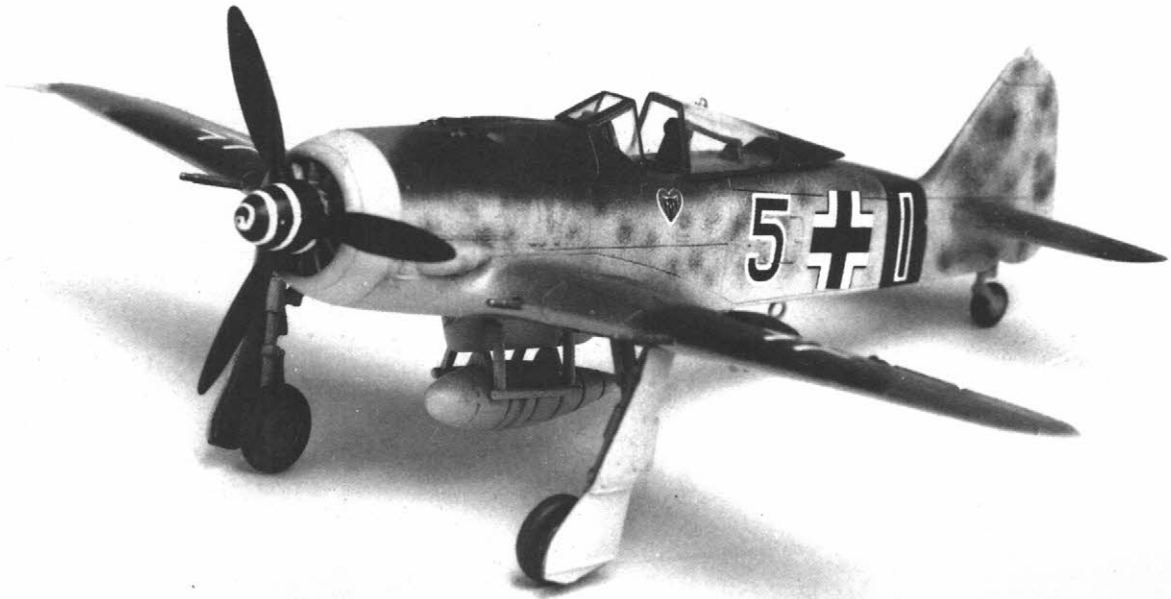
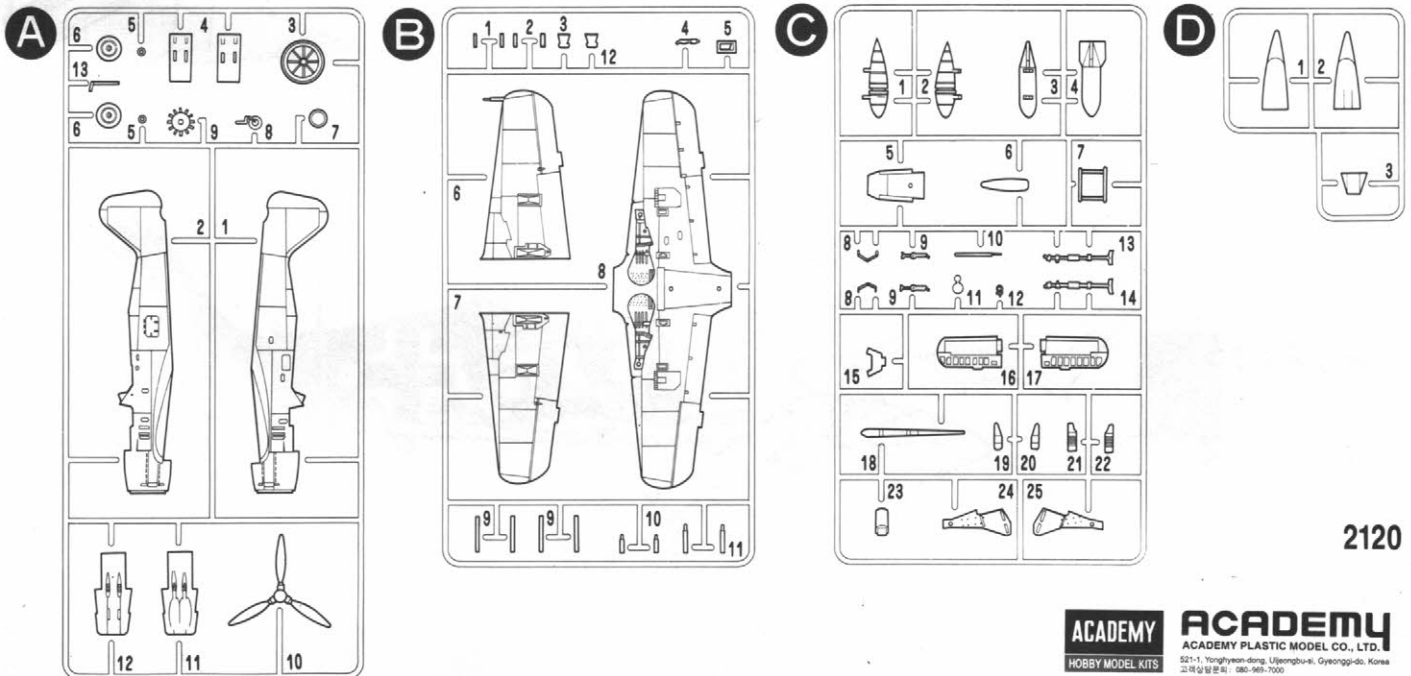


# FOCKE-WULF FW190A6/8



The Focke-Wulf Fw 190A-8 Würger (Butcher Bird), was the last production version of the Fw 190 series with a radial engine. In 1944 over 1300 of these aircraft were built, more than any other Fw 190 version. The engine was an MW-50 boosted, (methanol-water), twin row, fourteen cylinder, BMW 801 D-2. This engine combination produced 1700 h.p. for take-off and up to 1440 h.p. at 18,700 feet. Normal armament was made up of two MG 151 cannons in each wing and two MG 131 cannons in the fuselage, however, a common addition to this was a WB 151/20 gun pack mounted under each wing. When an Fw 190A-8 was fitted with these gun packs they were redesignated as Fw 190A-8/R-1. The decals in this kit are for an Fw 190A-8 of the III/JG "Grün Herz".



2120

**ACADEMY** **ACADEMY**  
 HOBBY MODEL KITS ACADEMY PLASTIC MODEL CO., LTD.  
521-1, Yonghyun-dong, Uijeongbu-si, Gyeonggi-do, Korea  
 2018년 1월 1일 발행 / 010-969-7000



Cement Parts  
 Collier  
 Kleben  
 Pegar  
 Incollare  
 Colar  
 Kleven



DO NOT cement  
 Ne pas collier  
 Nicht kleben  
 No pegar  
 Non incollare  
 Nao colar  
 Niet kleven



Cut away  
 Couper  
 Scheiden  
 Cortar  
 Tagliare  
 Cortar  
 Snijden



Optional parts  
 Choix  
 Auswahlmöglichkeit  
 Eleccion  
 Scelta  
 Opcao  
 Keuze



3

Repeat operation  
 Répéter l'opération  
 Vorgang wiederholen  
 Repetir la operación  
 Ripetere  
 Repetir a operação  
 Herhalen

# 1. Cockpit



FLAT BLACK

B4

SILVER



C23 DARK GRAY

C5 DARK GRAY

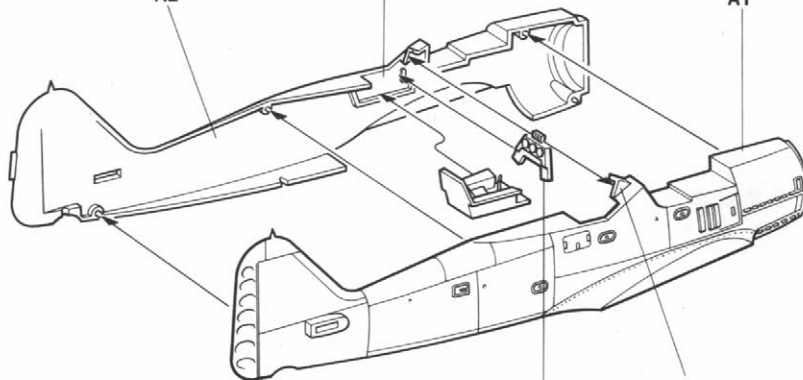
# 2. Interior



DARK GRAY inside

A2

A1

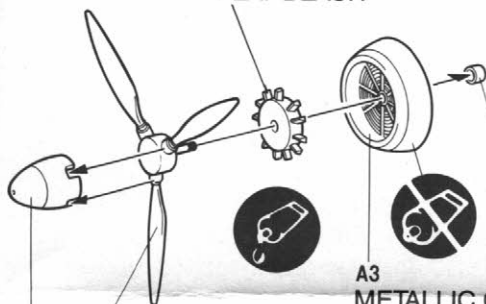


DARK GRAY

C15 DARK GRAY

# 3. Engine

A9 FLAT BLACK



A7 A10 FLAT BLACK

A3 METALLIC GRAY inside

C11

# 4. Fuselage

GUNMETAL A12



A6 Version

DARK GRAY

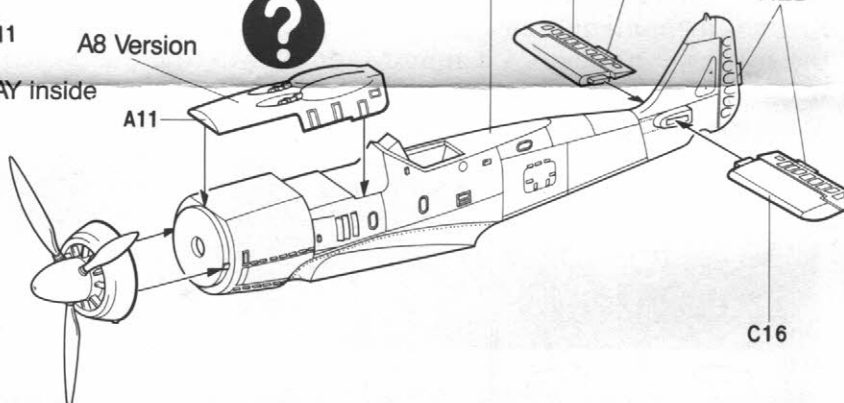
C17 RED

A8 Version



A11

RED



C16

# 5. Wing

RED

B6

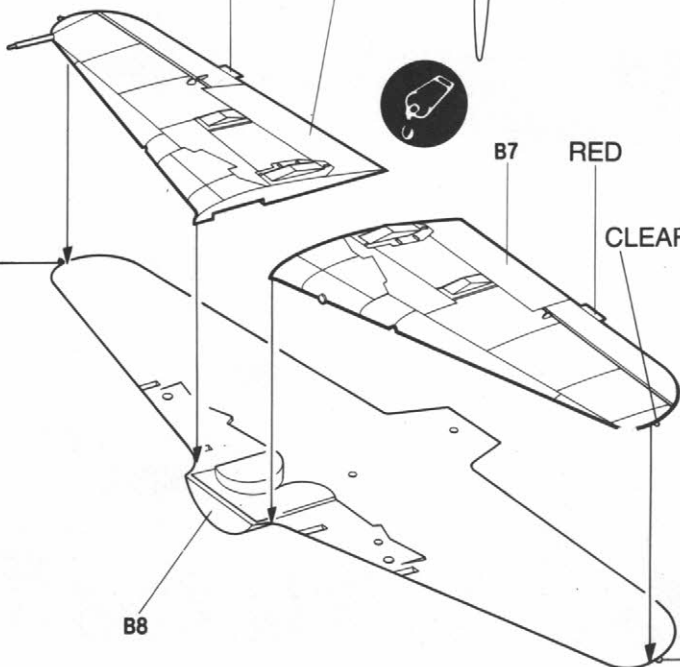


B7

RED

CLEAR RED

CLEAR GREEN

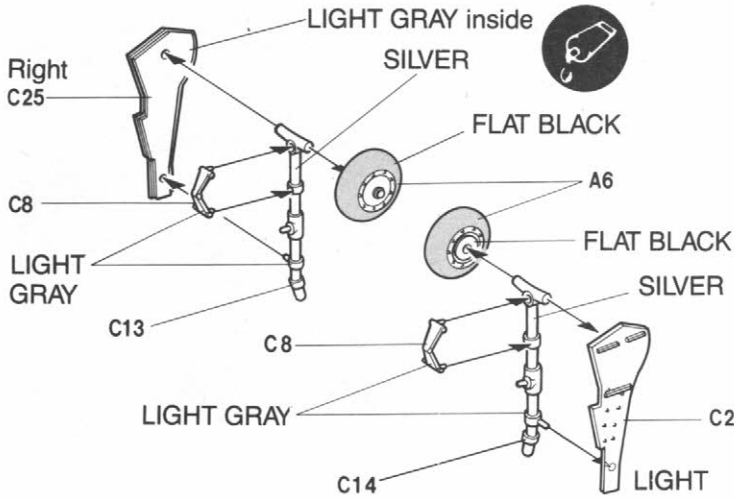


B8

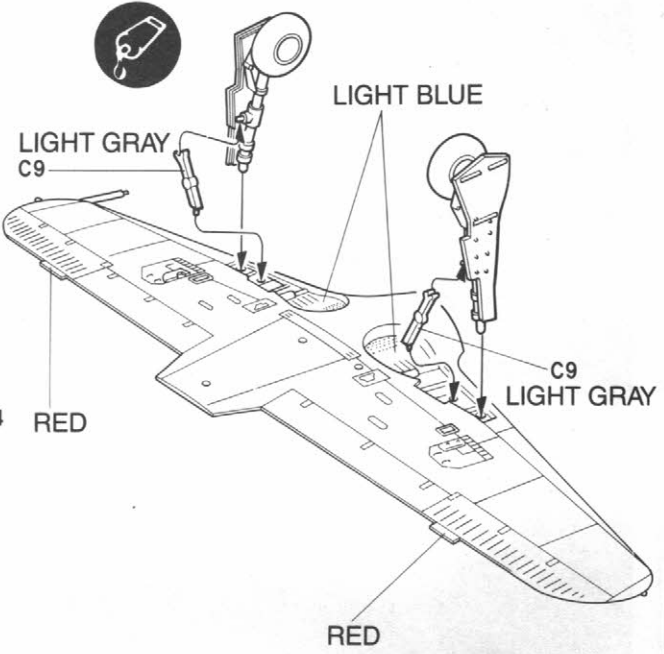
CLEAR RED

2120

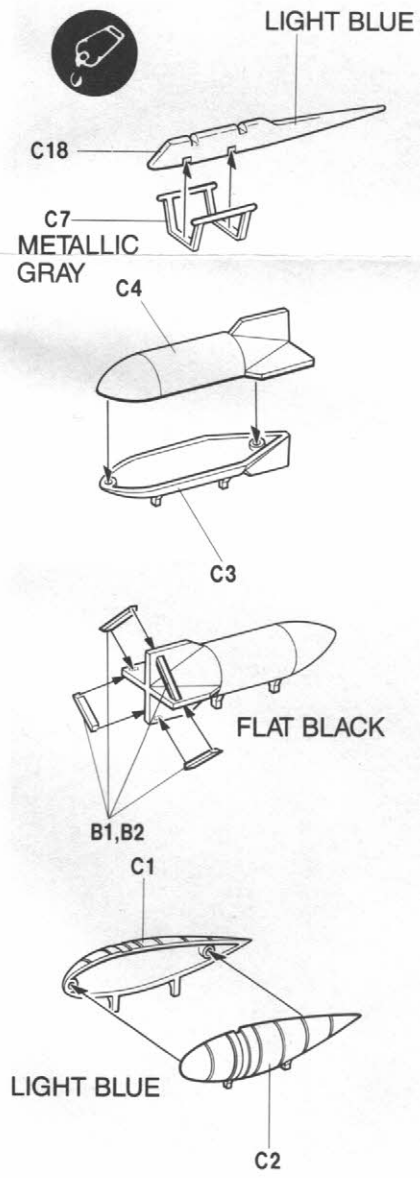
## 6. Landing Gear



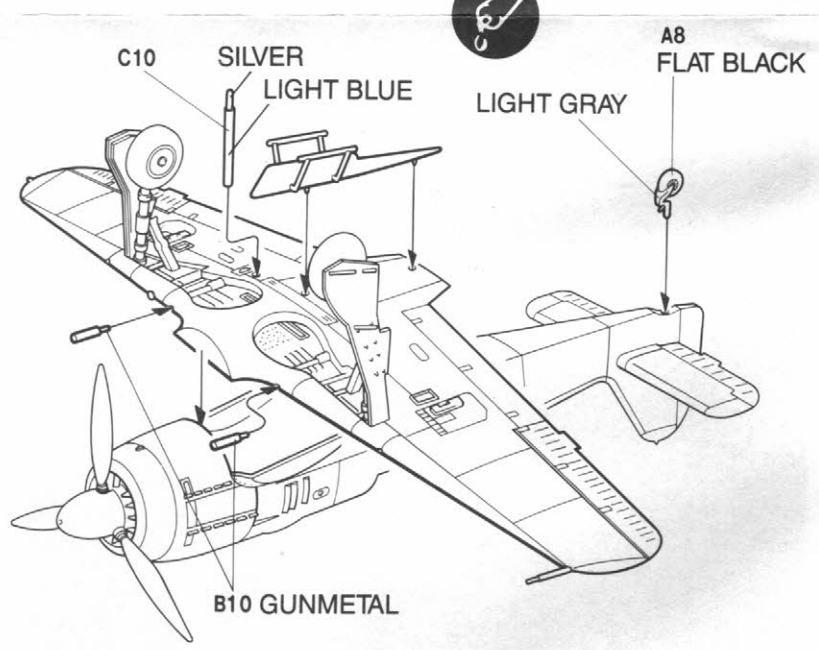
## 7. Landing Gear Attachment



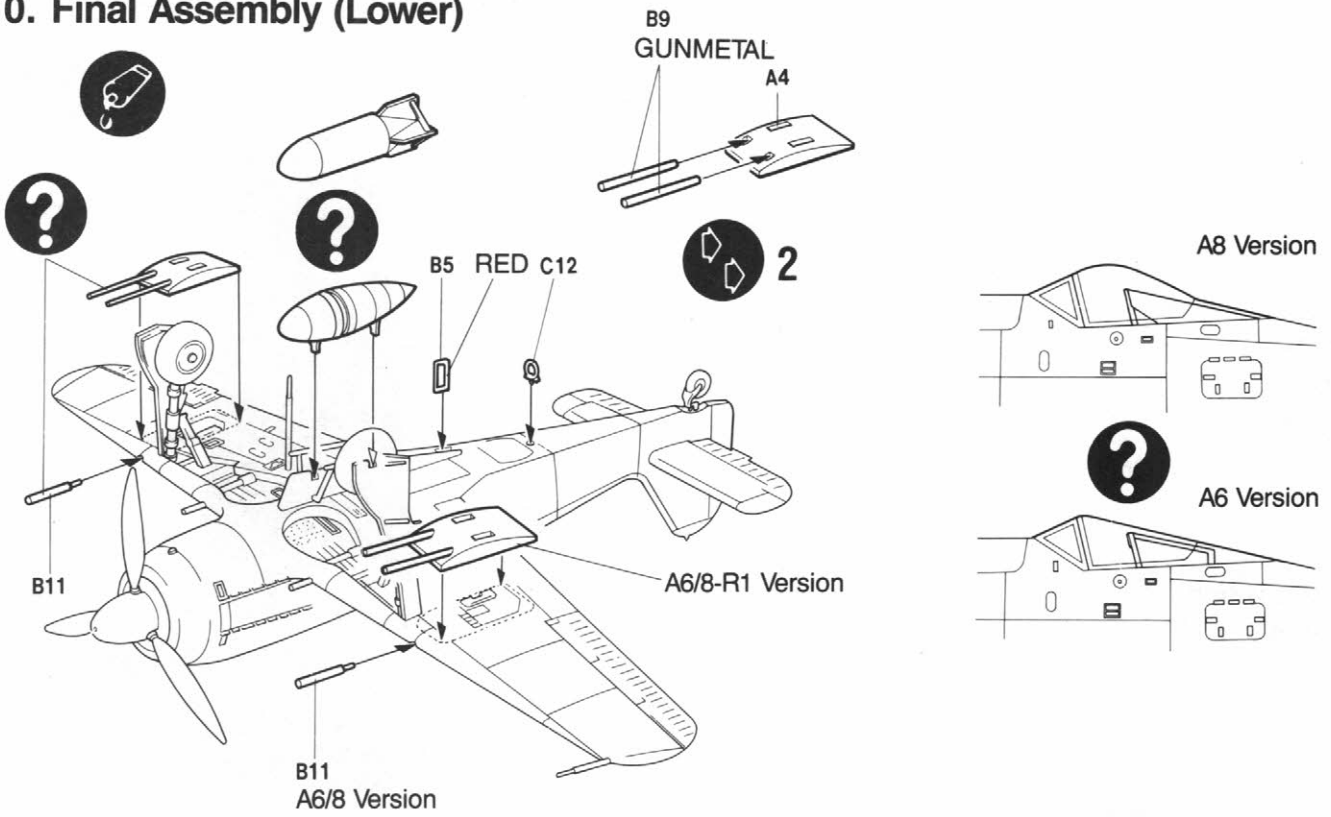
## 8. Drop Tank/Bomb



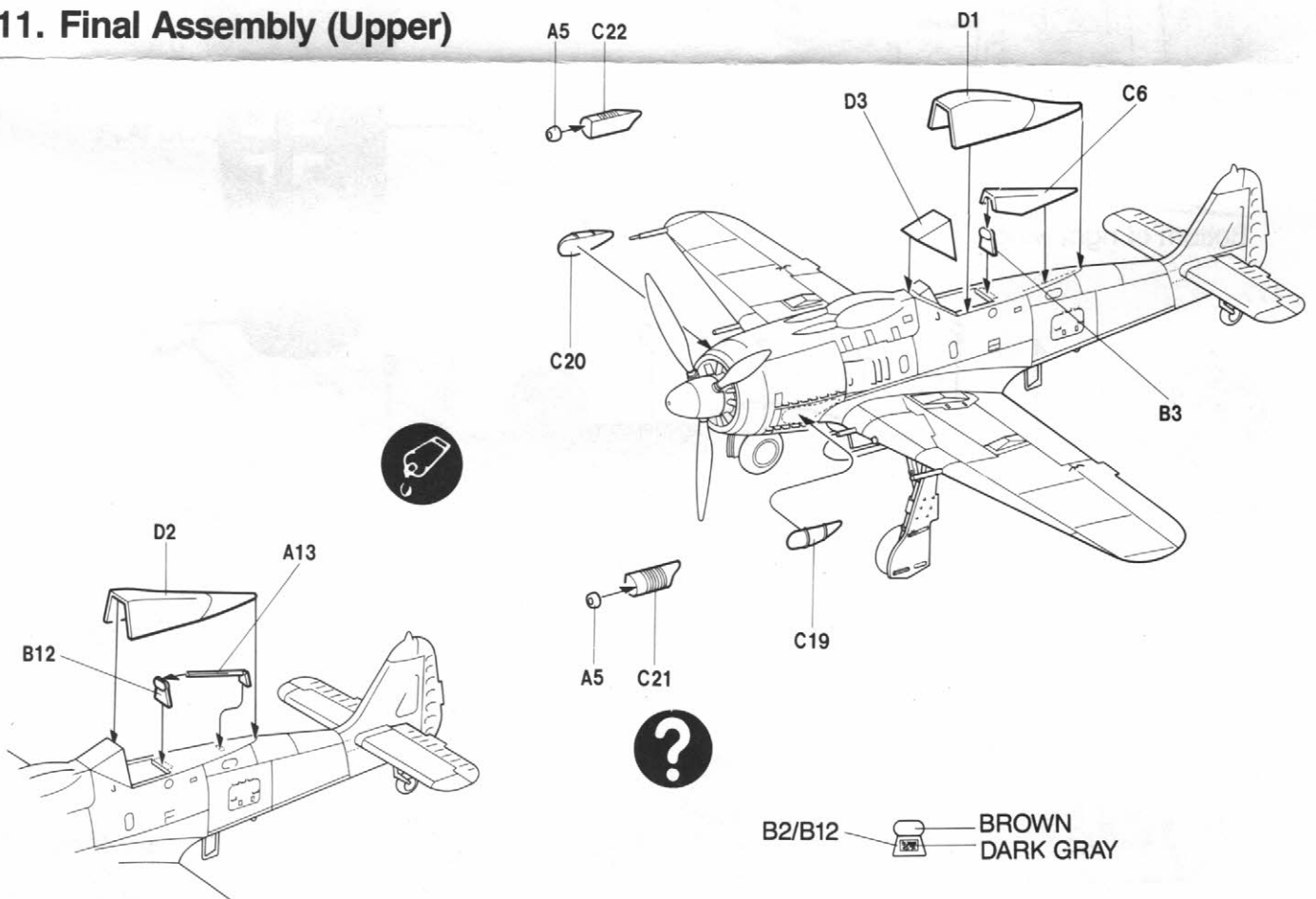
## 9. Wing Attachment



# 10. Final Assembly (Lower)



# 11. Final Assembly (Upper)

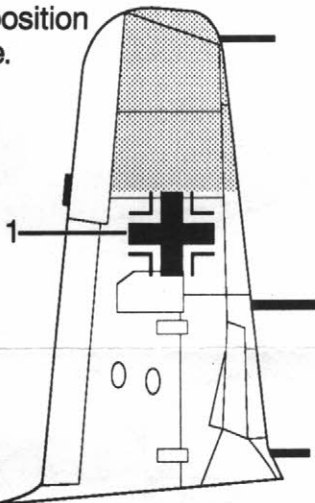


# Painting and Decal Placement.

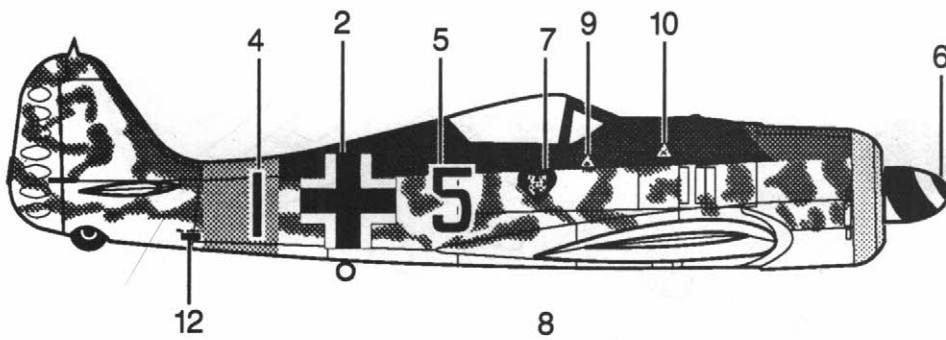
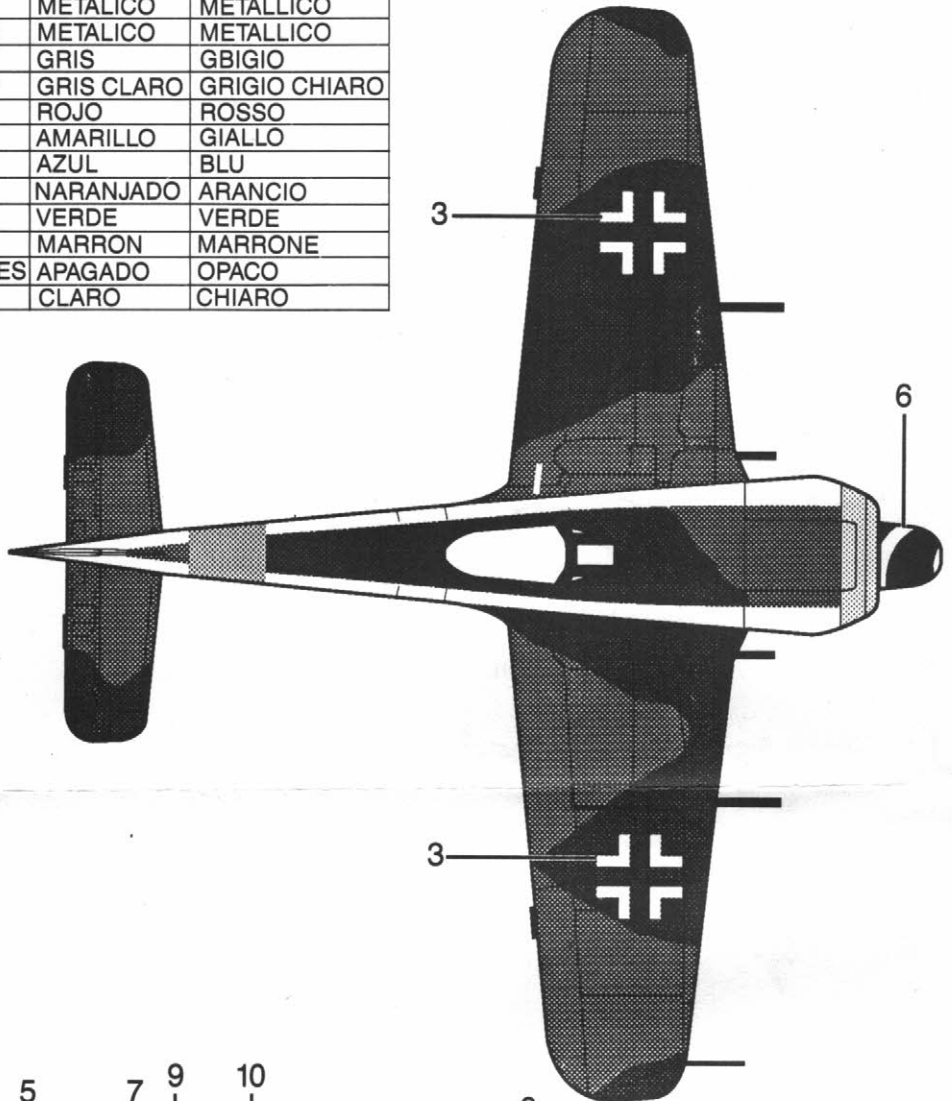
ENGLISH	FRENCH	GERMAN	SPANISH	ITALIAN
BLACK	NOIR	SCHWARZ	NEGRO	NERO
SILVER	ARGENT	SILBERN	PLATA	ARGENTO
GUNMETAL	METALLIC	METALLIC	METALICO	METALLICO
METALLIC	METALLIC	METALLIEK	METALICO	METALLICO
GRAY	GRIS	GRAU	GRIS	GBIGIO
LT GRAY	GRIS CLAIR	HELLGRAU	GRIS CLARO	GRIGIO CHIARO
RED	ROUGE	ROT	ROJO	ROSSO
YELLOW	JAUNE	GELB	AMARILLO	GIALLO
BLUE	BLEU	BLAU	AZUL	BLU
ORANGE	ORANGE	ORANGE	NARANJADO	ARANCIO
GREEN	VERT	GRUN	VERDE	VERDE
BROWN	BRUN	BRAUN	MARRON	MARRONE
FLAT	TERNE	GLANZLOSES	APAGADO	OPACO
CLEAR	CLAIR	KLAR	CLARO	CHIARO

© 1992 Minicraft Models Inc.

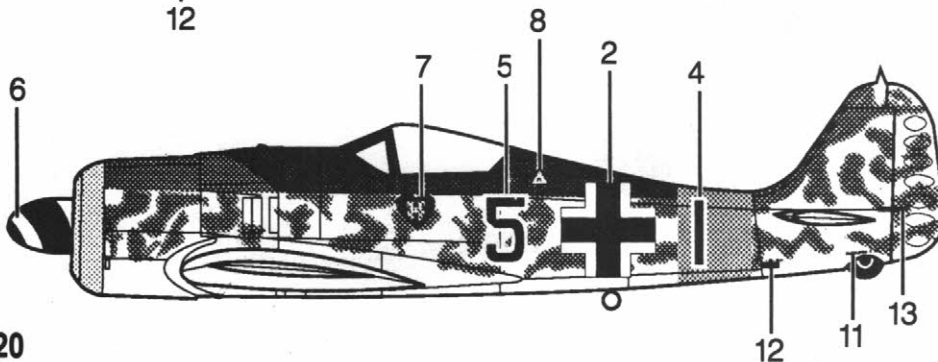
Same position  
left side.



Bottom of right wing.



-  Black Green
-  Dark Green
-  Blue
-  Orange
-  Light Blue.



2120

**ACADEMY**  
HOBBY MODEL KITS

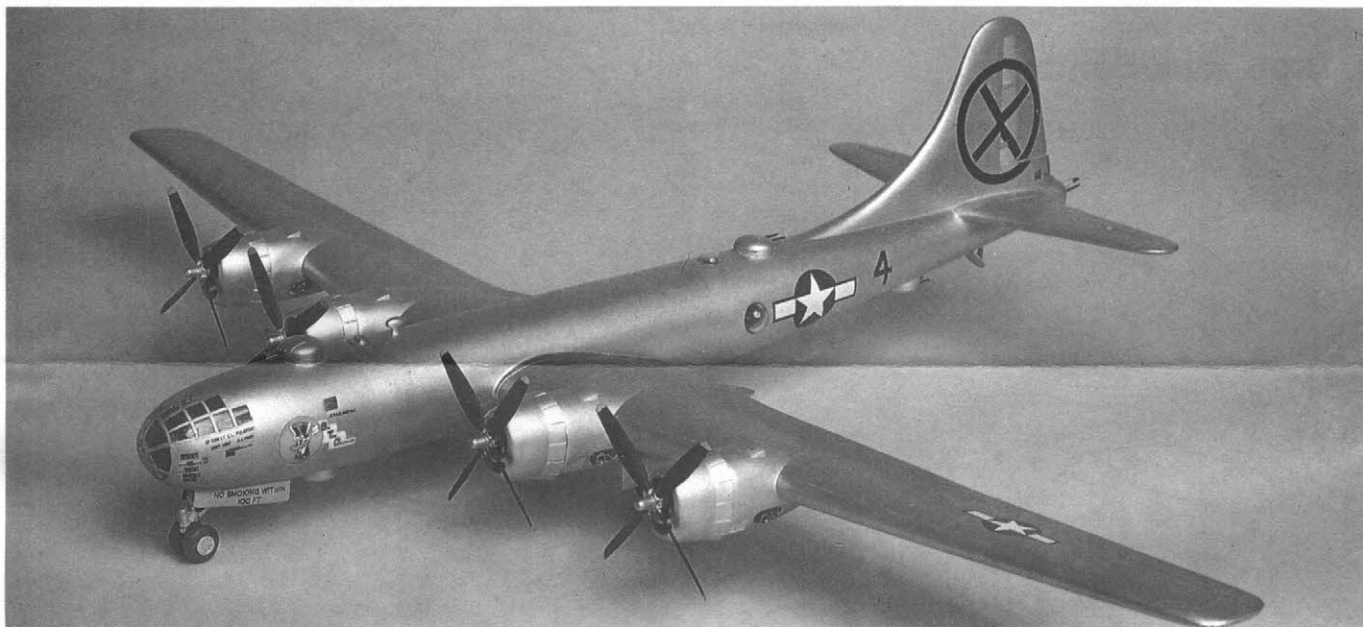


# W.W.II U.S FAMOUS FIGHTER & BOMBER



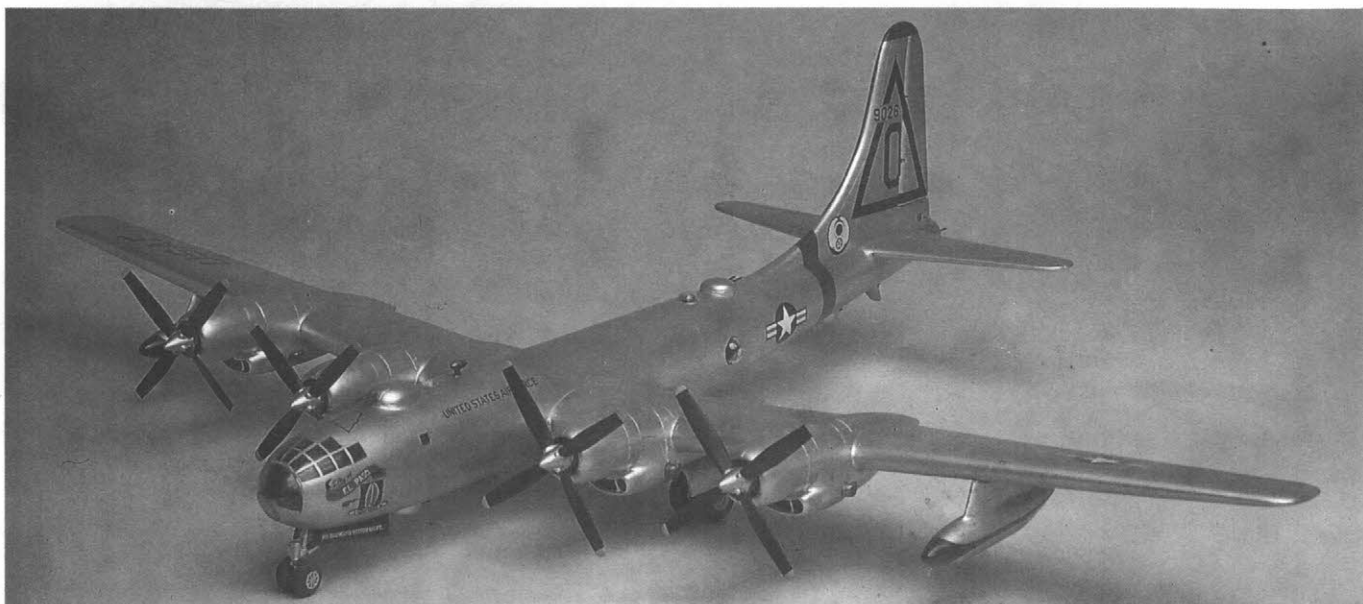
1/72 F6F-3/5 HELLCAT

2121



1/72 BOEING B-29A SUPERFORTRESS

2111



1/72 BOEING B-50D SUPERFORTRESS

2112