



82404 Swedish Strv.122 Tank 1/35

瑞典Strv. 122主战坦克

PLEASE READ BEFORE OPERATION!

- * Tools recommended as below: (Not included)
Adhesives; Paints; Side Cutters; Sharp Edged Pliers; Modeling Knife; Modeling File; Nippers; Drill; Scissors; Sand Paper; Soft Cloth; Cyanoacrylate Glue.
- * Make sure to read this instruction listed below before assembling.
- * The kit contains the small parts, they can be dangerous if swallowed by mistake, so keep them away from reach of children.
- * Cut the all parts off carefully and remove the waste parts into the garbage can.
- * More caution and care should be needed for cutting and handling the photo etched parts.
- * Make attention that some parts should be attached the decal when assembled.
- * During assembling, please tear up and throw away the plastic bags, or may cause the dangerous if wearing over head by children's mistake.
- * When using the adhesives and paints, please do not use them in the closed room or near the fire, also must be very careful to protect your eyes, face and clothes.
- * Adult supervised when assembled by children under 14 years old.

装配前请仔细阅读:

- * 推荐使用的模型工具(请自备):
专用模型胶水, 专用模型油漆, 水口剪刀, 长咀钳, 刀片, 锉刀, 镊子钳, 钻, 剪刀, 软布, 砂纸, 瞬间快干胶等。
- * 用水口剪刀或刀片小心切下所有塑胶零件和蚀刻片零件, 不要遗失小零件。
- * 切取蚀刻片时应特别注意防止利边划伤手指。
- * 用模型锉刀小心锉平所有零件表面的注射浇口。
- * 用适量的强力快干胶水粘合蚀刻片零件和金属轴, 切忌过量, 否则可能导致可动零件被粘住。
- * 注意某些零件表面需在装配时同步贴水上贴纸。
- * 制作时应远离幼儿并将包装袋及时收妥, 谨防小孩玩耍而引起意外。



cyanoacrylate glue
强力胶



weight
配重



make hole
钻孔



cut / remove
切除



option
选择



no cement
不涂胶水



decal
贴纸



bend
弯曲

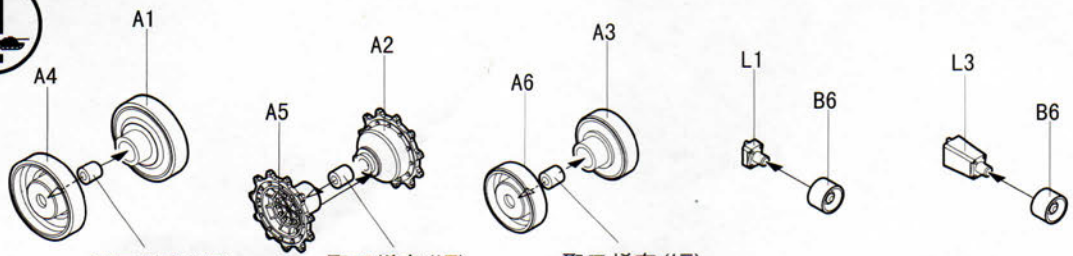
The method to apply the decals

1. Cut off the decal from the decal paper and put it into the warm water 40°C for 10 seconds.
2. Take the decal from the water and put it on a piece of clean cloth.
3. Remove the decal slowly from the paper to the targeted location by a wet finger.
4. Use a piece of dry and soft cloth to press it gently on the decal until it getting dry and no bubble existing.

水贴纸的使用方法:

- 一. 把相关的印花从水贴纸上剪下, 放入40°C左右的温水中浸10秒。
- 二. 然后将印花放在干净的布上。
- 三. 拿上印花纸板, 手指蘸水将印花移到适当的位置。
- 四. 用软干布轻压印花直至水干, 气泡消失。

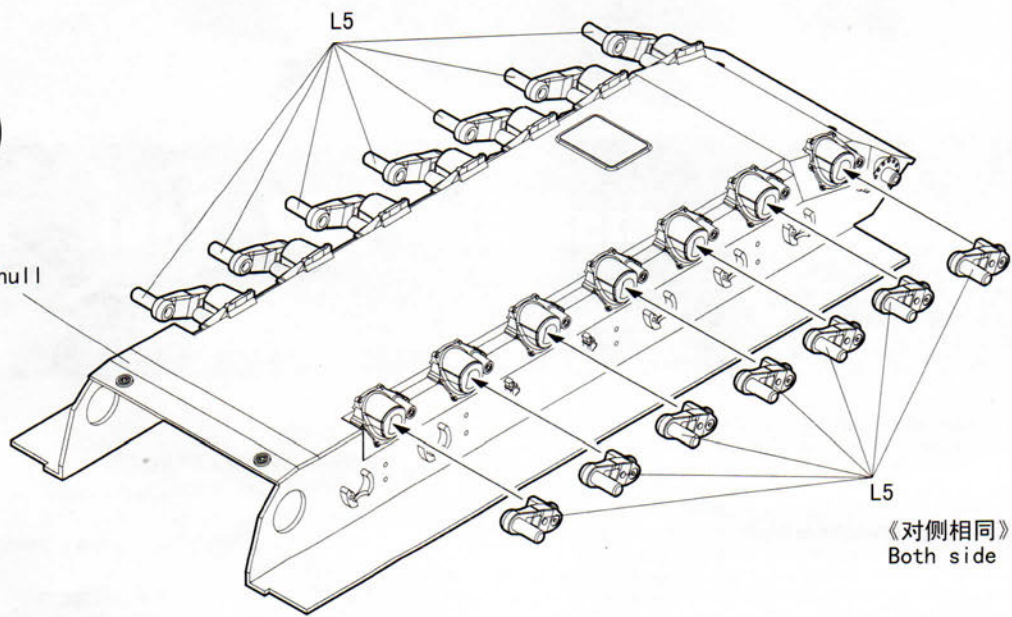
1
STEP



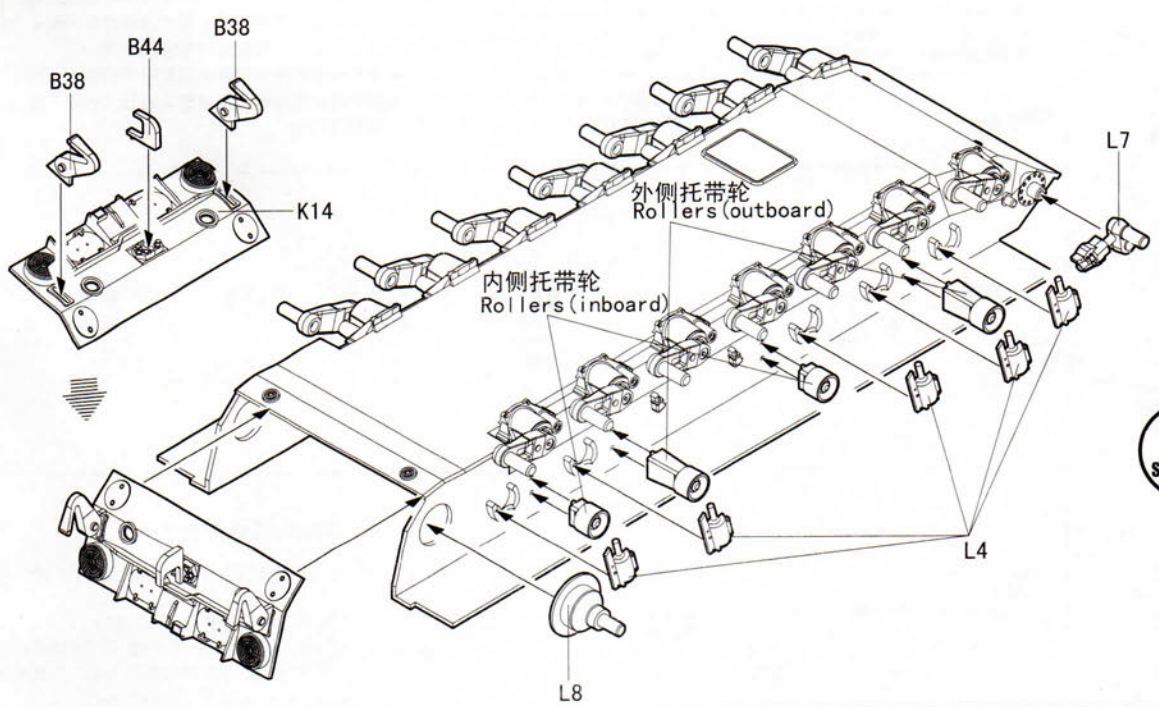
A4	A1	A5	A2	A6	A3	L1	B6	L3	B6
聚乙烯套(短)	聚乙烯套(短)	聚乙烯套(短)	聚乙烯套(短)	聚乙烯套(短)	聚乙烯套(短)	内侧托带轮	内侧托带轮	外侧托带轮	外侧托带轮
Poly cap (Short)	Poly cap (Short)	Poly cap (Short)	Poly cap (Short)	Poly cap (Short)	Poly cap (Short)	Rollers (inboard)	Rollers (inboard)	Rollers (outboard)	Rollers (outboard)
负重轮	主动轮	诱导轮	主动轮	诱导轮	诱导轮	Rollers (inboard)	Rollers (inboard)	Rollers (outboard)	Rollers (outboard)
Road wheels	Sprocket wheels	Idler wheels	Sprocket wheels	Idler wheels	Idler wheels	制作4组	制作4组	制作4组	制作4组
制作14组	制作2组	制作2组	制作2组	制作2组	制作2组	Make four	Make four	Make four	Make four
Make fourteen	Make two	Make two	Make two	Make two	Make two				

2
STEP

车底
Lower hull

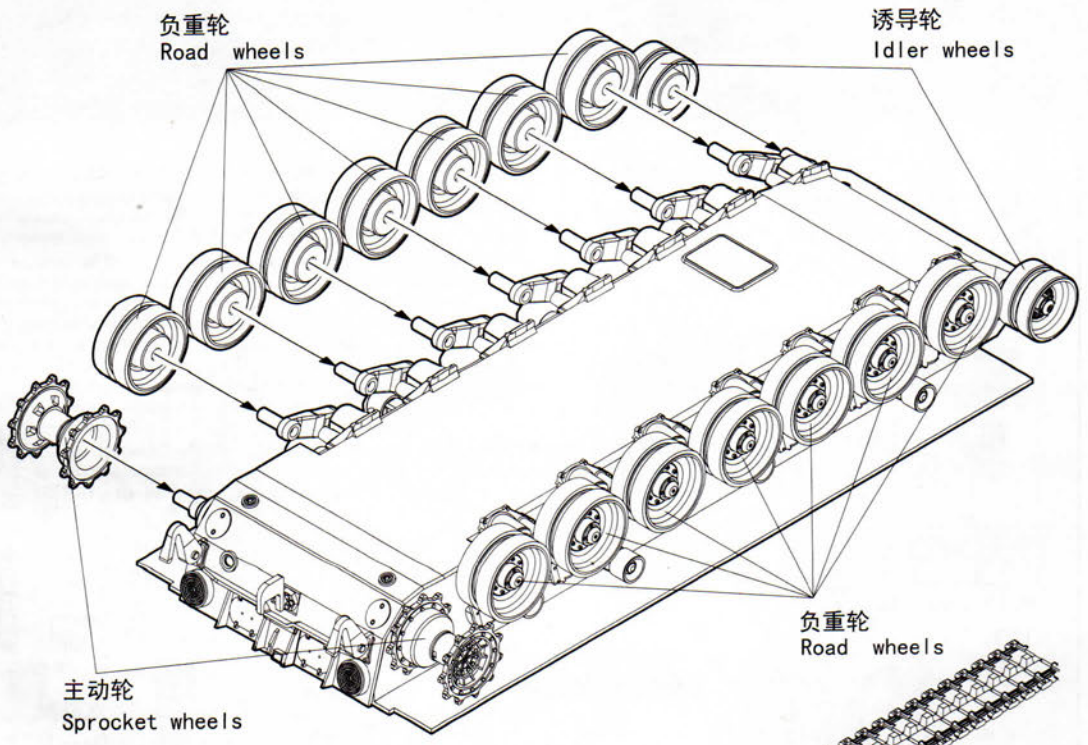
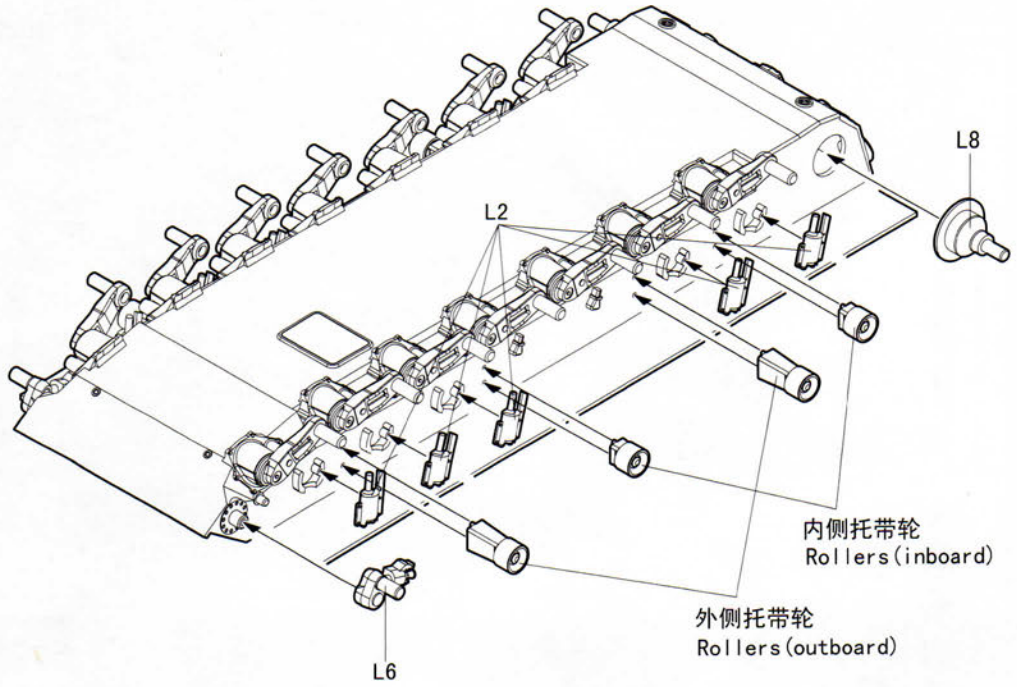


《对侧相同》
Both side



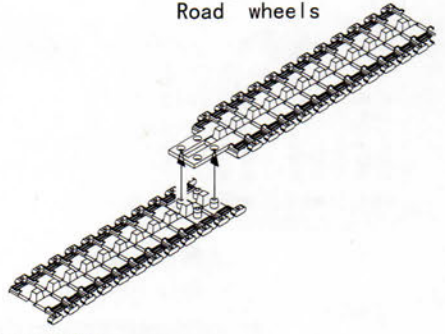
外侧托带轮
Rollers (outboard)

内侧托带轮
Rollers (inboard)

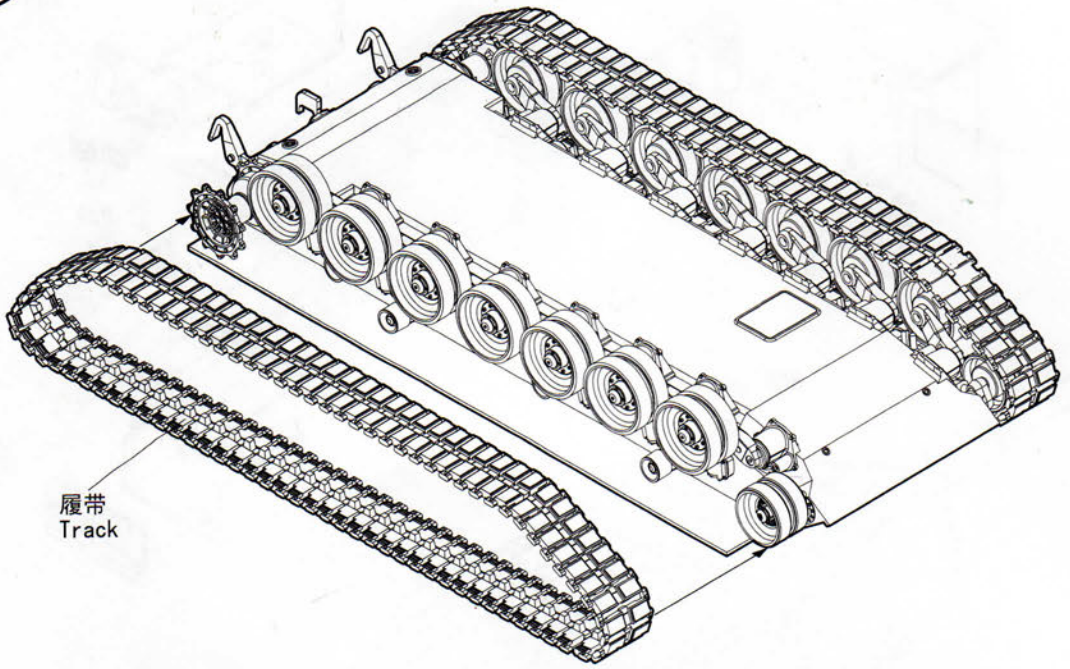


履带联接
Track construction

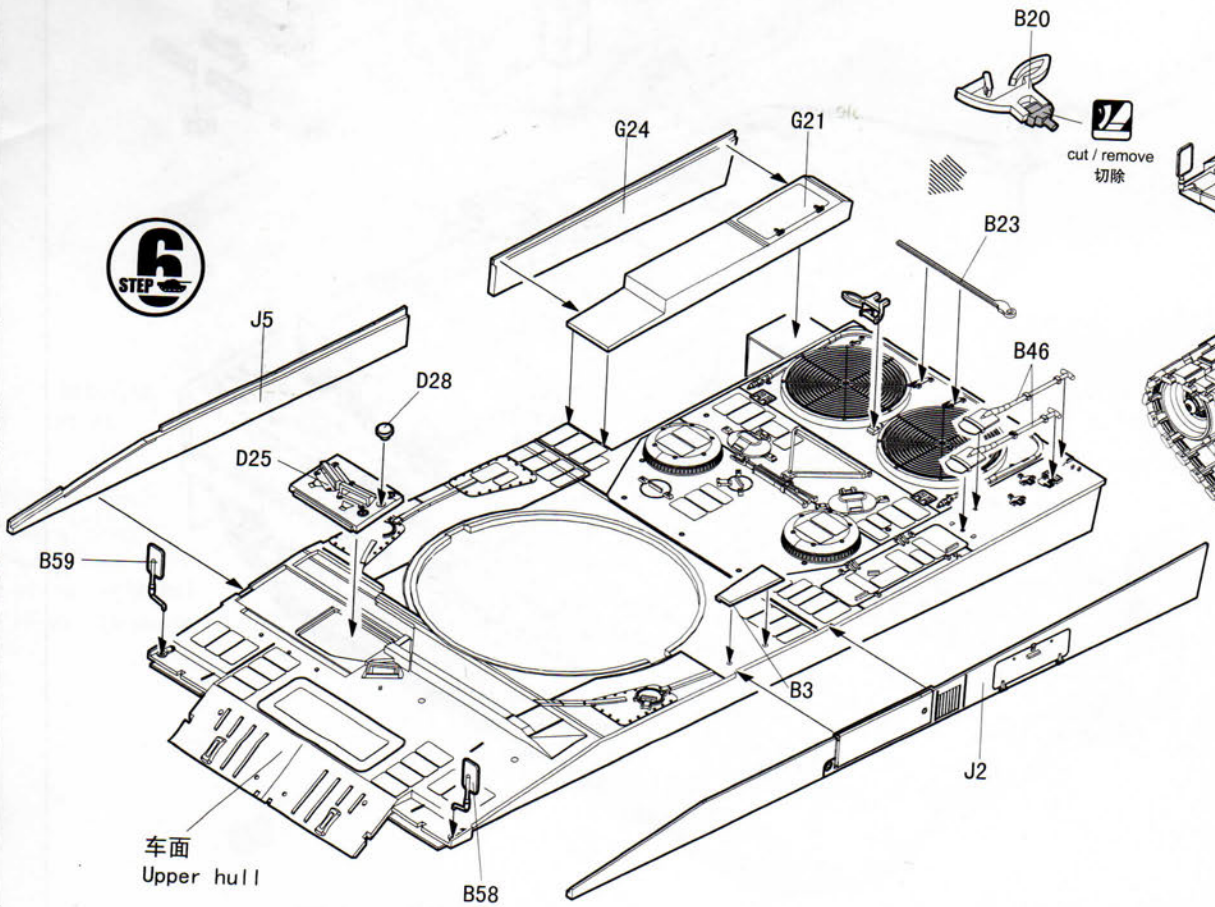
- *履带可用塑料胶水粘合。
- *履带可用模型油漆喷涂。
- *若履带断裂，用细丝线固定。
- *The tracks in this kit can be glued using plastic cement.
- *The tracks can be painted using plastic paints.
- *If track is broken strengthen with staples or thread.



5
STEP



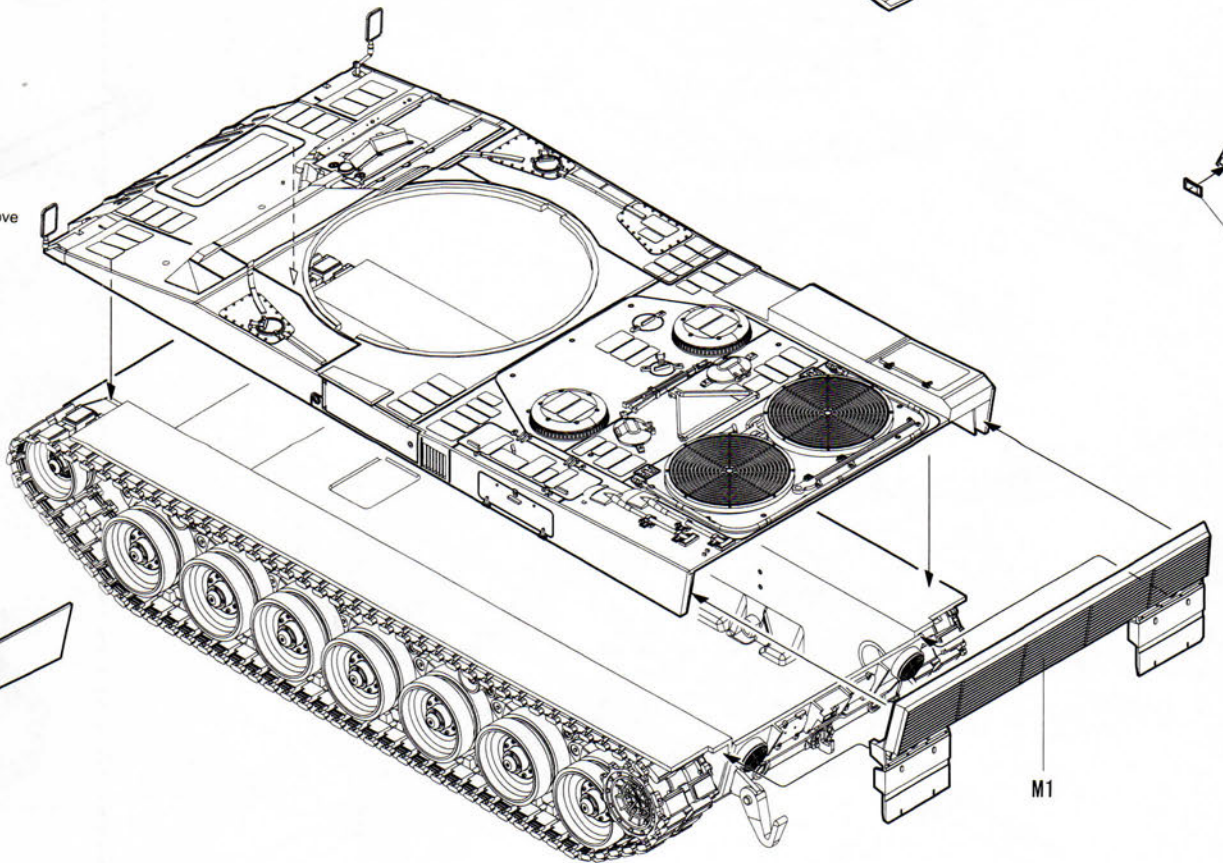
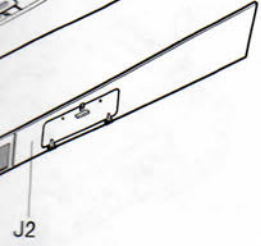
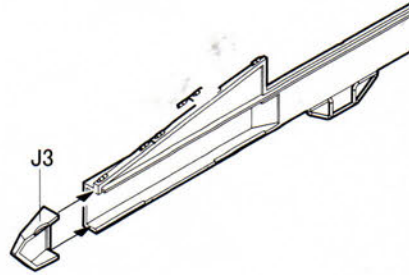
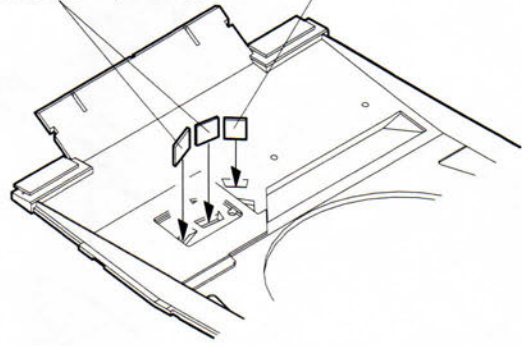
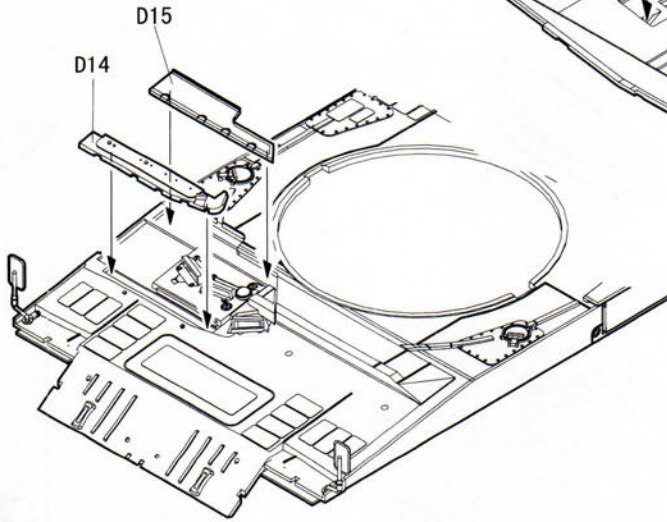
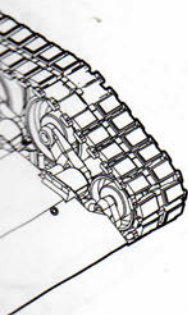
6
STEP



7
STEP

透明片 (B)
Transparent part (B)

透明片 (A)
Transparent part (A)





蚀刻片A10
PE-A10

蚀刻片A4
PE-A4



K4

(C)

(A)

* 首先装K5
First K5

(B)

K6

K5

K7

K10

K11

K13

K12

蚀刻片1
PE1

J1

(D)

D9

(A)

(B)

(C)

蚀刻片A9
PE-A9

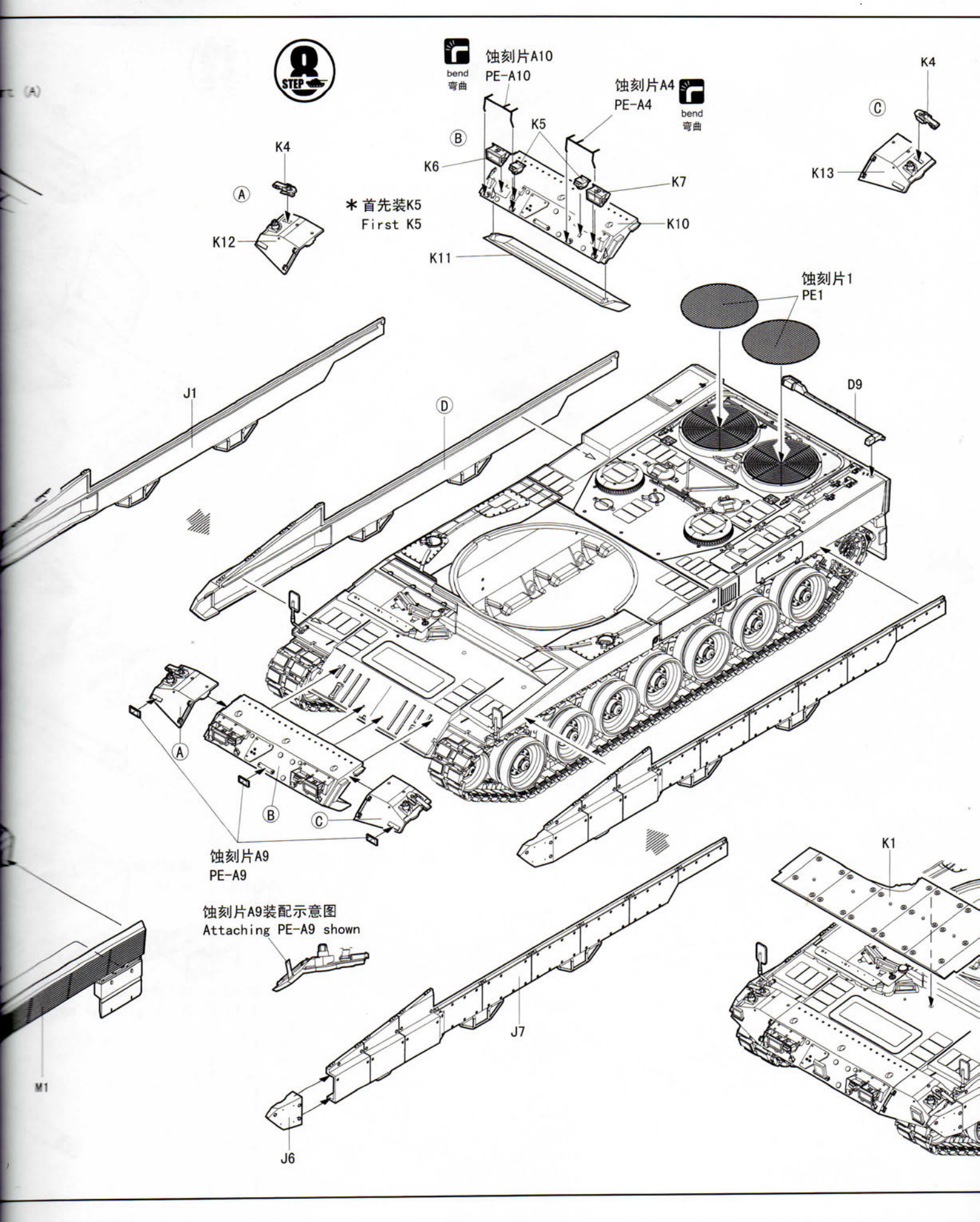
蚀刻片A9装配示意图
Attaching PE-A9 shown

K1

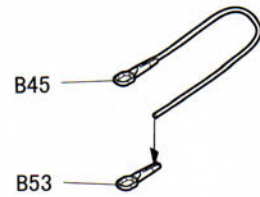
J7

J6

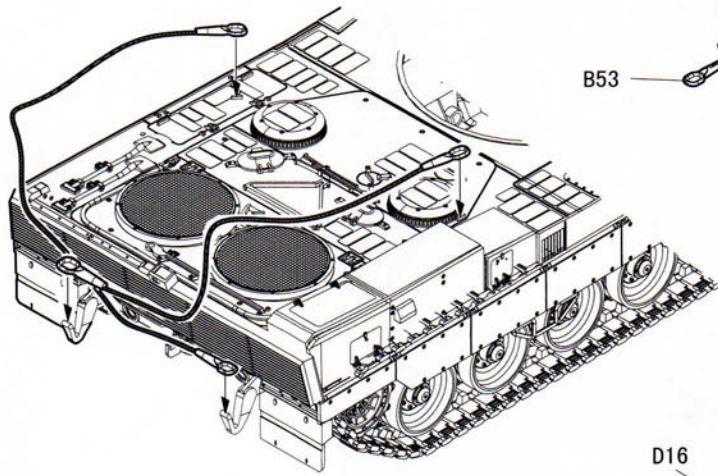
M1



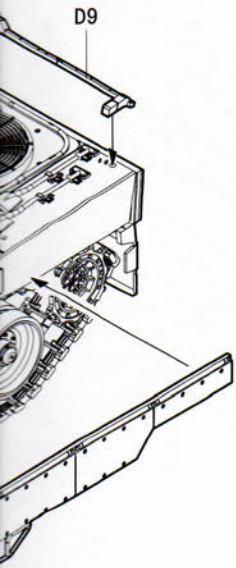
9
STEP



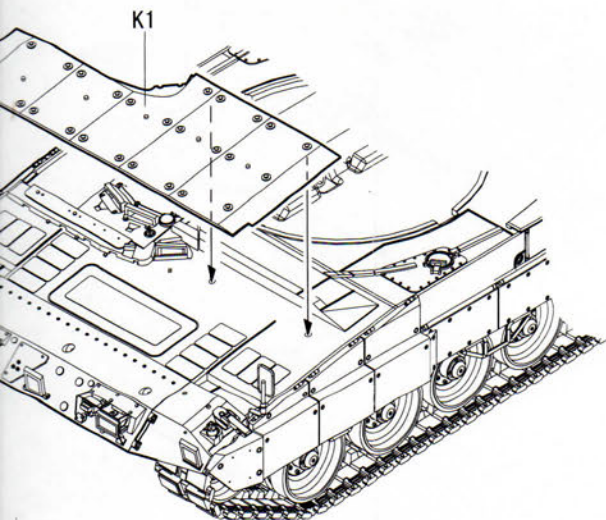
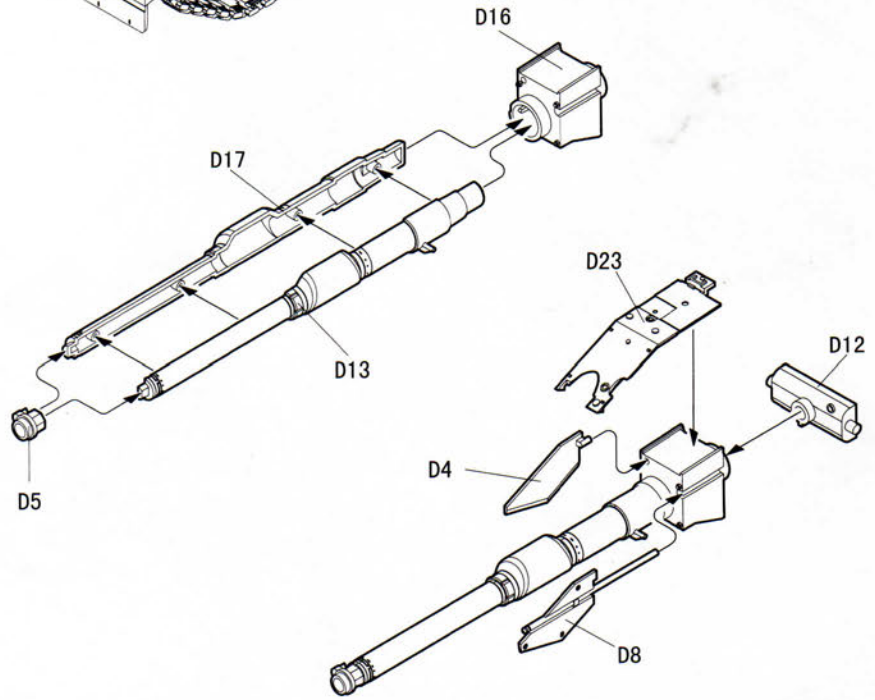
缆绳
Cable rope
Ø0.8*130mm
制作2组
Make Two



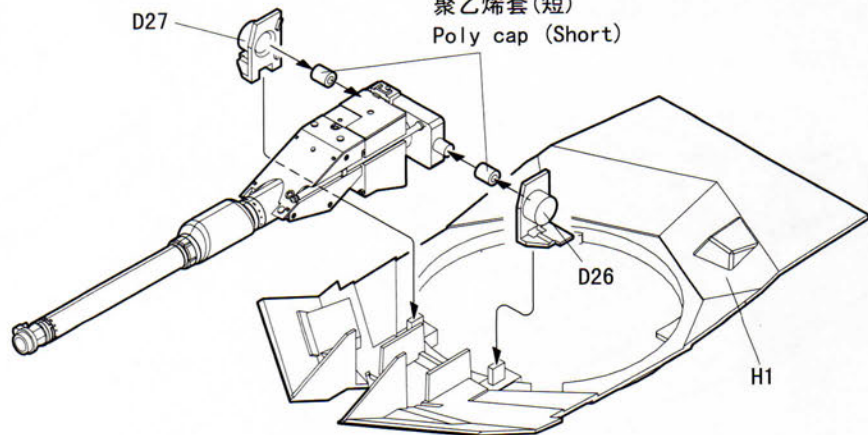
蚀刻片1
PE1



10
STEP

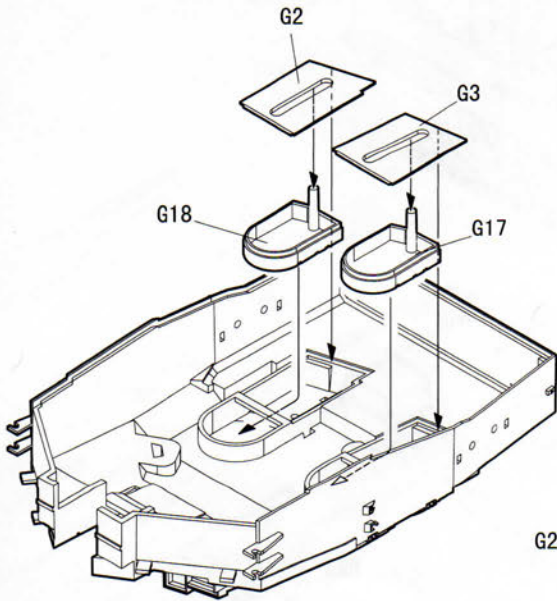
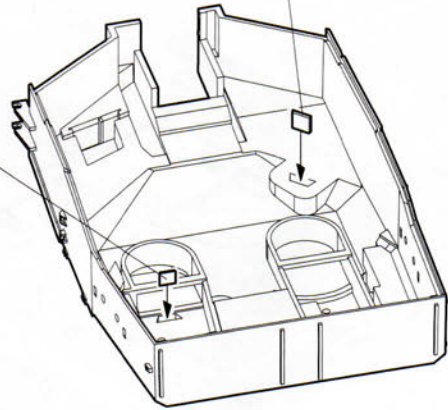


聚乙烯套(短)
Poly cap (Short)

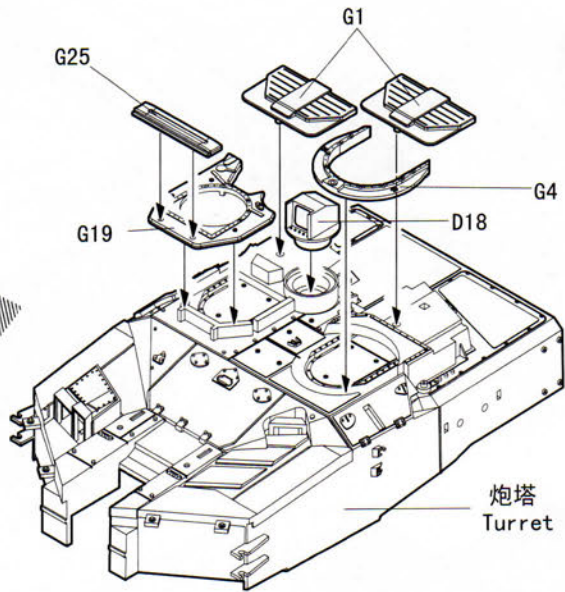


透明片(E)
Transparent part(E)

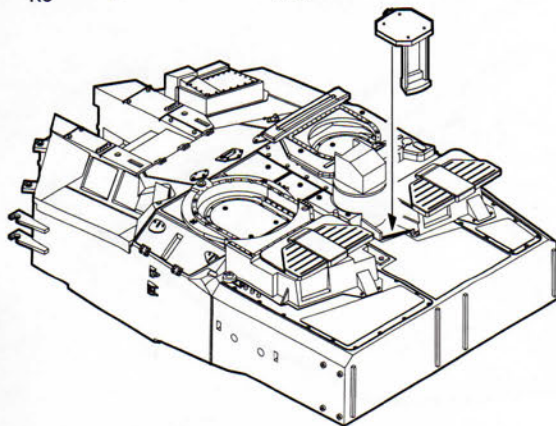
透明片(F)
Transparent part(F)

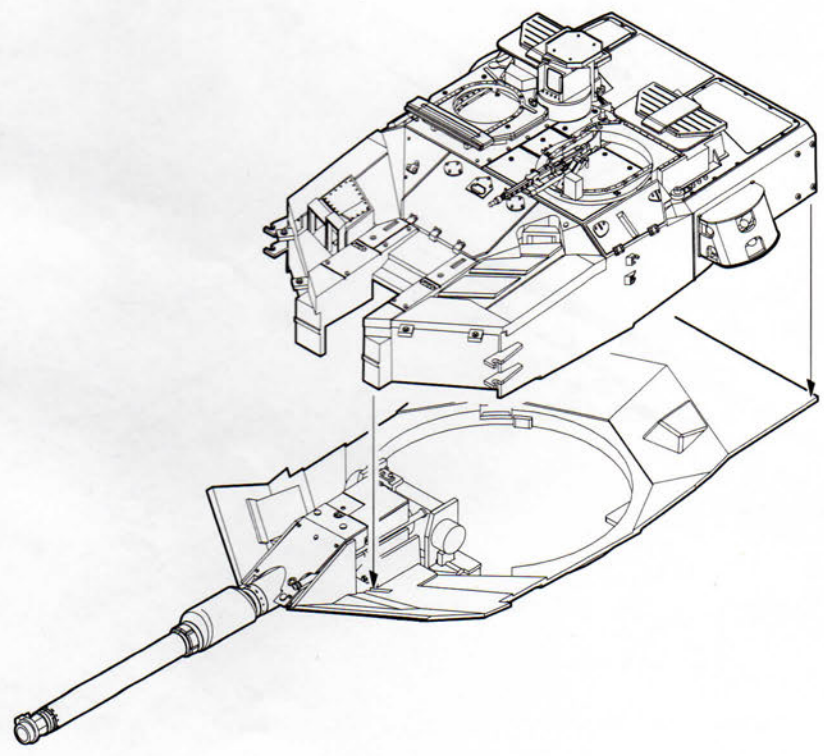
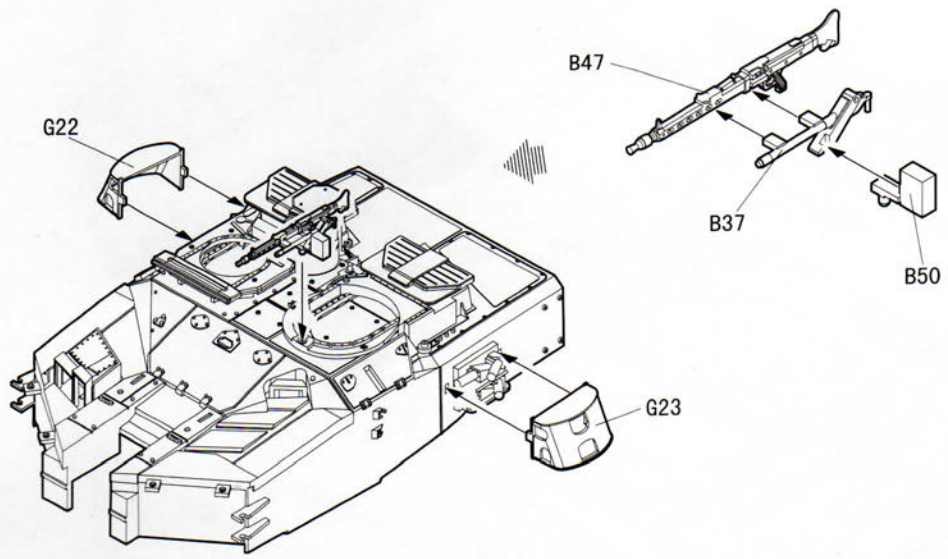
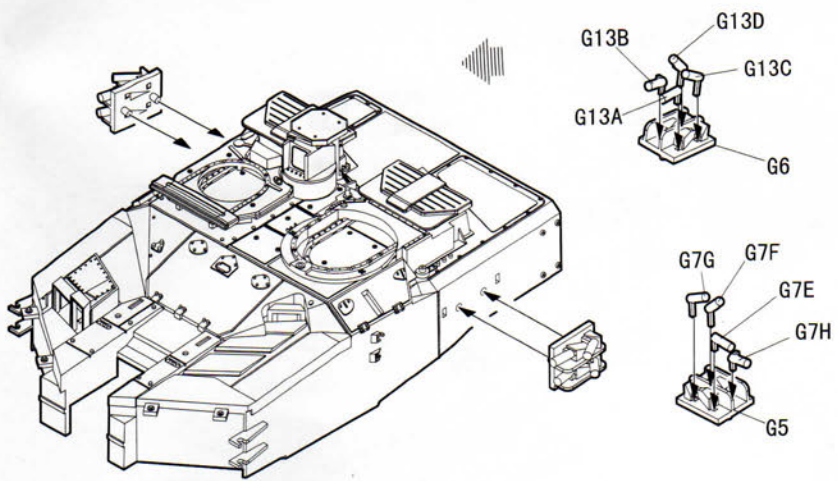


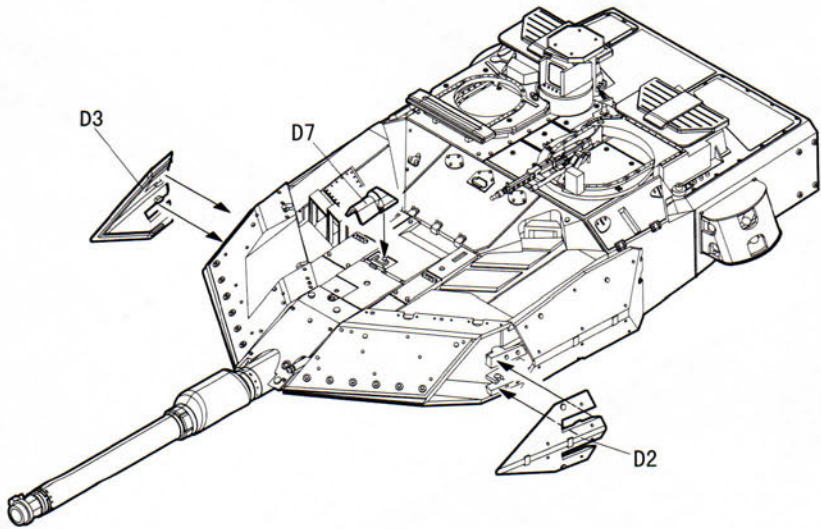
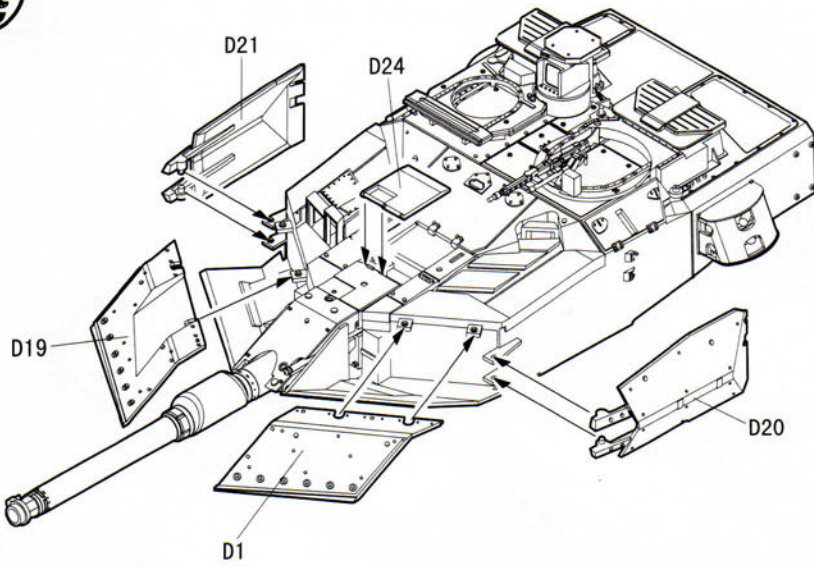
蚀刻片A5
PE-A5



K9
K3



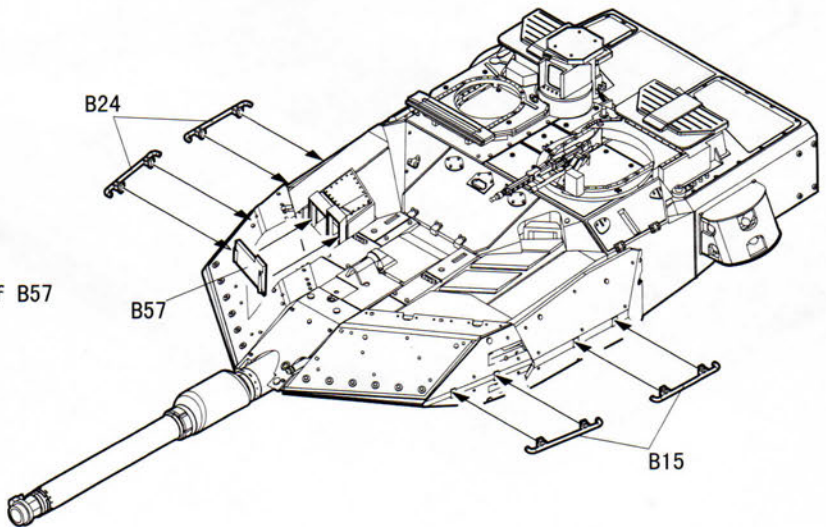




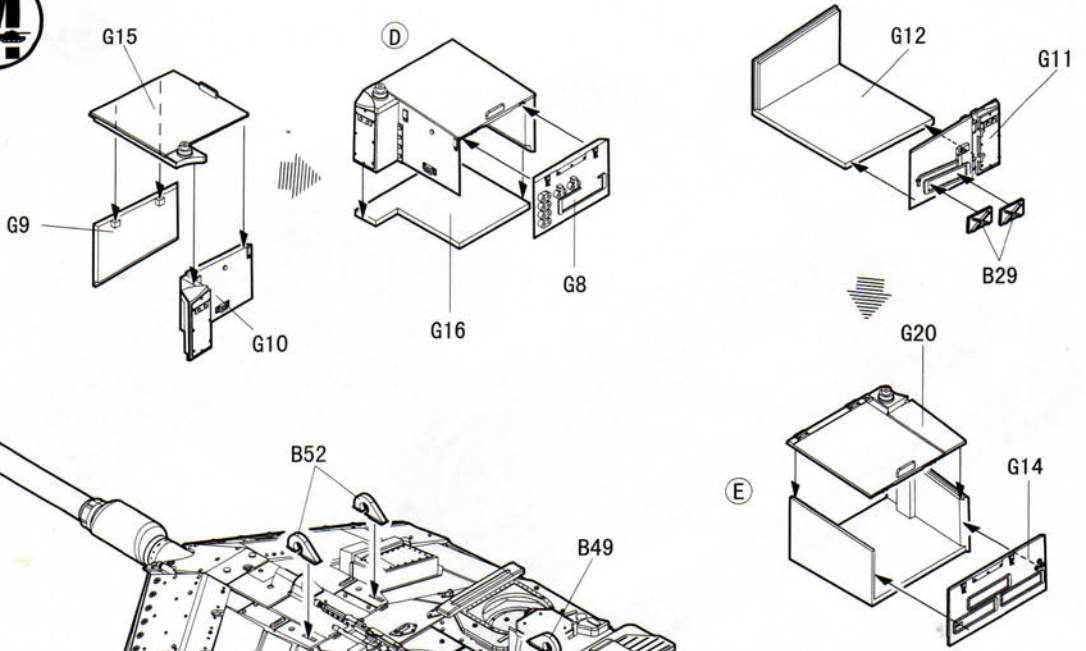
蚀刻片A7
PE-A7

蚀刻片A8
PE-A8

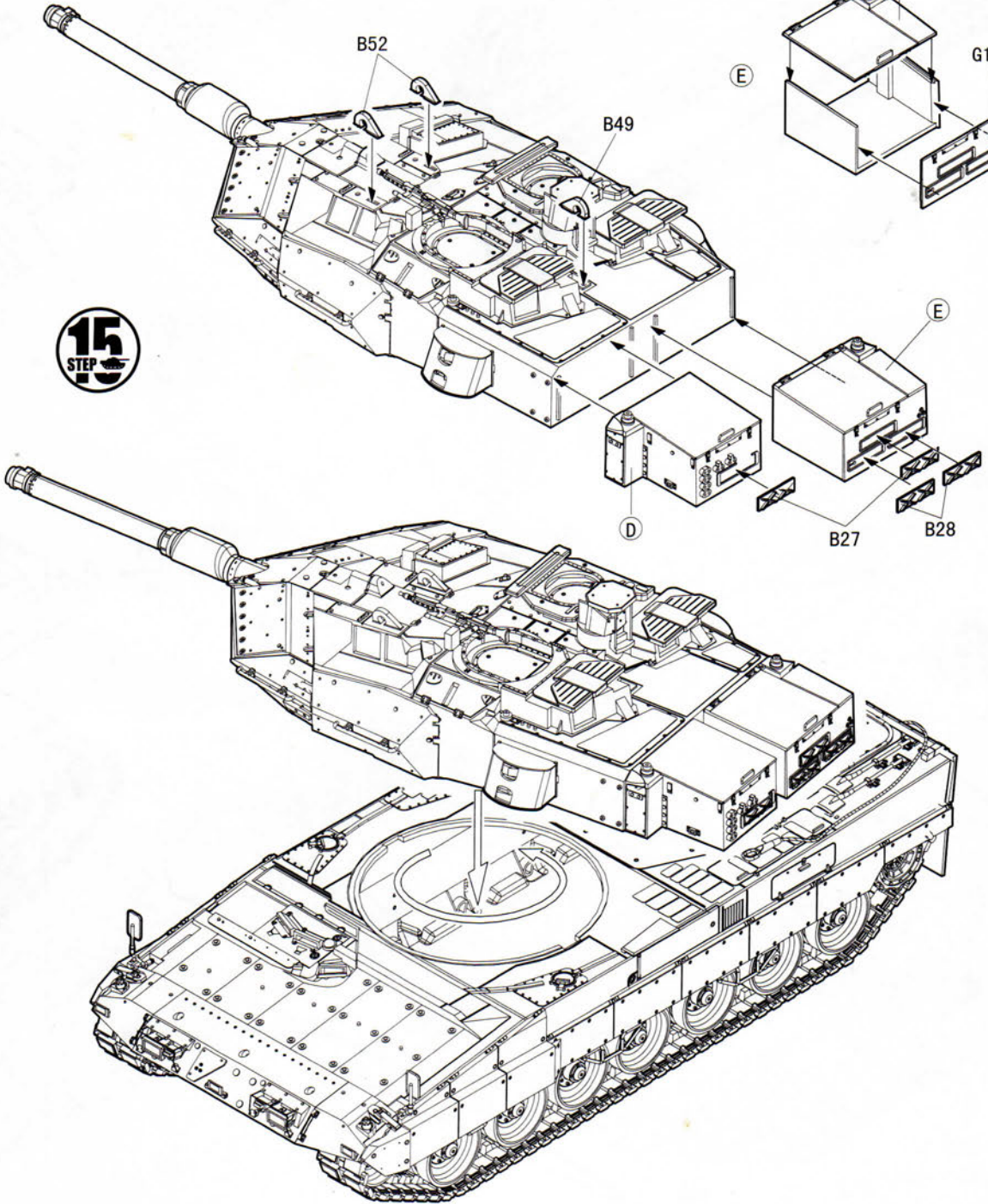
PE-A7. PE-A8 代替 B57
PE-A7. PE-A8 In place of B57



14
STEP



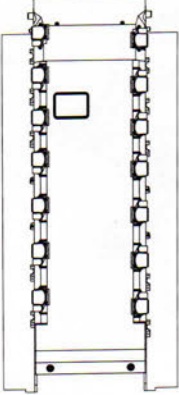
15
STEP



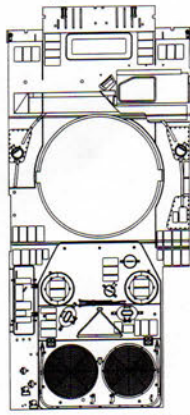
部品图

Parts

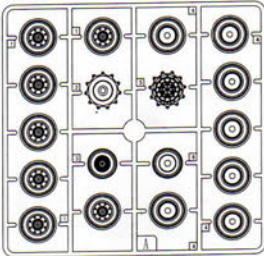
车底
Lower hull



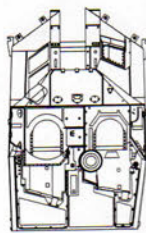
车面
Upper hull



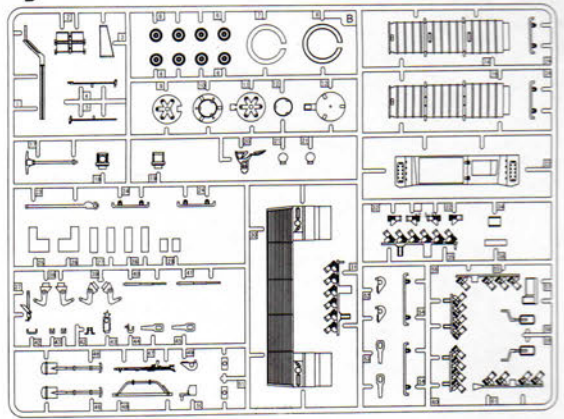
AX2



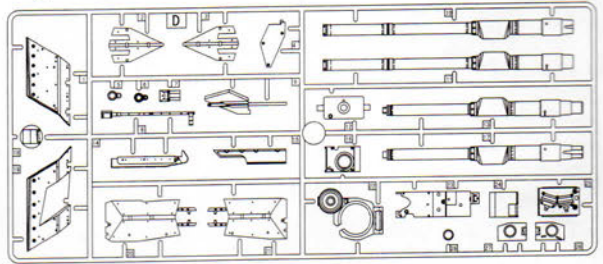
炮塔
Turret



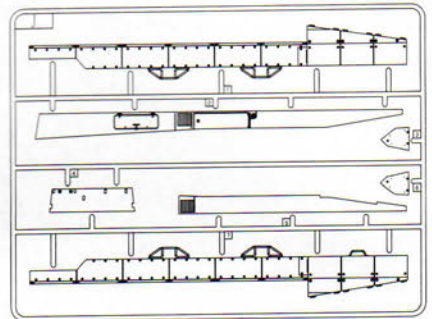
B



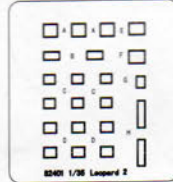
D



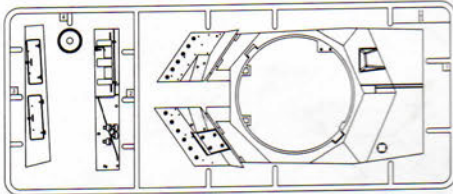
J



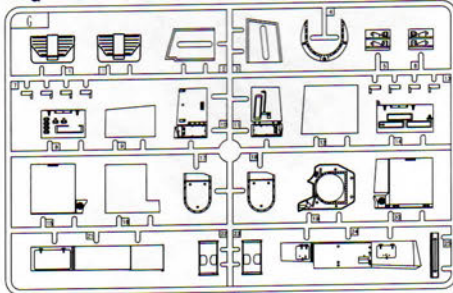
透明片
Transparent parts



H



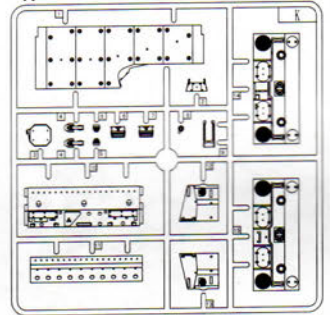
G



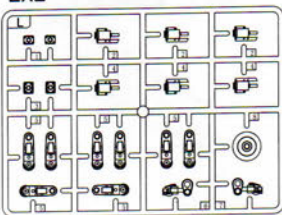
棉绳 \varnothing 0.8*300mm
Rope \varnothing 0.8*300mm



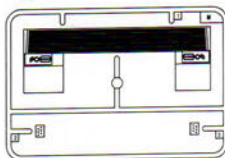
K



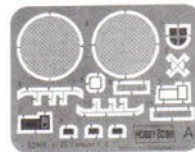
LX2



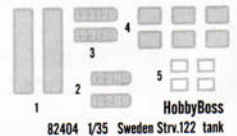
M



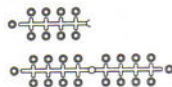
蚀刻片A
PE A



水贴纸
Decal



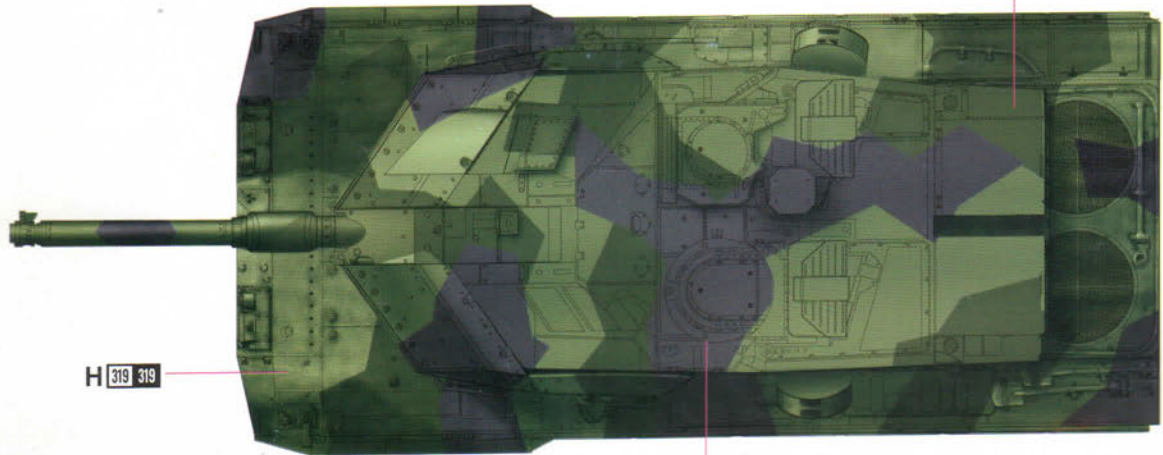
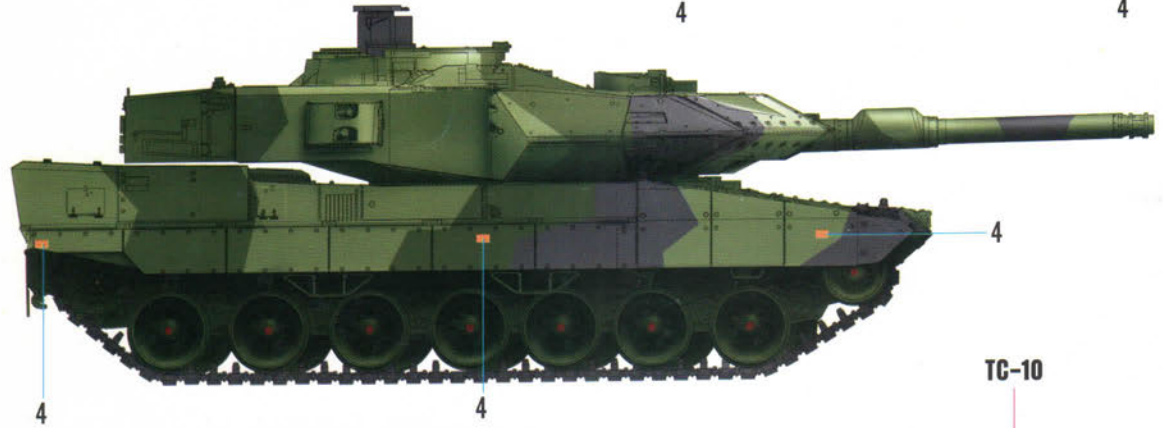
聚乙烯套(短)
Poly cap (Short)



履带X2
TrackX2



不用部品: B1. B2. B4. B5. B7. B8. B9. B10. B11. B12. B13. B14. B16. B17. B18. B19. B21. B22. B25. B26. B30.
Unused parts: B31. B32. B33. B34. B35. B36. B39. B40. B41. B42. B43. B48. B49. B51. B54. B55. B56. B60. B61. D6.
D10. D11. D22. H2. H3. H4. J4. K2. K8. K15. L2*1. L4*1. L5*2. L6*1. L7*1



H 319 319

Light Green

TC-10

NATO Green

TC-12

NATO Black

8

GUNZE SANGYO AQUEOUS HOBBY COLOUR

8

GUNZE SANGYO MR.COLOUR