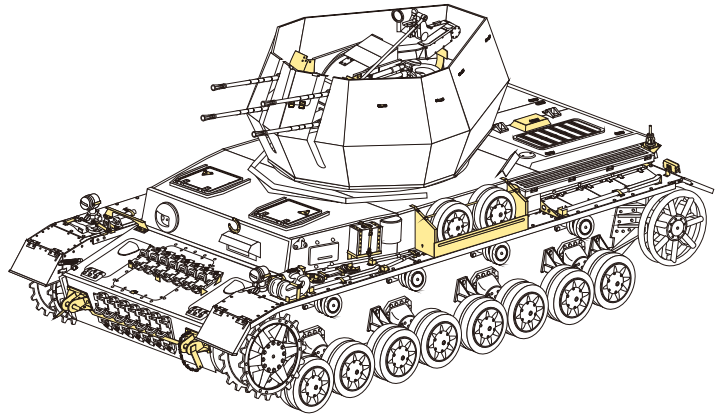


1/35 MILITARY MINIATURE VEHICLE UPGRADE SERIES PE 35329

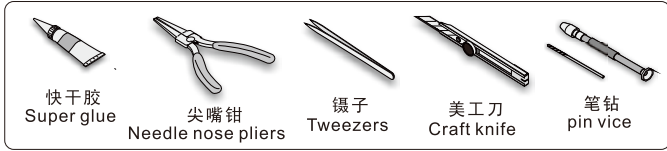
# WWII German 20mm Flakpanzer IV "Wirbelwind"

## 二战德军"旋风"20MM四联装防空自行炮改造件

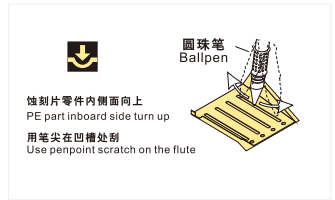
[For DRAGON 6540]



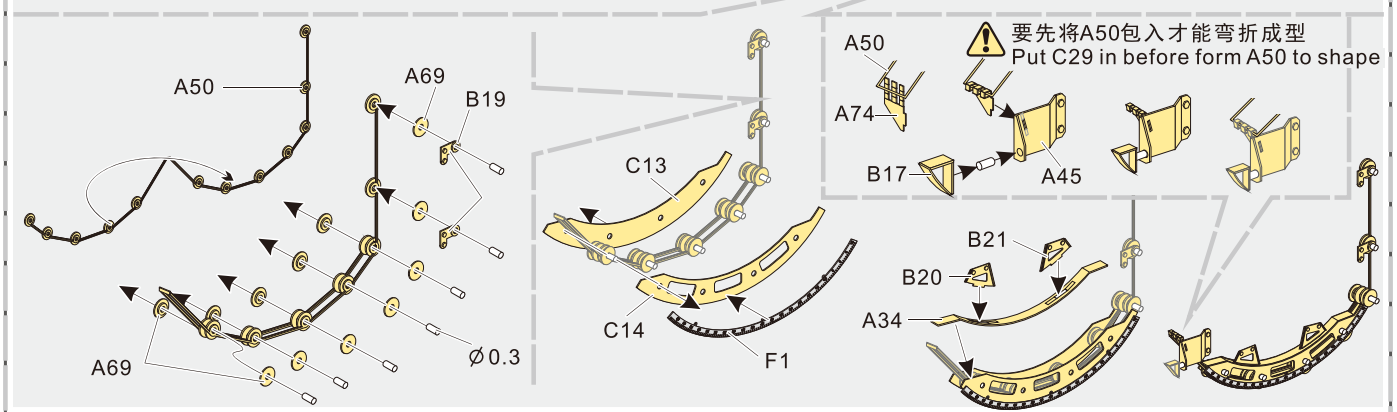
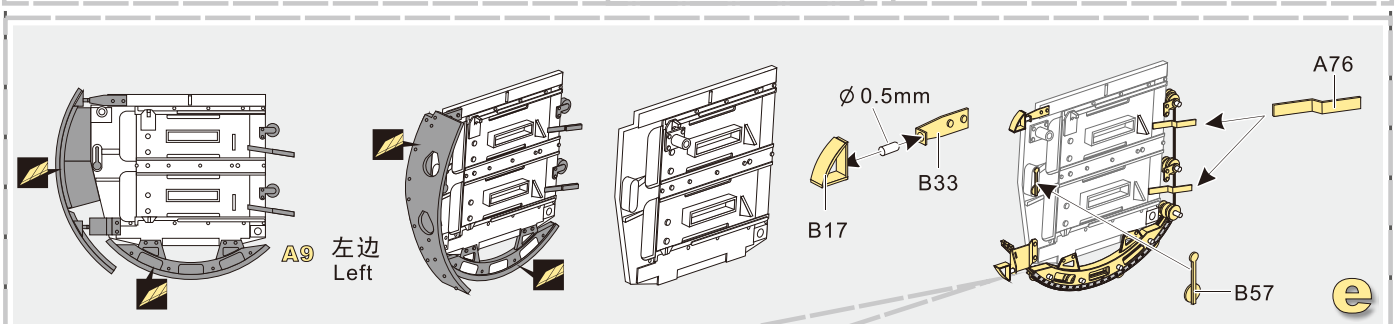
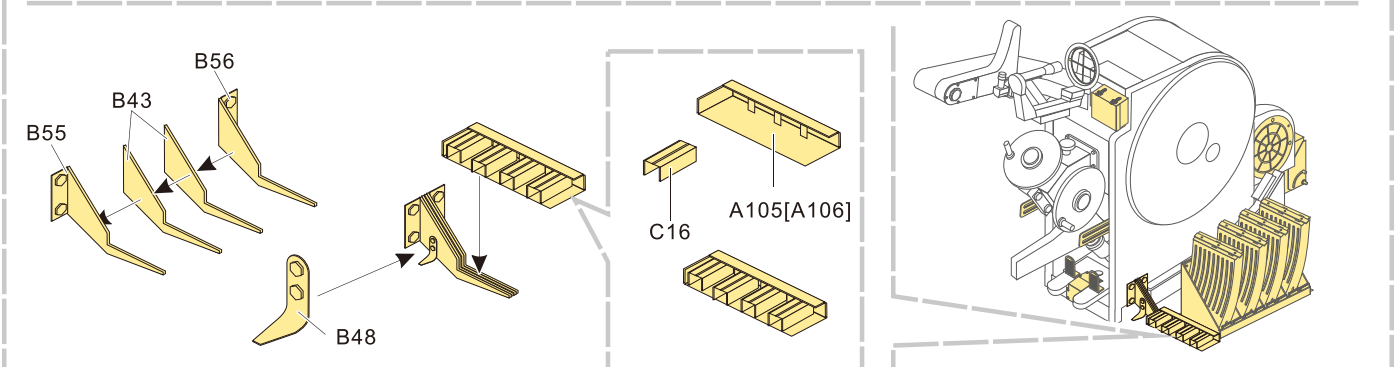
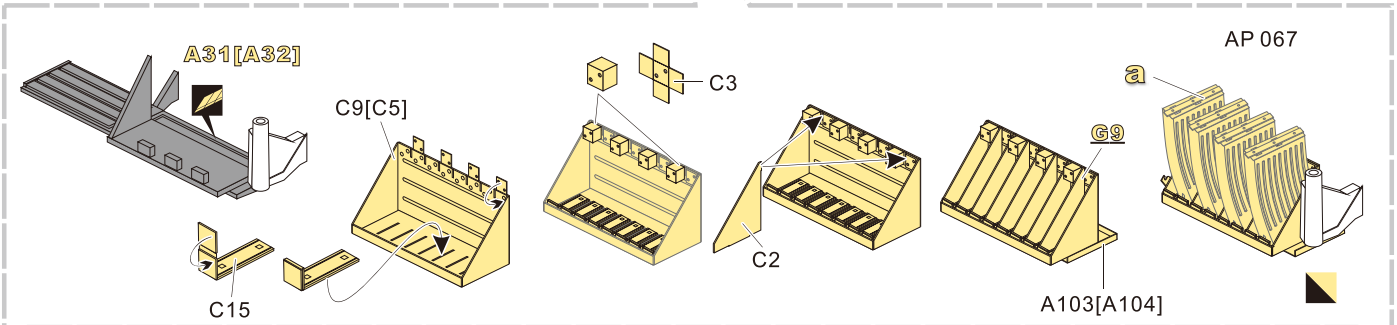
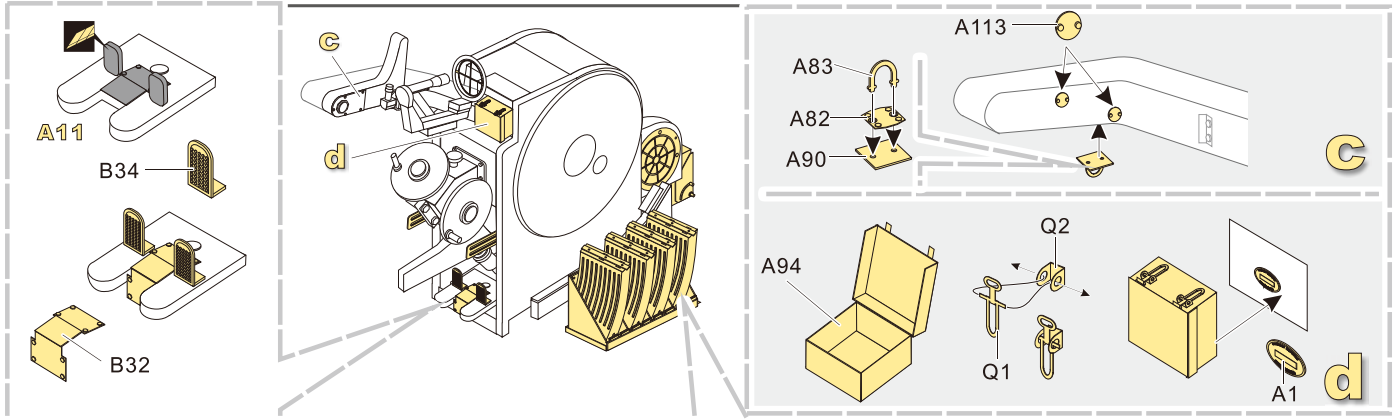
### 推荐使用工具 RECOMMENDED TOOLS



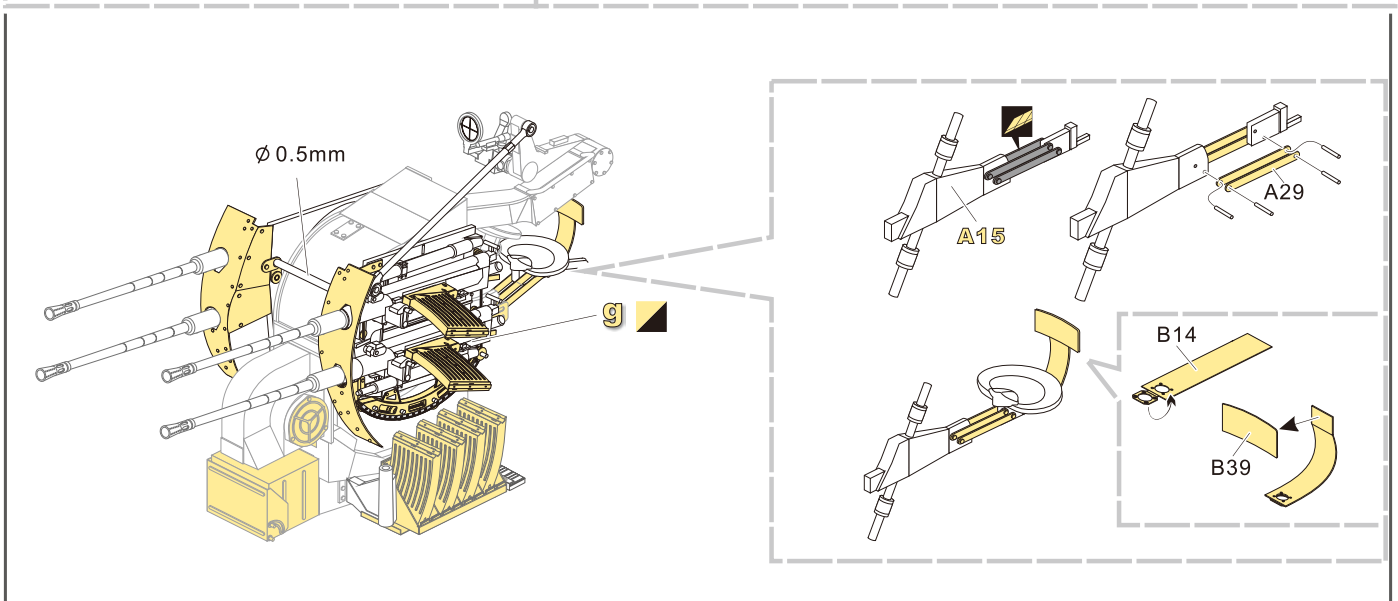
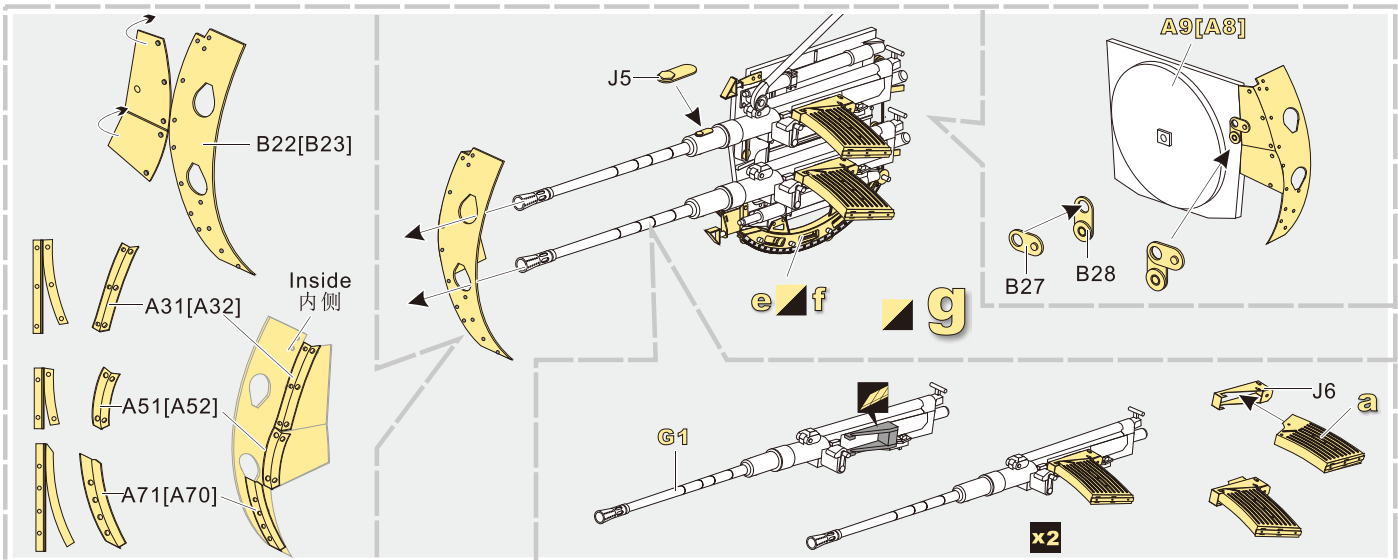
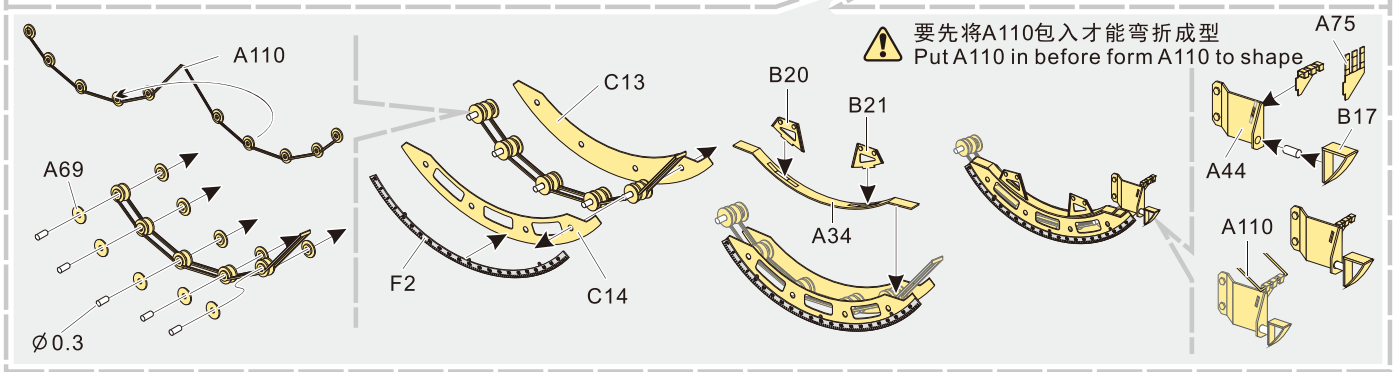
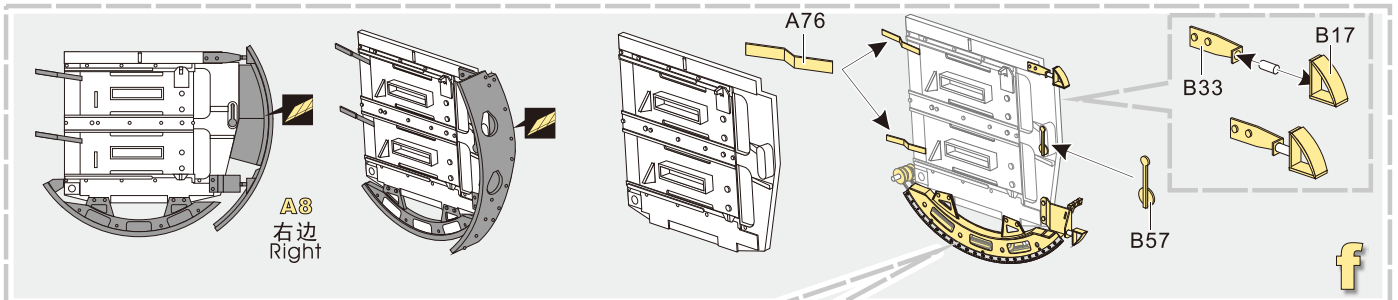
- 安装  
install
- 折叠  
bend
- A1**  
改造件零件编号  
PE/resin part number
- B12**  
原零件编号  
kit part number
- C22**  
被替换的原零件编号  
replaced kit part number
- x2**  
制作若干组  
multiple assembly
- 弧度卷曲  
radial bending
- 选择安装  
alternative
- 切除  
remove
- 钻孔  
drill
- 注意  
caution
- 另一侧相同制作  
repeat on opposite side
- 用尖端在凹槽处冲压  
use penpoint to press on the dent
- 打磨  
grind off
- 用铜管制作  
make from brass tube
- 用胶棒制作  
make from plastic rod



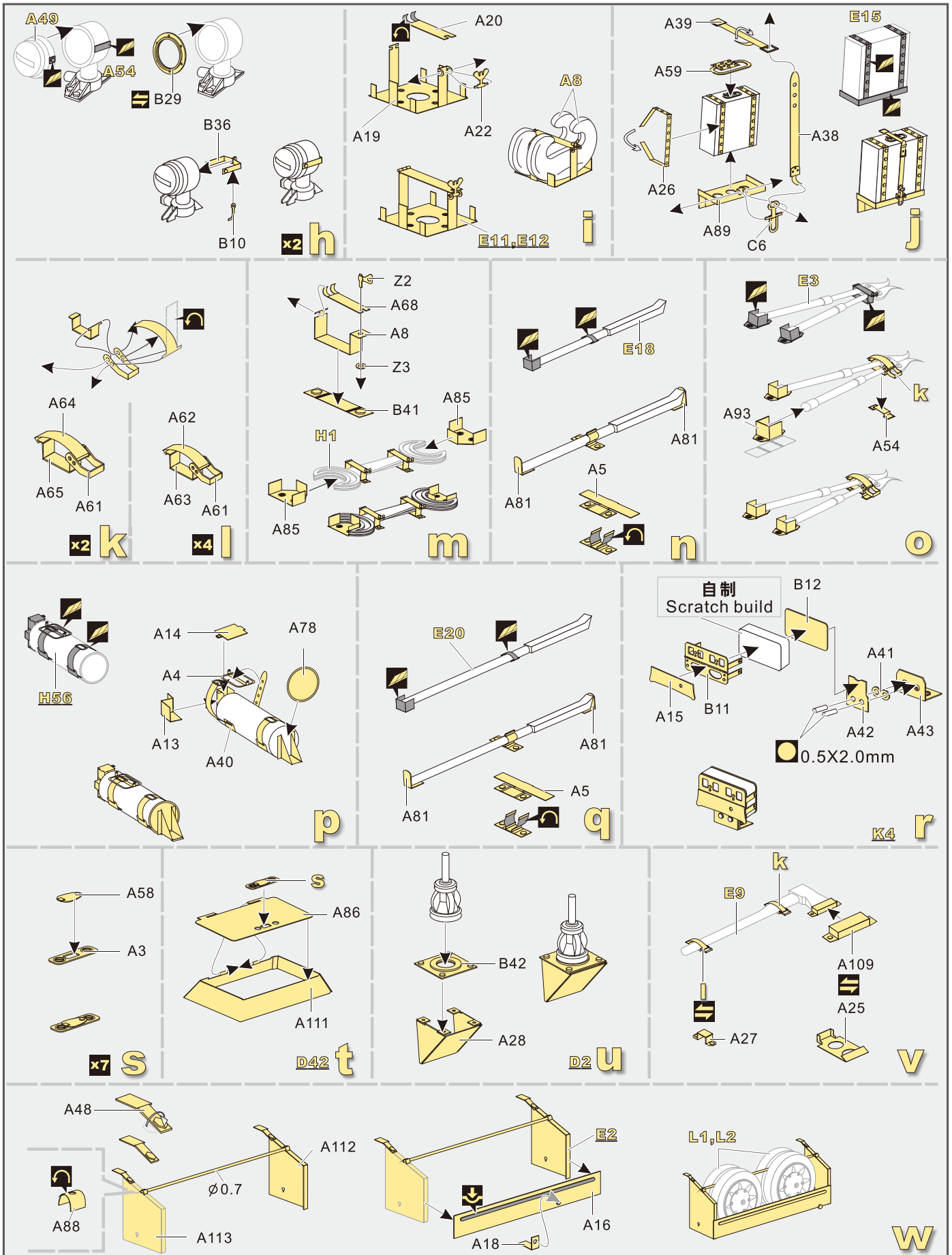
1/35 MILITARY MINIATURE VEHICLE UPGRADE SERIES PE35329



1/35 MILITARY MINIATURE VEHICLE UPGRADE SERIES PE35329

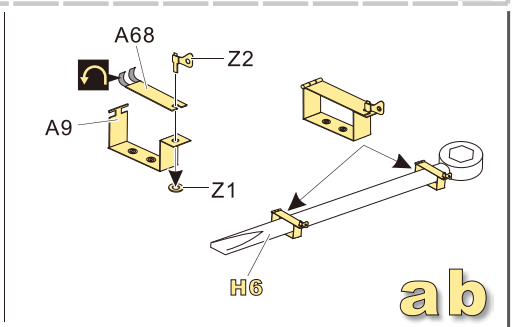
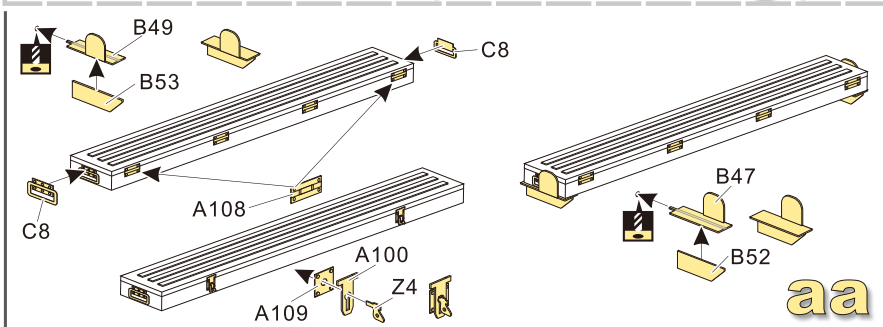
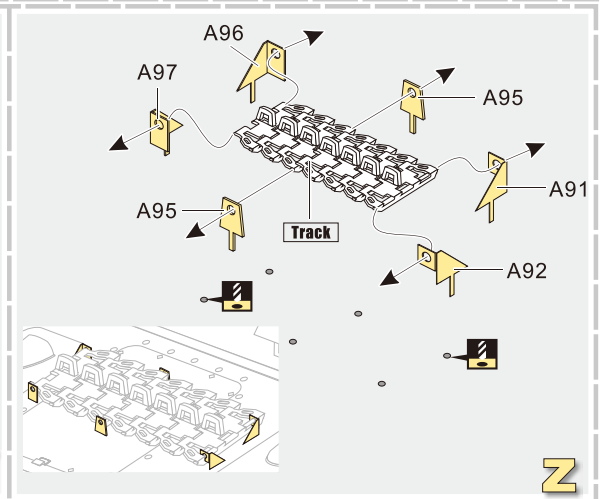
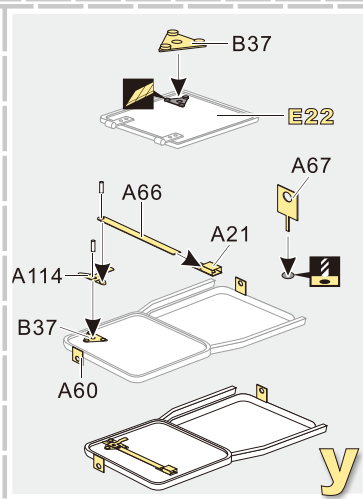
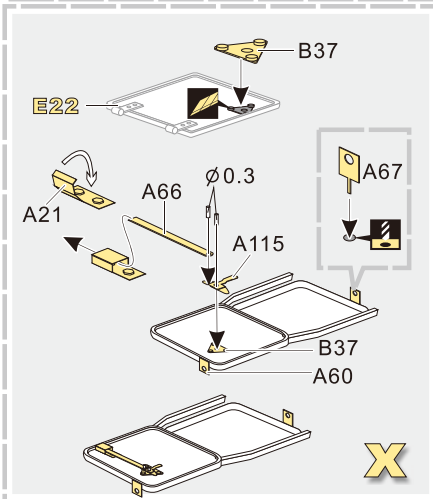
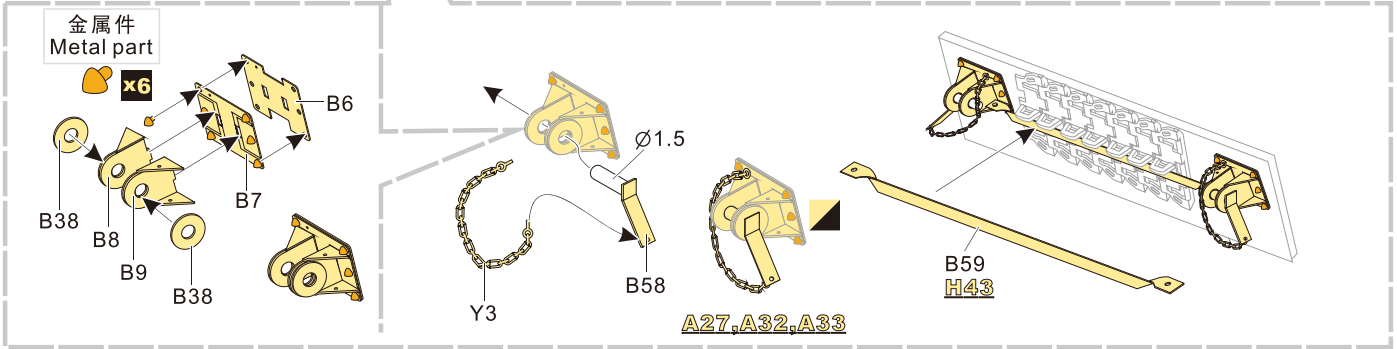
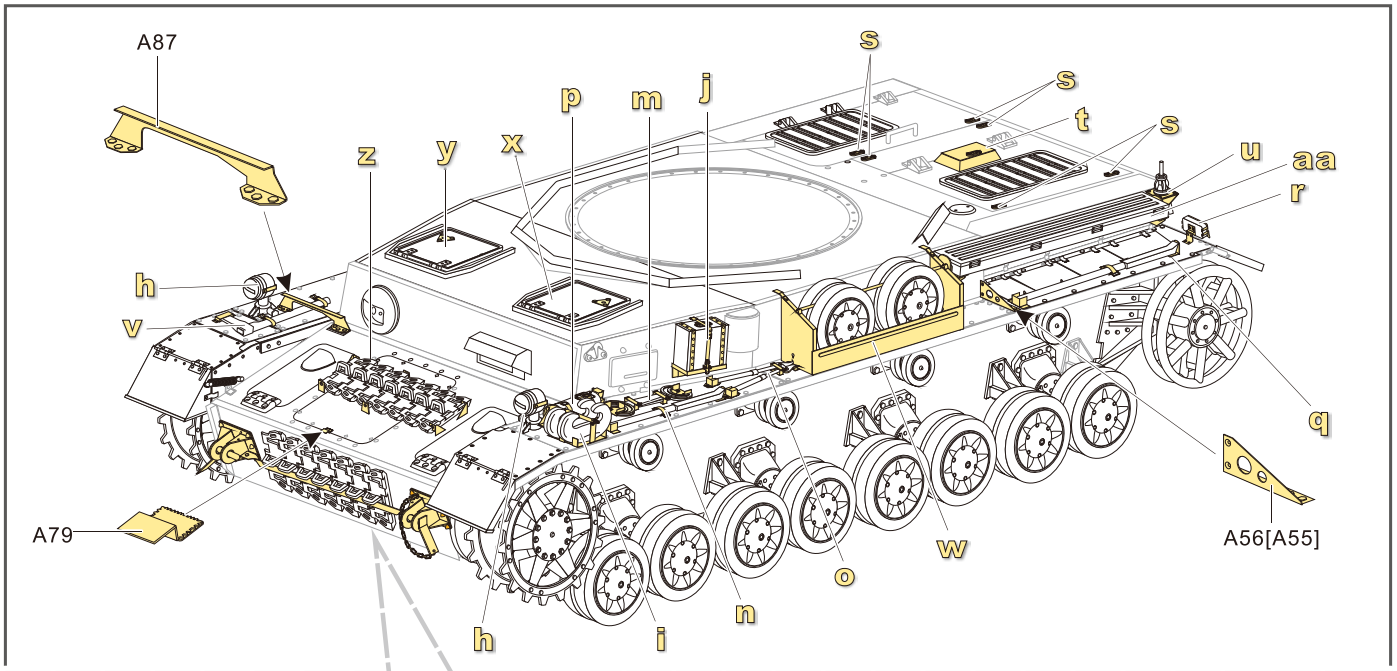


1/35 MILITARY MINIATURE VEHICLE UPGRADE SERIES PE35329

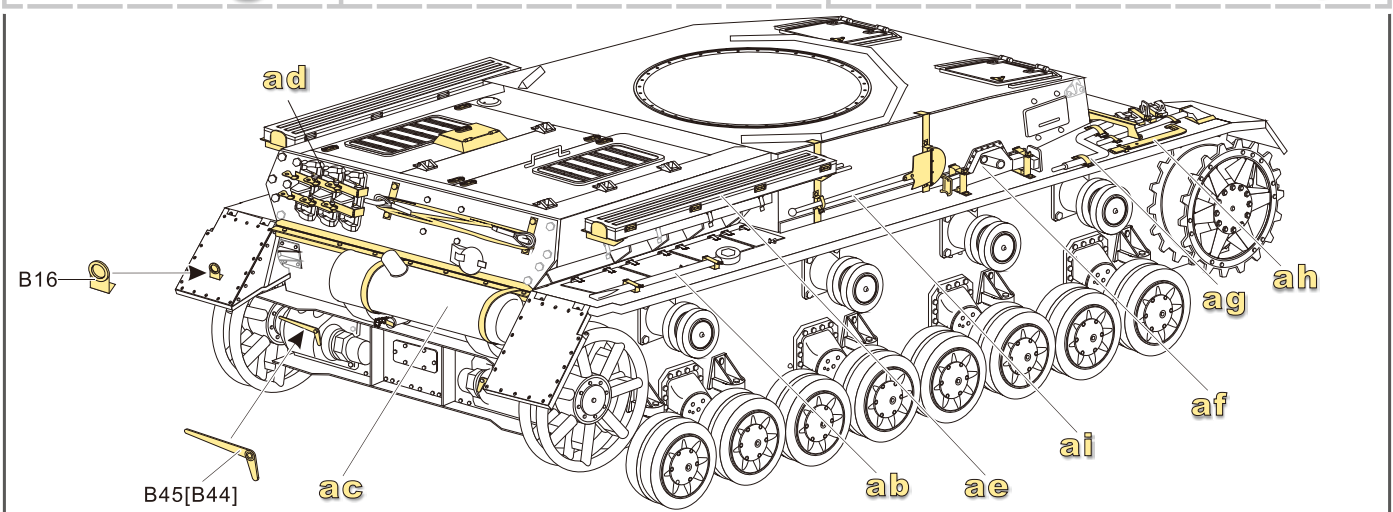
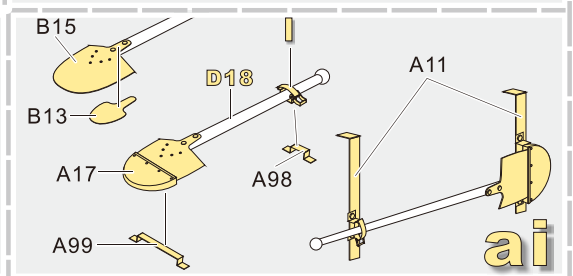
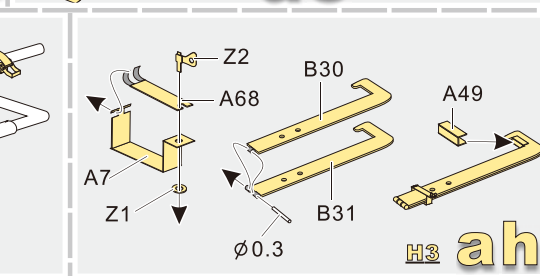
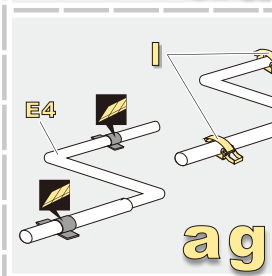
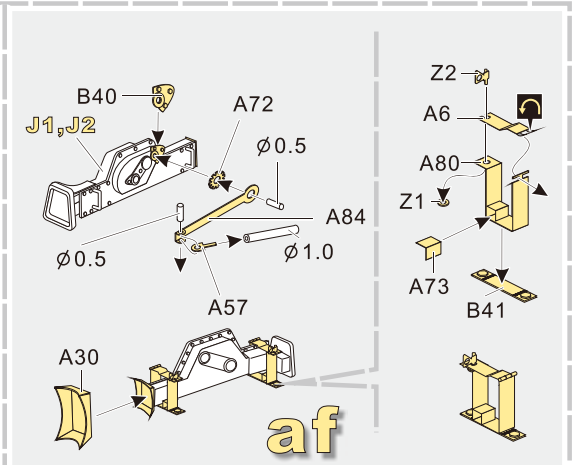
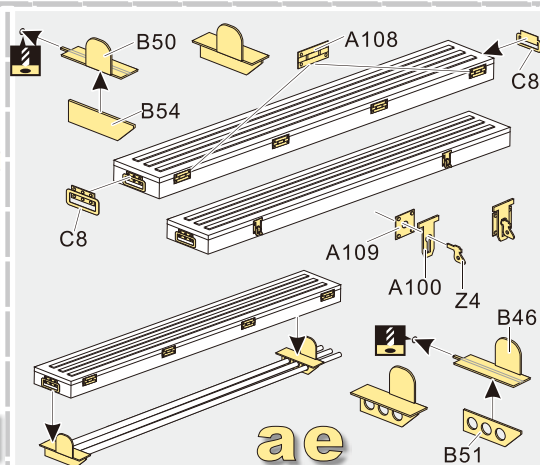
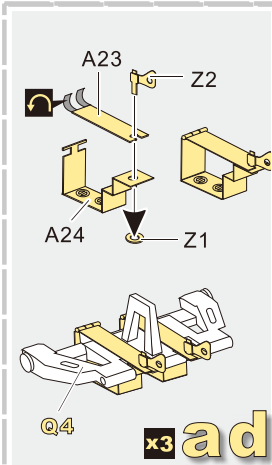
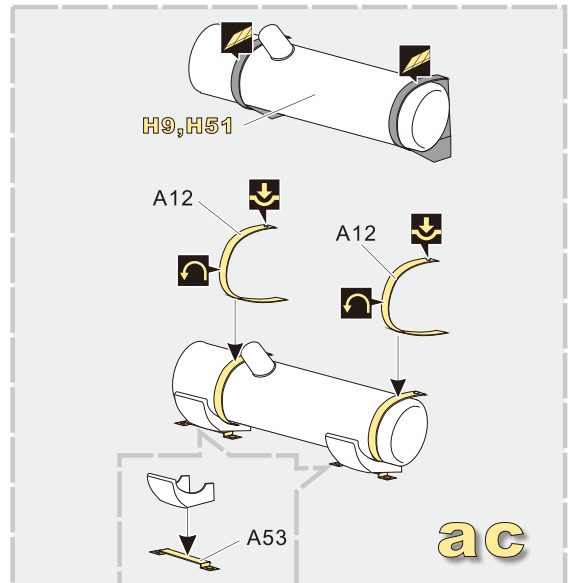
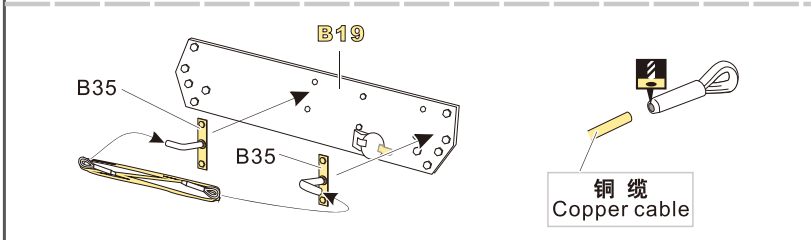
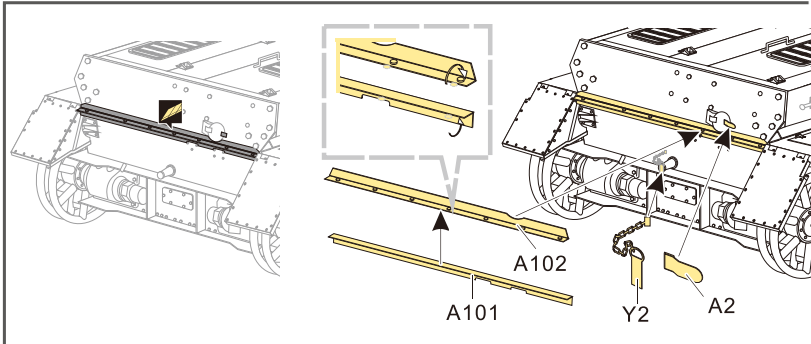




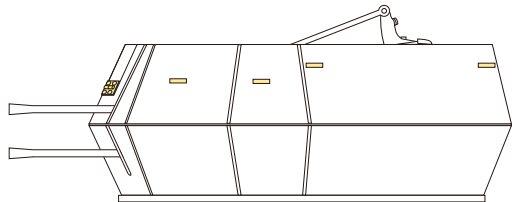
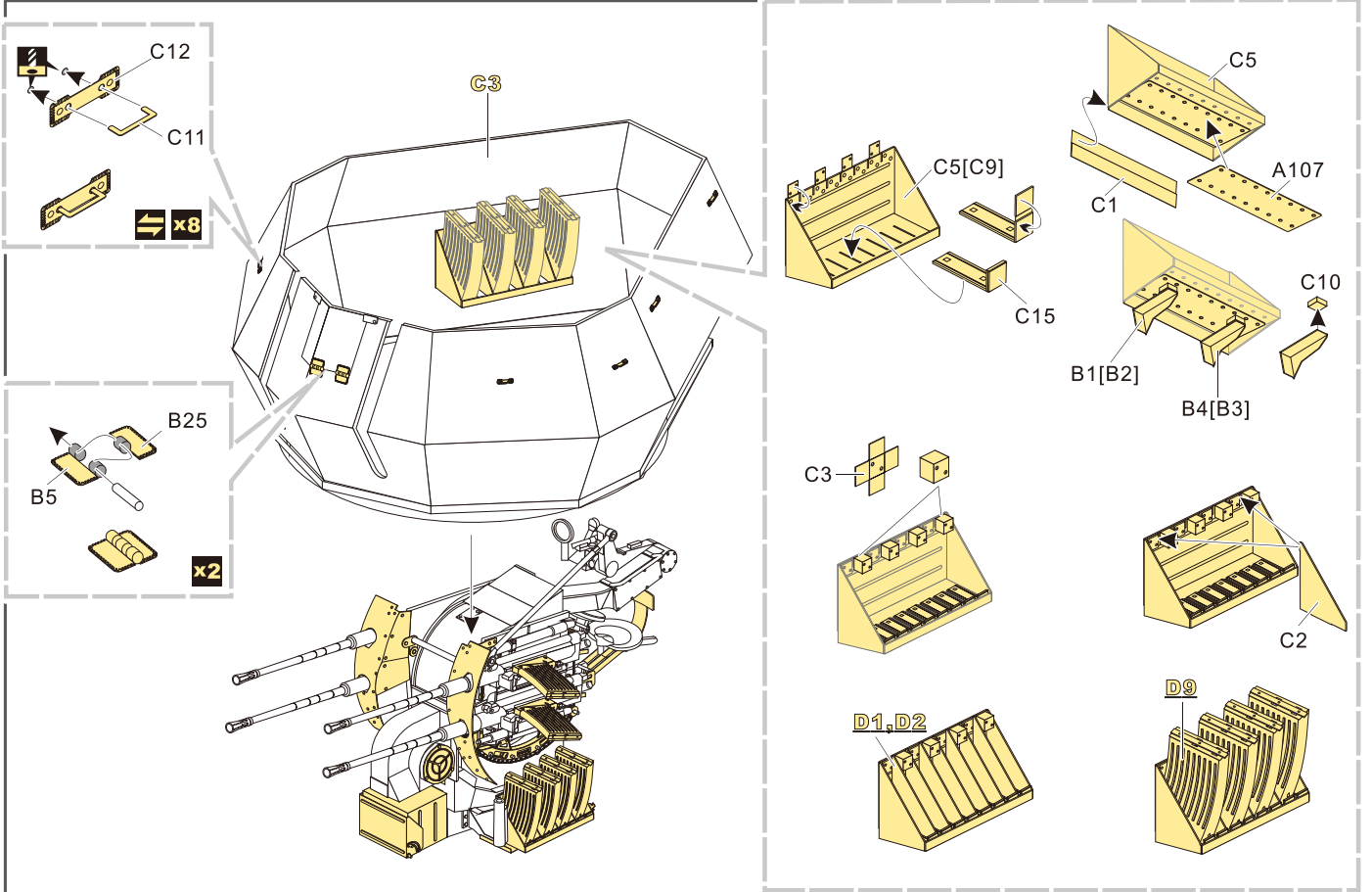
1/35 MILITARY MINIATURE VEHICLE UPGRADE SERIES PE35329



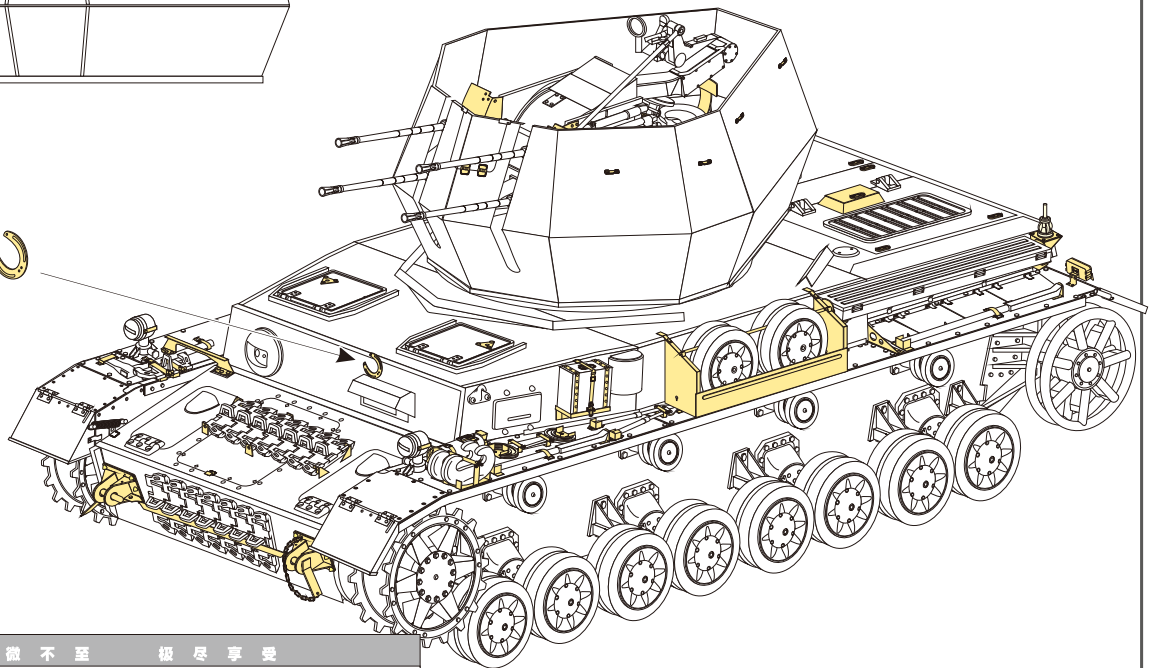
1/35 MILITARY MINIATURE VEHICLE UPGRADE SERIES PE35329



1/35 MILITARY MINIATURE VEHICLE UPGRADE SERIES PE35329



B24



**VOYAGERMODEL®** 无微不至 极尽享受  
The Best Upgrade Solution

**Recommended item**

PE 35145	WWII German Pz.Kpfw.IV Ausf.F1/H Fenders
AP067	WWII German Magazines & Ammo Boxes for Flak 30/38
ME-A039	WWII German Shells for 1/35 20mm Flak 38
VBS0137	WWII German 20mm Flak38 Barrel w/Ammo Magazine 4X4