



# German halftrack Sd.Kfz. 251/1 Ausf.D

DW16005



AMIG		Color Name
0046	A	Black
0125	B	Silver
0902	C	Dunkelgelb
0014	D	Rotbraun
0001	E	Olivgrün
0090	F	White
0133	G	Leather
0045	H	Gun Metal
0086	I	Wood
0092	J	Transparent Green

AMIG		Color Name
0049	K	Red
0266	L	Hellgrau
F513	M	Field Grey
0042	N	Rust
0033	O	Rubber
0132	P	Canvas
0062	Q	Blue Grey
0913	R	Bakelit
0035	S	Dark Tracks
0008	T	Dunkelgrau

## READ BEFORE ASSEMBLY

### CAUTION

- Read carefully and fully understand the instructions before commencing assembly. A supervising adult should also read the instructions if a child assembles the model.
- When assembling this kit, tools including knives used. Extra care should be taken to avoid personal injury.
- Keep out of reach of small children. Children must not be allowed to suck any part, or pull vinyl bag over their heads.



Optional



Instant Glue  
for Metal



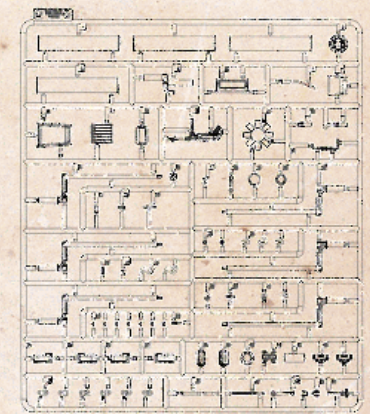
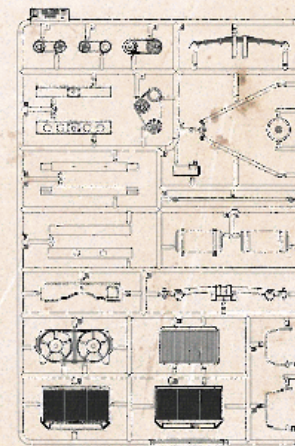
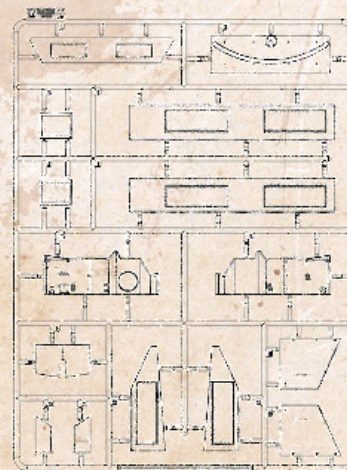
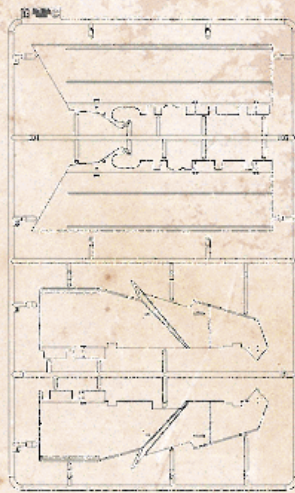
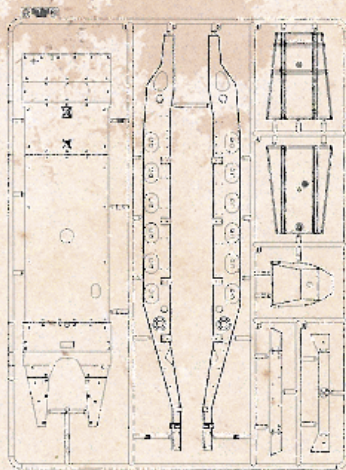
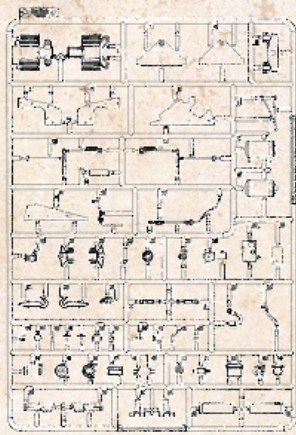
Do Not Cement



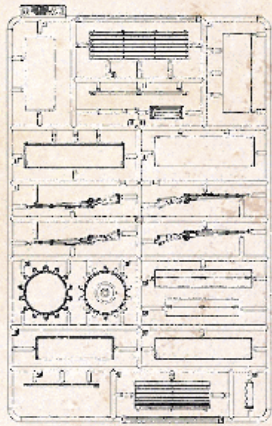
Be Careful



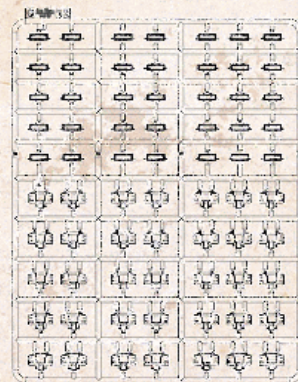
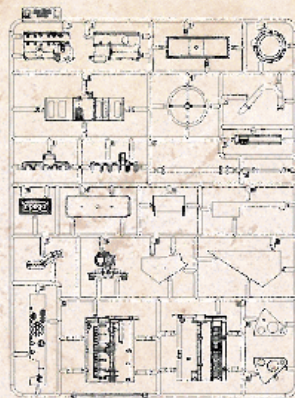
# PARTS



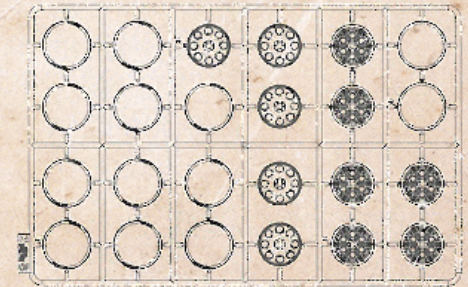
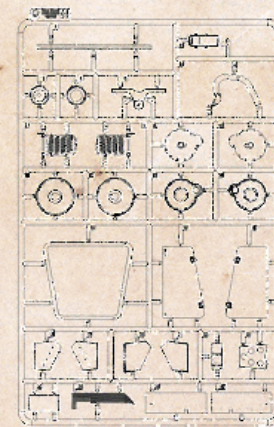
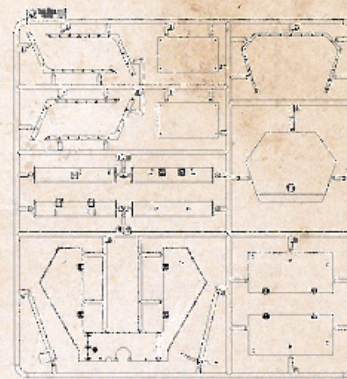
X2



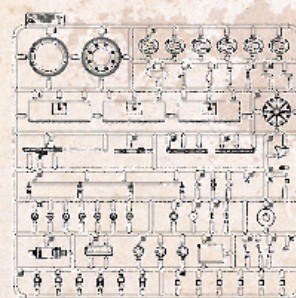
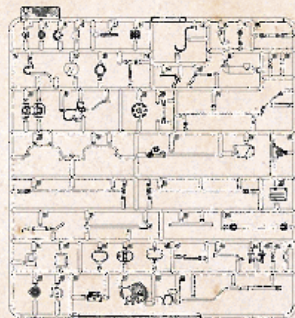
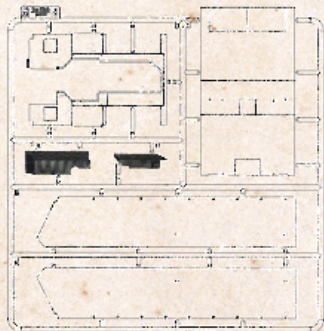
X2



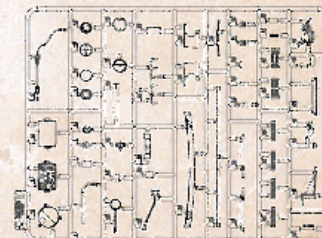
X4



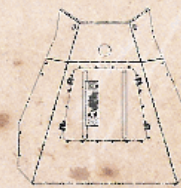
X3



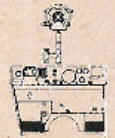
X2



X2

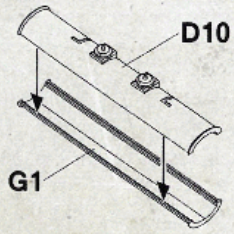
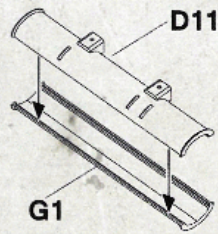
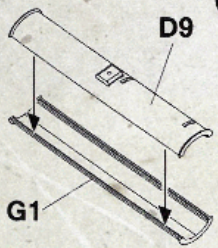
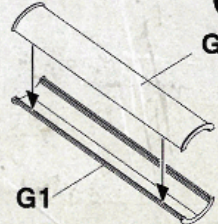
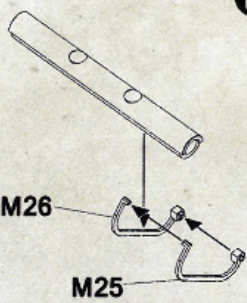
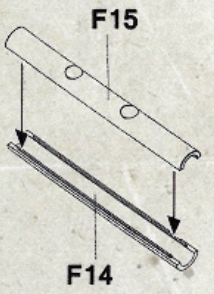
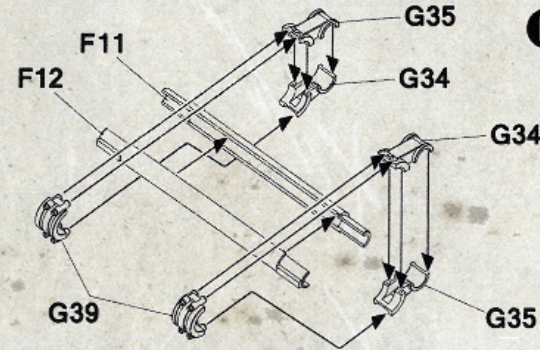
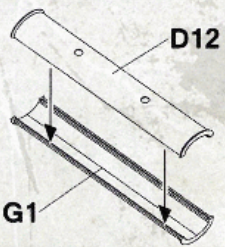
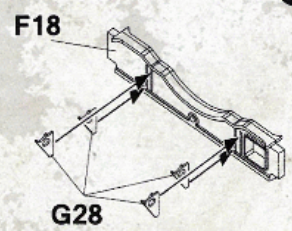
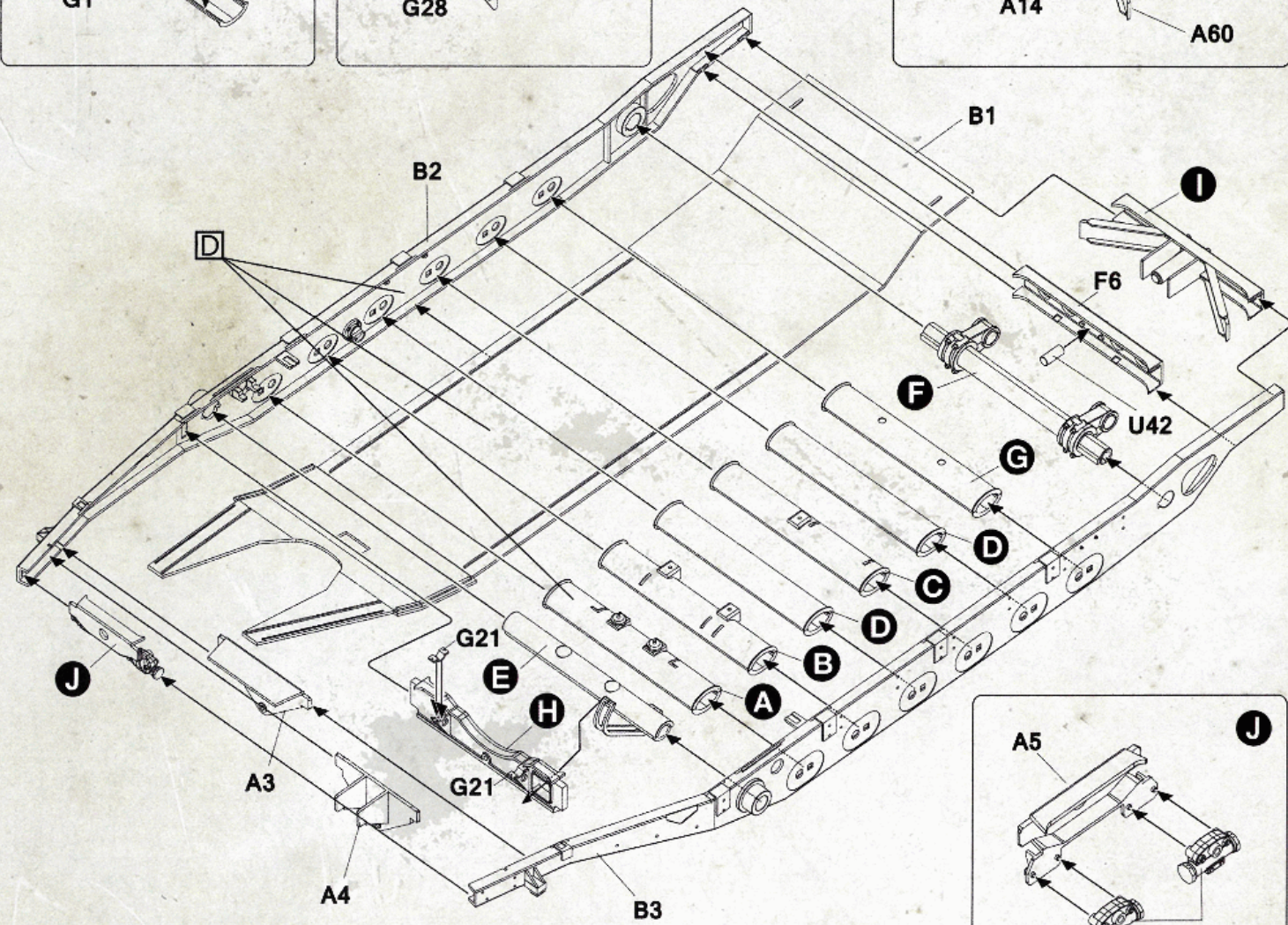
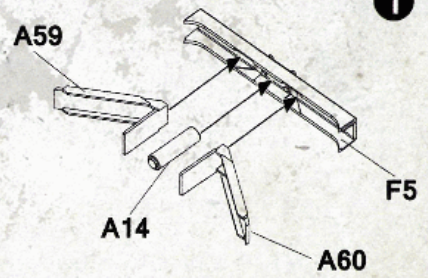


Engine Hood



Decal

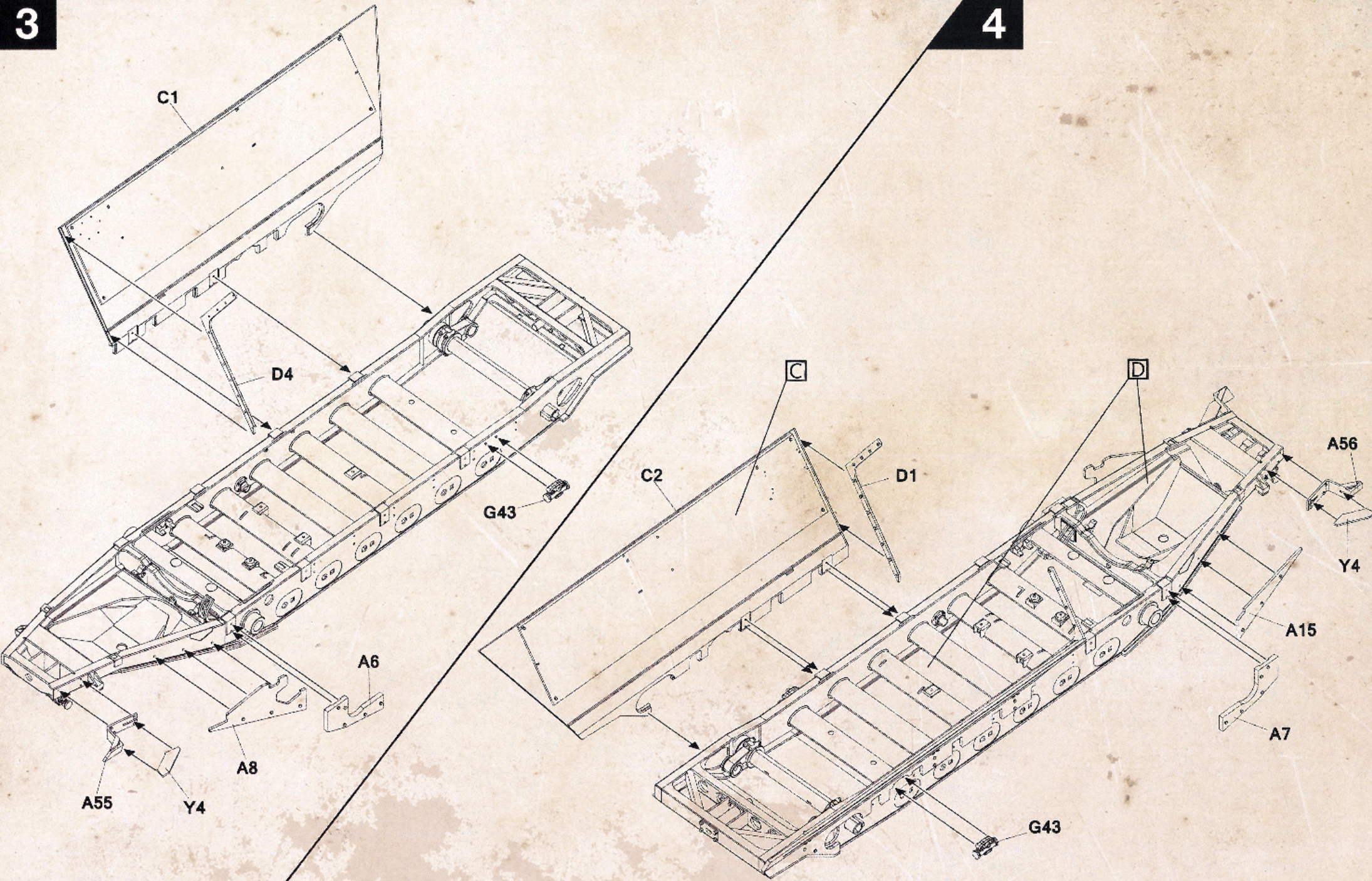


**1****A****B****C****D****Make 2****E****F****2****G****H****I****3**



3

4



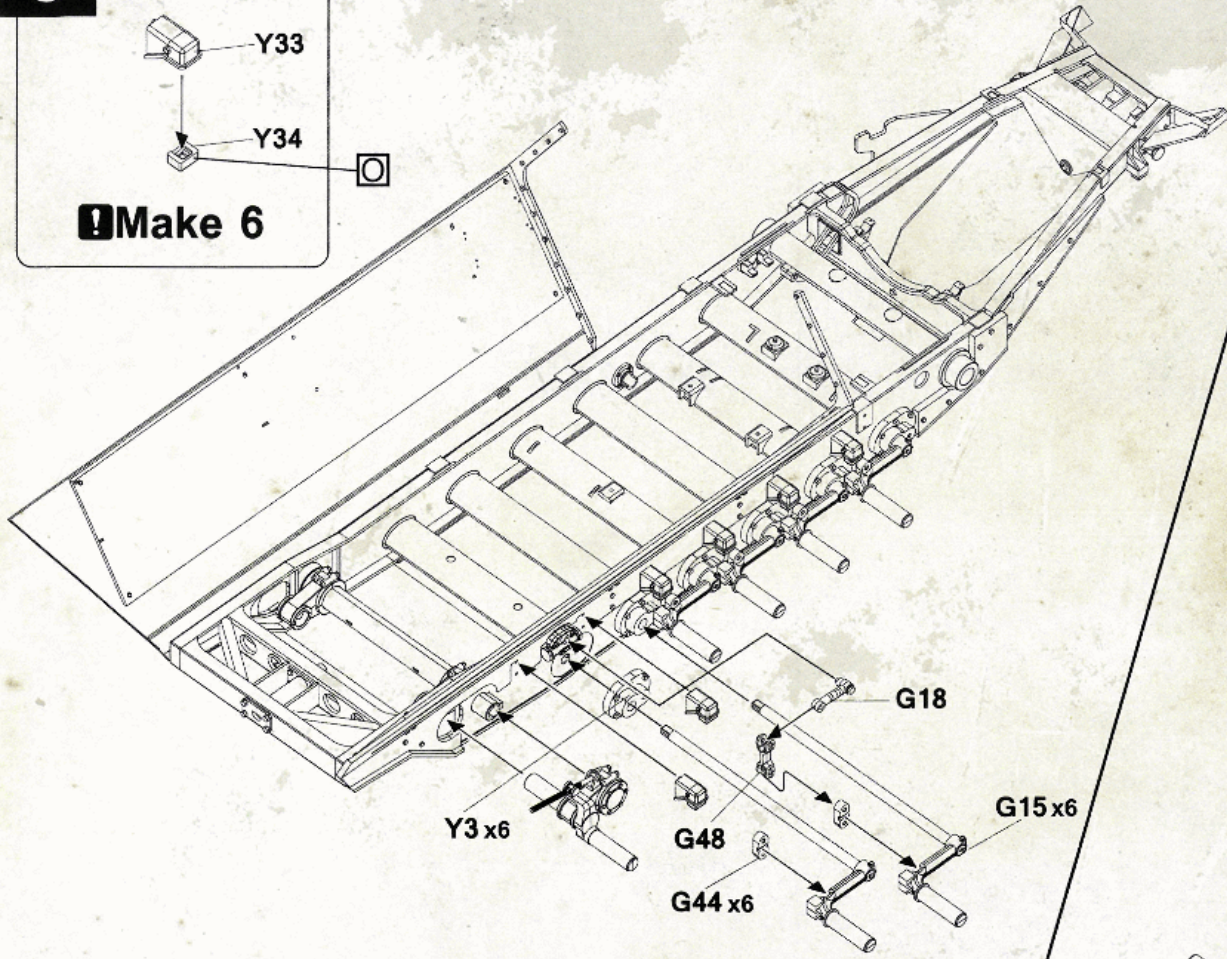


5

Y33

Y34

Make 6



6

G37

G36

G38

A48

G46

G27

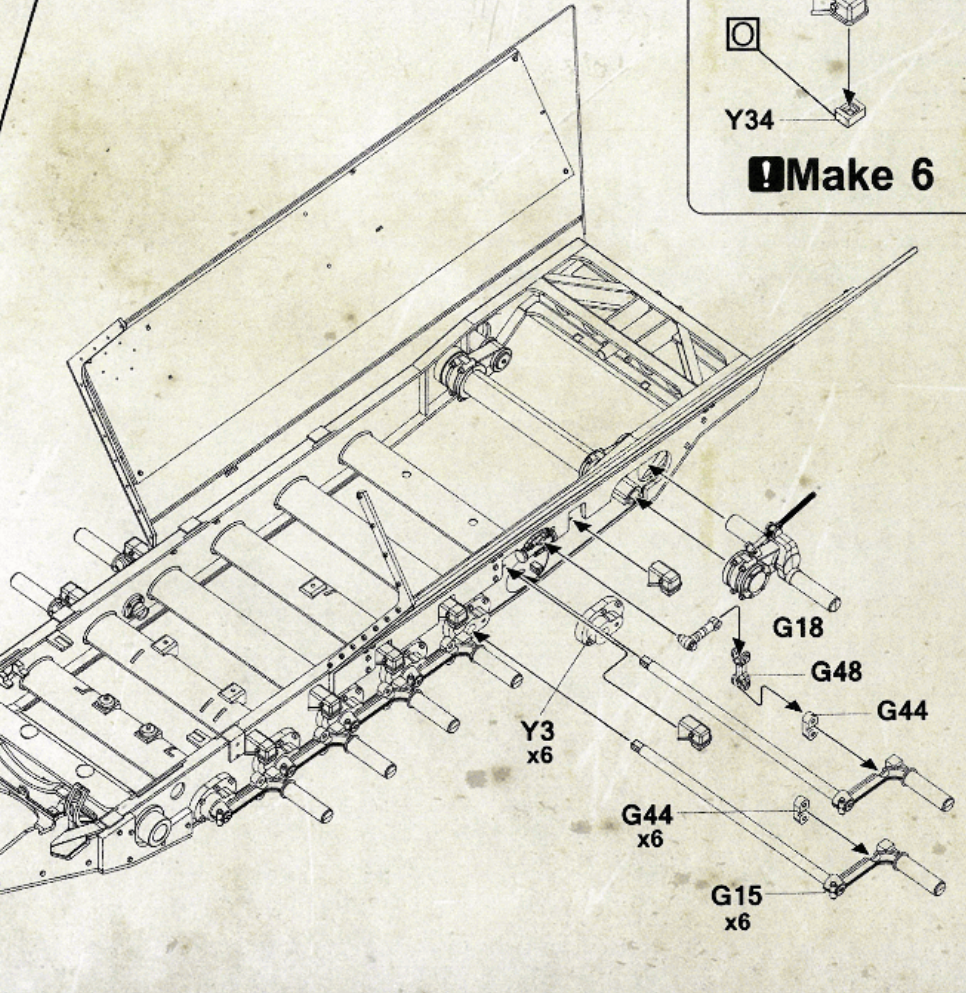
G40

G4

Y33

Y34

Make 6



G36

G38

G37

G46

G27

A49

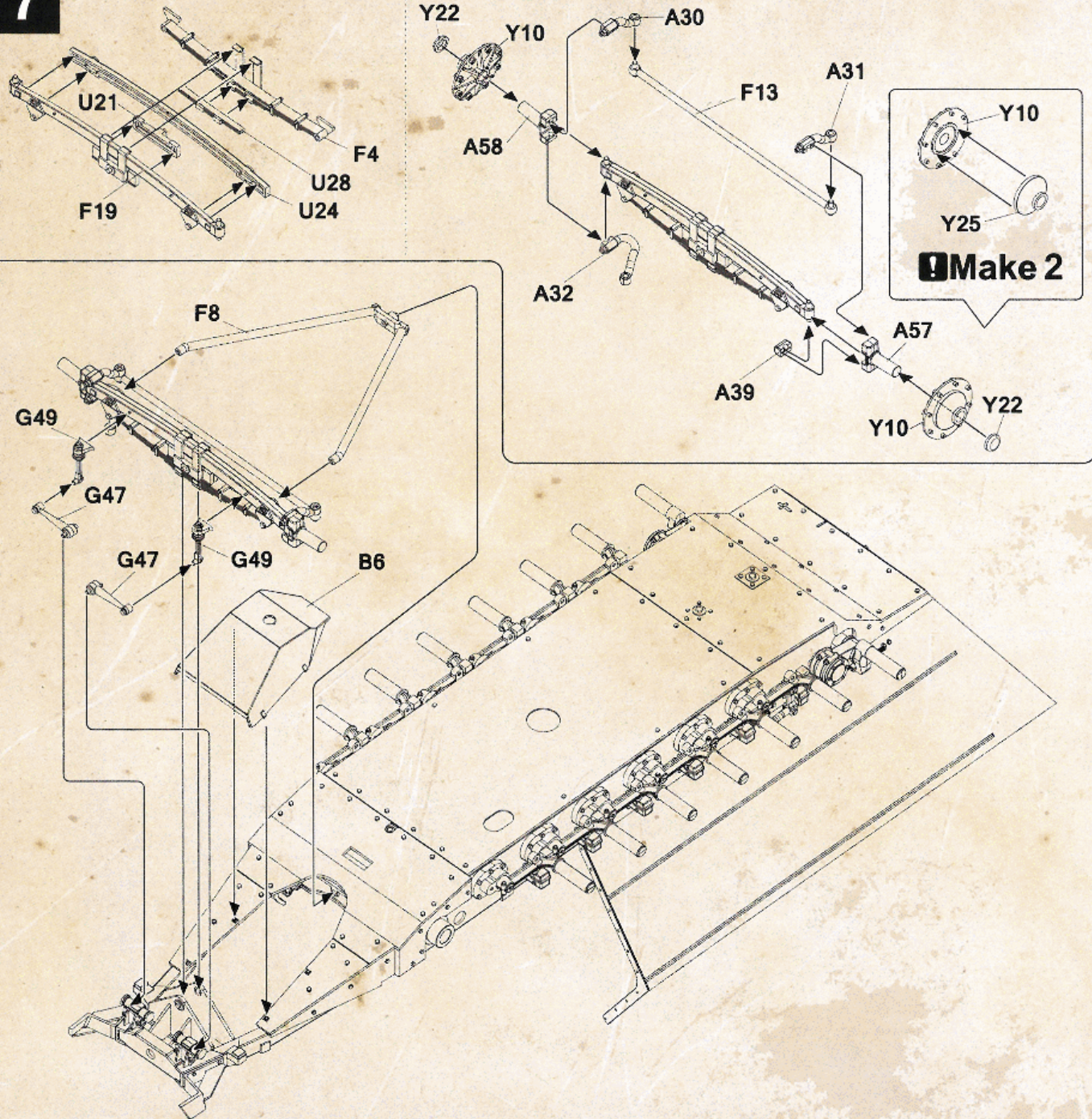
G4

G40

5

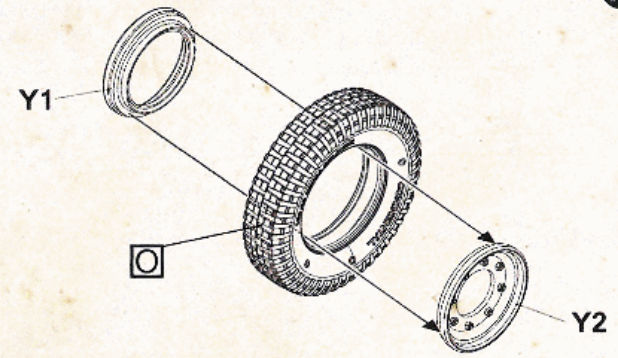


7



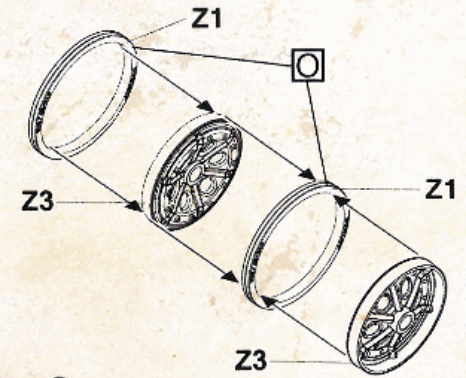
6

A



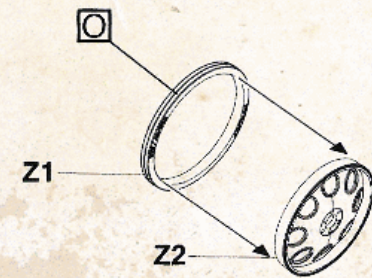
Make 2

B



Make 8

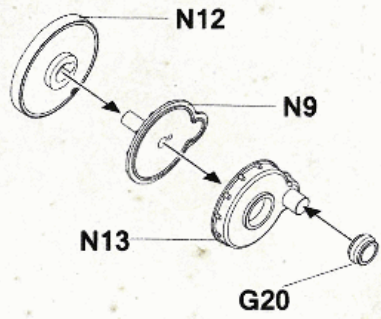
C



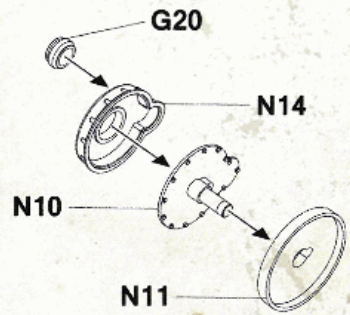
Make 12



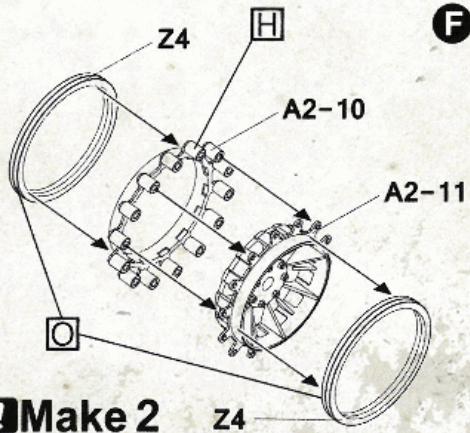
D



E

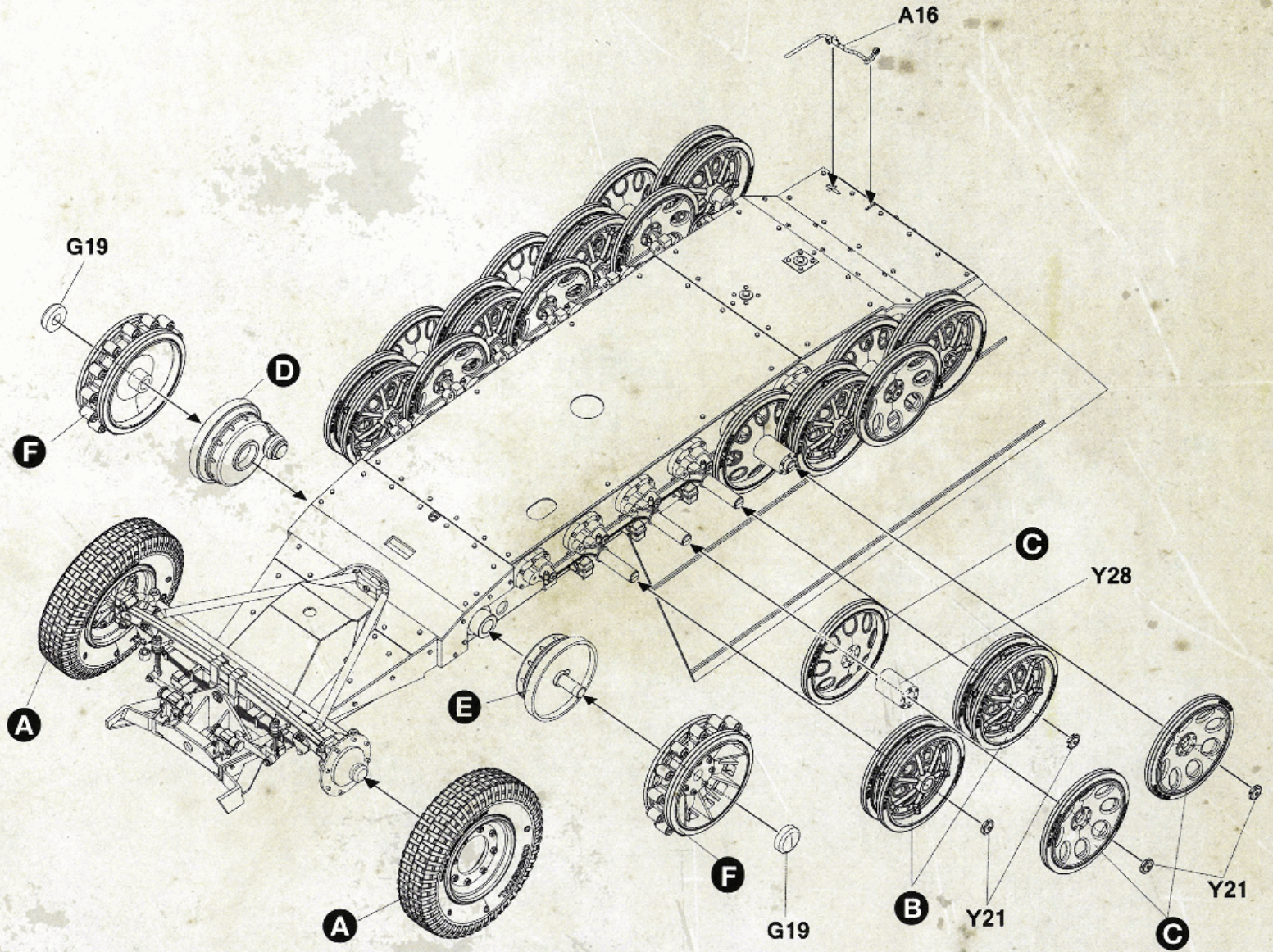


F

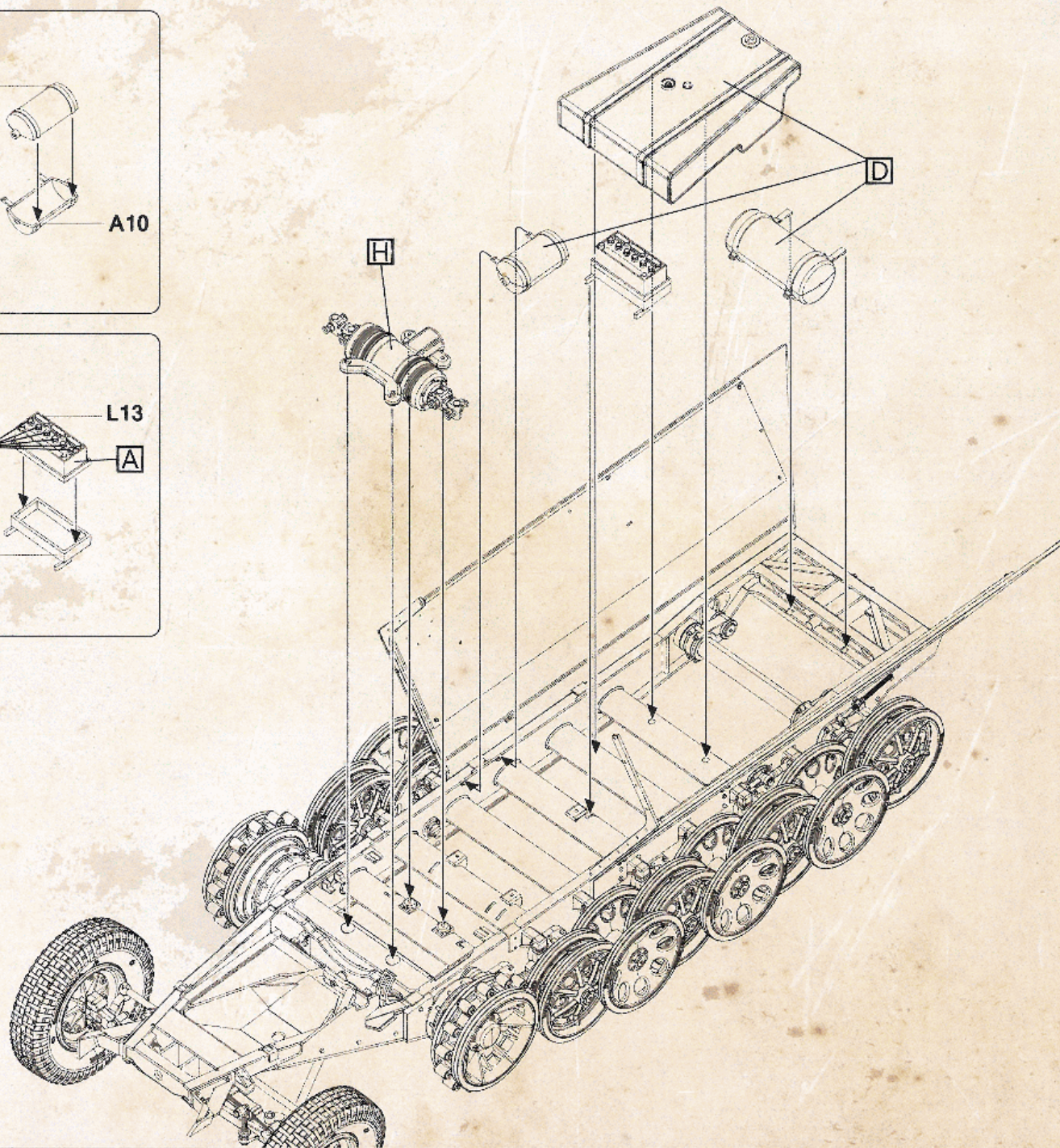
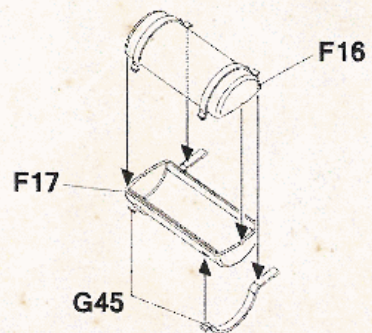
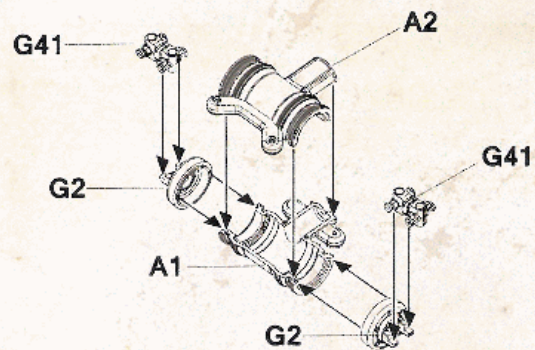
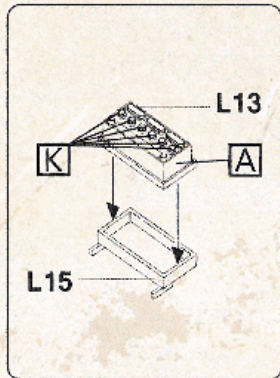
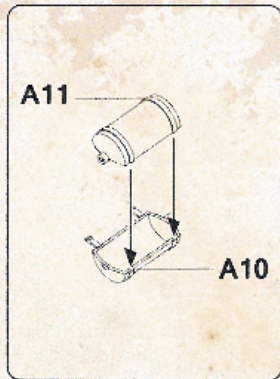
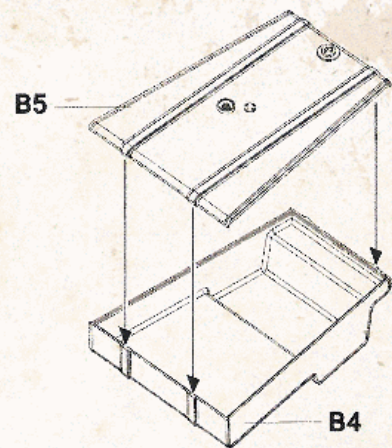


Make 2

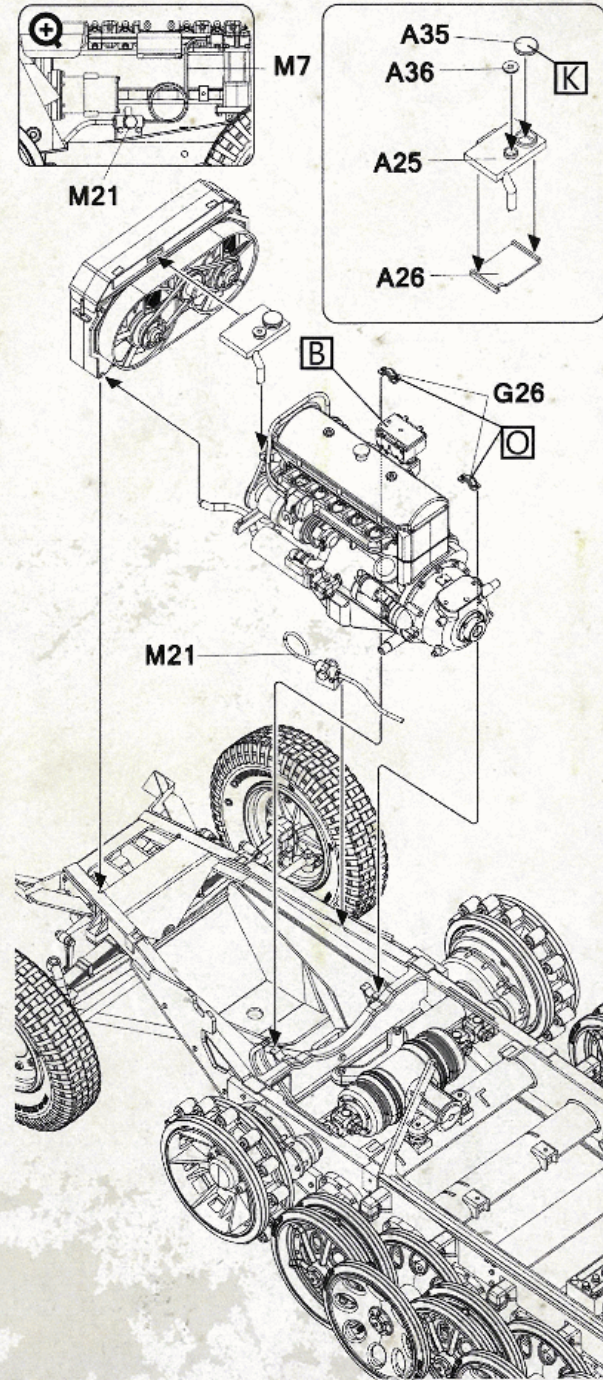
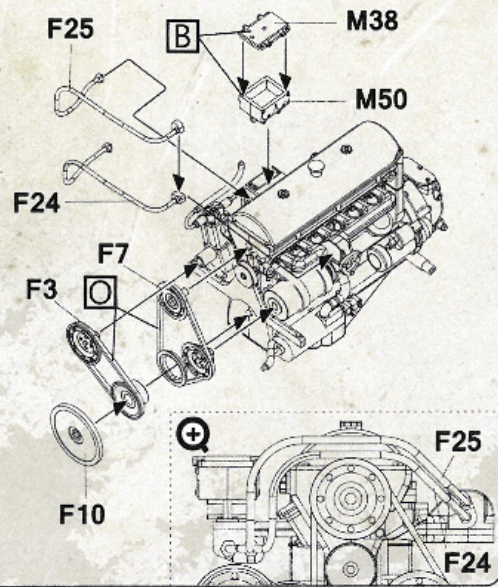
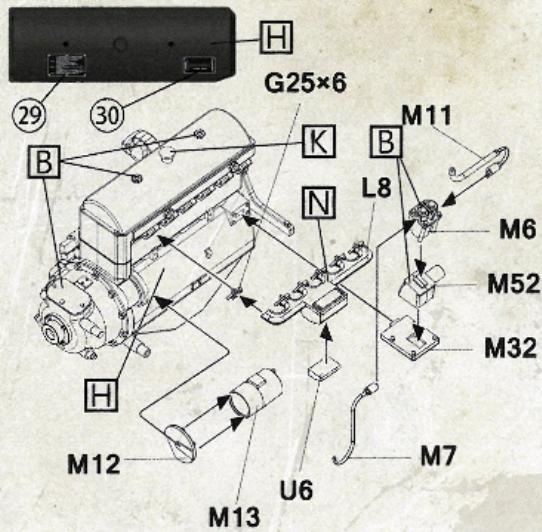
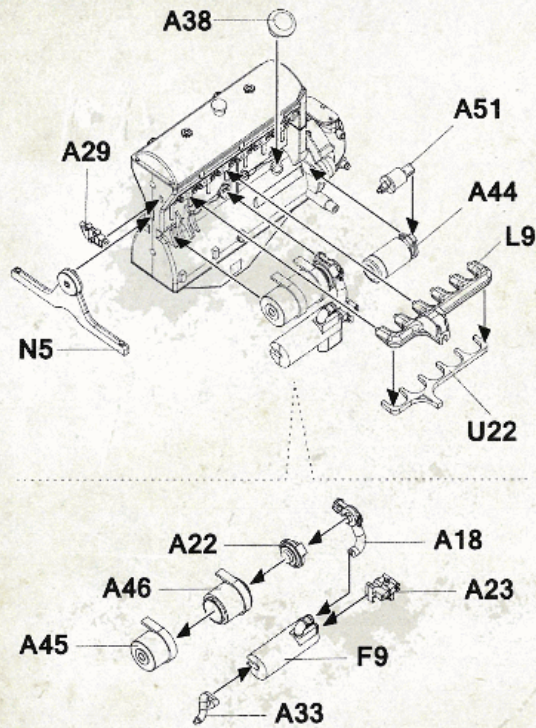
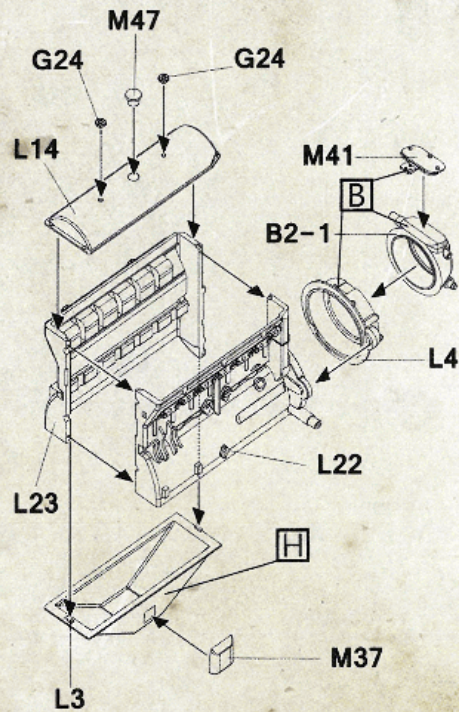
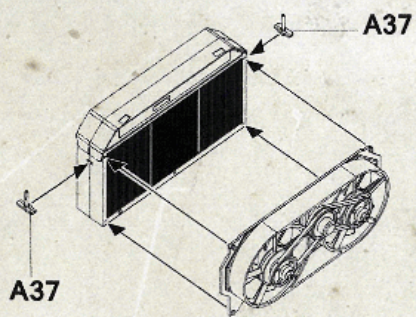
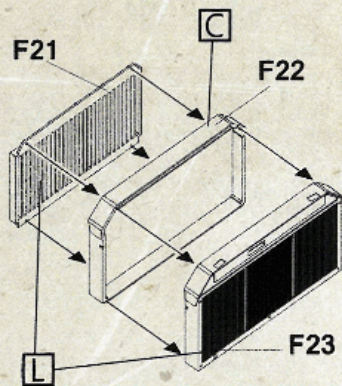
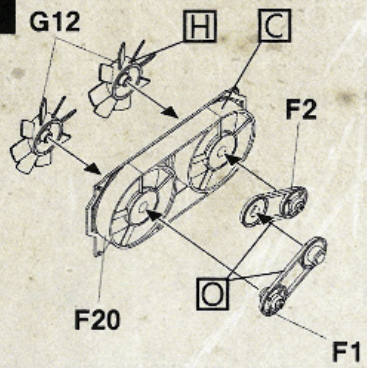
Z4



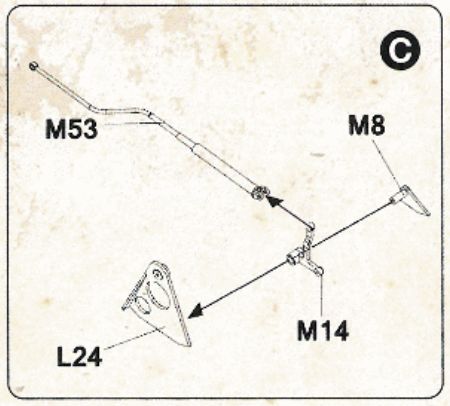
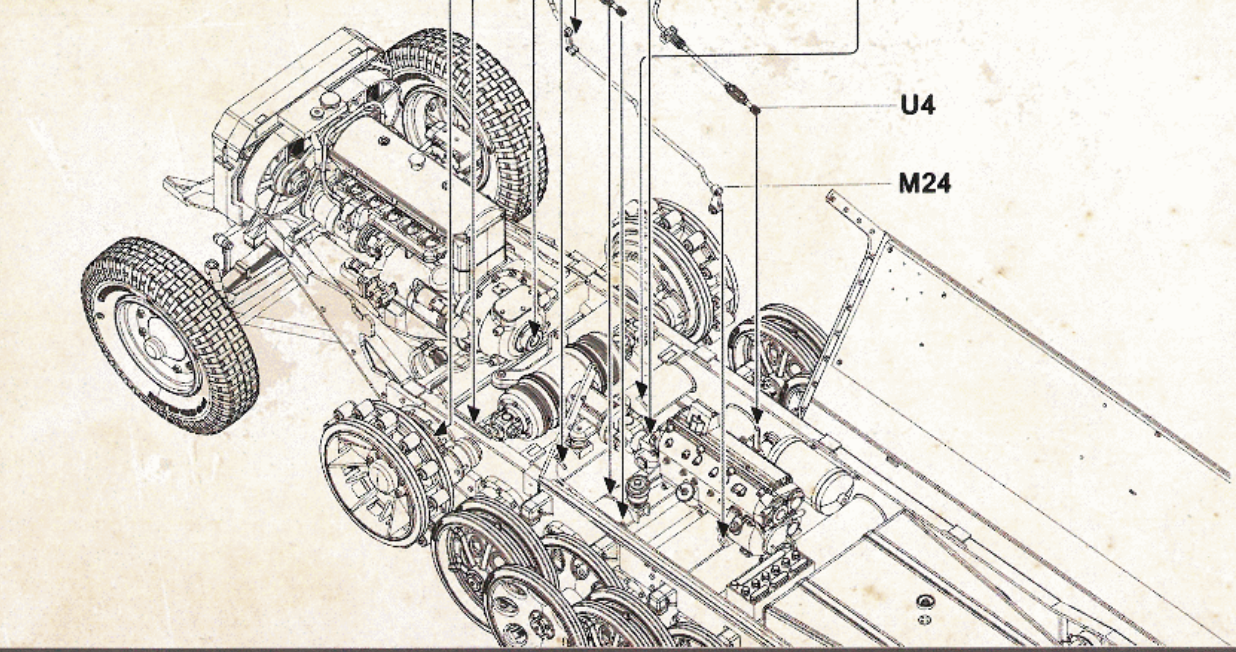
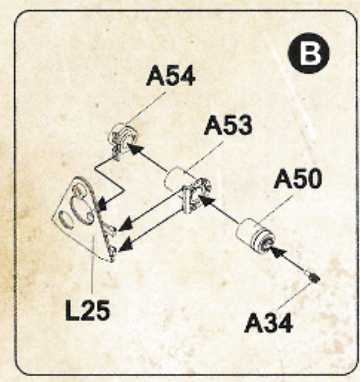
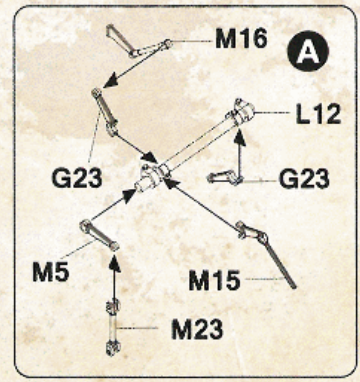
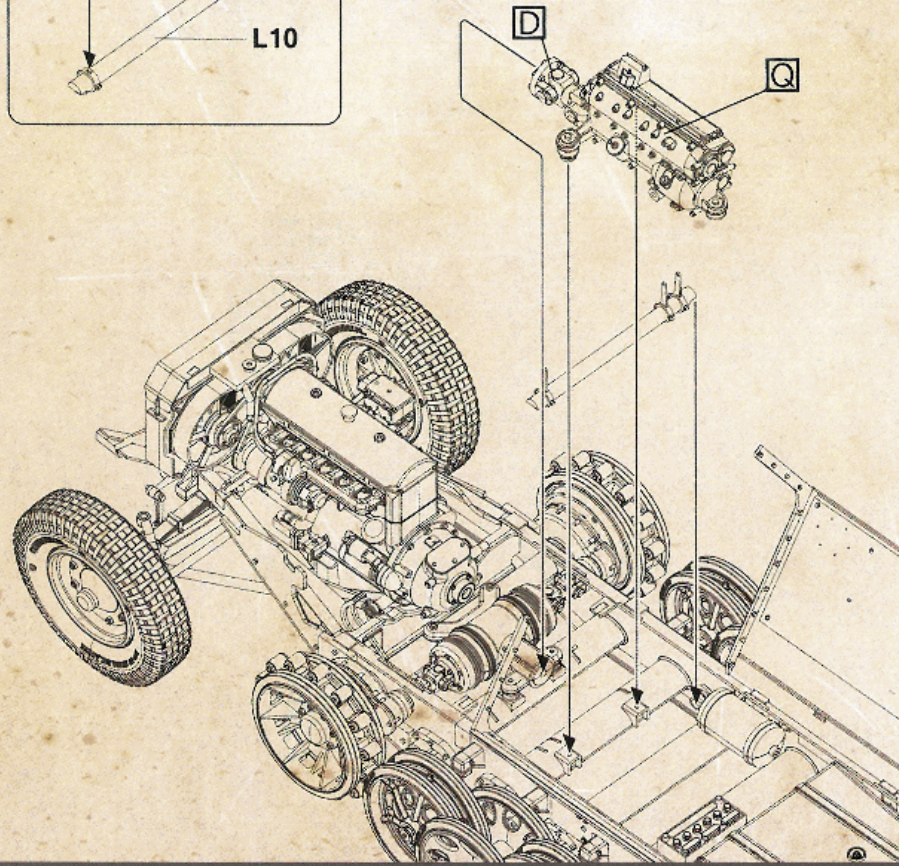
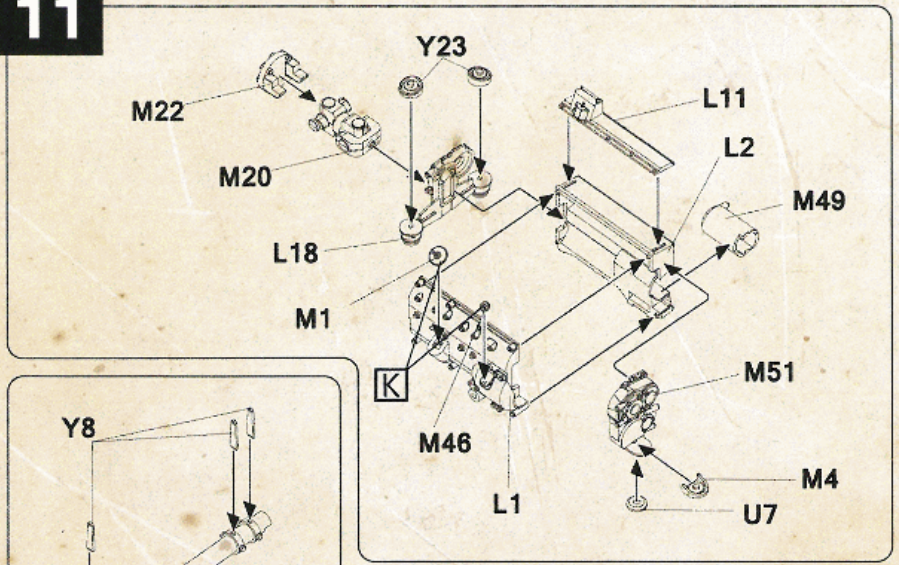




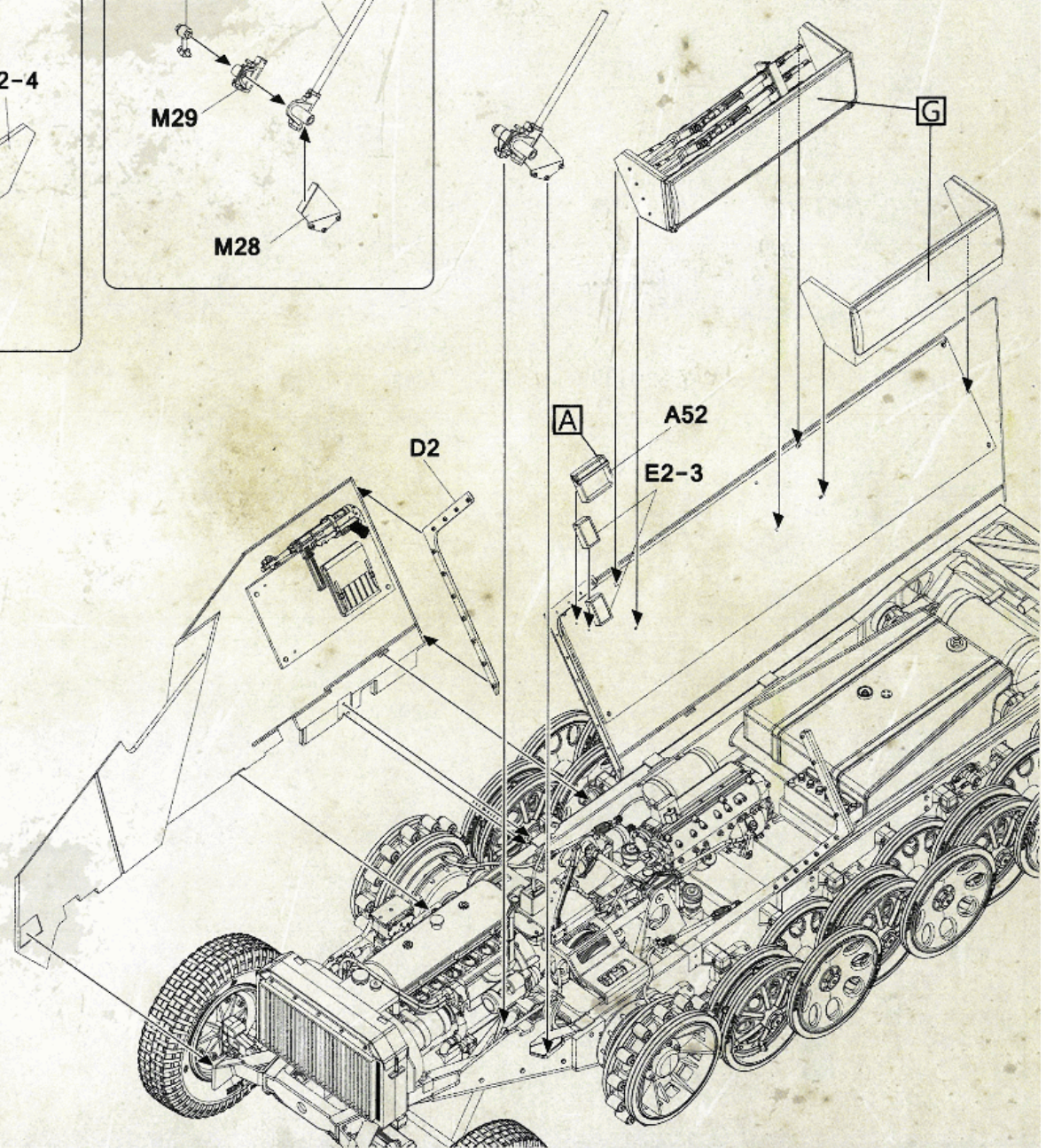
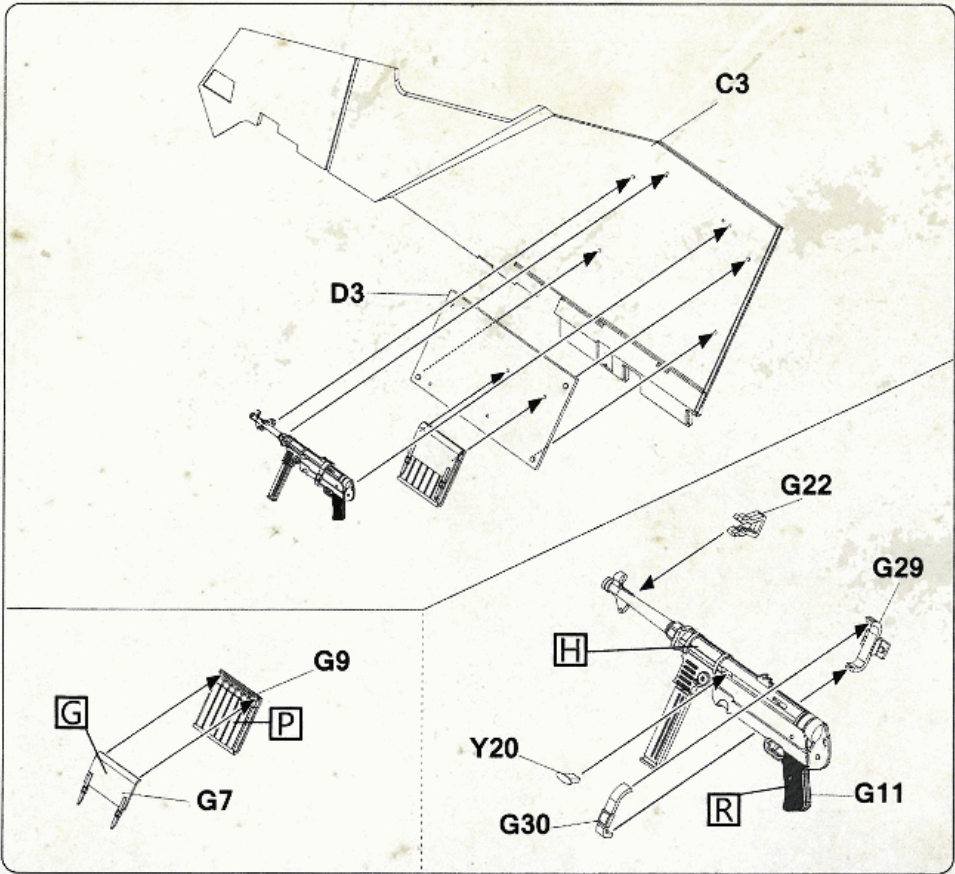
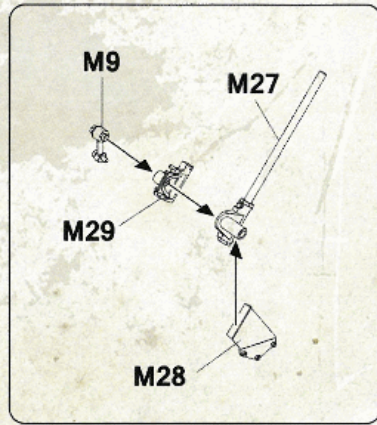
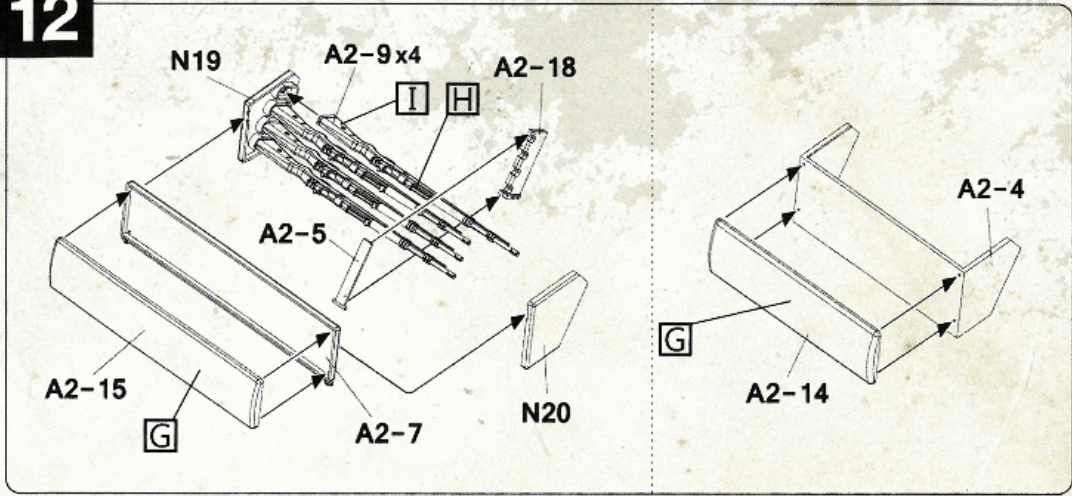




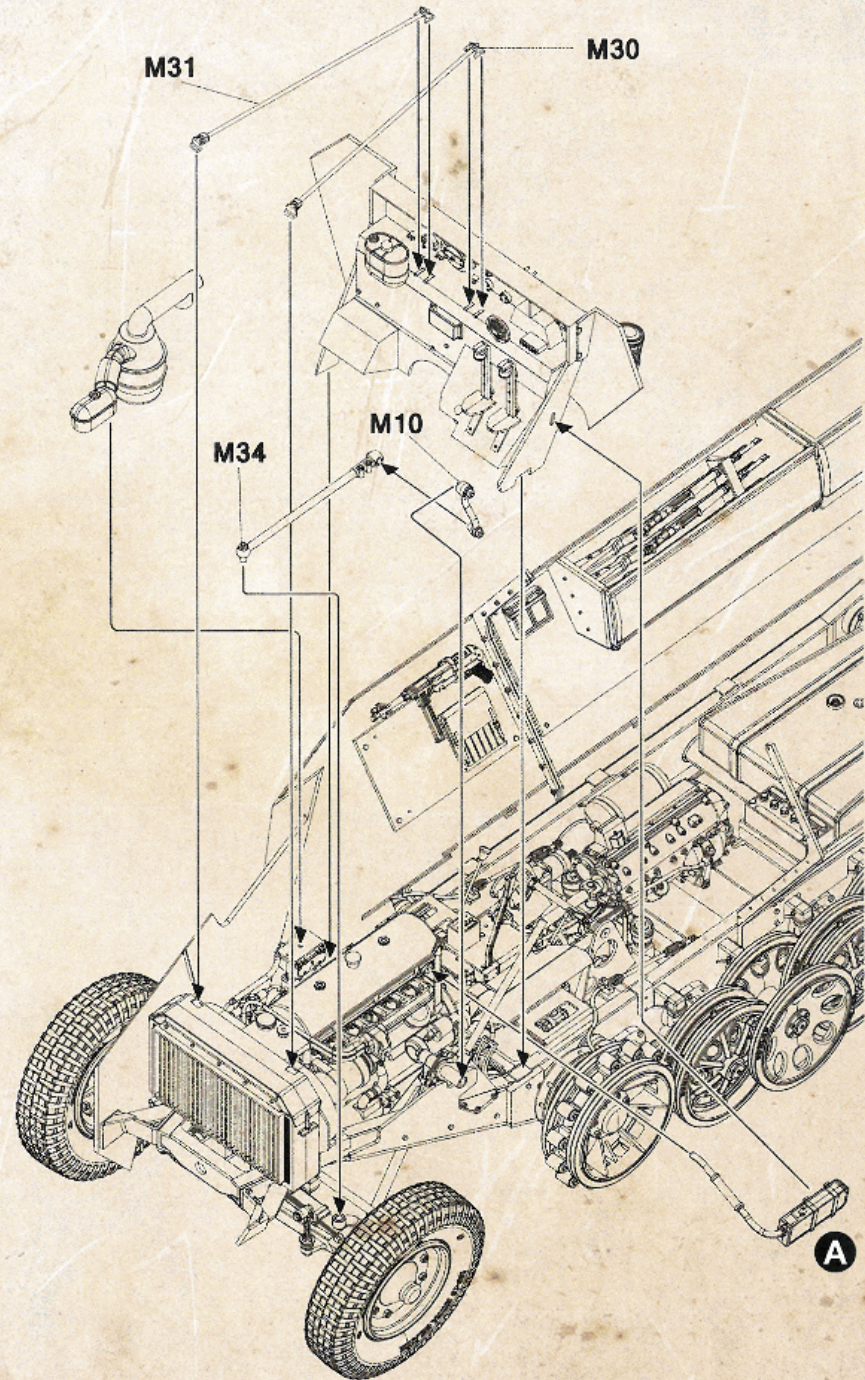
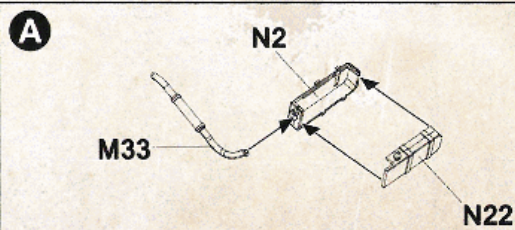
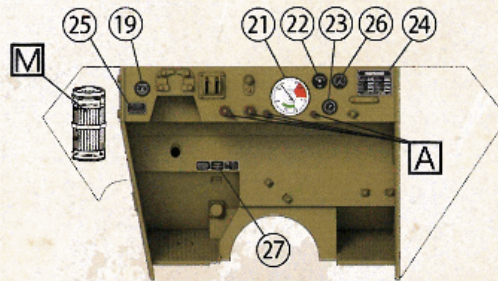
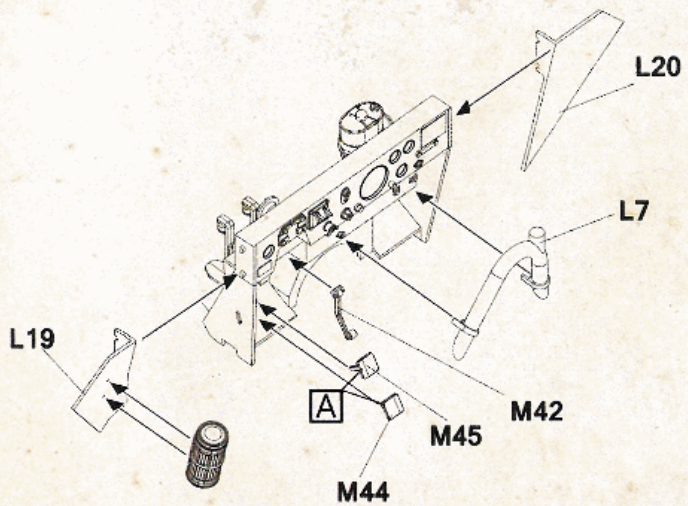
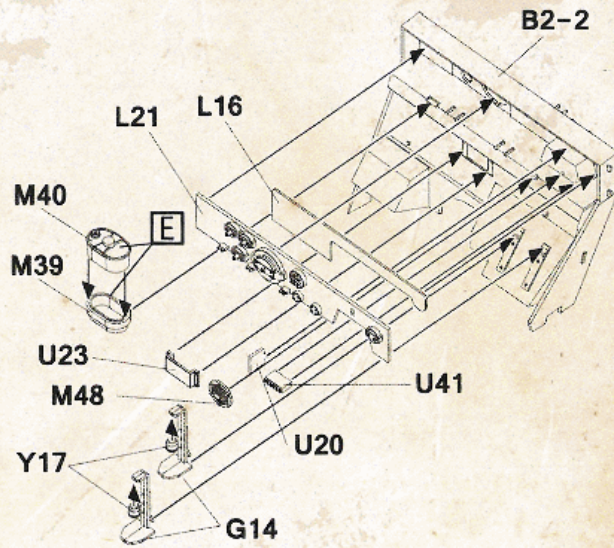
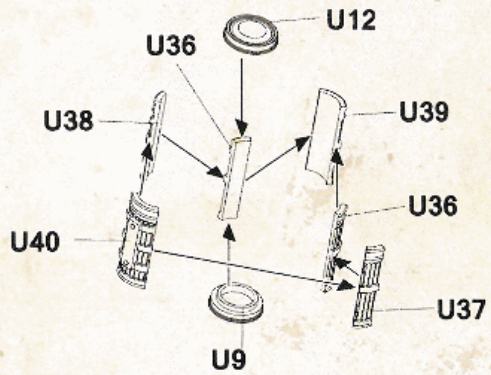
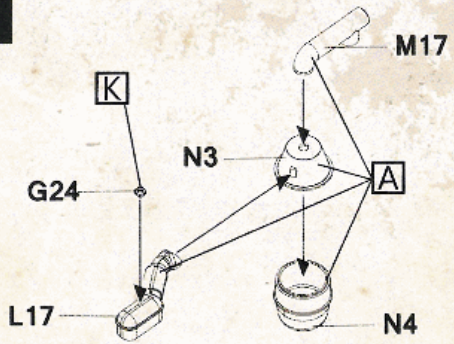




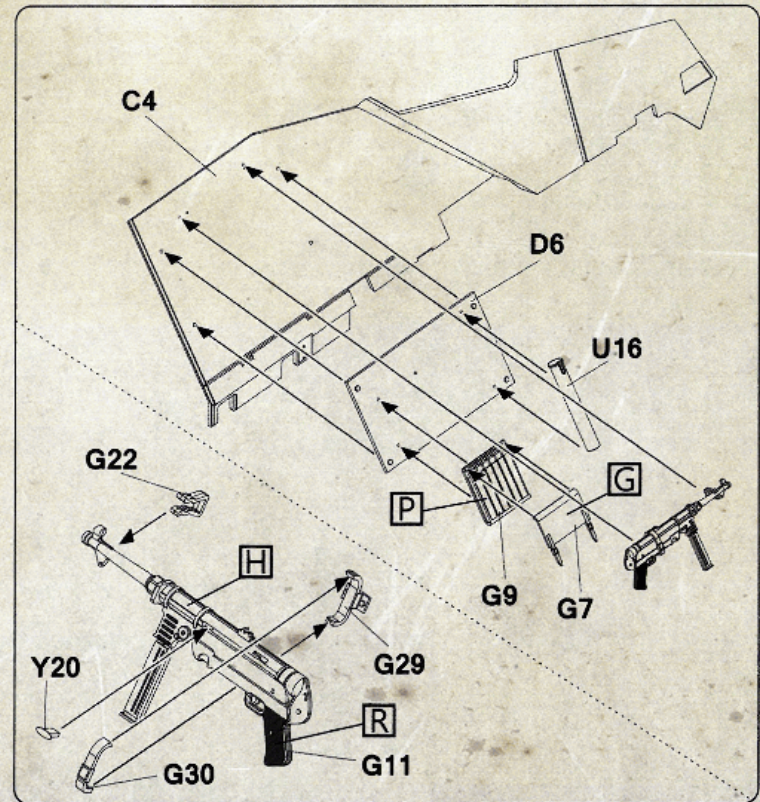
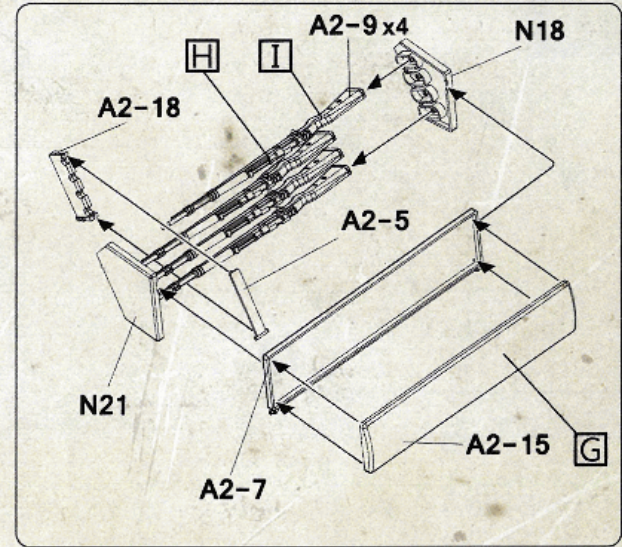
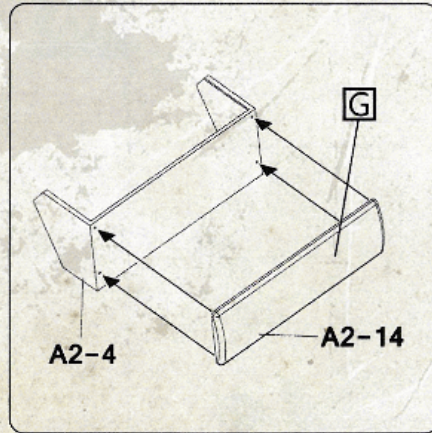
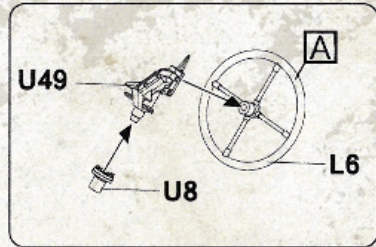
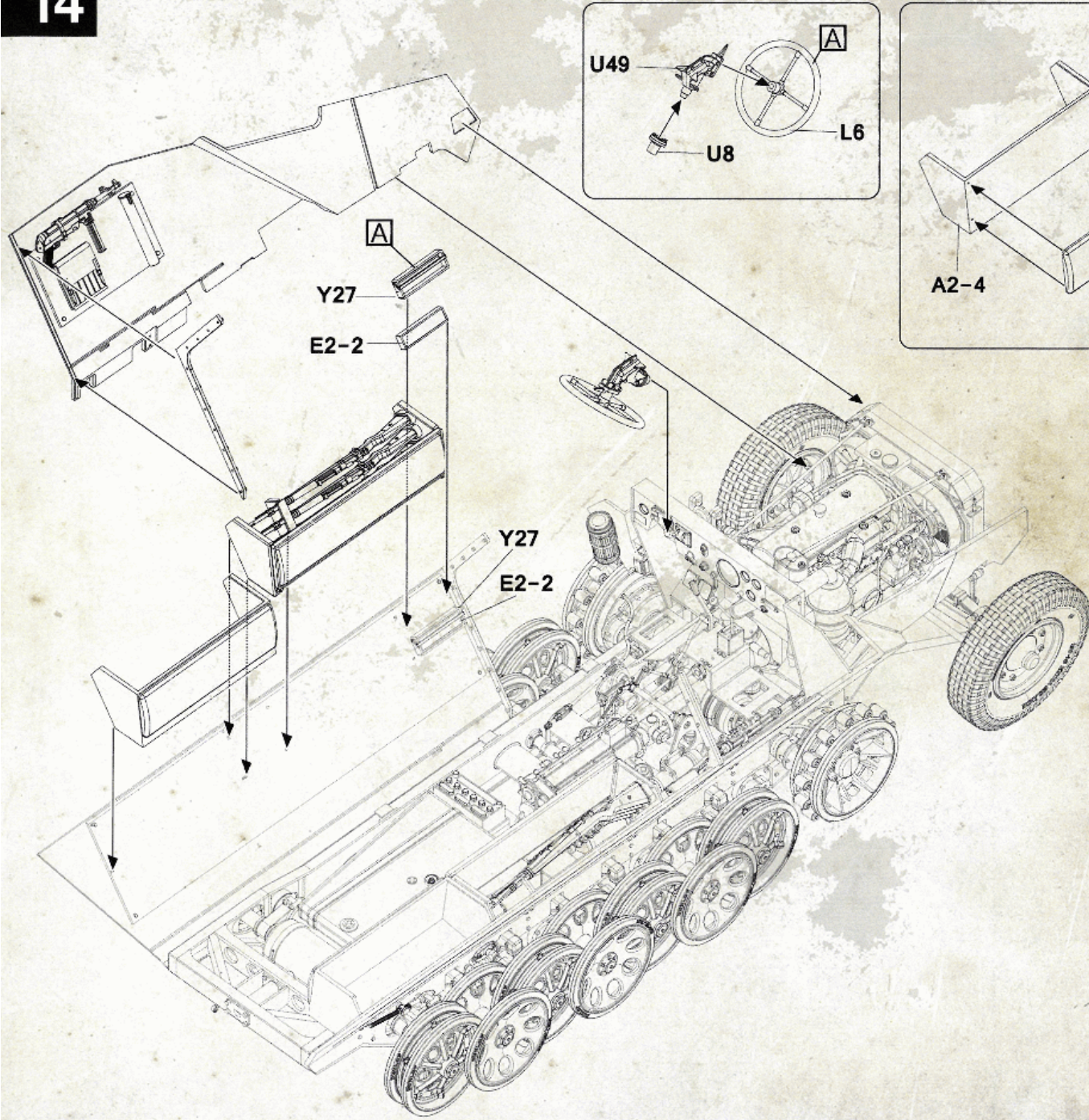






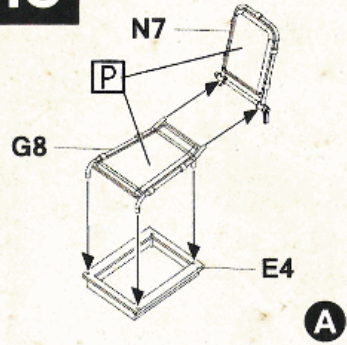




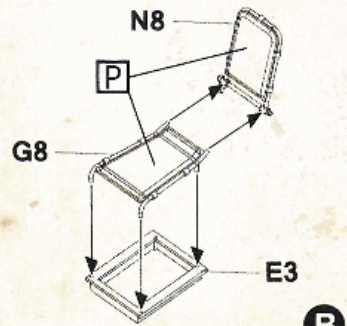




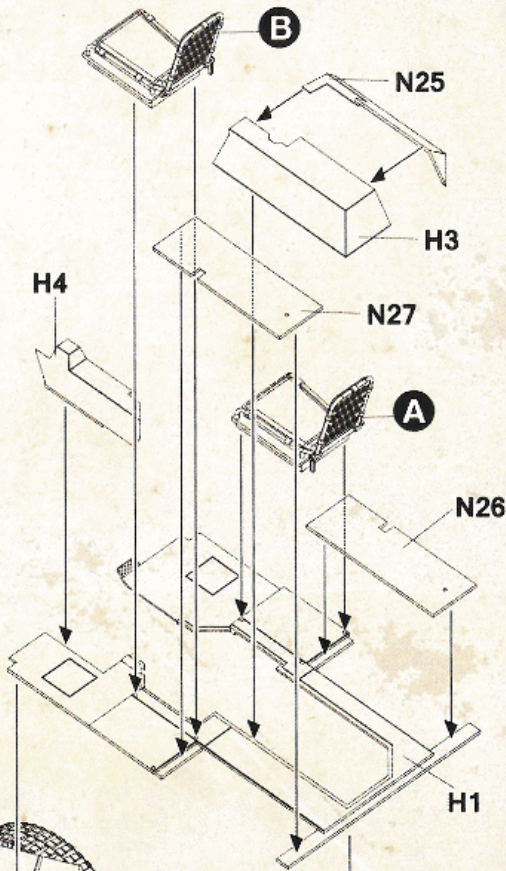
15



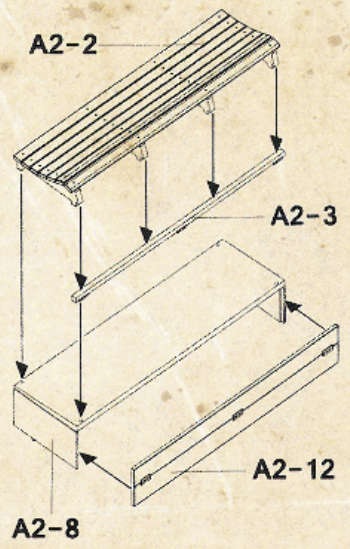
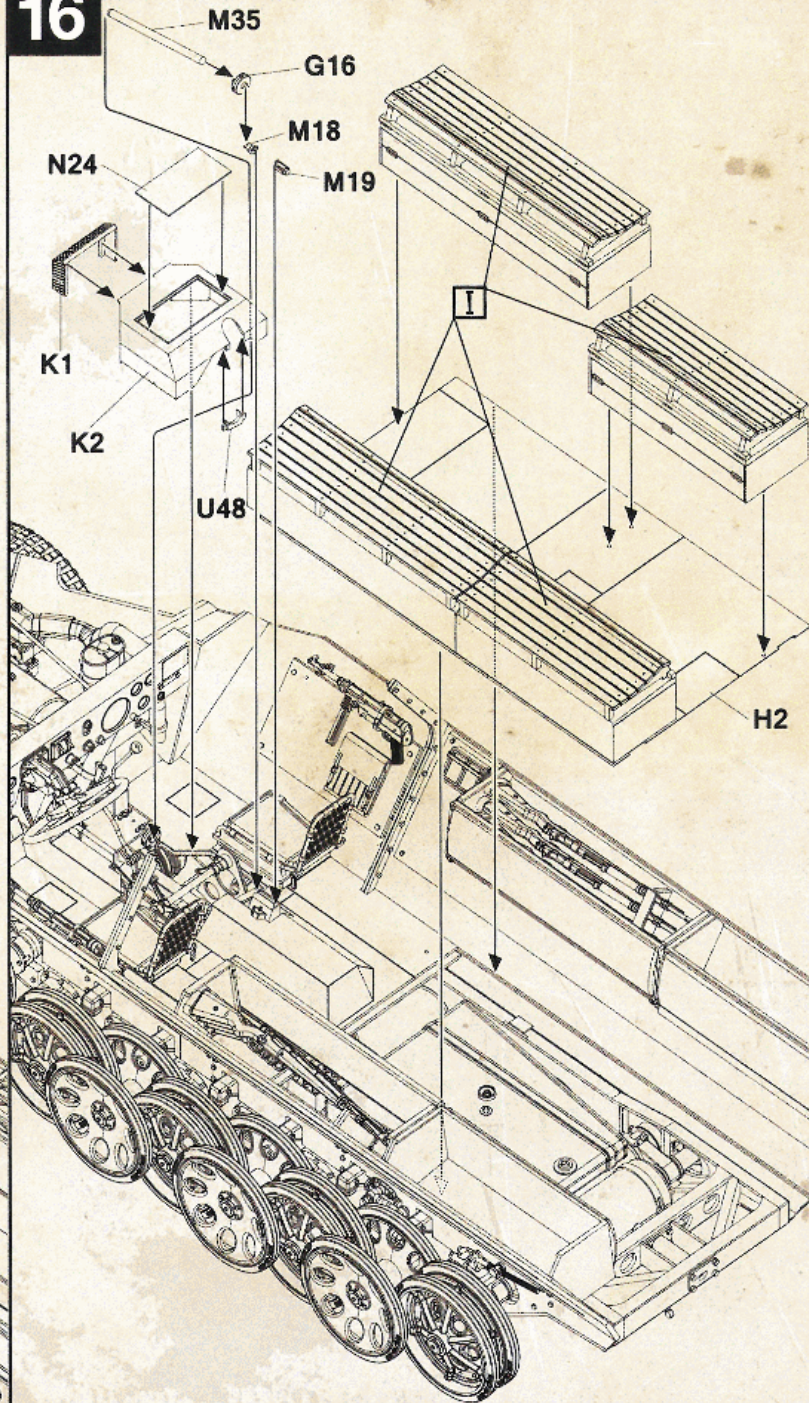
A



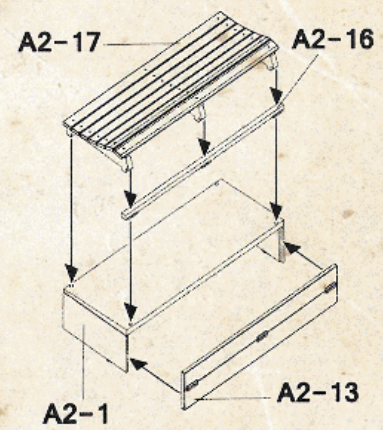
B



16

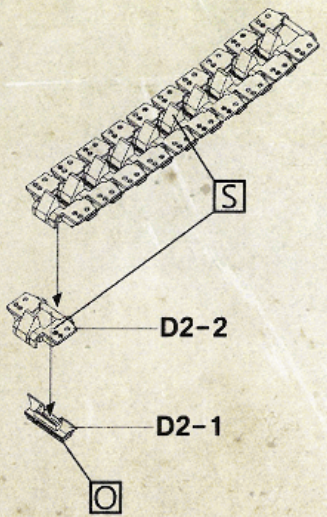
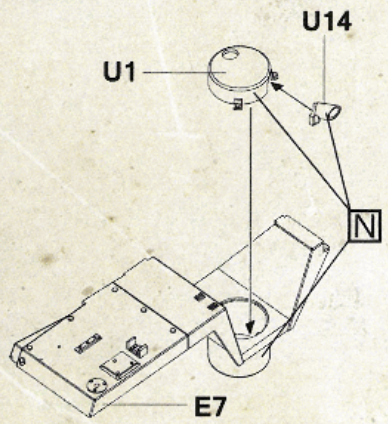


Make 2

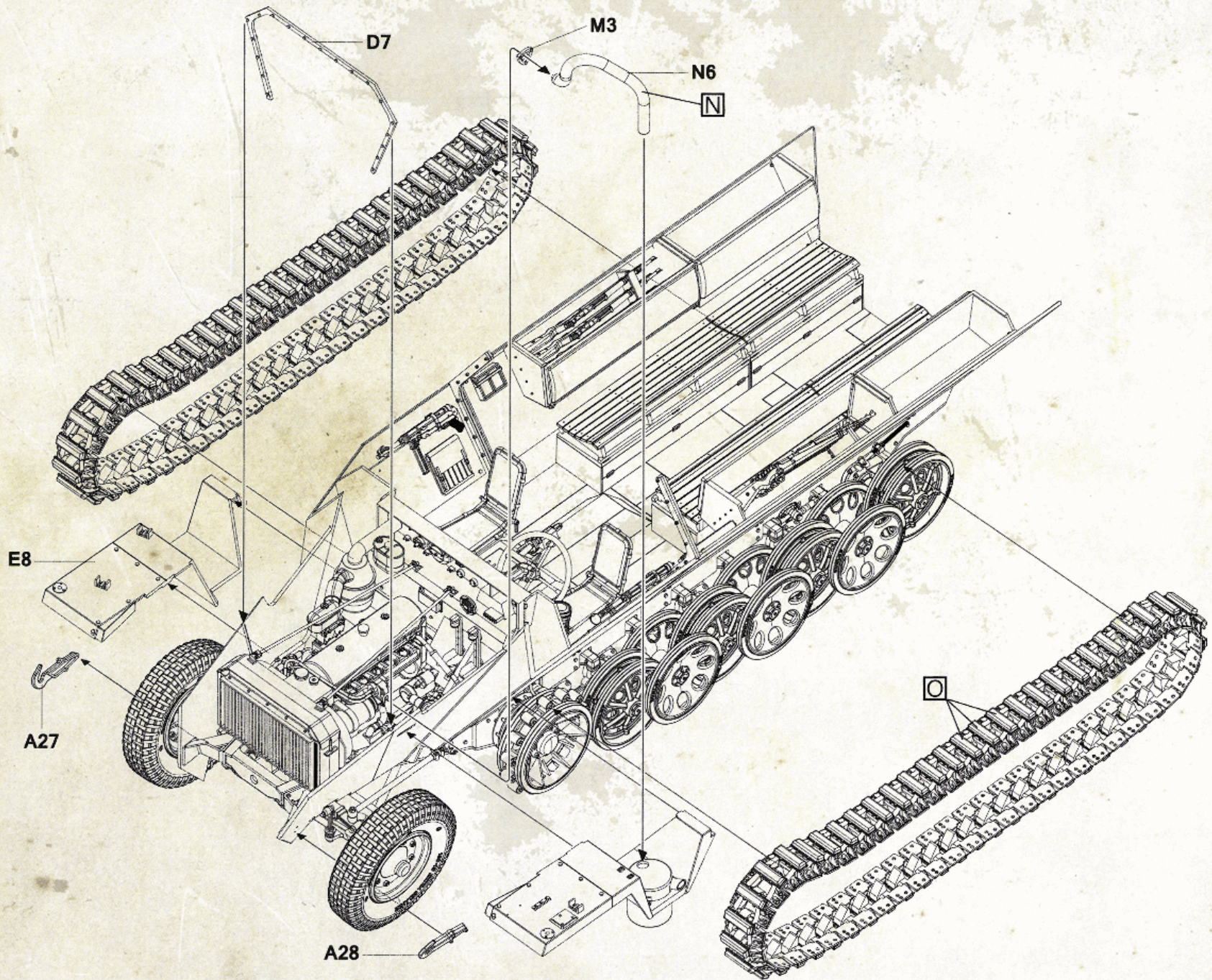


Make 2

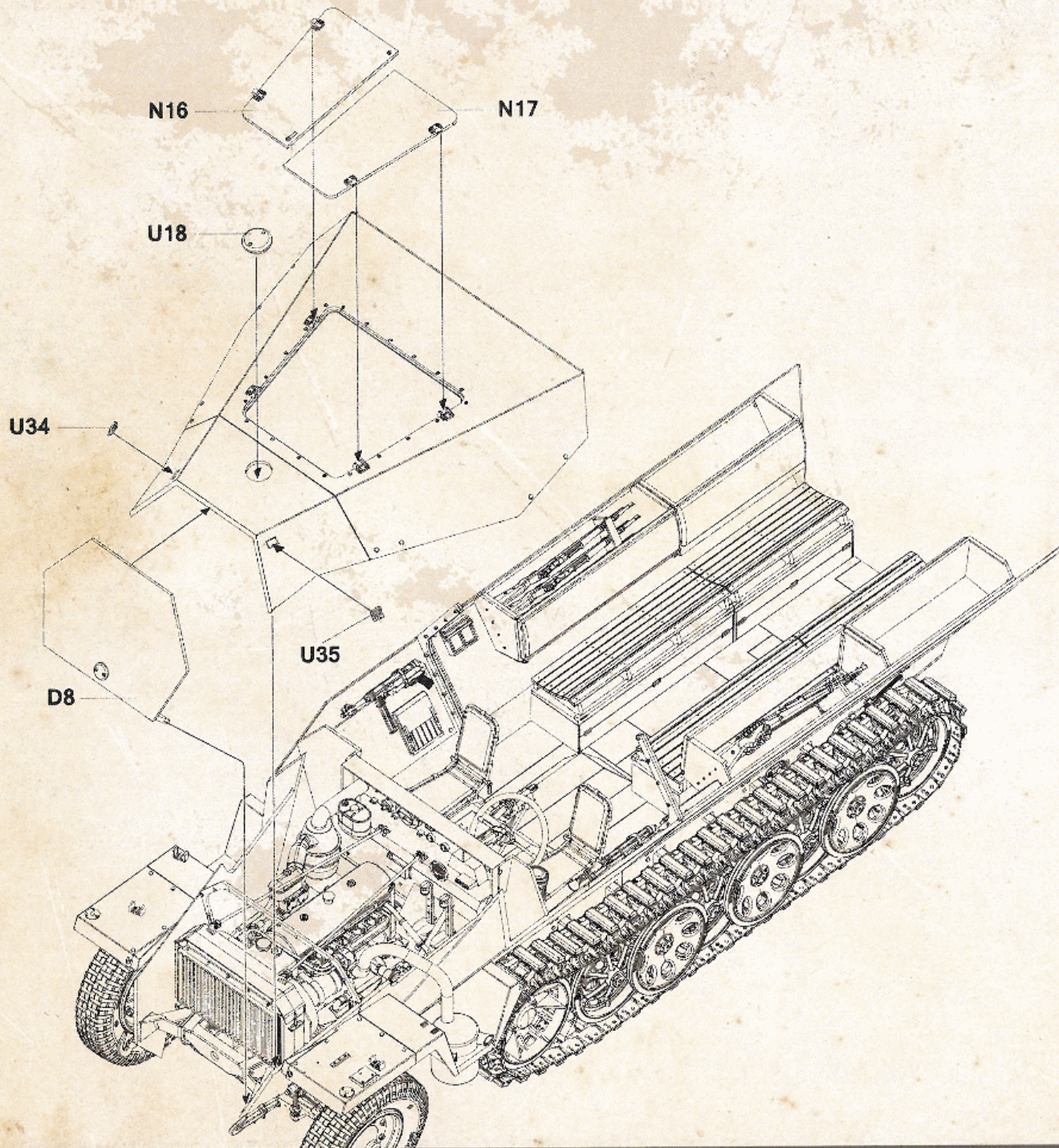
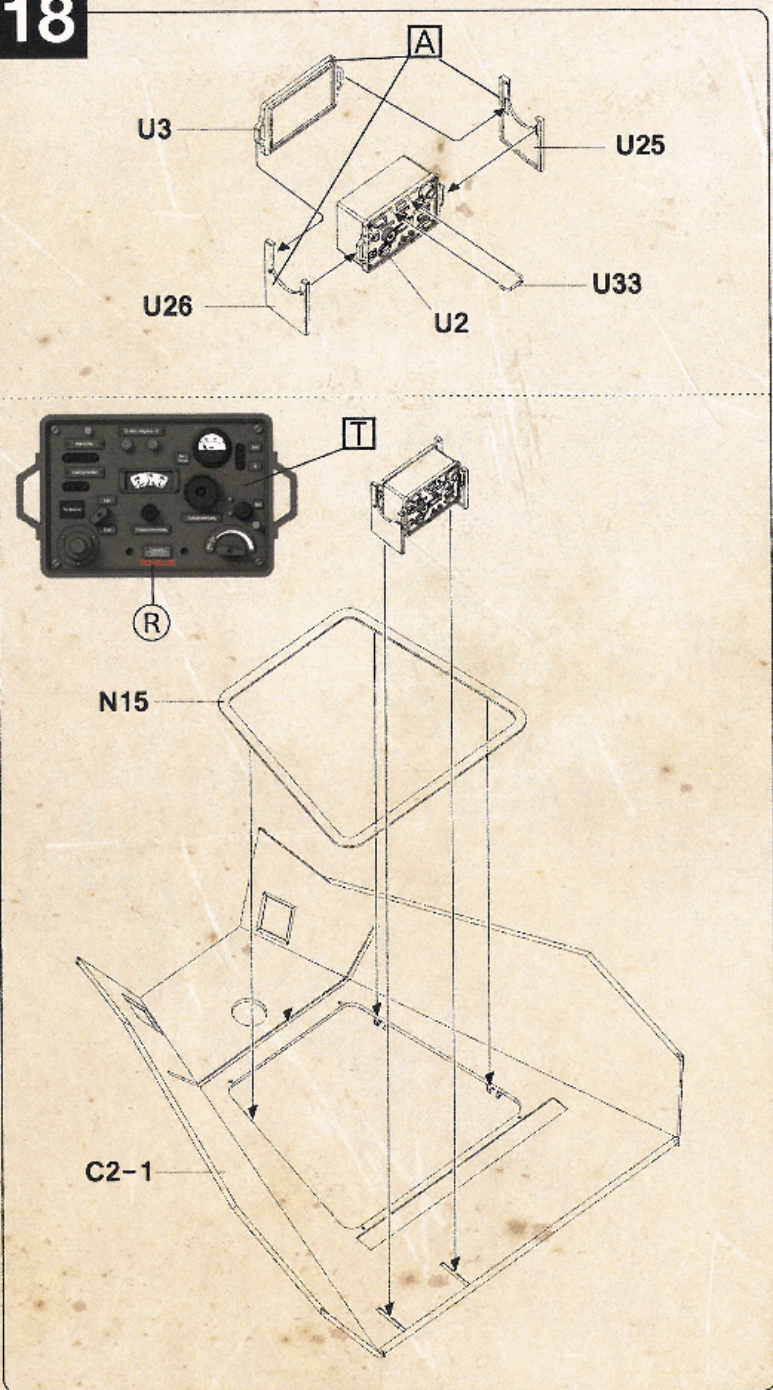




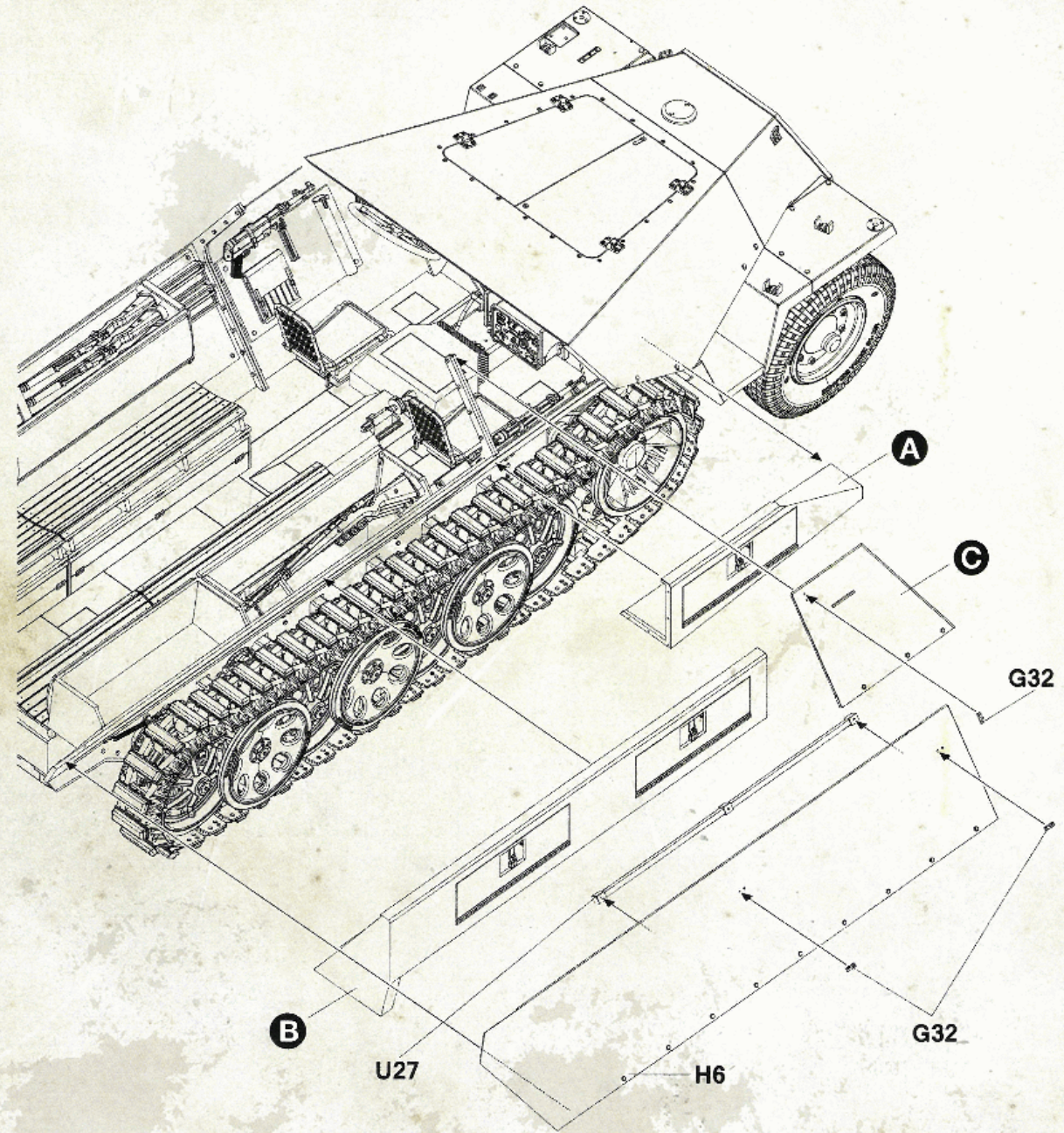
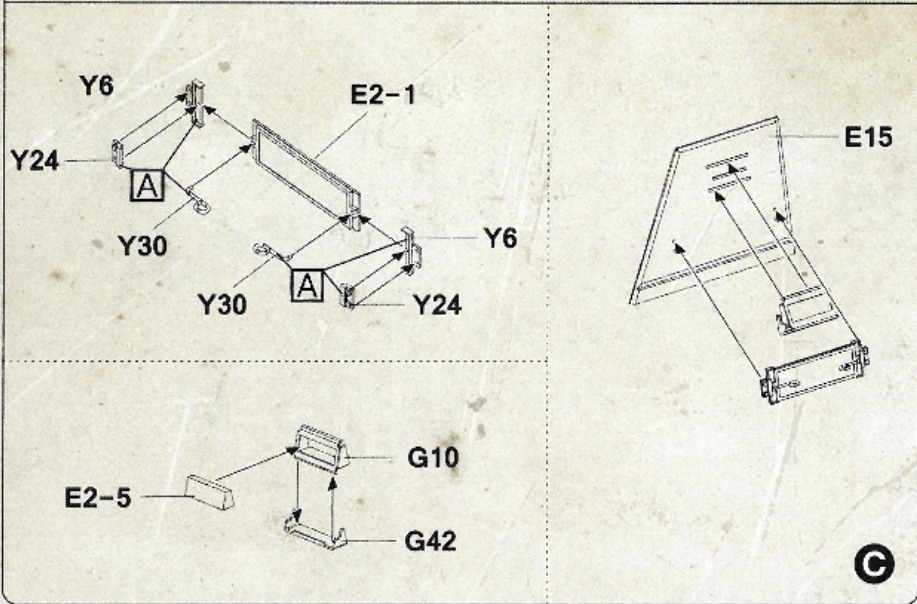
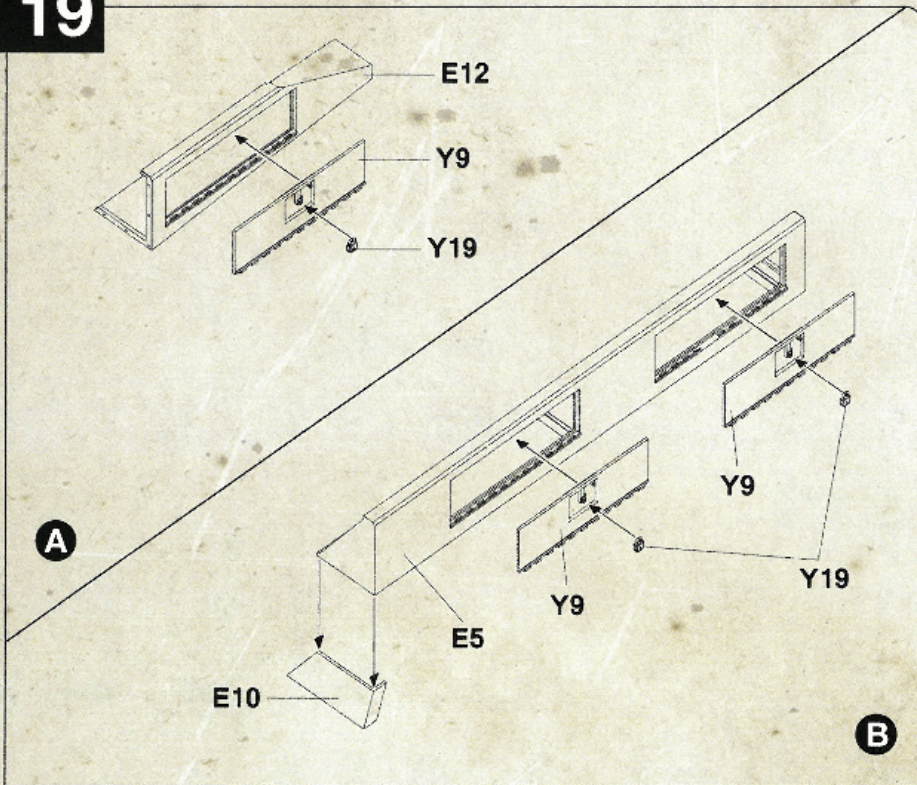
55 for one side



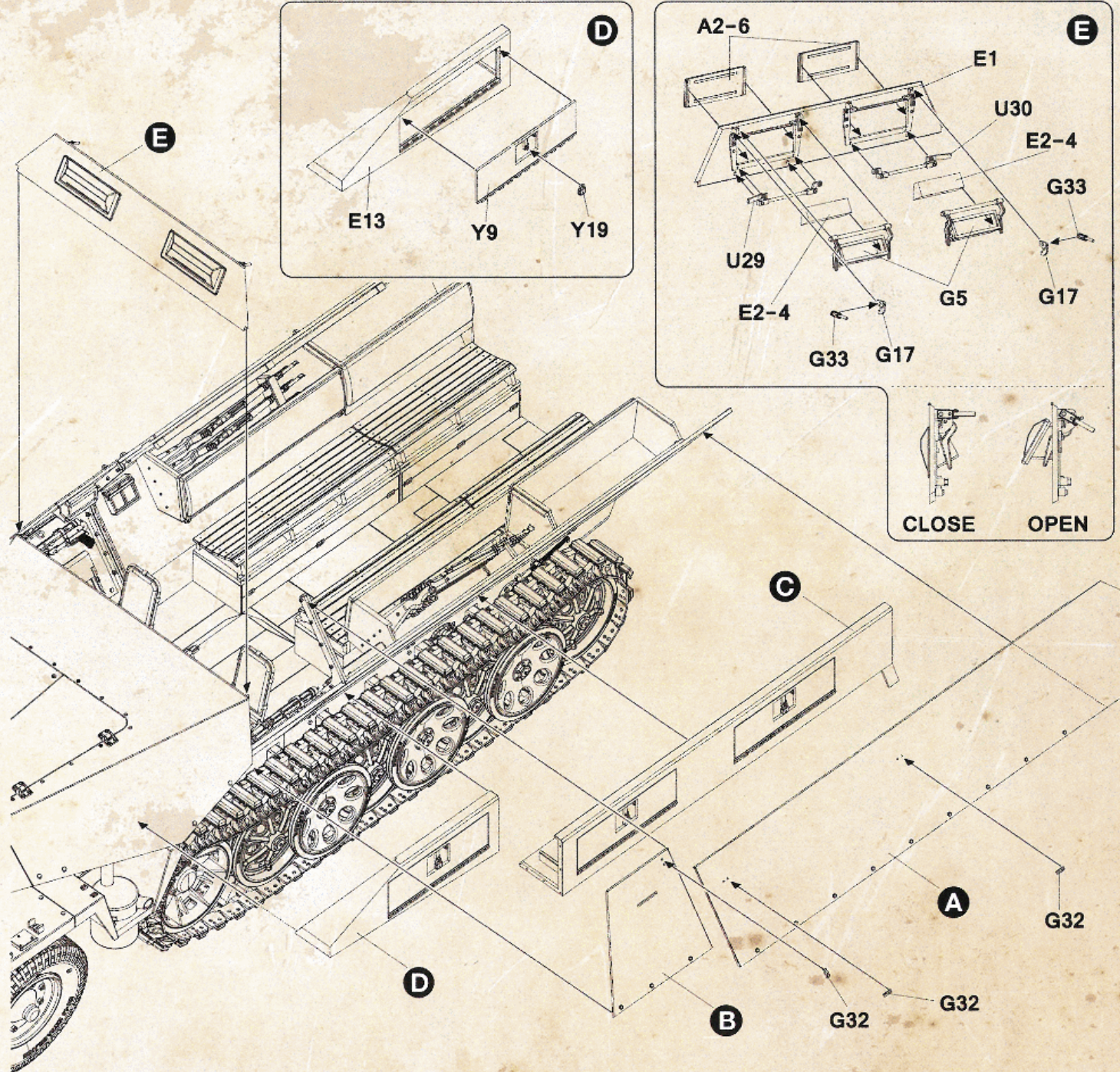
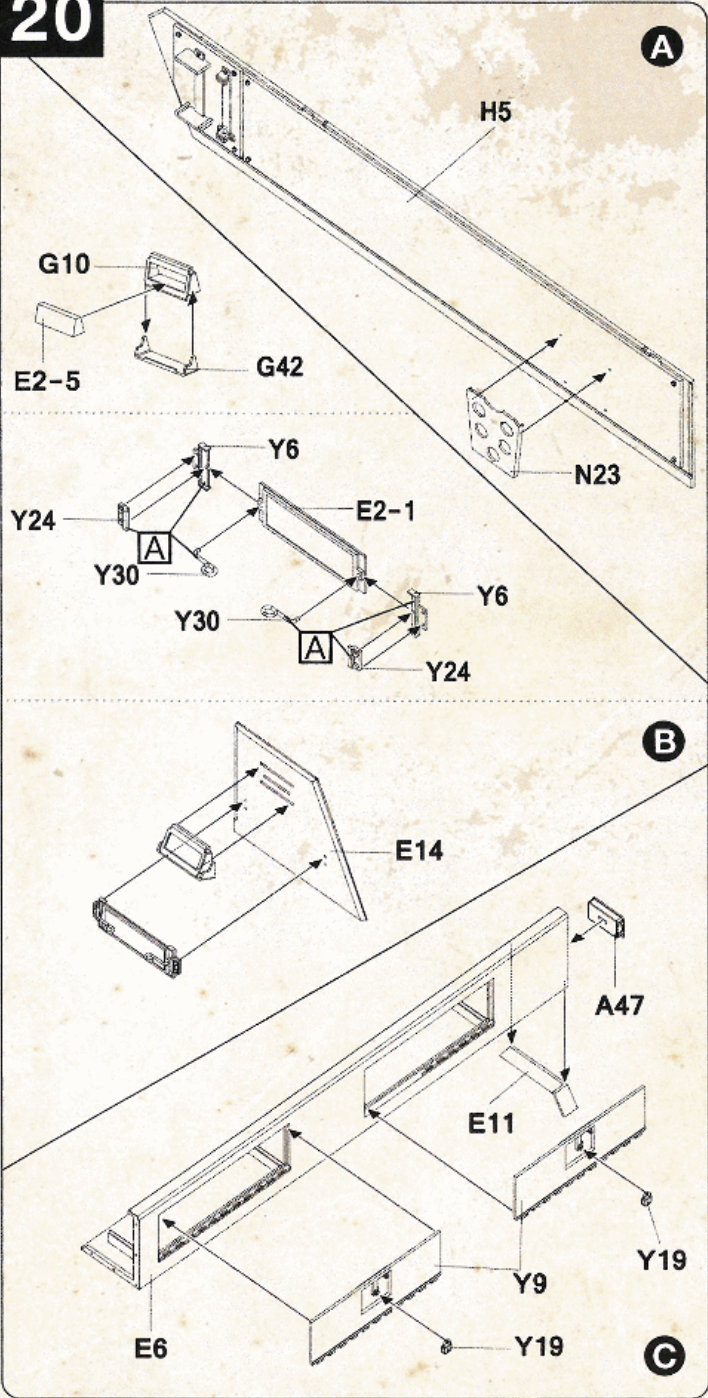




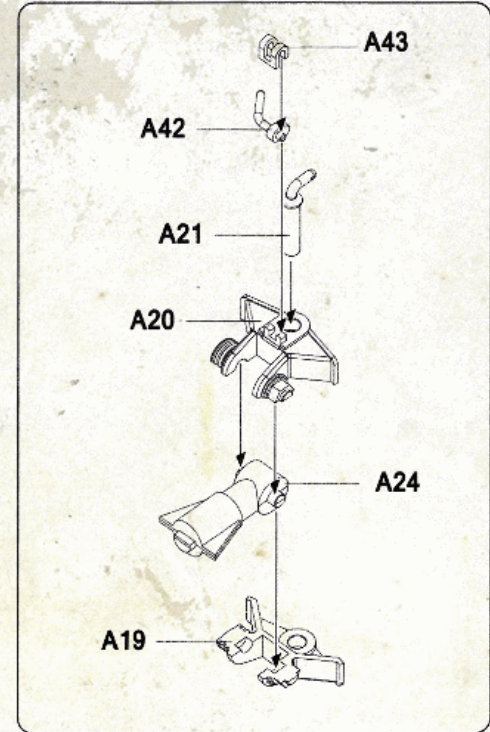
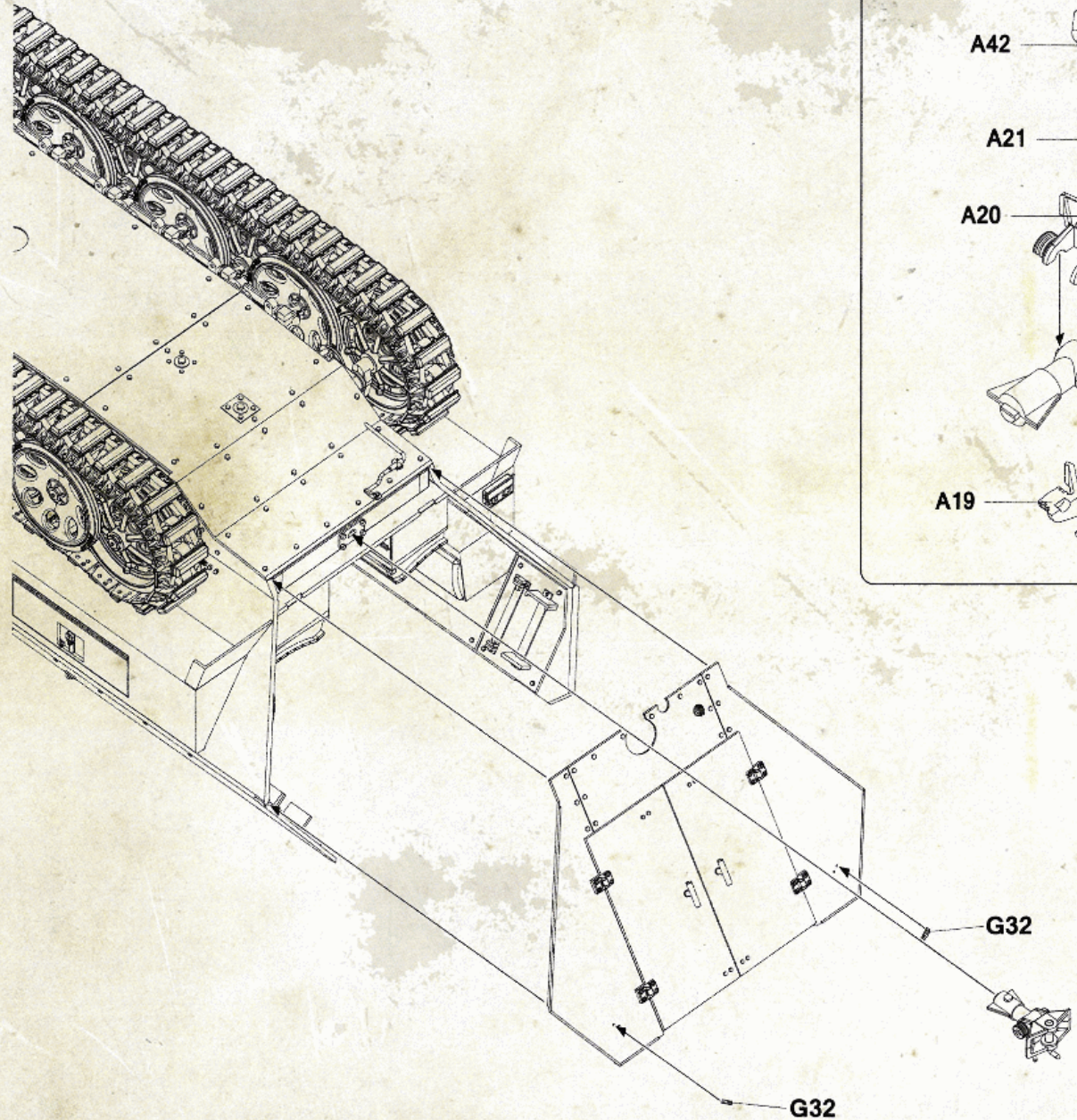
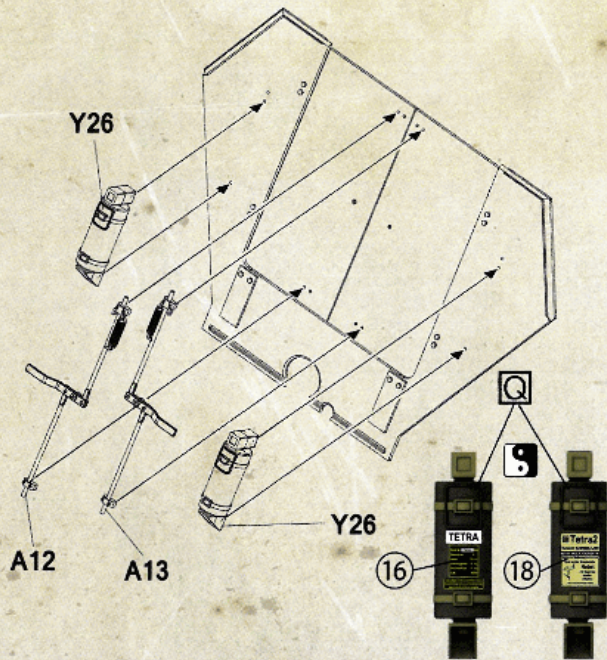
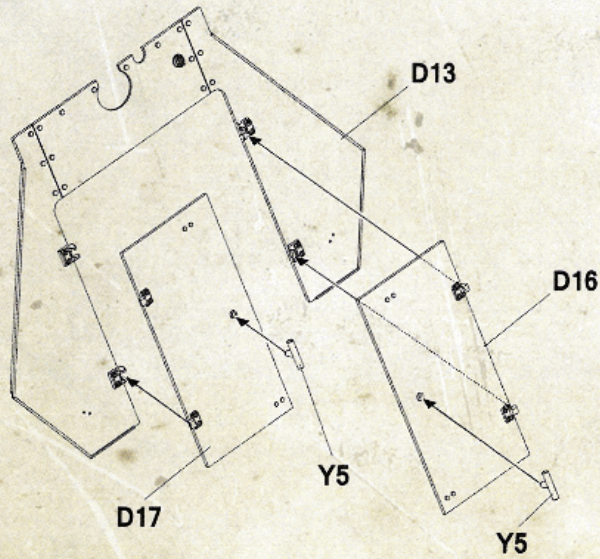






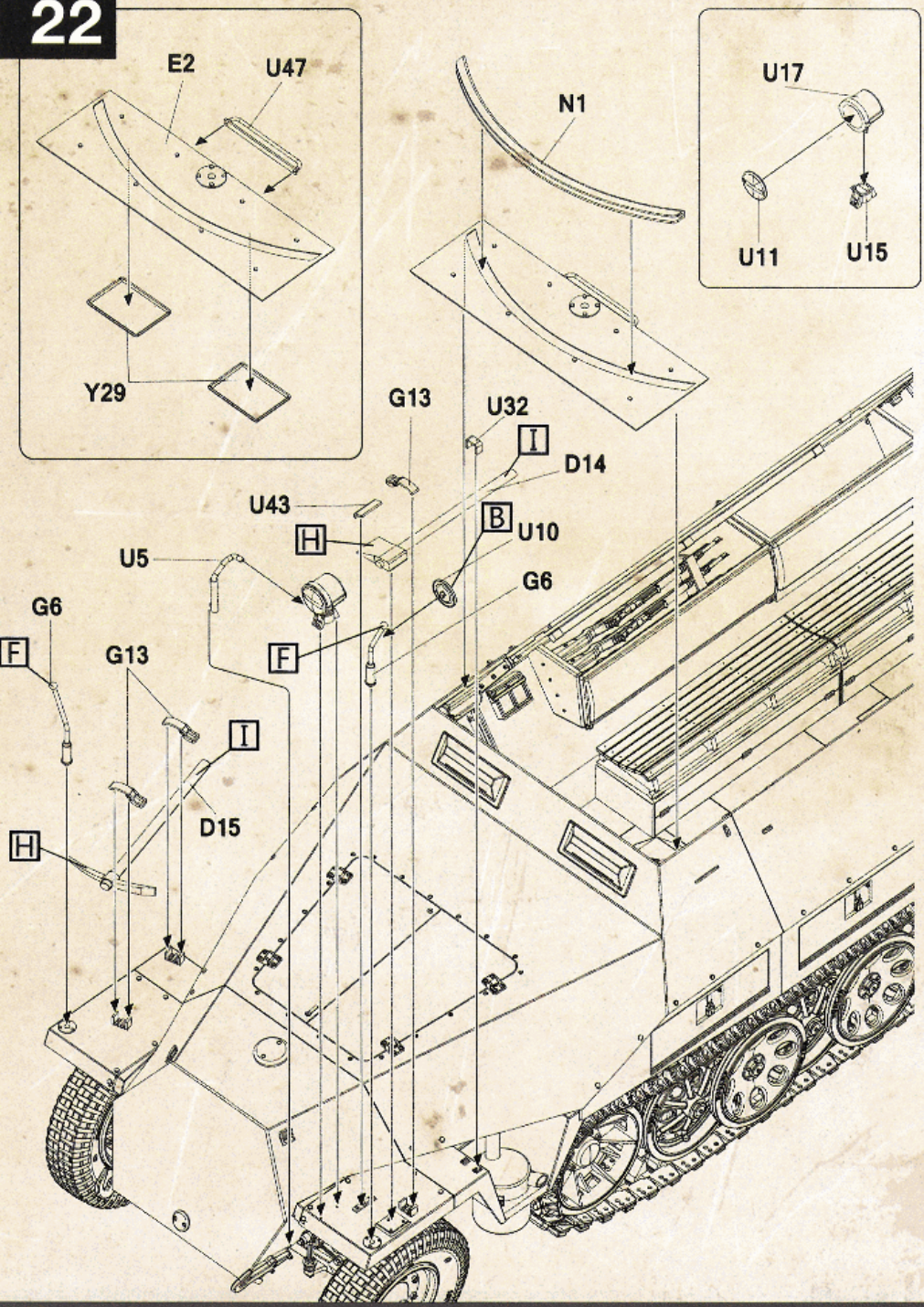




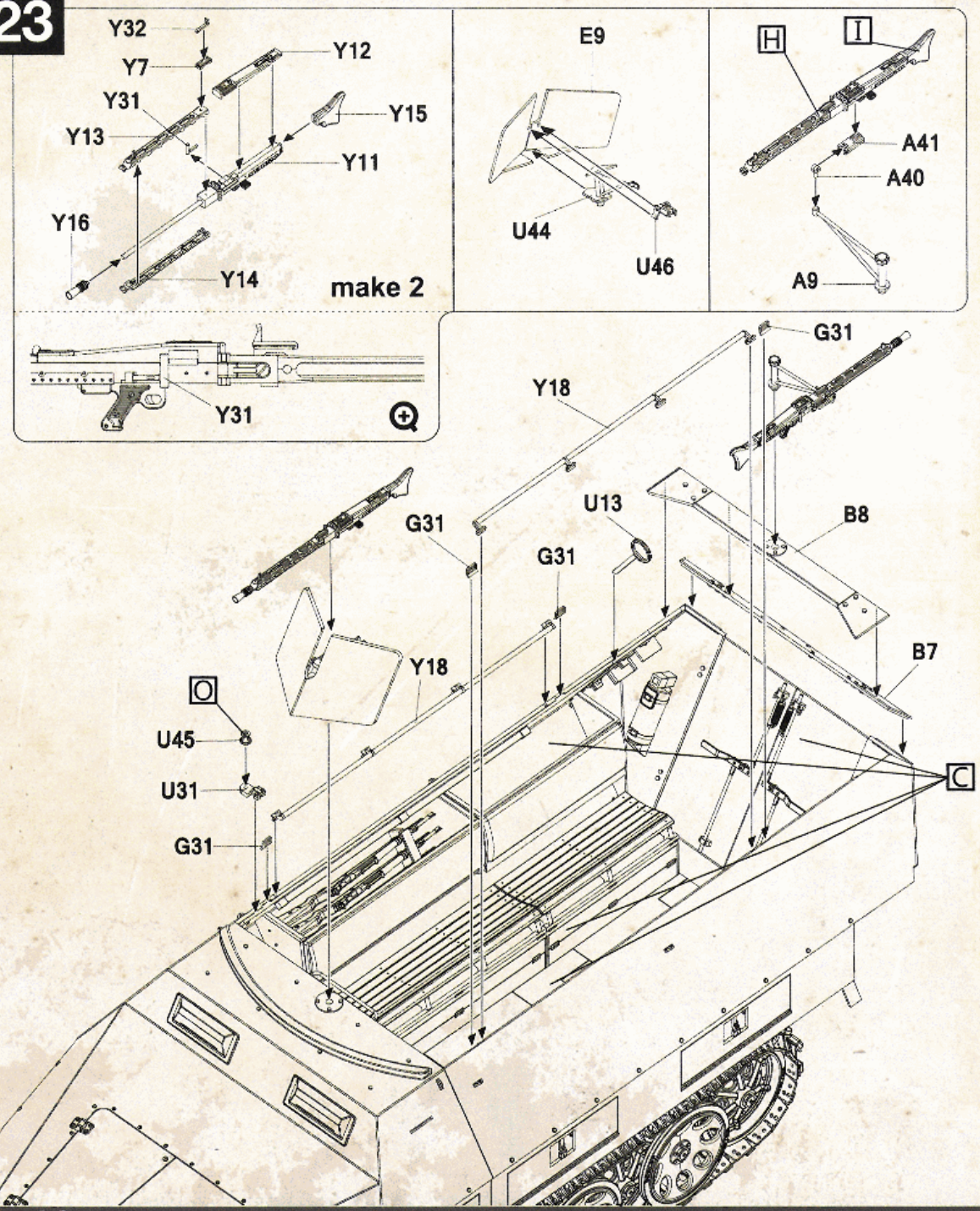




22



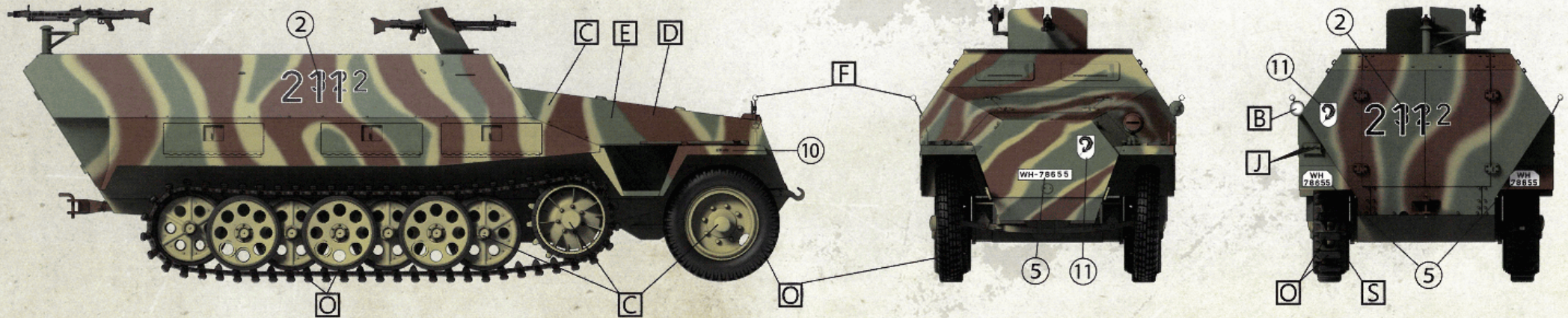
23



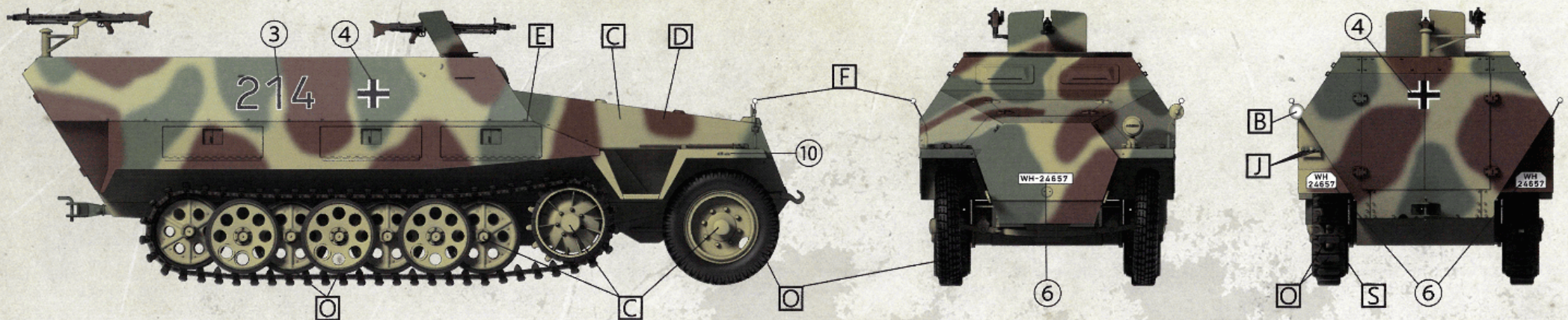


## Painting and Marking Guide

97. Jäger-Division, April 1945 Eastern front, Bohemia, Deutschbrod



PzGren. Rgt.25 (12.Pz. Division), Nov. 1944, Eastern Front, Kurland







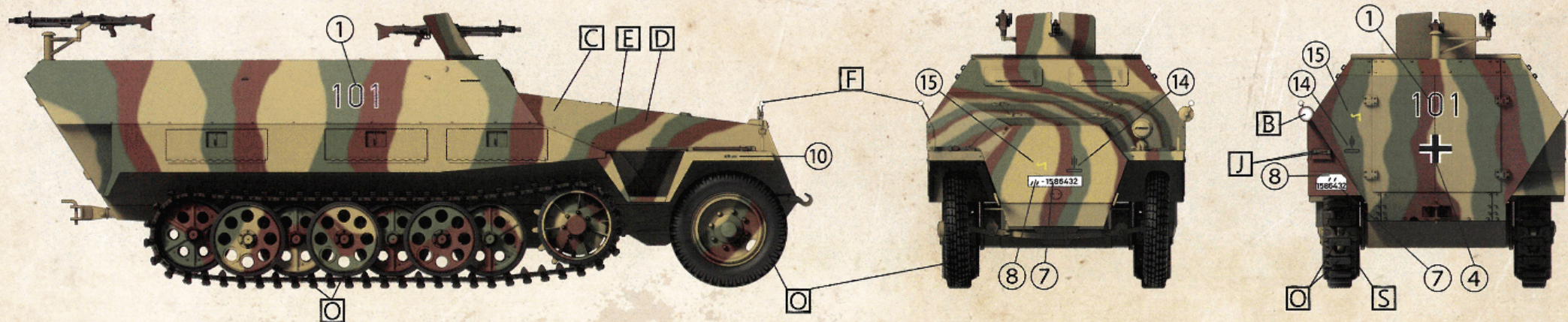
# Sd.Kfz. 251/1 Ausf.D

color profiles by:

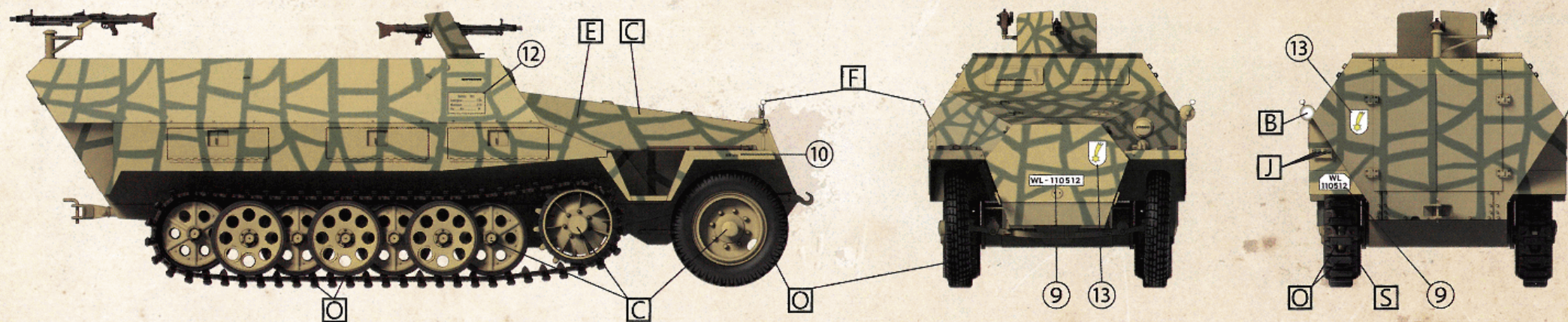
R O D N A

## Painting and Marking Guide

2.SS-Pz.Div. „Das Reich“, Juli 1944, France, Normandy, Periers area

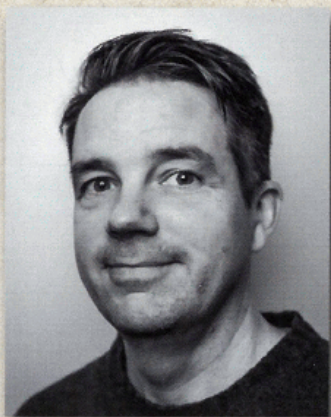


4. FschJg. Div., March/April 1944, Italy, Anzio Area





## The Crew of this project



**Harald Bauske - CEO**

As the owner and managing director of Modellbau König GmbH & Co KG, Harald assembled a team of creative professionals and provided the budgets to pursue one of his dreams: releasing a plastic model kit under his own brand. Since late 2018, his dream has come true with several releases of Das Werk. Back in 1999, when he made the first steps with his company, he did not imagine that this dream would ever become a reality.



**Dietrich Wolf – 3D Designer/historic modeler**  
He studied mechanical engineering, lives and works in his profession as design engineer manager in Austria.

Since his early childhood he developed a deep interest in warhistory from the 16-21 century and modelling scale models and dioramas. During the years he improved his manual skills and modelling techniques and created his own balanced style especially in diorama construction.

He developed resin mastermodels and 3D models for modelcompanies like Wiener Modellbaumanufaktur, Schaffon Modellbau, and Customscale.



**Jason - Artist and Designer**

The creator and owner of JASON STUDIO graduated from China Academy of Art with a master's degree. He started learning traditional painting at the age of ten and majored in sculpture at university. He loved military vehicle and plastic models since he was young. JASON STUDIO was founded in 2016 and provided CAD design, box art drawing and figure design and sculpting for many model brands.



**Felipe Rodríguez Nández - Artist**

Although he graduated as an architect, military history and modeling were his passions.

Since a few years he illustrates for publishers like Panzerwrecks and Osprey, and for model kit brands like Das Werk, AK interactive or Meng. He tries to make the drawings as detailed and technical as possible but always with an important artistic and "hand made" imprint.



# Das Werk

Check out other great kits from us:



DW16003 - StuG III w/Winterkette (1:16)



DW35034 - LARC-V Bundeswehr (1:35)



DW35012 - Trippel SG 6/38 (1:35)



DW35037 - 8t Zgkrwg. Sd.Kfz.7 (1:35)



DW35031 - Kanonenjagdpanzer (1:35)



DW35030 - Sd.Kfz.251/7 (1:35)



