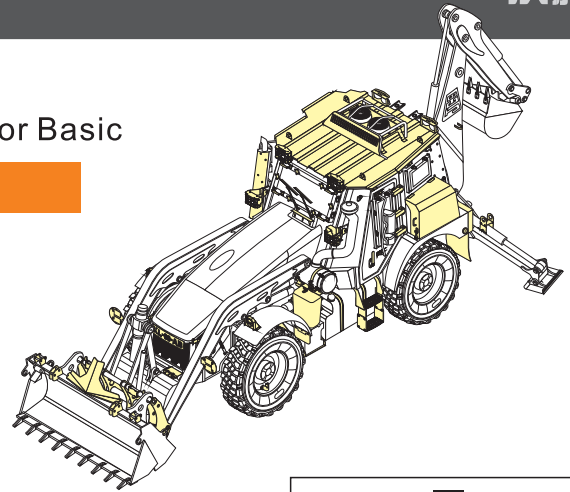


1/35 MILITARY MINIATURE VEHICLE UPGRADE SERIES PE351022

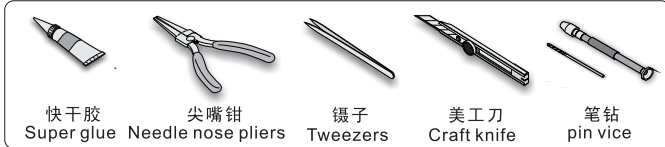
## WWII US Army High Mobility Engineer Excavator Basic

### 现代美军高速机动挖掘机改造件HMEE-1改造件

[Panda hobby Ph35041]



#### 推荐使用工具 RECOMMENDED TOOLS



快干胶 Super glue    尖嘴钳 Needle nose pliers    镊子 Tweezers    美工刀 Craft knife    笔钻 pin vice

- ↑  
安装  
install
- ↩  
折叠  
bend
- A1**  
改造件零件编号  
PE/resin part number
- B12**  
原零件编号  
kit part number
- C22**  
被替换的原零件编号  
replaced kit part number
- ◀▶  
另一侧相同制作  
repeat on opposite side
- ✂  
切除  
remove
- 🔪  
打磨  
grind off
- 🔄  
弧度卷曲  
radial bending
- x2**  
制作若干组  
multiple assembly
- ⇄  
选择安装  
alternative
- 🔧  
钻孔  
drill
- 用胶棒制作  
make from plastic rod

↓  
用尖端在凹槽处冲压  
use penpoint to press on the dent

蚀刻片零件内侧面向上  
Put the part upside down

用笔尖在凹槽处刺  
Use penpoint to press on the dent

**C6**

**x9 a**

**B6**    ∅0.5

**x12 b**

**B3**

**B12**

**x30 c**

自制 Scratch build

**D69, D70**

**A15**

**A16**

**x4 d**

**A5**

∅0.5

**x2**

**a**

**b**

**GP 5**

**C**

**a**

**B38**

**C14**

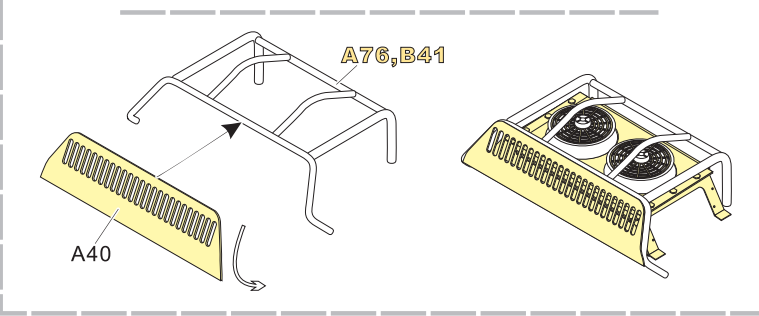
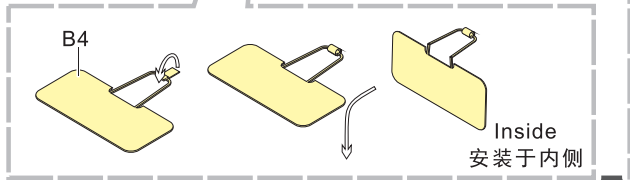
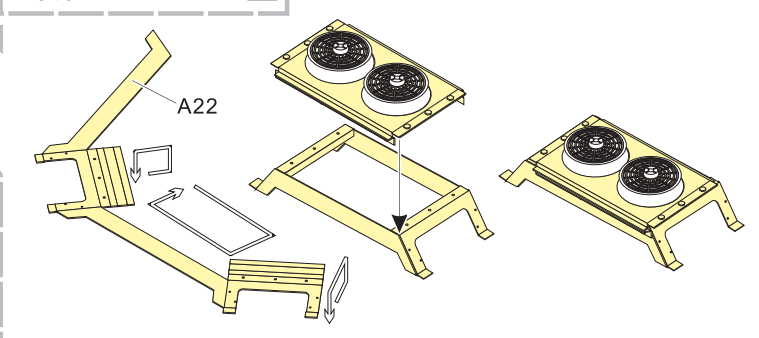
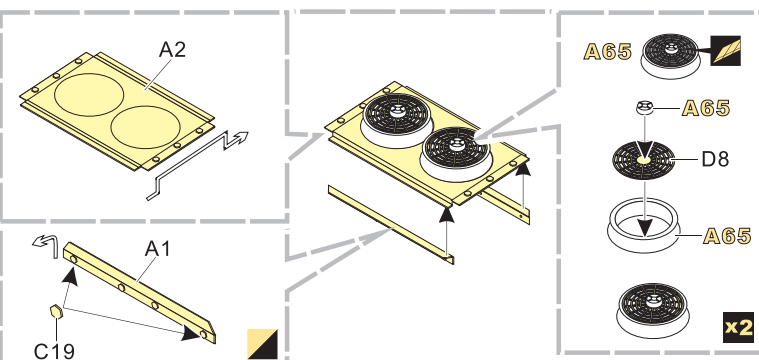
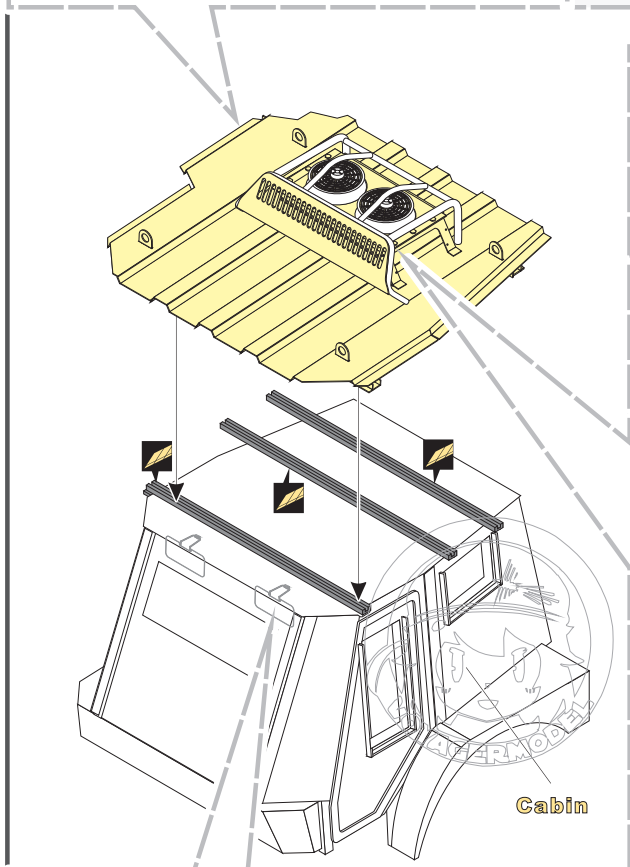
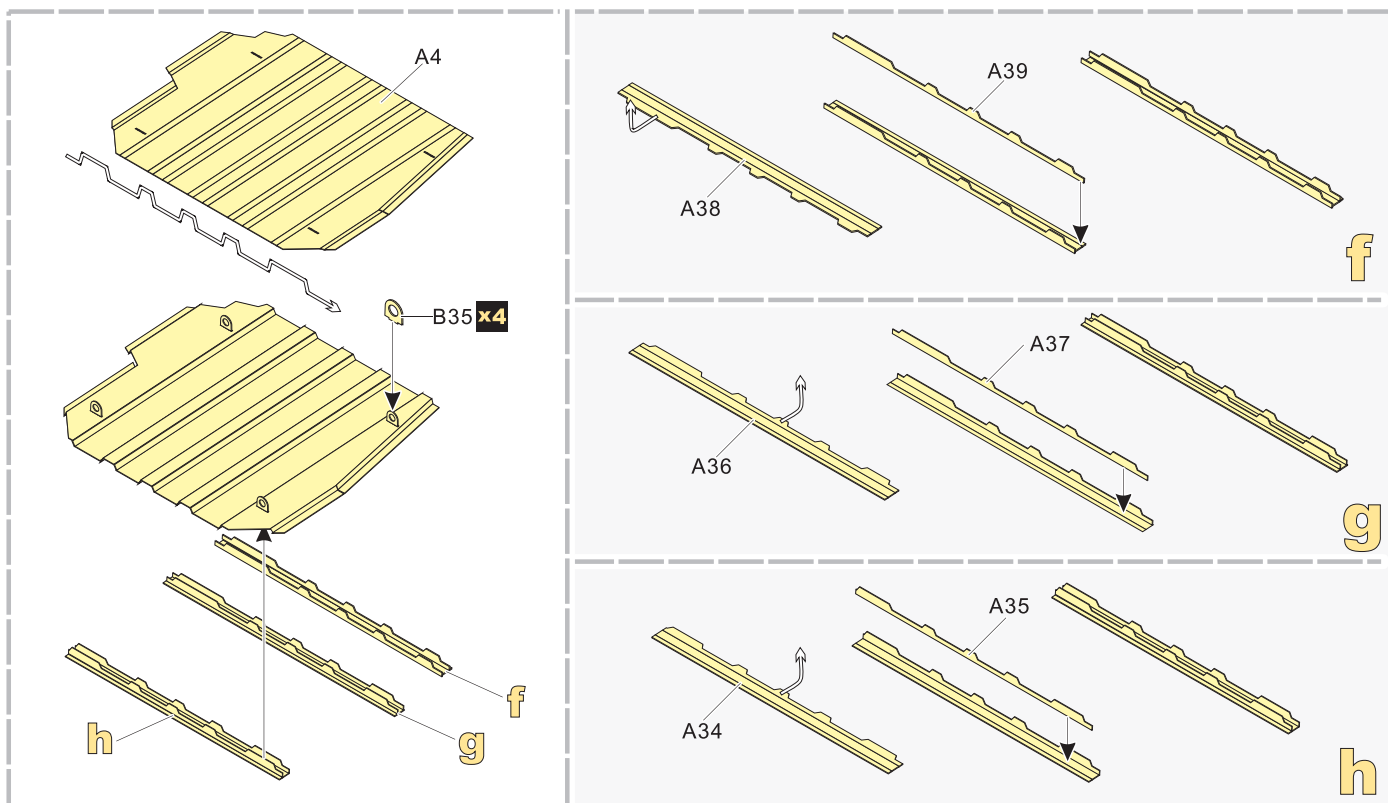
**C15**

**C18**

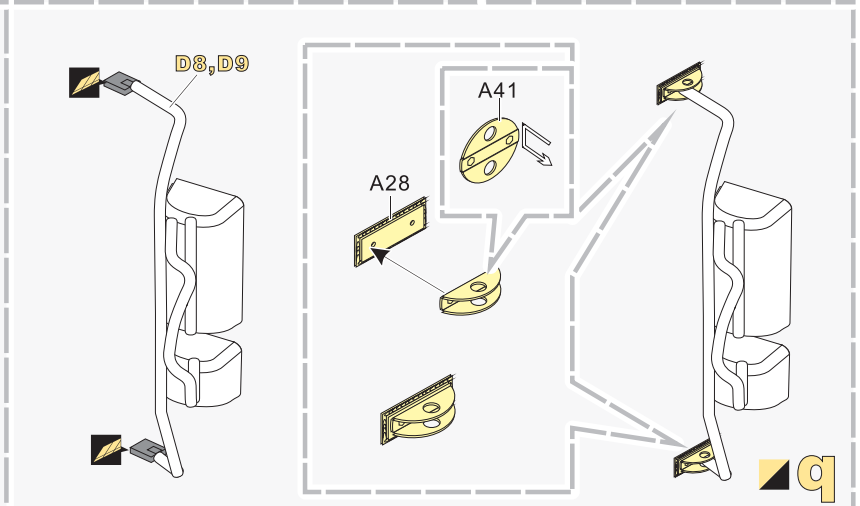
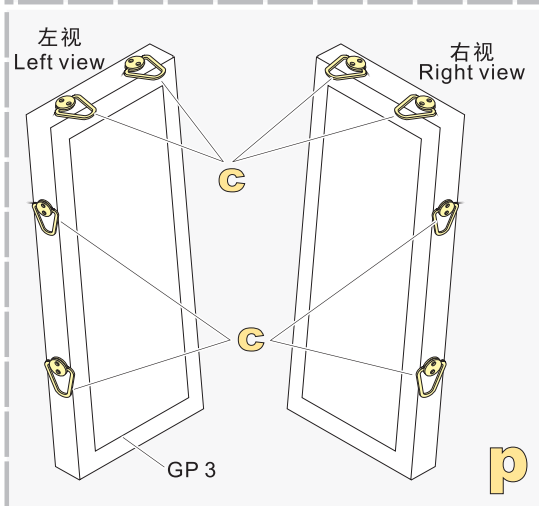
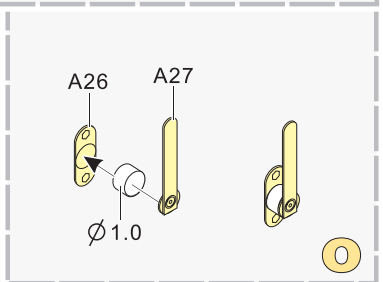
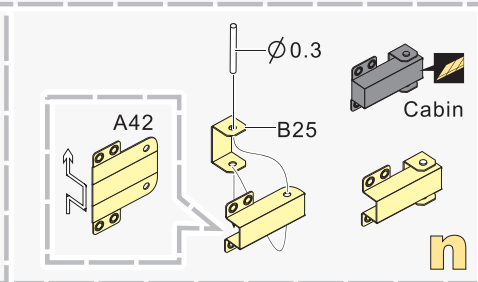
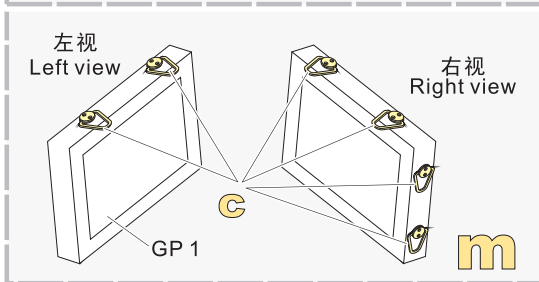
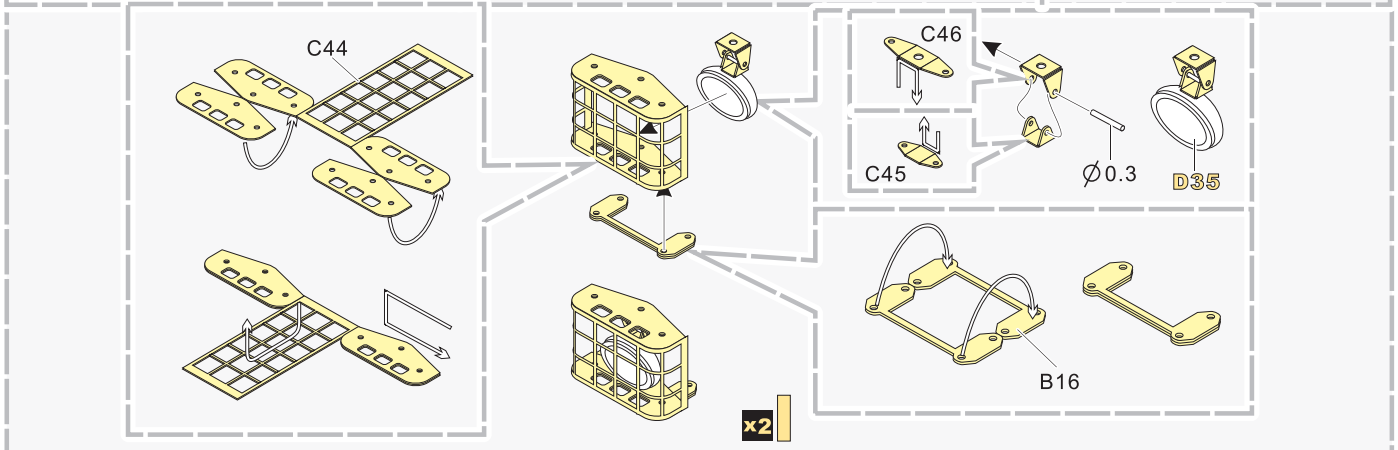
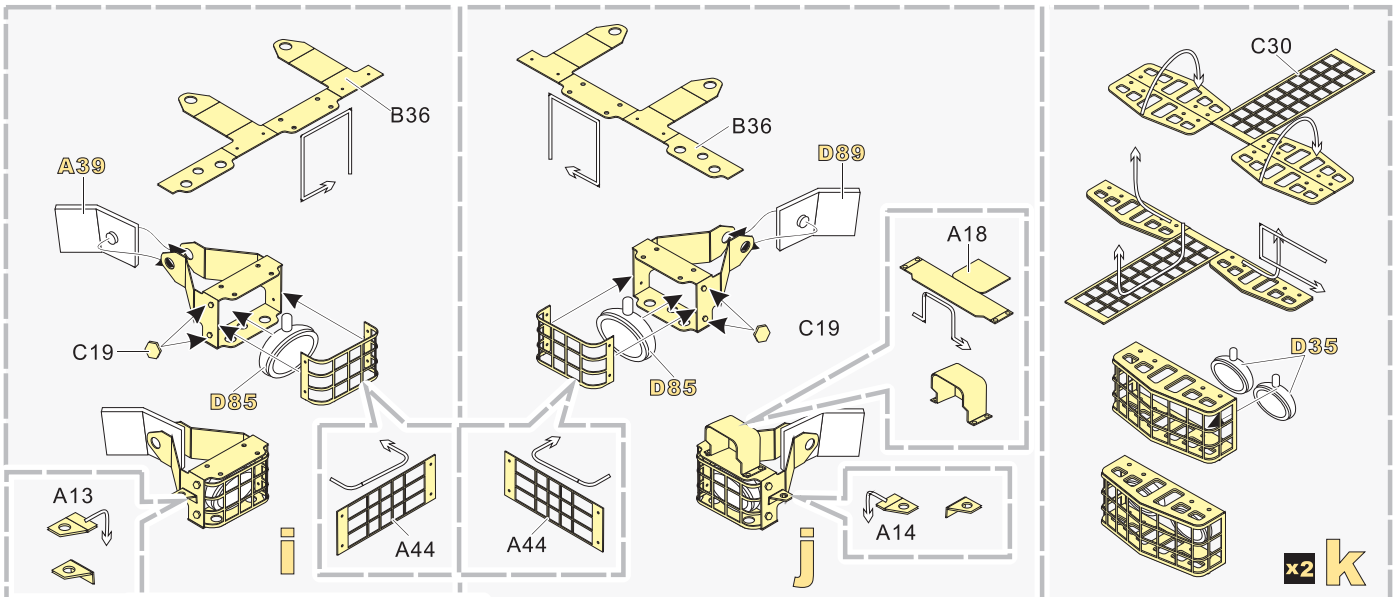
**C14**

**e**

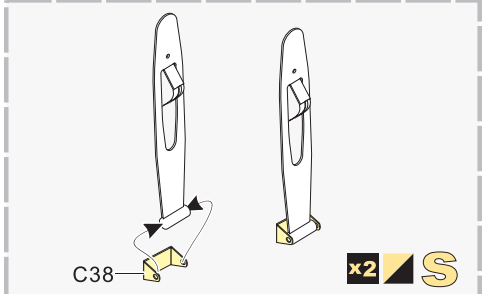
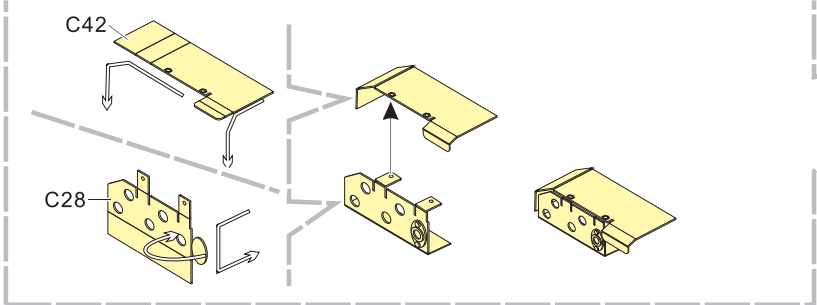
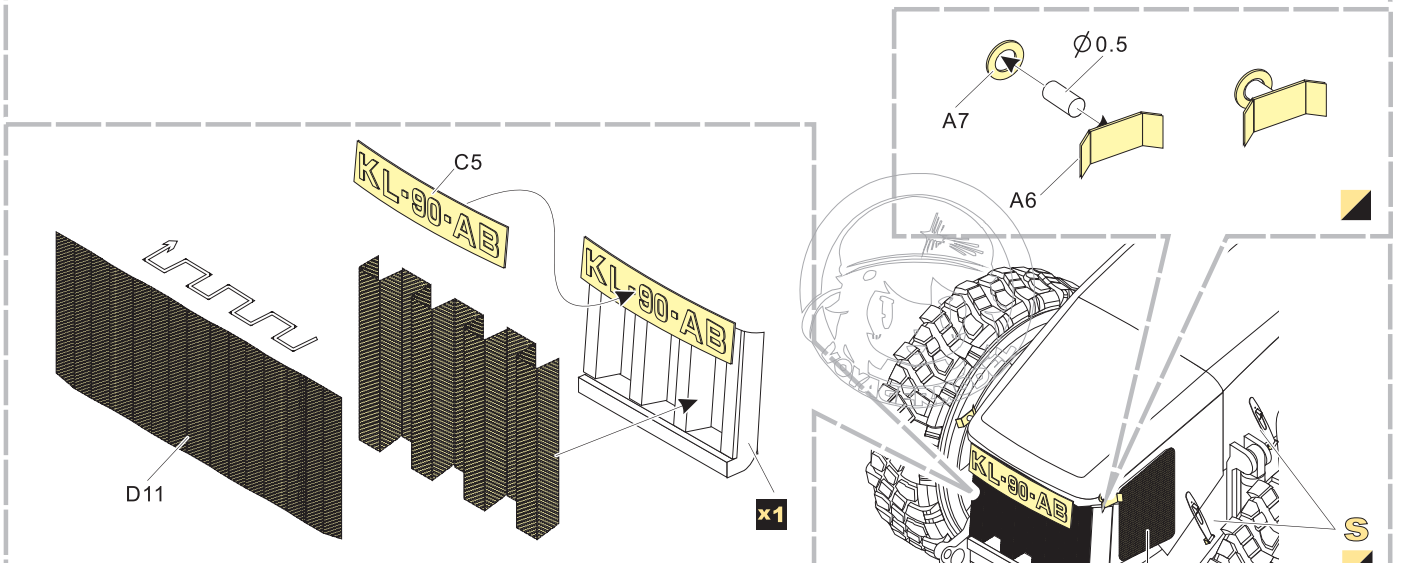
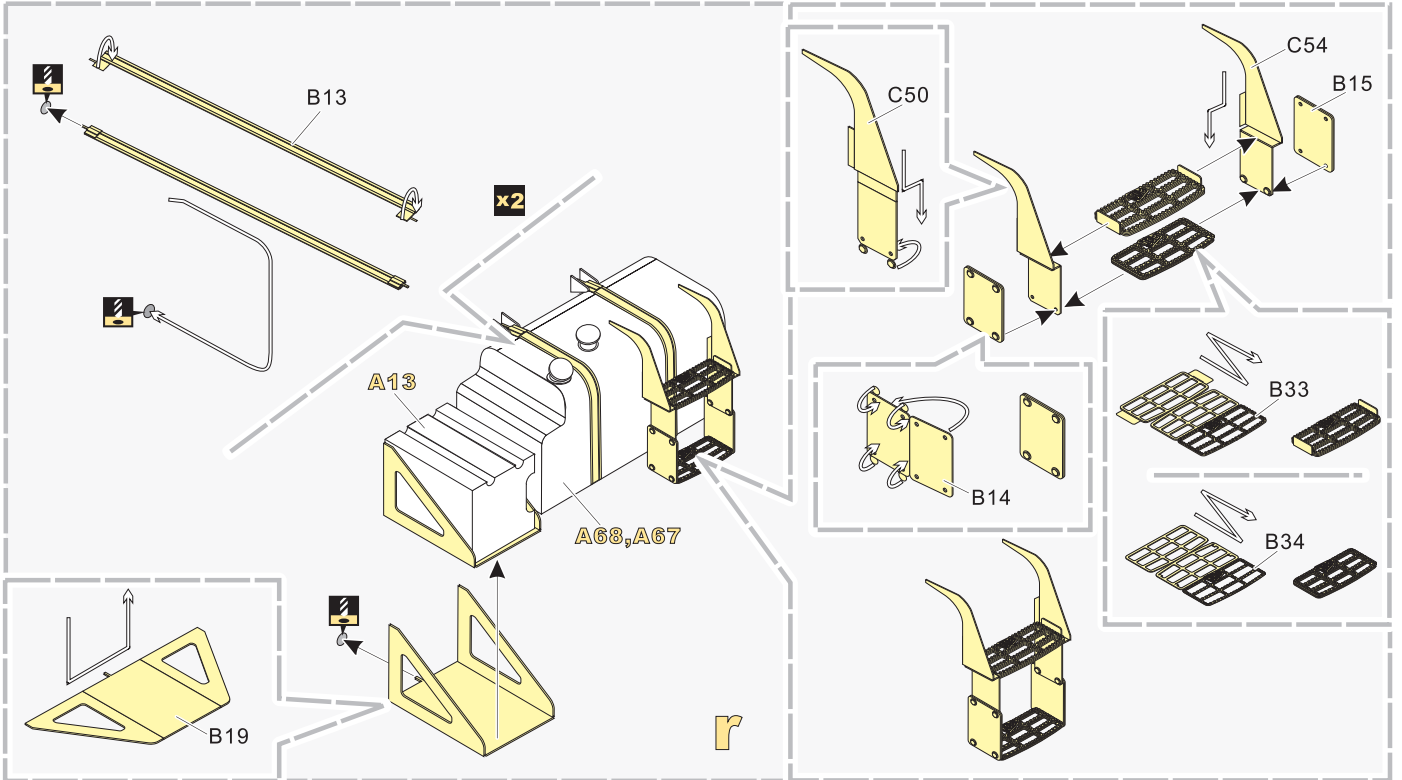
1/35 MILITARY MINIATURE VEHICLE UPGRADE SERIES PE351022



1/35 MILITARY MINIATURE VEHICLE UPGRADE SERIES PE351022

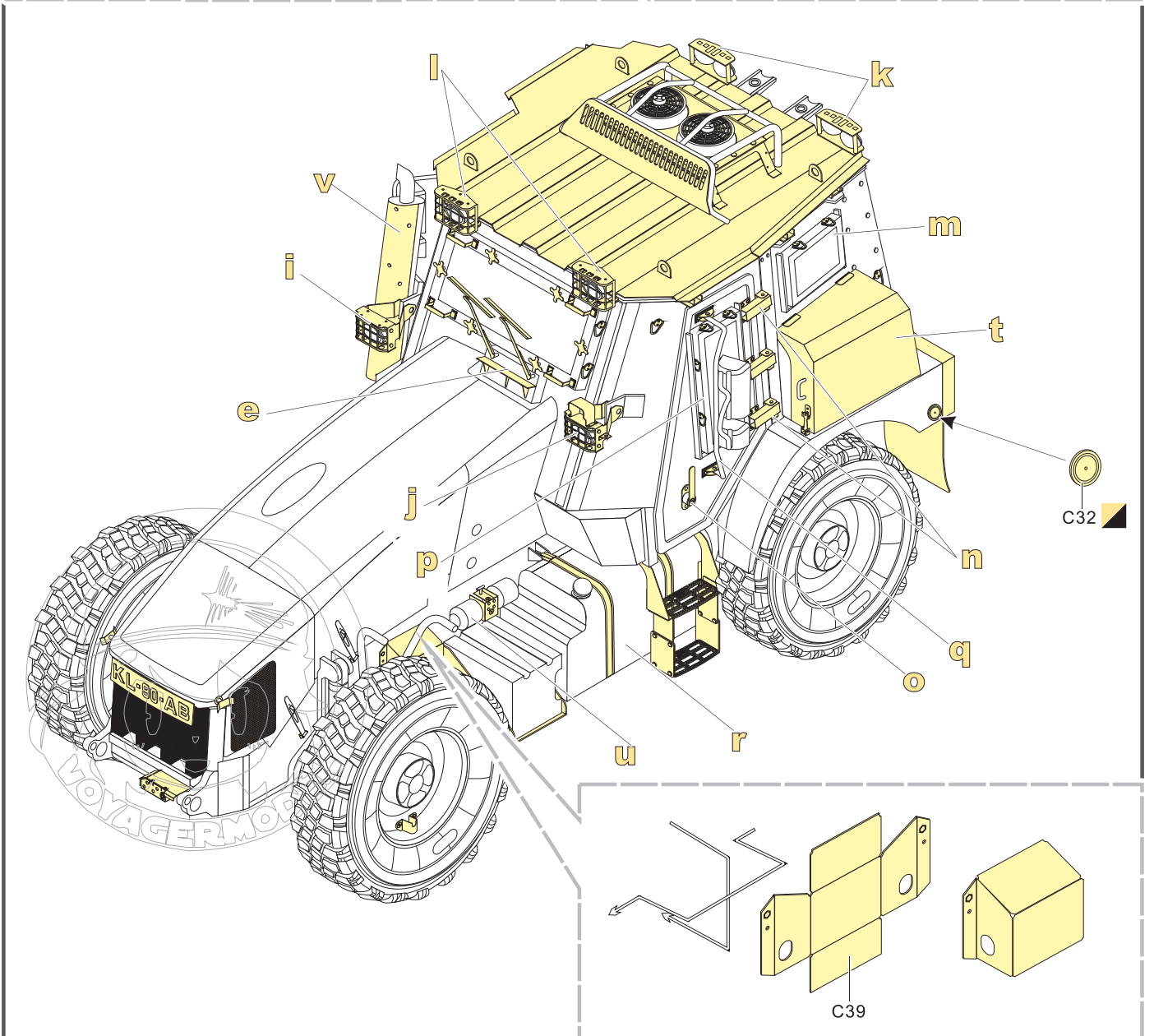
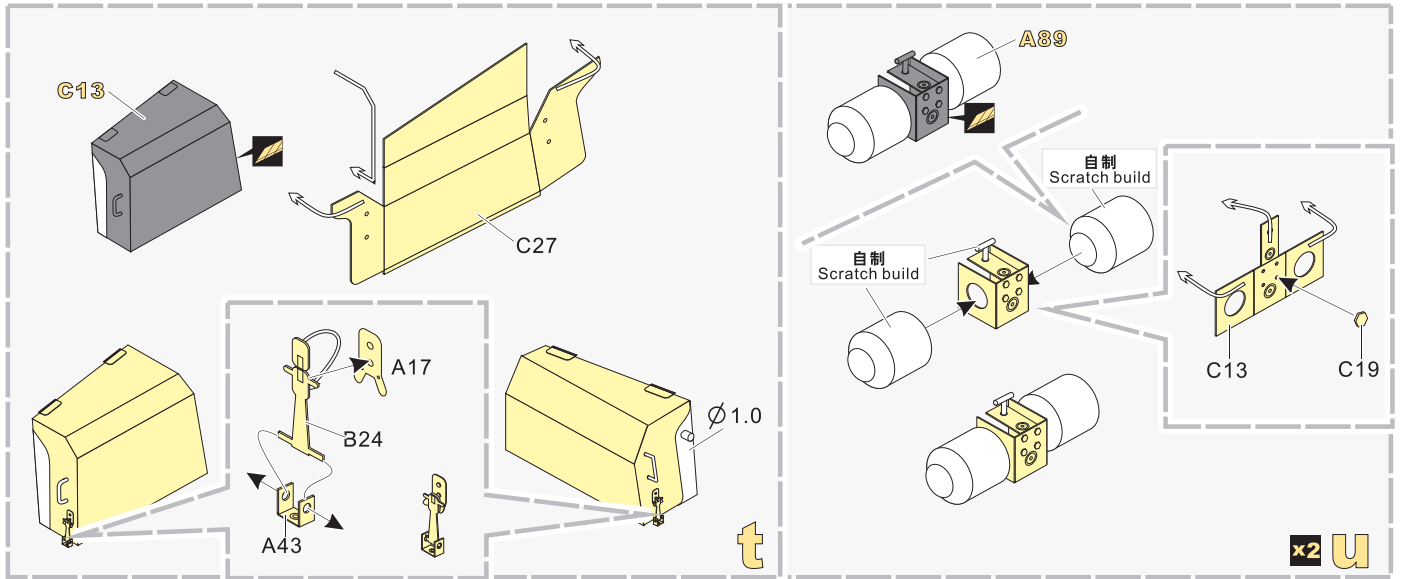


1/35 MILITARY MINIATURE VEHICLE UPGRADE SERIES PE351022



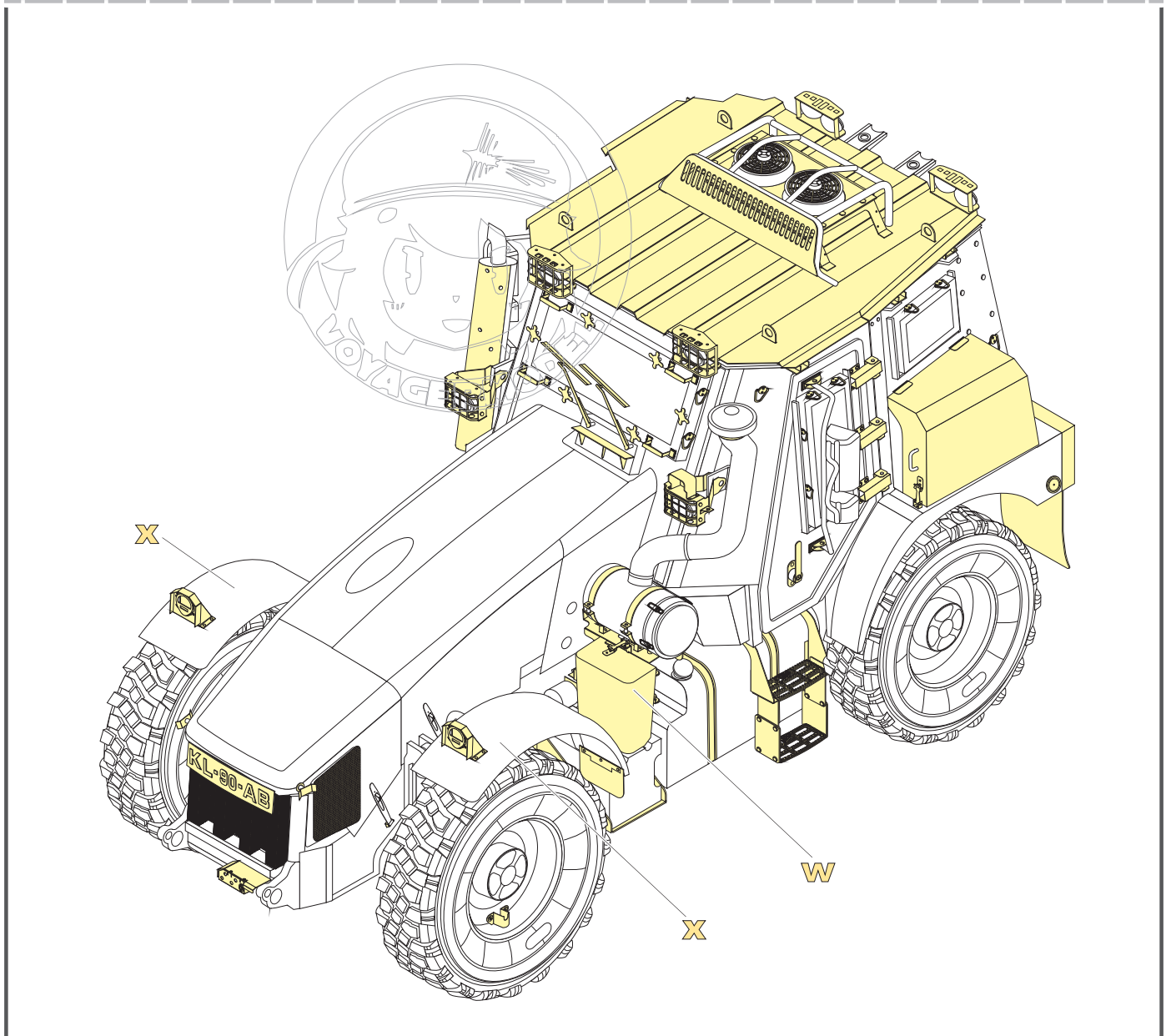
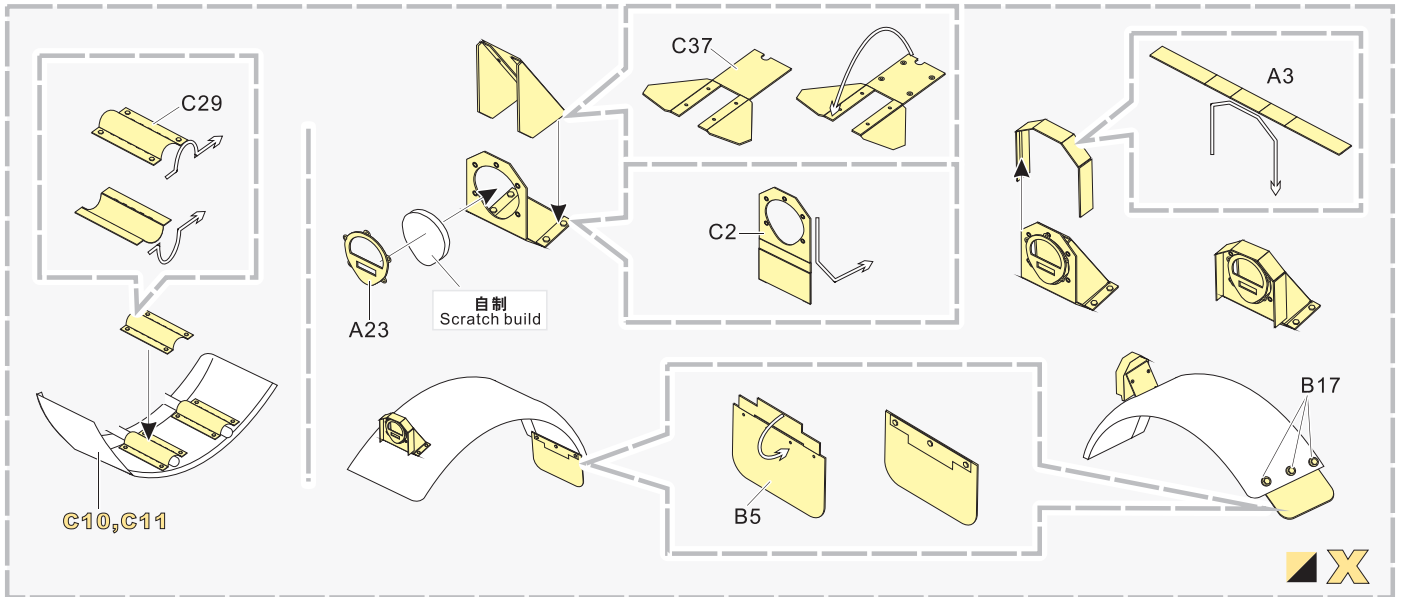


1/35 MILITARY MINIATURE VEHICLE UPGRADE SERIES PE351022

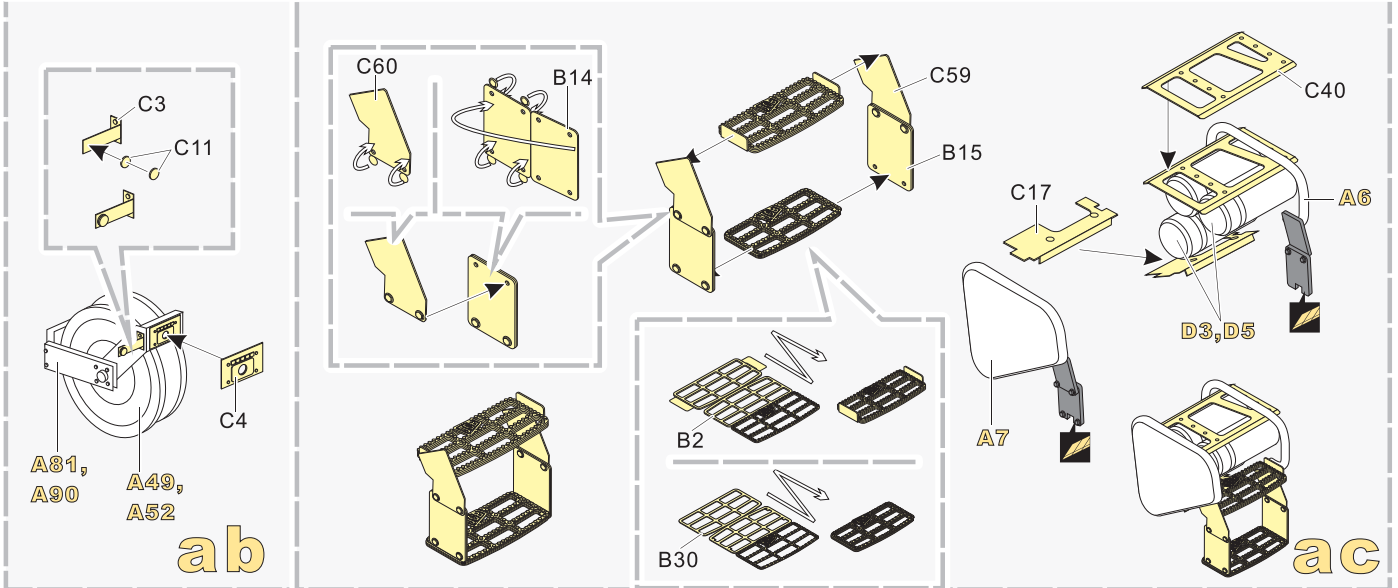
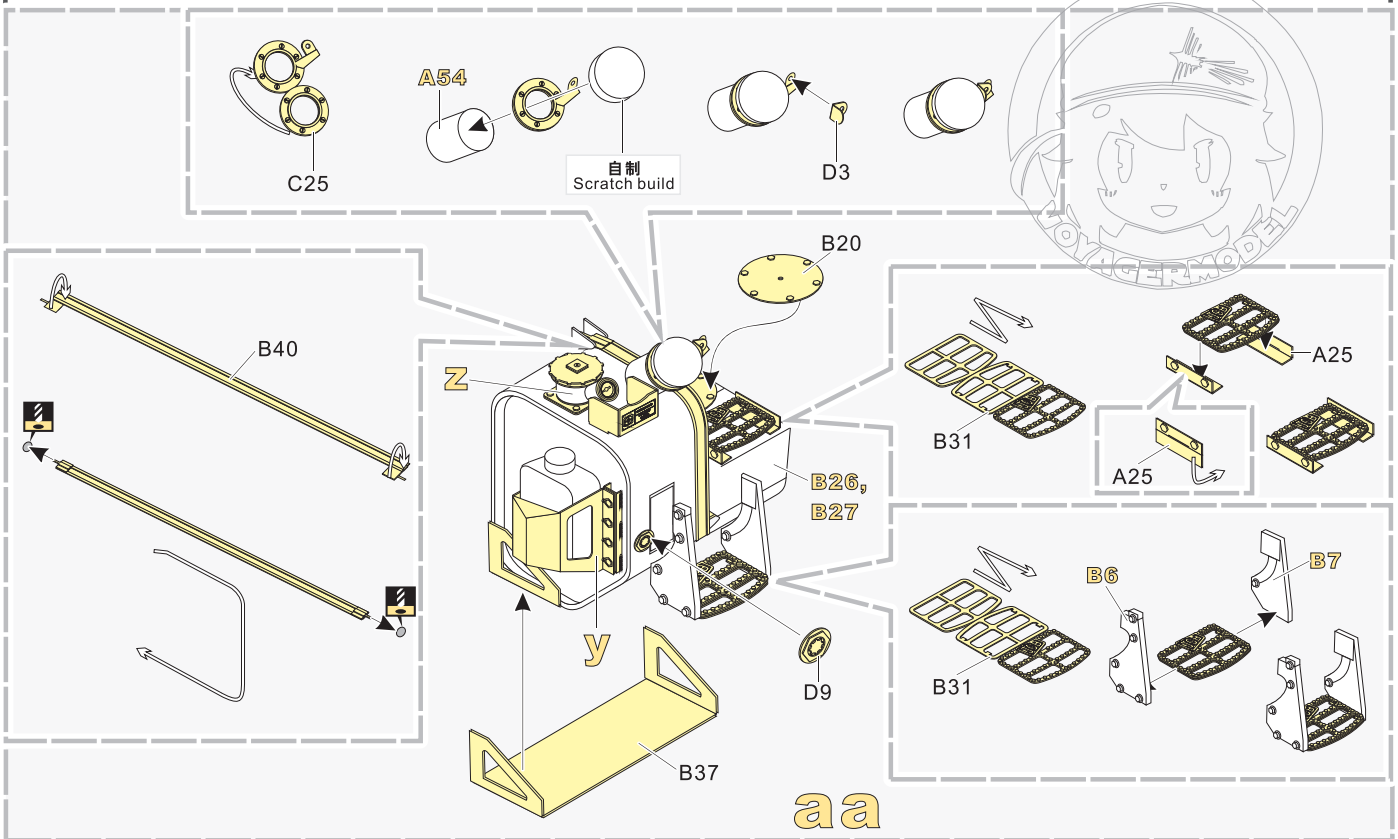
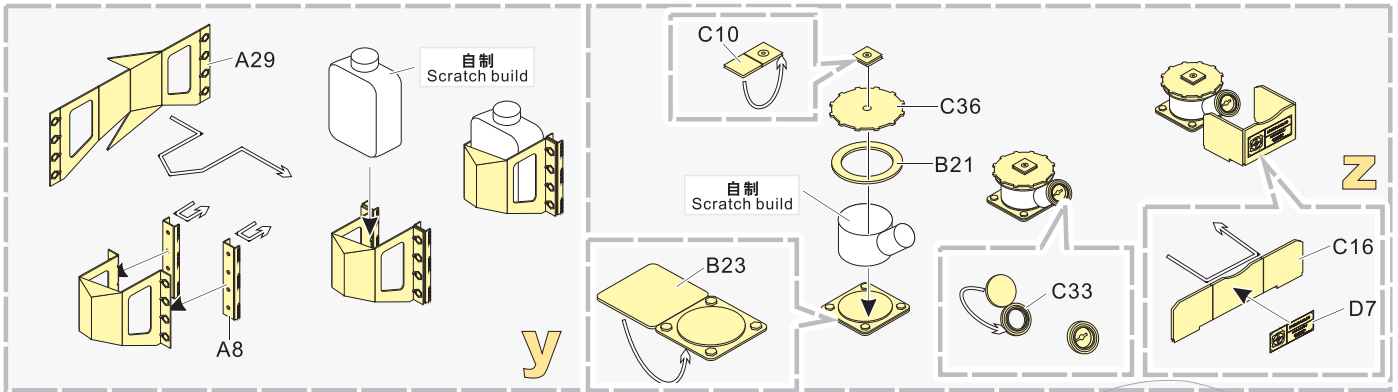




1/35 MILITARY MINIATURE VEHICLE UPGRADE SERIES PE351022

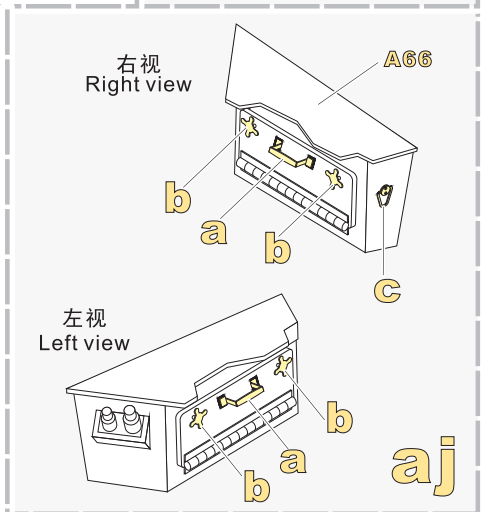
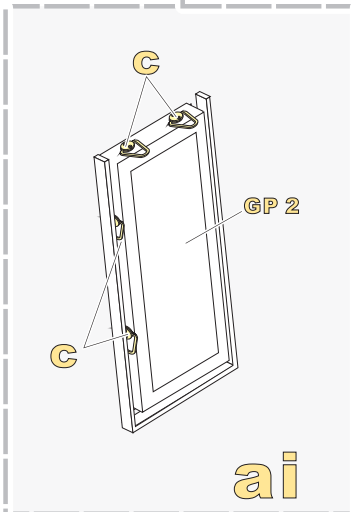
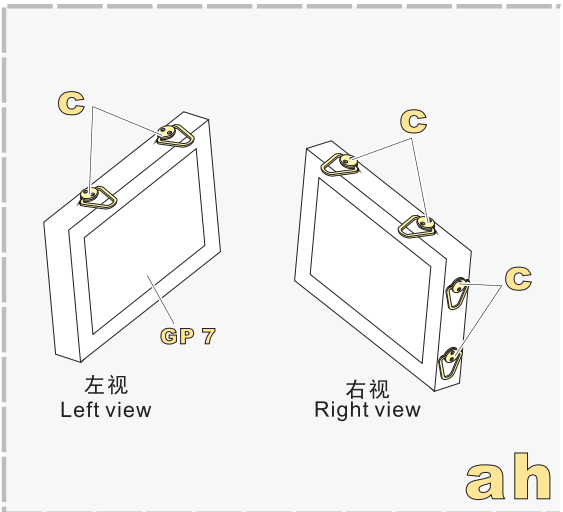
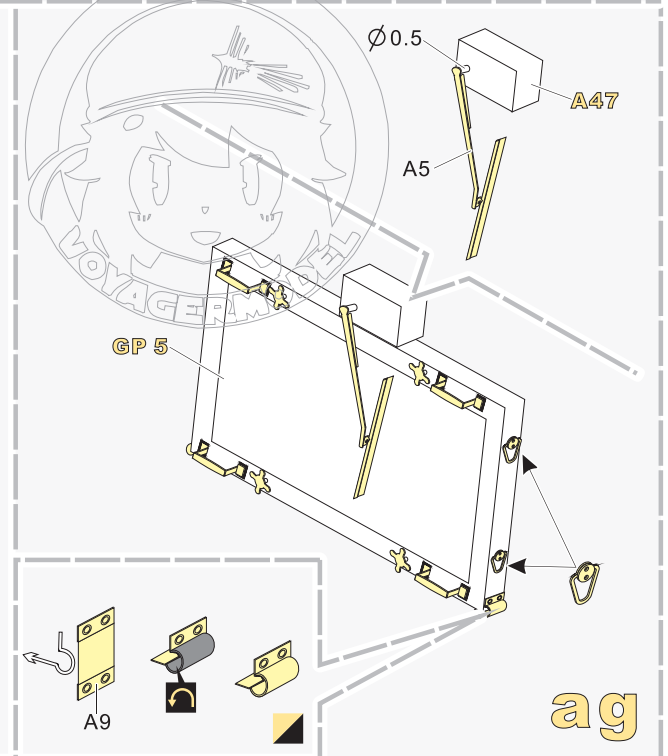
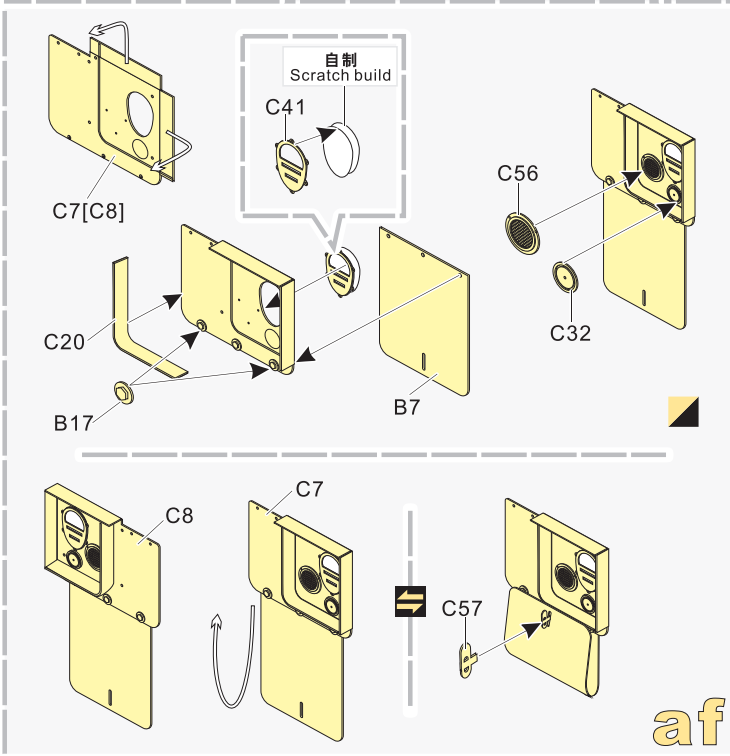
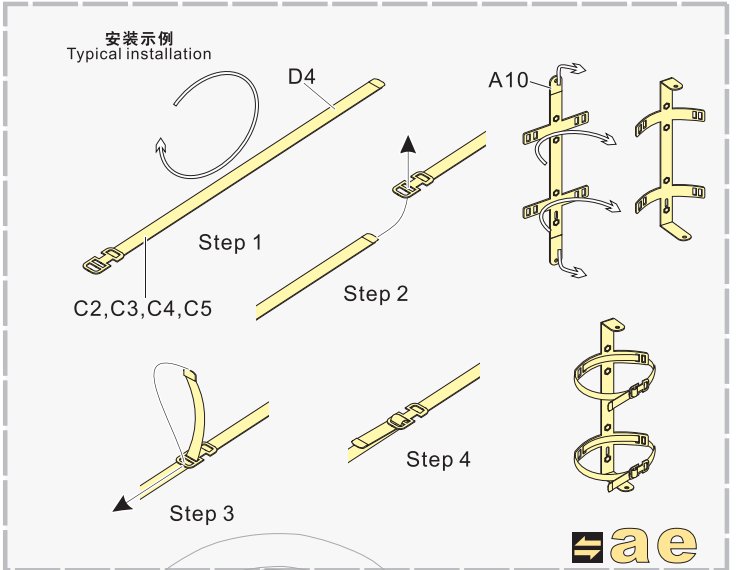
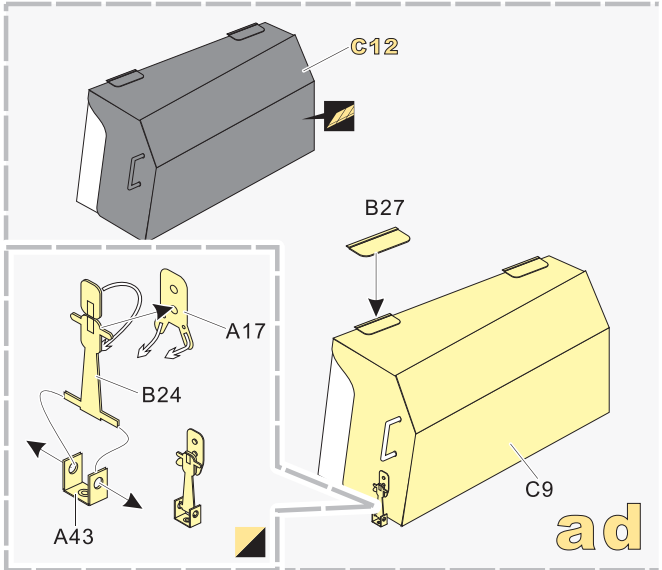


1/35 MILITARY MINIATURE VEHICLE UPGRADE SERIES PE351022

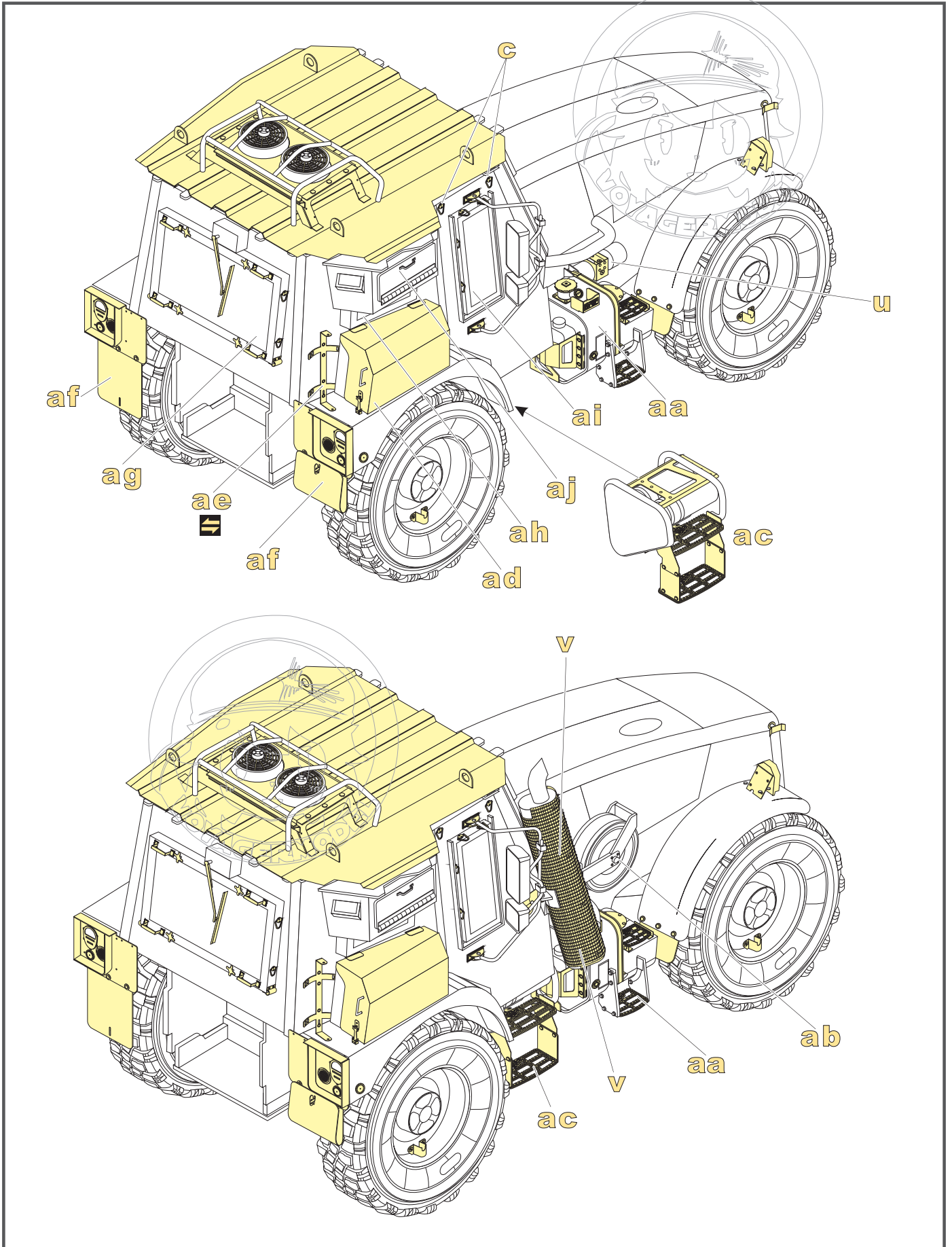




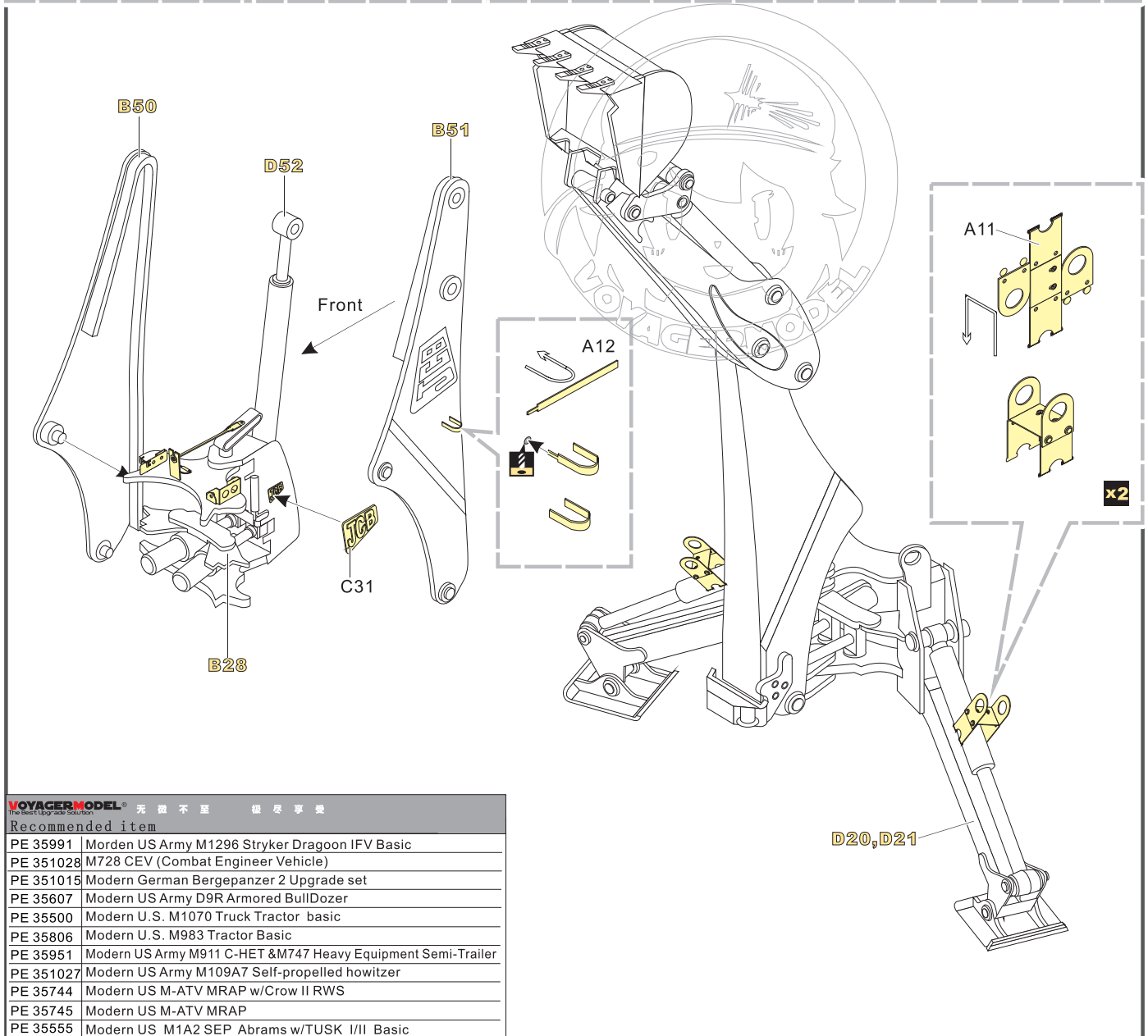
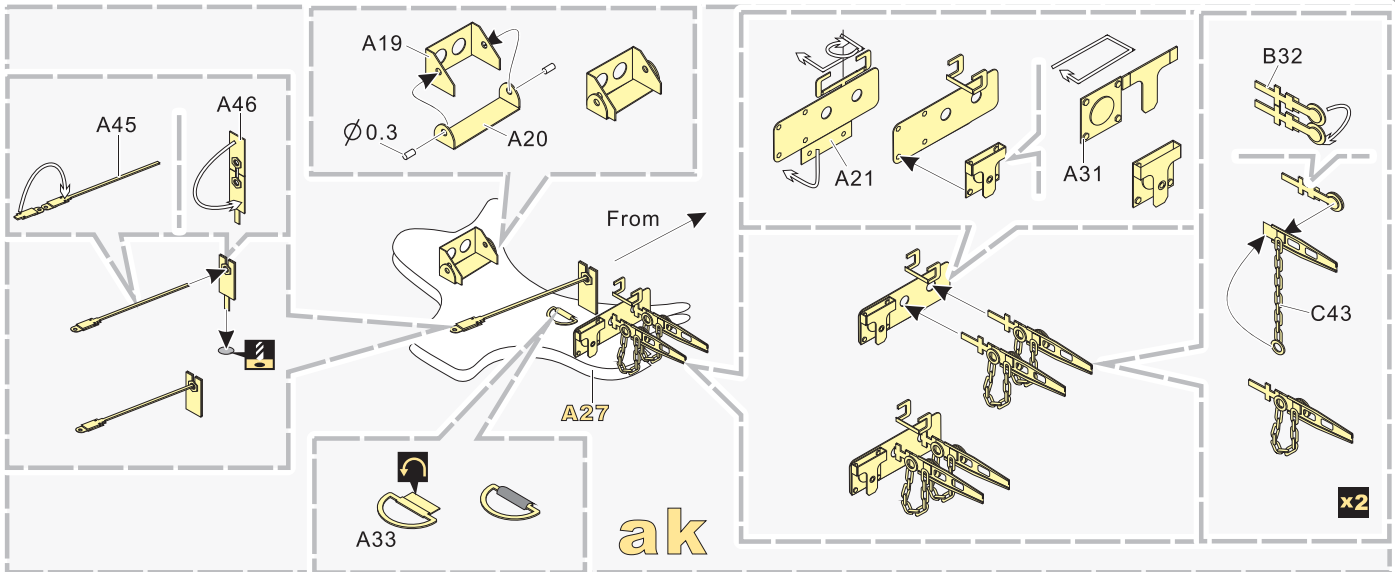
1/35 MILITARY MINIATURE VEHICLE UPGRADE SERIES PE351022



1/35 MILITARY MINIATURE VEHICLE UPGRADE SERIES PE351022



1/35 MILITARY MINIATURE VEHICLE UPGRADE SERIES PE351022

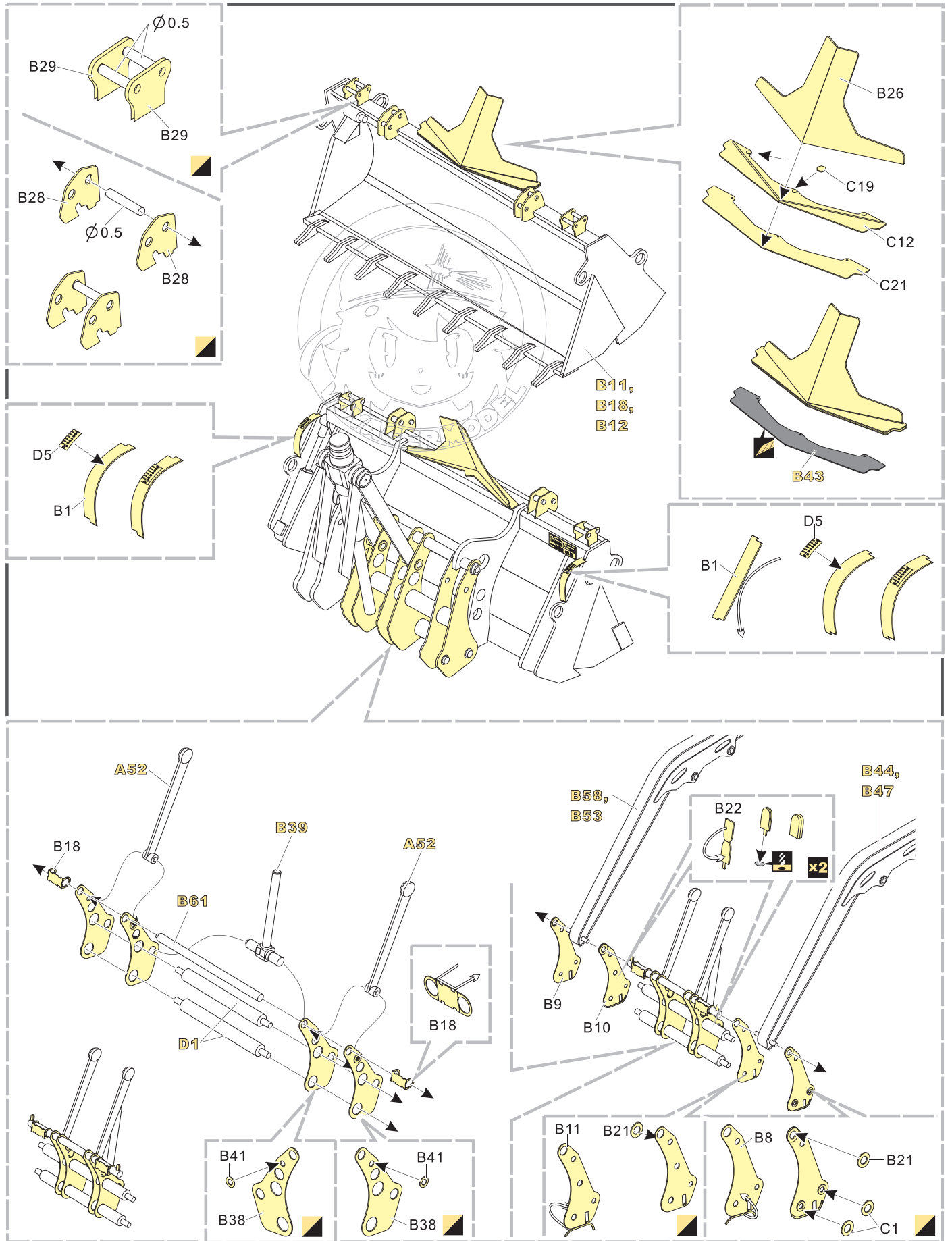


VOYAGERMODEL® 无微不至 极致享受  
The Best Upgrade Solution

Recommended item

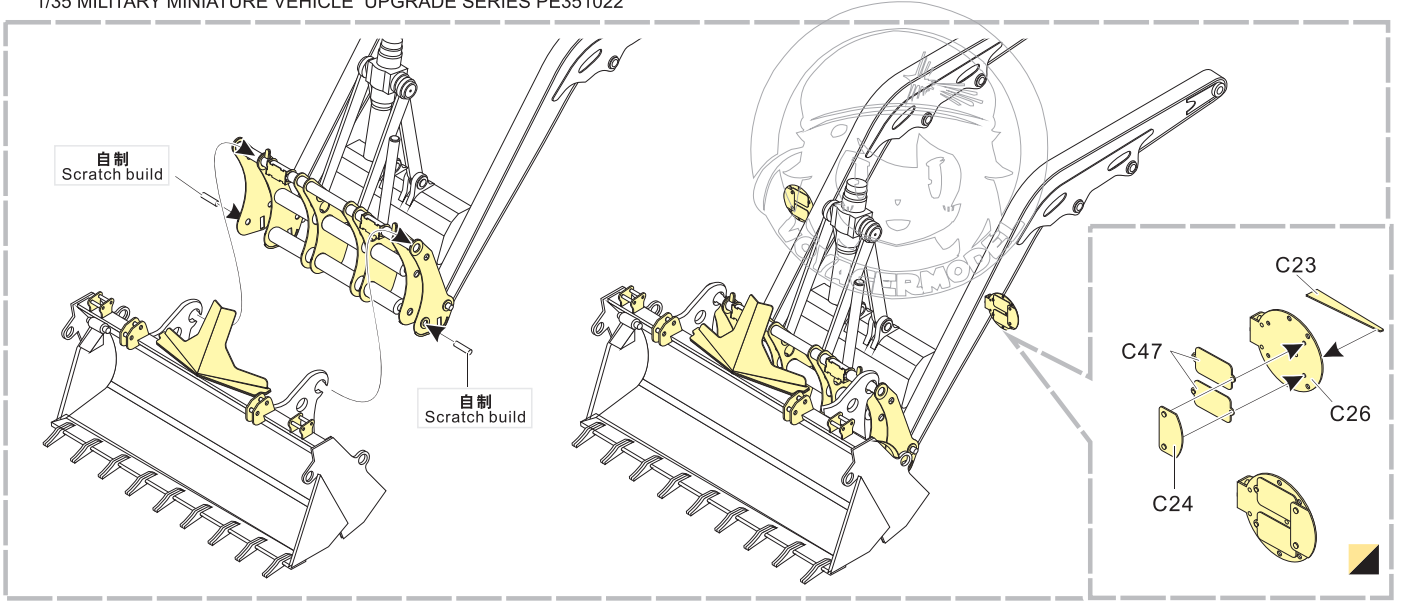
PE 35991	Modern US Army M1296 Stryker Dragoon IFV Basic
PE 351028	M728 CEV (Combat Engineer Vehicle)
PE 351015	Modern German Bergepanzer 2 Upgrade set
PE 35607	Modern US Army D9R Armored Bulldozer
PE 35500	Modern U.S. M1070 Truck Tractor basic
PE 35806	Modern U.S. M983 Tractor Basic
PE 35951	Modern US Army M911 C-HET & M747 Heavy Equipment Semi-Trailer
PE 351027	Modern US Army M109A7 Self-propelled howitzer
PE 35744	Modern US M-ATV MRAP w/Crow II RWS
PE 35745	Modern US M-ATV MRAP
PE 35555	Modern US M1A2 SEP Abrams w/TUSK I/II Basic

1/35 MILITARY MINIATURE VEHICLE UPGRADE SERIES PE351022





1/35 MILITARY MINIATURE VEHICLE UPGRADE SERIES PE351022



[Http://www.voyagermodel.com/productdetails.asp?itemid=PE351022](http://www.voyagermodel.com/productdetails.asp?itemid=PE351022)



**VOYAGER  
MODEL**



更多PE351022样品照片参考请扫一扫  
MORE PICTUER OF PE 351022  
REFERENCE SCAN HERE

