



László Szűcs

---eduArt

Dawn Patrol

SPAD XIII & Fokker D.VII 1/48 scale plastic kit

INSTRUCTION SHEET

eduard

#11102X

#11102X - NAVI



Carefully read instruction sheet before assembling. When you use glue or paint, do not use near open flame and use in well ventilated room. Keep out of reach of small children. Children must not be allowed to suck any part, or pull vinyl bag over the head.



Před započatím stavby si pečlivě prostudujte stavební návod. Při používání barev a lepidel pracujte v dobře větrané místnosti. Lepidla ani barvy nepoužívejte v blízkosti otevřeného ohně. Model není určen malým dětem, mohlo by dojít k požití drobných dílů.



OPTIONAL
VOLBA



BEND
OHNOU



OPEN HOLE
VYVRTAT OTVOR



SYMMETRICAL ASSEMBLY
SYMETRICKÁ MONTÁŽ



REMOVE
ODŘÍZNOUT



REVERSE SIDE
OTOČIT



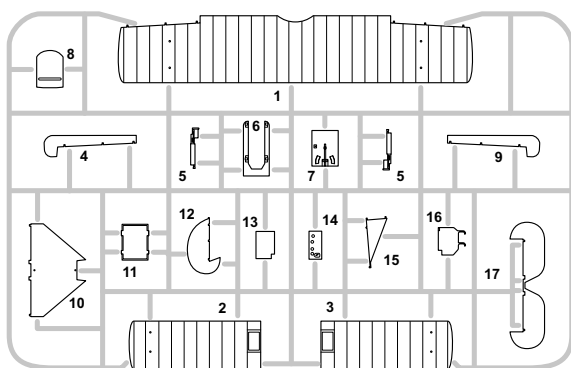
APPLY EDUARD MASK
AND PAINT
POUŽÍT EDUARD MASK
NABARVIT



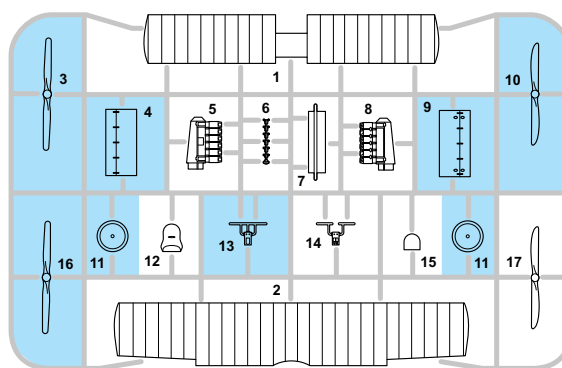
Fokker D.VII

PLASTIC PARTS

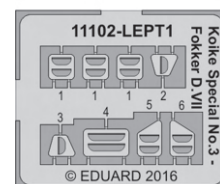
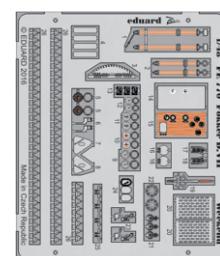
A>



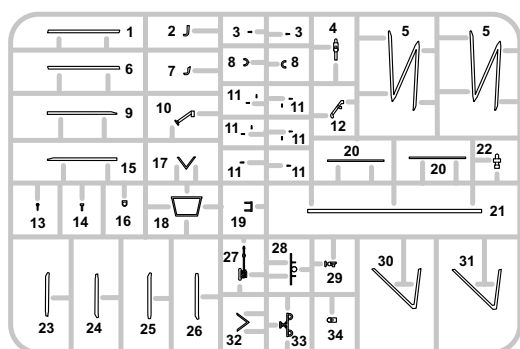
B>



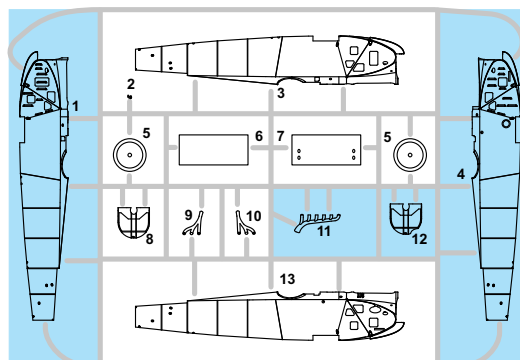
PE - PHOTO ETCHED
DETAIL PARTS



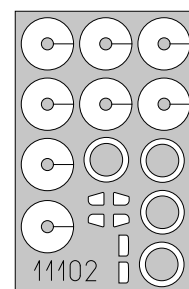
C>



E>



eduard
MASK

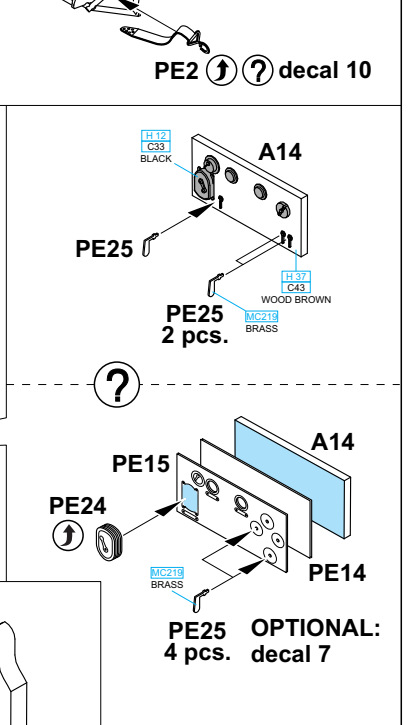
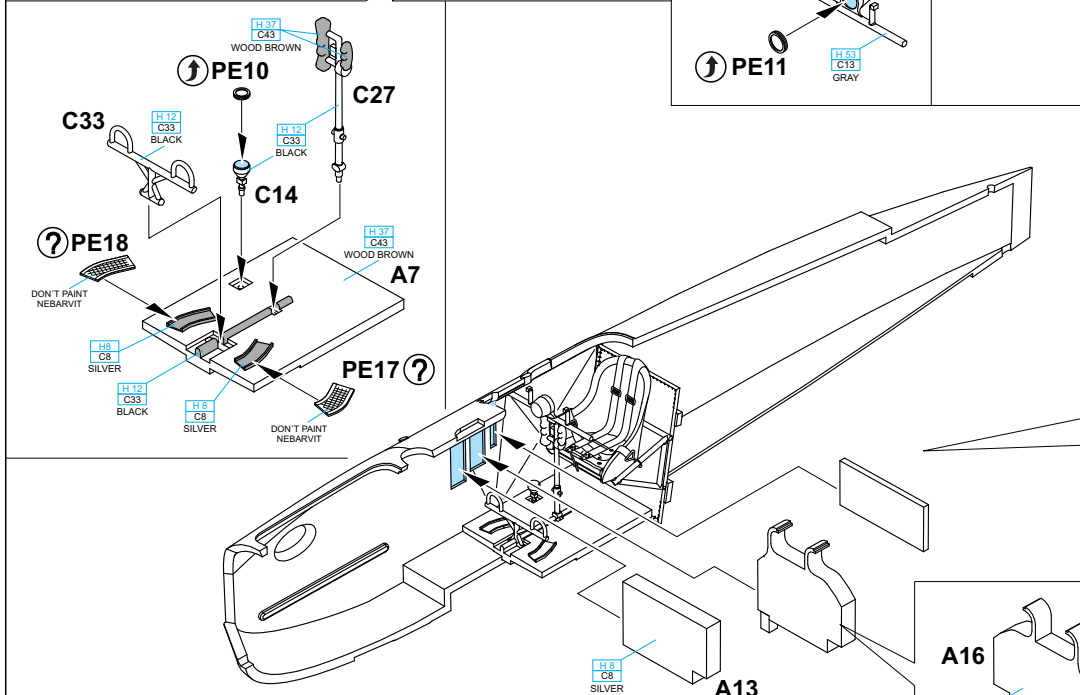
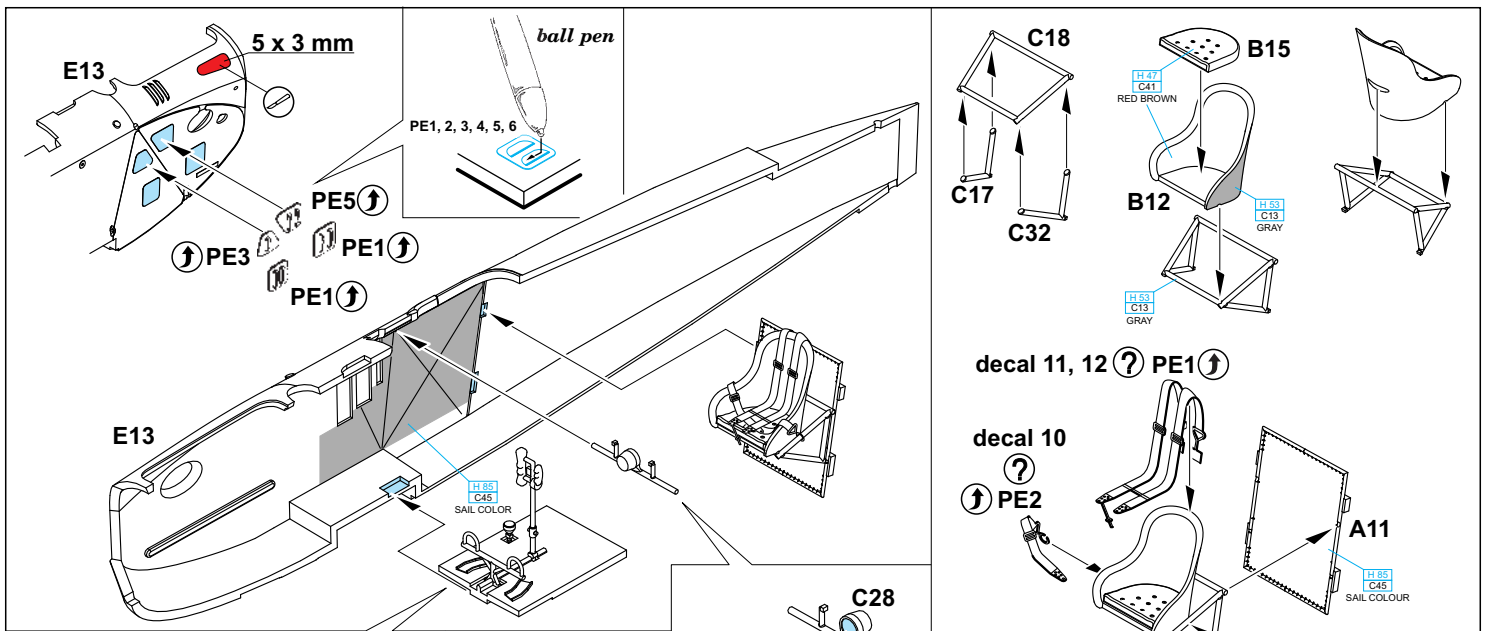


-Parts not for use. -Teile werden nicht verwendet. -Pièces à ne pas utiliser. -Tyto díly nepoužívejte při stavbě. - 使用しない部品

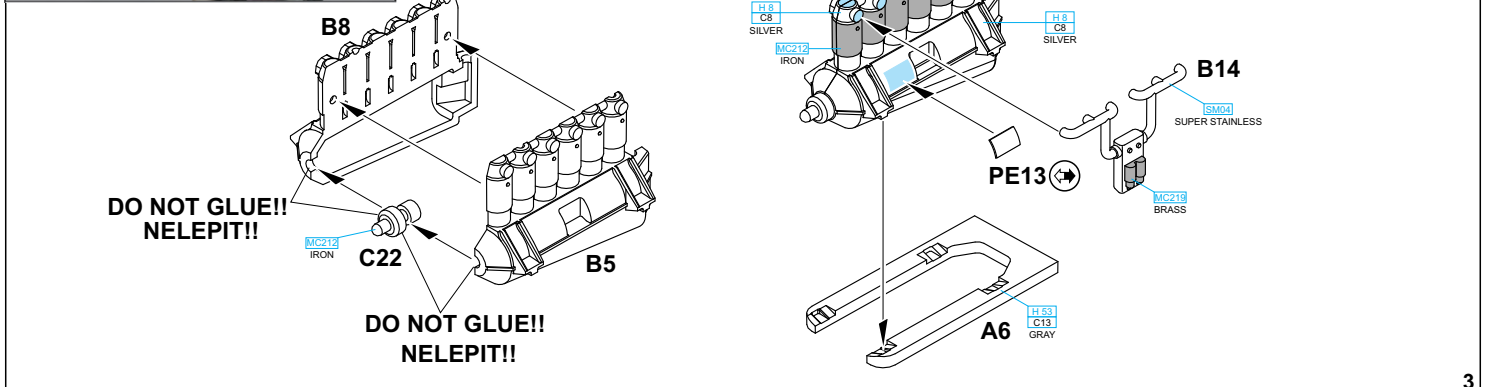
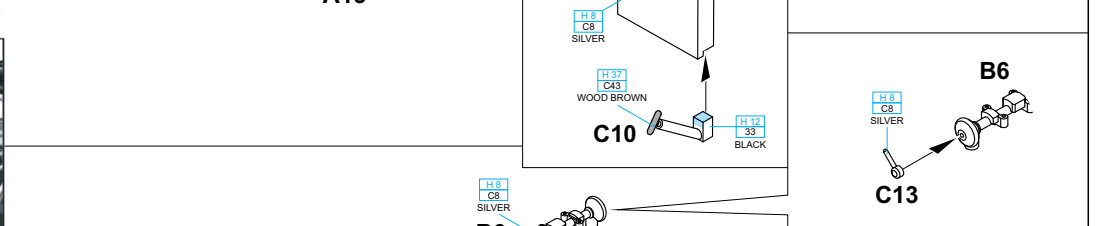
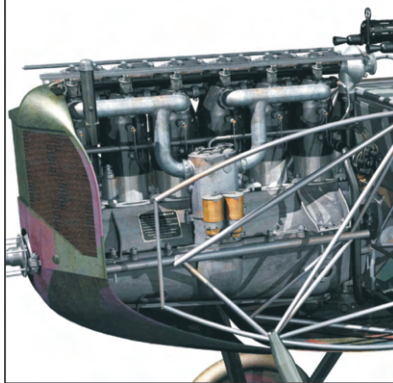


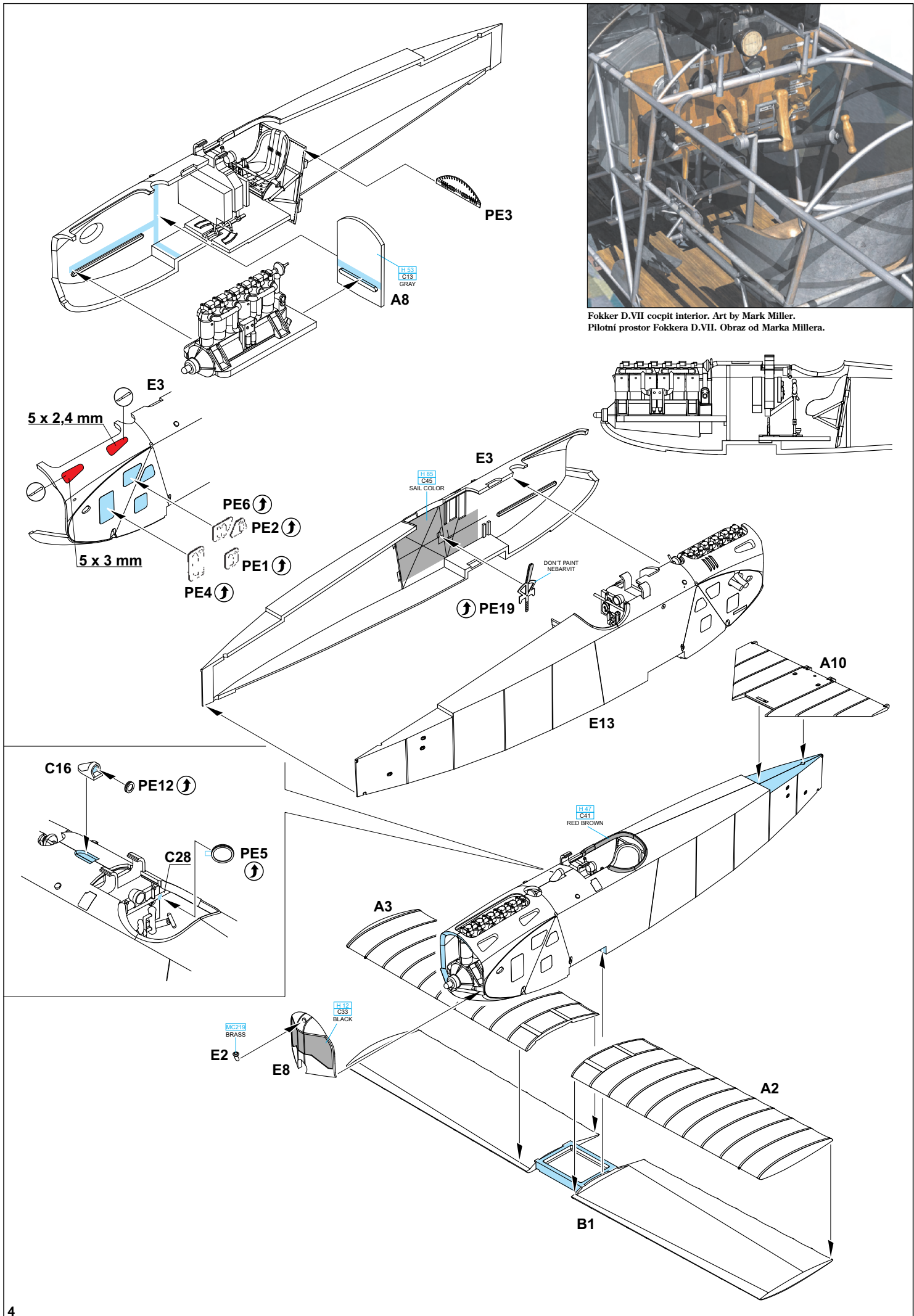
GSI Creos (GUNZE)		
AQUEOUS	Mr.COLOR	
H 3	C3	RED
H 8	C8	SILVER
H 11	C62	FLAT WHITE
H 12	C33	FLAT BLACK
H 37	C43	WOOD BROWN
H 47	C41	RED BROWN
H 53	C13	NEUTRAL GRAY
H 76	C61	BURNT IRON

AQUEOUS	Mr.COLOR	
H 77	C137	TIRE BLACK
H 85	C45	SAIL COLOR
H 423	C123	DARK GREEN
Mr.METAL COLOR		
	MC212	IRON
	MC219	BRASS
Mr.COLOR SUPER METALLIC		
	SM04	SUPET STAINLESS

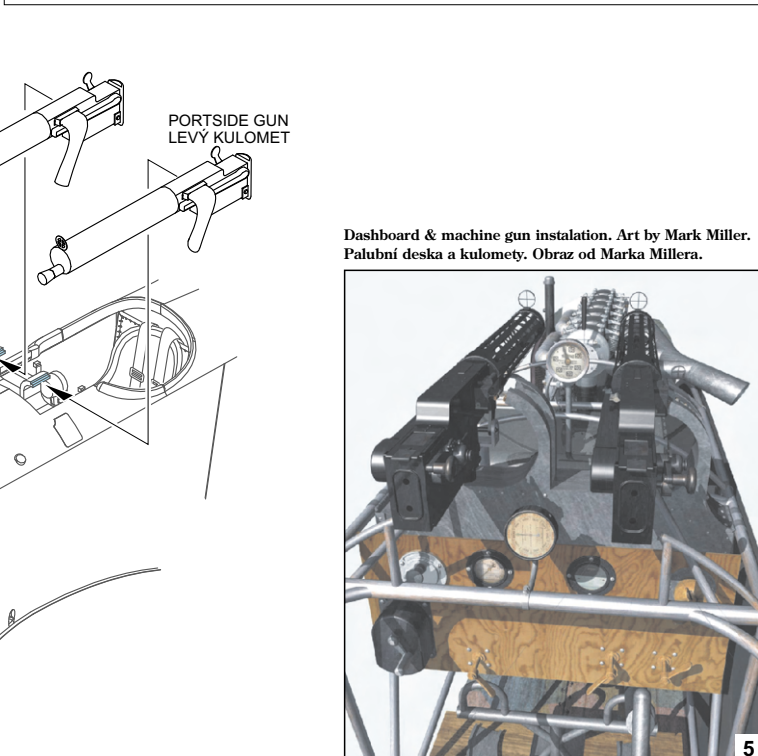
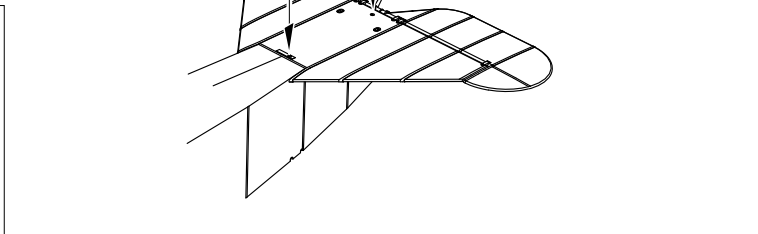
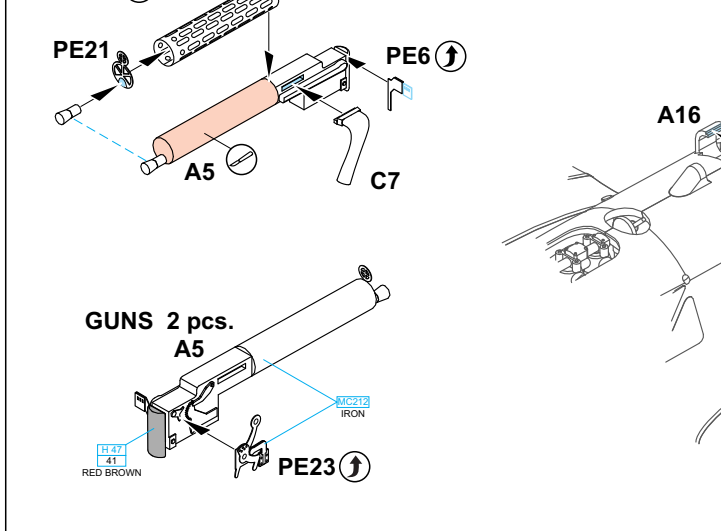
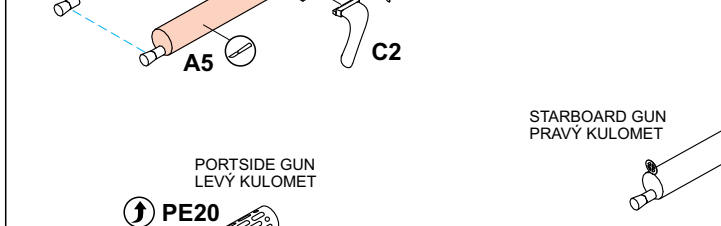
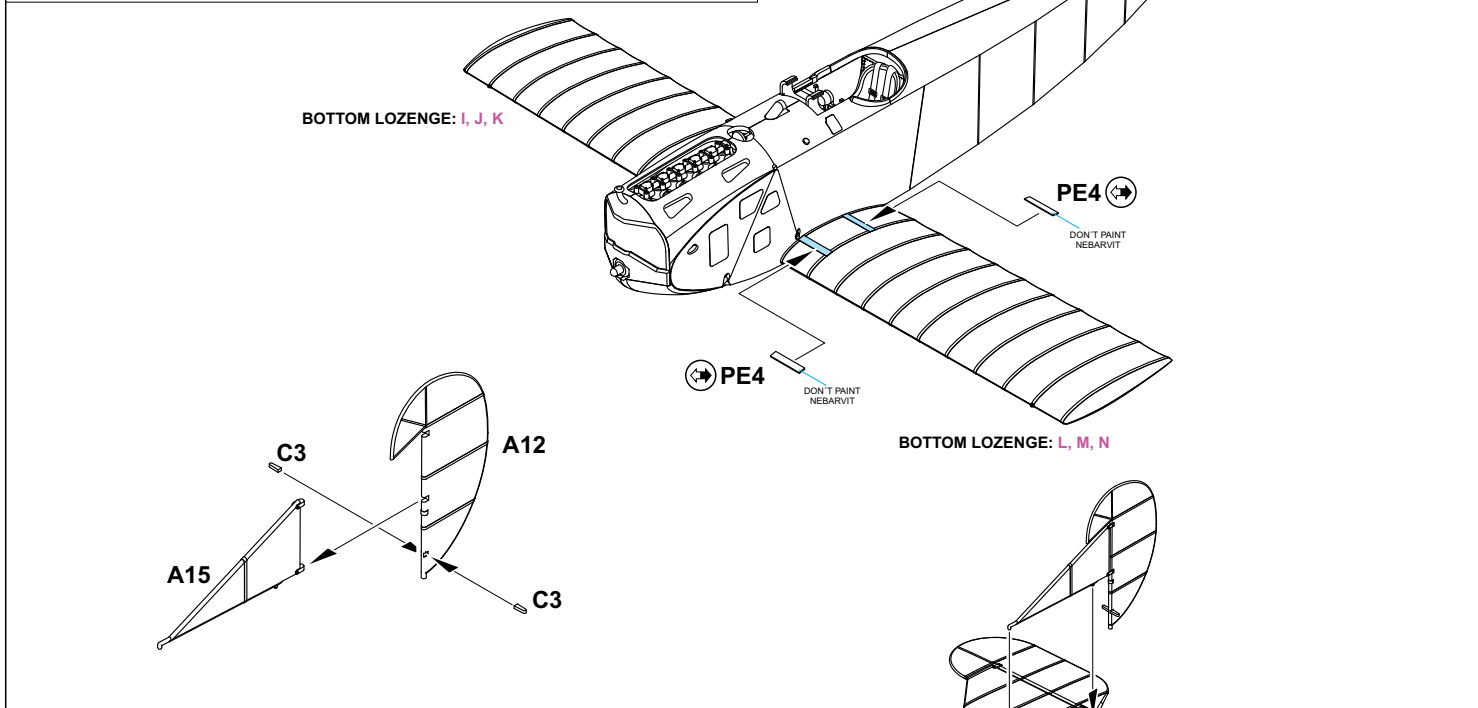
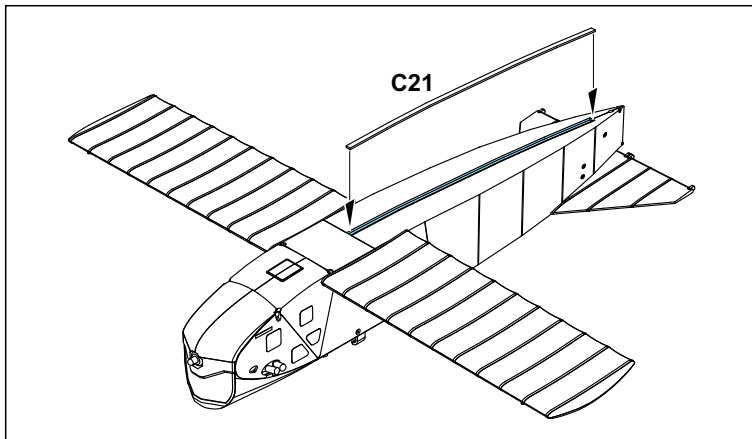


Mercedes D.IIIa engine installation. Art by Mark Miller.
Instalace motoru Mercedes D.III. Obraz od Marka Millera.

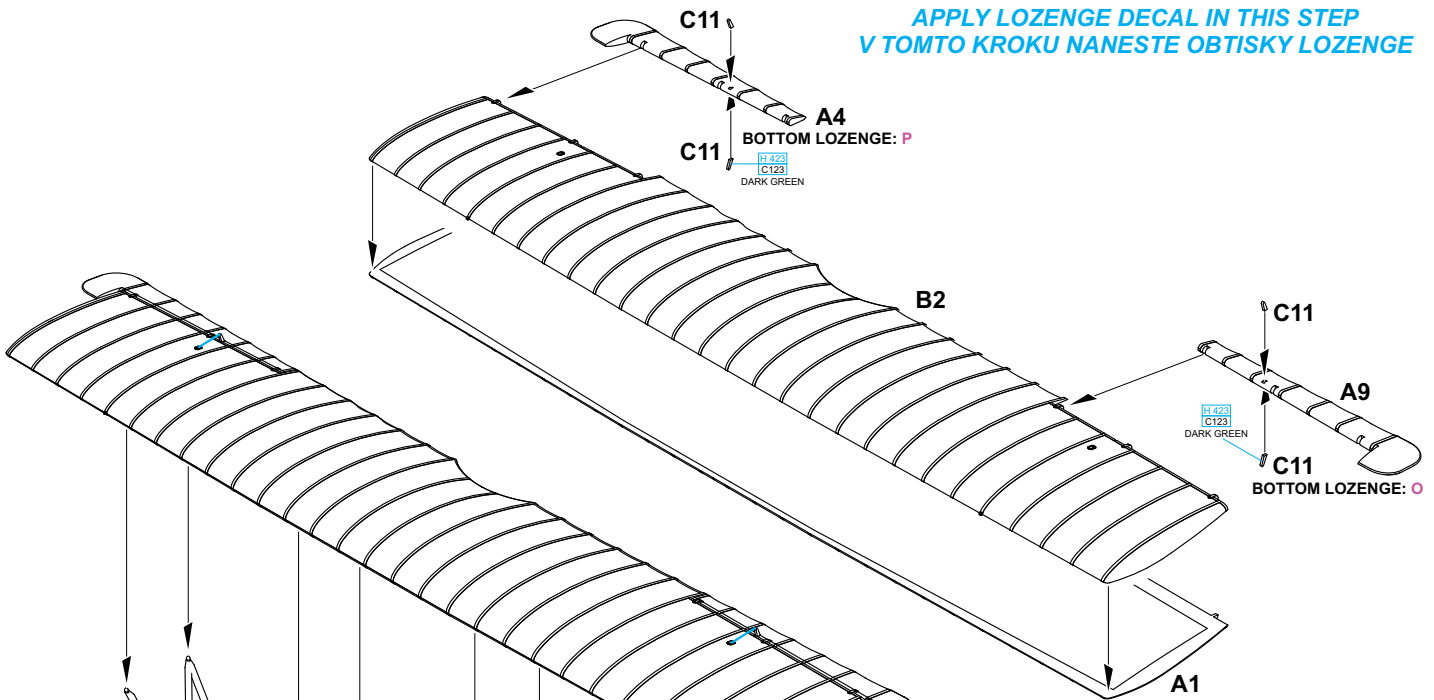




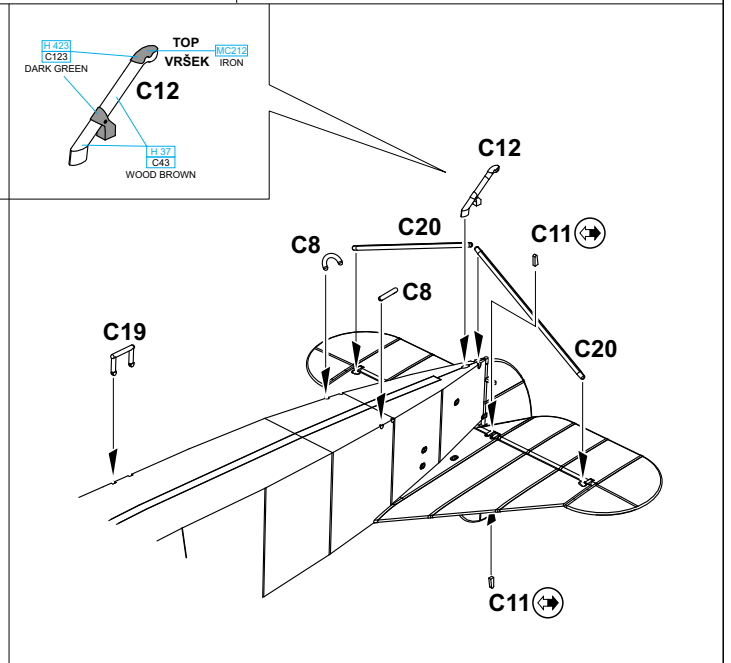
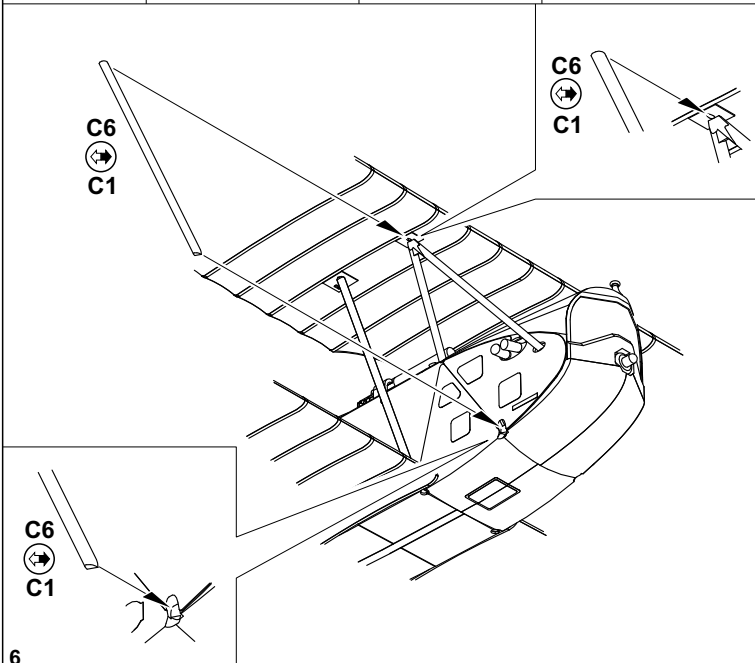
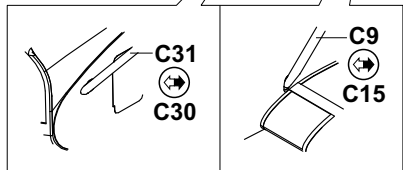
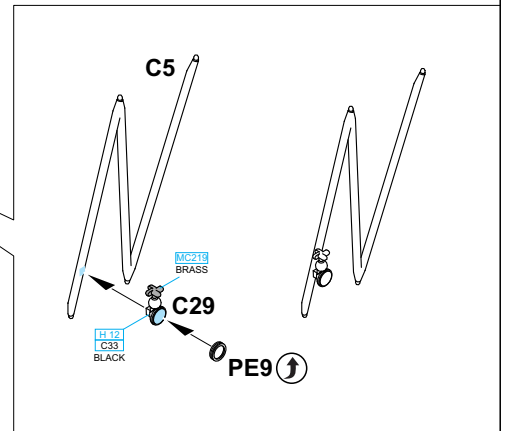
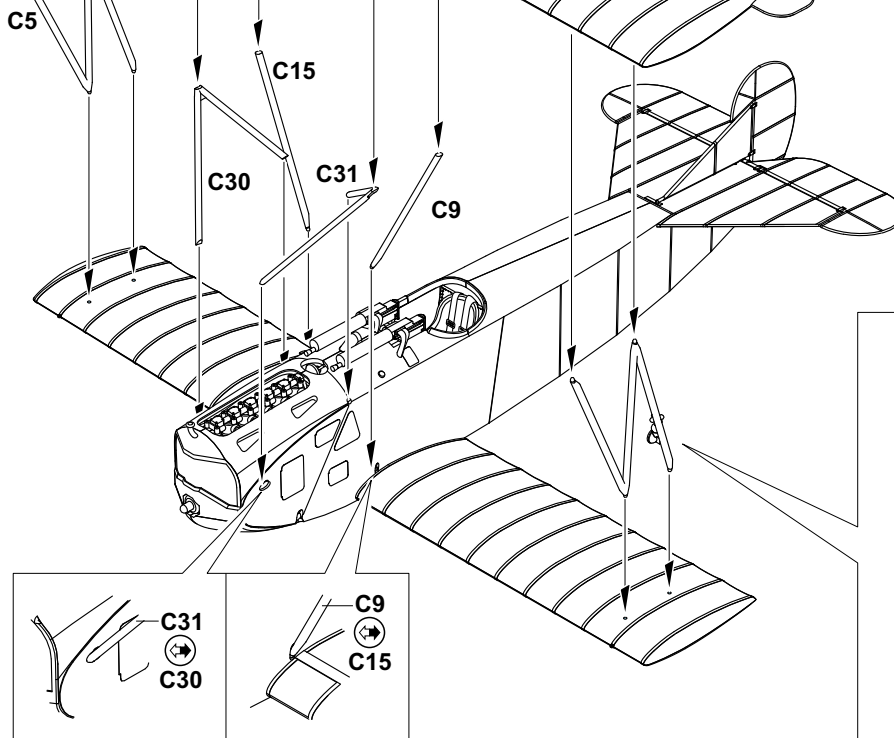
Fokker D.VII cocpit interior. Art by Mark Miller.
 Pilotni prostor Fokkera D.VII. Obraz od Marka Millera.

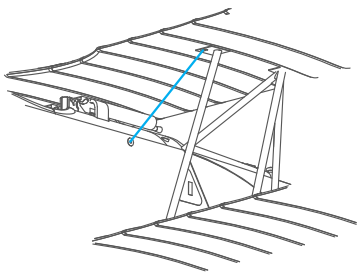
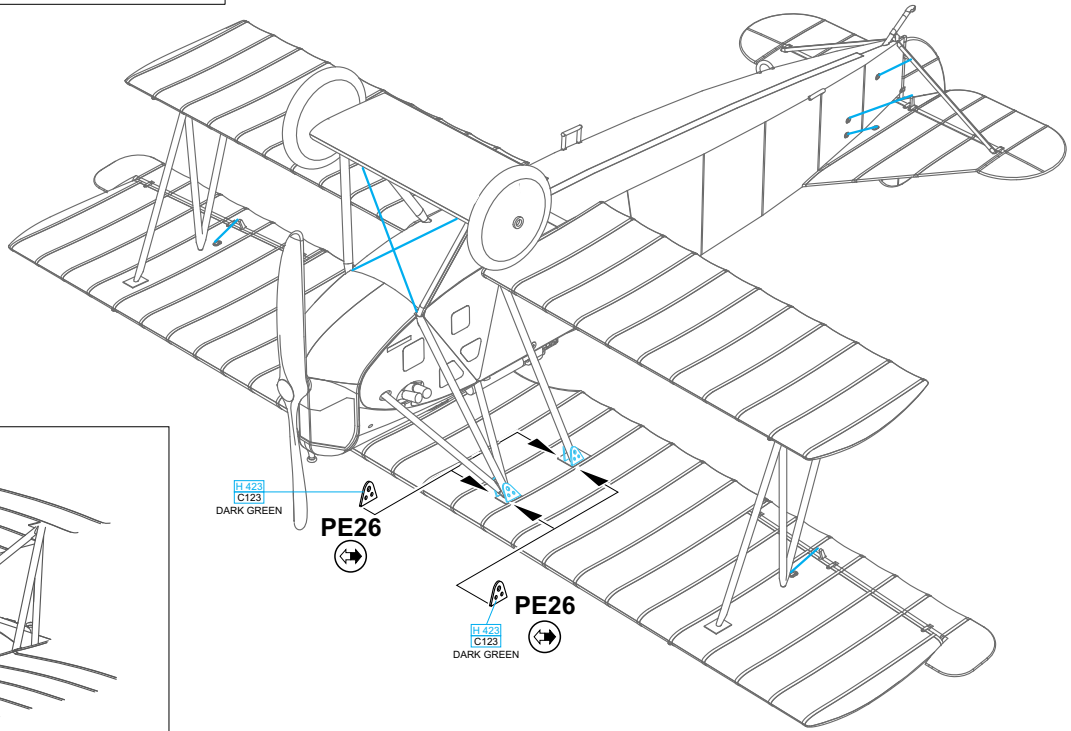
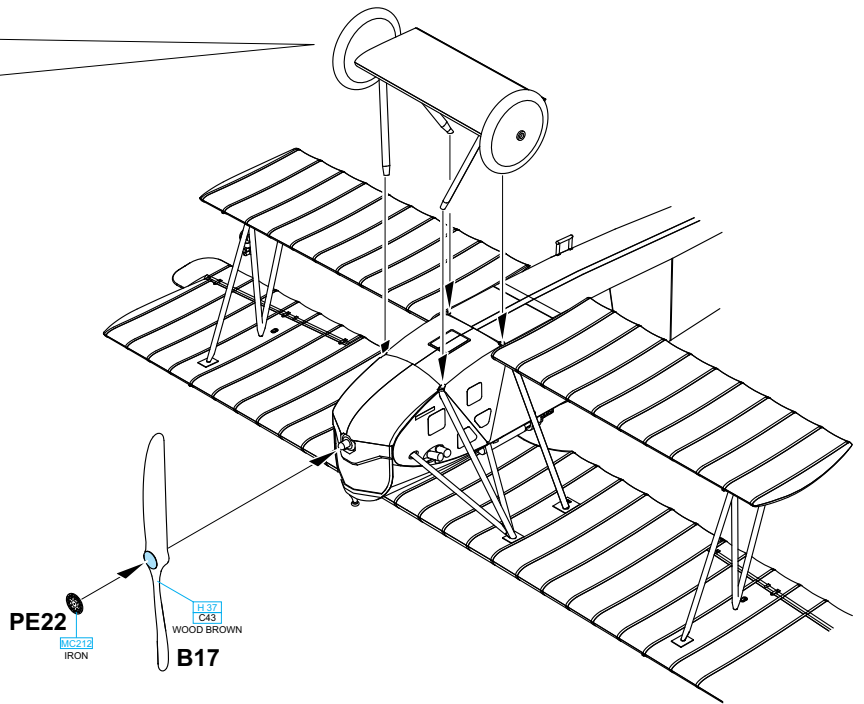
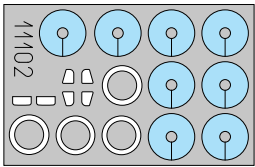
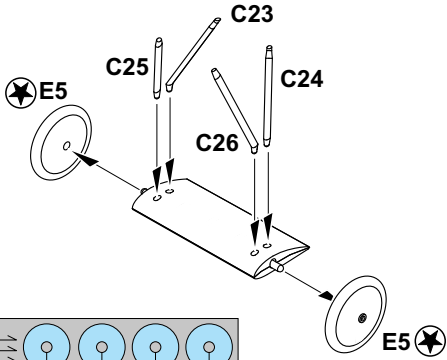
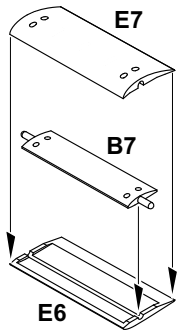


APPLY LOZENGE DECAL IN THIS STEP
V TOMTO KROKU NANESTE OBTISKY LOZENGE

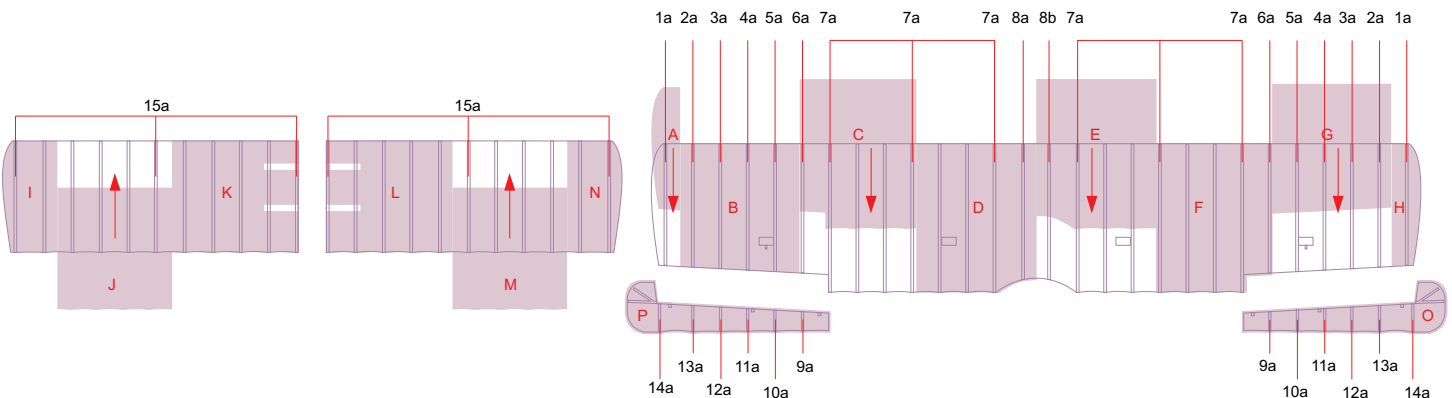


BOTTOM LOZENGE: A, B, C, D, E, F, G, H
RIB STRIPES AND COMPLETE LOZENGE DECAL
APPLICATION - SEE PAGE 7
PRO APLIKACI PÁSKŮ NA ŽEBRA A KOMPLETNÍCH
LOZENGOVÝCH OBTISKŮ PROSTUDUJTE str. 7



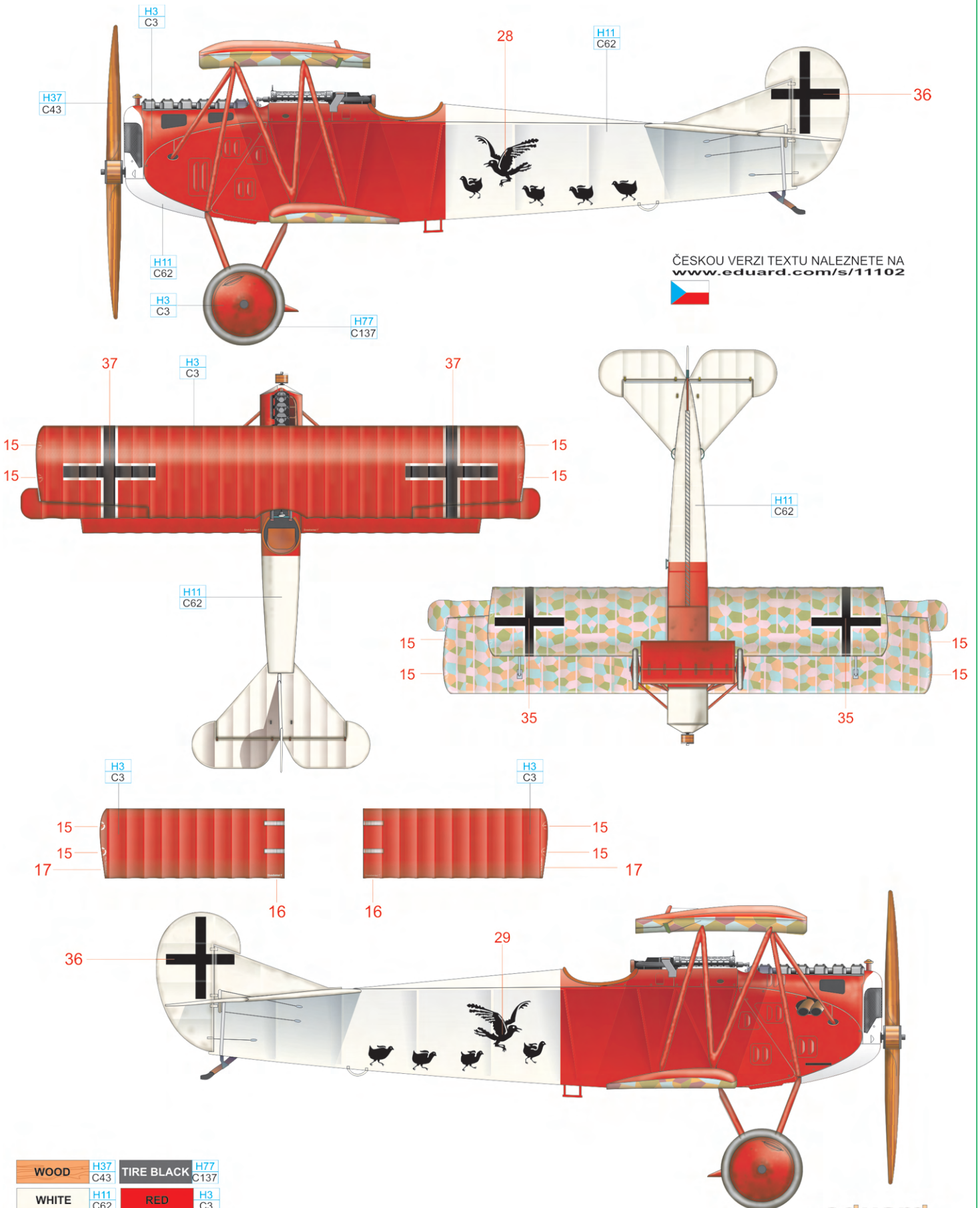


PORTY



A Fokker D.VII (Alb), flown by Ltn. d. R. Günther von Büren, Jasta 18, Montingen, September 1918

This aircraft was flown by Ltn. d. R. Günther von Büren, a native of Berlin – Charlottenburg. When war broke out, he joined an infantry regiment as a volunteer (2. Königlich Sächsischen Ulanen-Regiment Nr. 18). He served with this unit until the Summer of 1918 when he joined Fliegerabteilung 31. In August 1918, von Büren became a member of Jasta 18, know as Raben Staffel. The squadron was named after the Staffel CO – August Raben. The raven (der Raben in German) was painted on many Staffel aircraft, including von Büren’s machine. The front half of the aircraft is painted red, and the rear is white. It is not clear if the lower surface of wings were left unpainted in their lozenge-printed fabric, or if painted red.



WOOD	H37 C43	TIRE BLACK	H77 C137
WHITE	H11 C62	RED	H3 C3

ATTENTION



UPOZORNĚNÍ



ACHTUNG



ATTENTION



注意



Carefully read instruction sheet before assembling. When you use glue or paint, do not use near open flame and use in well ventilated room. Keep out of reach of small children. Children must not be allowed to suck any part, or pull vinyl bag over the head.



Před započítím stavby si pečlivě prostudujte stavební návod. Při používání barev a lepidel pracujte v dobře větrané místnosti. Lepidla ani barvy nepoužívejte v blízkosti otevřeného ohně. Model není určen malým dětem, mohlo by dojít k požití drobných dílů.

INSTRUCTION SIGNS

* INSTR. SYMBOLY

* INSTRUKTION SINNBILDEN

* SYMBOLES

* 記号の説明

OPTIONAL
VOLBABEND
OHNOUTOPEN HOLE
VYVRTAT OTVORSYMMETRICAL ASSEMBLY
SYMETRICKÁ MONTÁŽREMOVE
ODŘÍZNOUTREVERSE SIDE
OTOČITAPPLY EDUARD MASK
AND PAINT
POUŽÍT EDUARD MASK
NABARVIT

PARTS



DÍLY



TEILE



PIÈCES

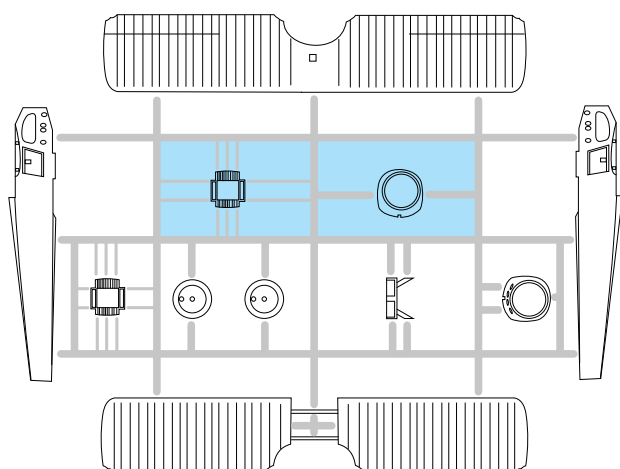


部品

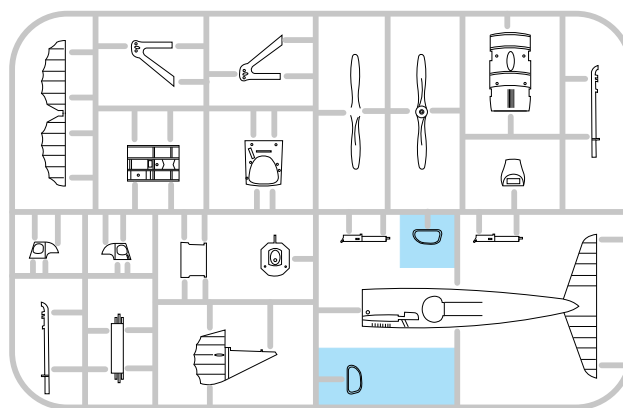
SPAD XIII

PLASTIC PARTS

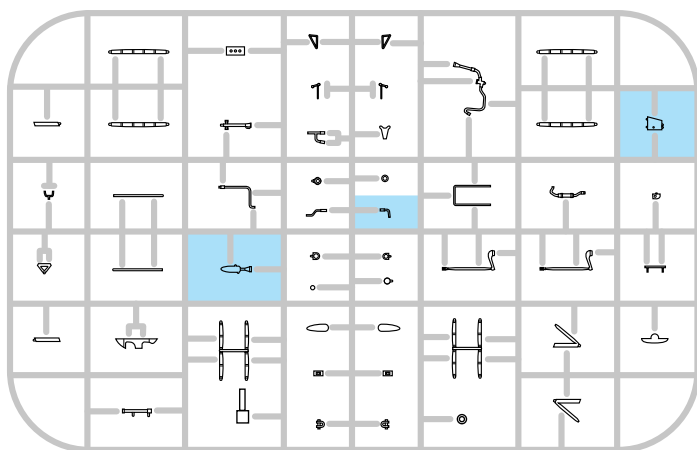
B>



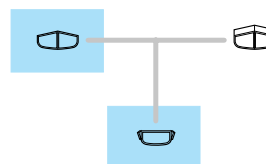
C>



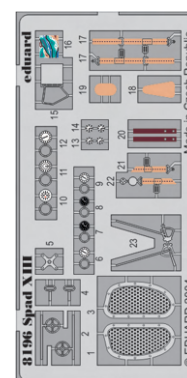
D>



E>



PE -
PHOTO ETCHED
DETAIL PARTS



-Parts not for use. -Teile werden nicht verwendet. -Pièces à ne pas utiliser. -Tyto díly nepoužívejte při stavbě. - 使用しない部品

COLOURS



BARVY



FARBEN



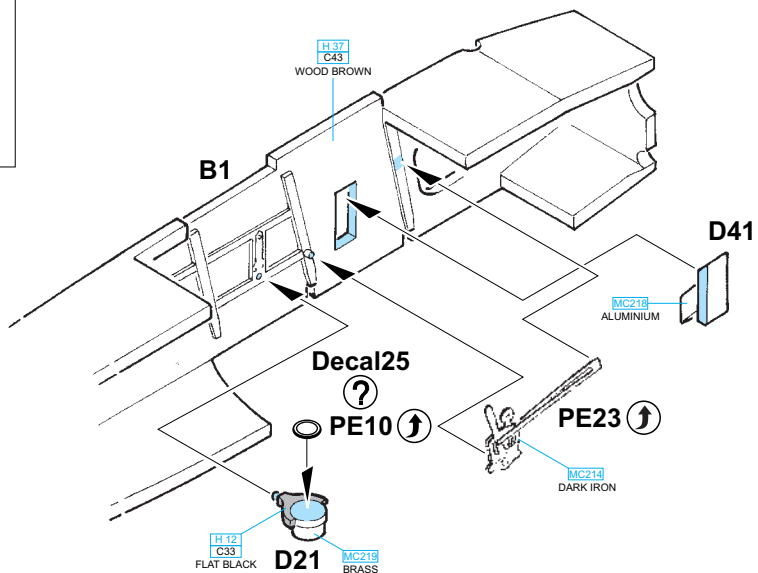
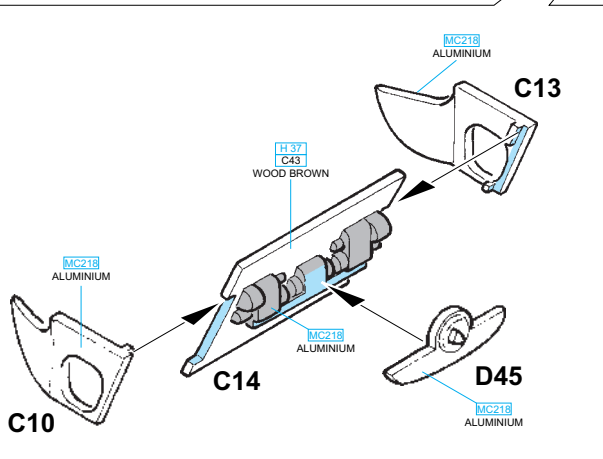
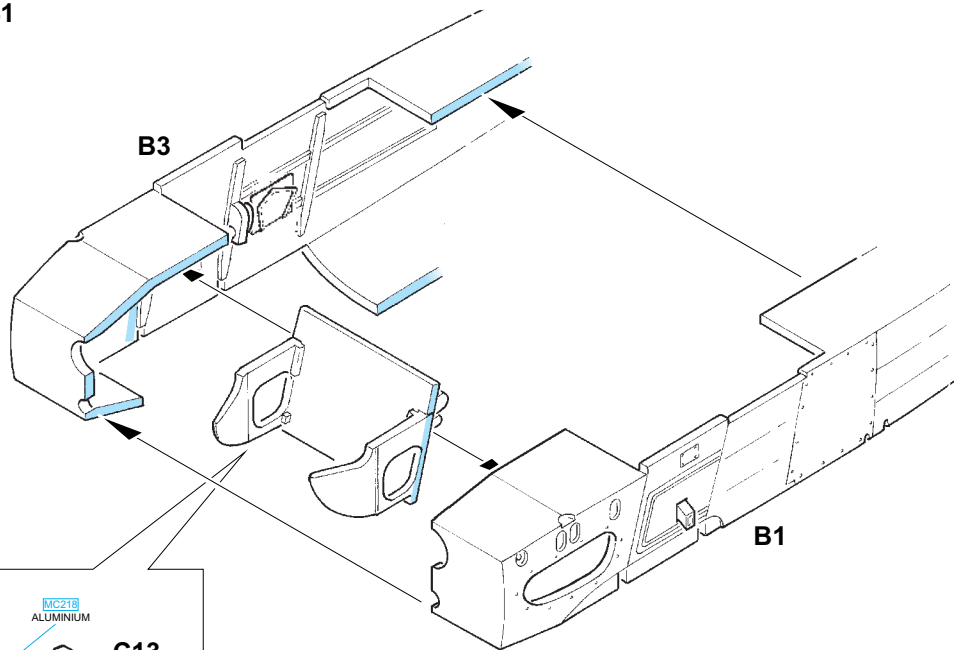
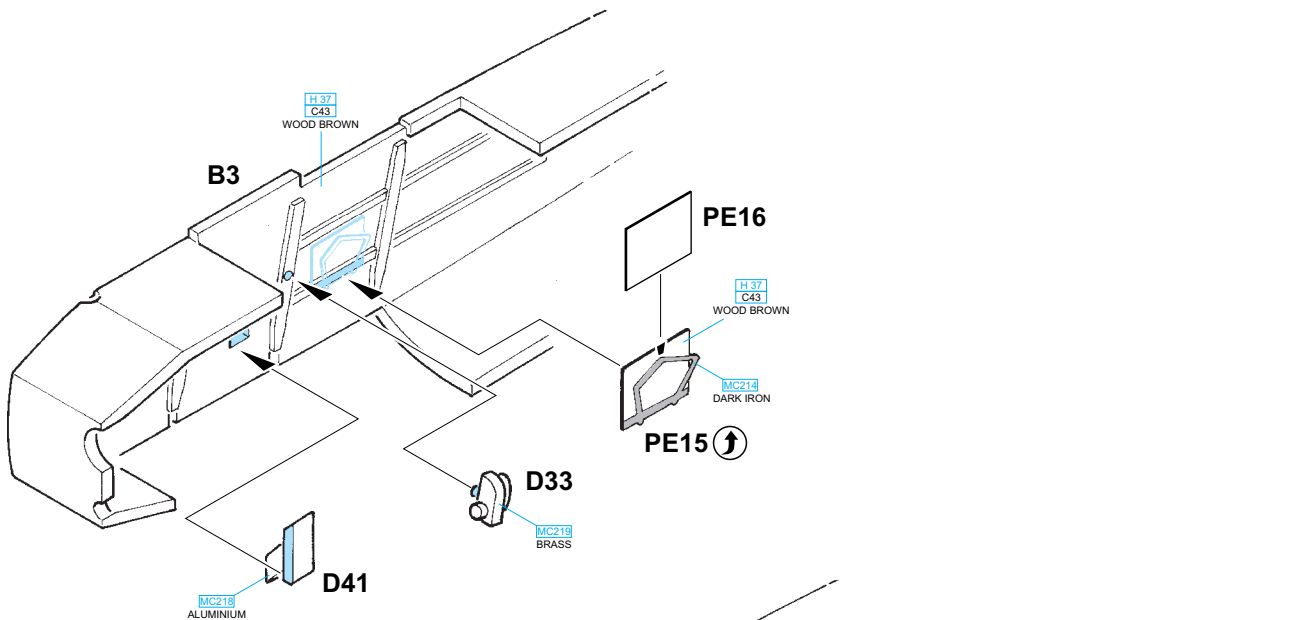
PEINTURE

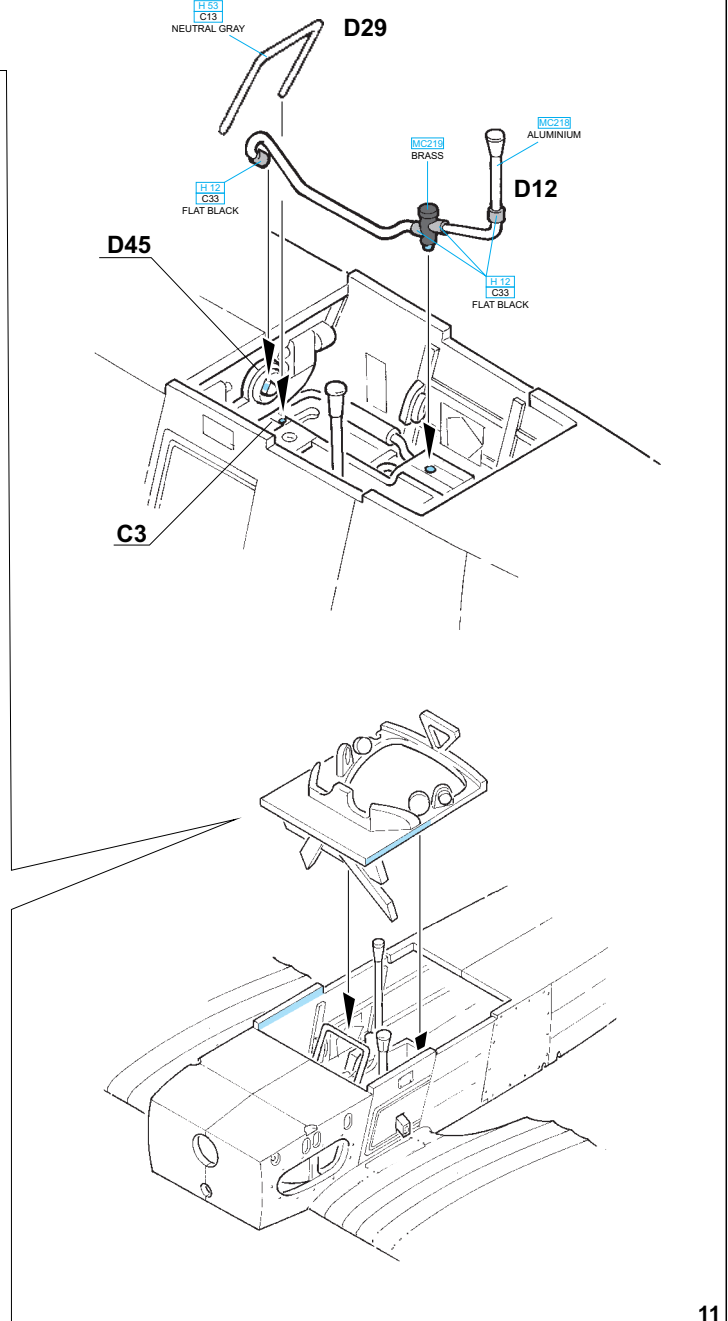
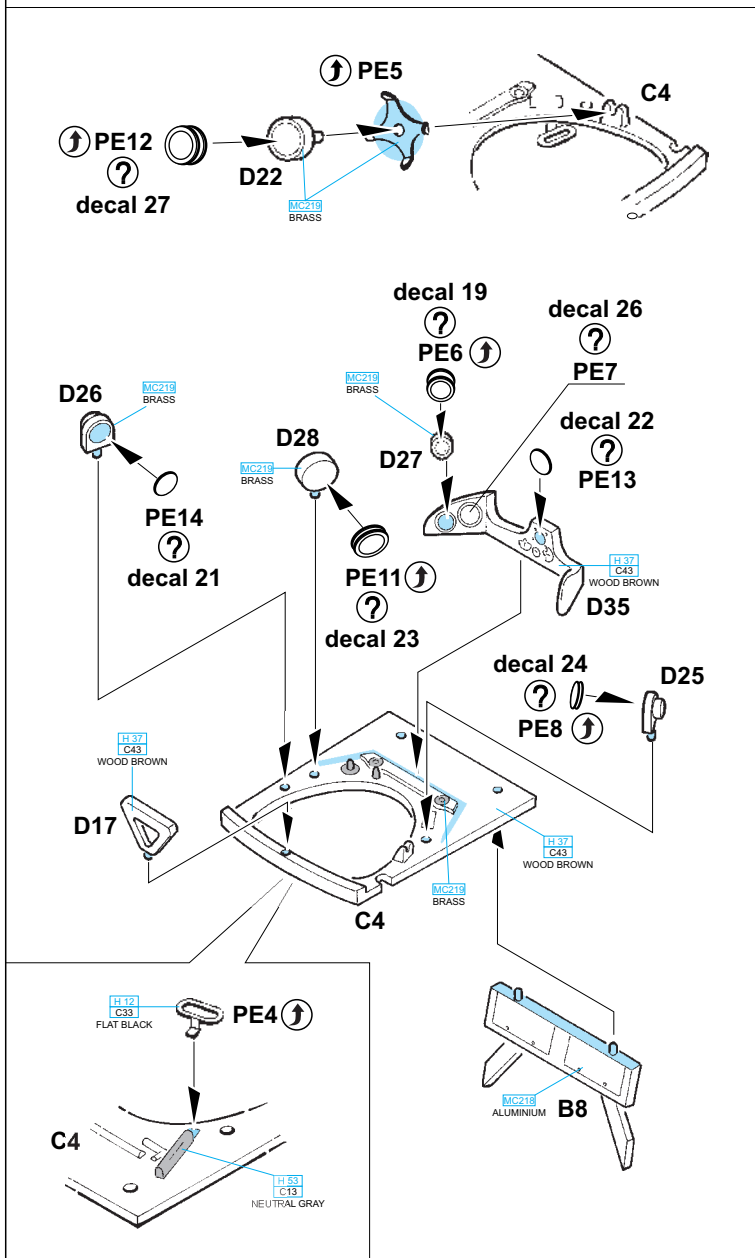
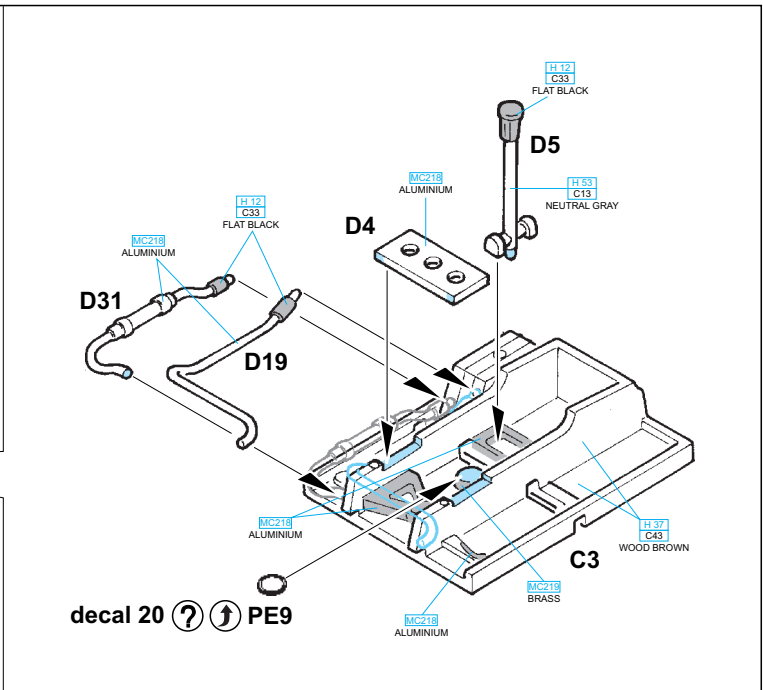
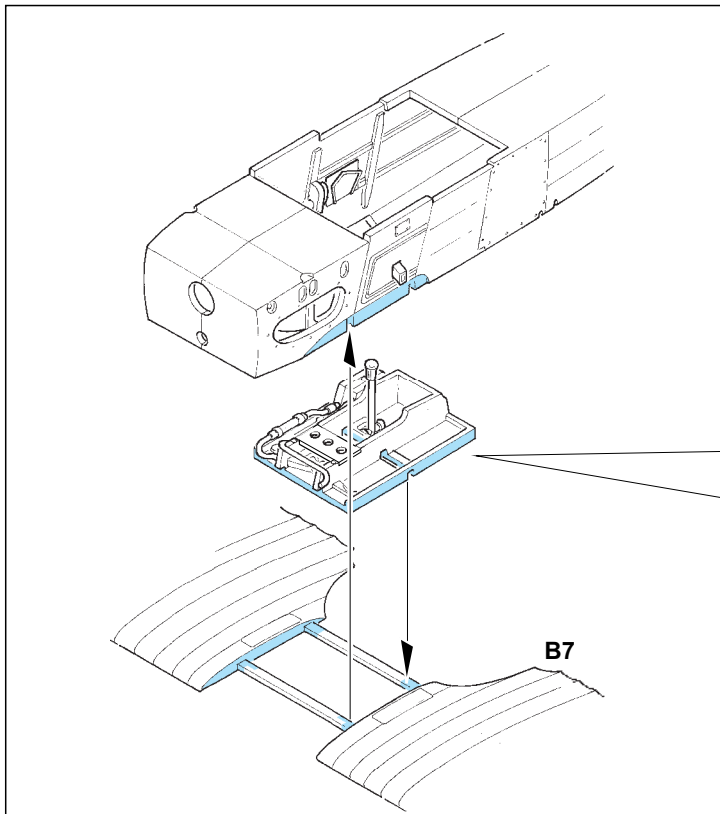


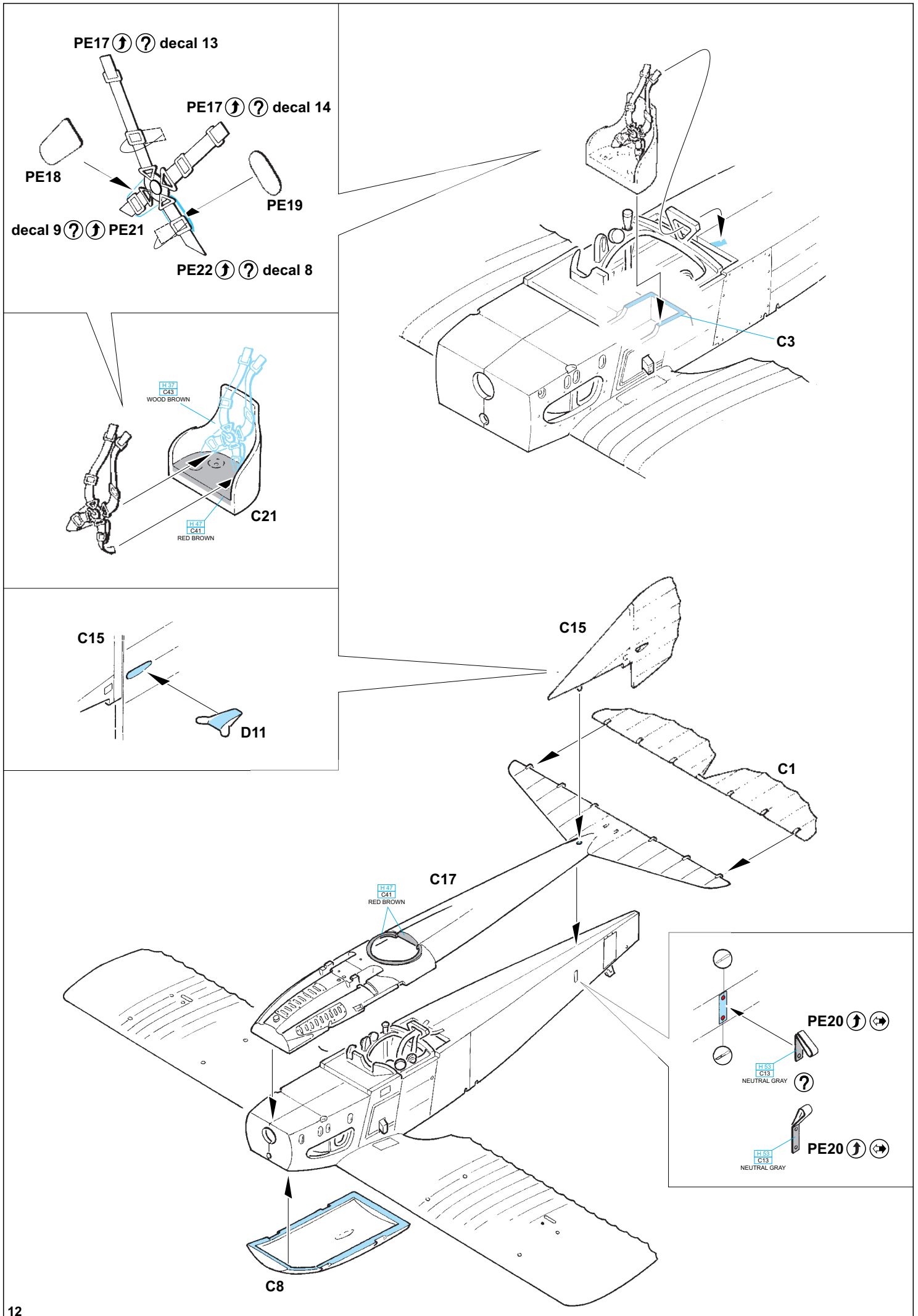
色

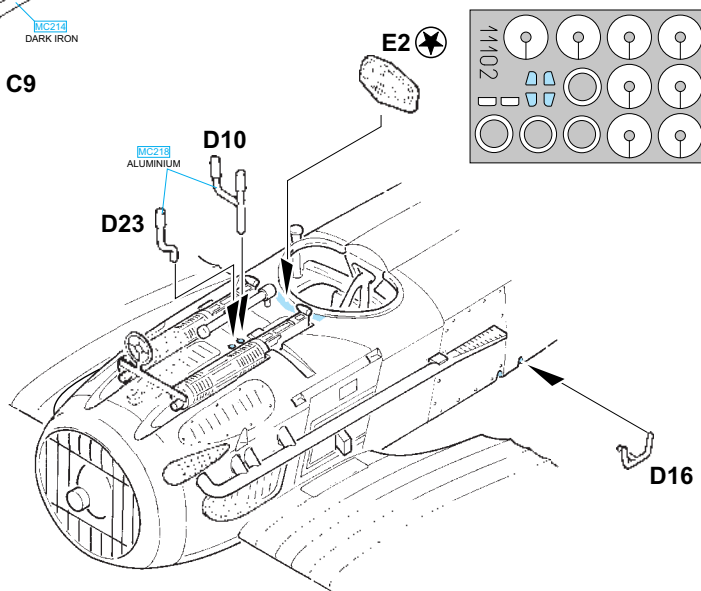
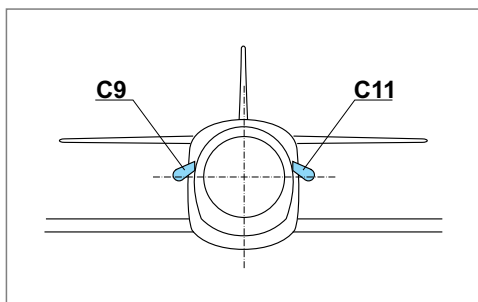
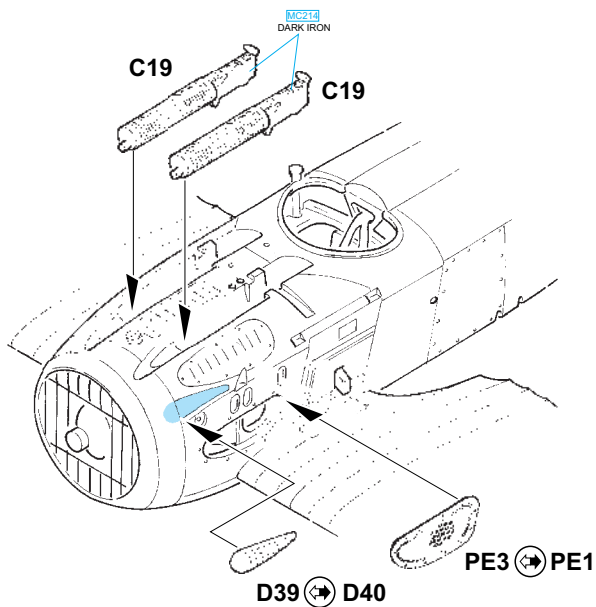
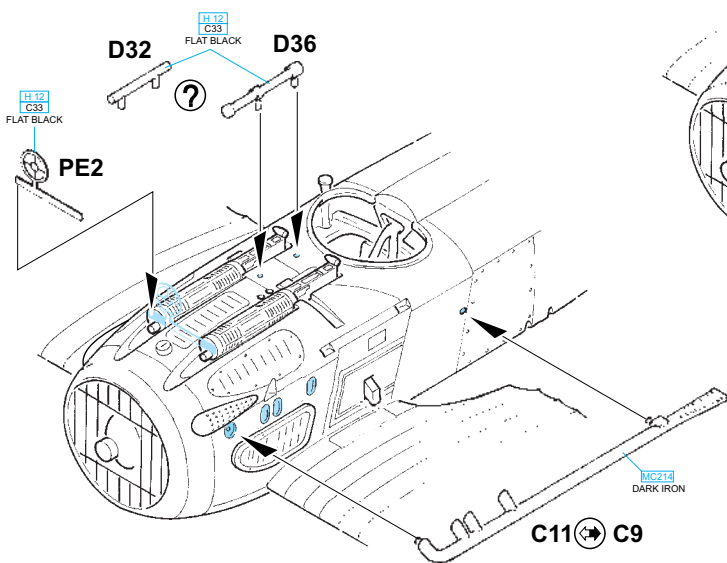
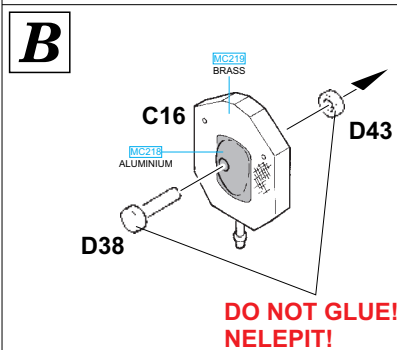
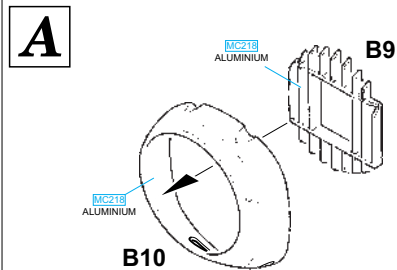
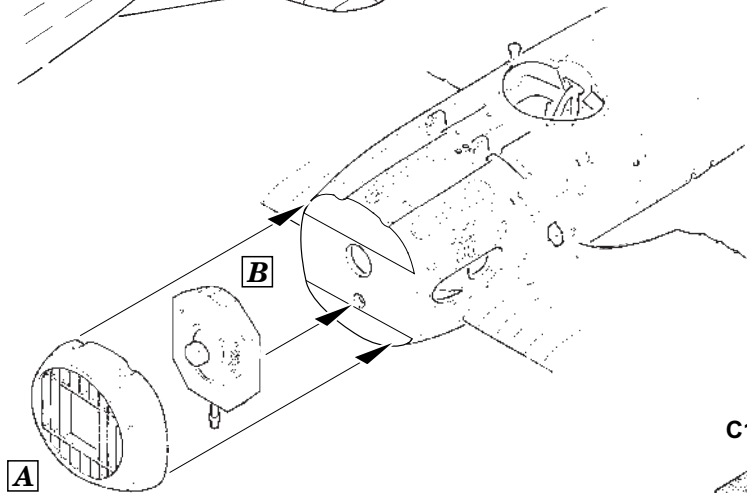
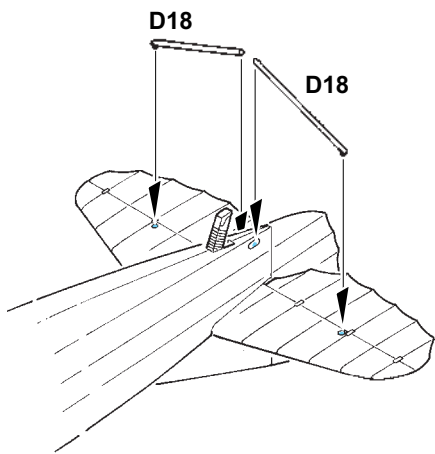
GSI Creos (GUNZE)		
AQUEOUS	Mr.COLOR	
[H 5]	C5	BLUE
[H 12]	C33	FLAT BLACK
[H 37]	C43	WOOD BROWN
[H 47]	C41	RED BROWN
[H 51]	C11	LIGHT GRAY
[H 53]	C13	NEUTRAL GRAY
[H 64]	C17	BLACK GREEN
[H 66]	C119	SANDY BROWN

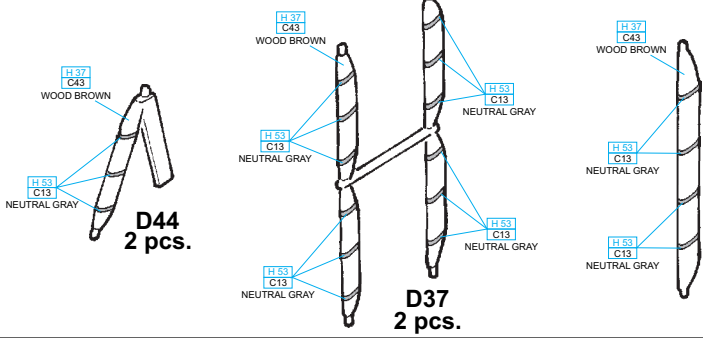
GSI Creos (GUNZE)		
AQUEOUS	Mr.COLOR	
[H 72]	C22	DARK EARTH
[H 85]	C45	SAIL COLOR
[H 303]	C303	GREEN
AQUEOUS		Mr.COLOR
Mr.METAL COLOR		
	[MC214]	DARK IRON
	[MC218]	ALUMINIUM
	[MC219]	BRASS





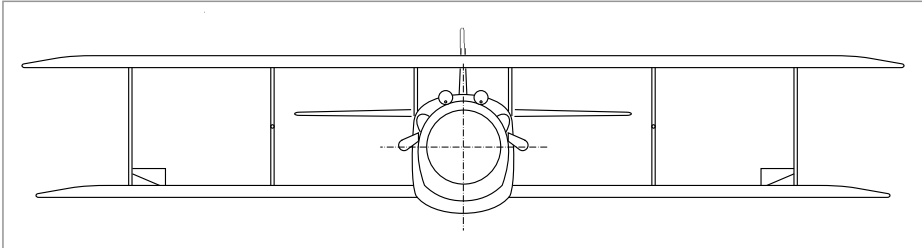
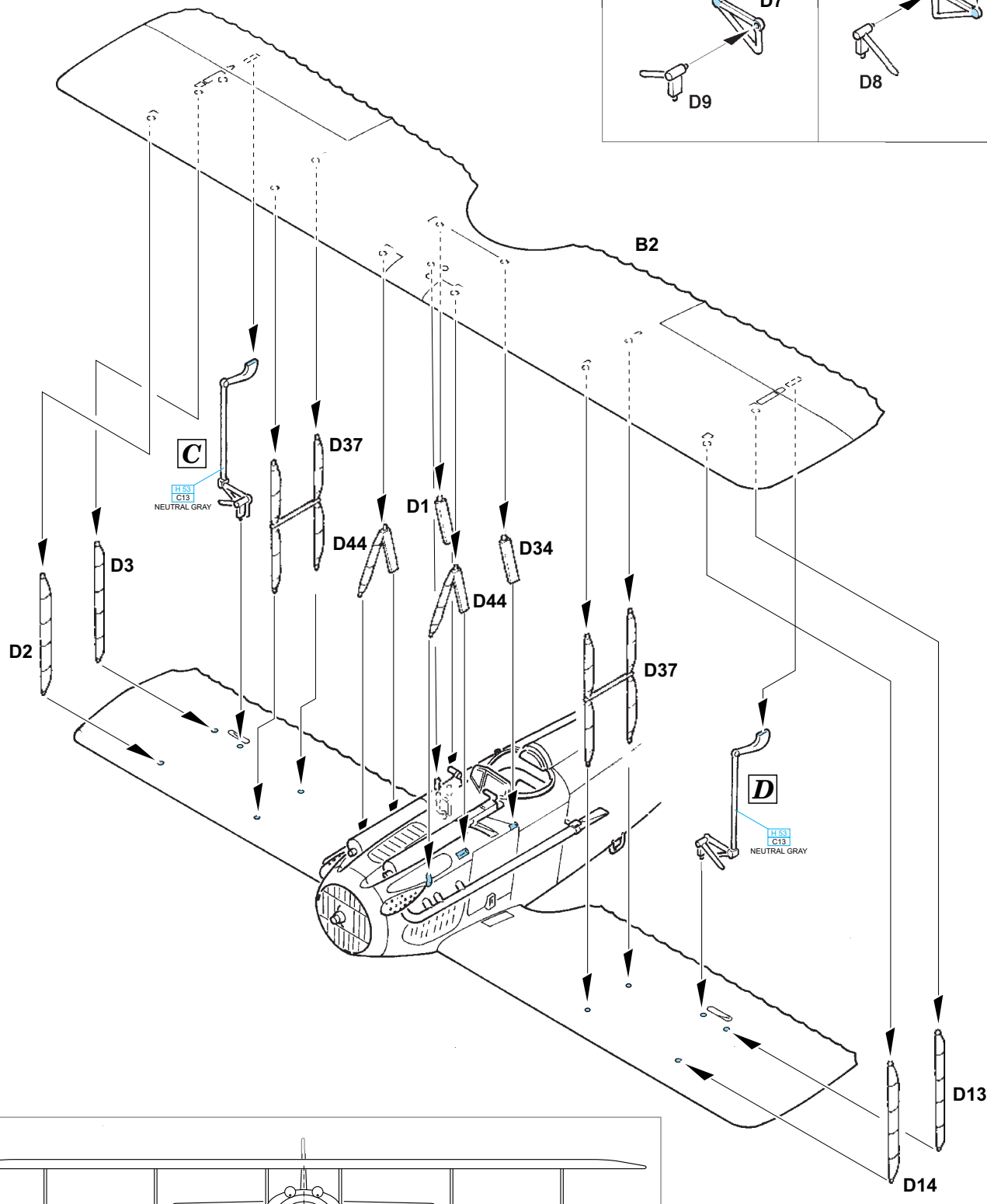
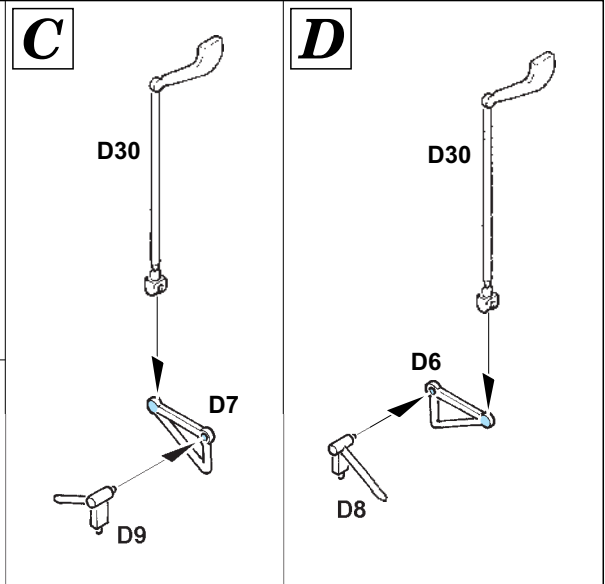


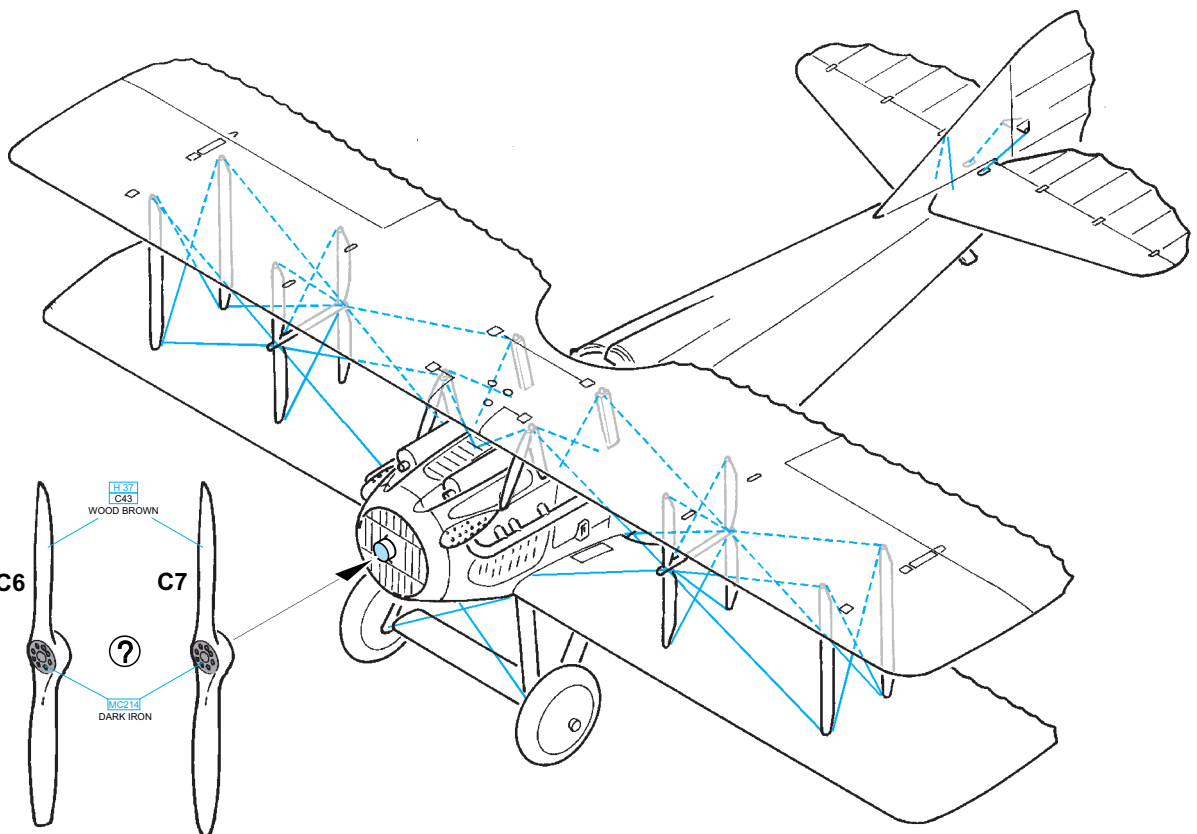
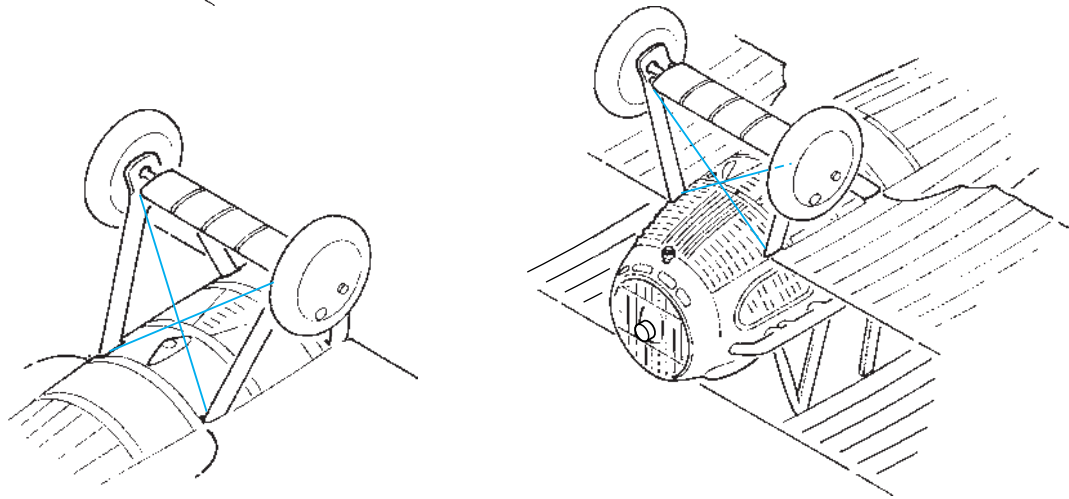
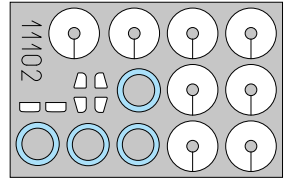
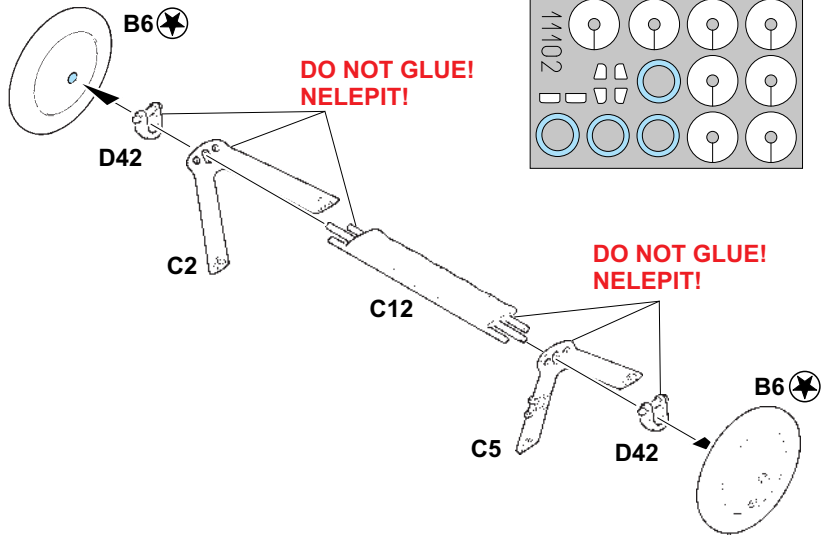
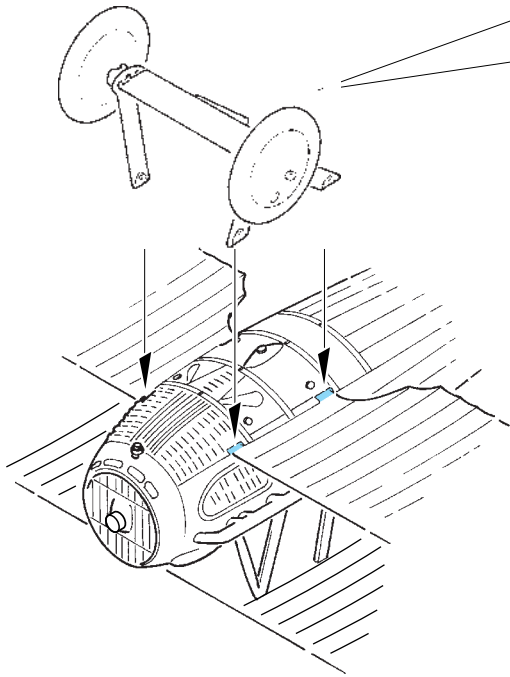




**D44
2 pcs.**

**D37
2 pcs.**





B SPAD XIII, Lt. Frank Luke Jr., 27th Aero Squadron, September 1918

One of the SPAD XIIIs used over the course of September, 1918 by American balloon ace, Second Lieutenant Frank Luke, pilot with the 27th Aero Squadron, USAS. All of his eighteen kills, including fourteen balloons, were gained by Luke between September 12 and 27, 1918, when he himself was killed. The SPAD shown sports one of two camouflage schemes used by the firm Bleriot. Frank Luke was not only known as an excellent fighter pilot, but also as an overall undisciplined soloist.

