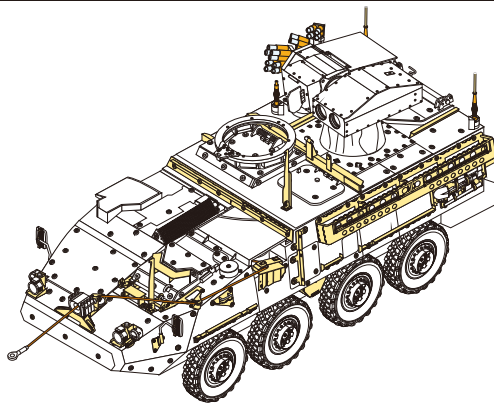


1/35 MILITARY MINIATURE VEHICLE UPGRADE SERIES PE35321

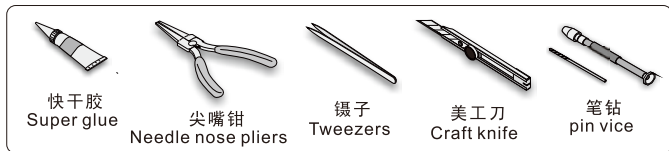
Modern US Army M1134

现代美军斯特瑞克M1134装甲车

[For AFV CLUB 35134]



■ 推荐使用工具 RECOMMENDED TOOLS

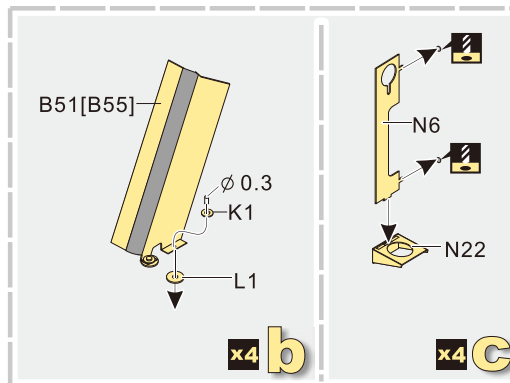
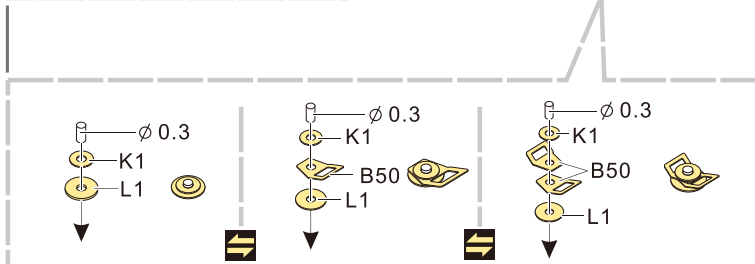
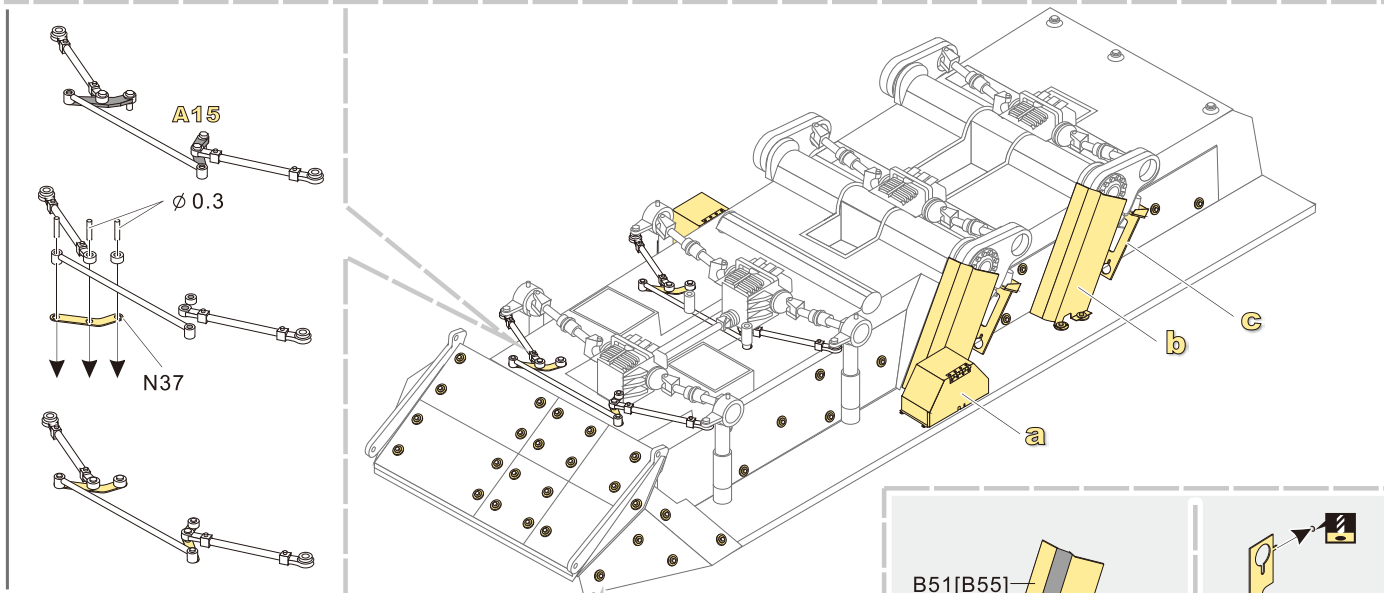
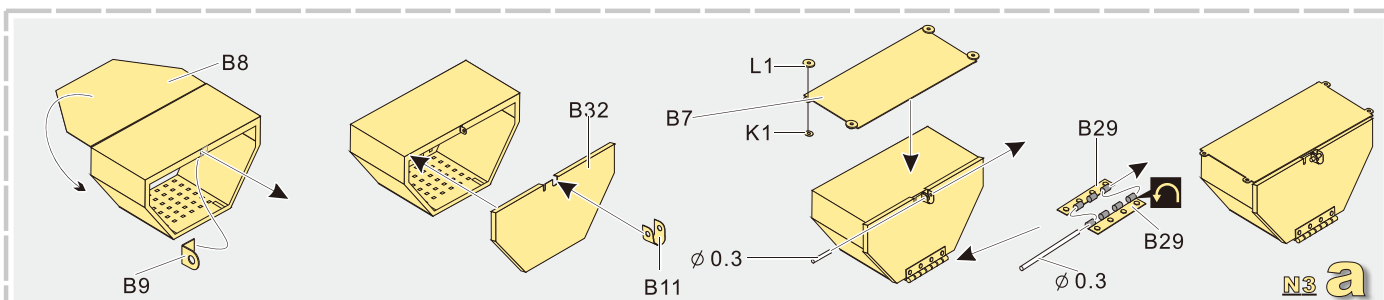


- 安装 install
- 折叠 bend
- A1** 改造件零件编号 PE/resin part number
- B12** 原零件编号 kit part number
- C22** 被替换的原零件编号 replaced kit part number
- 切除 remove
- 打磨 grind off
- 弧度卷曲 radial bending
- x2** 制作若干组 multiple assembly
- 另一侧相同制作 repeat on opposite side
- 选择安装 alternative
- 注意 caution
- 扩孔 ream
- 钻孔 drill
- 填补 fill

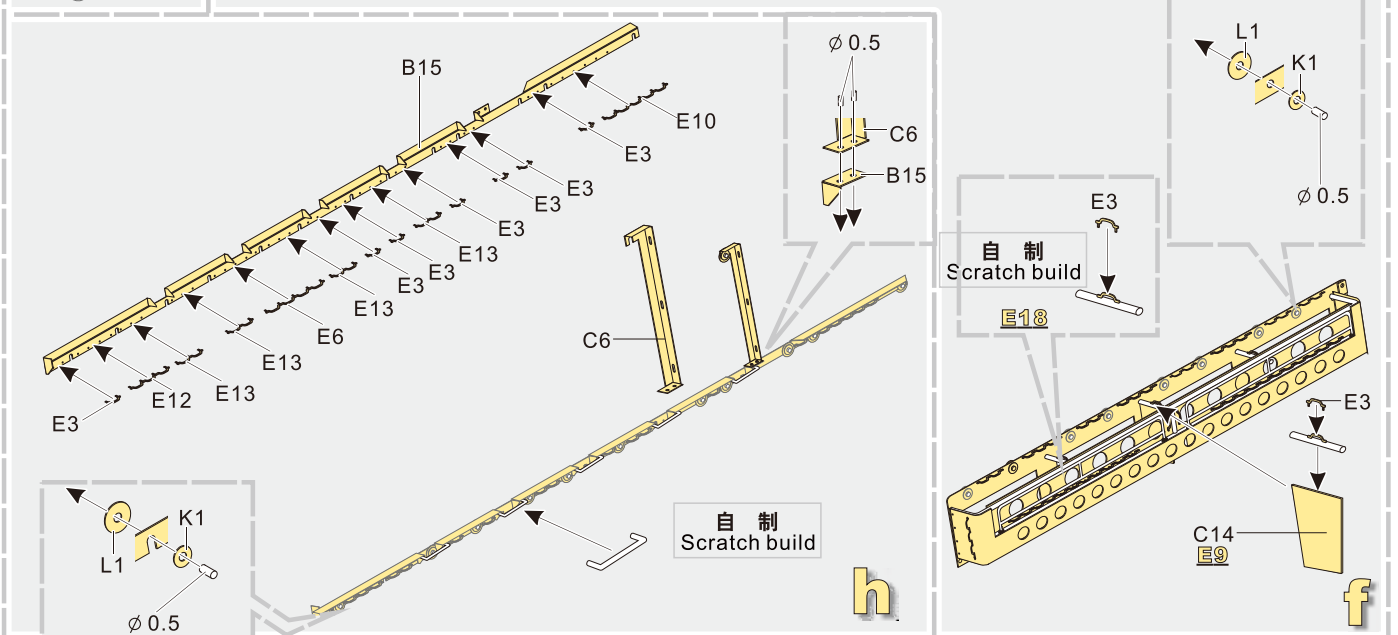
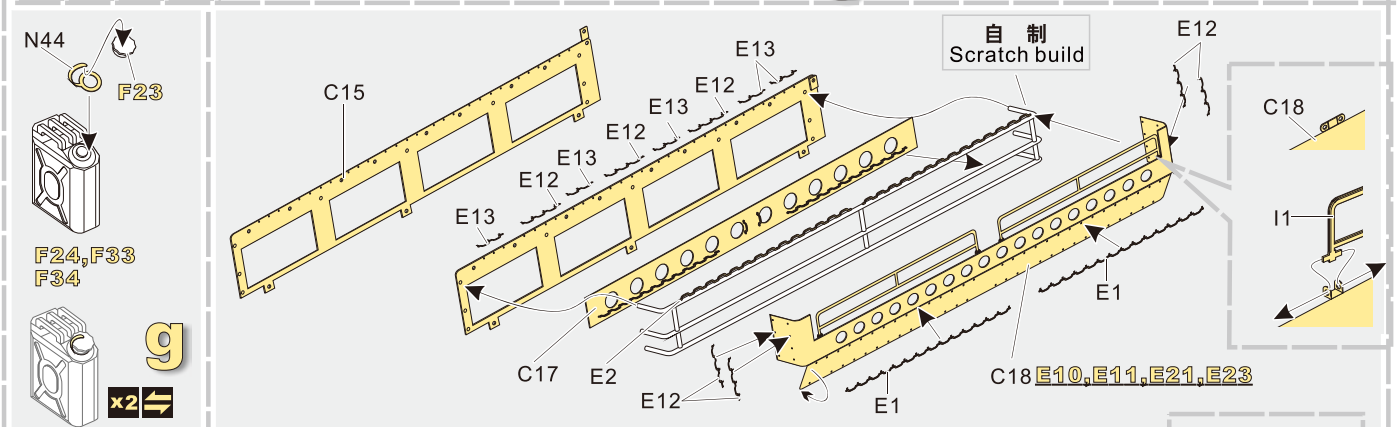
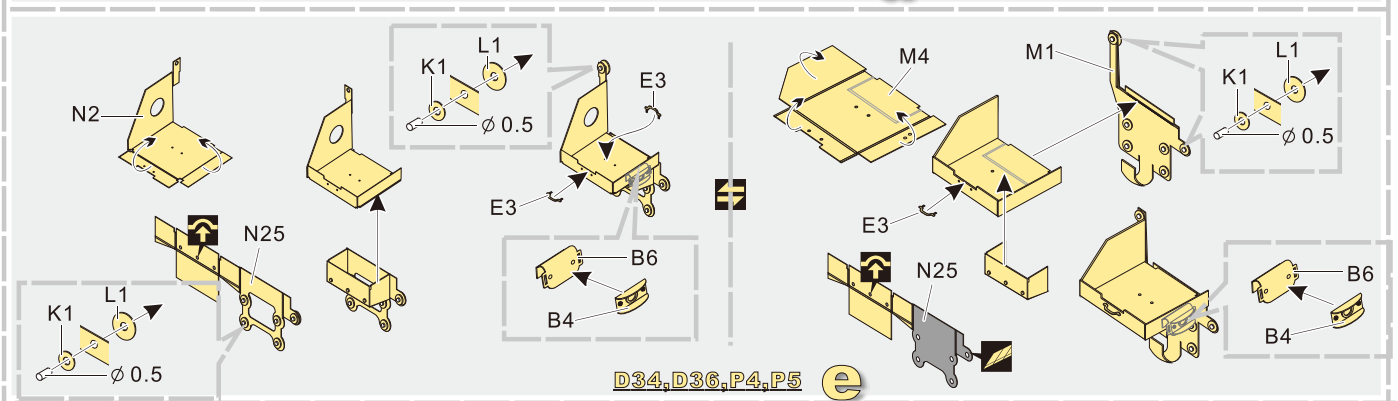
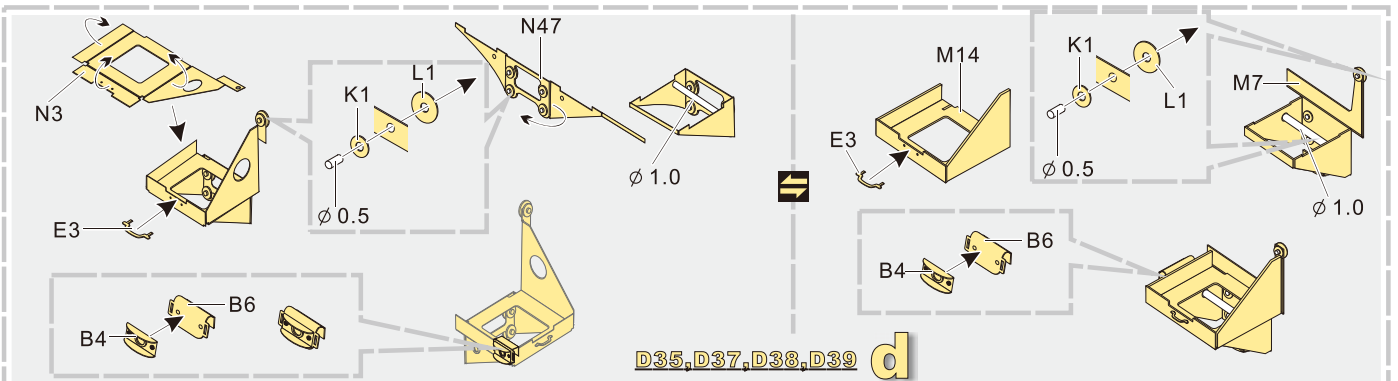
用尖端在凹槽处冲压
use penpoint to press on the dent

刻划片零件内侧面向上
Put the part upside down

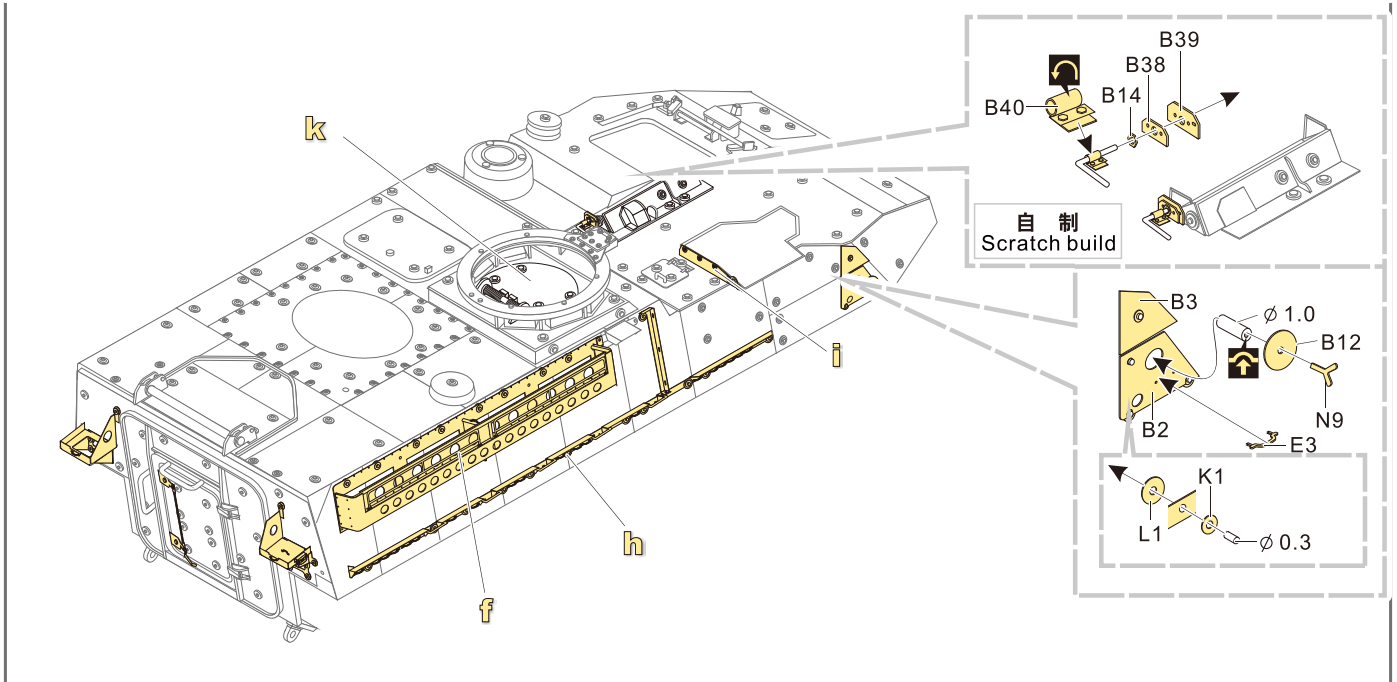
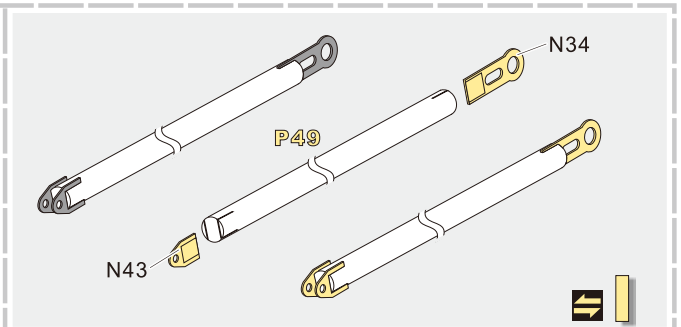
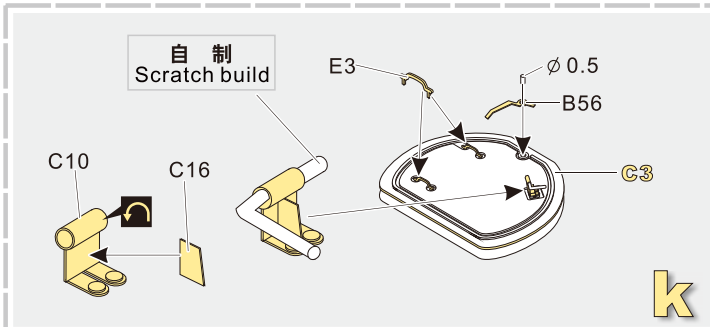
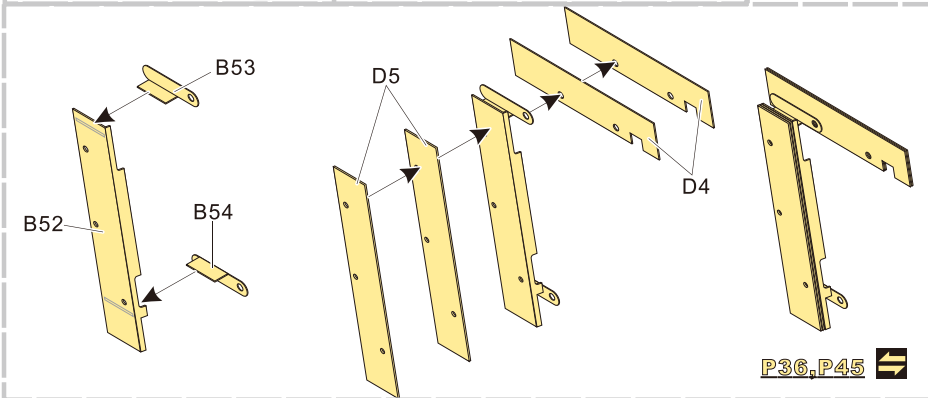
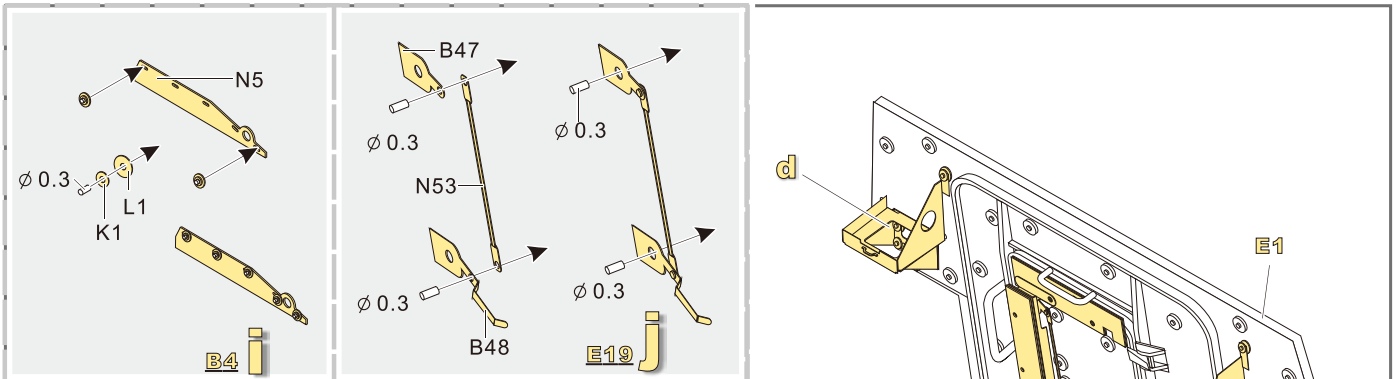
用笔尖在凹槽处刻
Use penpoint to press on the dent



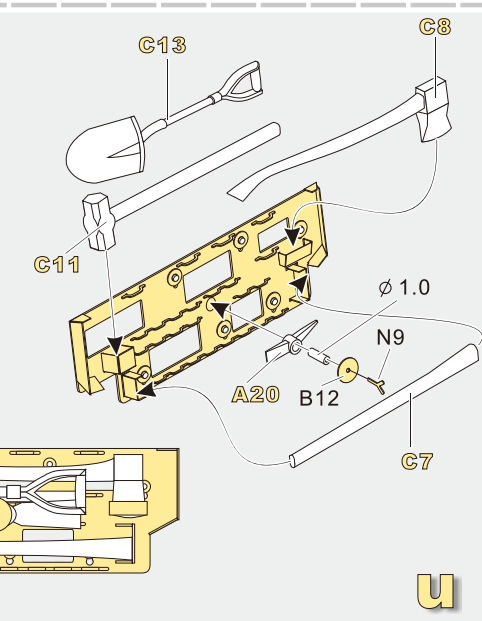
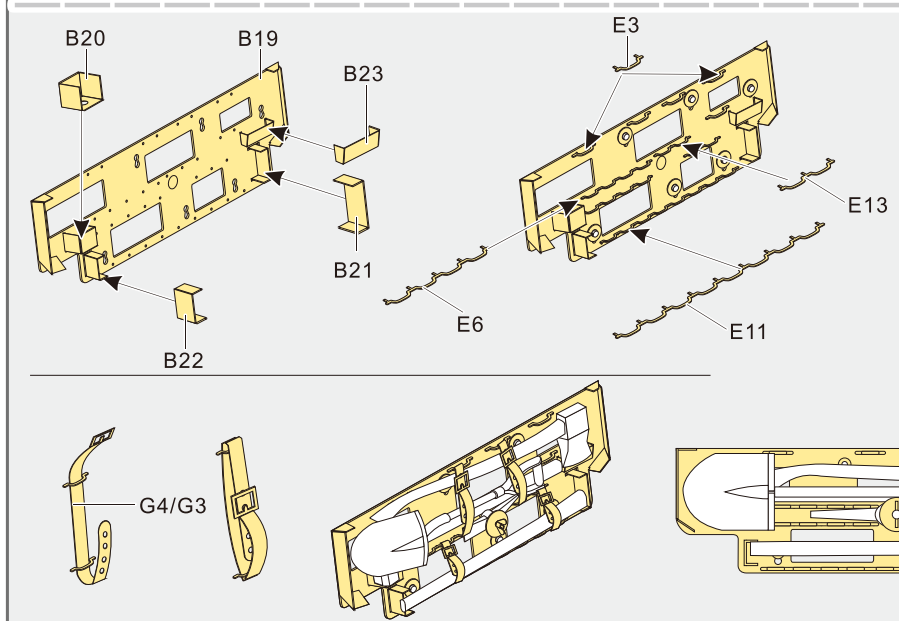
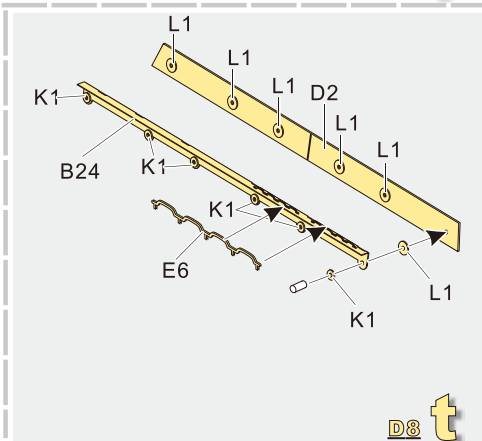
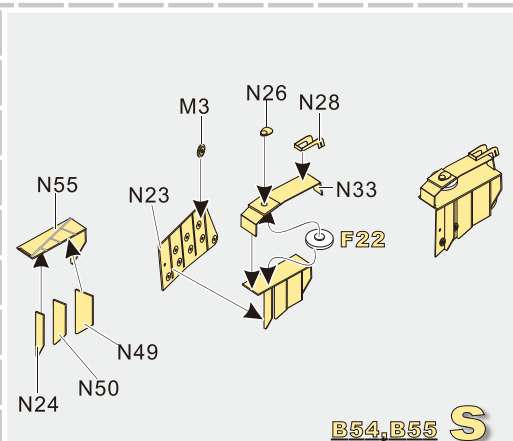
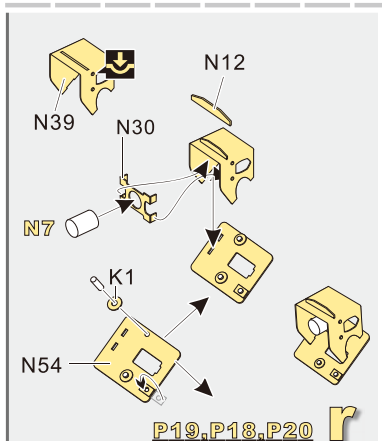
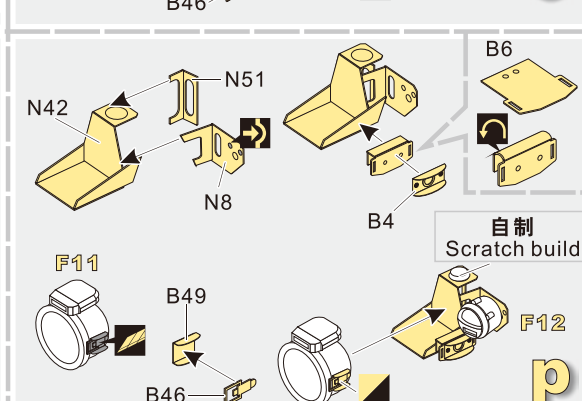
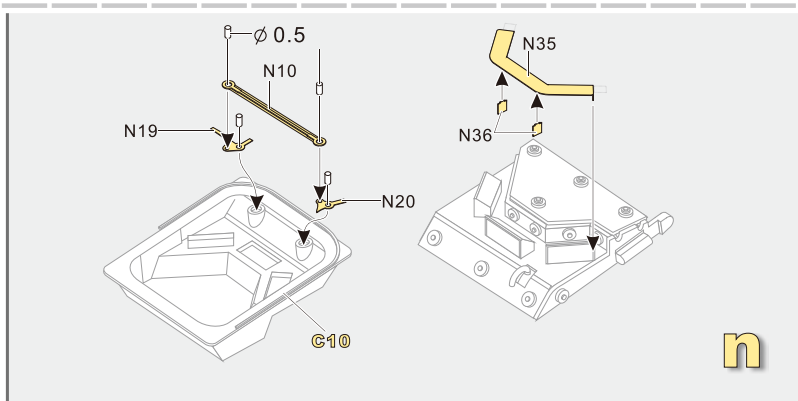
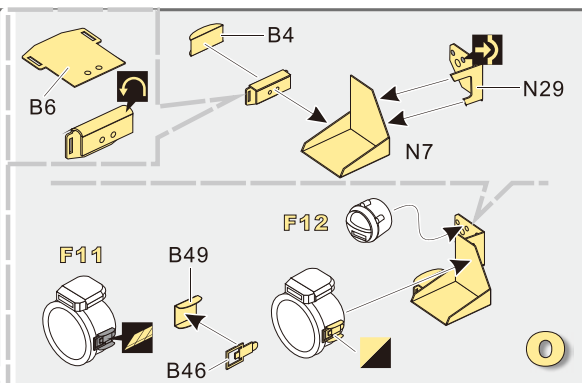
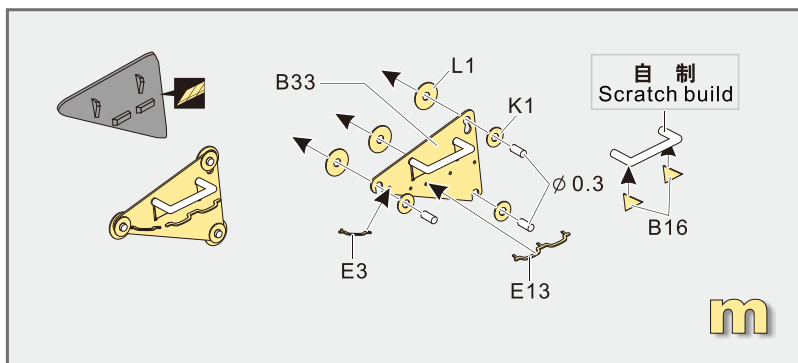
1/35 MILITARY MINIATURE VEHICLE UPGRADE SERIES PE35321



1/35 MILITARY MINIATURE VEHICLE UPGRADE SERIES PE35321



1/35 MILITARY MINIATURE VEHICLE UPGRADE SERIES PE35321



1/35 MILITARY MINIATURE VEHICLE UPGRADE SERIES PE35321

V

B46 W

G12 X

y

自制 Scratch build

z

金属件 Metal part

N22 x2 aa

金属件 Metal part

B47 ab

ac

自制 Scratch build

ad

自制 Scratch build

N45[N46]

F31, F20

B27[B28]

C12

$\phi 1.0$

C7

o

p

r

n

t

M5

M2 G45

M12 G49

aa

M10 G46

M11 G47

ab

u

y

x

ad

v

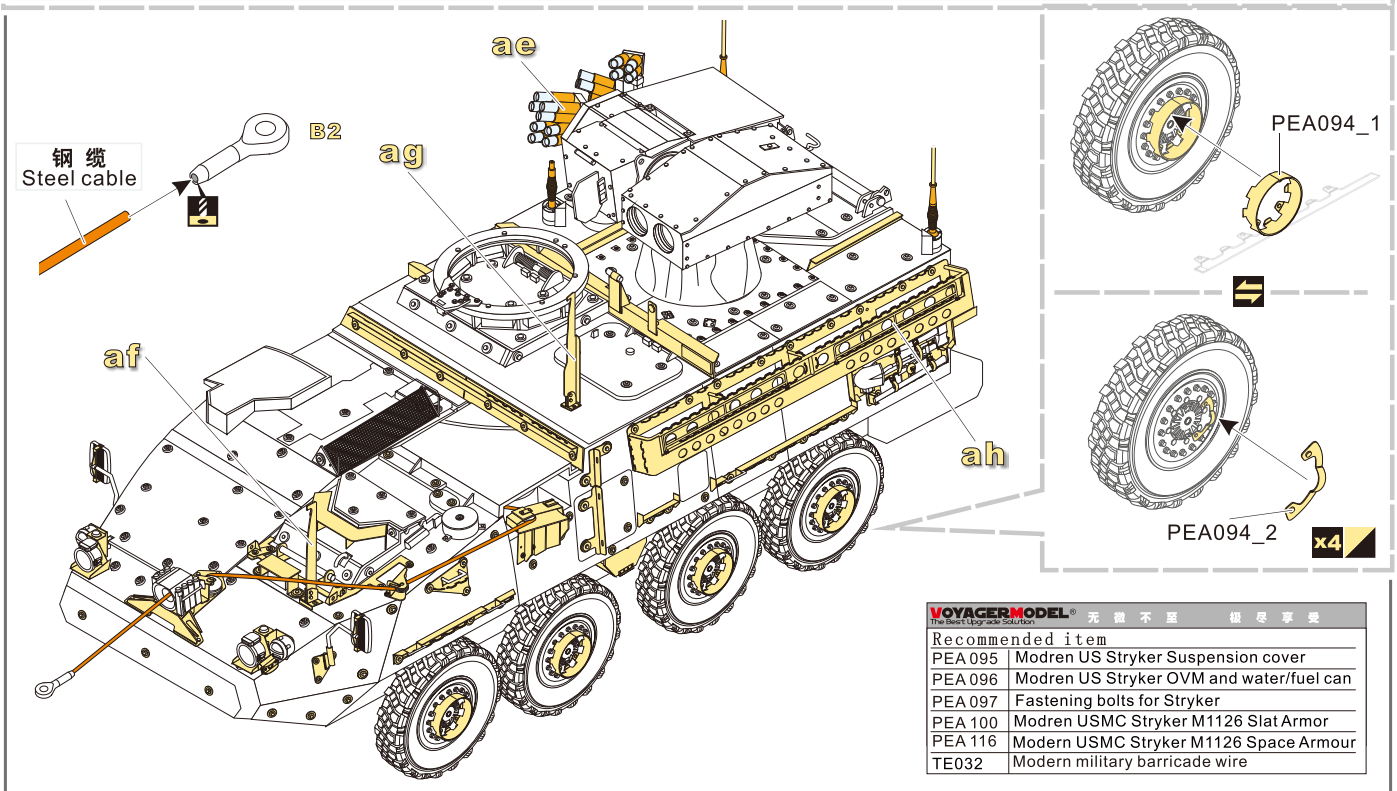
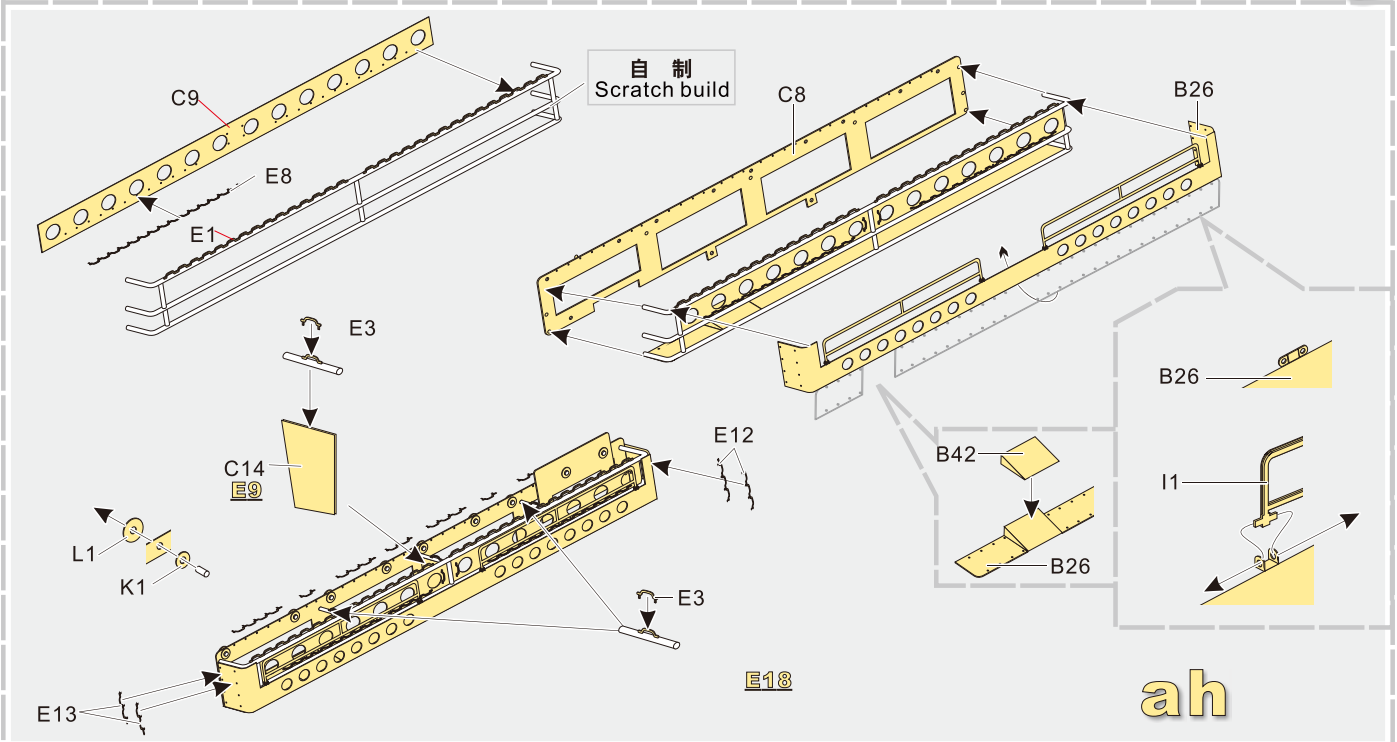
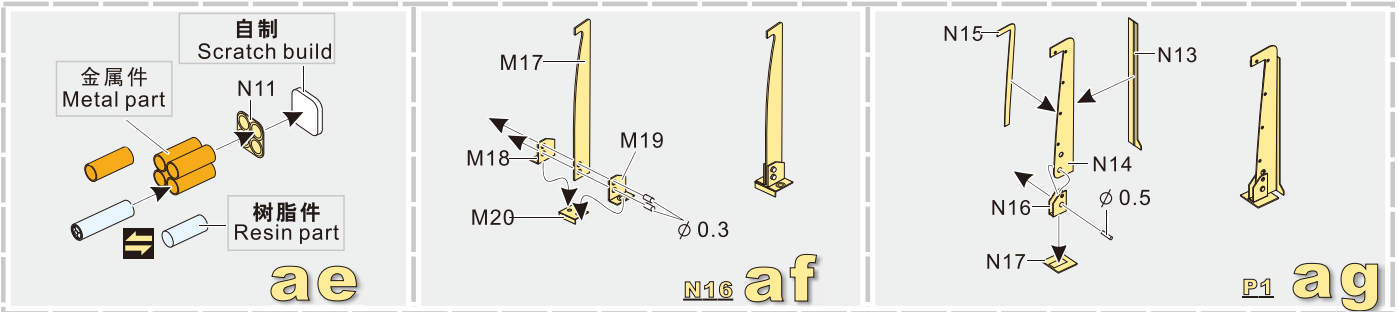
w

s

mac

z

1/35 MILITARY MINIATURE VEHICLE UPGRADE SERIES PE35321



VOYAGERMODEL® 无微不至 精益求精	
Recommended item	
PEA 095	Modern US Stryker Suspension cover
PEA 096	Modern US Stryker OVM and water/fuel can
PEA 097	Fastening bolts for Stryker
PEA 100	Modern USMC Stryker M1126 Slat Armor
PEA 116	Modern USMC Stryker M1126 Space Armour
TE032	Modern military barricade wire