

1/72 SCALE

Italian MC.200 Saetta



EASY ASSEMBLY AUTHENTIC KIT

- 
 cyanoacrylate glue
 强力胶
- 
 weight
 配重
- 
 make hole
 钻孔
- 
 cut / remove
 切除
- 
 option
 选择
- 
 no cement
 不涂胶水
- 
 decal
 贴纸
- 
 bend
 弯曲

The way to apply the decals

1. Cut off the decal from the decal paper and put it into the warm water 40°C for 10 seconds.
2. Take the decal from the water and put it on a piece of clean cloth.
3. Remove the decal slowly from the paper to the targeted location by a wet finger.
4. Use a piece of dry and soft cloth to press it gently on the decal until it getting dry and no bubble existing.

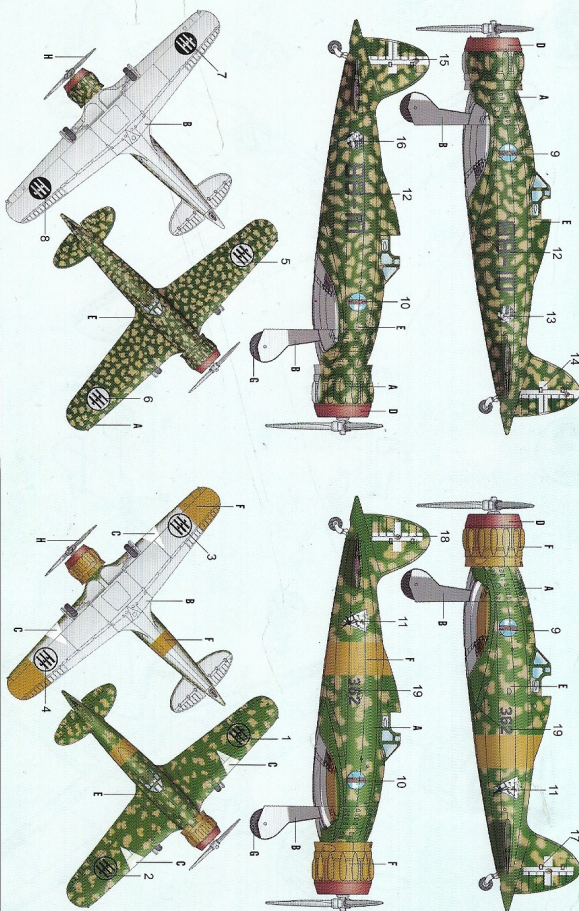
水贴纸的使用方法:

- 一、把相关的印花从水贴纸上剪下，放入40℃左右的温水中浸10秒。
- 二、然后将印花放在干净的布上。
- 三、拿上印花模板，手指蘸水将印花移到适当的位置。
- 四、用软干布轻压印花直至水干，气泡消失。

80291

88 Squadriglia, 6 Gruppo C.T., 1 Stormo C.T., 88-10

362 Squadriglia, 22 Gruppo Autonomo, 362.



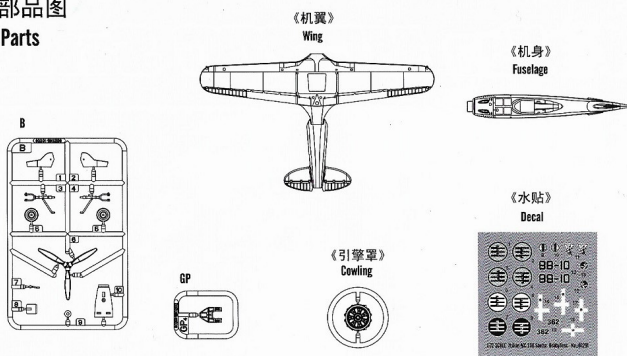
使用:HOBBY染料
 Mr. Color used

MR-COLOUR

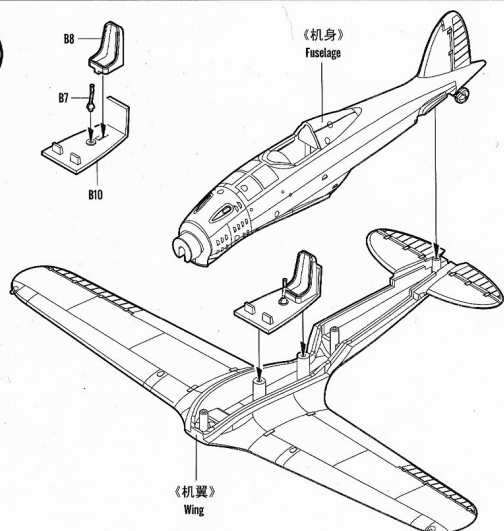
Color	Mr. Color	Mr. Color	Mr. Color	Mr. Color	Mr. Color	Mr. Color	Mr. Color	Mr. Color	Mr. Color	Mr. Color	Mr. Color	Mr. Color	Mr. Color	Mr. Color	Mr. Color	Mr. Color	Mr. Color	Mr. Color	Mr. Color
1	White	White	White	White	White	White	White	White	White	White	White	White	White	White	White	White	White	White	White
2	Green	Green	Green	Green	Green	Green	Green	Green	Green	Green	Green	Green	Green	Green	Green	Green	Green	Green	Green
3	Yellow	Yellow	Yellow	Yellow	Yellow	Yellow	Yellow	Yellow	Yellow	Yellow	Yellow	Yellow	Yellow	Yellow	Yellow	Yellow	Yellow	Yellow	Yellow
4	Red	Red	Red	Red	Red	Red	Red	Red	Red	Red	Red	Red	Red	Red	Red	Red	Red	Red	Red
5	Black	Black	Black	Black	Black	Black	Black	Black	Black	Black	Black	Black	Black	Black	Black	Black	Black	Black	Black

*Some paints may not be available in your country. Please check your local hobby shop for substitute.

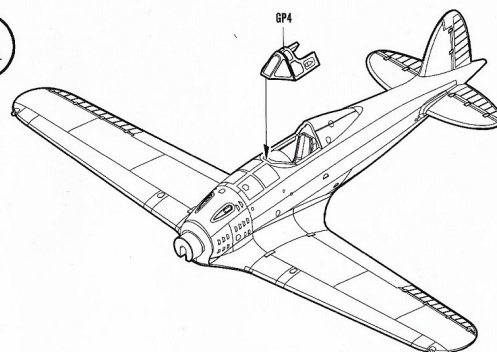
部品图 Parts



1 STEP



2 STEP



3 STEP

