

Revell

KIT 5524

85552410200

A-26B INVADER

The first A-26 Invader rolled off the assembly line in 1943 and it has the distinction of being the only combat aircraft used by the United States in World War II, Korea and Vietnam. There are still some A-26's being used today in civil duties such as fire fighting and air shows. It's sixty-plus years of service attest to it's excellent design, versatility and rugged combat durability.

Your Revell A-26B Invader model includes an optional open or closed canopy, wheel chocks, three crew figures and eight 300 LB bombs. authentic decals for military A-26B "VersatileLady" and civil A-26C "Dragon Lady" fire fighter are also included.



* REPEAT SEVERAL TIMES
* A REPETER PLUSIEURS FOIS

* REPEAT PROCEDURE
* RÈPÈTEZ LE PROCÈDÈ

* OPTIONAL PARTS
* PIÈCES EN OPTION

* DECAL
* DECAL COMANIE

* ASSEMBLY CAUTION
* ATTENTION D'ASSEMBLÉE

* CEMENT TOGETHER
* A COLLER

* REMOVE AND THROW AWAY
* A RETIRER ET JETER

* DO NOT CEMENT
* NE PAS COLLER

READ THIS BEFORE YOU BEGIN

- * Study the assembly drawings.
- * Each plastic part is identified by a number.
- * In the assembly drawings, some parts will be marked by a star (★) to indicate chrome plated plastic.
- * For better paint and decal adhesion, wash the plastic parts in a mild detergent solution. Rinse and let air dry.
- * Check the fit of each piece before cementing in place.
- * Use only cement for polystyrene plastic.
- * Scrape plating and paint from areas to be cemented.
- * Allow paint to dry thoroughly before handling parts.
- * Any unused parts may be discarded.

DECAL APPLICATION INSTRUCTIONS

1. Cut desired decal from sheet.
2. Dip decal in water for a few seconds.
3. Place wet decal on paper towel.
4. Wait until decal is movable on paper backing.
5. Place decal in position on model, face up and slide backing away.
6. Press out air bubbles with a soft damp cloth.
7. Milkyness that may appear is for better decal adhesion and will dry clear. Wipe away any excess adhesive.
8. Do not touch decal until fully dry.
9. Allow the decals 48 hours to dry before applying clear coat.

NOTE: Decals are compatible with setting solutions or solvents.

LIRE CE QUI SUIT AVANT DE COMMENCER

- * Etudier les schémas de montage.
- * Chaque pièce en plastique est identifiée par un numéro.
- * Sur les schémas de montage, certaines pièces sont marquées d'une étoile (★) pour indiquer qu'elles sont en plastique chromé.
- * Pour une meilleure prise de la peinture et des autocollants, laver les pièces en plastique avec une solution détergente peu concentrée. Les rincer et les laisser sécher à l'air.
- * Vérifier que chaque pièce s'ajuste bien avant de la coller en place.
- * N'utiliser que de la colle pour polystyrène.
- * Gratter les parties à coller pour enlever le chrome et la peinture.
- * Laisser la peinture bien sécher avant de manipuler les pièces.
- * Toute pièce inutilisée peut être jetée.

DIRECTIVES D'APPLICATION DES AUTOCOLLANTS

1. Découper l'autocollant désiré de la feuille.
2. Tremper l'autocollant dans de l'eau pendant quelques secondes.
3. Placer l'autocollant mouillé sur une serviette en papier.
4. Attendez que l'autocollant puisse être déplacé sur son support en papier.
5. Mettre l'autocollant en position sur le modèle face sur le dessus et faire glisser le support pour l'enlever.
6. Appuyer avec un chiffon doux humide pour éliminer les bulles d'air.
7. La substance laiteuse qui peut apparaître est destinée à améliorer l'adhésion de l'autocollant et devient incolore au séchage. Essuyer pour enlever tout excédent d'adhésif.
8. Ne pas toucher l'autocollant tant qu'il n'est pas bien sec.
9. Laisser l'autocollant sécher pendant 48 heures avant d'appliquer une couche transparente.

REMARQUE: Les autocollants sont compatibles avec les solutions de fixation ou les solvants.

This paint guide is provided to complete this kit as shown on the box.

Ce guide de peintures est fourni pour reproduire le modèle réduit qui apparaît sur la boîte.

Semi Gloss Black	Noir satiné
Yellow	Jaune
Aluminum	Aluminium
Insignia Red	Rouge emblème
Interior Green	Interieur vert
Gloss Green	Vert brillant
Gloss Red	Rouge brillant
Olive Drab	vert olive
Flat Black	Noir mat
Steel	Acier
Silver	Argent
Gunmetal	Bronz
Flesh	Chair
Dark Brown	Brun foncé
Flat White	Blanc mat

If you have any questions or comments, call our hotline at: **(800) 833-3570**
or, please write to:

Revell Inc Consumer Service Department, 1850 Howard Street Unit A, Elk Grove Village, Illinois 60007

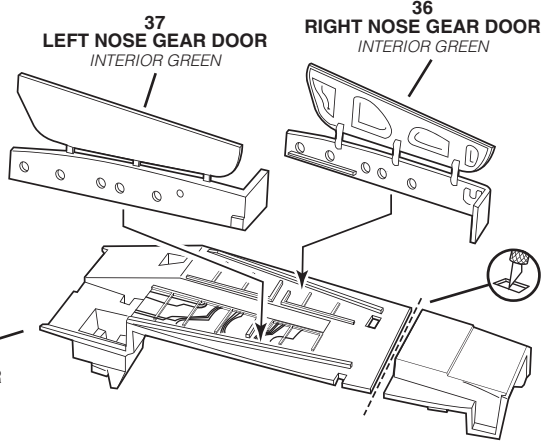
Be sure to include the plan number (85552410200), part number, description, your return address and phone number.

Visit our website: www.revell.com

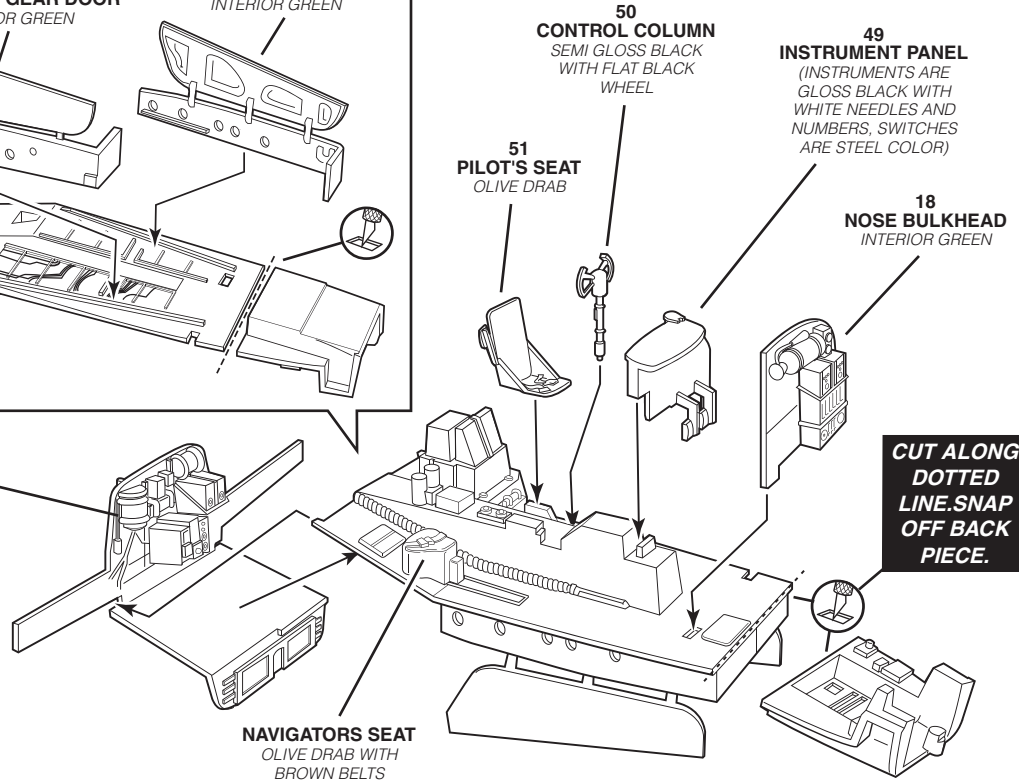
1

COCKPIT ASSEMBLY

DOORS ARE TO FIT ON INSIDE OF LONG RIBS.



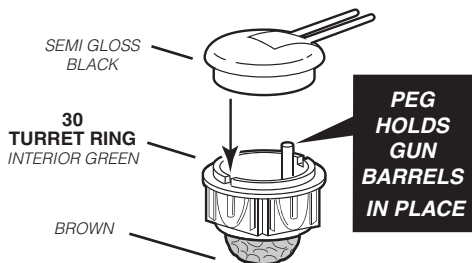
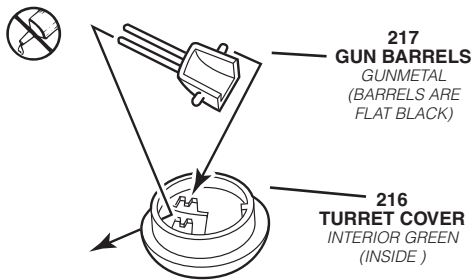
21 FORWARD BULKHEAD
INTERIOR GREEN
FIRST



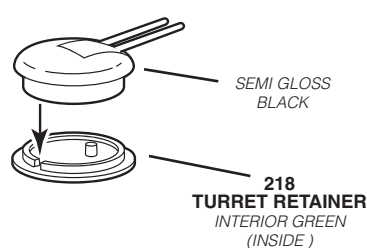
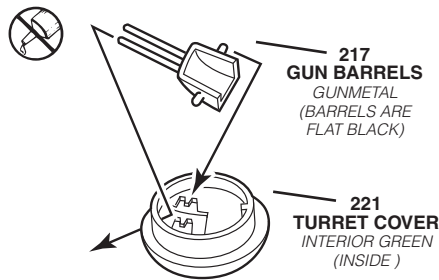
2

TURRET ASSEMBLY

UPPER TURRET FOR MILITARY VERSION



LOWER TURRET FOR MILITARY VERSION

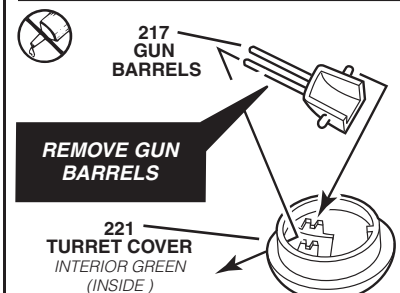


UPPER TURRET FOR AIR TANKER VERSION



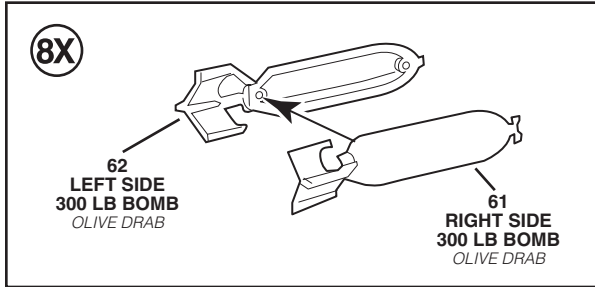
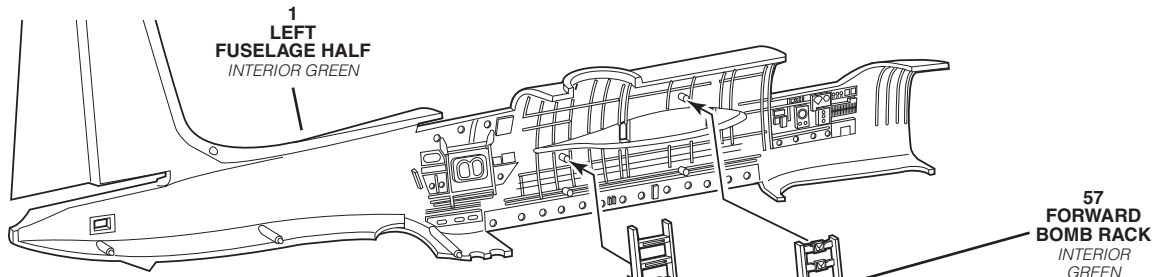
**USE #218 AS COVER FOR
TOP OF UPPER TURRET
(SEE STEP 4)**

LOWER TURRET FOR AIR TANKER VERSION

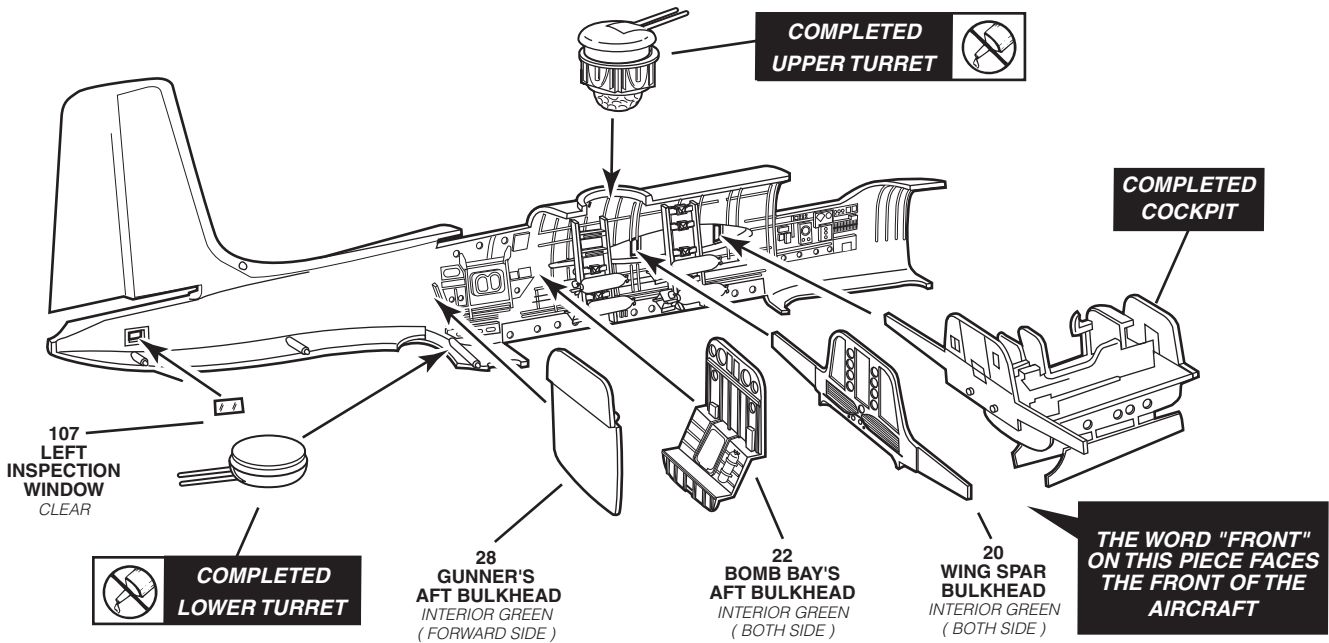
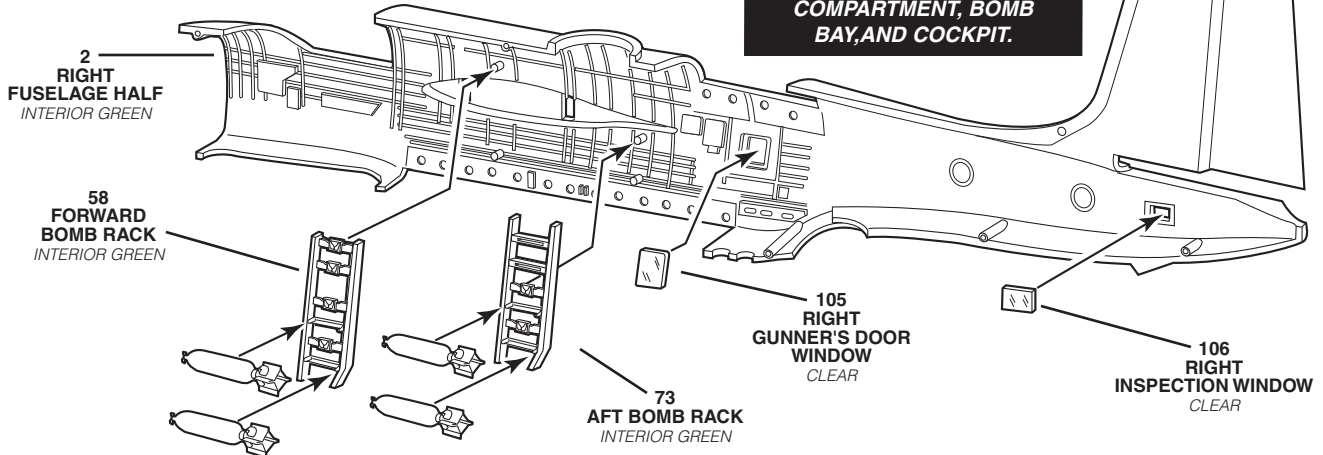


3

FUSELAGE ASSEMBLY

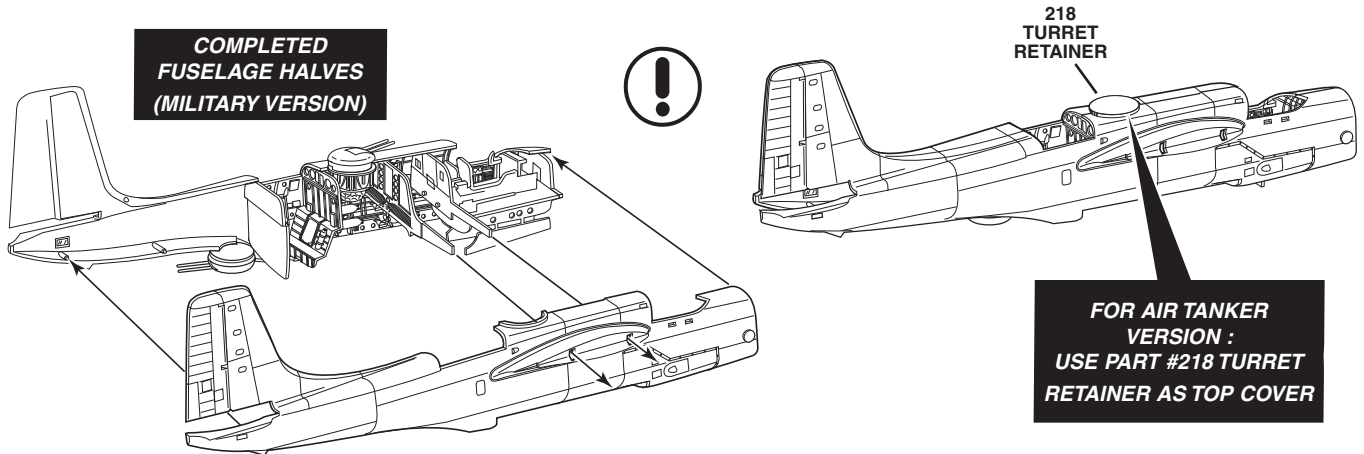


PAINT NOTE:
INTERIOR OF BOTH: INTERIOR GREEN. COVER THE GUNNER'S COMPARTMENT, BOMB BAY, AND COCKPIT.



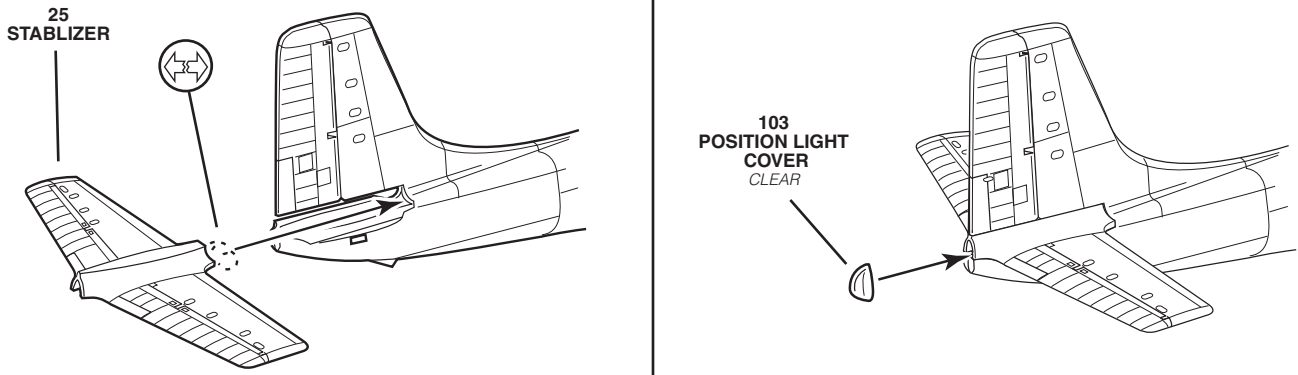
4

FUSELAGE ASSEMBLY CONTINUED



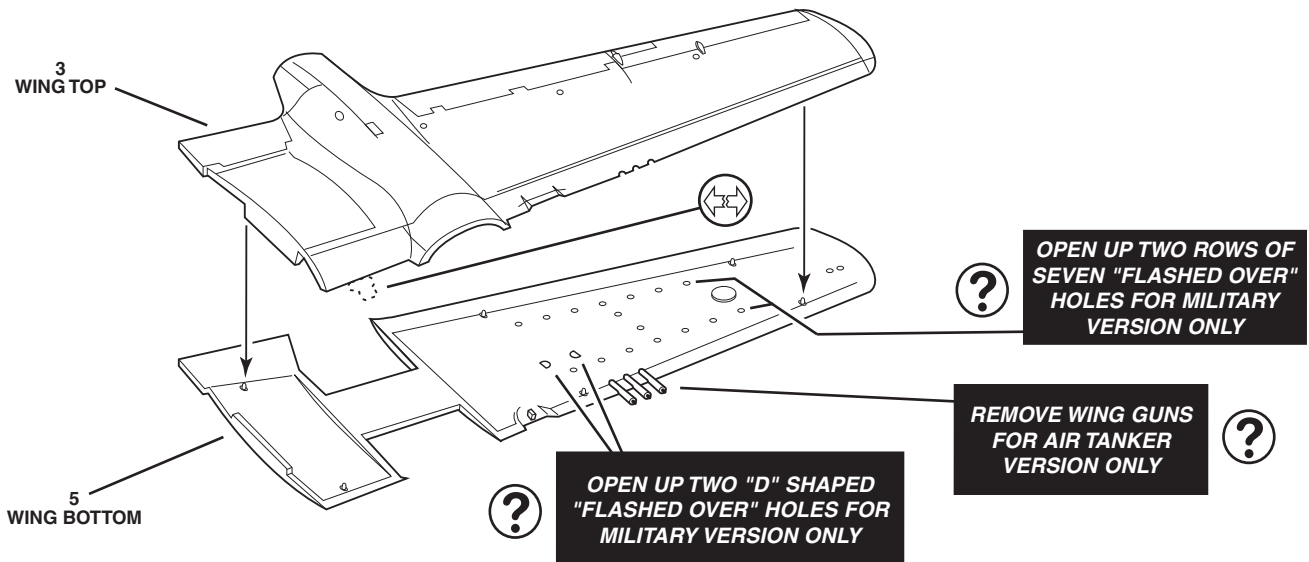
5

STABLIZER ASSEMBLY



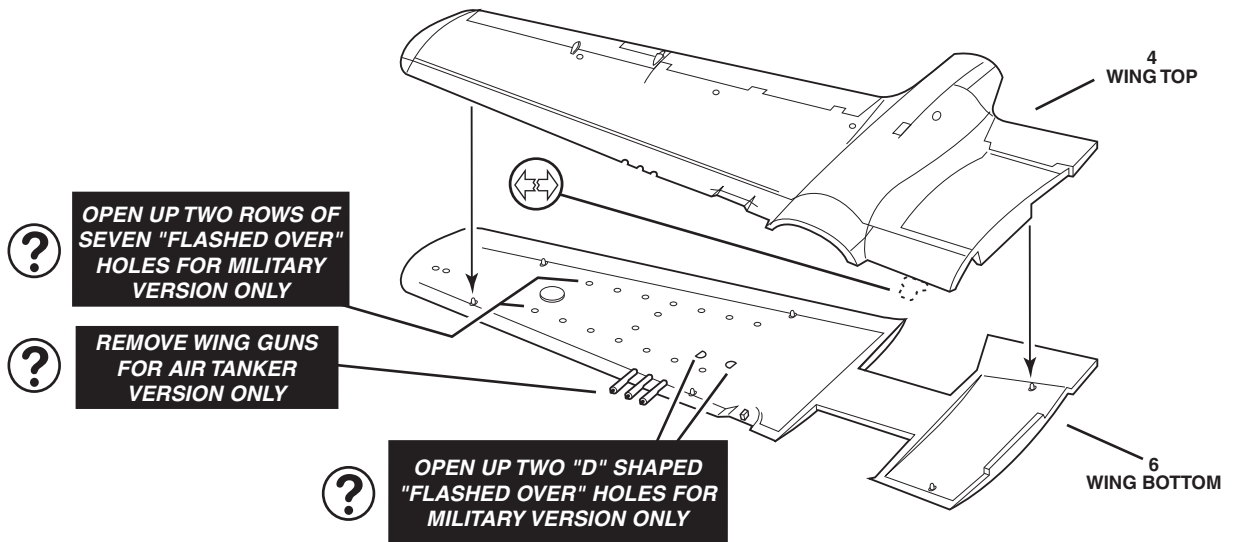
6

LEFT WING ASSEMBLY



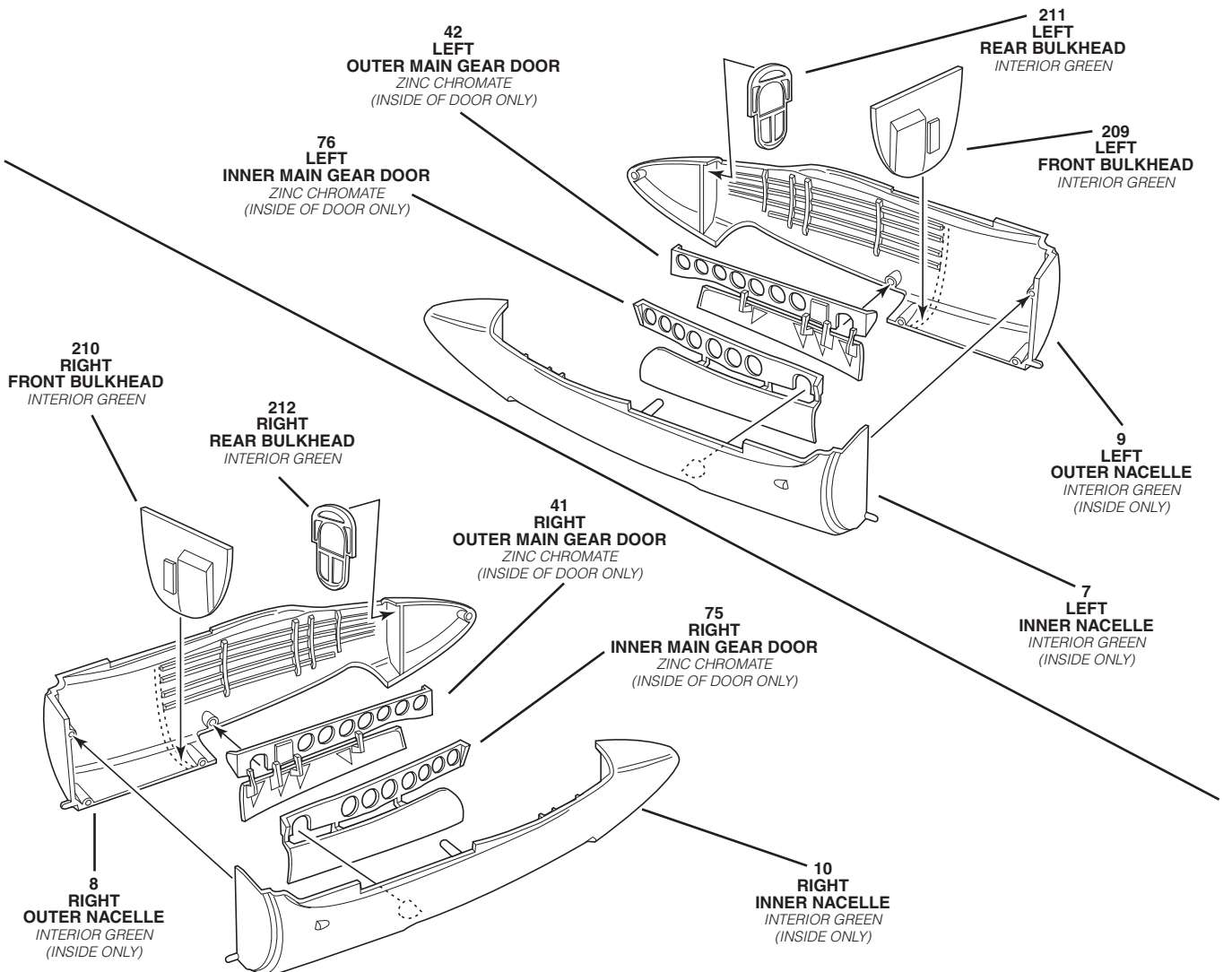
7

RIGHT WING ASSEMBLY



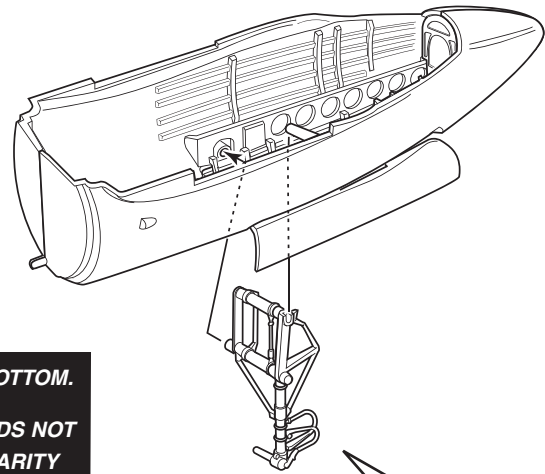
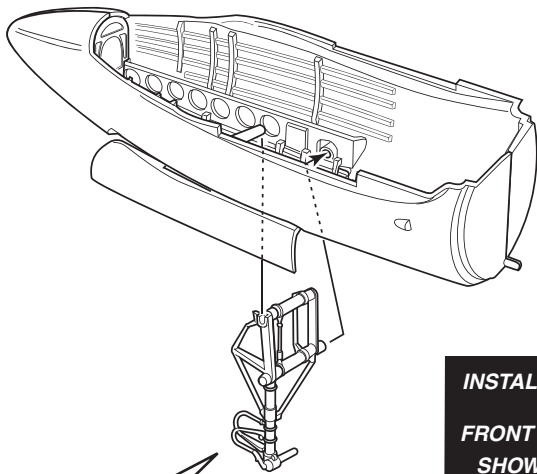
8

NACELLE ASSEMBLY

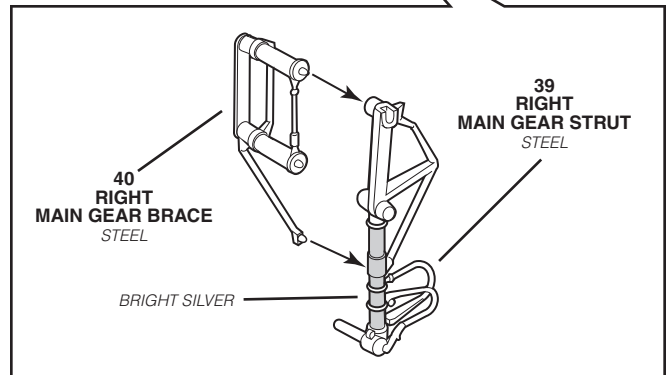
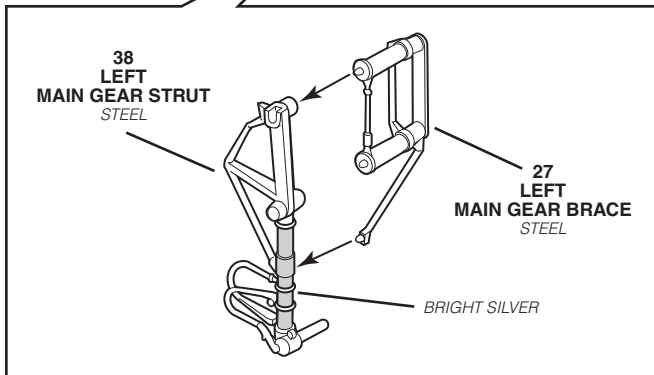


9

NACELLE ASSEMBLY CONTINUED



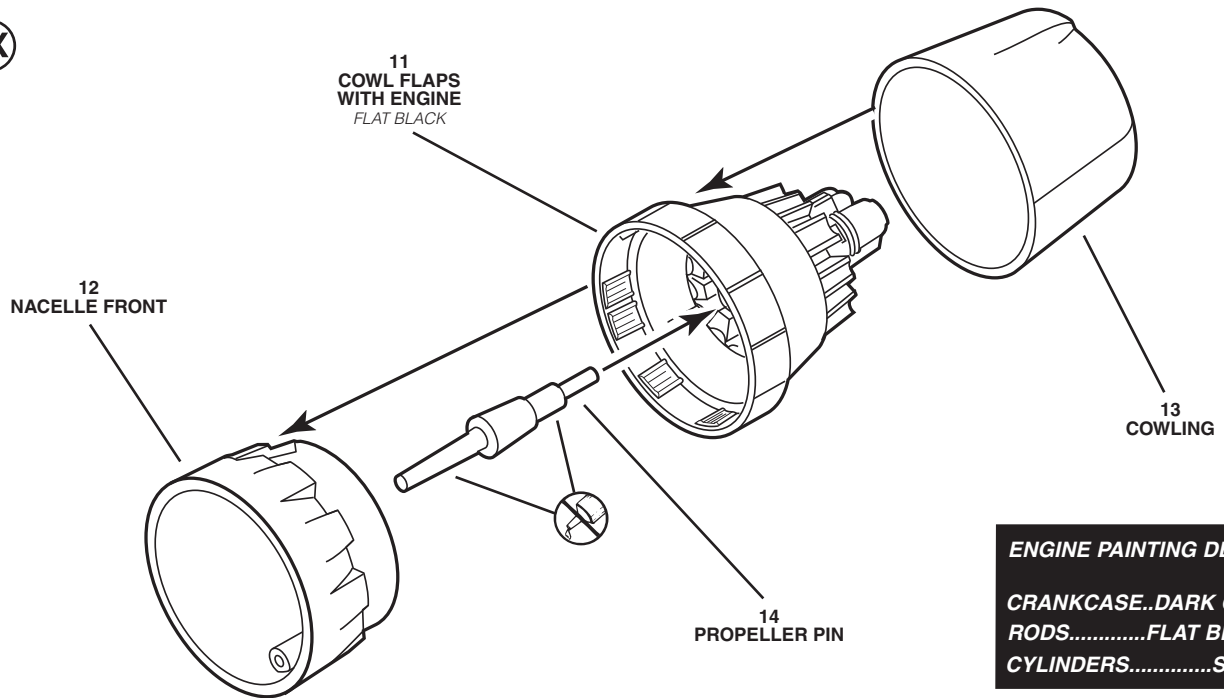
**INSTALL FROM BOTTOM.
FRONT BULKHEADS NOT
SHOWN FOR CLARITY**



10

ENGINE ASSEMBLY

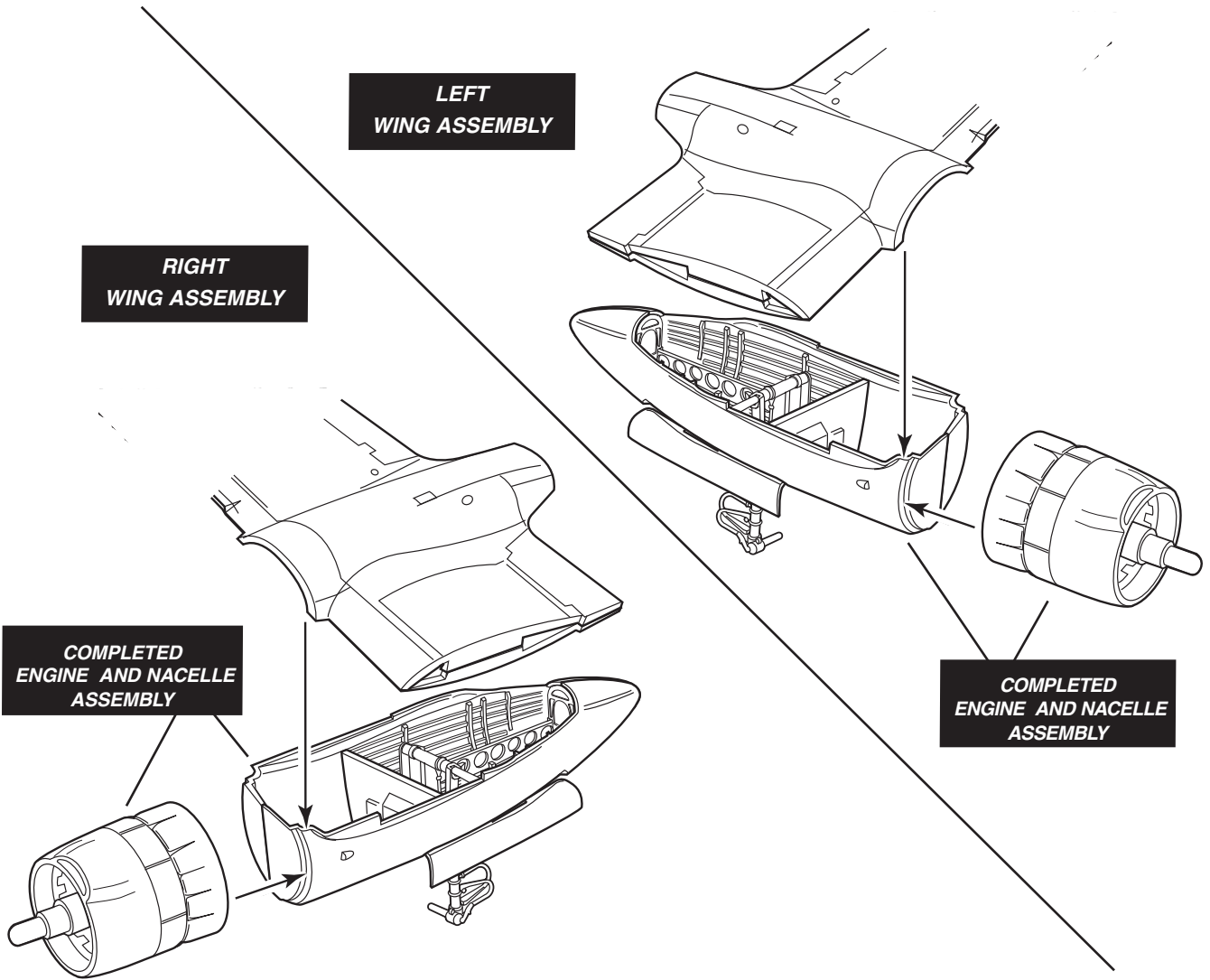
2X



ENGINE PAINTING DETAIL
CRANKCASE.....DARK GRAY
RODS.....FLAT BLACK
CYLINDERS.....STEEL

11

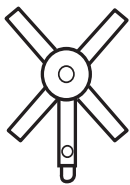
NACELLE / ENGINE / WING ASSEMBLY



12

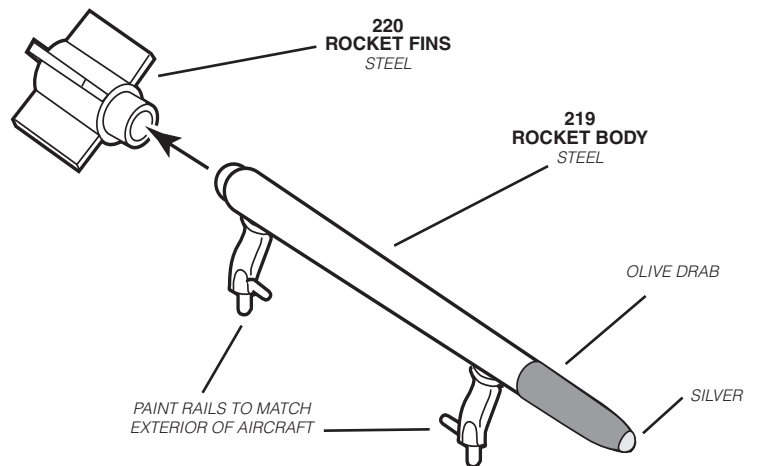
ROCKET ASSEMBLY

FOR MILITARY VERSION ONLY



REAR VIEW

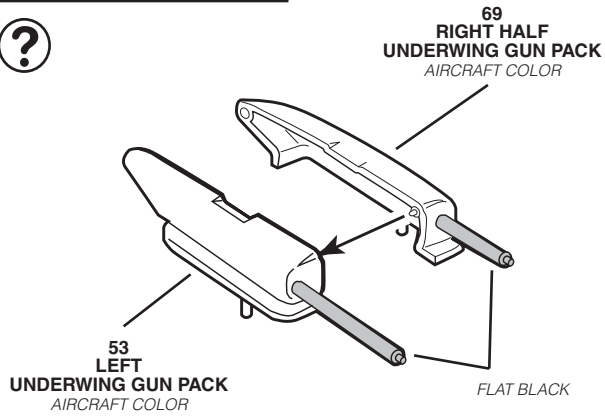
14X



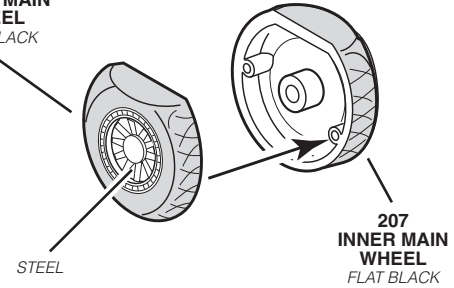
13

LEFT UNDERWING ASSEMBLY

FOR MILITARY VERSION

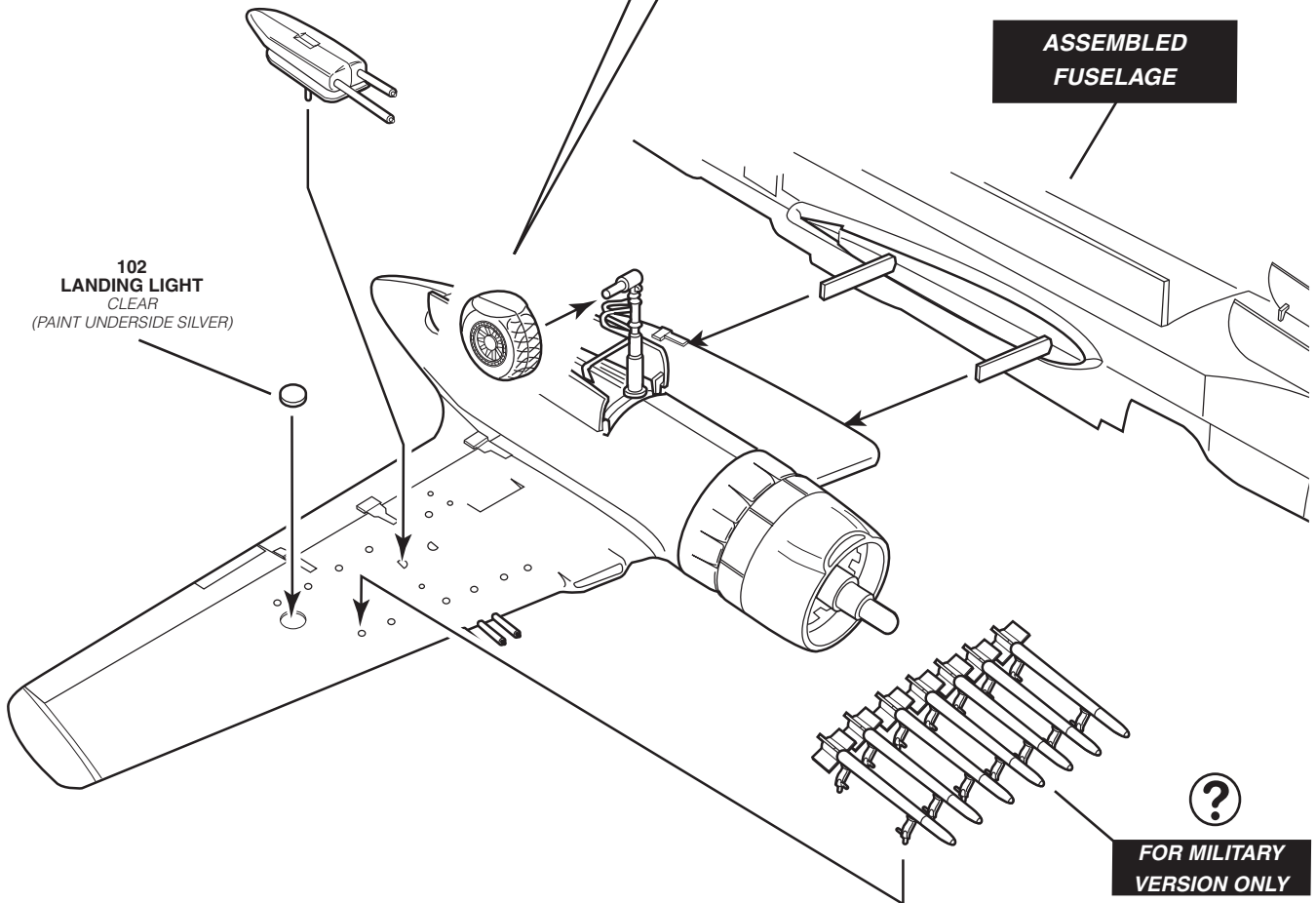


206
OUTER MAIN
WHEEL
FLAT BLACK



ASSEMBLED
FUSELAGE

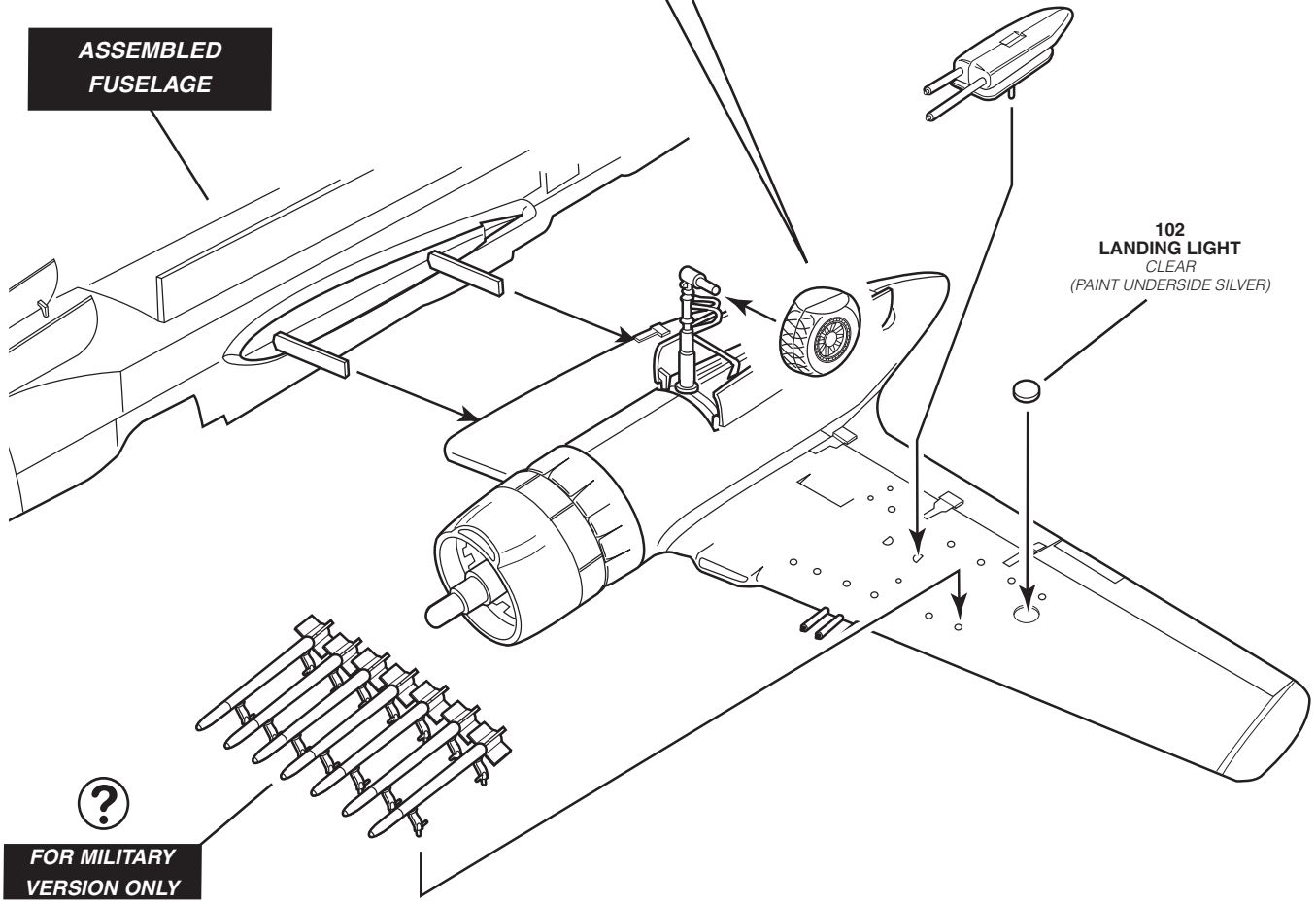
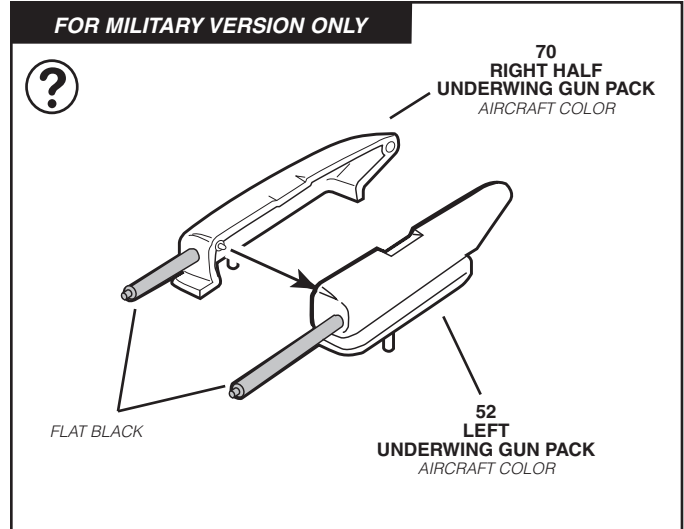
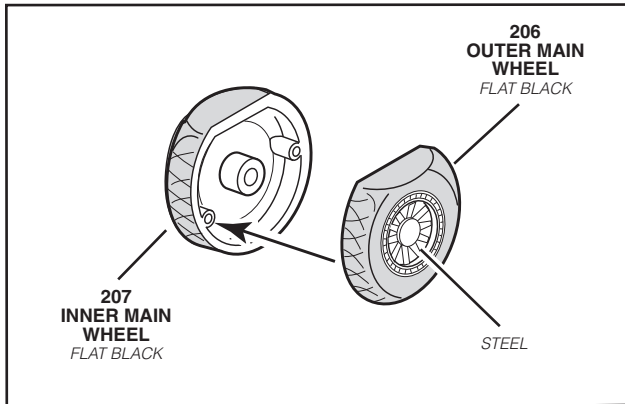
102
LANDING LIGHT
CLEAR
(PAINT UNDERSIDE SILVER)



FOR MILITARY
VERSION ONLY

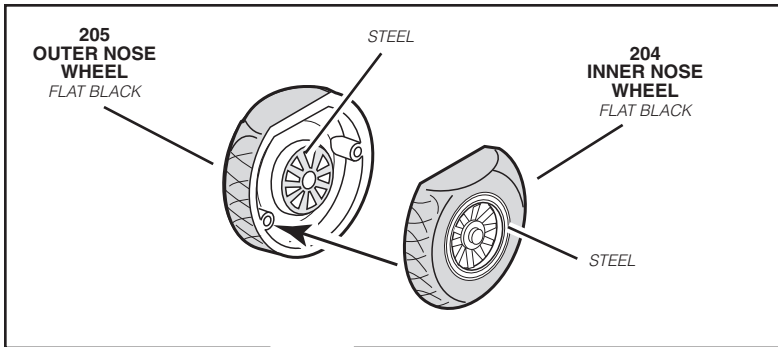
14

RIGHT UNDERWING ASSEMBLY

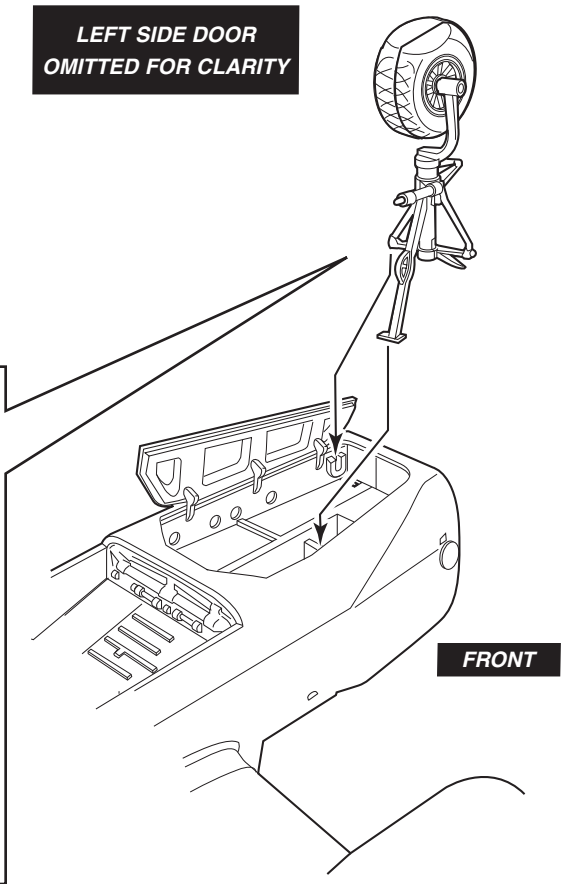
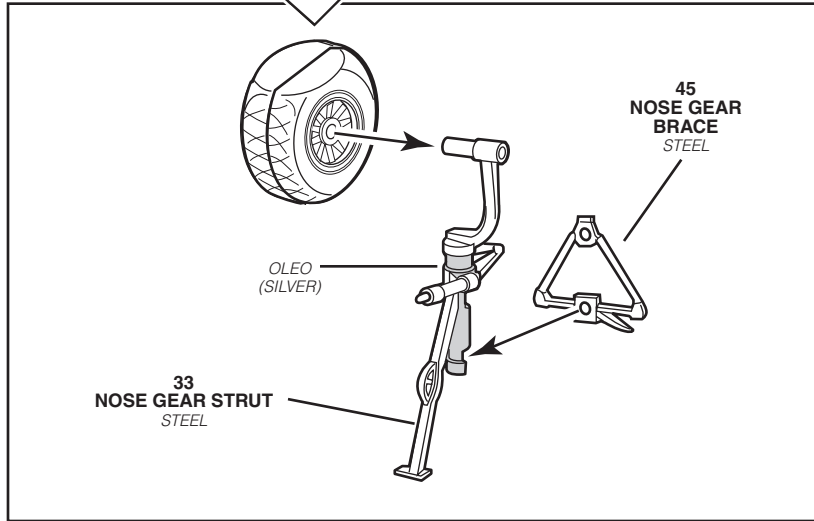


15

NOSE WHEEL ASSEMBLY



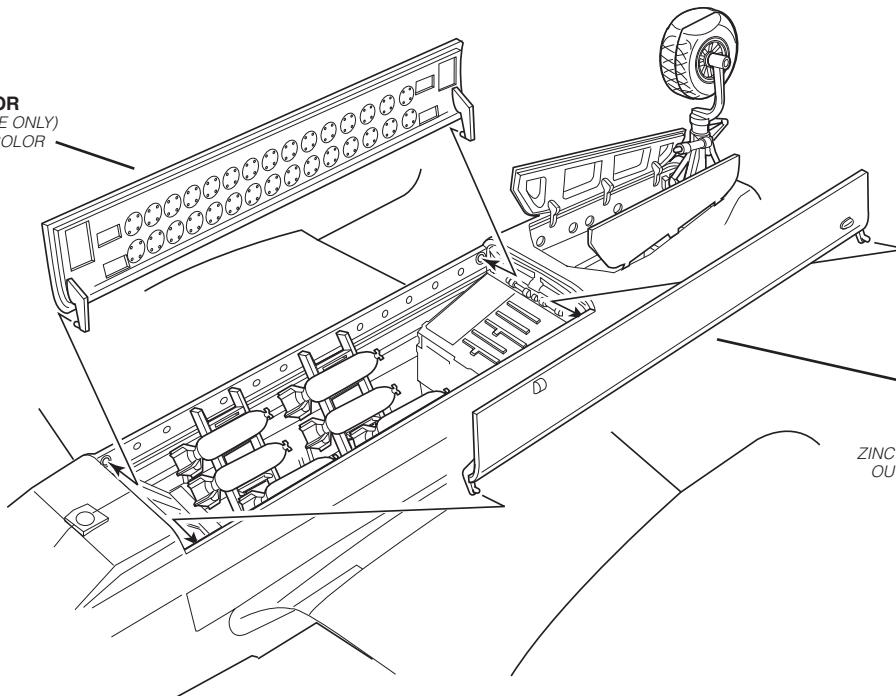
LEFT SIDE DOOR
OMITTED FOR CLARITY



16

BOMB BAY DOOR ASSEMBLY

46
LEFT
BOMB BAY DOOR
ZINC CHROMATE (INSIDE ONLY)
OUTSIDE, AIRCRAFT COLOR



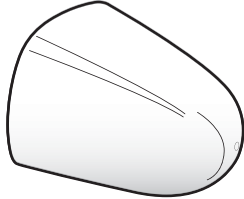
47
RIGHT
BOMB BAY DOOR
ZINC CHROMATE (INSIDE ONLY)
OUTSIDE, AIRCRAFT COLOR

17

NOSE ASSEMBLY

NOTE:

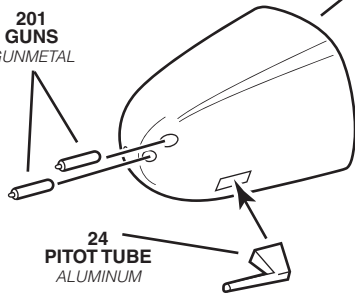
FOR AIR TANKER VERSION FILL-IN GUN HOLES IN #200 NOSE WITH MODELER PUDDY AND SAND SMOOTH



LEFT SIDE (Military Version)

200 NOSE

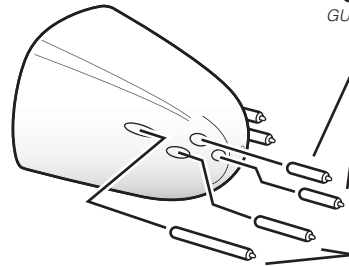
201 GUNS GUNMETAL



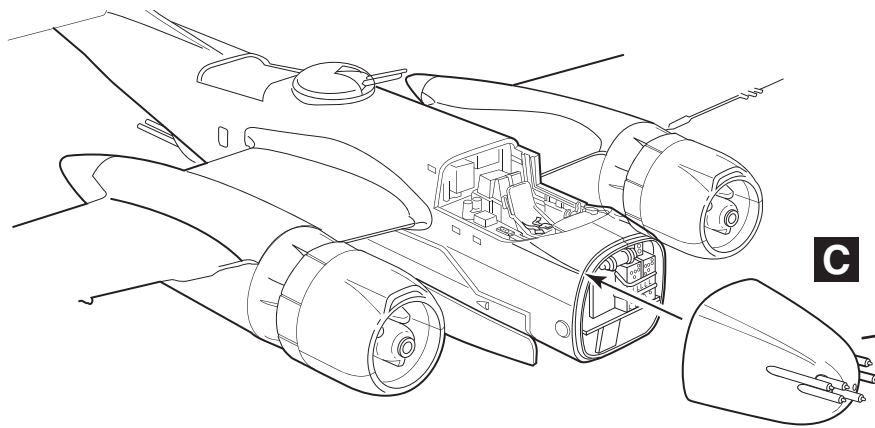
24 PITOT TUBE ALUMINUM

RIGHT SIDE (Military Version)

202 GUNS GUNMETAL



203 GUNS GUNMETAL

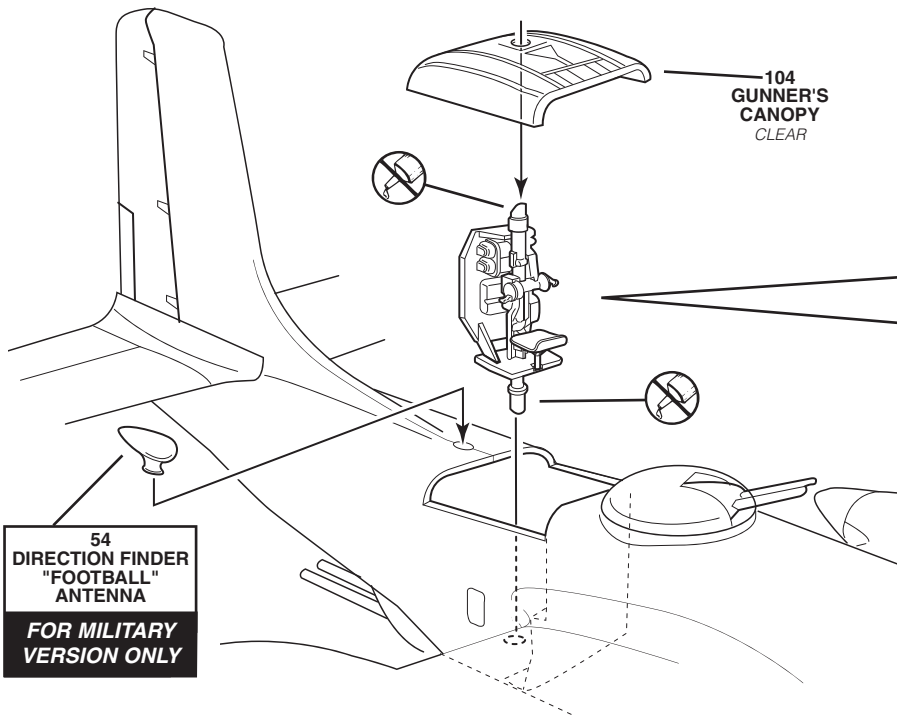


C

NOTE:
ADD WEIGHT INSIDE OF NOSE TO BALANCE MODEL ON LANDING GEAR

18

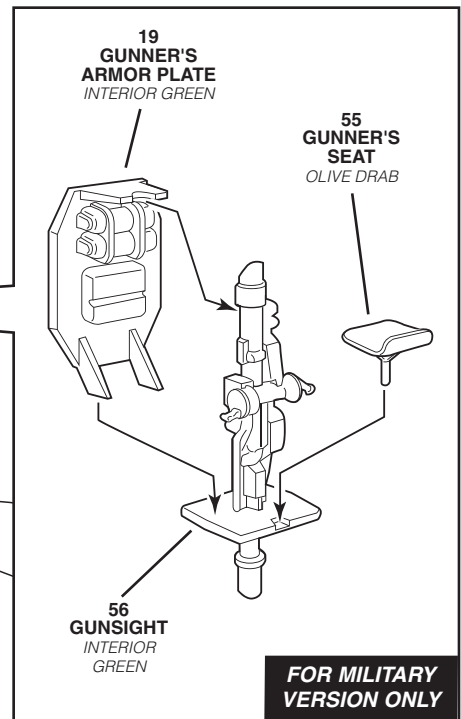
GUNSIGHT ASSEMBLY



104 GUNNER'S CANOPY CLEAR

54 DIRECTION FINDER "FOOTBALL" ANTENNA

FOR MILITARY VERSION ONLY



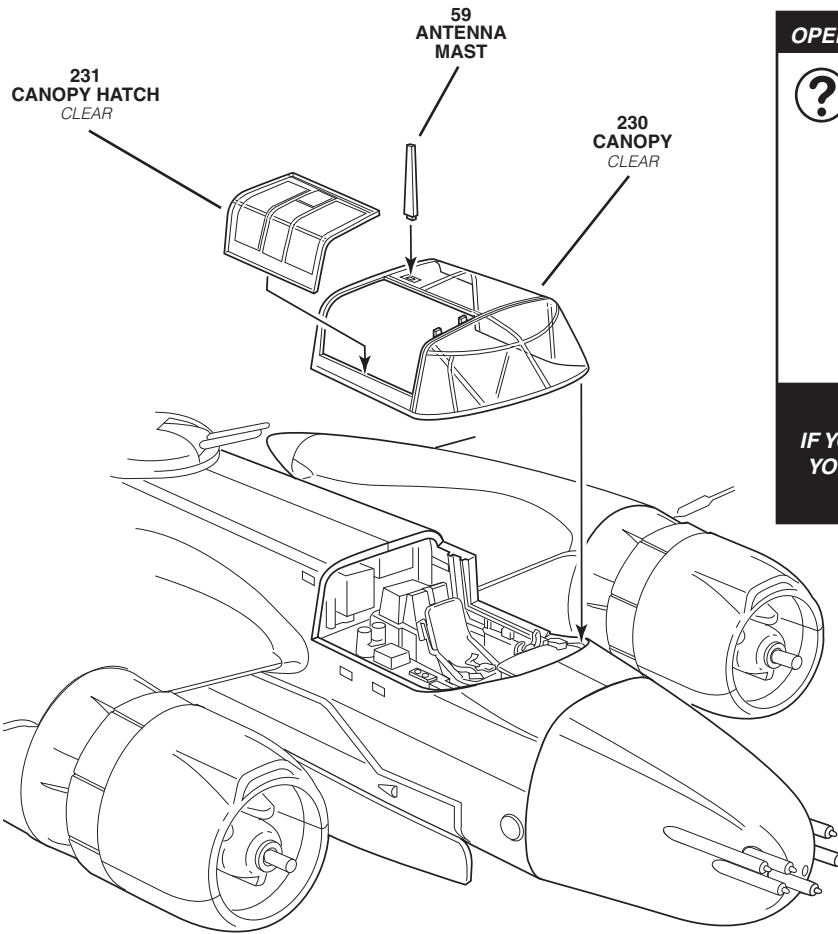
19 GUNNER'S ARMOR PLATE INTERIOR GREEN

55 GUNNER'S SEAT OLIVE DRAB

56 GUNSIGHT INTERIOR GREEN

FOR MILITARY VERSION ONLY

CANOPY ASSEMBLY



OPEN CANOPY

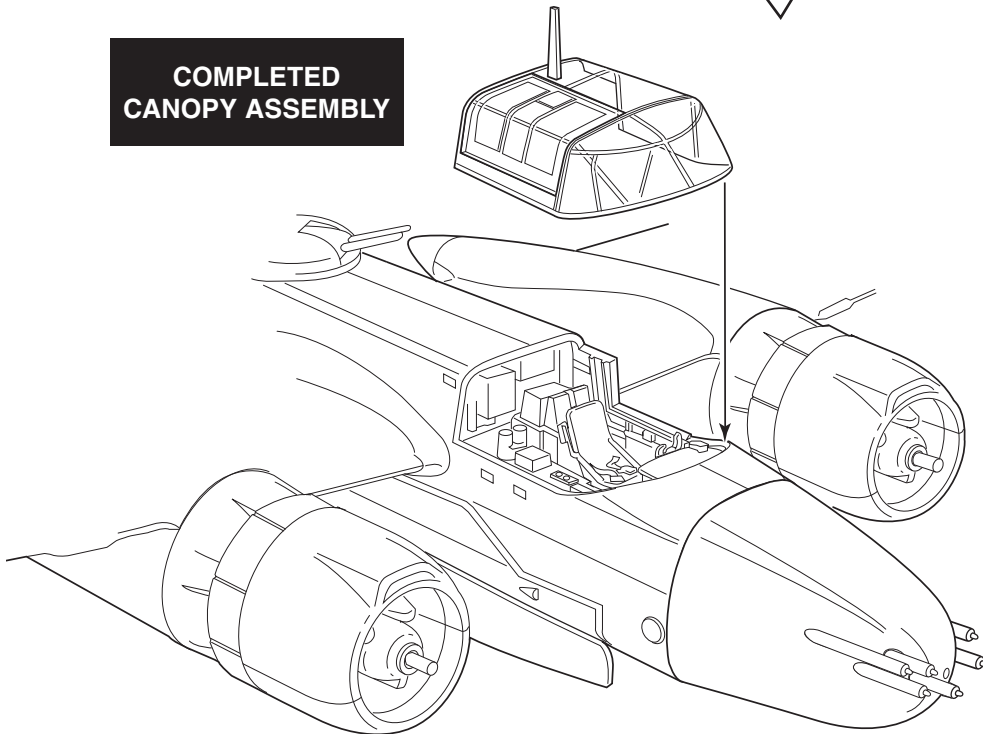
?

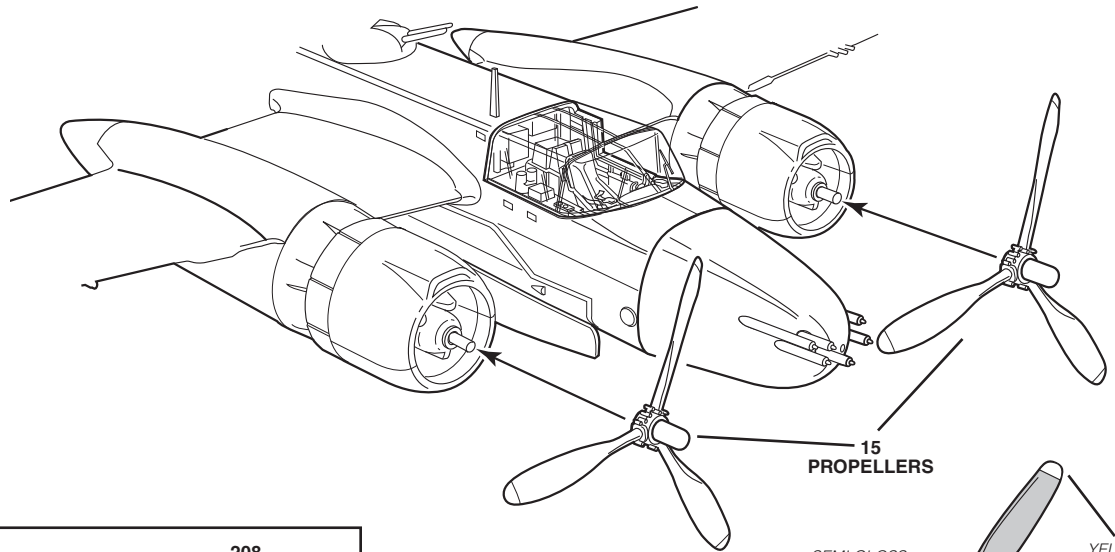
TABS

NOTE:
IF YOU CHOOSE TO HAVE A CLOSED CANOPY,
YOU MUST FIRST REMOVE THE TWO TABS IN
FRONT.

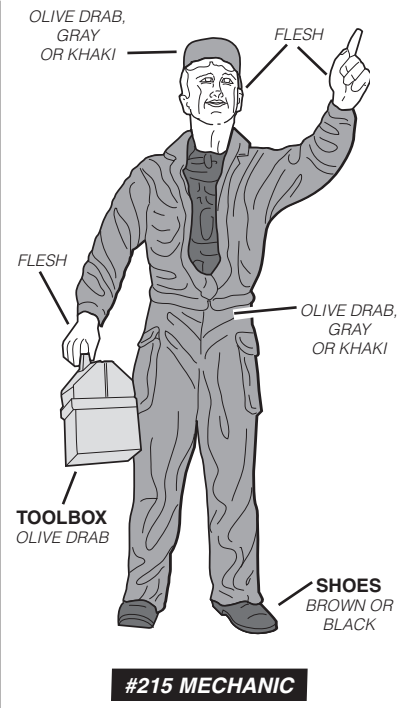
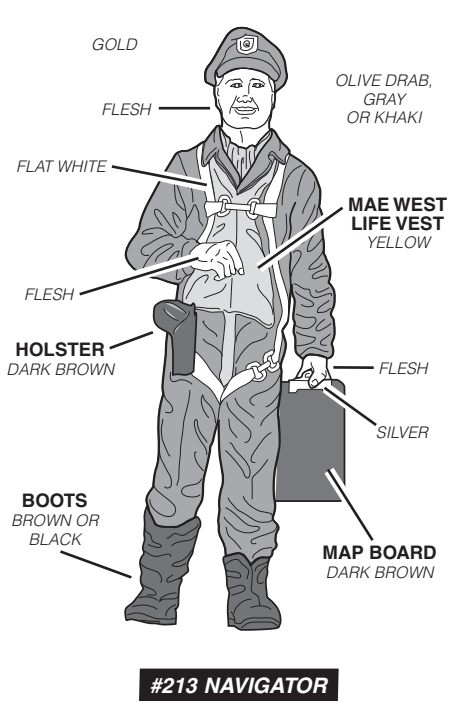
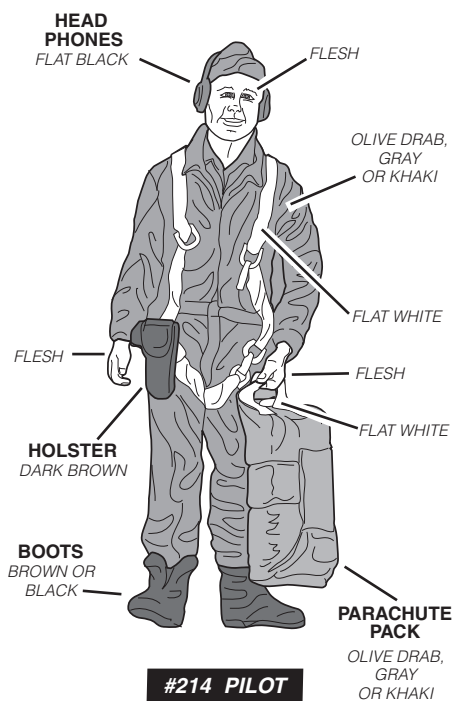
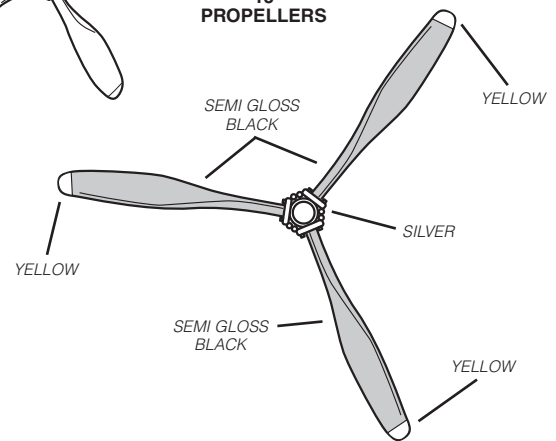
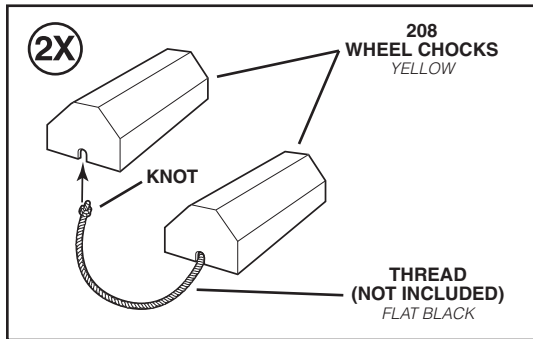
PAINT NOTE:
FRAMEWORK OF CANOPY
IS THE SAME COLOR AS
THE EXTERIOR OF THE
AIRCRAFT

**COMPLETED
CANOPY ASSEMBLY**



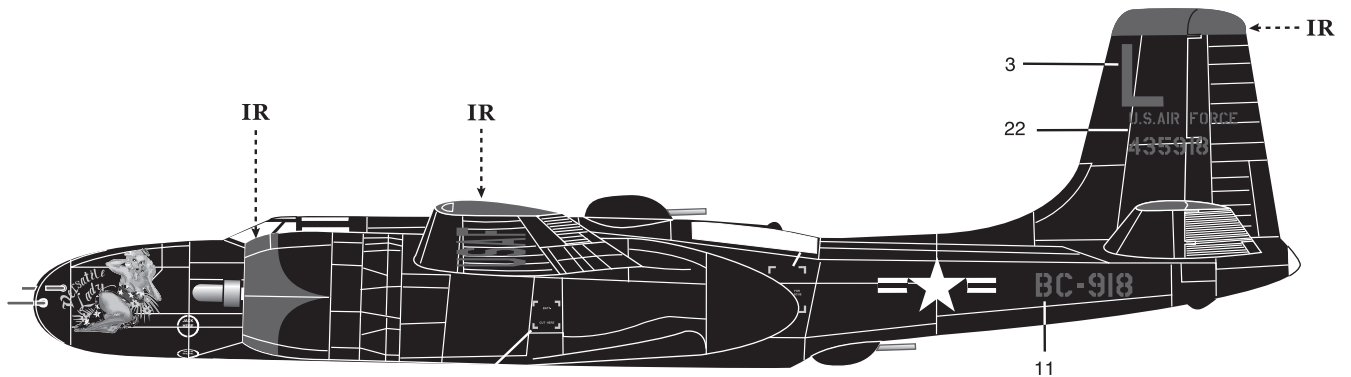
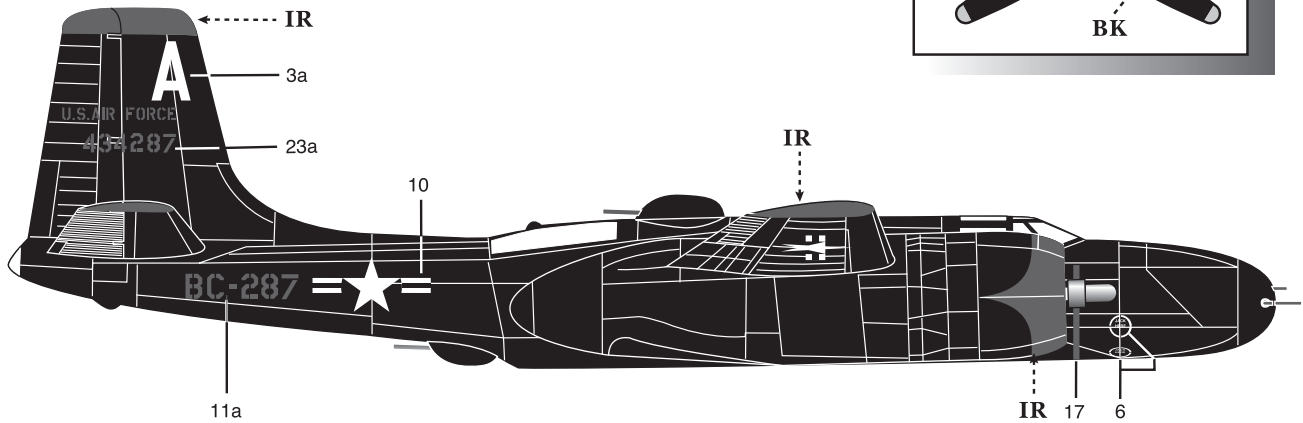
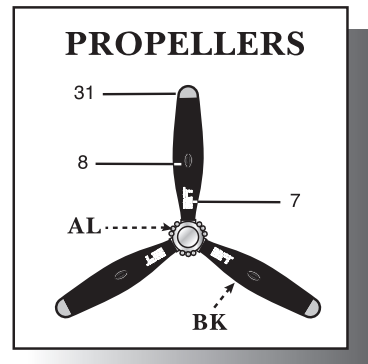
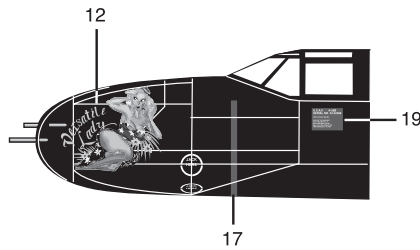
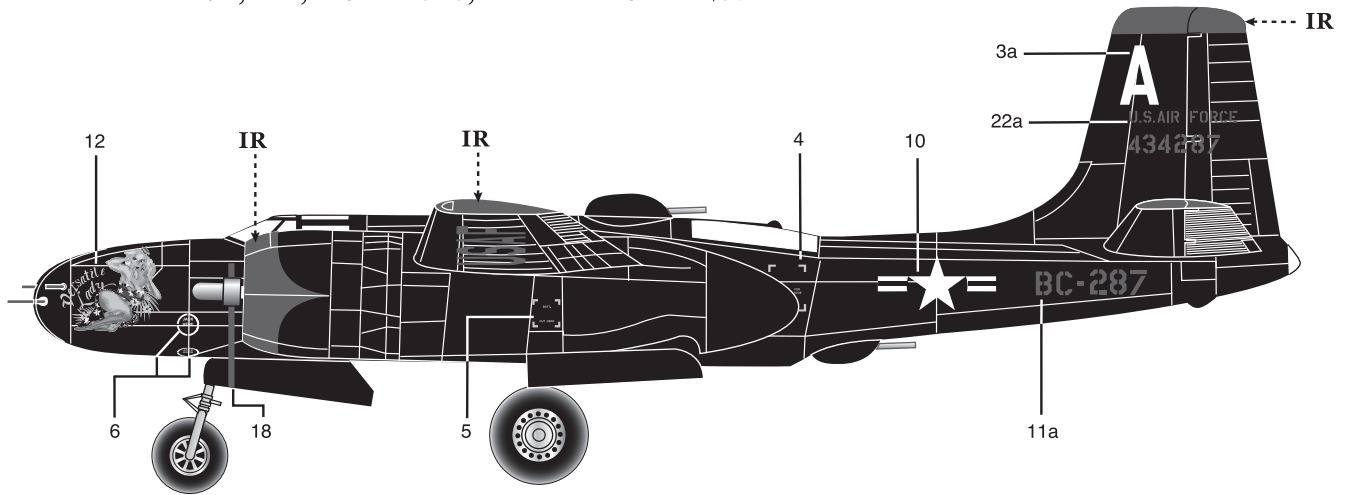


15 PROPELLERS



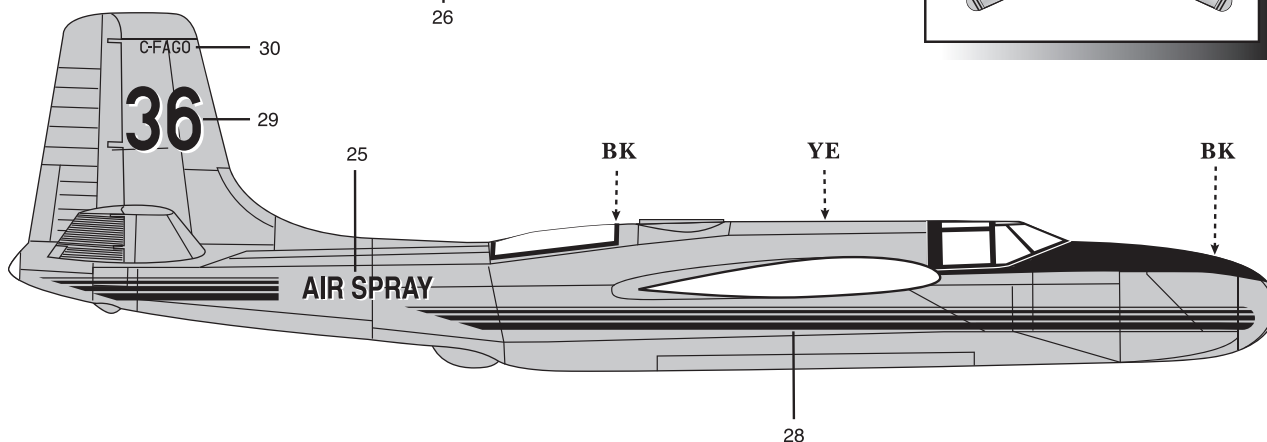
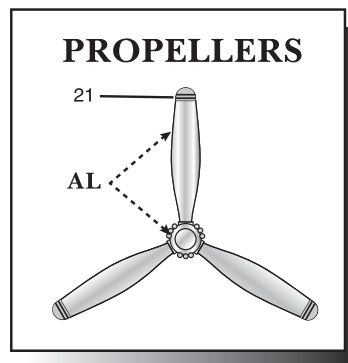
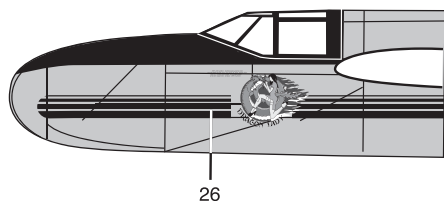
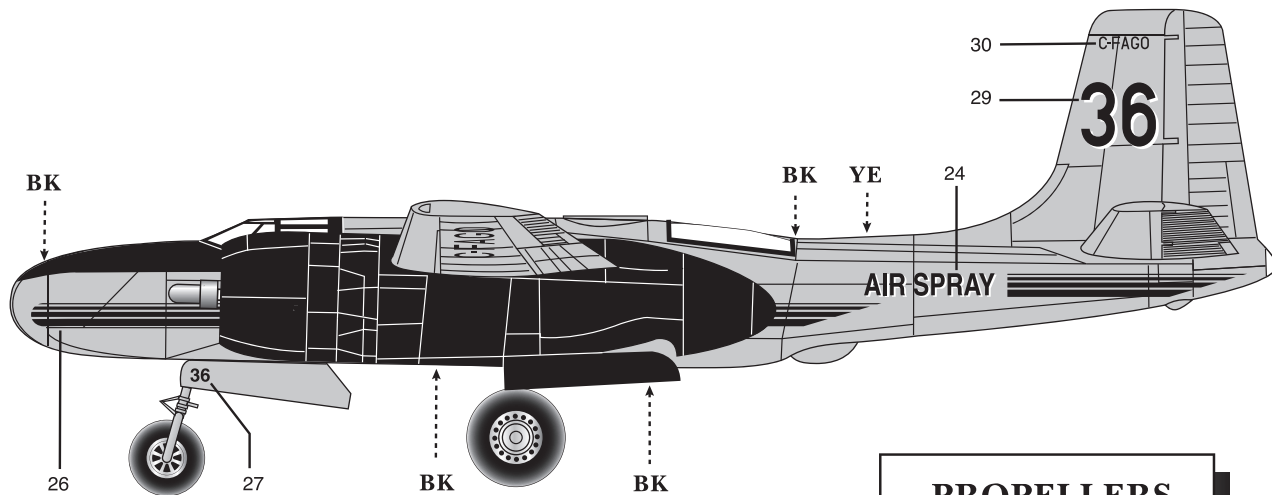
"VERSATILE LADY", A-26B, 44-34287/44-35918

ORIGINALLY DISPLAYED AT USAF HISTORY & TRADITIONS MUSEUM, LACKLAND, TX, AS BC-918, LATER AS BC-287.







"DRAGON LADY", B-26C, 44-35456.

(As seen in 2002 at Red Deer, Alberta, Canada).



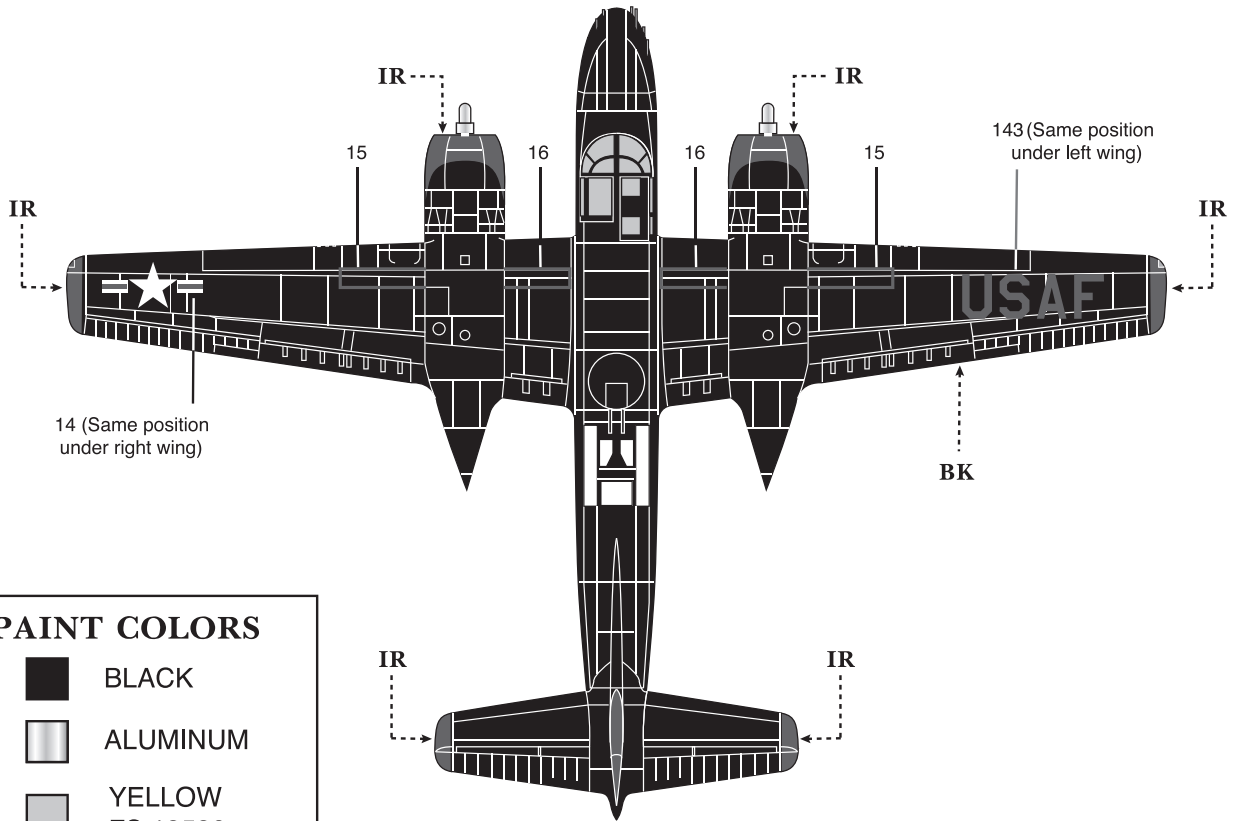
PAINT COLORS

BK		BLACK
AL		ALUMINUM
YE		YELLOW FS 13538
IR		INSIGNIA RED FS 11136

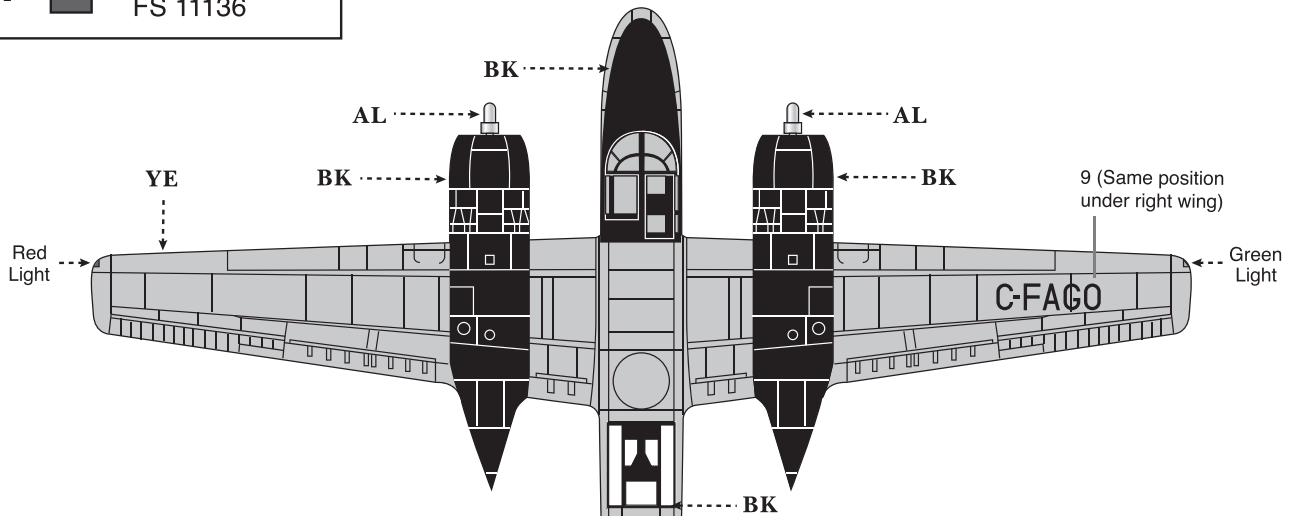
THE INSCRIPTION, BELOW, IS PAINTED ON THE NOSE AND DESCRIBES THE INTERESTING HISTORY OF THIS PLANE...

*1945 12th airforce meditteranean grosetto italy
1951-56 67th tactical recon wing japan & korea "dragon lady"
teagu k-2 airbase korea kimpo k-14 airbase korea
aerial fire suppression airspray 1983 to present*

"VERSATILE LADY"



PAINT COLORS	
BK	BLACK
AL	ALUMINUM
YE	YELLOW FS 13538
IR	INSIGNIA RED FS 11136



"DRAGON LADY"

YE