

1:72 SCALE

Junkers Ju 87D-3 Stuka



EASY ASSEMBLY AUTHENTIC KIT

- 

cyanoacrylate glue
强力胶
- 

weight
配重
- 

make hole
钻孔
- 

cut / remove
切除
- 

option
选择
- 

no cement
不涂胶水
- 

decal
贴纸
- 

bend
弯曲
- 

repair
填补

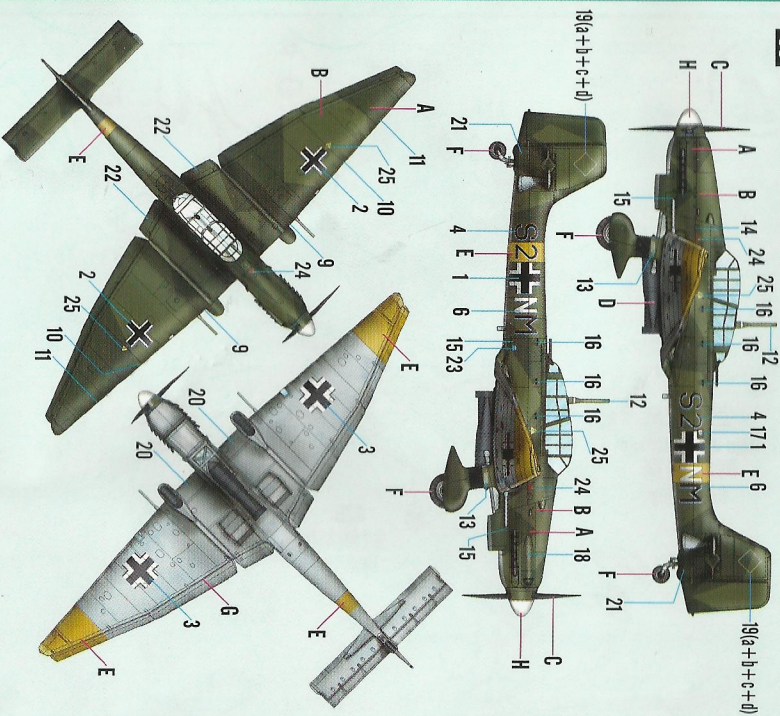
The way to apply the decals

1. Cut off the decal from the decal paper and put it into the warm water 40 C for 10 seconds.
2. Take the decal from the water and put it on a piece of clean cloth.
3. Remove the decal slowly from the paper to the targeted location by a wet finger.
4. Use a piece of dry and soft cloth to press it gently on the decal until it getting dry and no bubble existing.

水贴纸的使用方法:

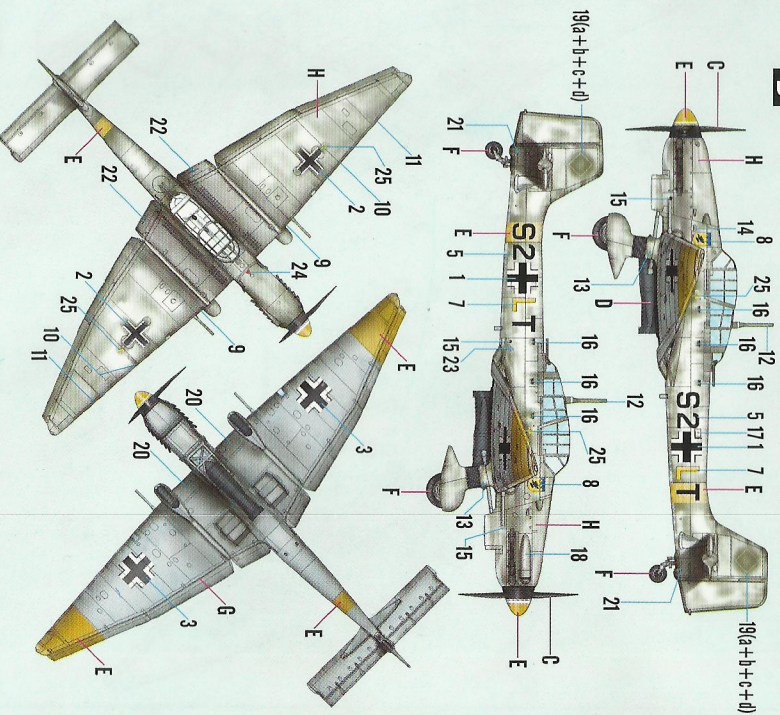
- 一. 把相关的印花从水贴纸纸上剪下, 放入40℃左右的温水中浸10秒。
- 二. 然后将印花放在干净的布上。
- 三. 拿上印花纸, 手指蘸水将印花移到适当的位置。
- 四. 用软干布轻压印花直至水干, 气泡消失。

A Ju 87D-3,4/St.G 77.



	Color	Mr.Hobby	Vallejo	Model Master	Tamiya	Humbrol
A	墨绿色 RLM 70 Dark Green	H[65] 18	897	---	X271	91
B	暗绿色 RLM 71 Dark Green	H[64] 17	---	---	---	---
C	消光黑 Flat Black	H[12] 33	950	7149	X11	33
D	黑铁色 Steel	H[13] 28	864	1402	---	---

B Ju 87D-3,9/St.G 77, Winniza, Ukraine, winter 1943-44.



	Color	Mr.Hobby	Vallejo	Model Master	Tamiya	Humbrol
E	黄色 RLM 04 Yellow	H[11] 113	---	---	A18	---
F	胎黑色 Tire Black	H[77] 197	---	---	---	---
G	浅蓝色 RLM 65 Light Blue	H[67] 115	906	---	X123	65
H	白色 White	H[13] 316	991	1740	X154	140

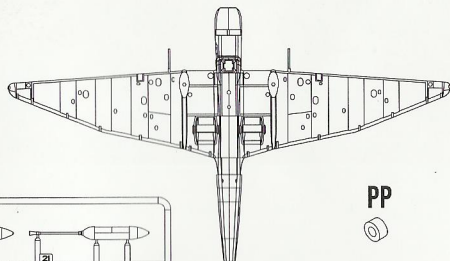
部品图

Parts

《机身》
Fuselage

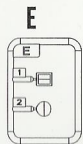
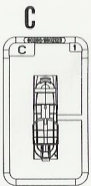


《机翼》 Wing

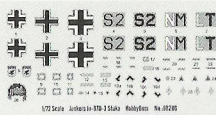


PP

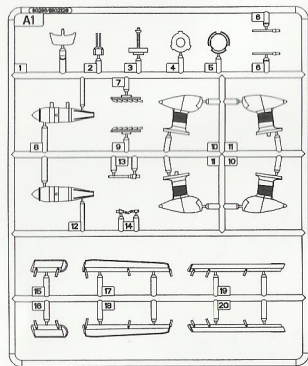
E



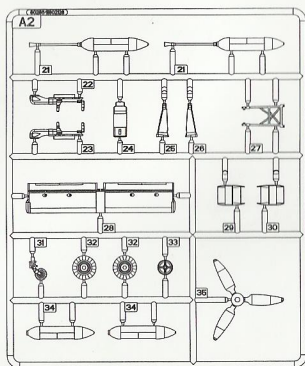
水贴
Decal



A1



A2



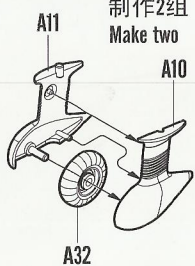
不用部品
Unused Parts

A21 A22 A23 A34

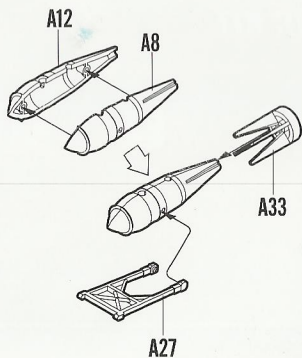
1
STEP

《主起落架》
Main undercarriage

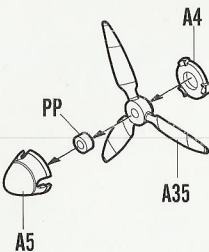
制作2组
Make two



《A》

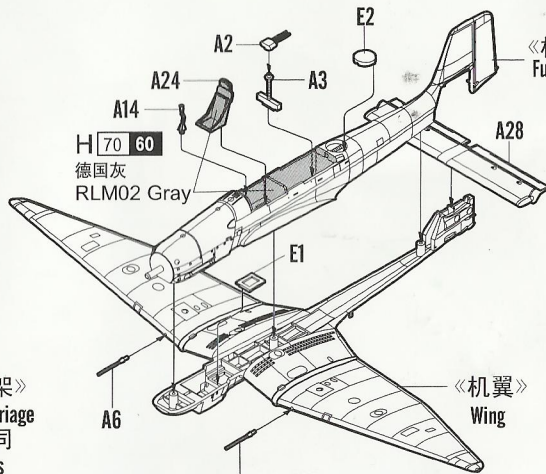


《螺旋桨》
Propeller



2
STEP

《机身》
Fuselage

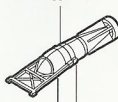


《主起落架》
Main undercarriage
对侧相同
Both sides

A6



<<A>>

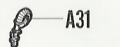


A29
对侧A30
Opposite

A15
对侧A16
Opposite



A31



A25
对侧A26
Opposite



A18
对侧A17
Opposite



A19
对侧A20
Opposite



A1



A7
对侧A9
Opposite



A13



C1



H 70 60
德国灰
RLM02 Gray

《螺旋桨》
Propeller

