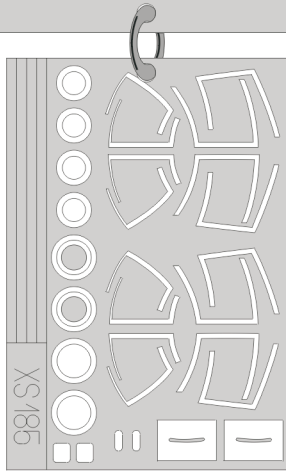


eduard
Express Mask

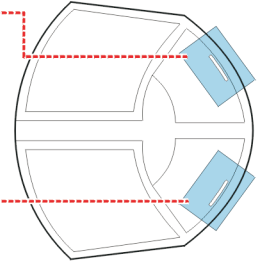
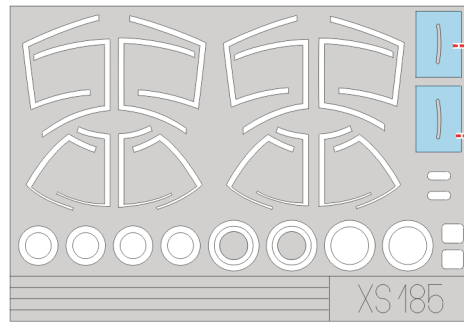
XS 185

S-3 Viking

The die-cut mask for accurate canopy frame painting of the
Hasegawa 1/72 KIT

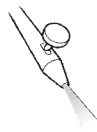


1.)



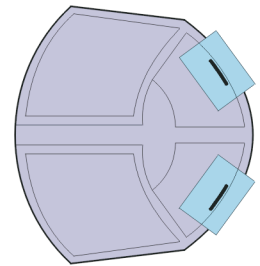
E1

2.)

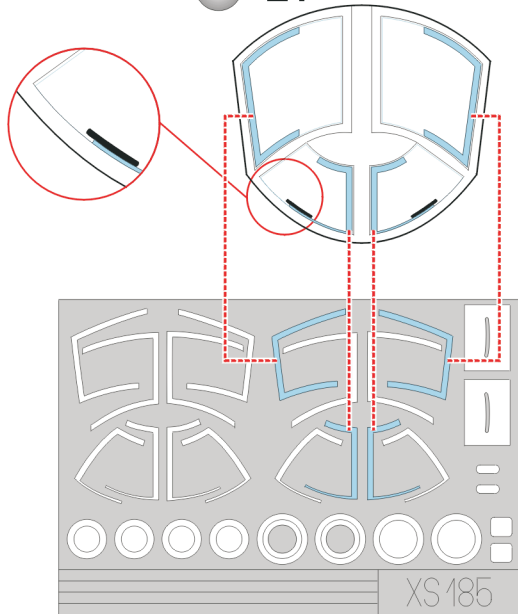


BLACK

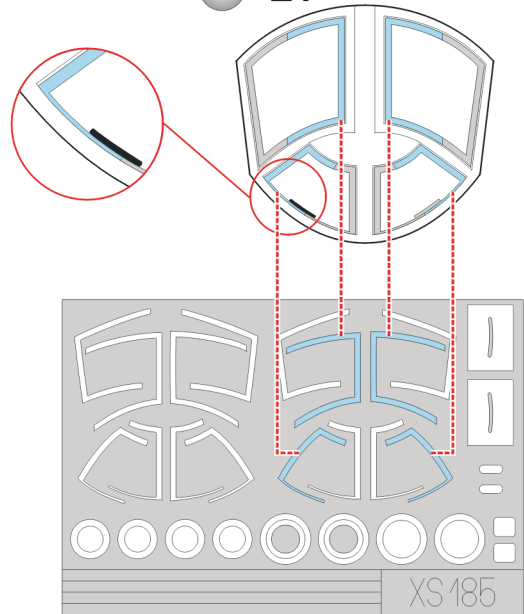
 - MASKING TAPE



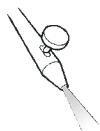
3.) **E1**



4.) **E1**

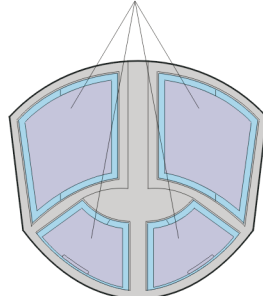


5.)

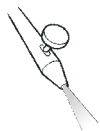


**INTERIOR
COLOR**

**LIQUID
MASK**



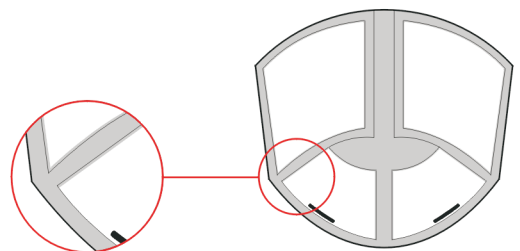
6.)



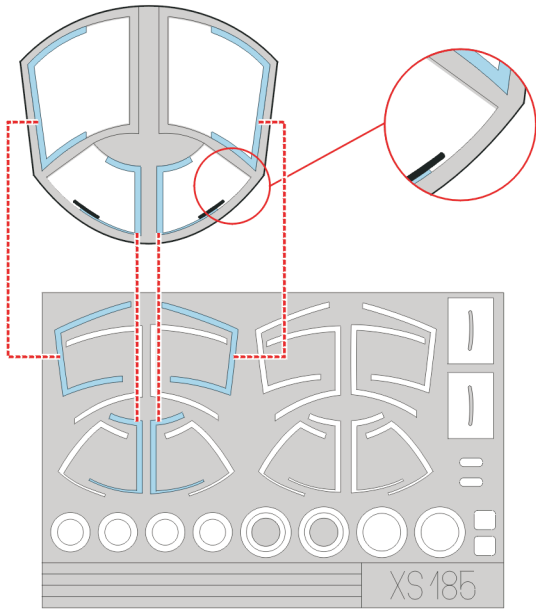
**RUBBER
COLOR**

7.)

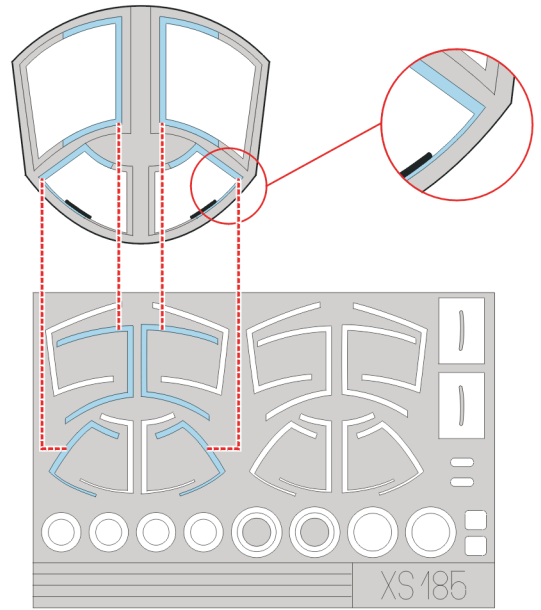
REMOVE MASK



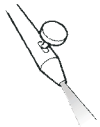
8.) E1



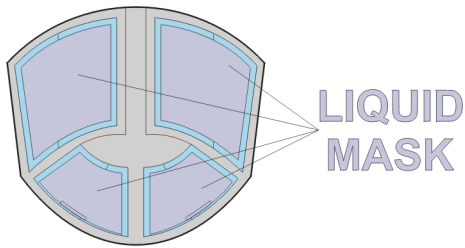
9.) E1



10.)

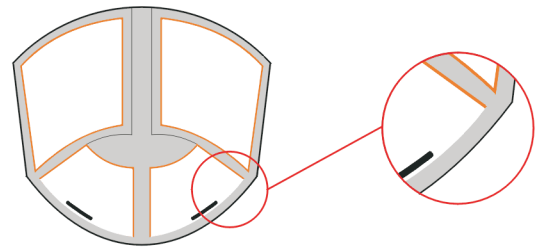


CAMOUFLAGE COLOR

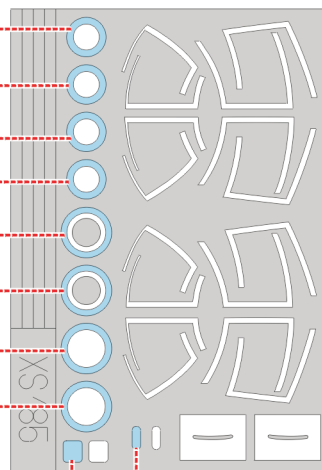
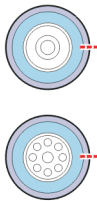


11.)

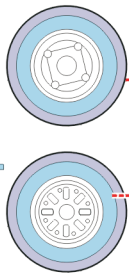
REMOVE MASK



A12
2pcs.

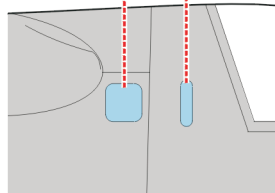


A11
2pcs.

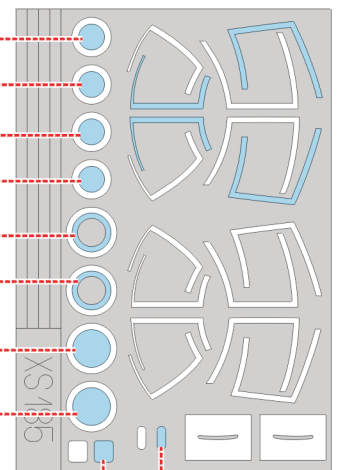
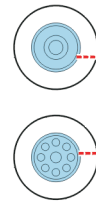


E3 E4

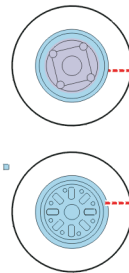
LIQUID MASK



A12
2pcs.



A11
2pcs.



E2 E5

LIQUID MASK

