



## F-84F Thunderstreak USAF

The Republic F-84F Thunderstreak was an American swept-wing turbojet fighter-bomber. While an evolutionary development of the straight-wing F-84 Thunderjet, the F-84F was a new design. The RF-84F Thunderflash was a photo reconnaissance version.

Evolved from the straight-wing F-84, the F-84F prototype first flew in June 1950. Deliveries began in 1954, with most of the aircraft going to the Tactical Air Command as a ground support fighter bomber. Republic built 2,112 F-84Fs while General Motors fabricated 599 more. Of these, 1,301 were delivered to NATO air forces. Production of a reconnaissance version, the RF-84F, totaled 715 aircraft, including 386 for allied countries. To accommodate cameras in the nose, Republic moved the RF-84F's air intakes to the wing roots.

Through the late 1950s, the U.S. Air Force replaced its F-84Fs with supersonic F-100s, and the Thunderstreaks went to Air National Guard units. However, some F-84Fs temporarily returned to USAF service in the early 1960s due to the Berlin crisis.

### CAUTION

- \*Read carefully and fully understand the instructions before commencing assembly.
- \*Keep out of reach of children. Children must not be allowed to put any parts in their mouths, or pull plastic bag over their heads.
- \*When using adhesives and paints, please make sure not to use them in closed room or near the fire.
- \*When assembling this kit, tools including knives are used. Extra care should be taken to avoid injury.

**WARNING: CONTAIN SMALL PARTS NOT FOR CHILDREN UNDER 14 YEARS OF AGE.**



Drill



Remove



2 Set



Bend



Optional



Decal



Super Glue



Fill Hole



No Cement



Be Careful

### TOOLS RECOMMENDED

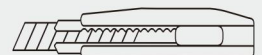
Cement



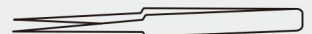
Side Cutter

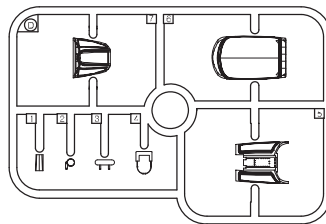
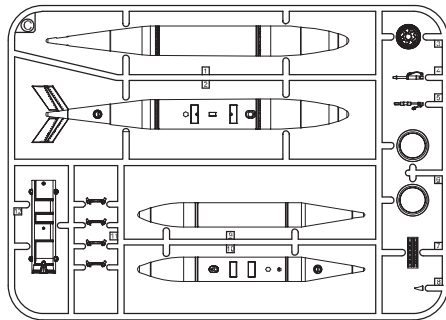
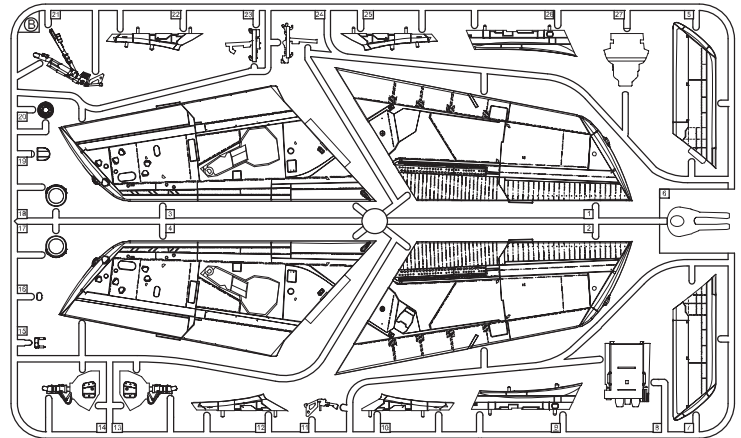
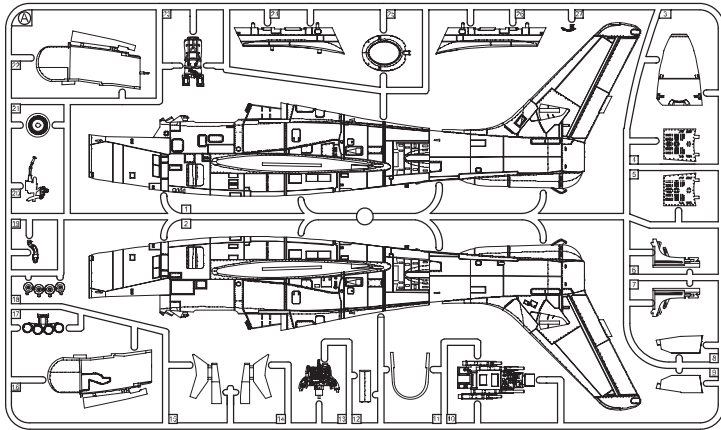


Modeling Knife



Tweezers





## AFTERMARKET SERVICES CARD

When requesting replacement parts, please take or send this form to your local dealer so that the parts required can be correctly identified. Please note that specifications and availability are subject to change without notice. Or visit <http://www.kineticmodel.com> for latest information. For more information, please contact [services@kineticmodel.com](mailto:services@kineticmodel.com)

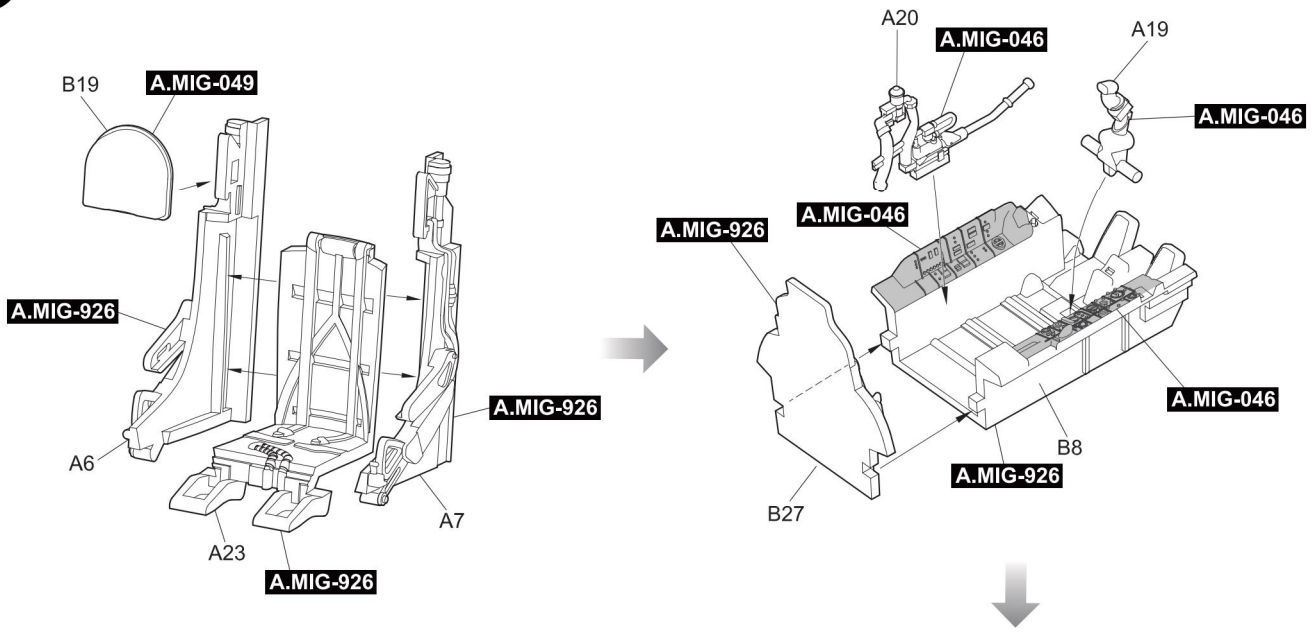
Part Code	K48068	Qty	Item
00-098-001	1/48 F-84F FUSELAGE	1	A
00-098-002	1/48 F-84F WINGS	1	B
00-098-003	1/48 F-84F TANKS AND WHEEL	2	C
00-098-004	1/48 F-84F CANOPY CLEAR PARTS	1	D
01-098-48113	1/48 F-84F USAF DECAL	1	Decal
03-098-48113	1/48 F-84F USAF MANUAL	1	MANUAL



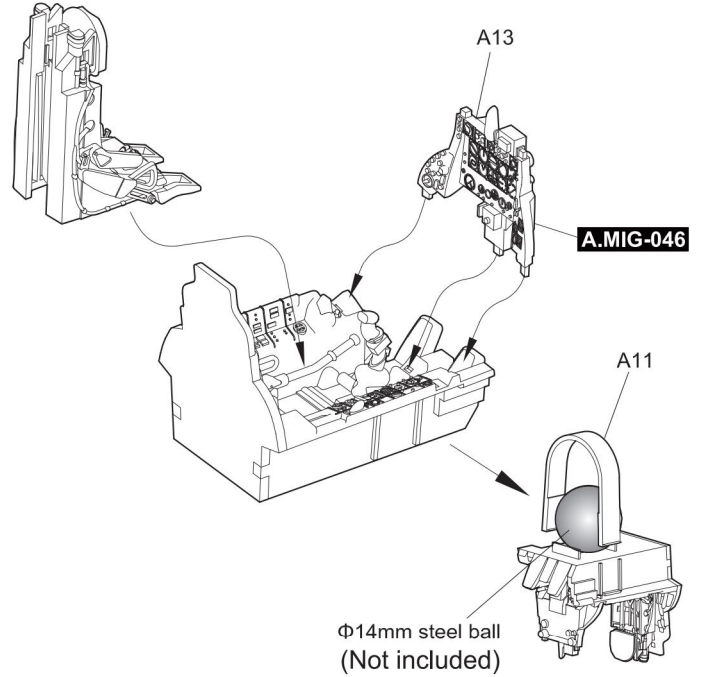
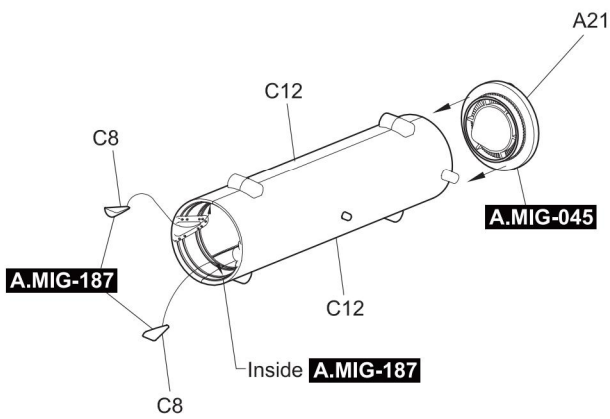
COLOR	AMMO MIG	VALLEJO MODEL COLOR	GSI CREOS MR. COLOR	TAMIYA ENAMEL/ACRYLIC	HUMBROL
SATIN BLACK	A.MIG-032	70.861	2	X-1	85
GUN METAL	A.MIG-045	71.072	-	X-10	53
MATT BLACK	A.MIG-046	71.057	33	XF-1	33
RED	A.MIG-049	70.909	3	XF-7	153
GREY FS36251	A.MIG-059	71.050	-	-	-
NATO GREEN	A.MIG-084	71.093	54	XF-67	-
YELLOW OLIVE	A.MIG-087	70.877	-	-	-
BURNT IRON	A.MIG-187	71.073	61	XF-84	-
SILVER	A.MIG-195	71.063	8	X-11	11
SILVER GRAY	A.MIG-212	71.119	332	-	-
MARINE BLUE	A.MIG-123	71.004	365	XF-8	81
GREY HIGH LIGHT	A.MIG-910	71.277	25	XF-54	-
OLIVE DRAB BASE	A.MIG-926	71.286	304	-	-
AIRFARME ALUMINIUM	A.MIG-8215	77.707	SM06	LP48	-

For Color Profile, please go to [www.kineticmodel.com](http://www.kineticmodel.com) for download (type the kit# and go for manual/painting guide)

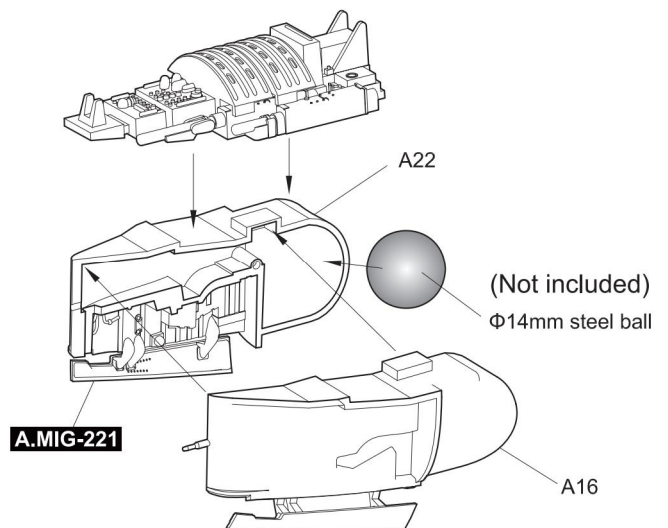
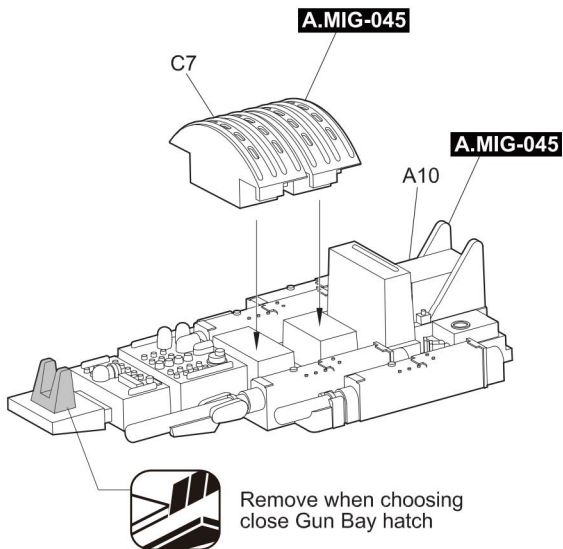
1



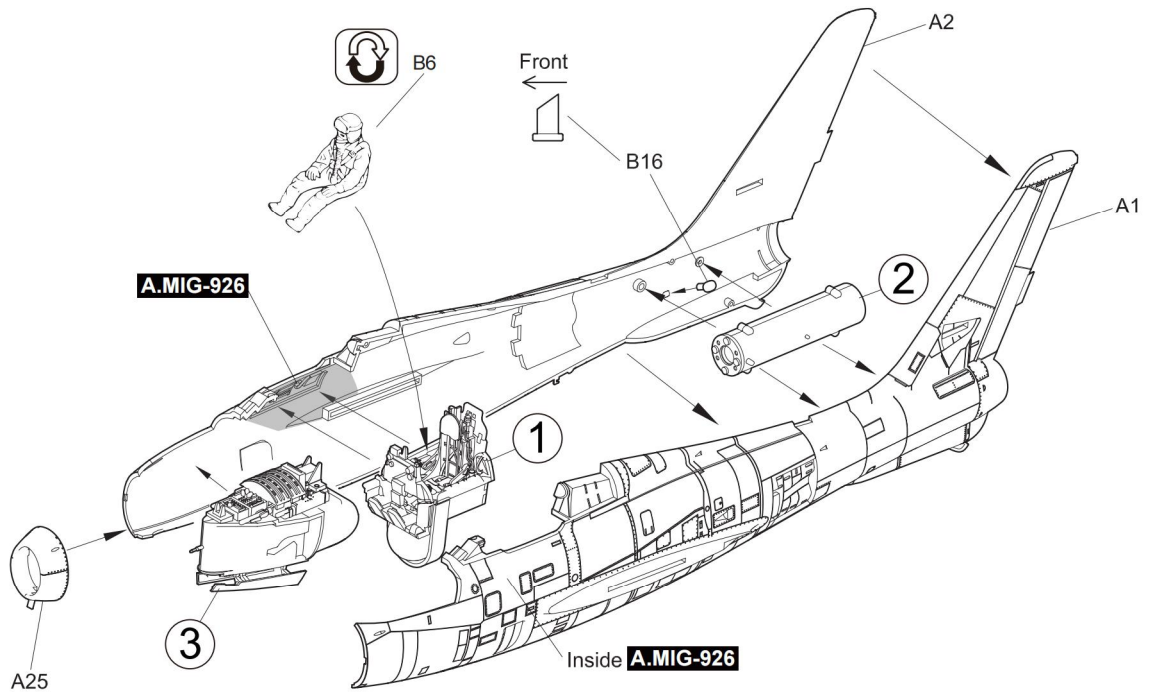
2



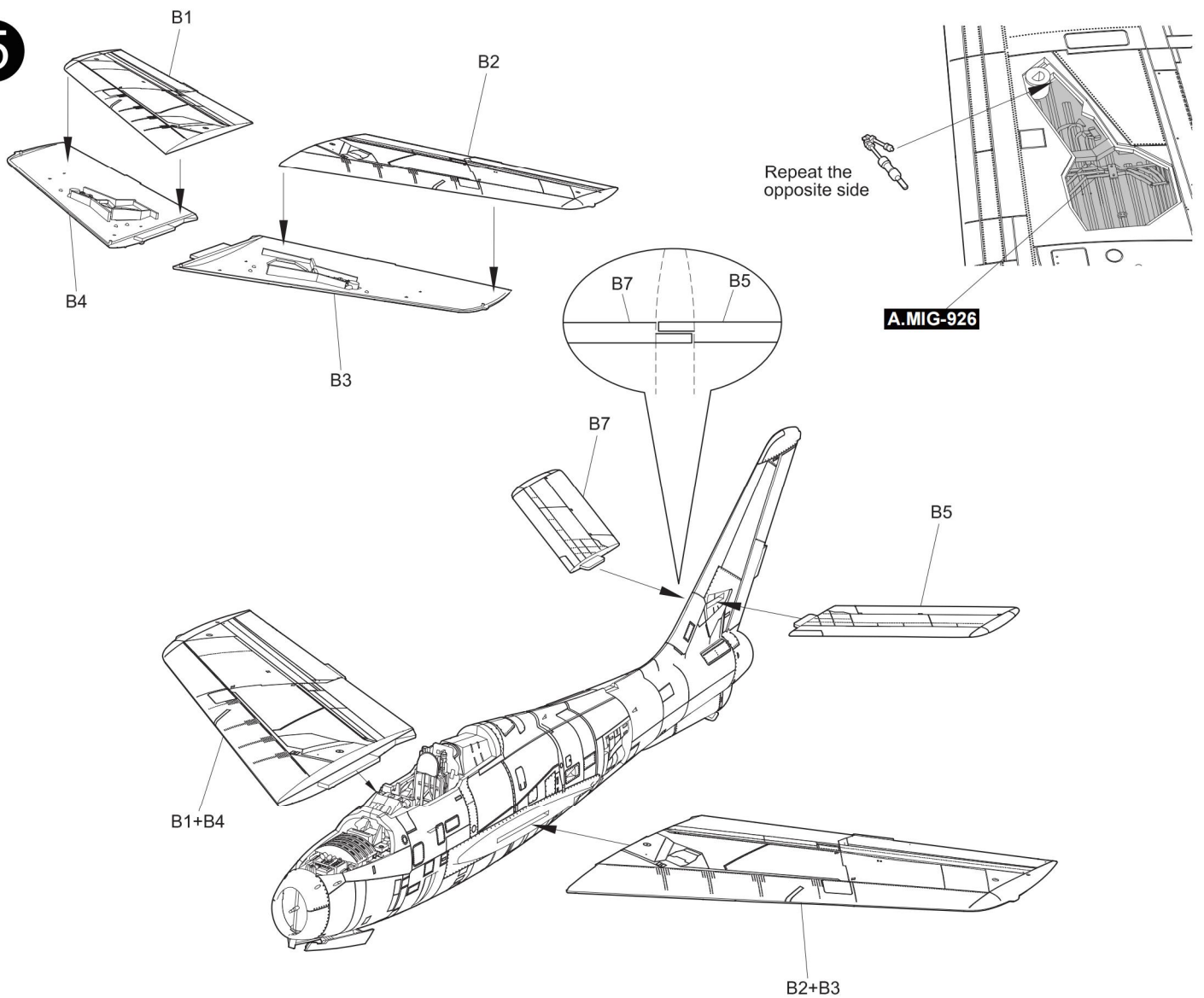
3



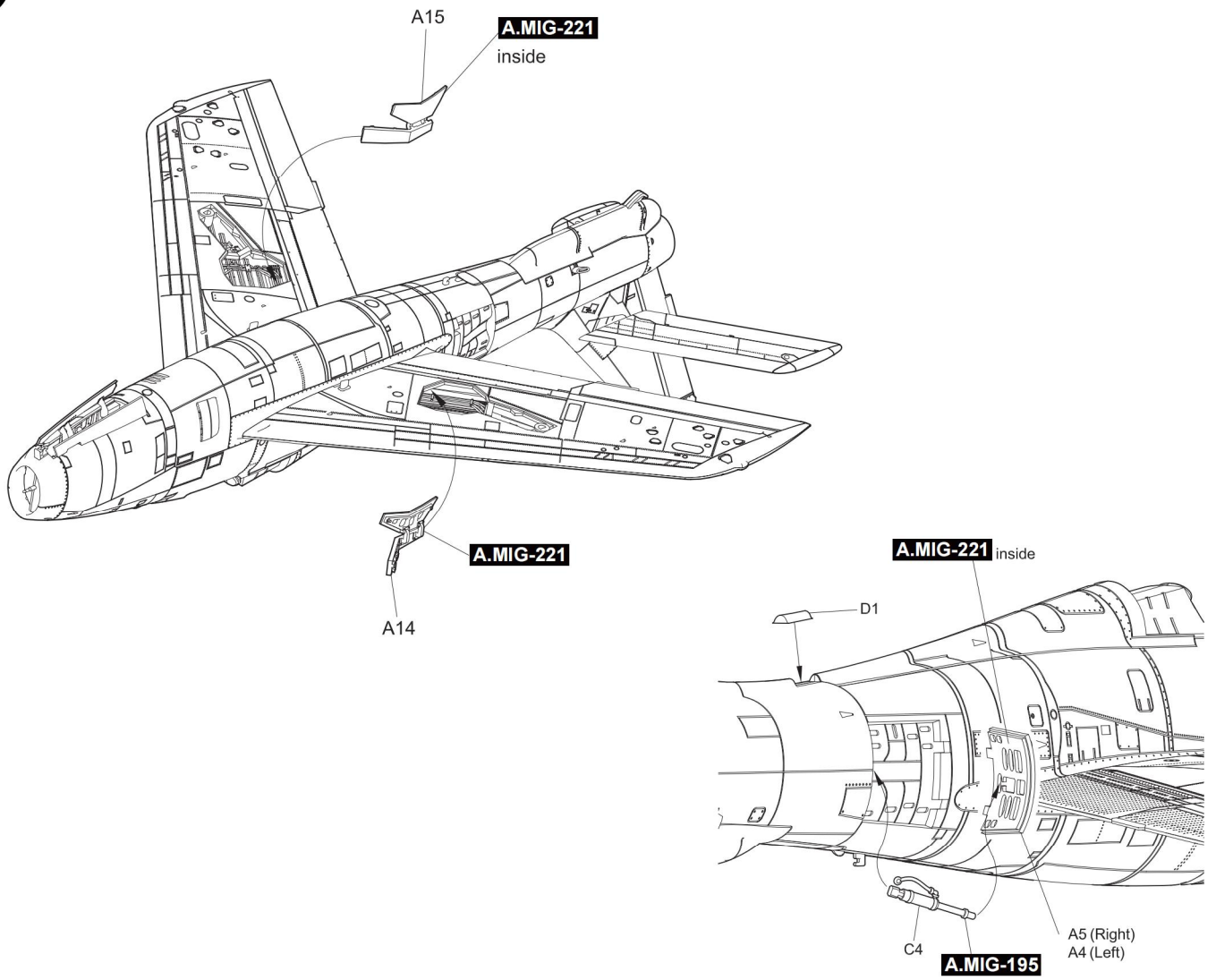
4



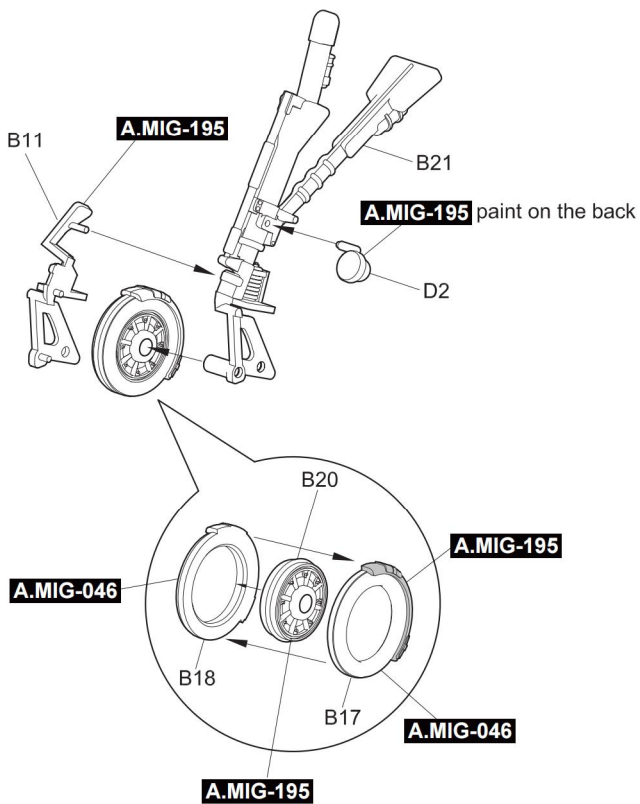
5



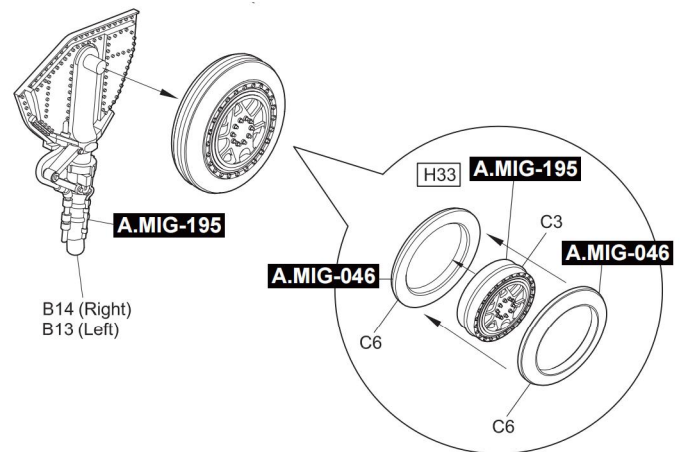
6

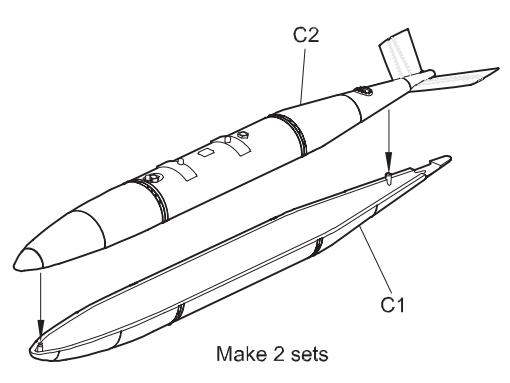
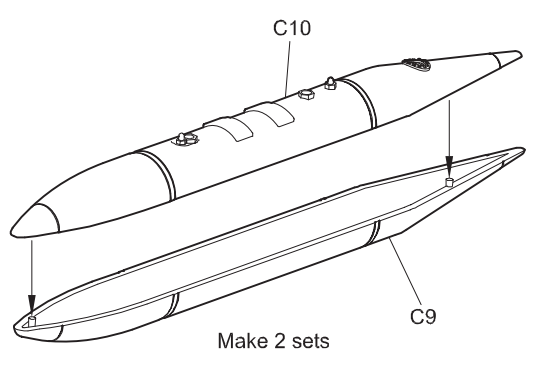
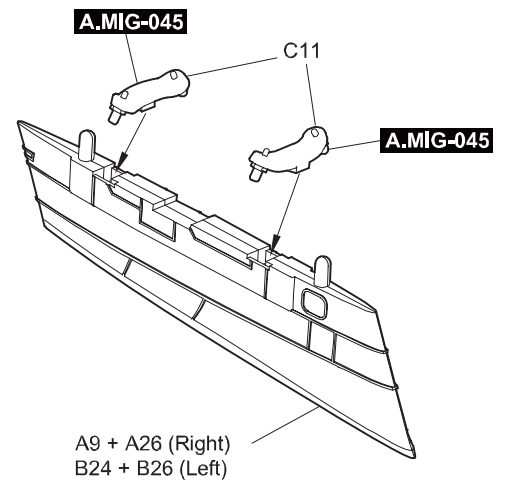
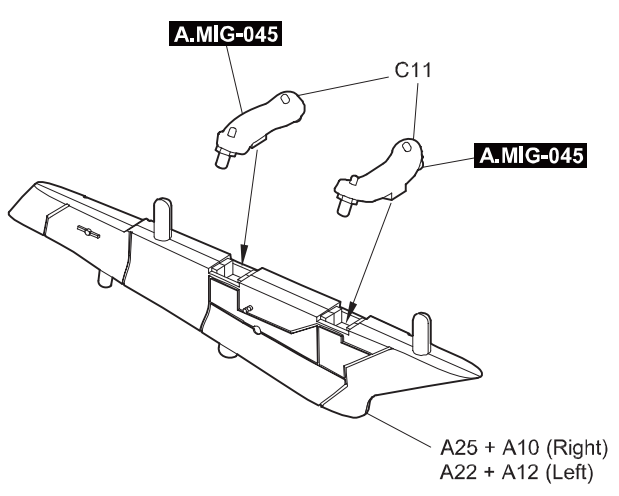
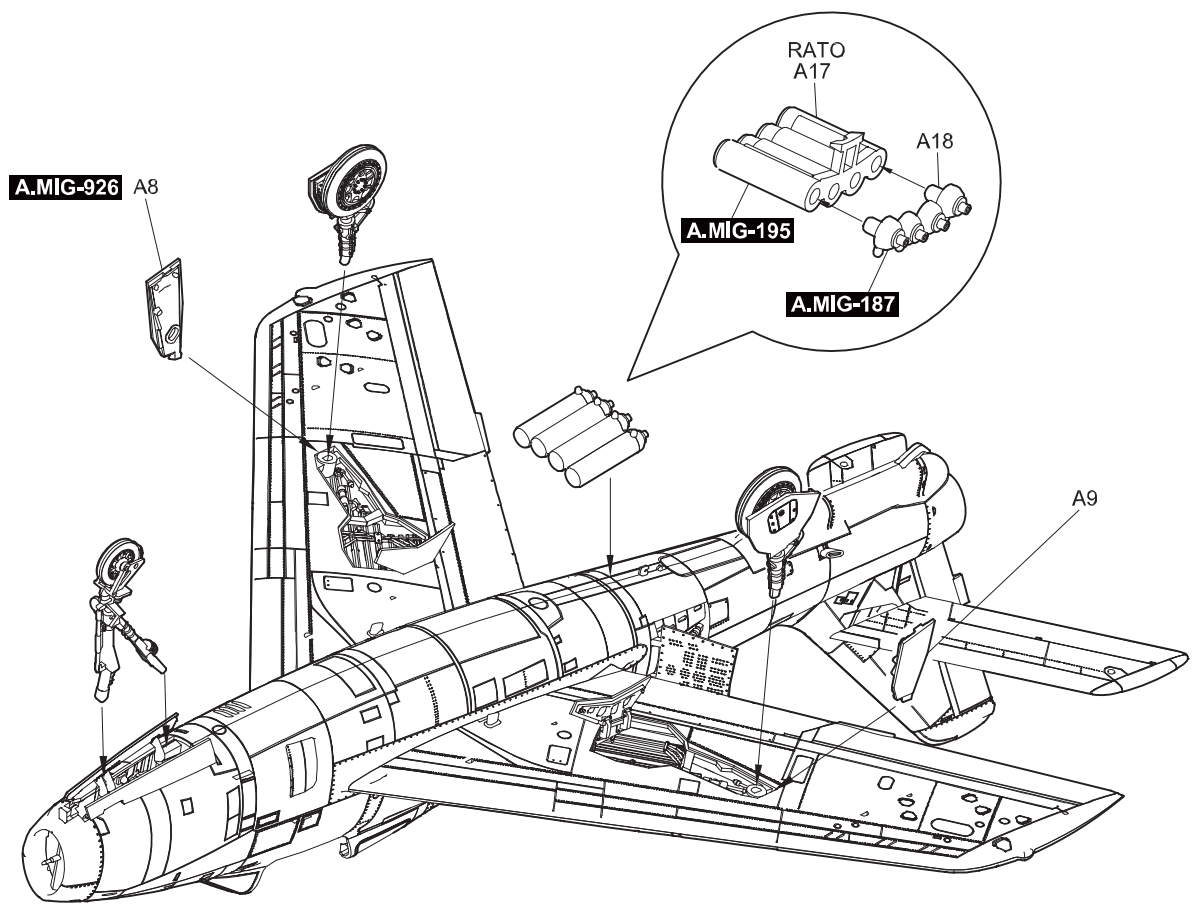


7

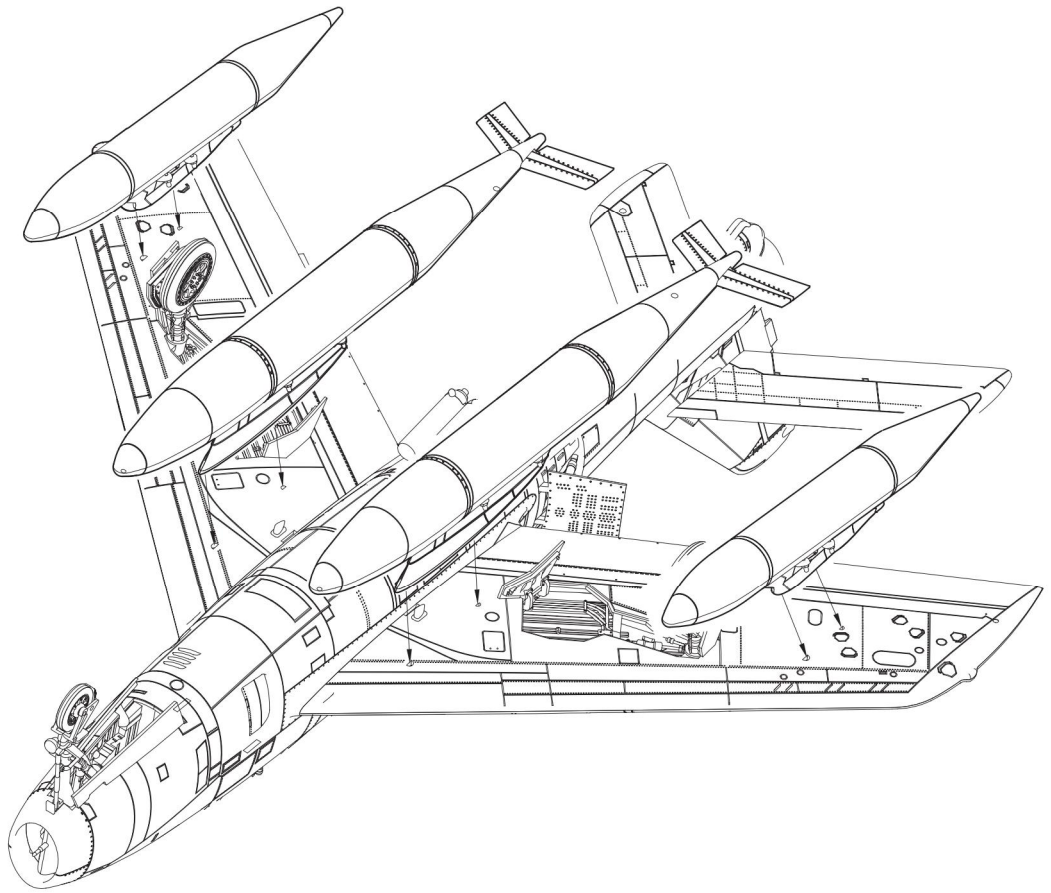


8

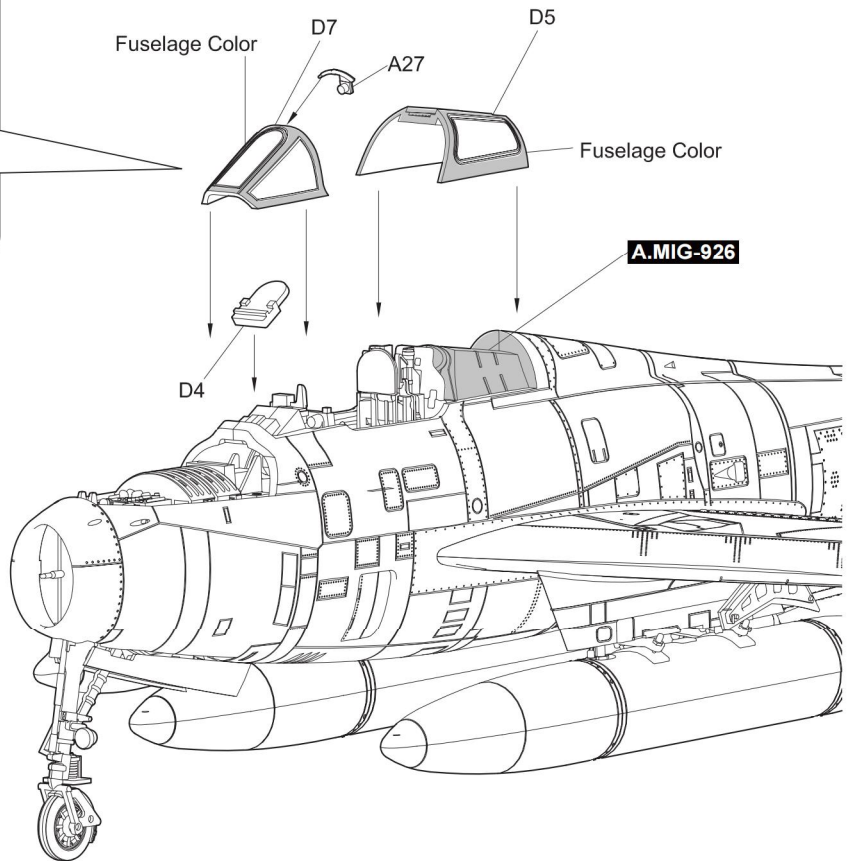
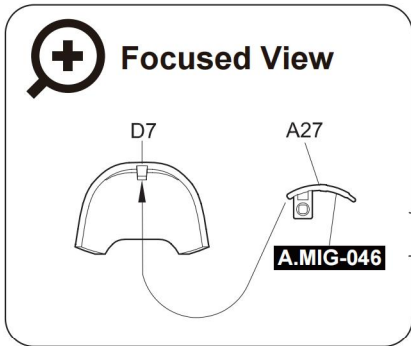




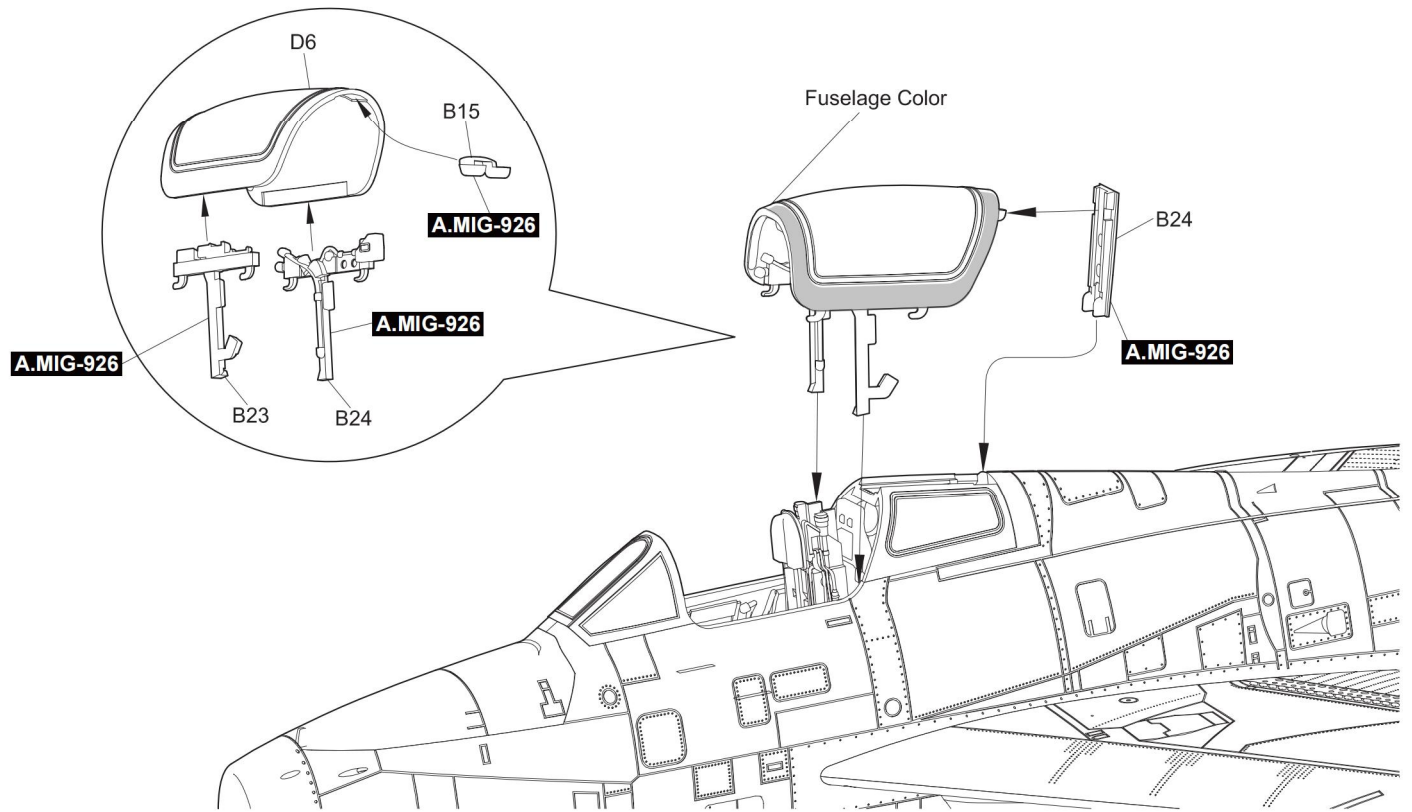
10



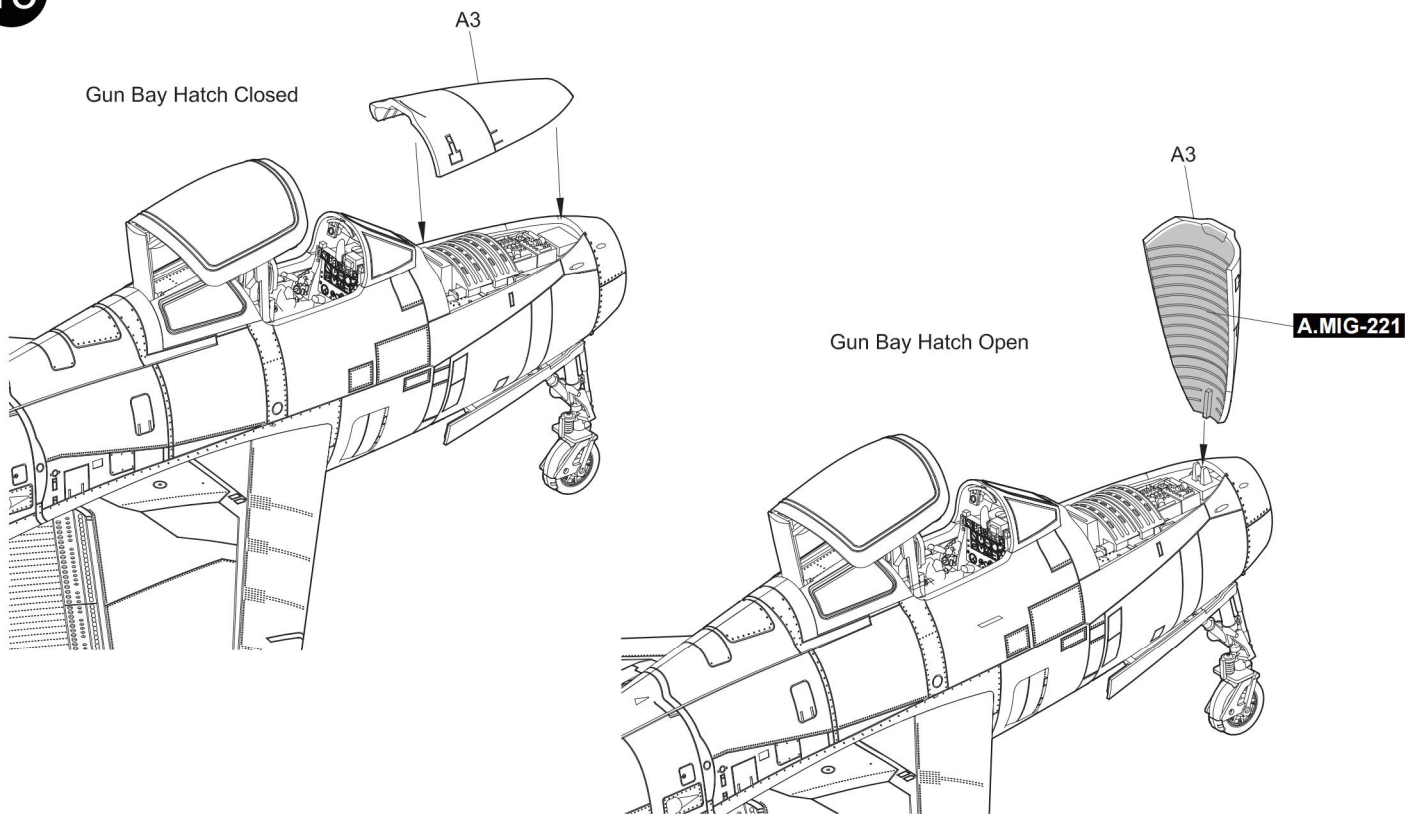
11



12



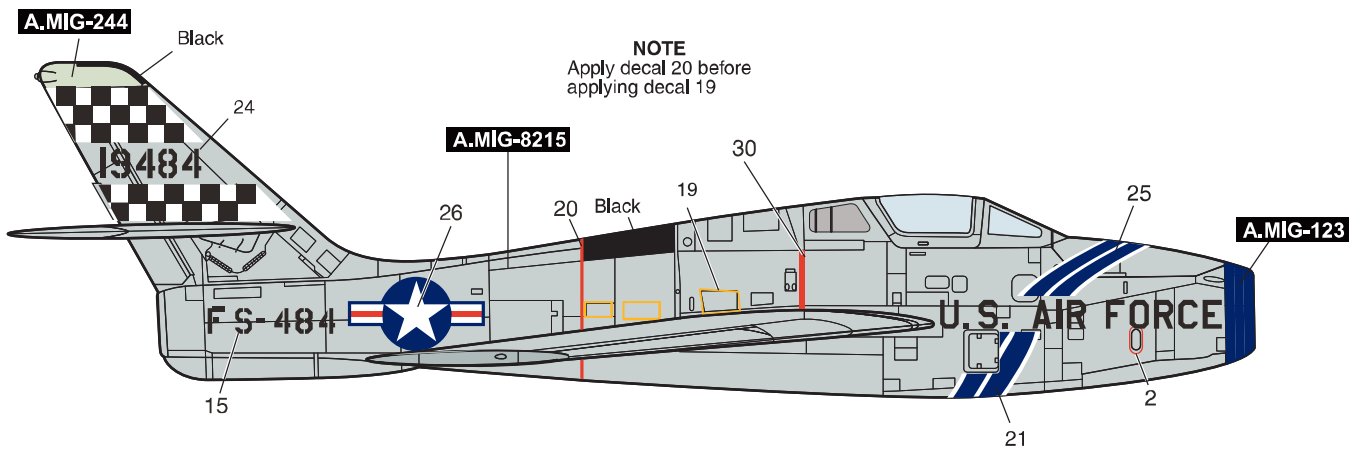
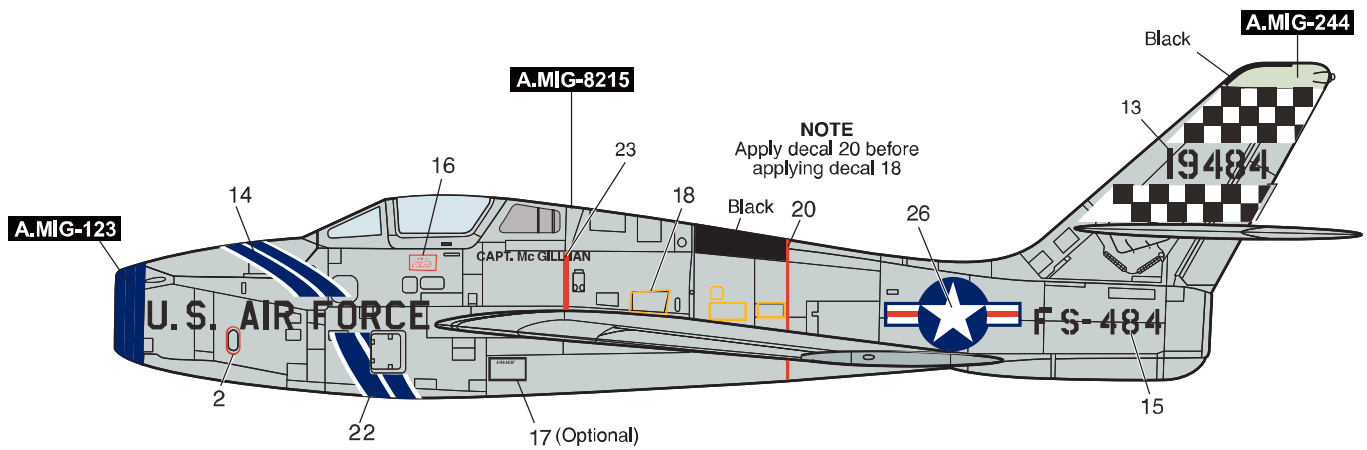
13





**1/48 SCALE AIRCRAFT SERIES NO.K48113**

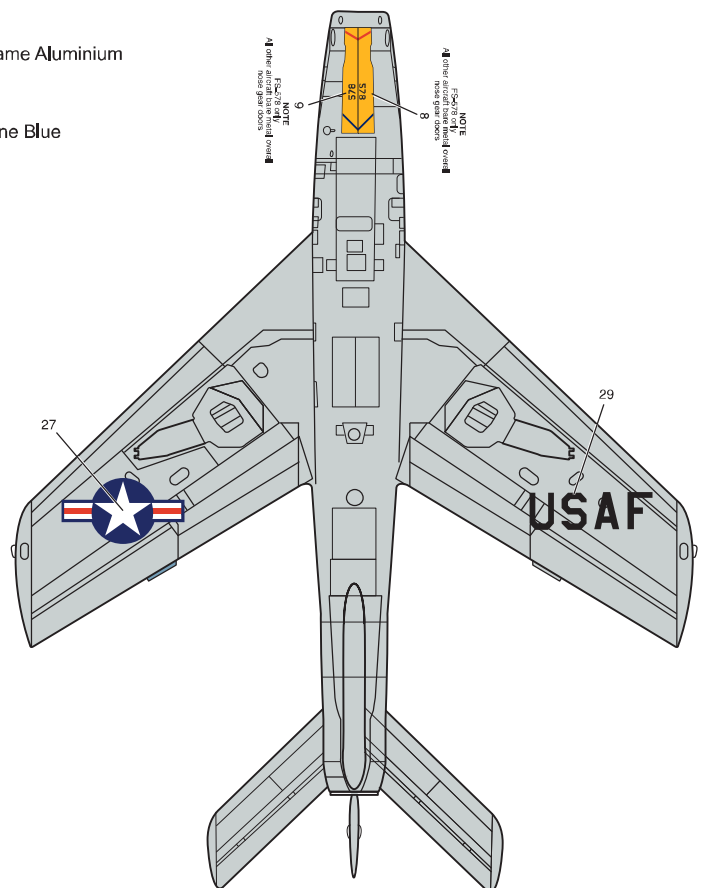
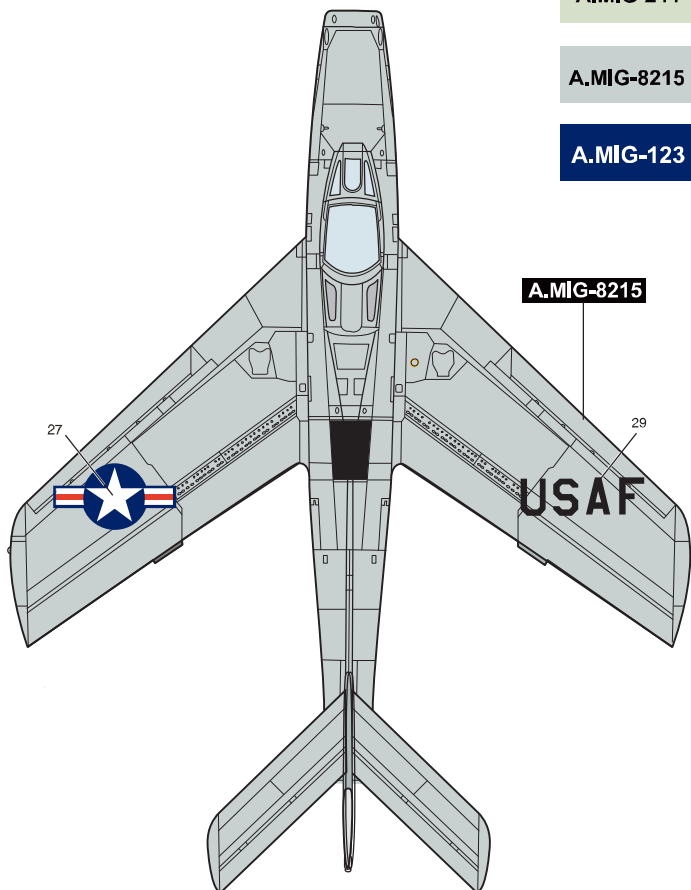
614th FBS, 401st FBW, England AFB, Louisiana, 1957



**A.MIG-244** Duck Green

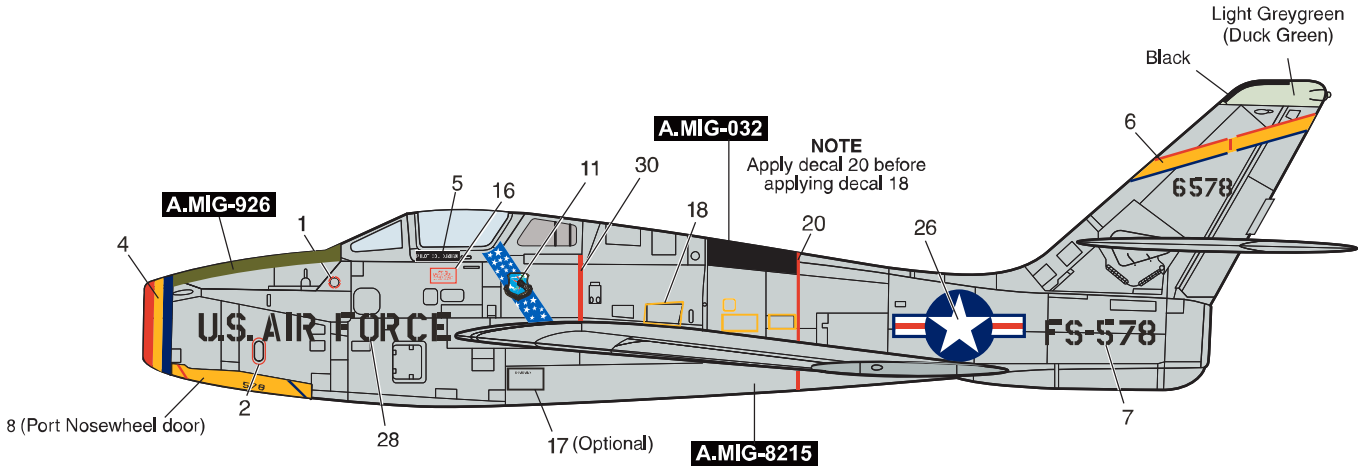
**A.MIG-8215** Airframe Aluminium

**A.MIG-123** Marine Blue

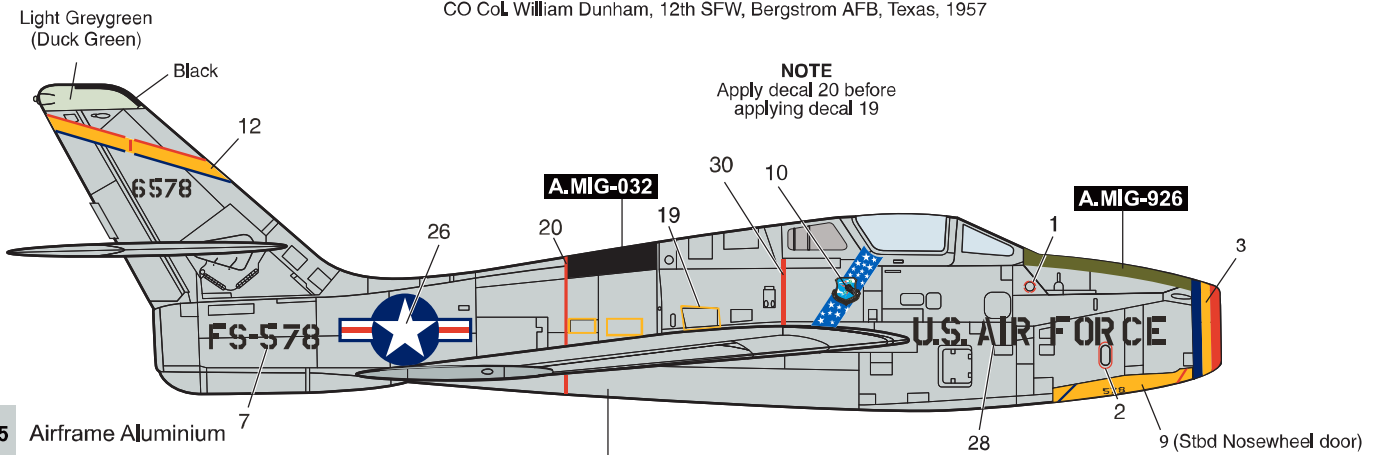


**1/48 SCALE AIRCRAFT SERIES NO.K48113**

CO Col William Dunham, 12th SFW, Bergstrom AFB, Texas, 1957



CO Col William Dunham, 12th SFW, Bergstrom AFB, Texas, 1957



**A.MIG-8215** Airframe Aluminium

**A.MIG-926** Olive Drab

**A.MIG-032** Black

