

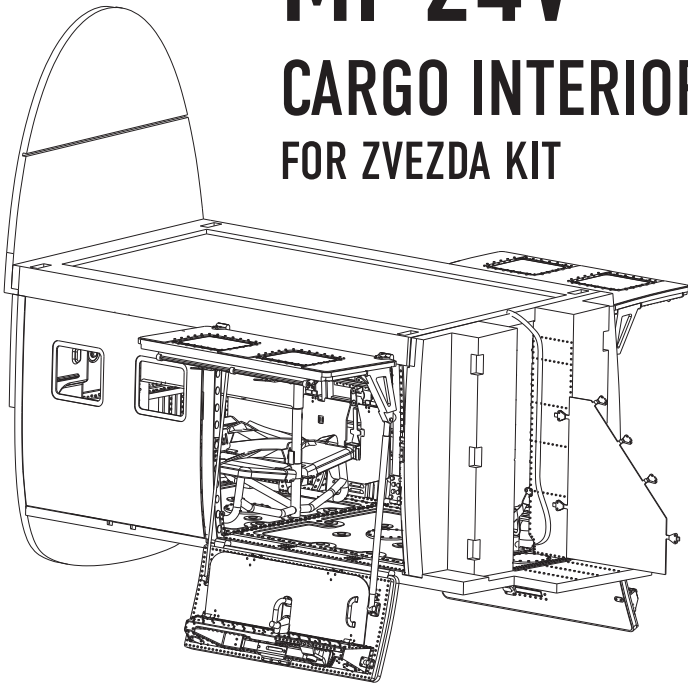


RESIN PARTS
FOR SCALE PLASTIC KITS

MI-24V

CARGO INTERIOR SET

FOR ZVEZDA KIT



e-mail: info@reskit.com.ua

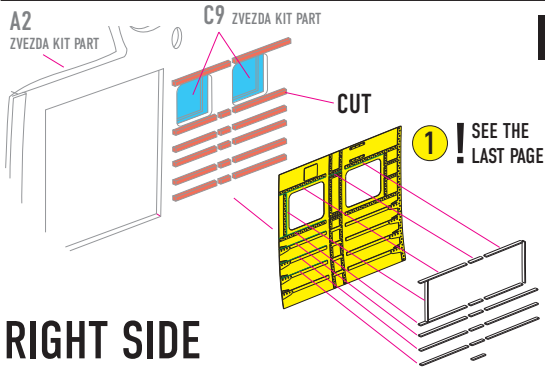
WWW.RESKIT.COM.UA

○ - RESIN PARTS

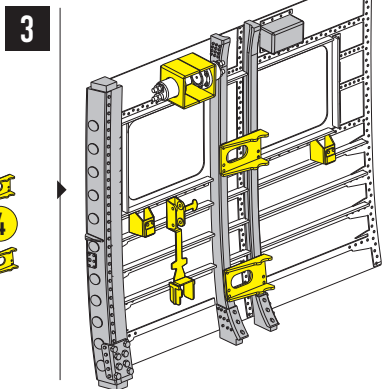
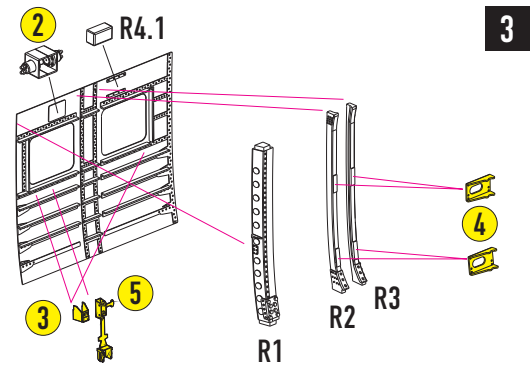
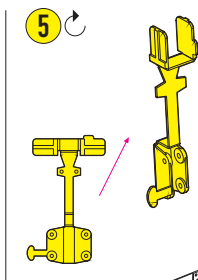
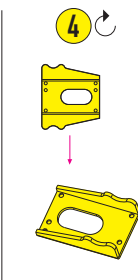
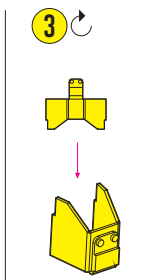
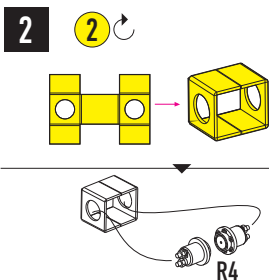
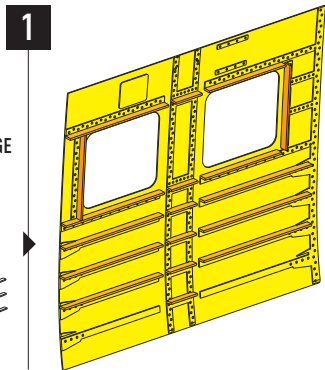
● - PHOTO ETCHED PARTS

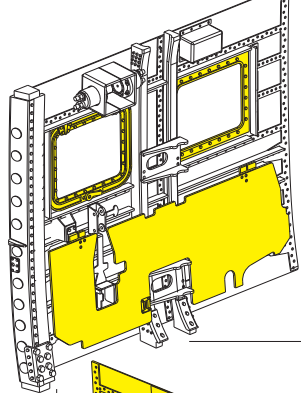
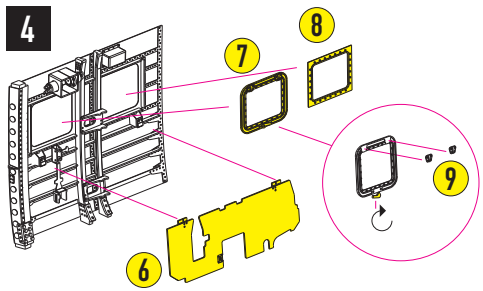
● - TRANSPARENT

↻ - BEND



RIGHT SIDE

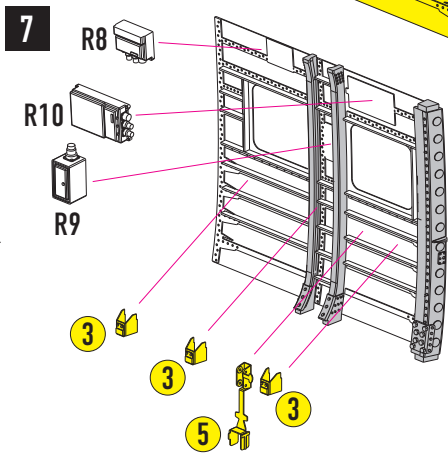
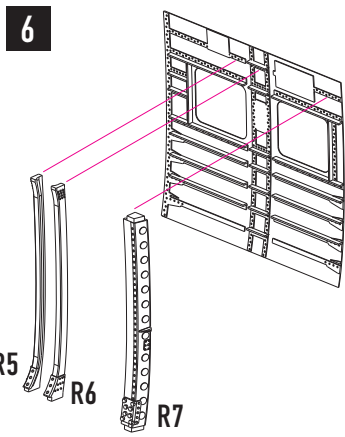
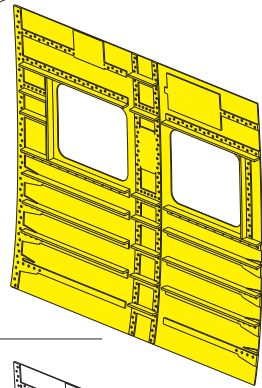
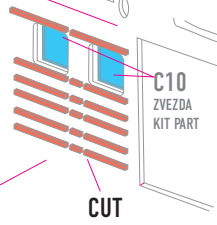
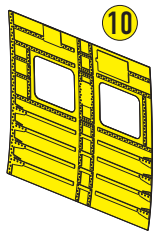




5 LEFT SIDE

A1
ZVEZDA KIT PART

! SEE THE
LAST PAGE

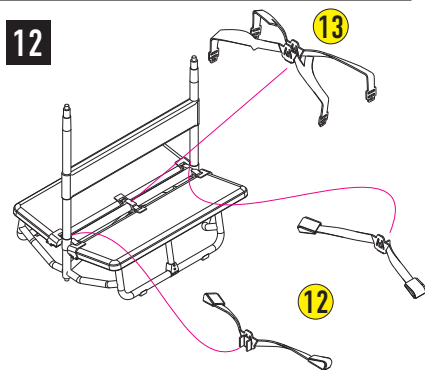
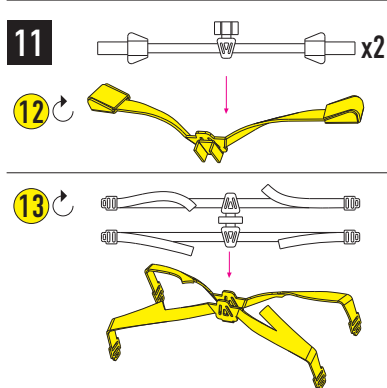
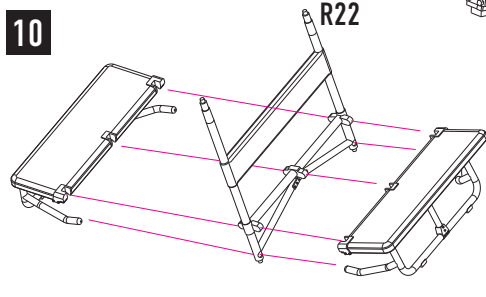
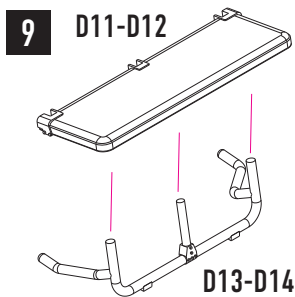
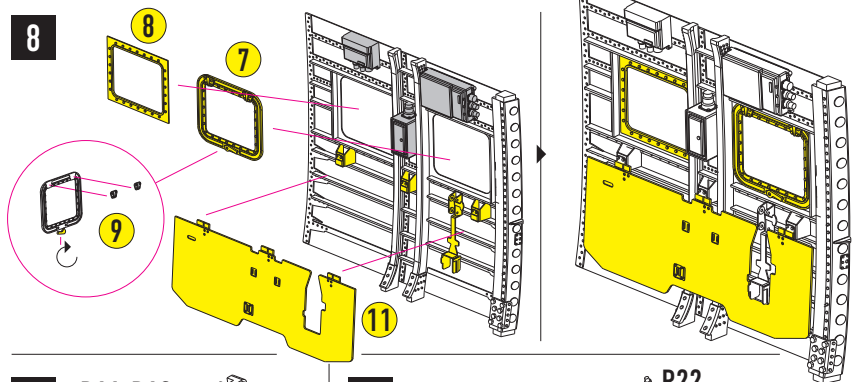


○ - RESIN PARTS

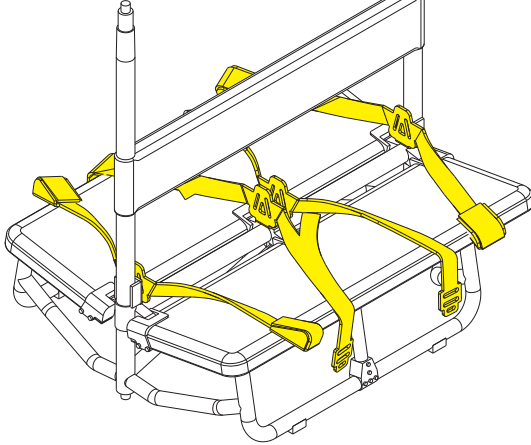
● - PHOTO ETCHED PARTS

● - TRANSPARENT

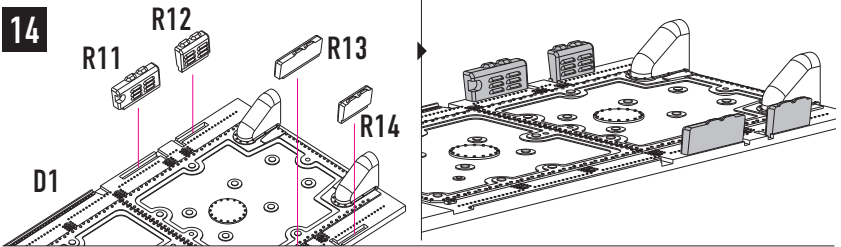
↻ - BEND



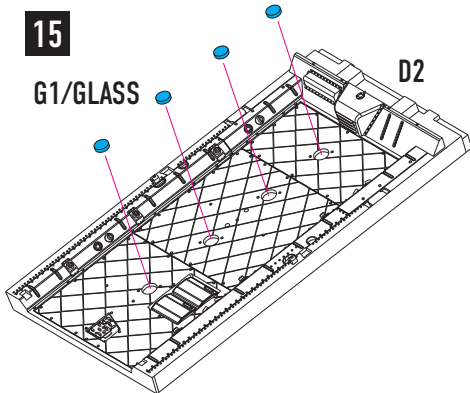
13



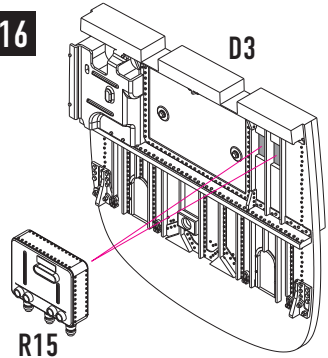
14



15



16



○ - RESIN PARTS

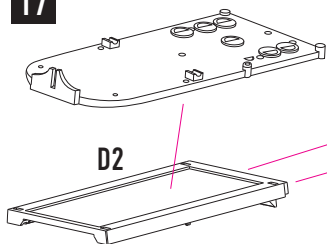
● - PHOTO ETCHED PARTS

● - TRANSPARENT

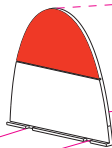
↻ - BEND

17

USE ZVEZDA KIT PART B74

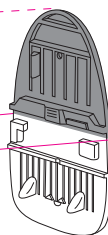


D4



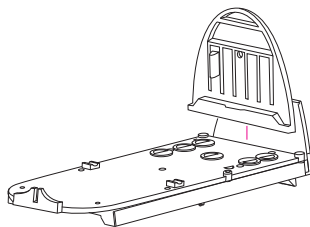
CUT OFF
AFTER
FITTING
B4

CUT ZVEZDA
PART B4
TO SIZE D4

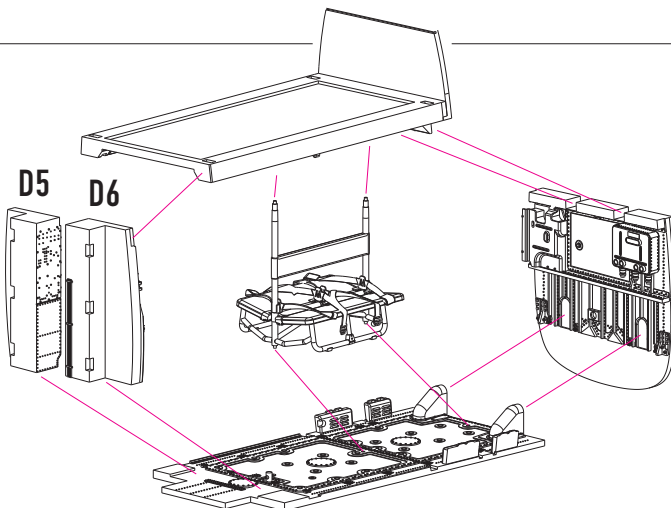


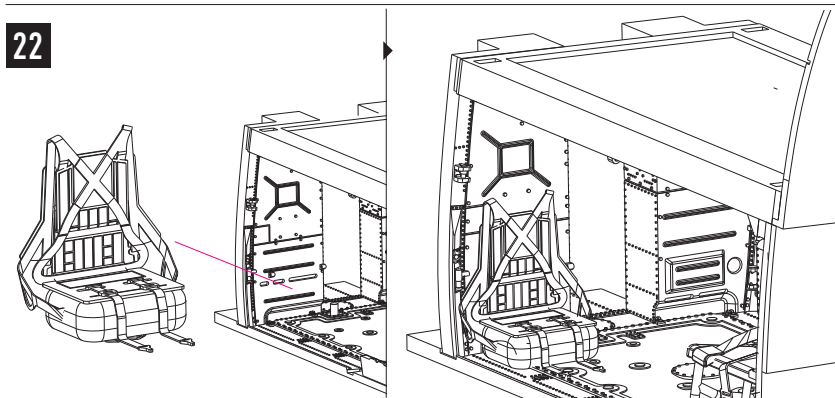
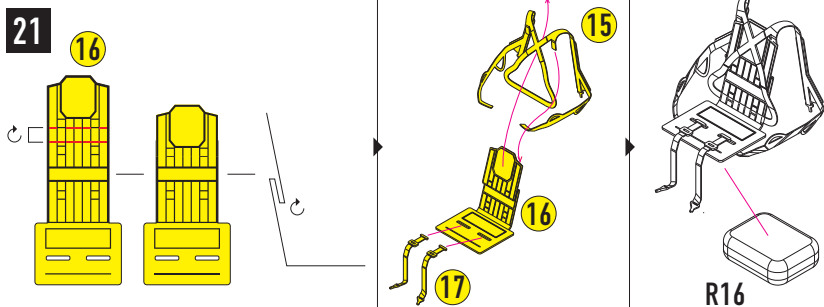
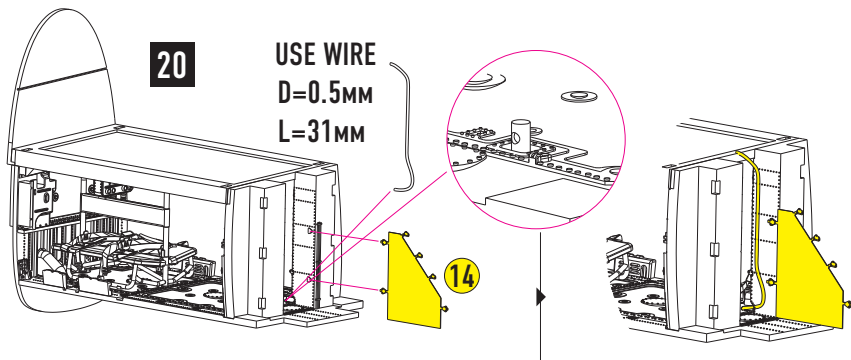
B4

18



19





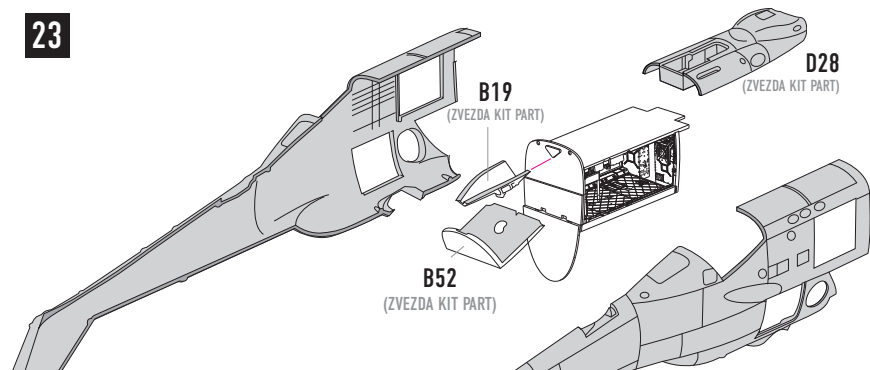
○ - RESIN PARTS

● - PHOTO ETCHED PARTS

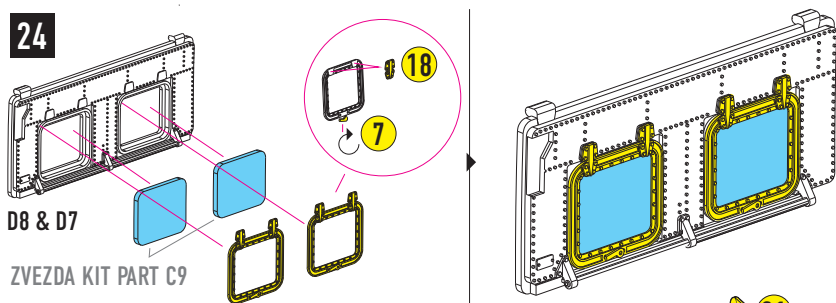
● - TRANSPARENT

↻ - BEND

23

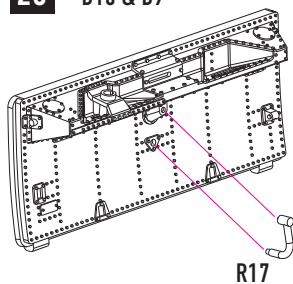


24

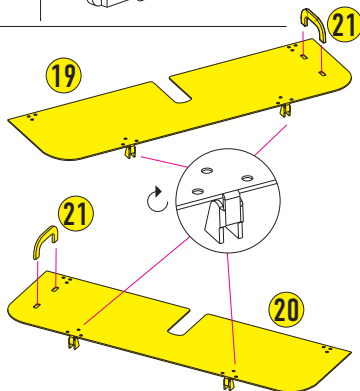


25

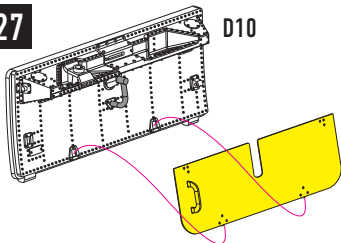
D10 & D9



26

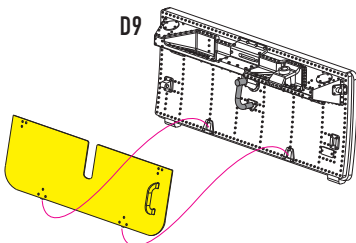


27



D10

D9

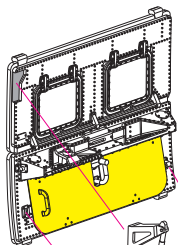


28

V1. CLOSED RIGHT DOOR

D8

D10



INSTALL
TO CEILING P1

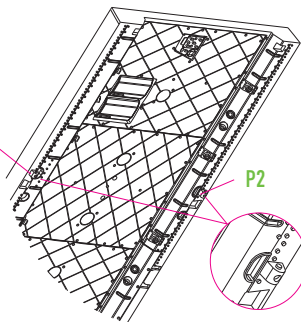
USE WIRE

D=0.3MM
L=26MM

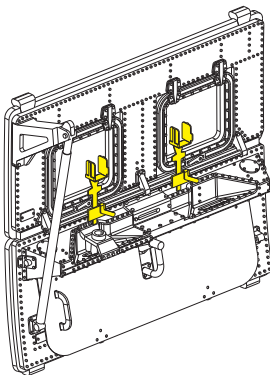
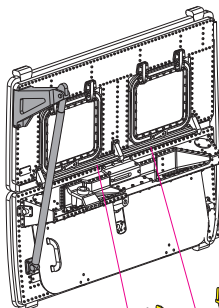
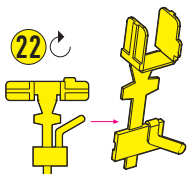
R20

P1

P2



29



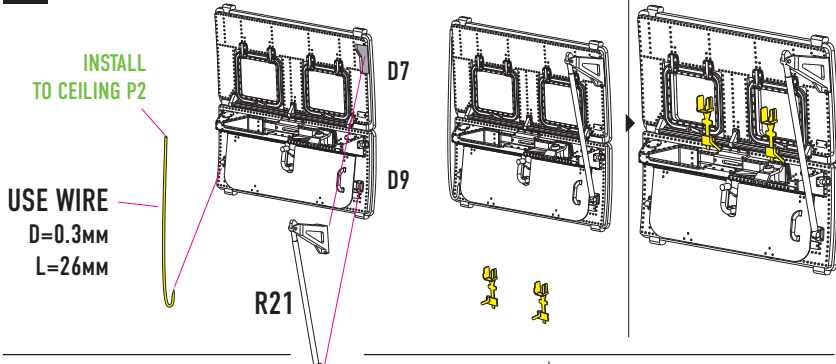
○ - RESIN PARTS

● - PHOTO ETCHED PARTS

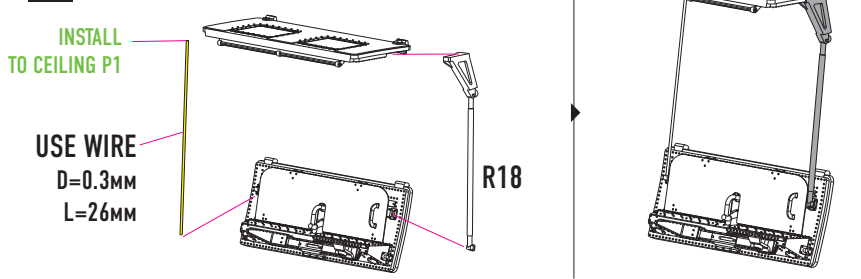
● - TRANSPARENT

↻ - BEND

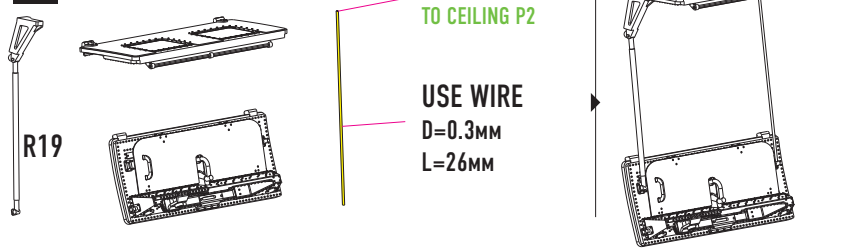
30 V1. CLOSED LEFT DOOR

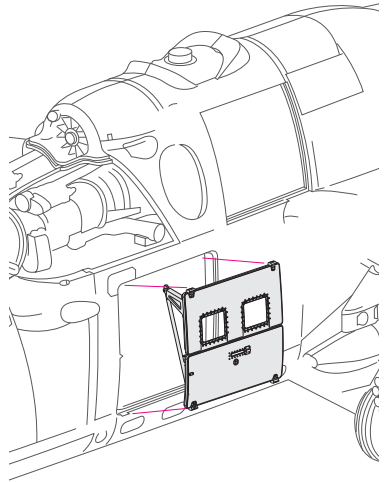
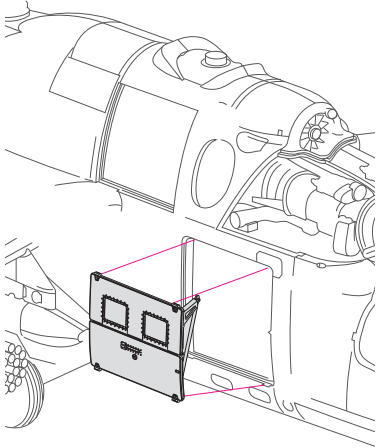
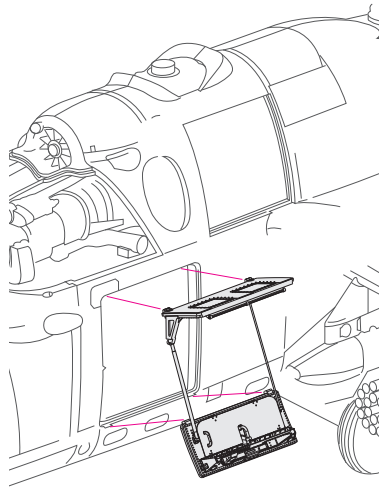
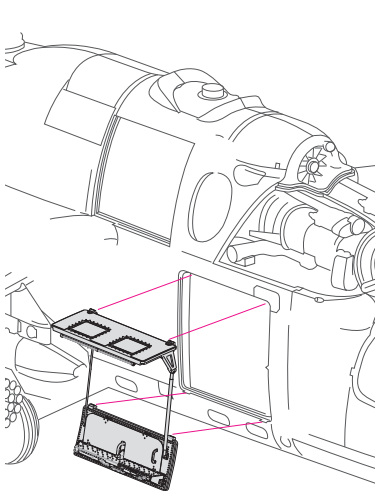


31 V2. OPEN RIGHT DOOR

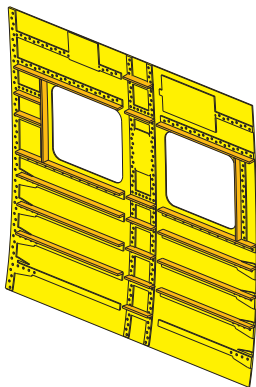
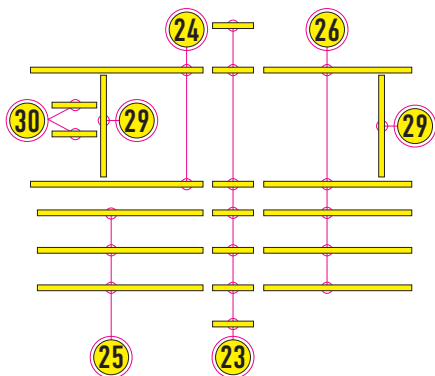
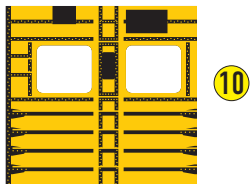


32 V2. OPEN LEFT DOOR





LEFT WALL



RIGHT WALL

