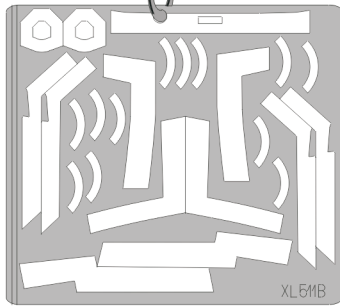
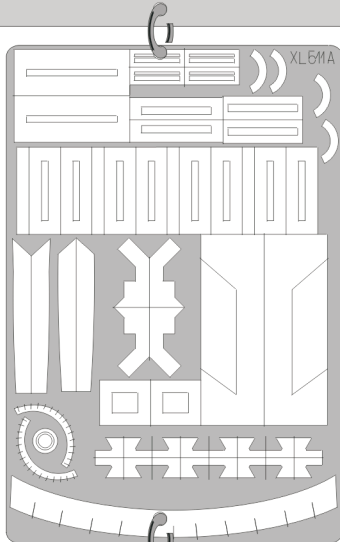


eduard
Express Mask

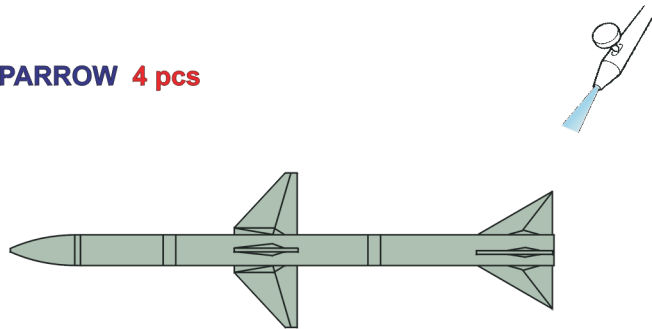
XL 511

F-4 Phantom II **useful areas**

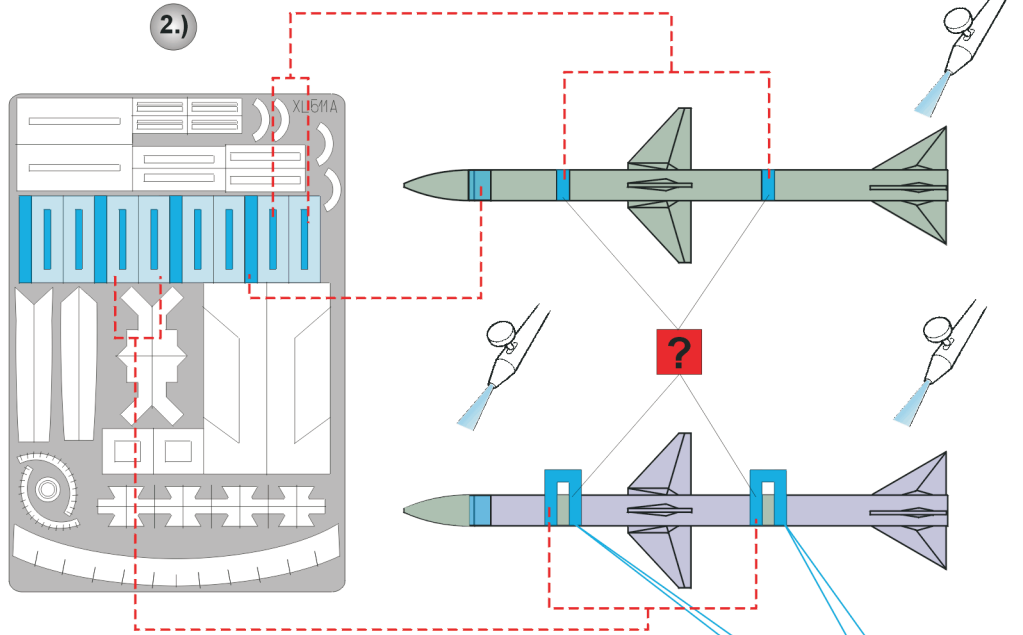
The die-cut mask for accurate canopy frame painting of the
Tamiya 1/32 KIT **ITEM 61504**



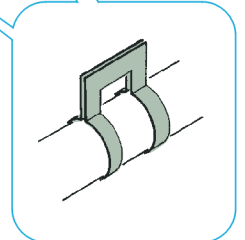
1.) **SPARROW 4 pcs**



2.)



LIQUID MASK



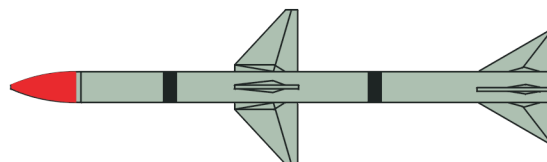
REFERENCES:

- F-4 Phantom II - IN DETAIL&SCALE #4
- REPLIC #53/1996
- REPLIC #57/1996
- REPLIC #125/2002



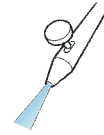
3.)

SPARROW

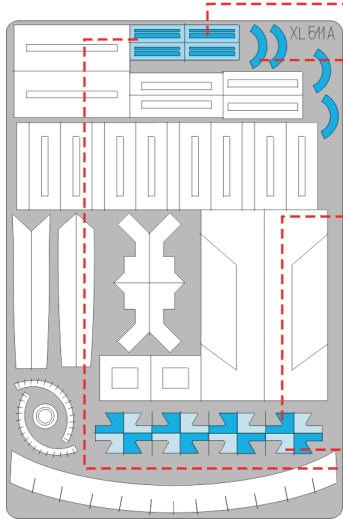


1.)

SIDEWINDER 4 pcs



2.)



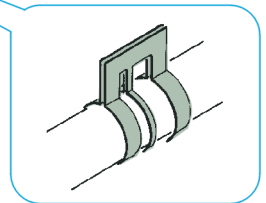
LIQUID MASK



LIQUID MASK

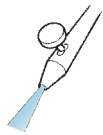
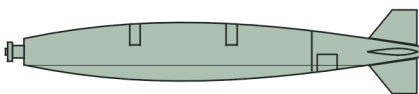
3.)

SIDEWINDER



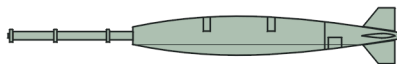
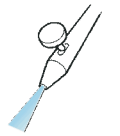
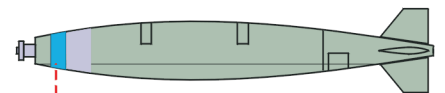
1.)

Mk.82 6 pcs

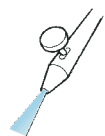
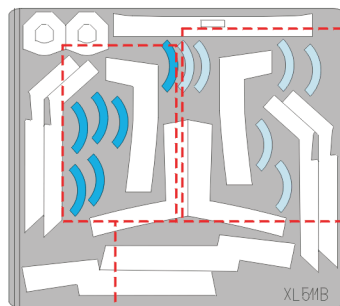


2.)

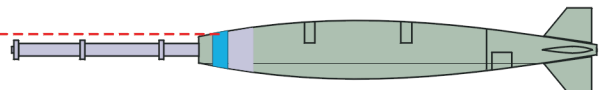
LIQUID MASK



Mk.82-fuse extension 6 pcs



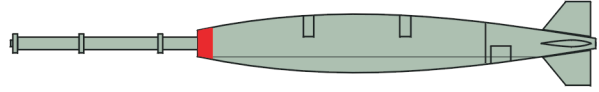
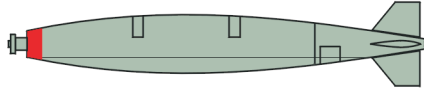
LIQUID MASK



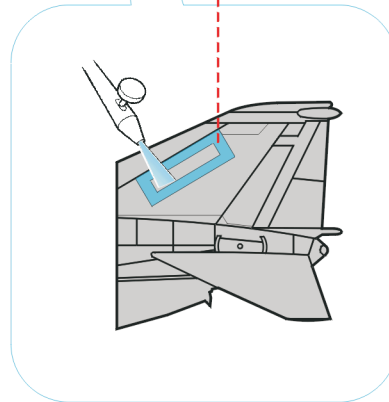
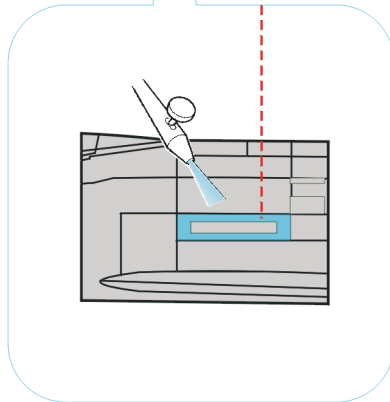
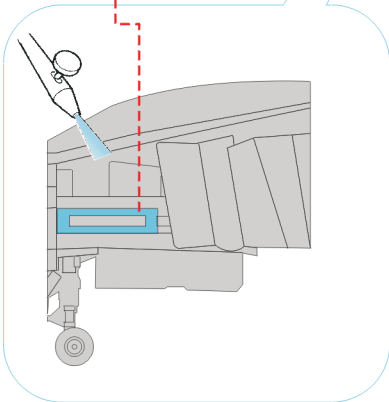
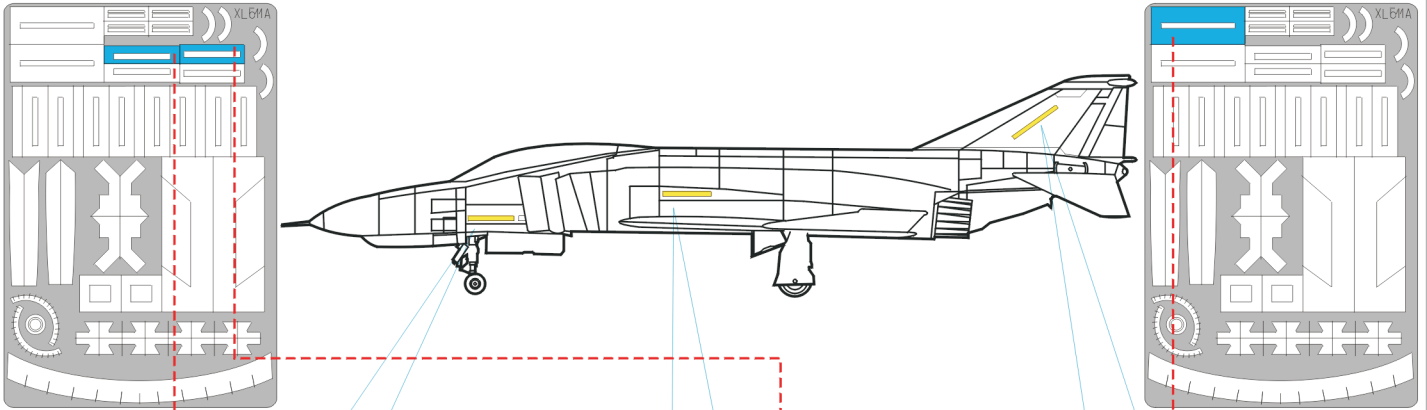
3.)

Mk.82

Mk.82-fuse extension



1.)



2.)

