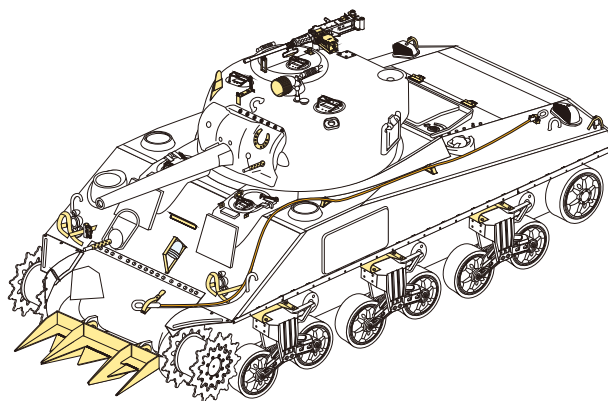


1/35 MILITARY MINIATURE VEHICLE UPGRADE SERIES PE35306

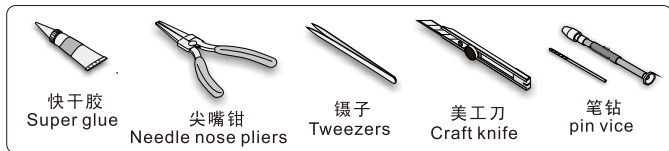
WWII US army M4/M4 DV mid tank

二战美军M4/M4 DV中型坦克基本改造件

[For DRAGON 6511 6579/TAM 35190]

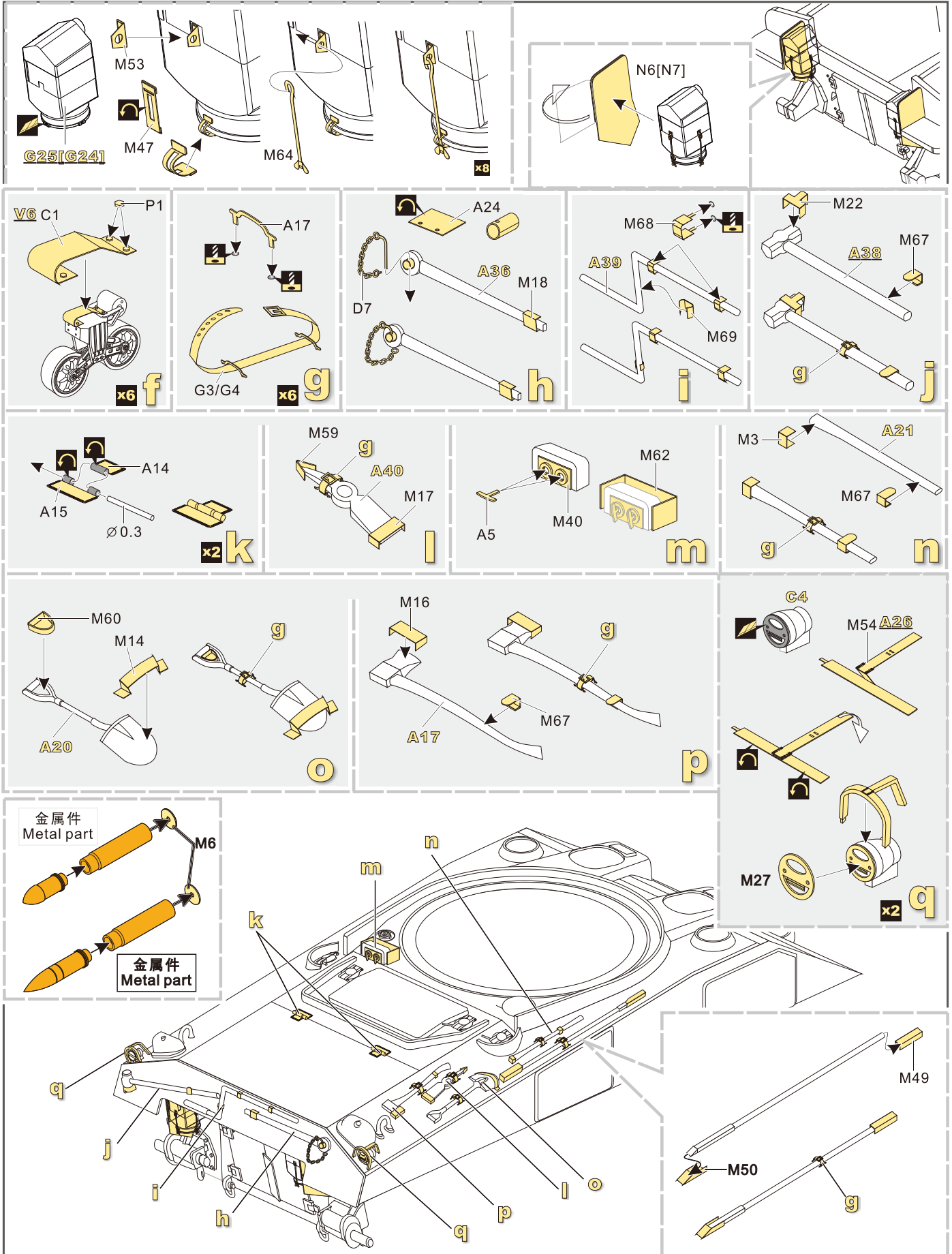


推荐使用工具 RECOMMENDED TOOLS



安装 install	折叠 bend	A1 改造件零件编号 PE/resin part number	B12 原零件编号 kit part number	G22 被替换的原零件编号 replaced kit part number	钻孔 drill	填补 fill	用尖端在凹槽处冲压 use penpoint to press on the dent
切除 remove	打磨 grind off	弧度卷曲 radial bending	x2 制作若干组 multiple assembly	另一侧相同制作 repeat on opposite side	选择安装 alternative	注意 caution	扩孔 ream

1/35 MILITARY MINIATURE VEHICLE UPGRADE SERIES PE35306



1/35 MILITARY MINIATURE VEHICLE UPGRADE SERIES PE35306

金属件 Metal part

A6 A4

A2 A6
0.3mmx3.0mm

树脂件 Resin part

A12 A13

A10 A8

C8, MA5 R

M58 M11

A28 G7

M26 N9

A27

舱盖正面 Hatch outside

舱盖内侧 Hatch inside

M15 M63 M63

∅ 1.0 D8

A27

A3

A21 MA 10

M19 M13

M12

钢缆 Steel cable

M7

M24 M23

M65 M32

M10[M9]

MA 11[MA 12]

N3 **自行裁剪 Cut to fit**

三片式变速箱装甲用N8
Use N8 on triple transmission
amour plate version only

N1 N8

∅ 0.3

N2 N4 N5

Recommended item

PE35307	WWII US army M4 mid tank Skirts
PEA107	WWII US Sherman Series OVM
PEA136	WWII US Army Tank Stenciling Templates type.1
PEA137	WWII US Army Tank Stenciling Templates type.2
VBS0207	WWII US Vehicle Mounted M2 Browning Machine Gun
VBS0311	WWII U.S.75mm Ammunition with Shell Case
VBS0312	WWII U.S.75mm Ammunition Shell Case