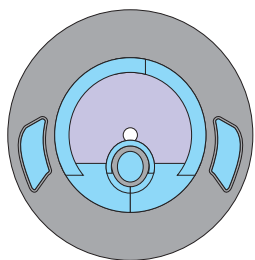
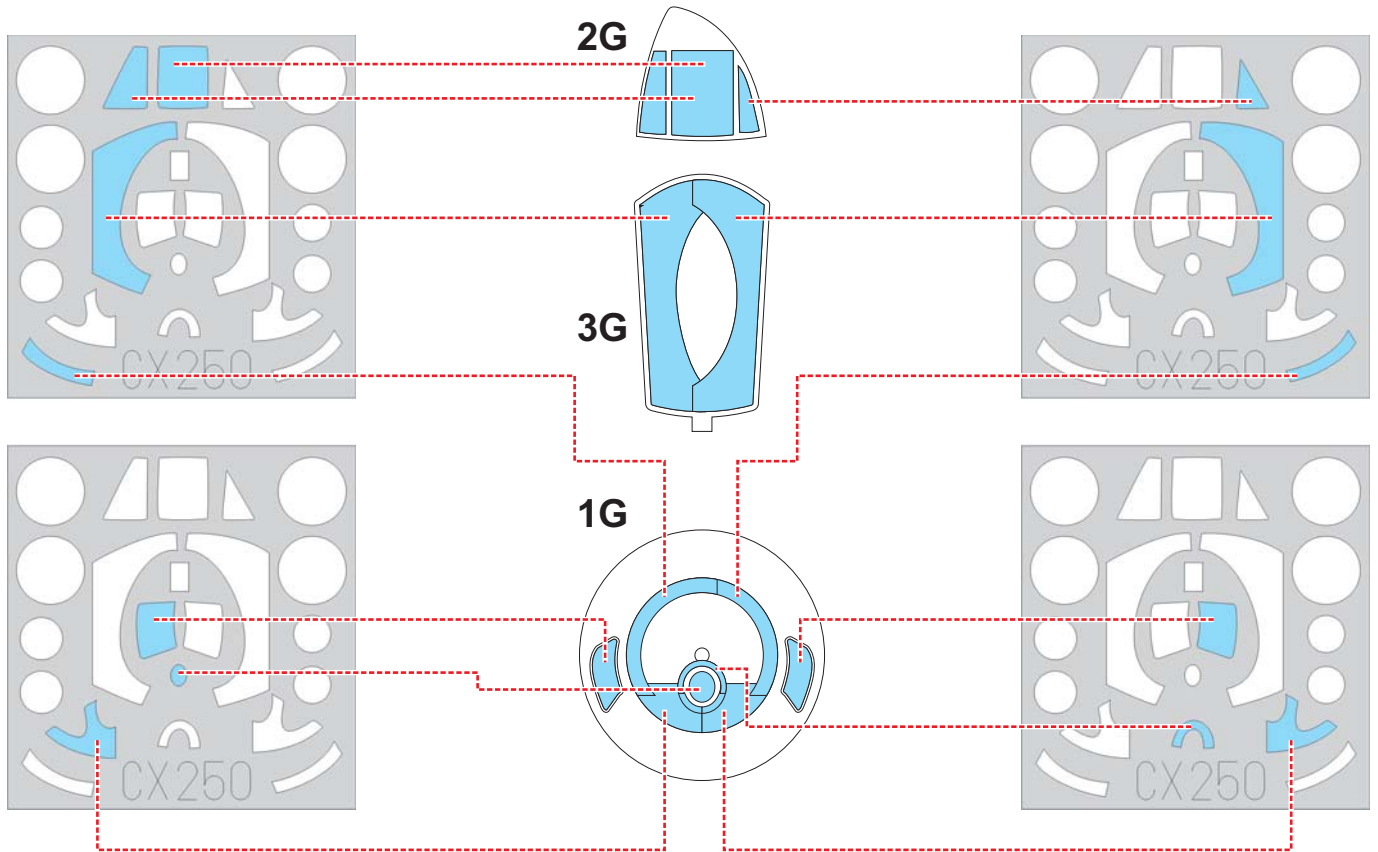
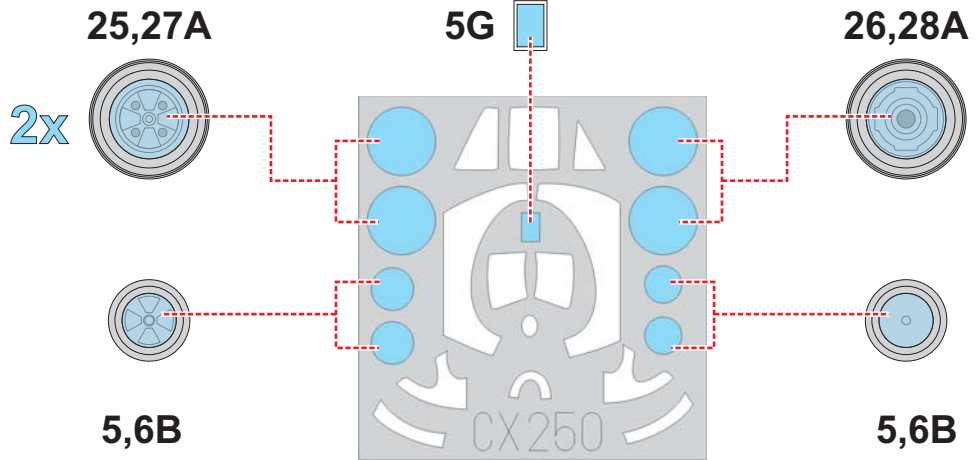
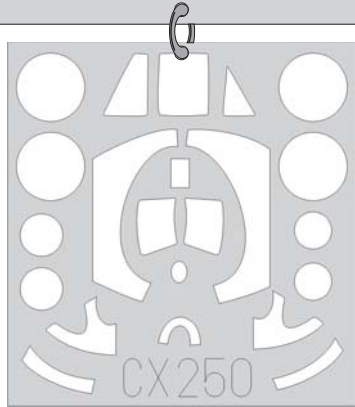


eduard
MASK

CX 250

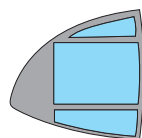
Canberra B.I 1/72

The die-cut mask for accurate canopy frame painting of the
Airfix scale 1/72 KIT

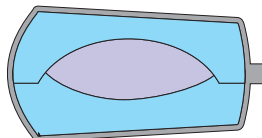


1G

LIQUID MASK ■



2G



3G

