

Heinkel He 219A-5

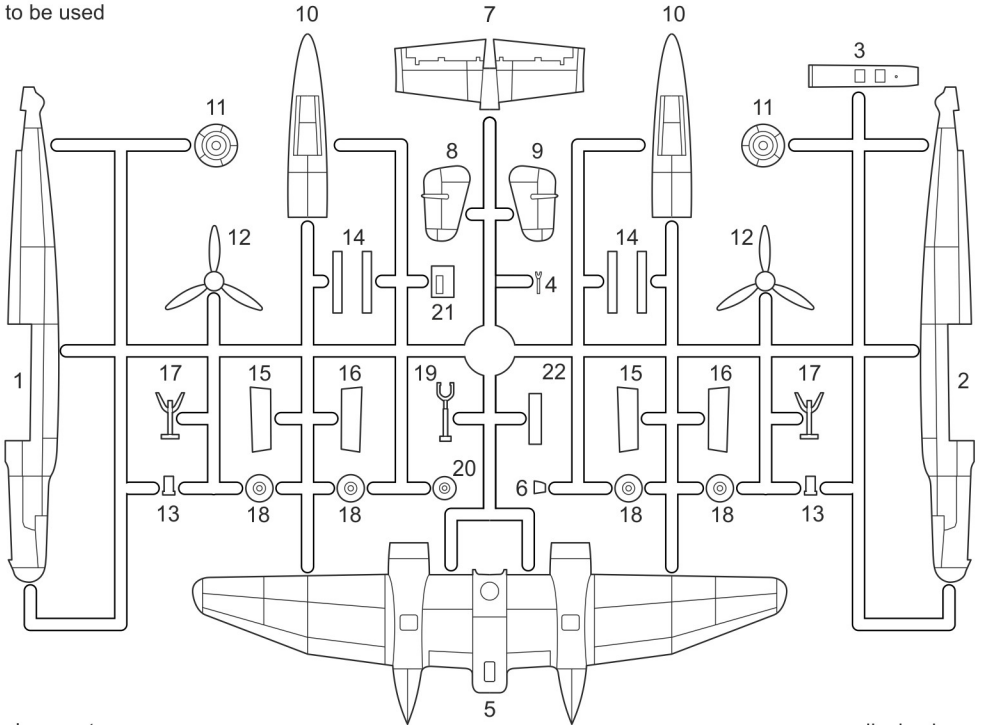
NIGHT OWL



MKM14425
1/144 scale

MARK I Ltd.
PO Box 10
CZ-100 31 Prague 10 - Strašnice
Czech Republic
mark1@cmail.cz
www.4pluspublications.com

parts not
to be used

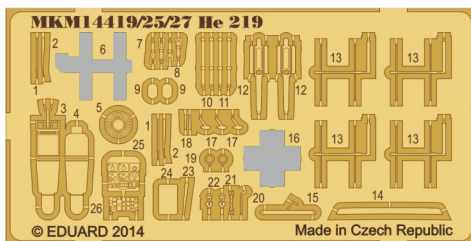


clear part



display base

PE parts



2x

Repeat this operation



Glue



Bend



Drill

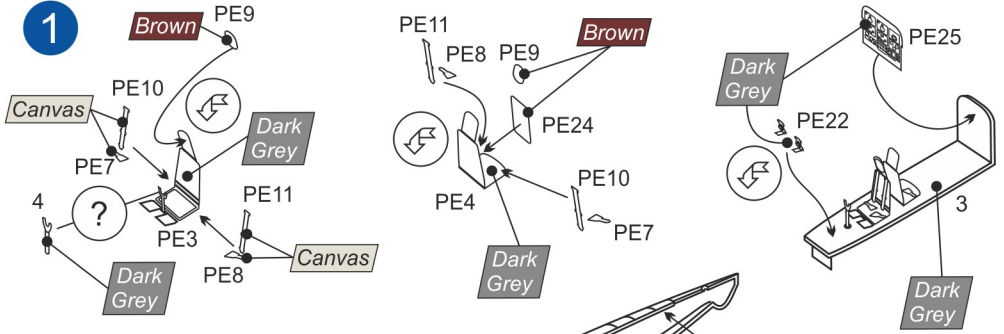


Detach/cut

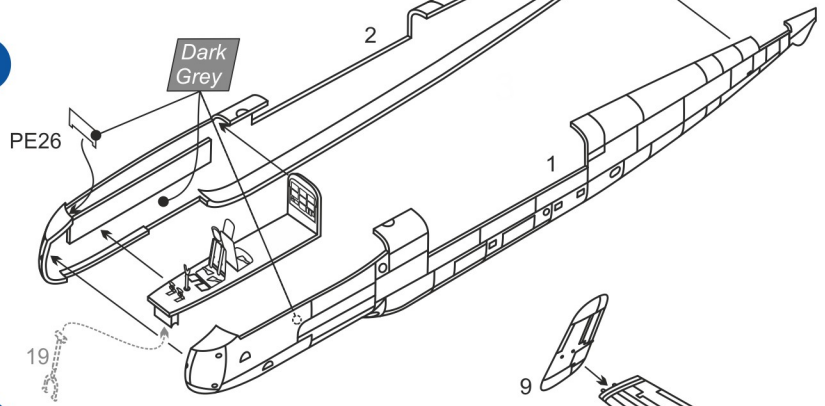


Optional

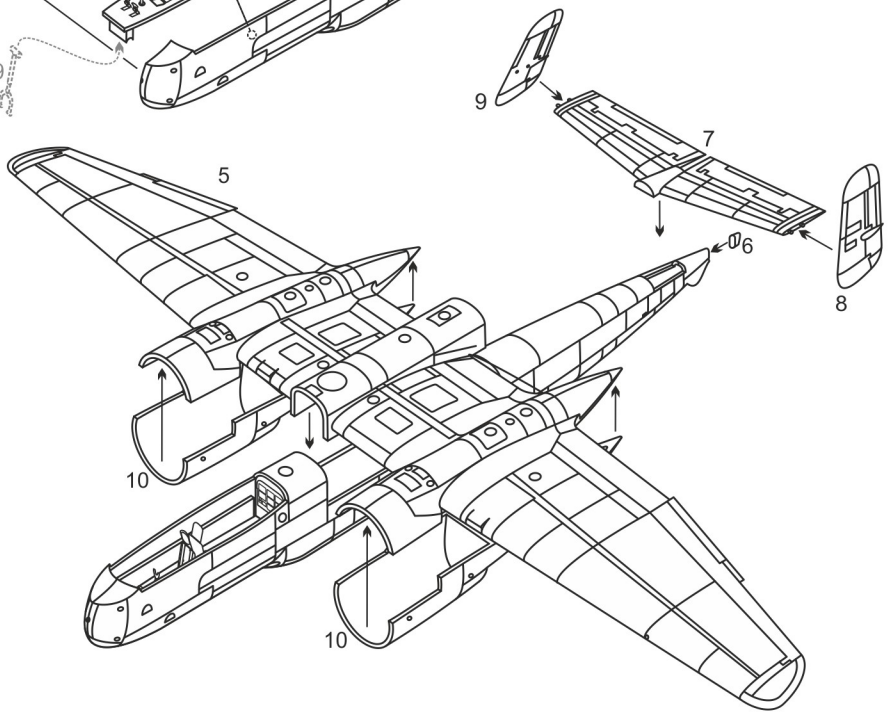
1



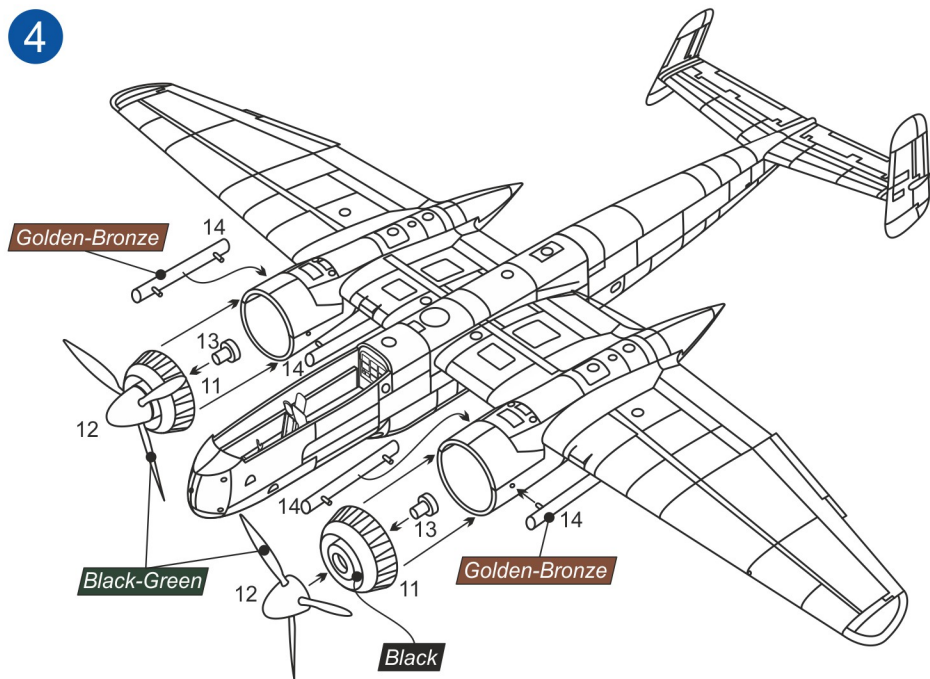
2



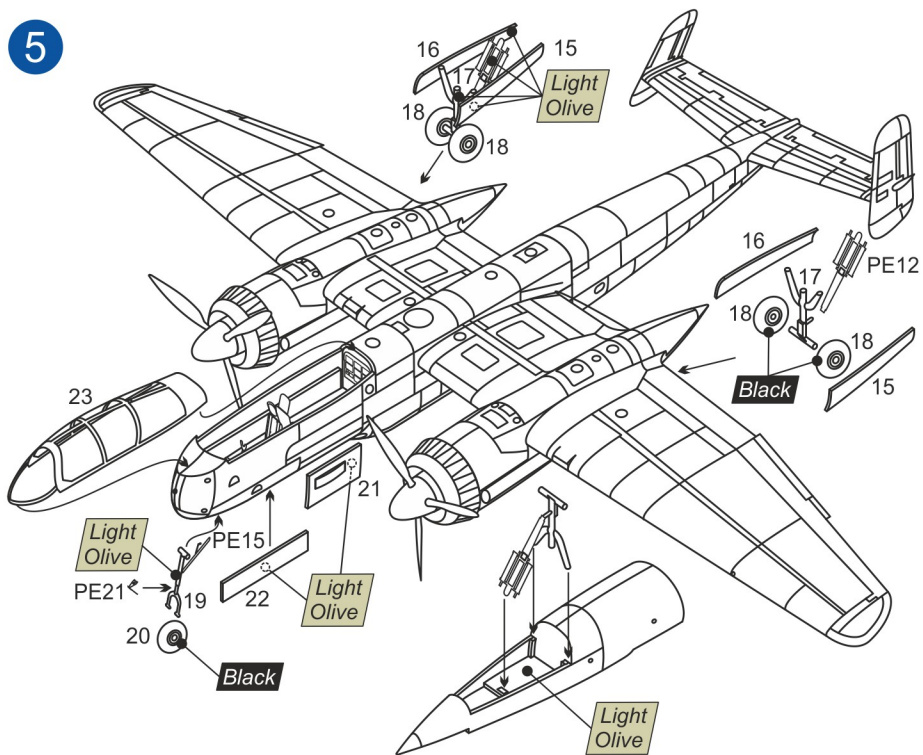
3



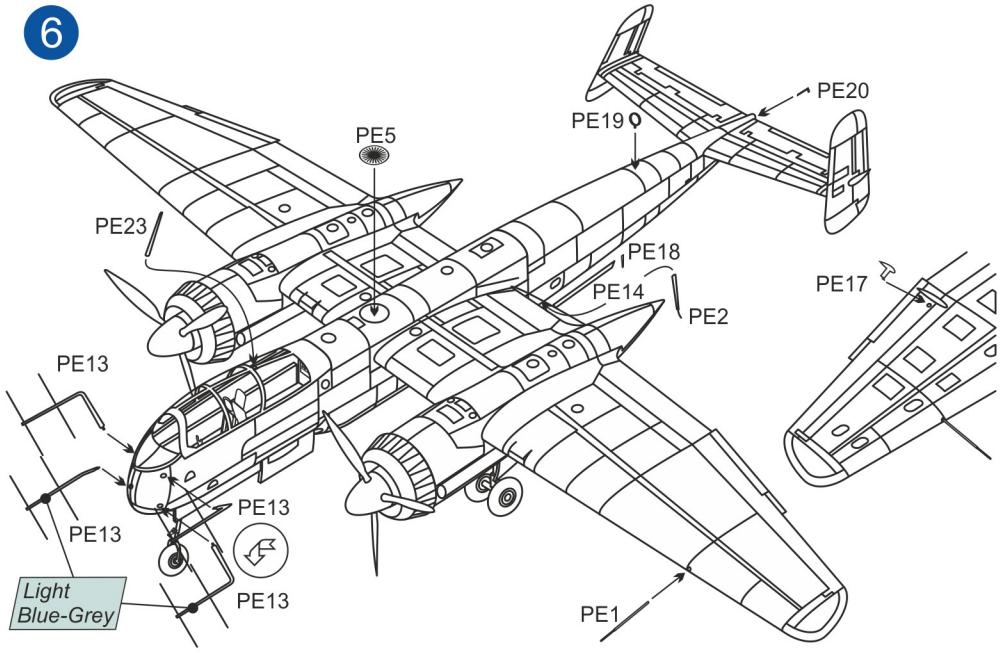
4



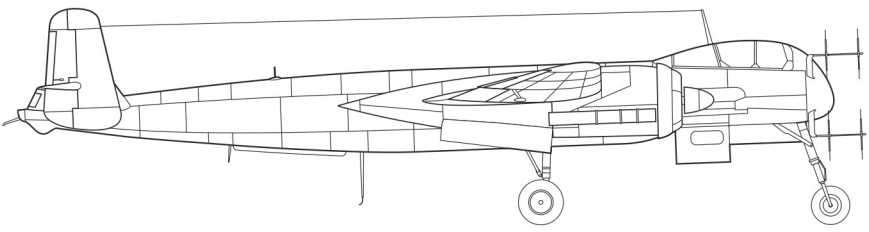
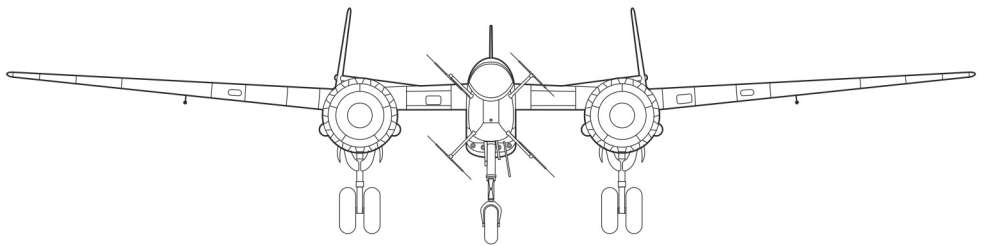
5



6

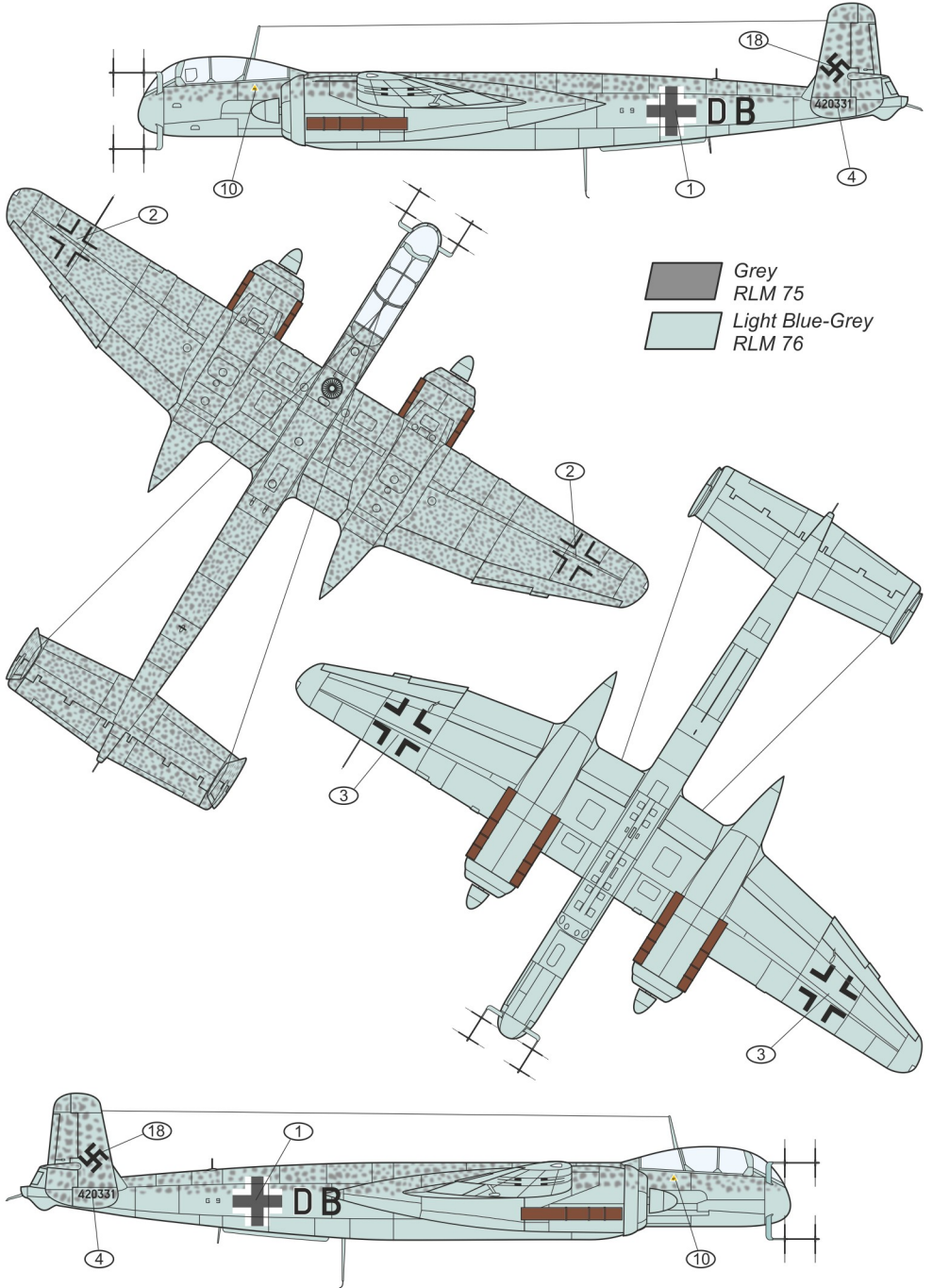


Note:
Due to difficulty in balancing of the model, it is either recommended to include balance weight inside the kit (to the fuselage nose and engines) or to glue it onto the display base supplied with this kit.



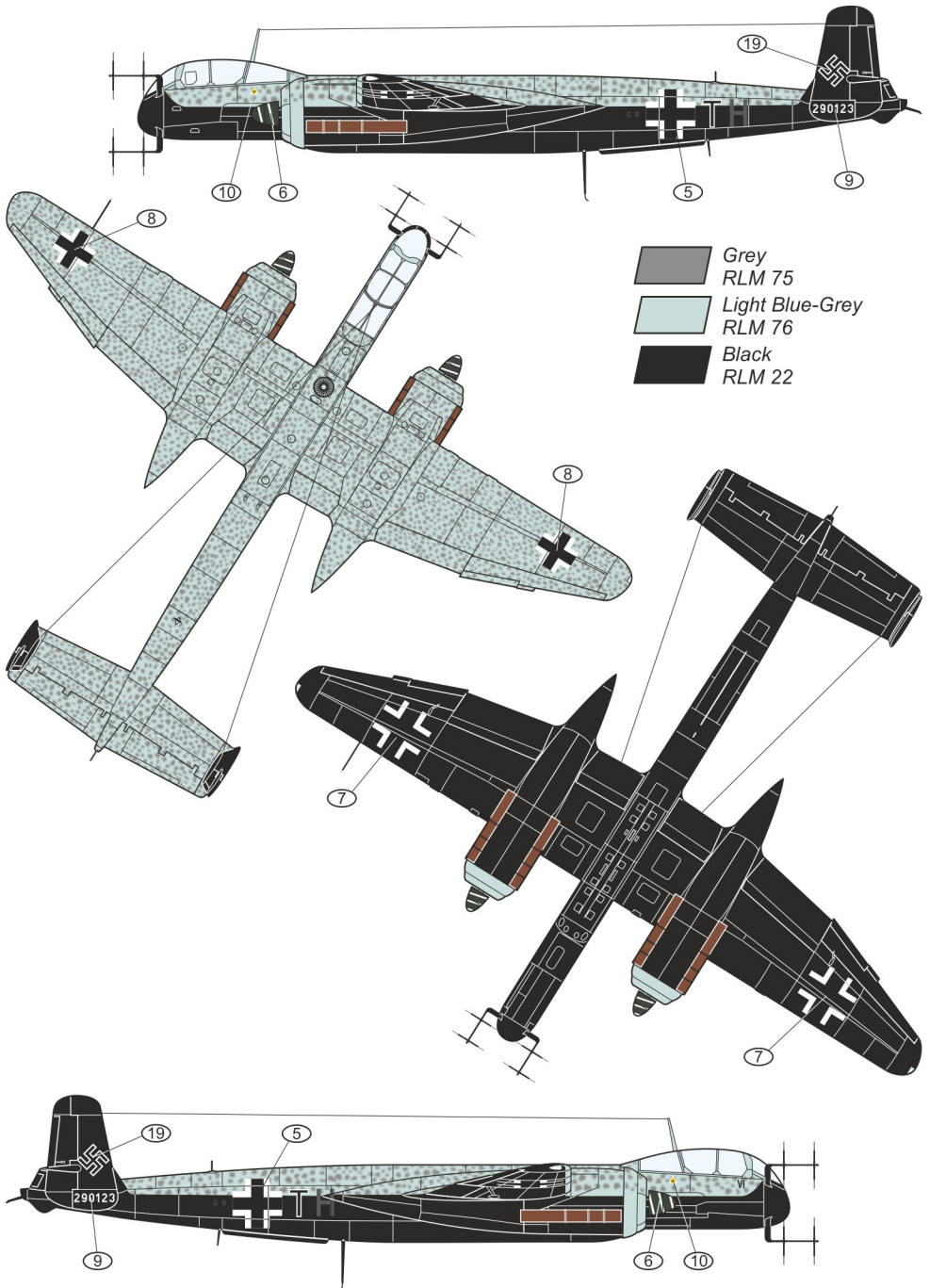


Heinkel He 219A-5, Black G9+DB, Stab I./NJG 1, Luftwaffe, Münster-Handorf Air Base, Germany, January 1945



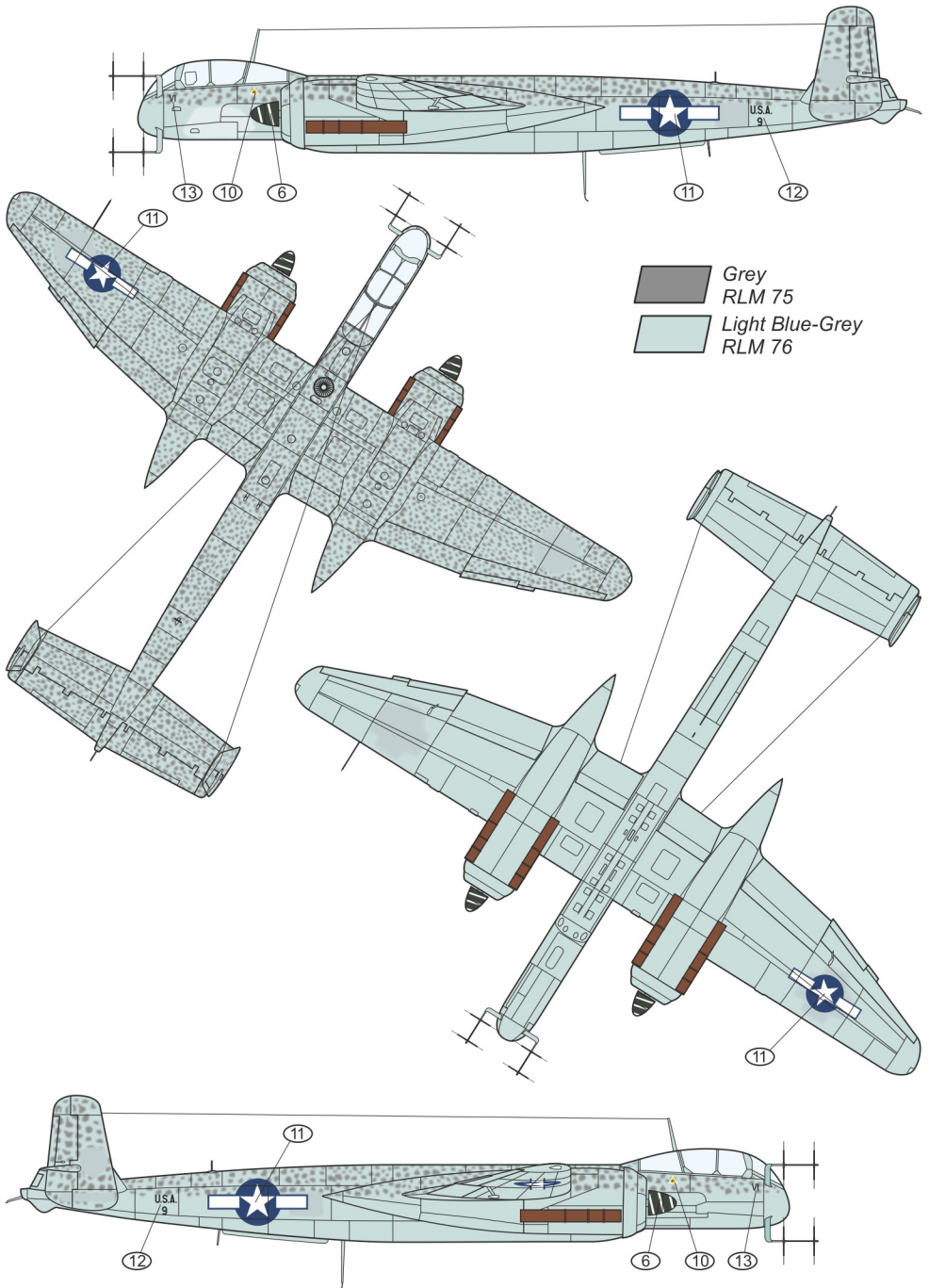
B

Heinkel He 219A-5, Grey G9+TH, I./NJG 1, Luftwaffe, Sylt Air Base, Germany, spring 1945





Heinkel He 219A-5, U.S.A. 9, USAF, Freeman Field Air Base, U.S.A., late 1945





LB-79, White V-29, 51st Fighter Regiment, Czechoslovak Air Force, Plzeň Air Base, Czechoslovakia, autumn 1951

