

# WWII GERMAN ARMORED CAR

## Sd.Kfz.234/2 Puma

1/35 SCALE  
AK35503



**A**

**Bx3**

**C**

**Dx2**

**E**

**F**

**G**

**TG**

**TH**

**MA** Photo-etched parts

**Wx2**

**TF**

**TJ**

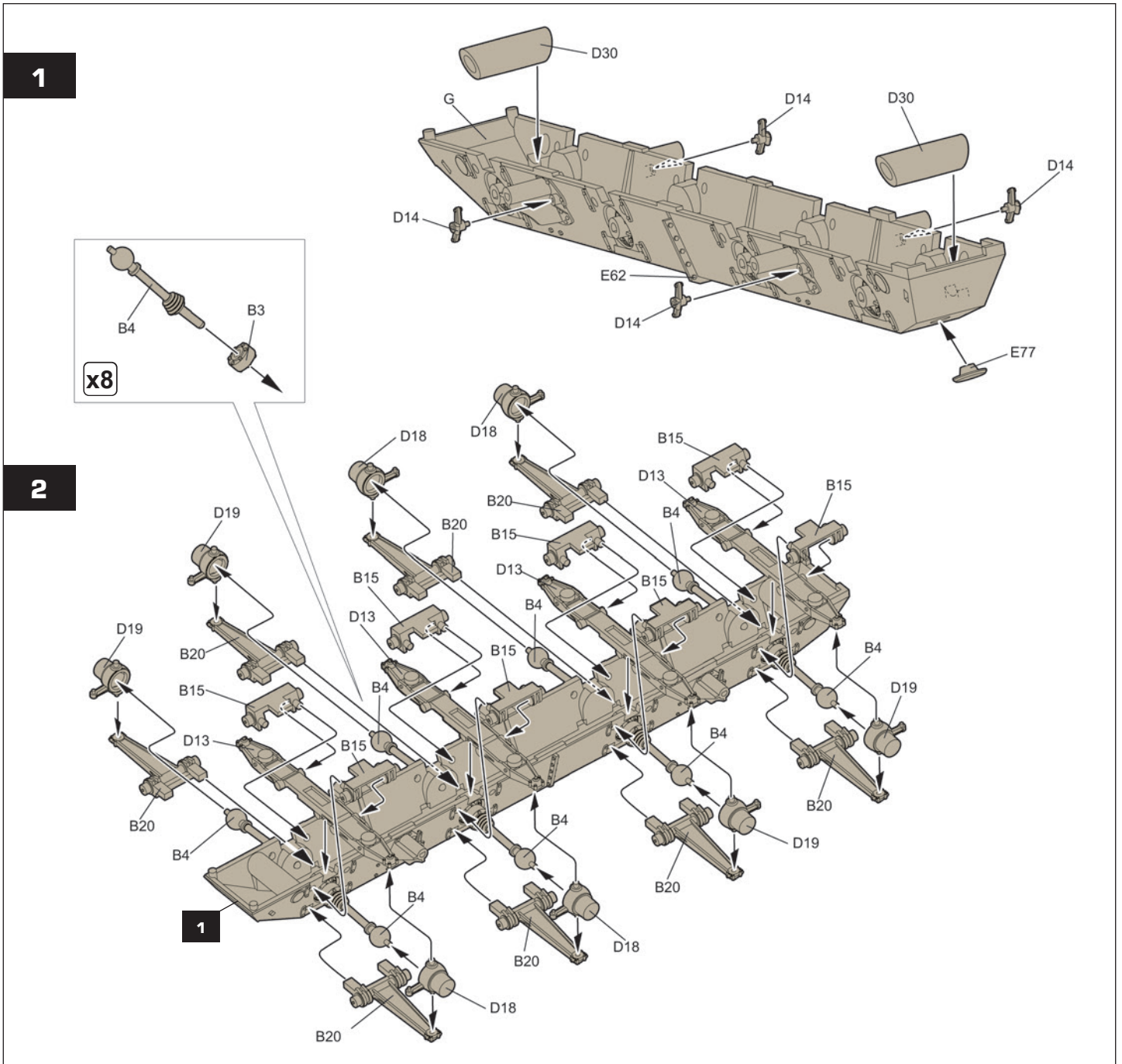
**Q**

**Part not for use**

**CAUTION**

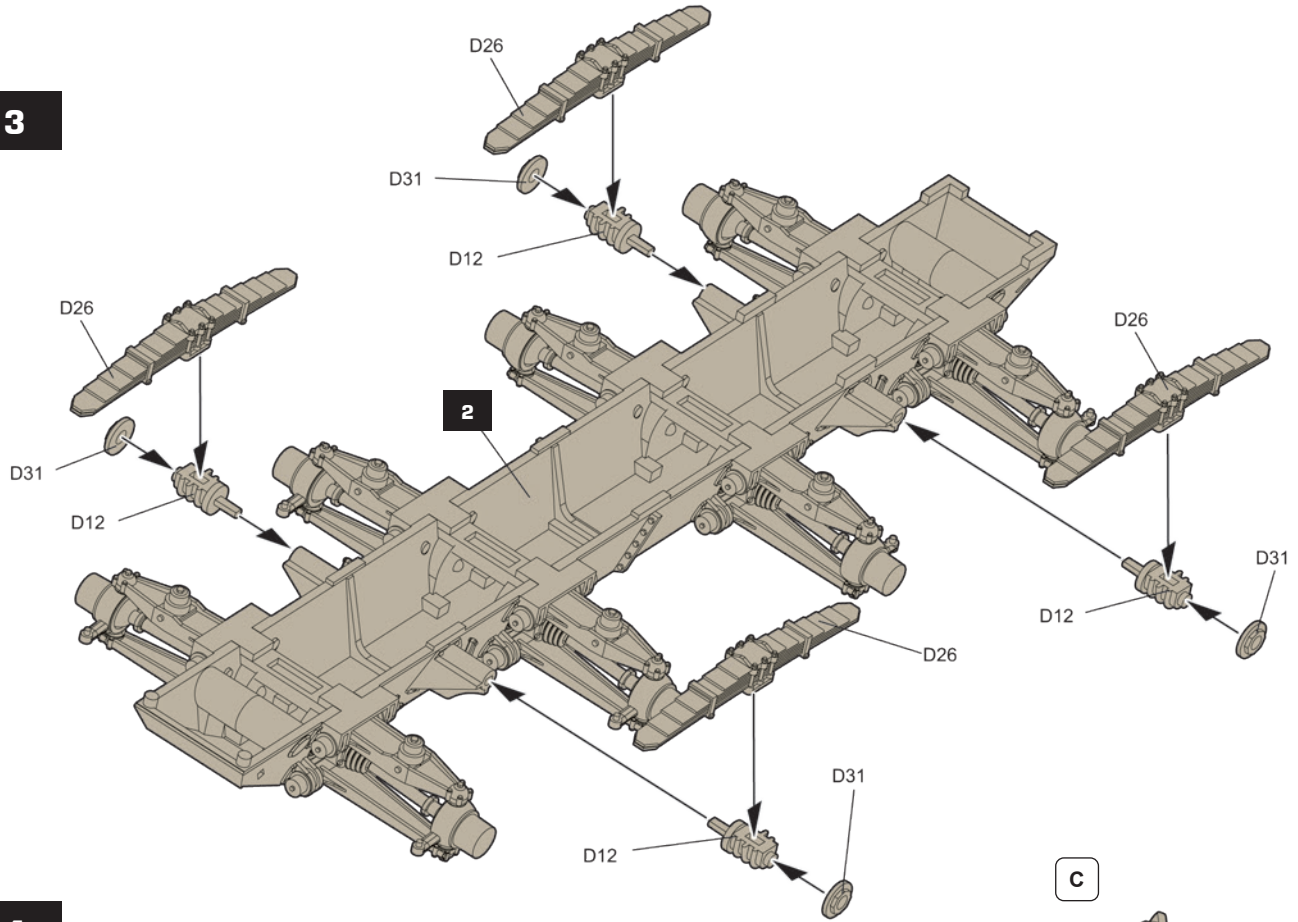
- Glue and paint should always be used in a well-ventilated area. Avoid any open flames. Glue and paint are not included.
- This product is intended for ages 14 to adult, younger children may only assemble it under adult supervision. Those who will assemble the model or supervise the process, are advised to carefully study the user manual before starting the assembly process.
- Please be careful with the tips of tools and parts. Pay special attention to photo-etched parts to avoid scratch or injury. Keep the parts and plastic bags away from children, pets or anyone who needs special care.
- Please check the symbology below and familiarise yourself before building this model kit.

	Color name	AK-Interactive Real Colors	AK-Interactive Acrylics
<b>a</b>	RAL 7028 Dark Yellow	RC060	AK11318
<b>b</b>	RAL 6003 Olive Green	RC047	AK11309
<b>c</b>	RAL 8017 Red Brown	RC068	AK11330
<b>d</b>	Gun Metal	RC015	AK11212
<b>e</b>	Wood Base	RC014	AK11351
<b>f</b>	Rubber Black	RC022	AK11027
<b>g</b>	Periscope Shade	RC257	AK11190
<b>h</b>	White	RC004	AK11001

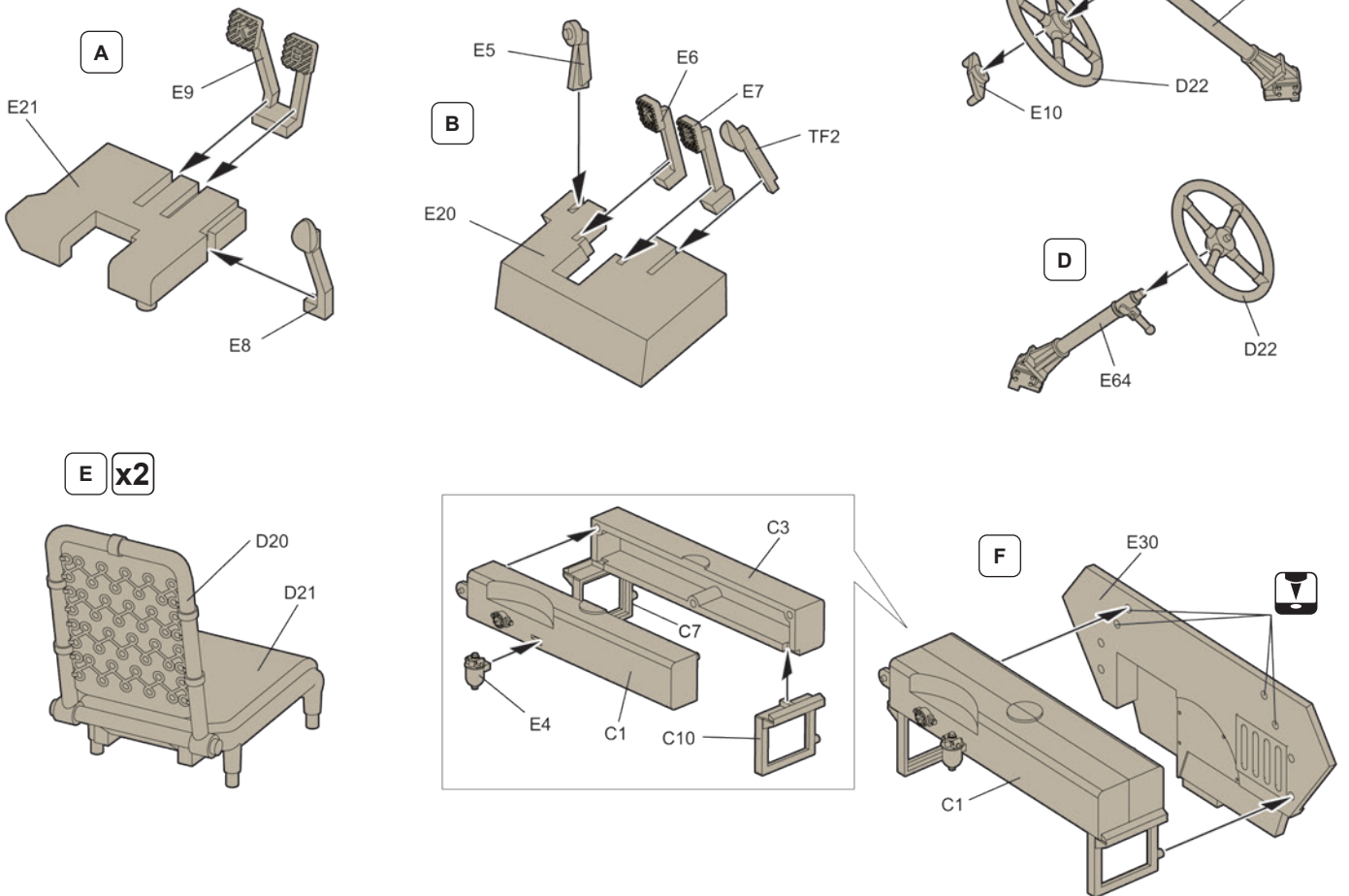


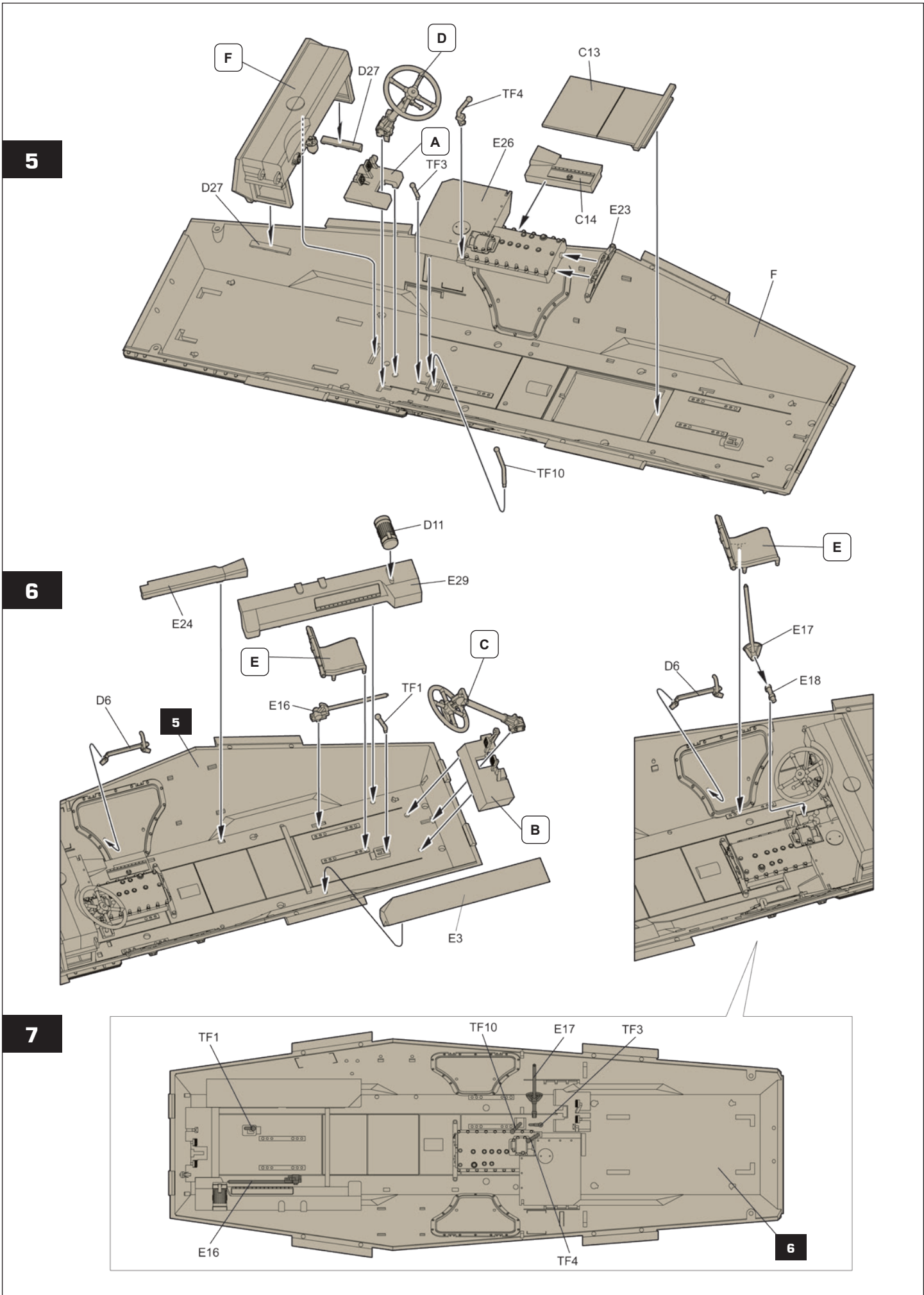


3

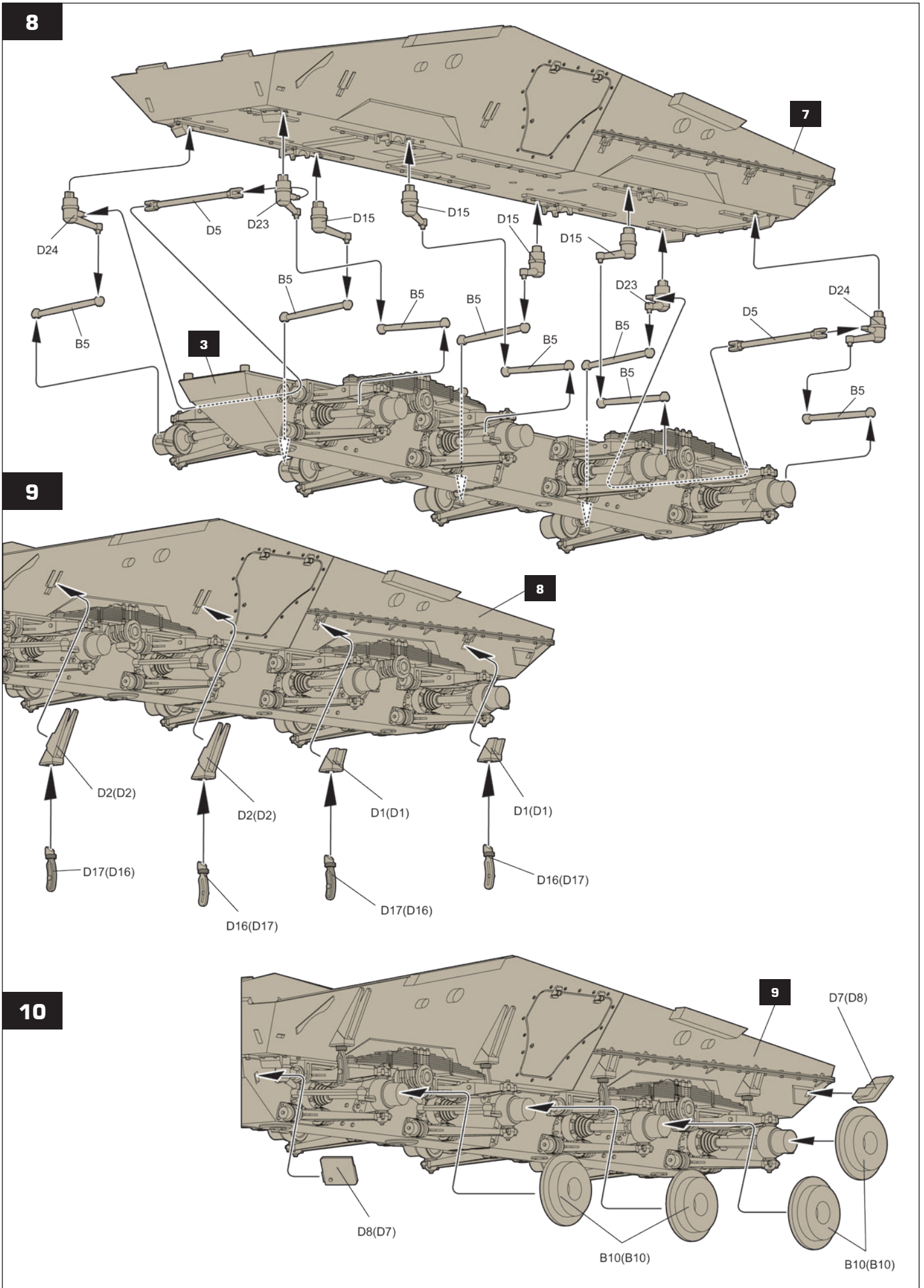


4

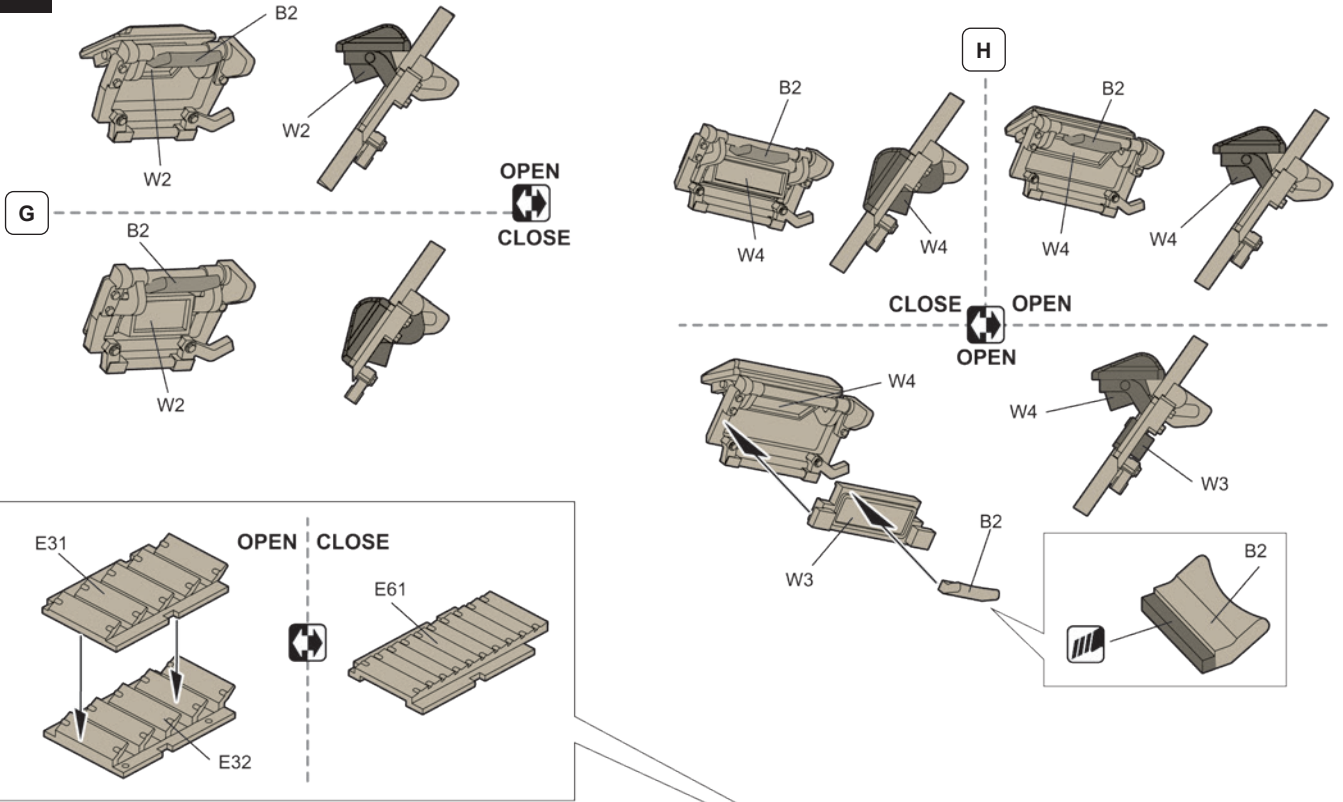




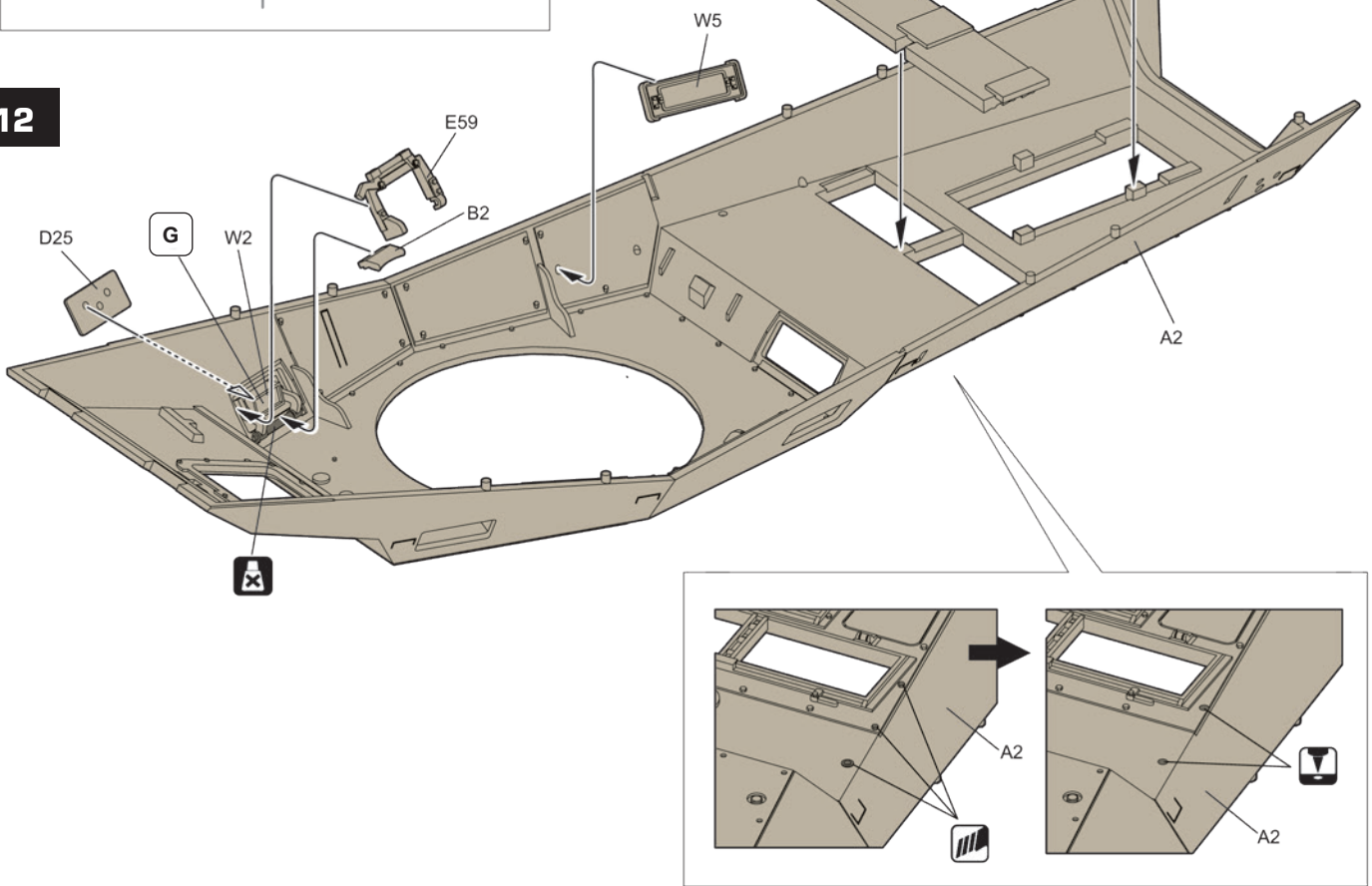




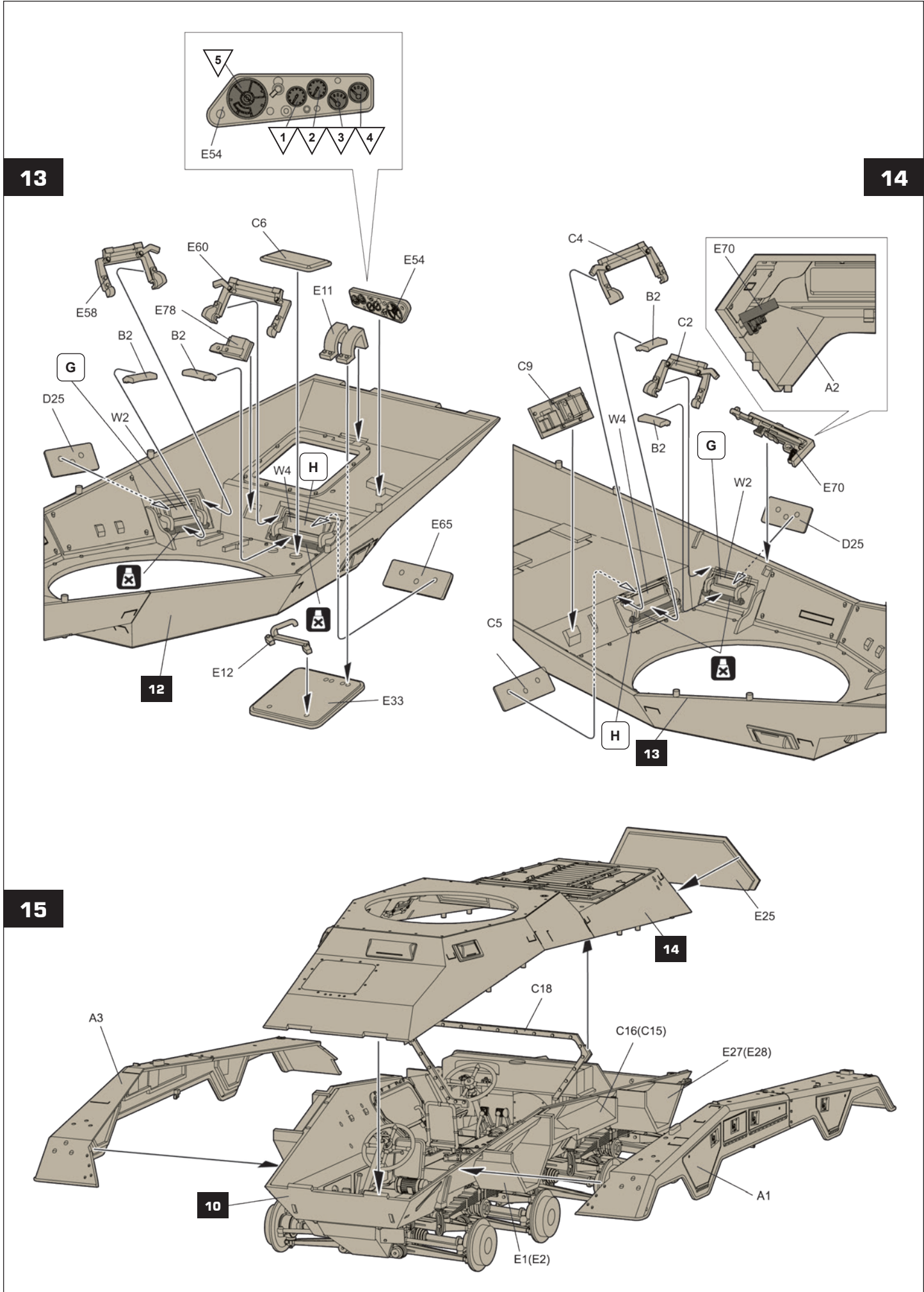
11



12

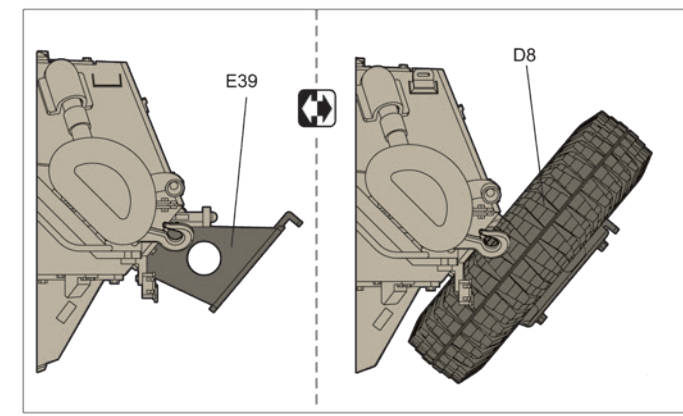
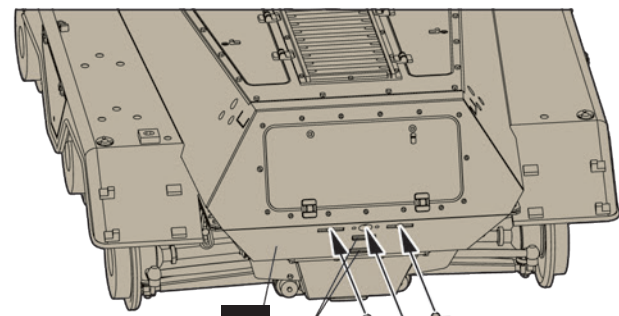
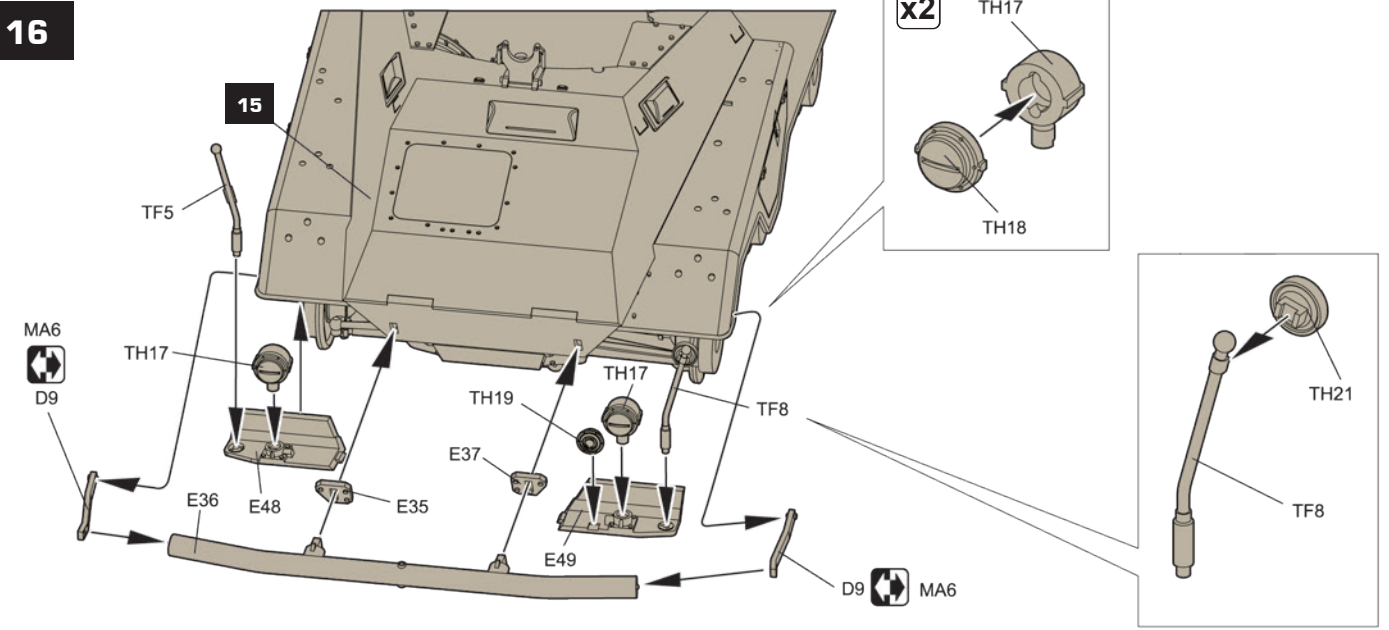




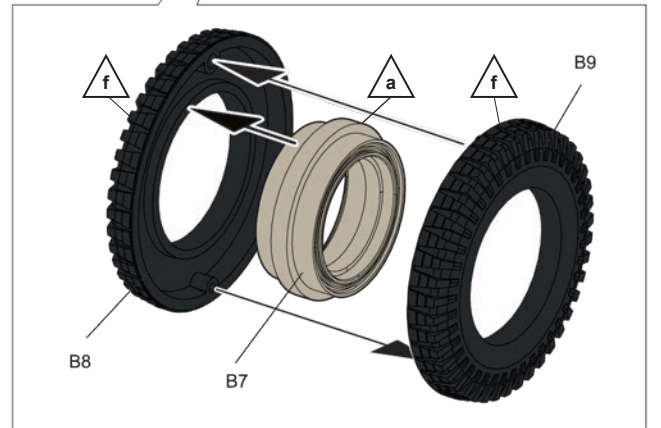
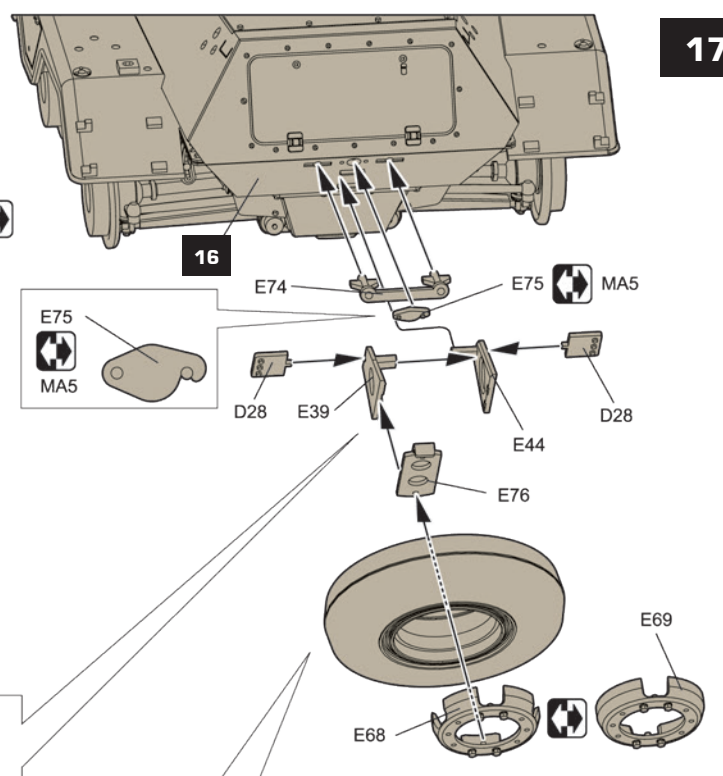


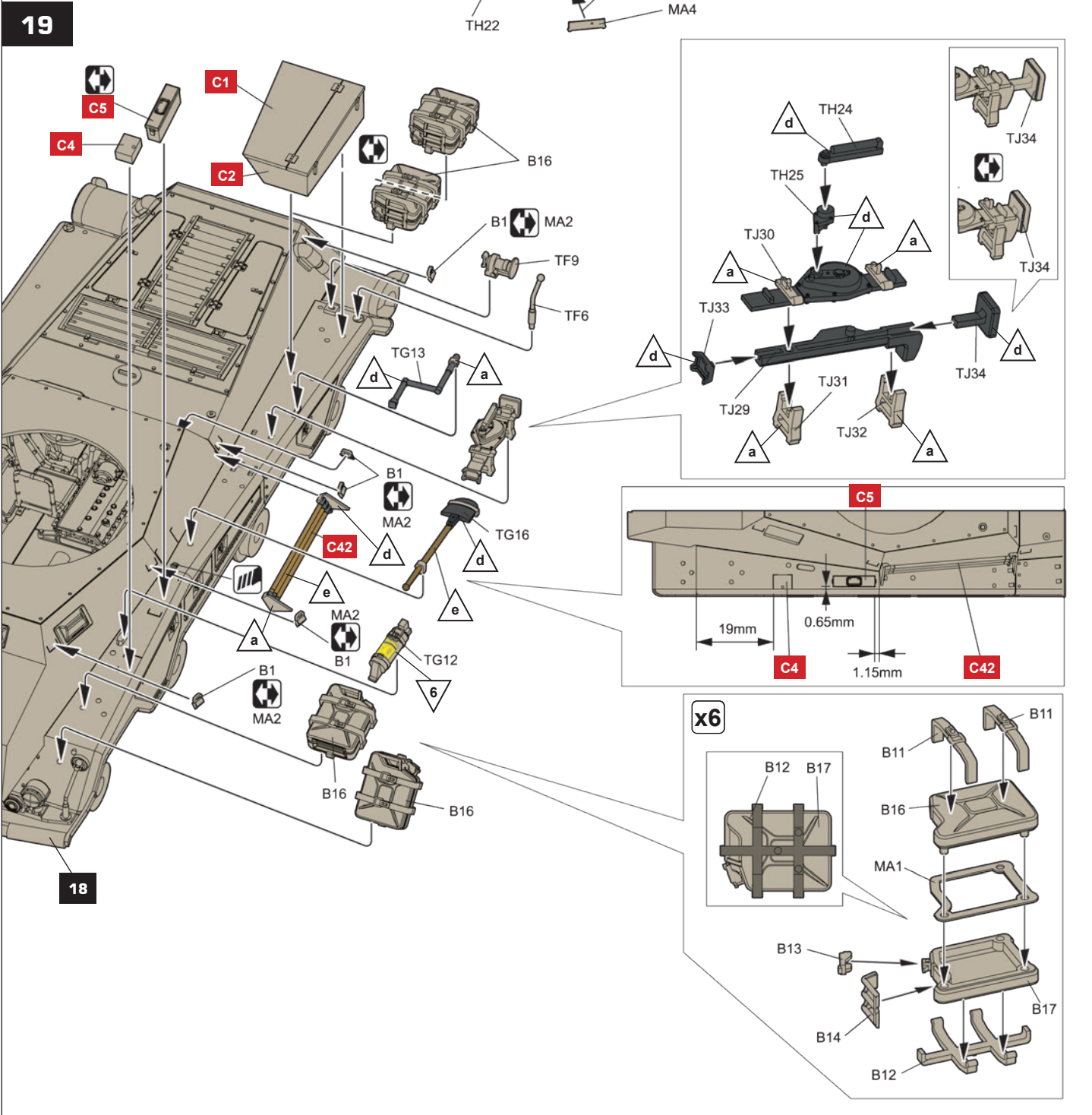
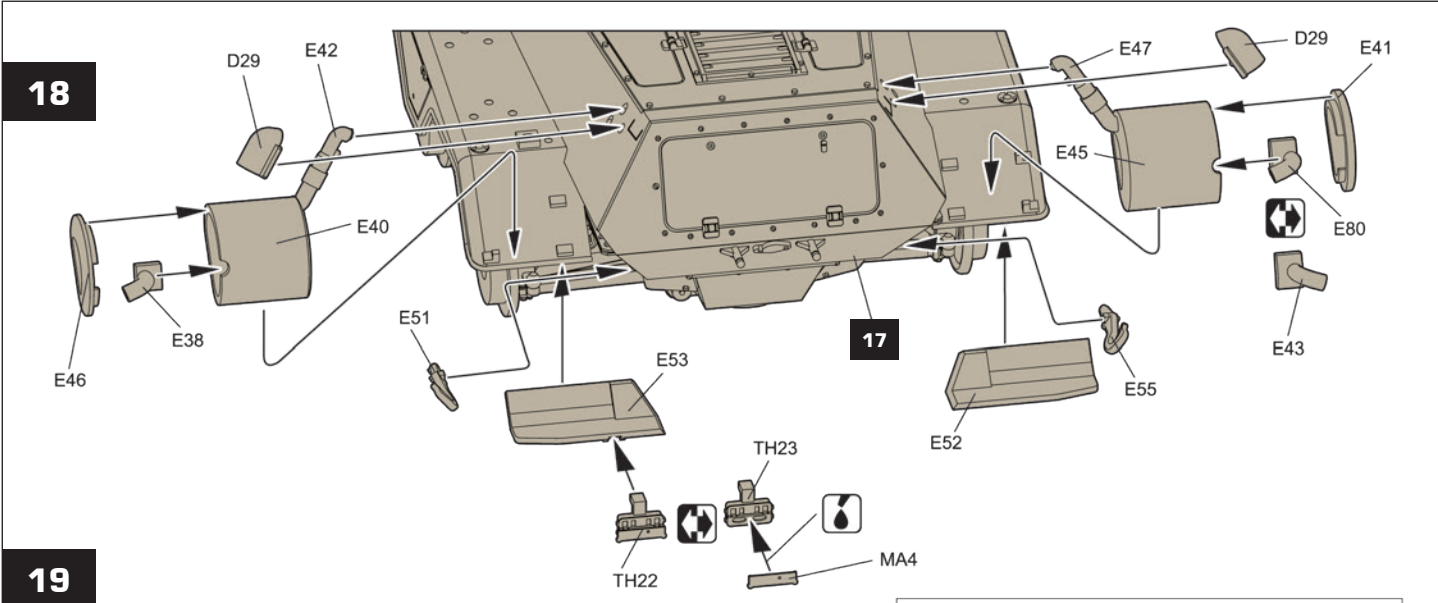


16

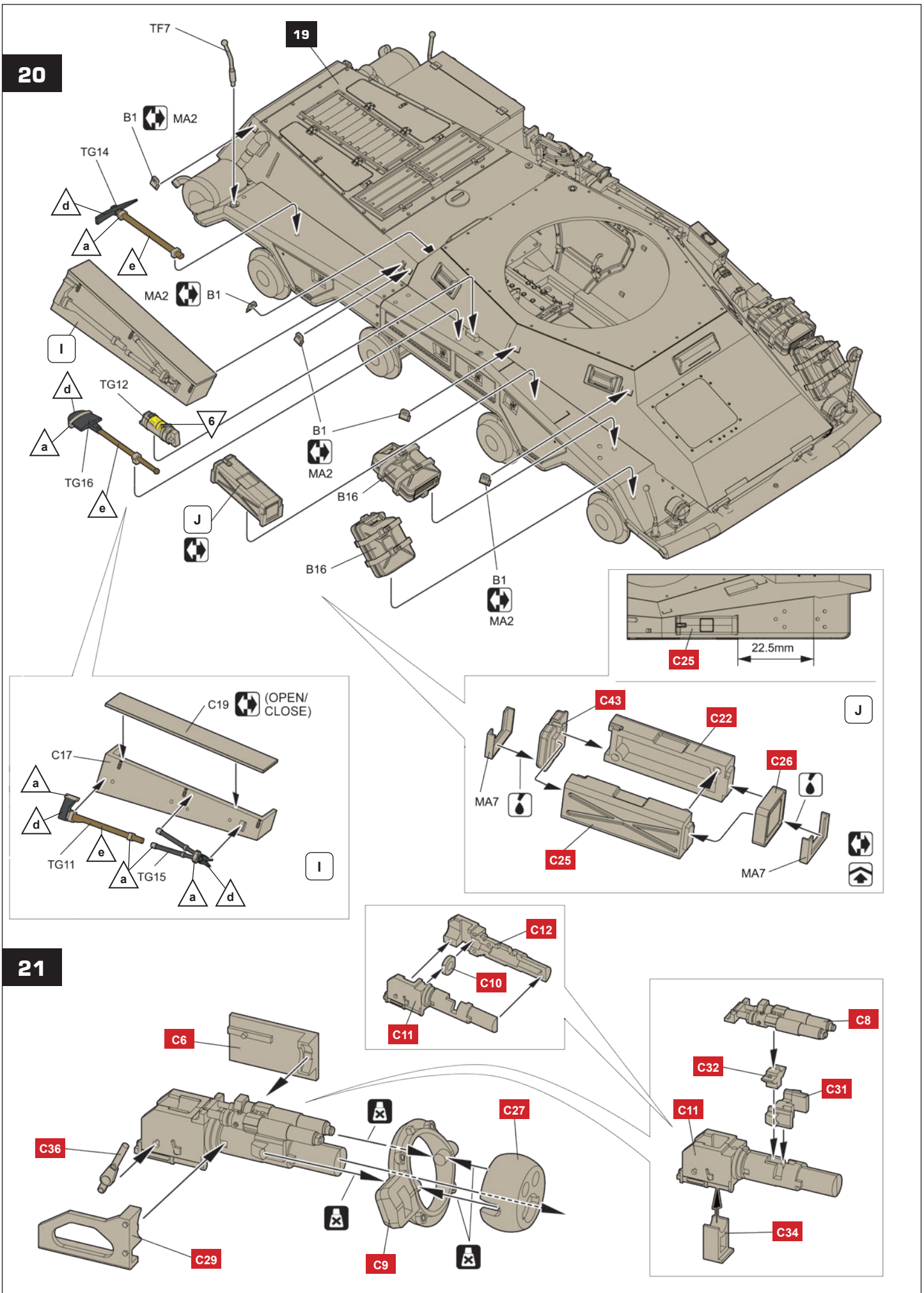


17

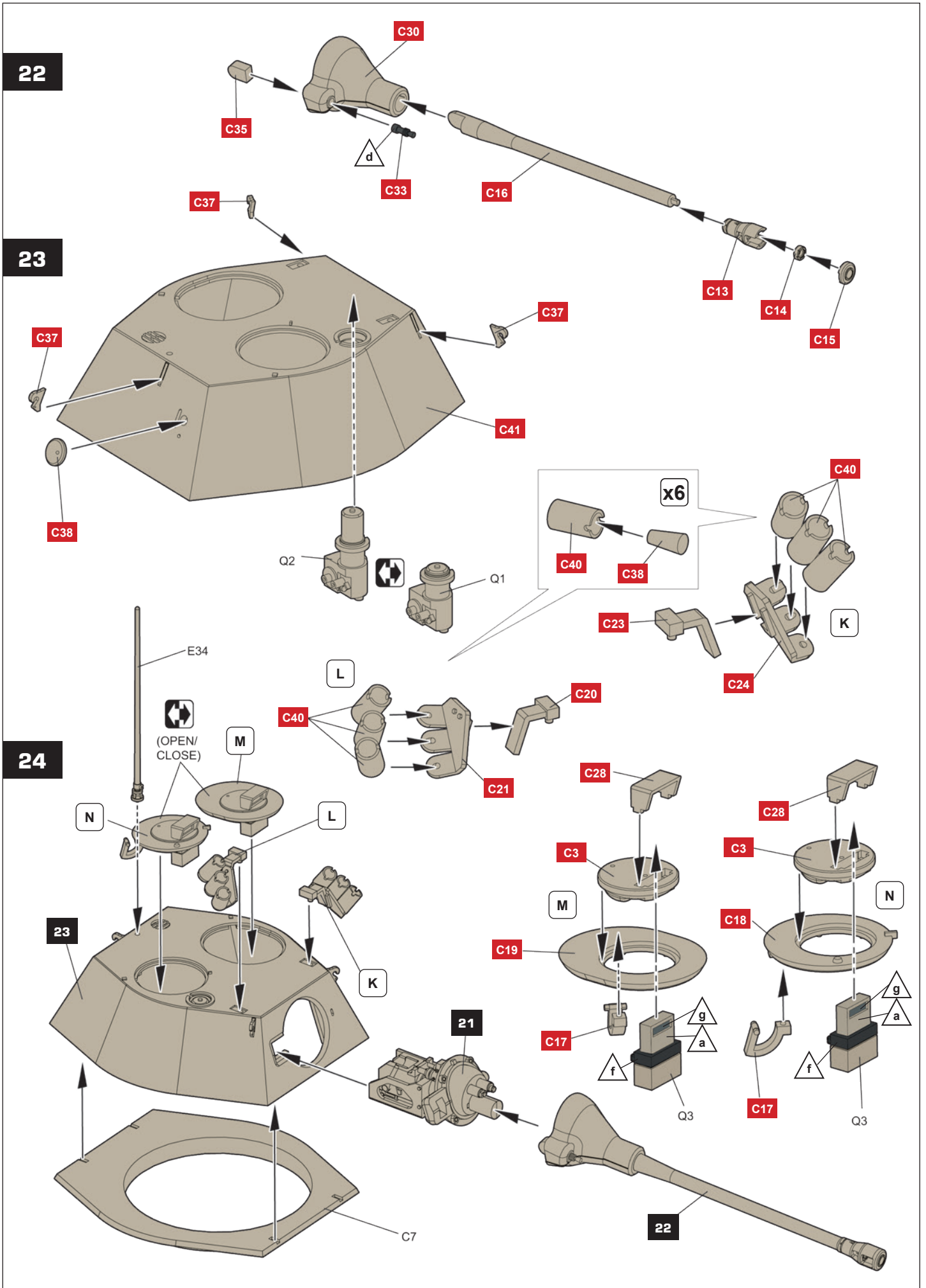




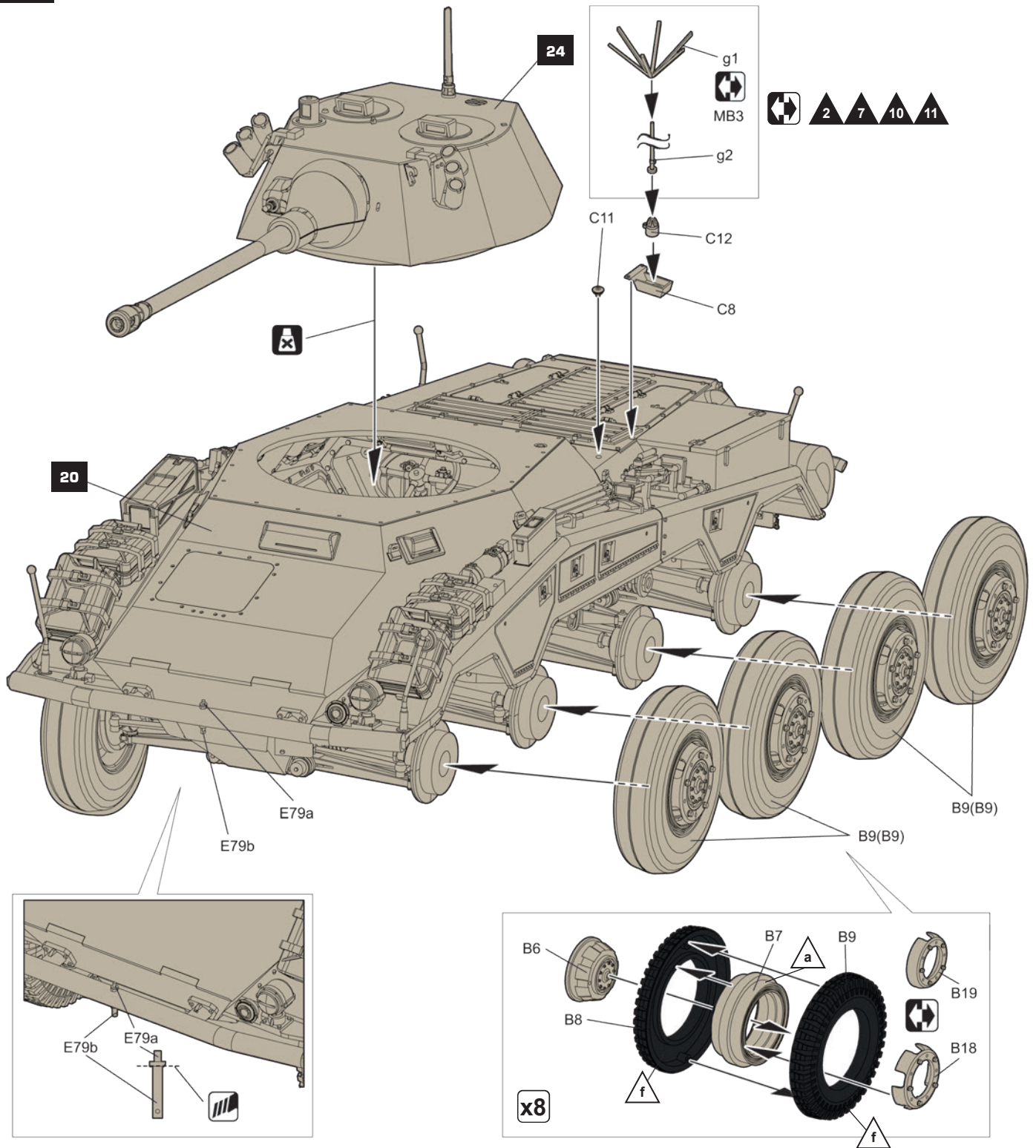






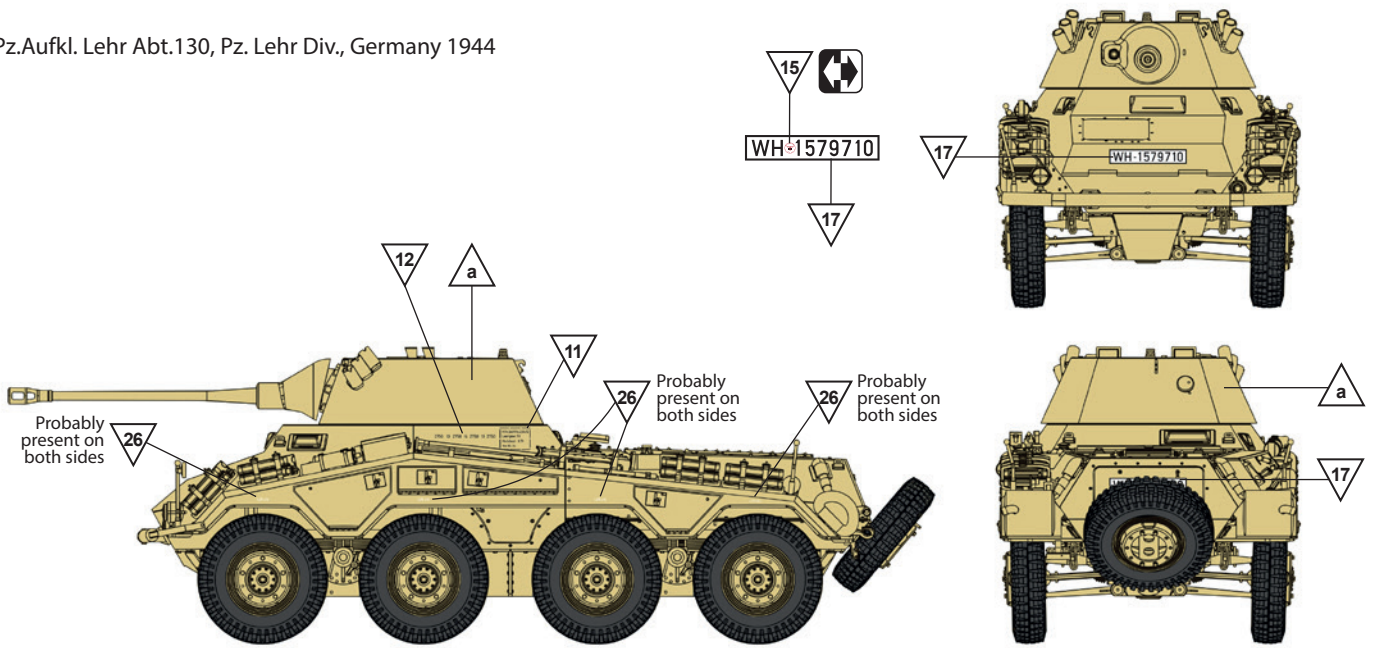


25

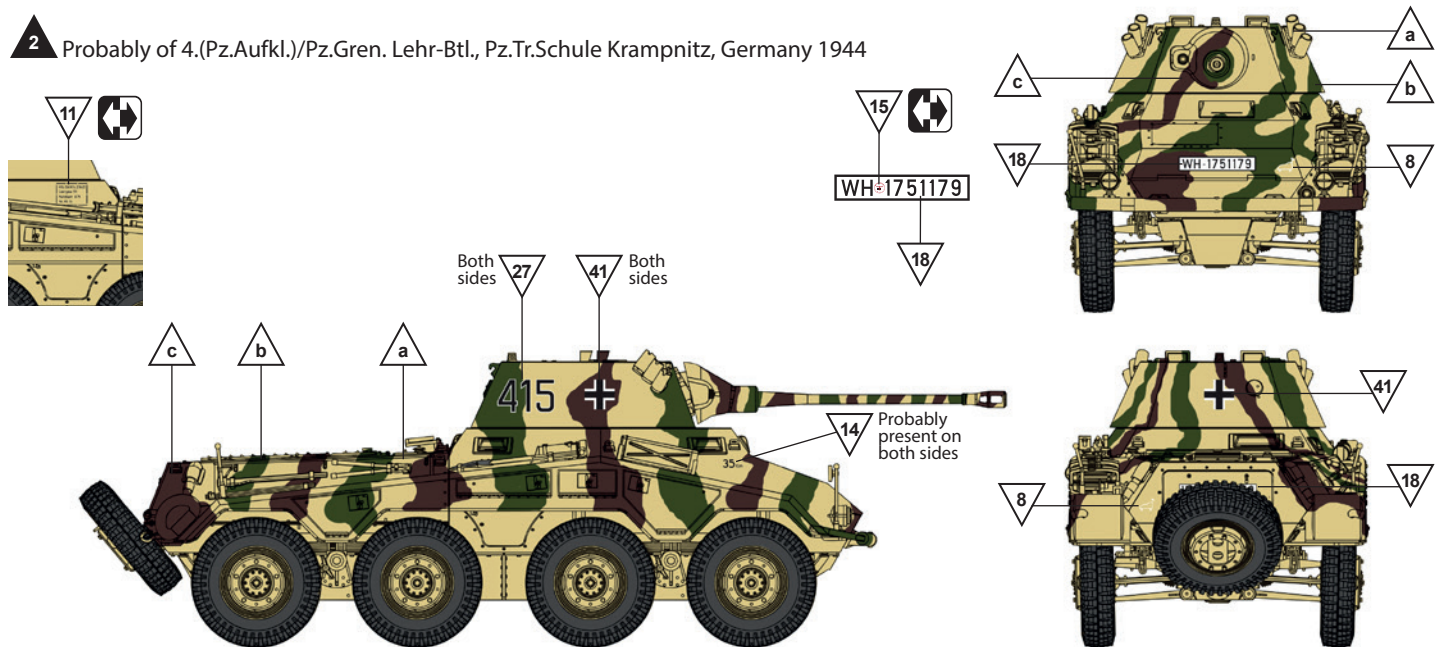




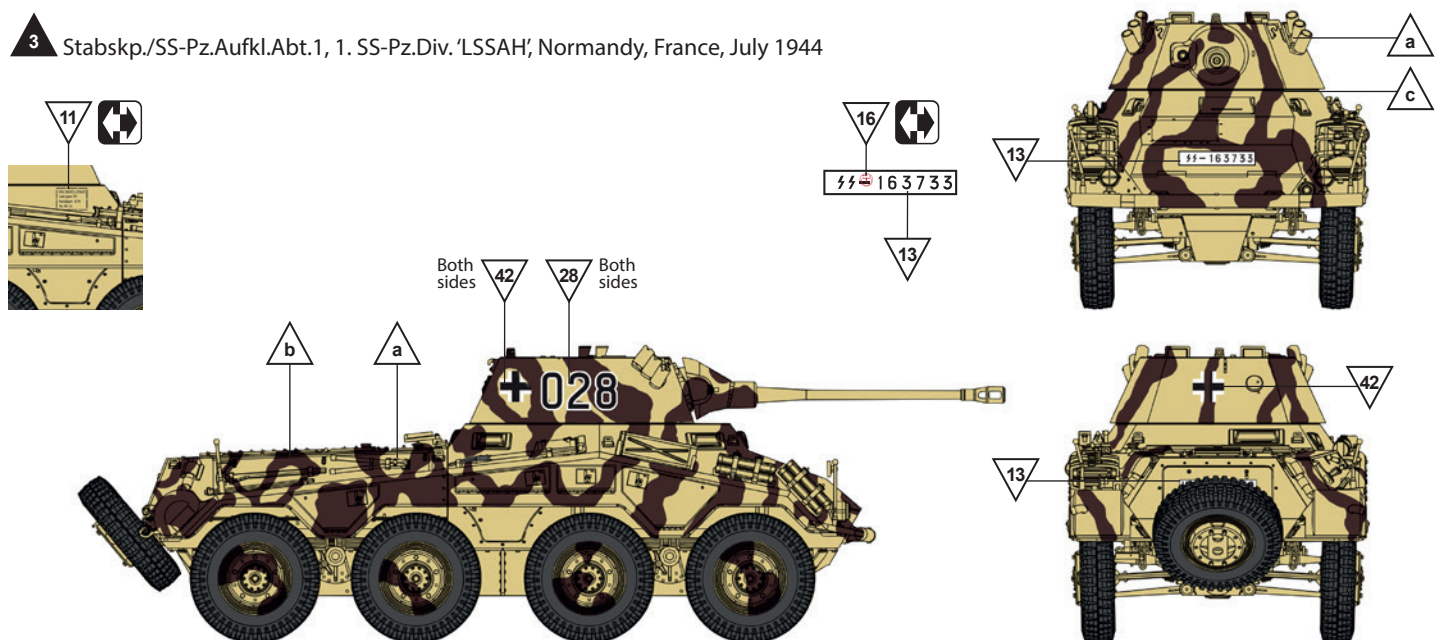
1 Pz.Aufkl. Lehr Abt.130, Pz. Lehr Div., Germany 1944



2 Probably of 4.(Pz.Aufkl.)/Pz.Gren. Lehr-Btl., Pz.Tr.Schule Kramnitz, Germany 1944

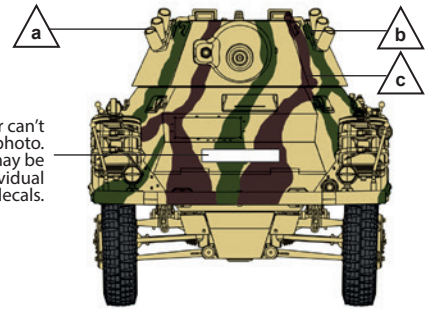
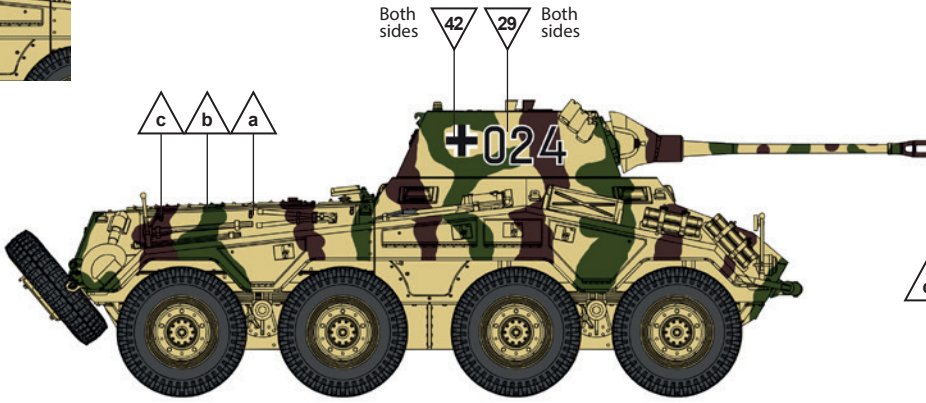
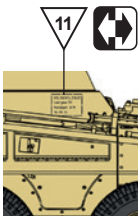


3 Stabskp./SS-Pz.Aufkl.Abt.1, 1. SS-Pz.Div. 'LSSAH', Normandy, France, July 1944

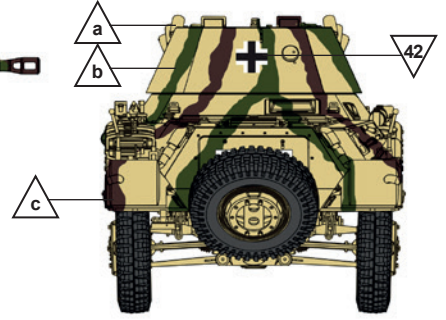




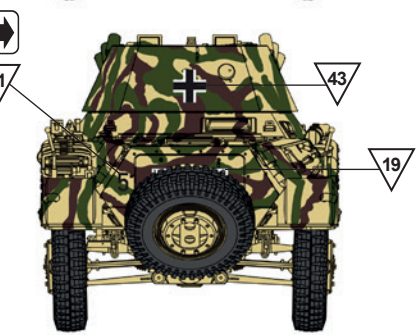
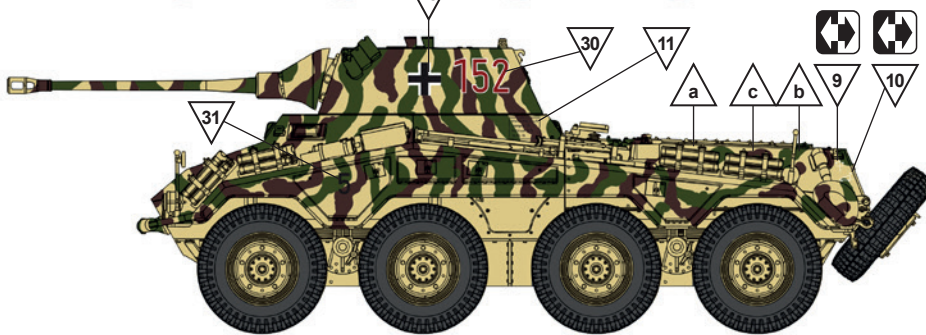
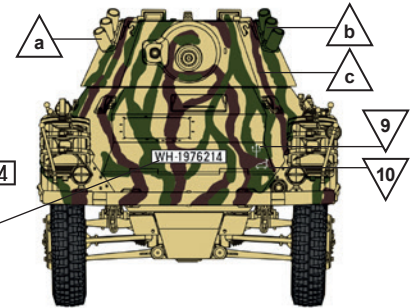
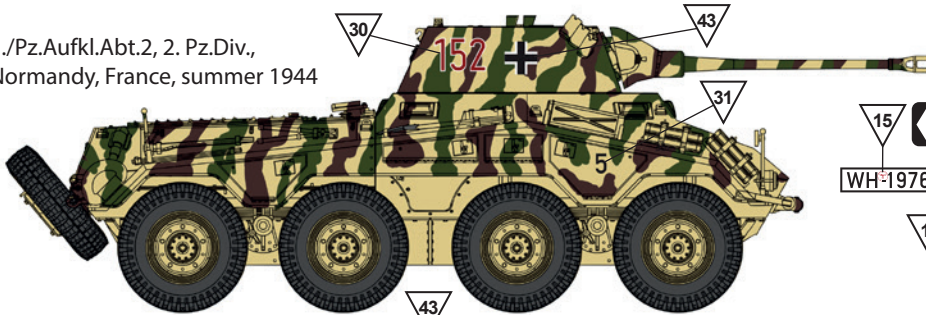
4 Stabskp./SS-Pz.Aufkl.Abt.1, 1. SS-Pz.Div. 'LSSAH', Laon, France, late August 1944



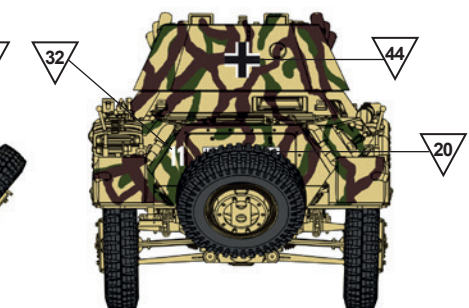
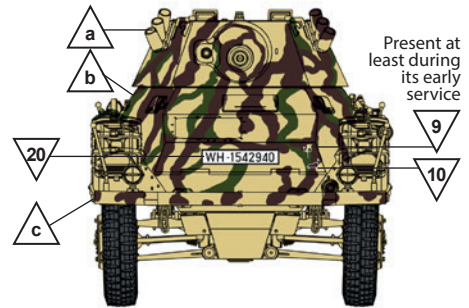
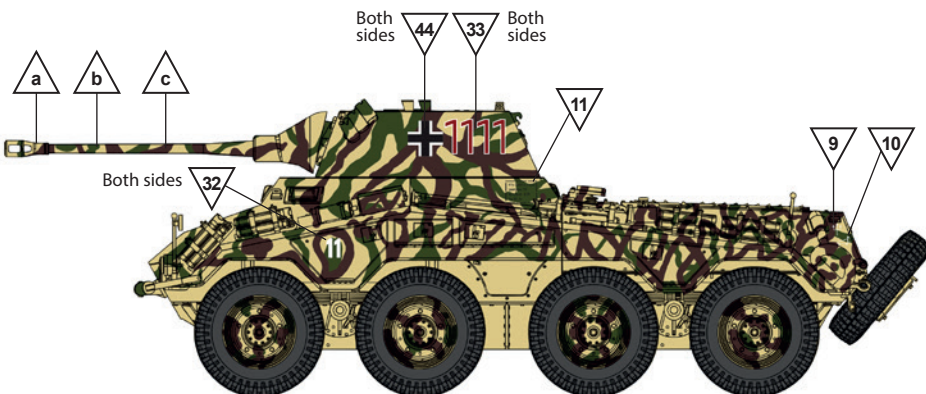
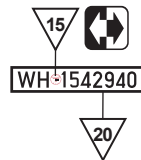
The licence plate number can't be determined from the photo.  
A probable number may be assembled from the individual numerals inc. in decals.



5 1./Pz.Aufkl.Abt.2, 2. Pz.Div., Normandy, France, summer 1944



6 1./Pz.Aufkl.Abt.2, 2. Pz.Div., Normandy, France, summer 1944

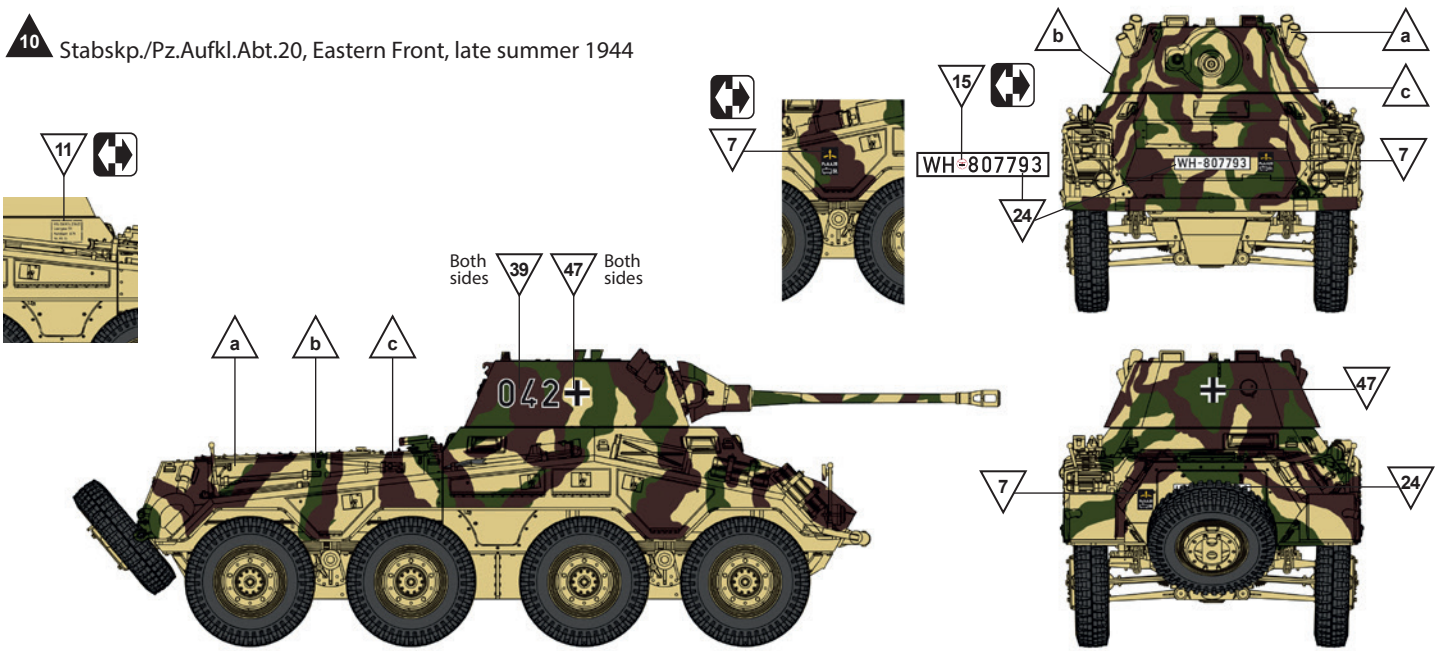




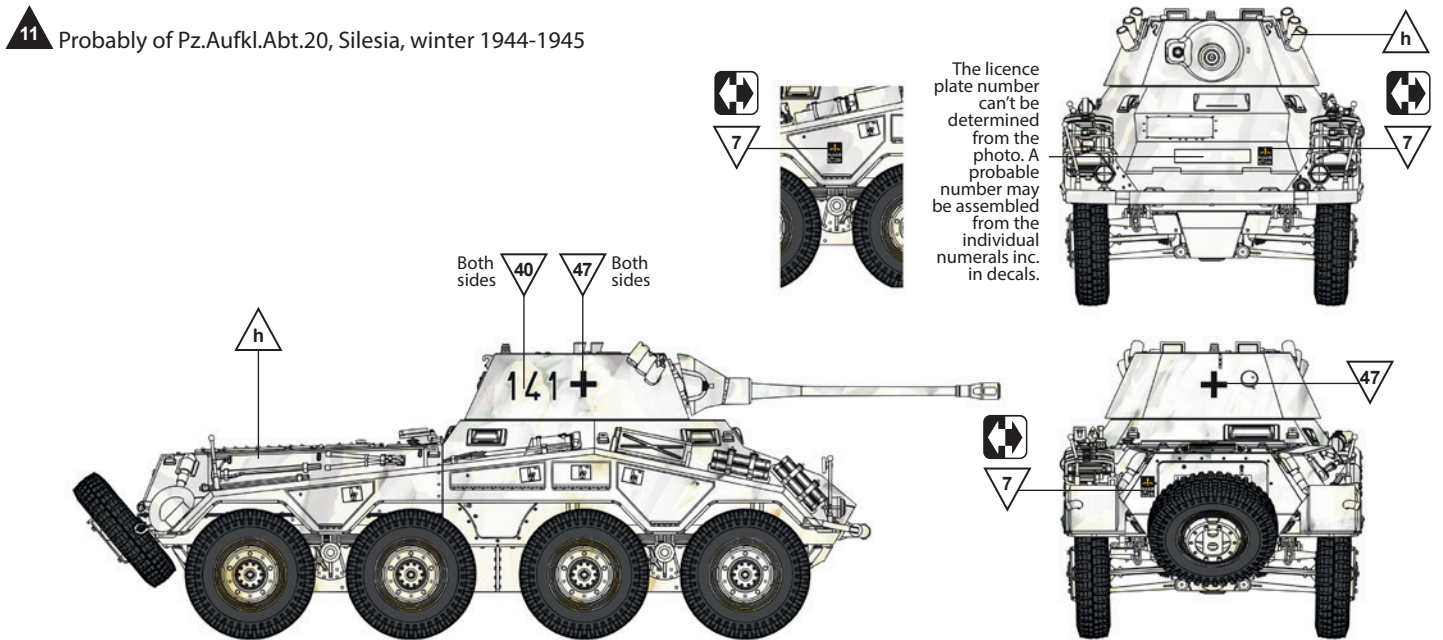




10 Stabskp./Pz.Aufkl.Abt.20, Eastern Front, late summer 1944



11 Probably of Pz.Aufkl.Abt.20, Silesia, winter 1944-1945



12 Pz.Aufkl.Abt.7, 7. Pz.Div., Eastern Pomerania, March 1945

**Note:** Some small decals are provided in larger quantities than necessary so the modeller will have spares in case that something goes wrong during the application process or simply for use on other models.

