



Photo: Ian Harding

F-16C Block 52+

343 Mira was the second squadron to receive the brand-new block 52 version of the Fighting Falcon within the Hellenic Air Force. The squadron had been disbanded in 2001 with the F-5 being withdrawn from use. The fact that 343 Mira – together with its sister squadron 340 Mira - was chosen to fly the new jet reflects the importance the Greek government and military emphasise on a strong presence in the Aegean region, being based at Souda AB on the island of Crete.

The unit, under the command of LT.Colonel P.Georgakopoulos, participated at the international exercise INVITEX "RED FLAG 09-1/2008", hosted by the USAF.

The unit scored exceptional performance during the exercise, gathering the most flattering comments among the allied forces. The Hellenic crews are very experienced as they fly combat missions every day, intercepting and dog fighting Turkish F-16C, violating the Greek air space every day, political game play.

Rumors say that the Aggressors Squadron was beaten 17 to 1 kills, when HAF planes were on SEAD missions

H1	1	White
H2	2	Black
H4	4	Yellow
H5	5	Blue
H8	8	Silver
H9	9	Gold
H52	12	Olive Drab

H18	28	Steel
H12	33	Flat Black
H90	47	Clear Red
H91	48	Clear Yellow
H50	50	Clear Blue
H76	61	Brunt Iron
H28	78	Metal Black

H305	305	Gray FS36118
H306	306	Gray FS36270
H307	307	Gray FS36320
H308	308	Gray FS36375

H1 GSI Creos Aqueous Hobby color

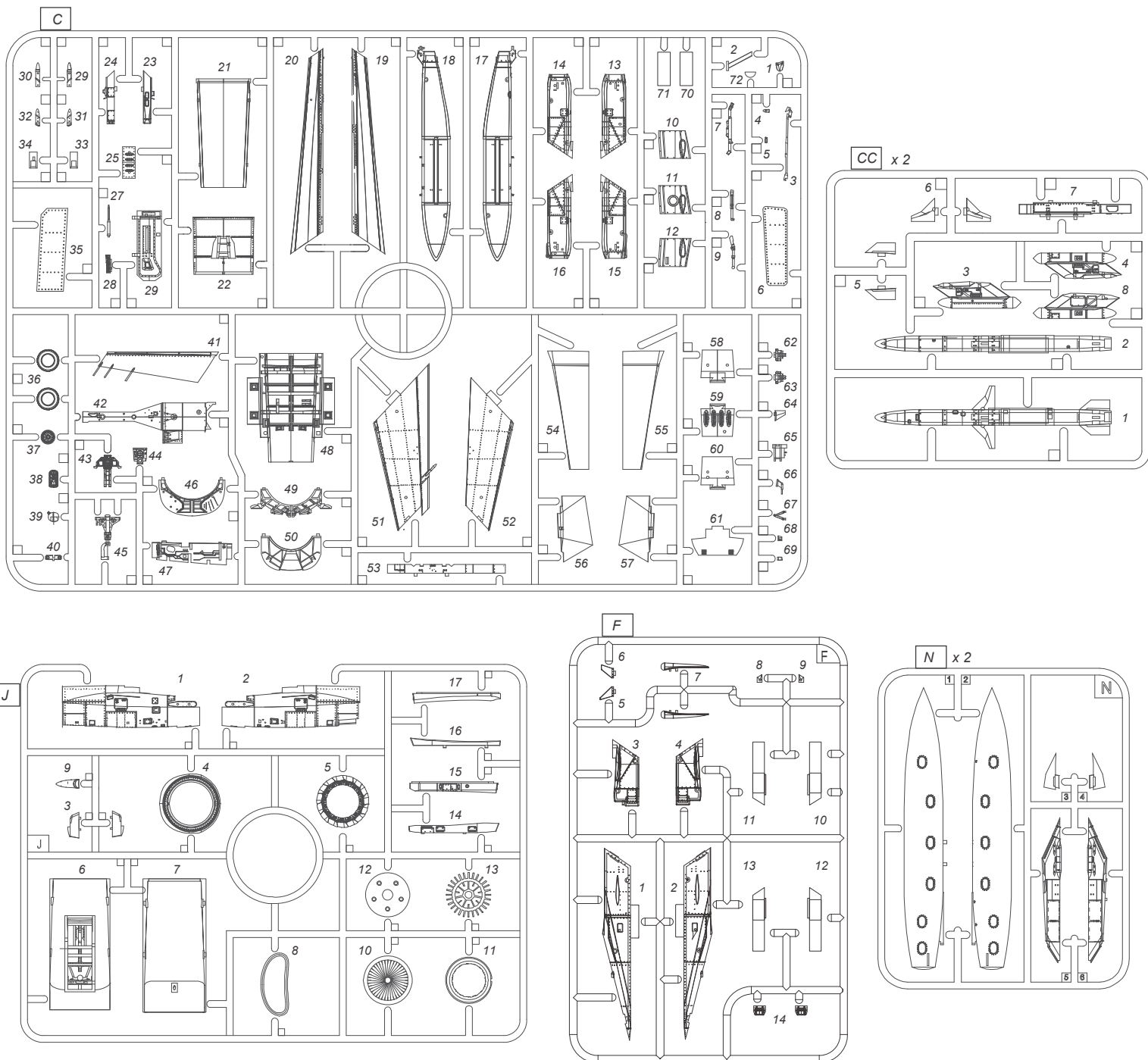
1 GSI Mr.Color

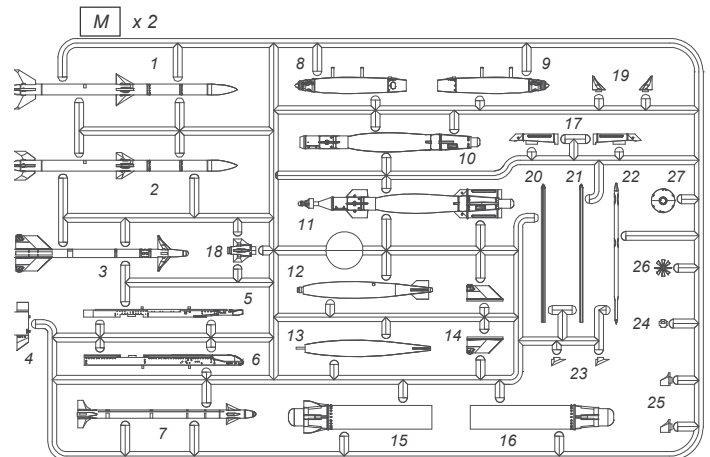
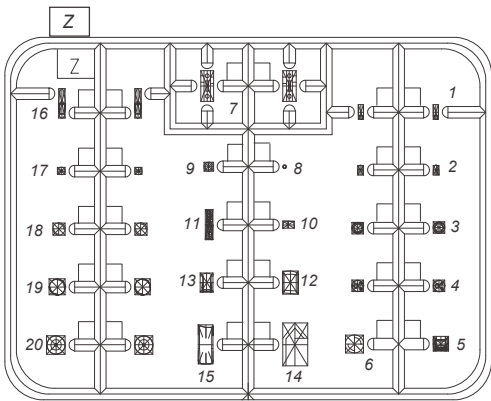
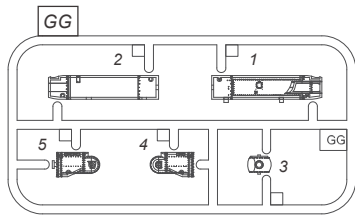
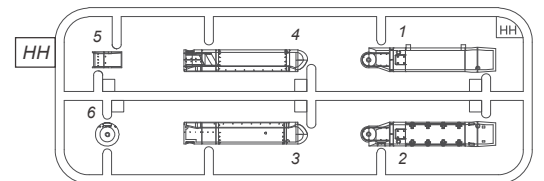
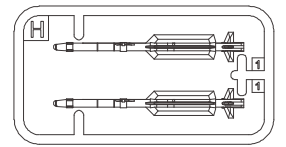
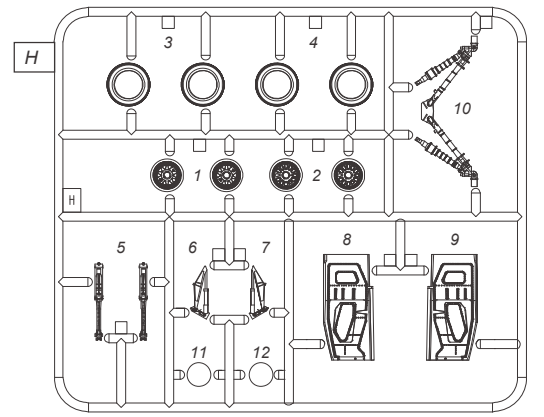
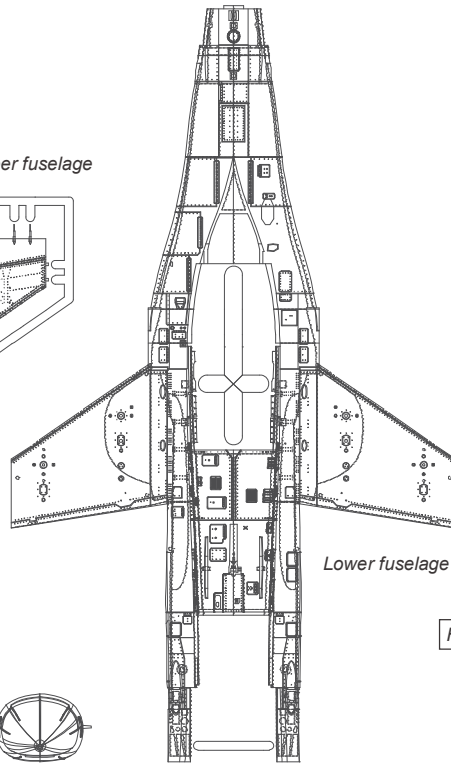
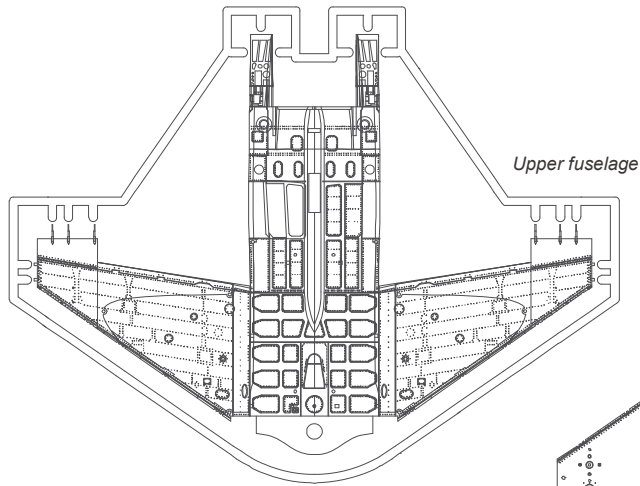
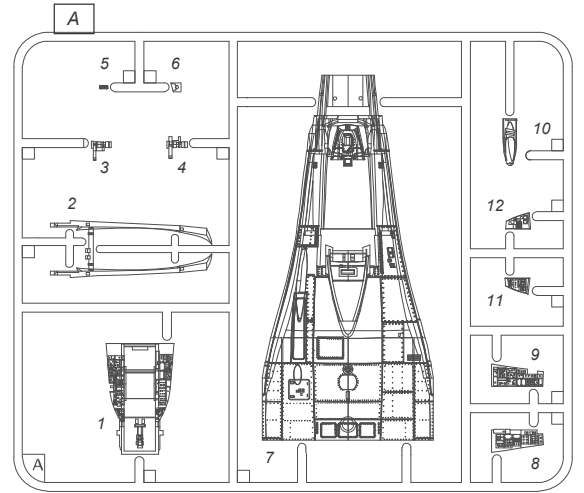
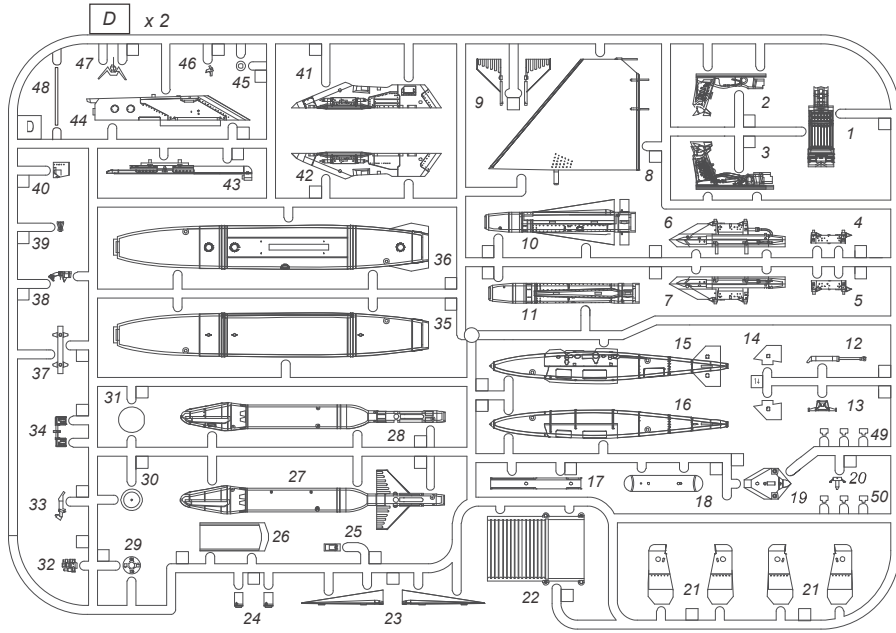
Glue is not included in this kit.

! CAUTION

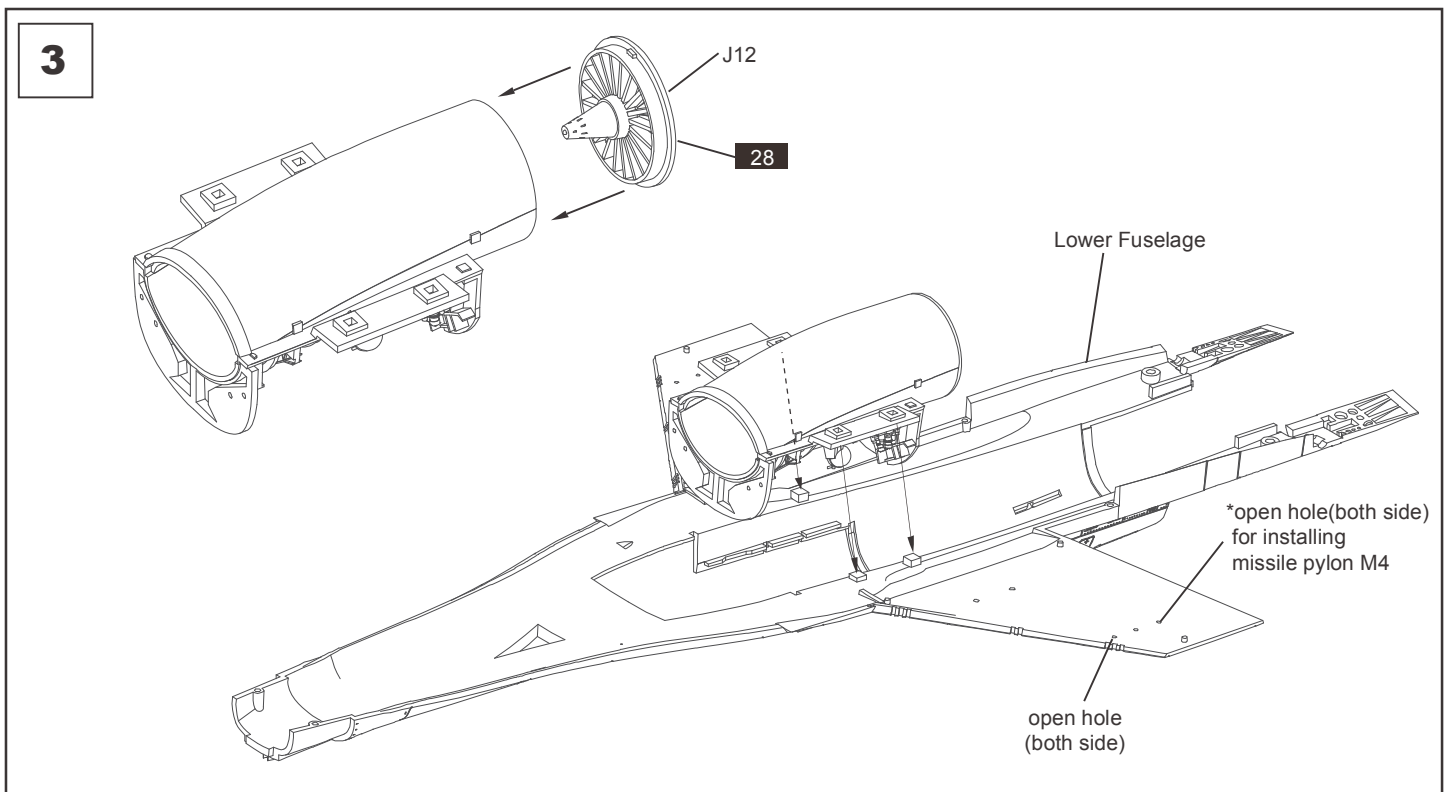
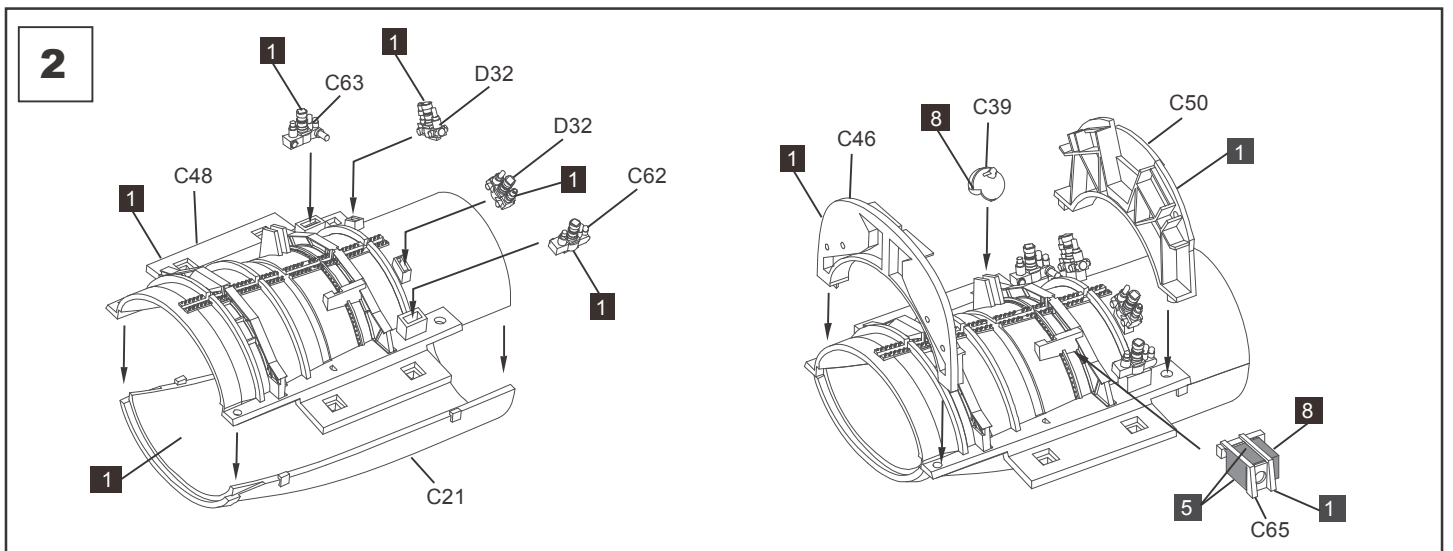
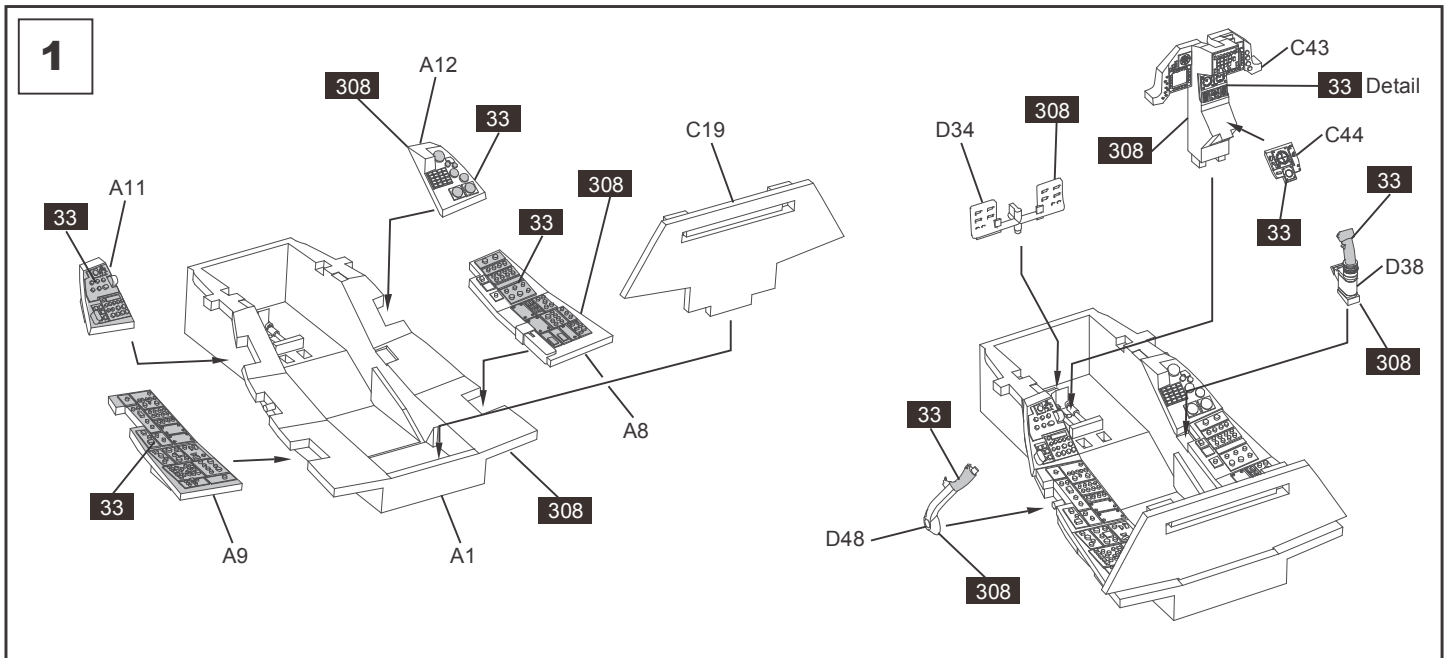
- *Read carefully and fully understand the instructions before commencing assembly.
- *Keep out of reach of children. Children must not be allowed to put any parts in their mouths, or pull plastic bag over their heads.
- *When using adhesives and paints, please make sure not to use them in closed room or near the fire.
- *When assembling this kit, tools including knives are used. Extra care should be taken to avoid injury.

WARNING: CONTAIN SMALL PARTS NOT FOR CHILDREN UNDER 14 YEARS OF AGE.

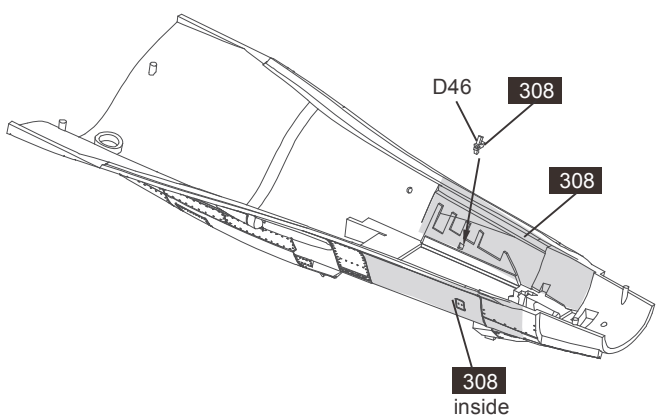
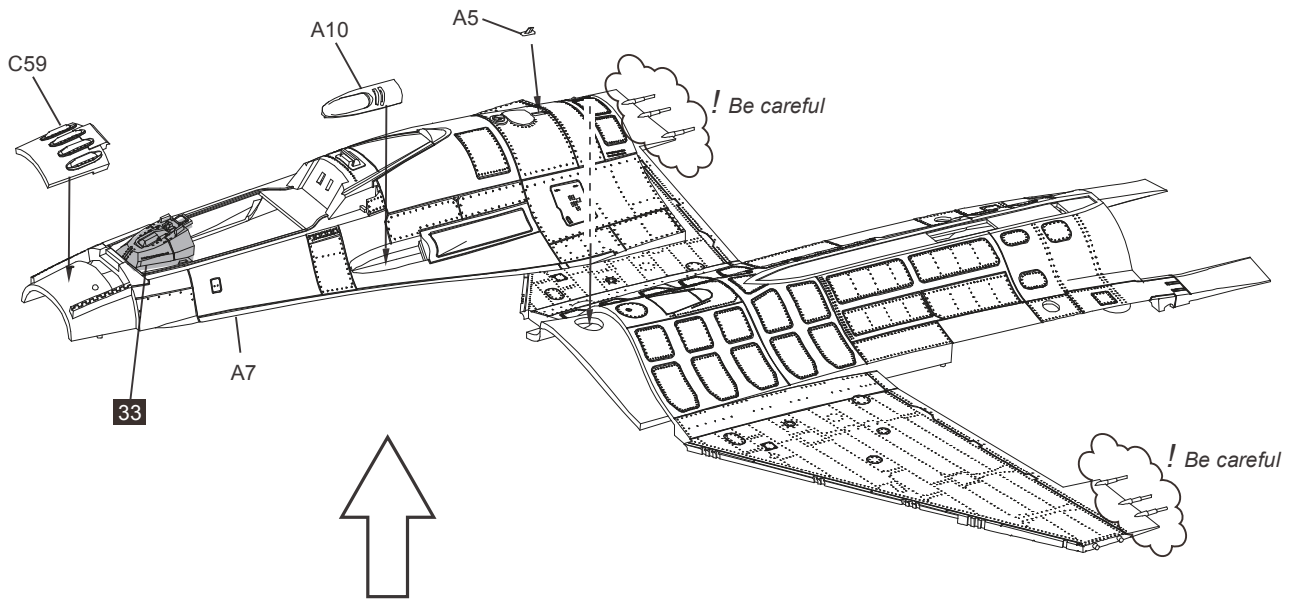




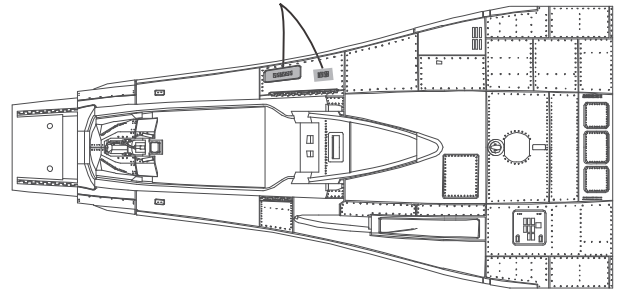
Some parts are not for use. For those parts not shown in the construction manual, please simply neglect them as they will not be used for building this model.



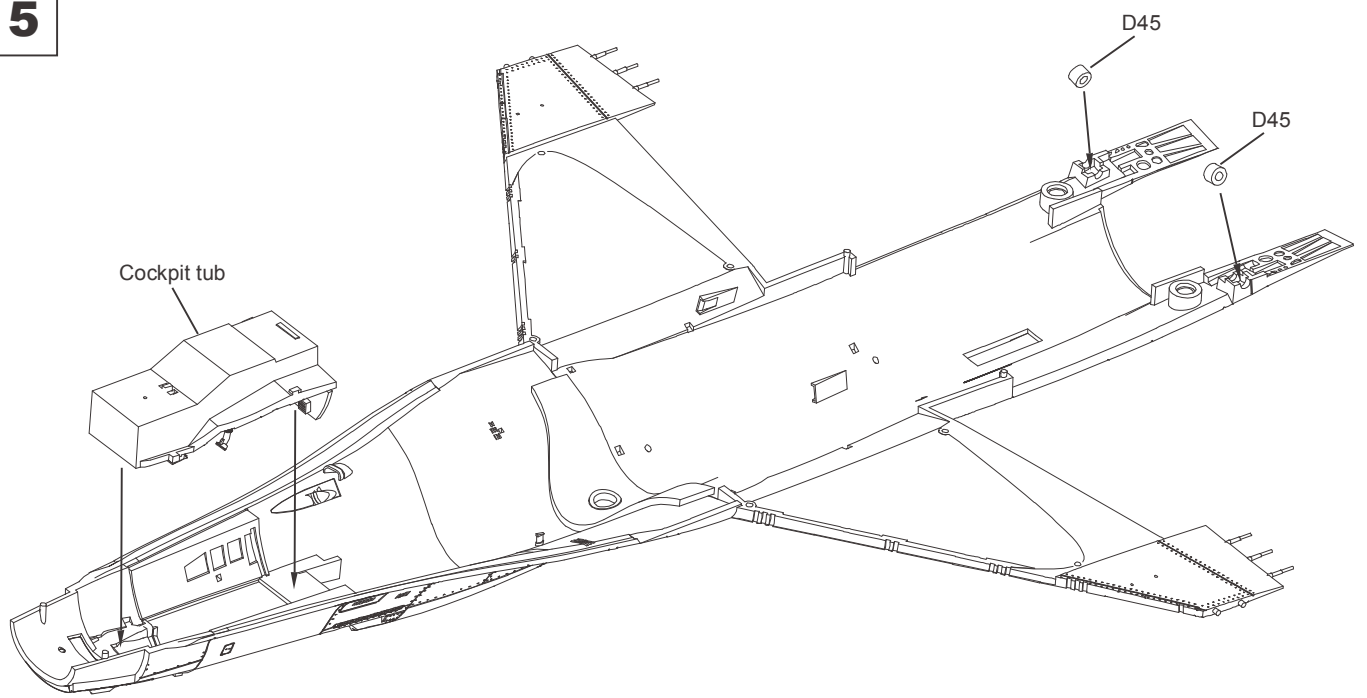
4



*Fill the panels with putty or CG glue and sand

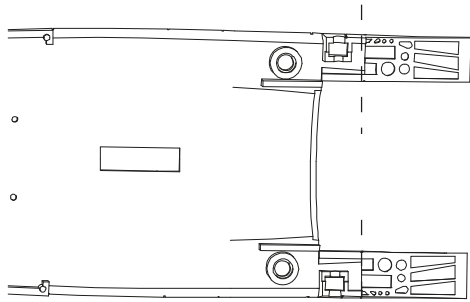


5

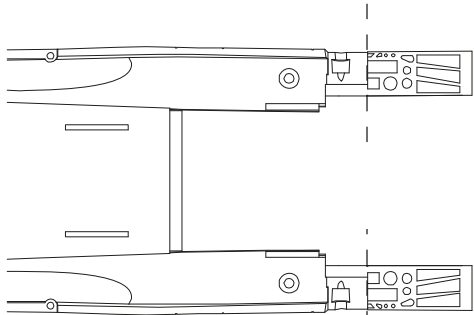
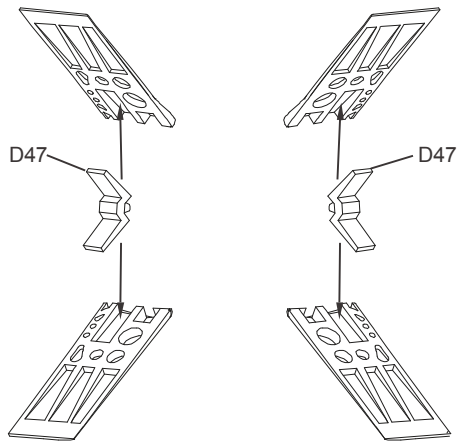


6

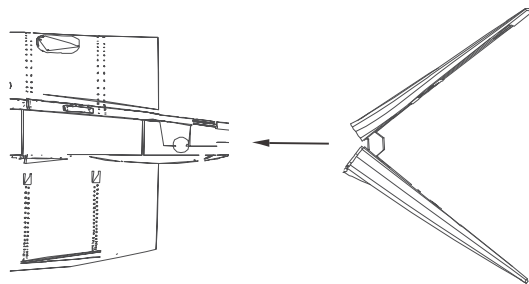
Cut along the lines for open air brake



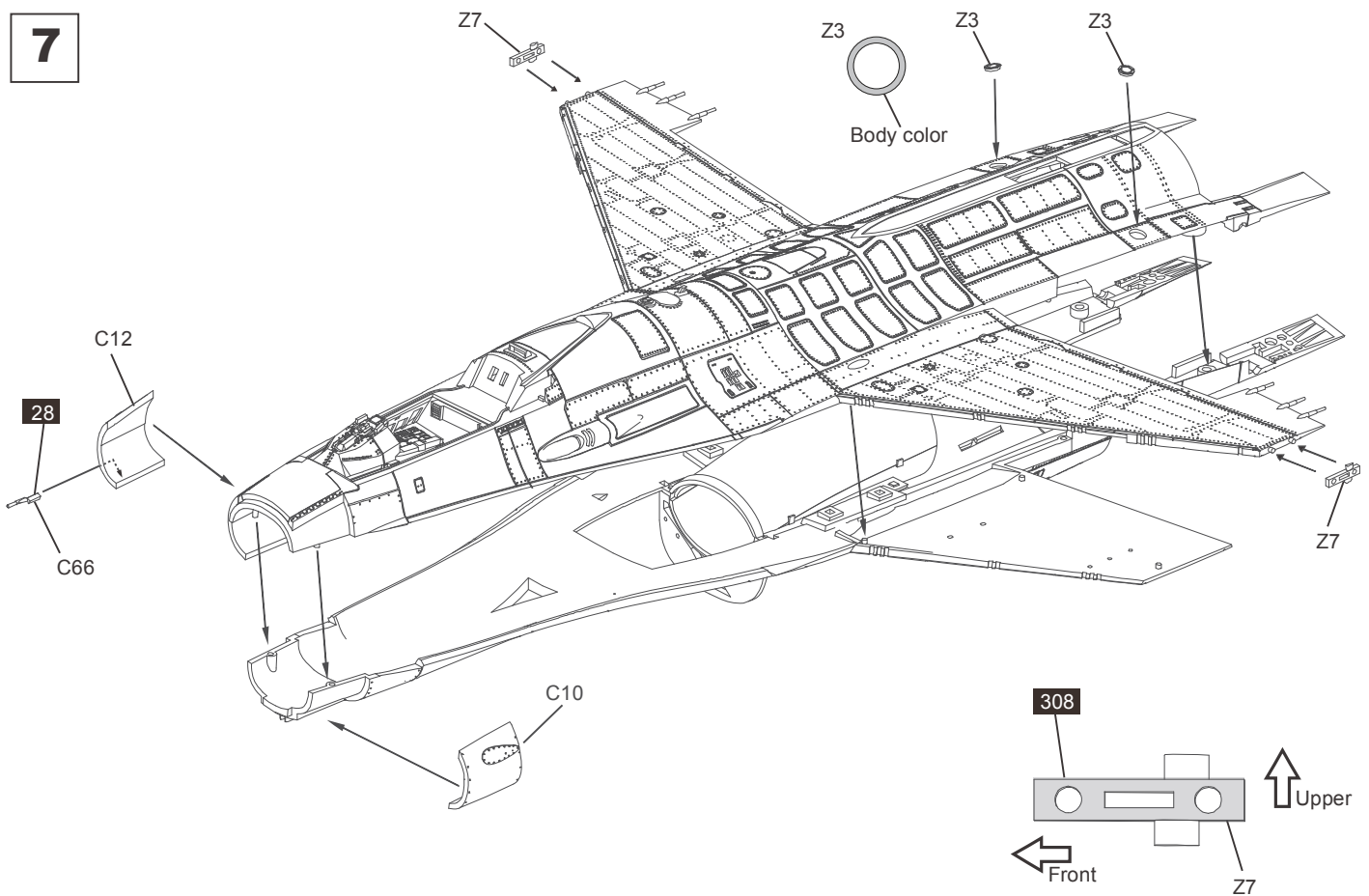
Upper Fuselage



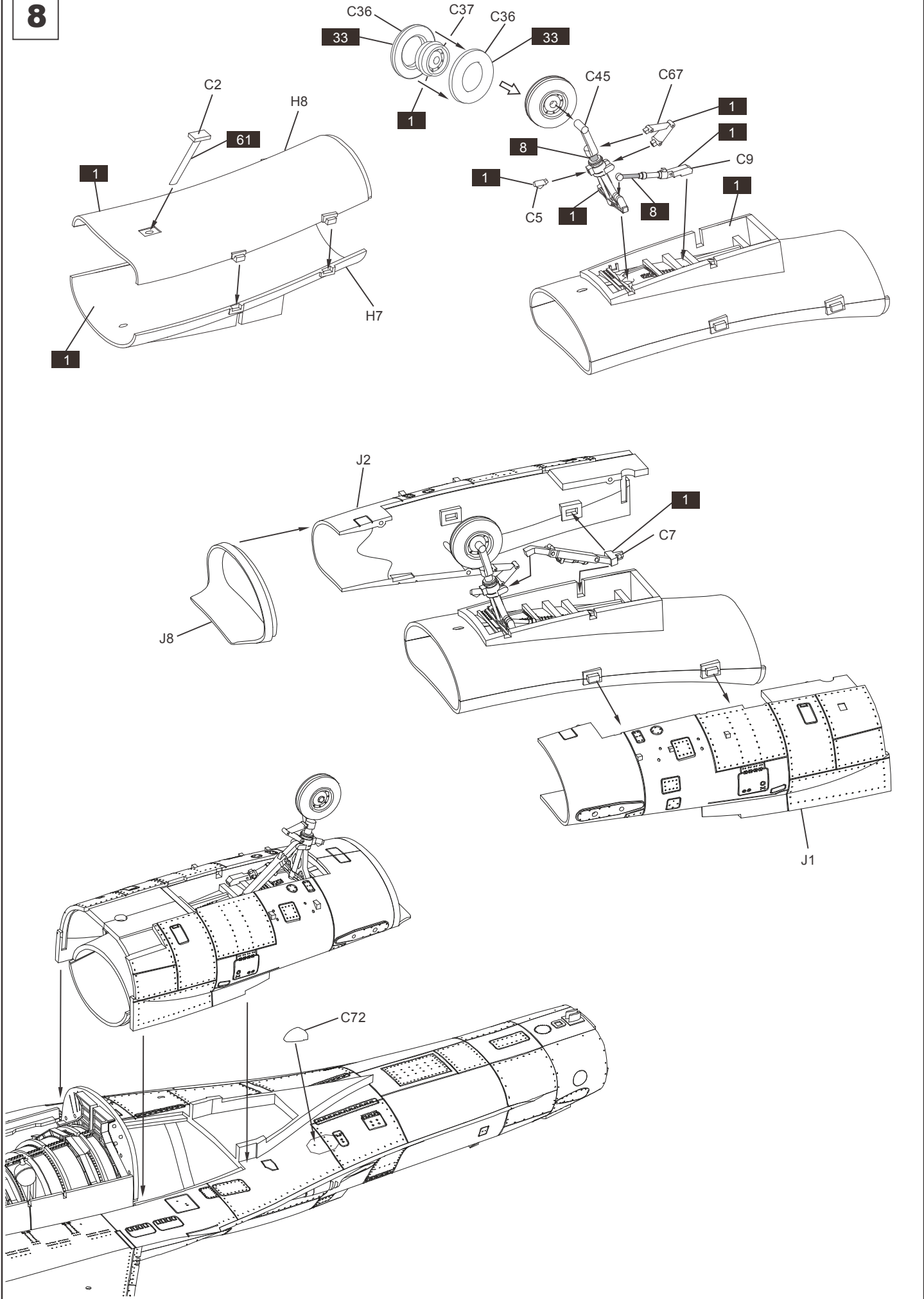
Lower Fuselage



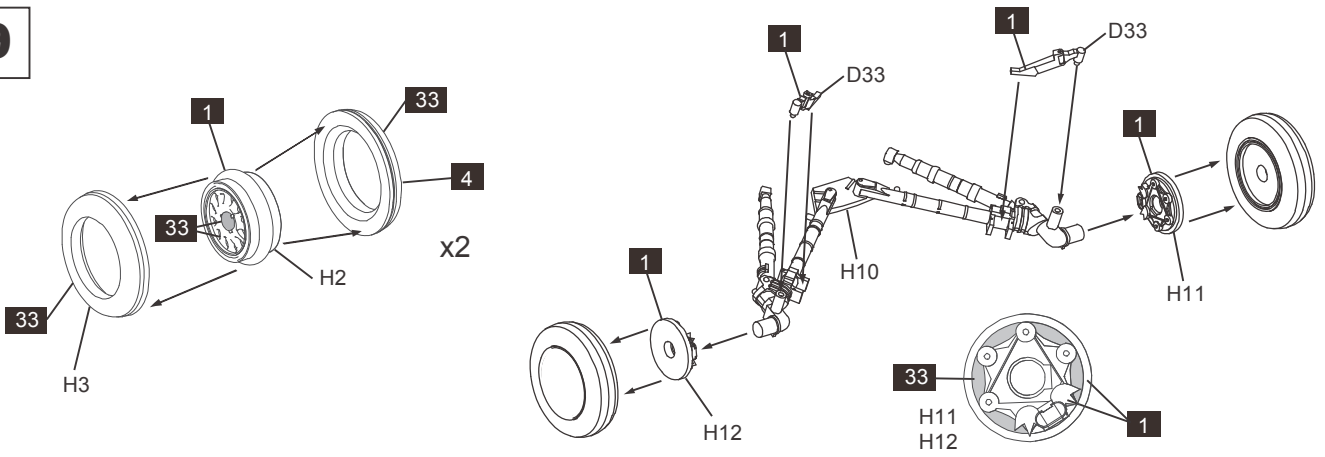
7



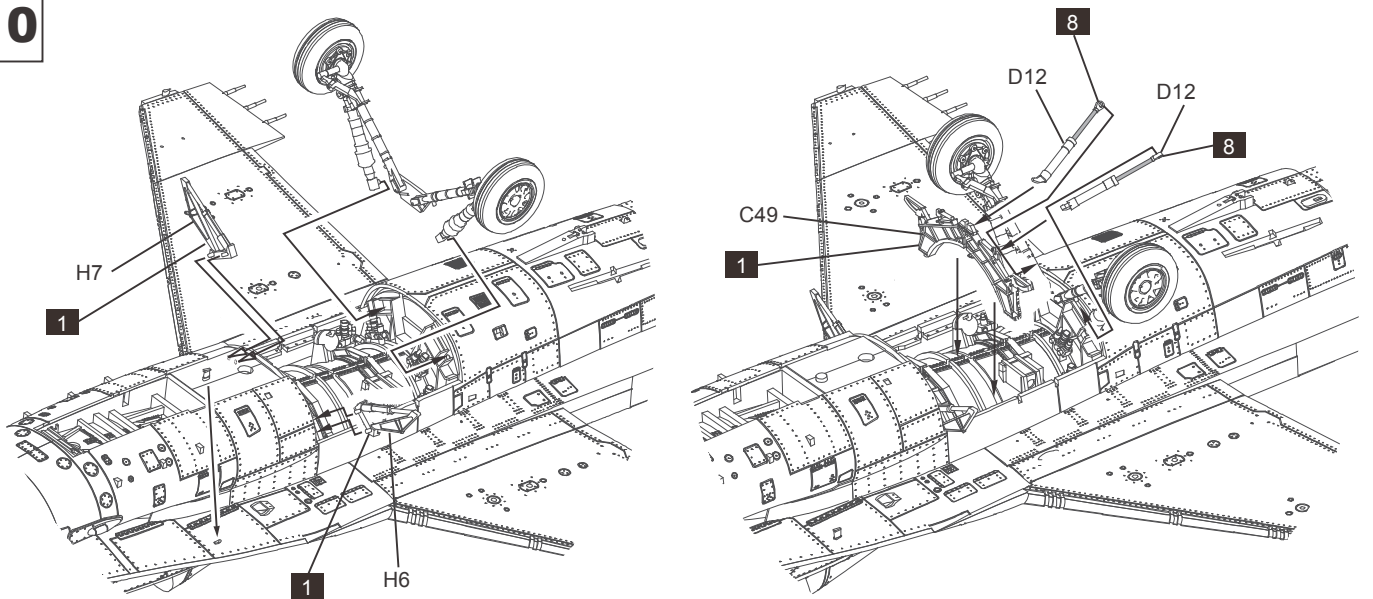
8



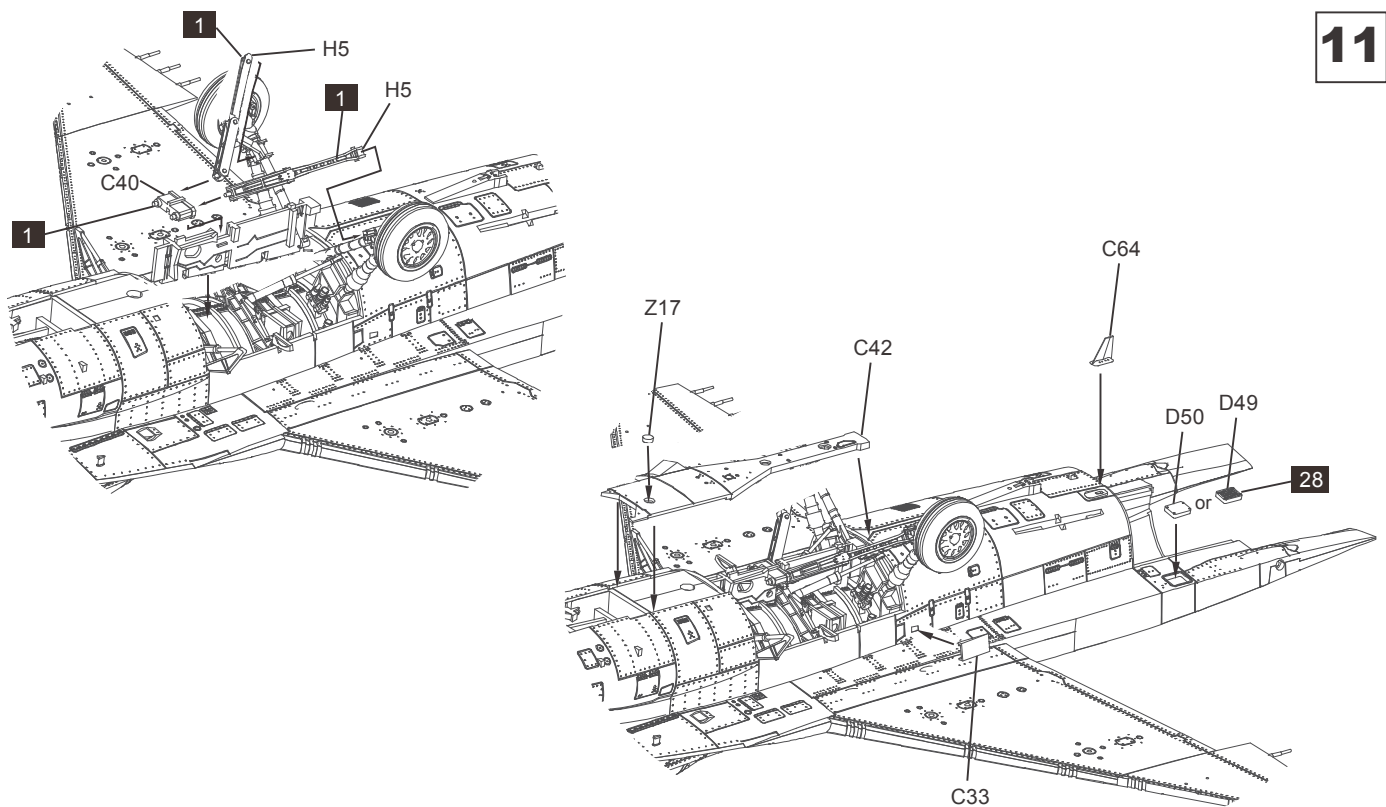
9

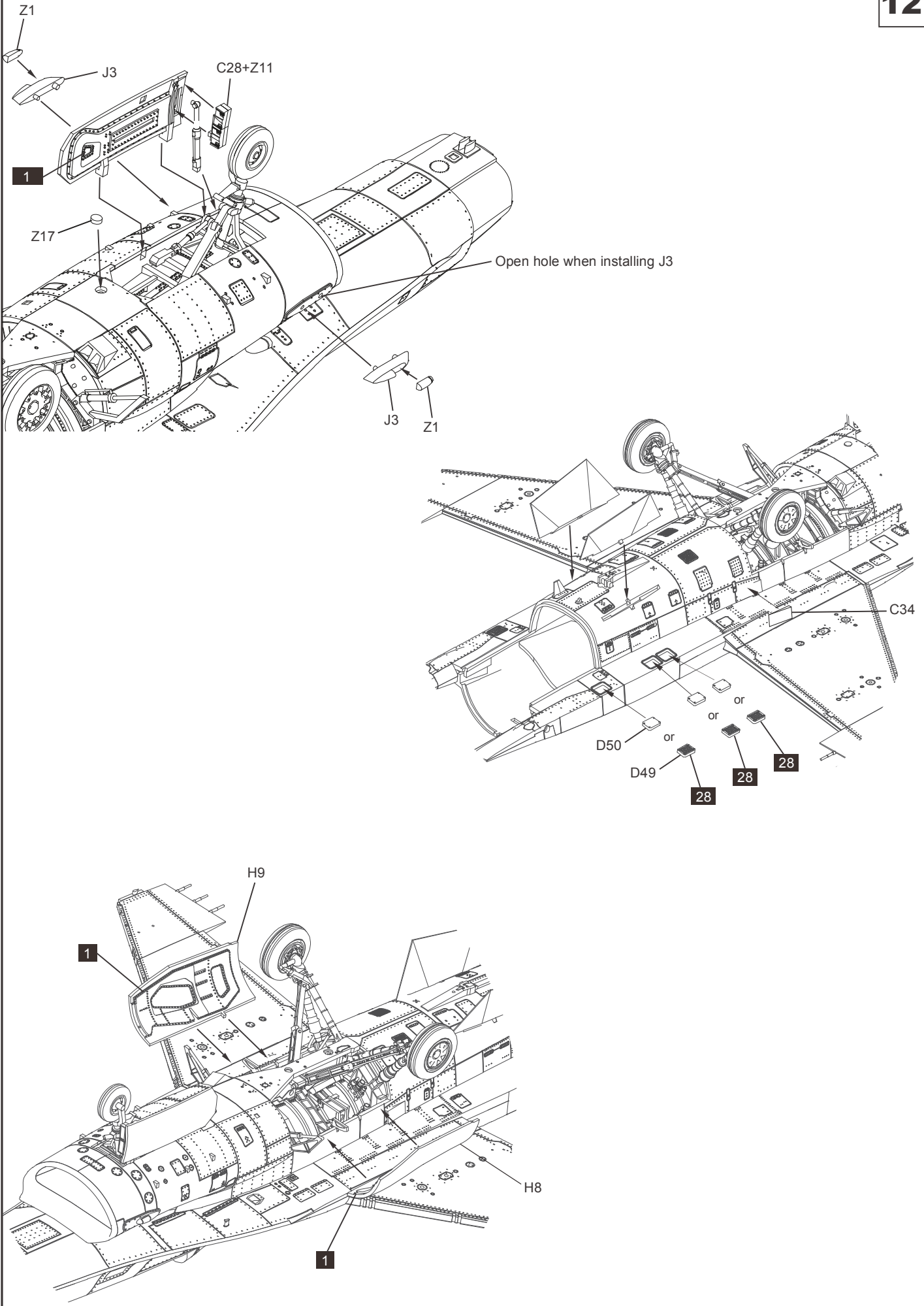


10

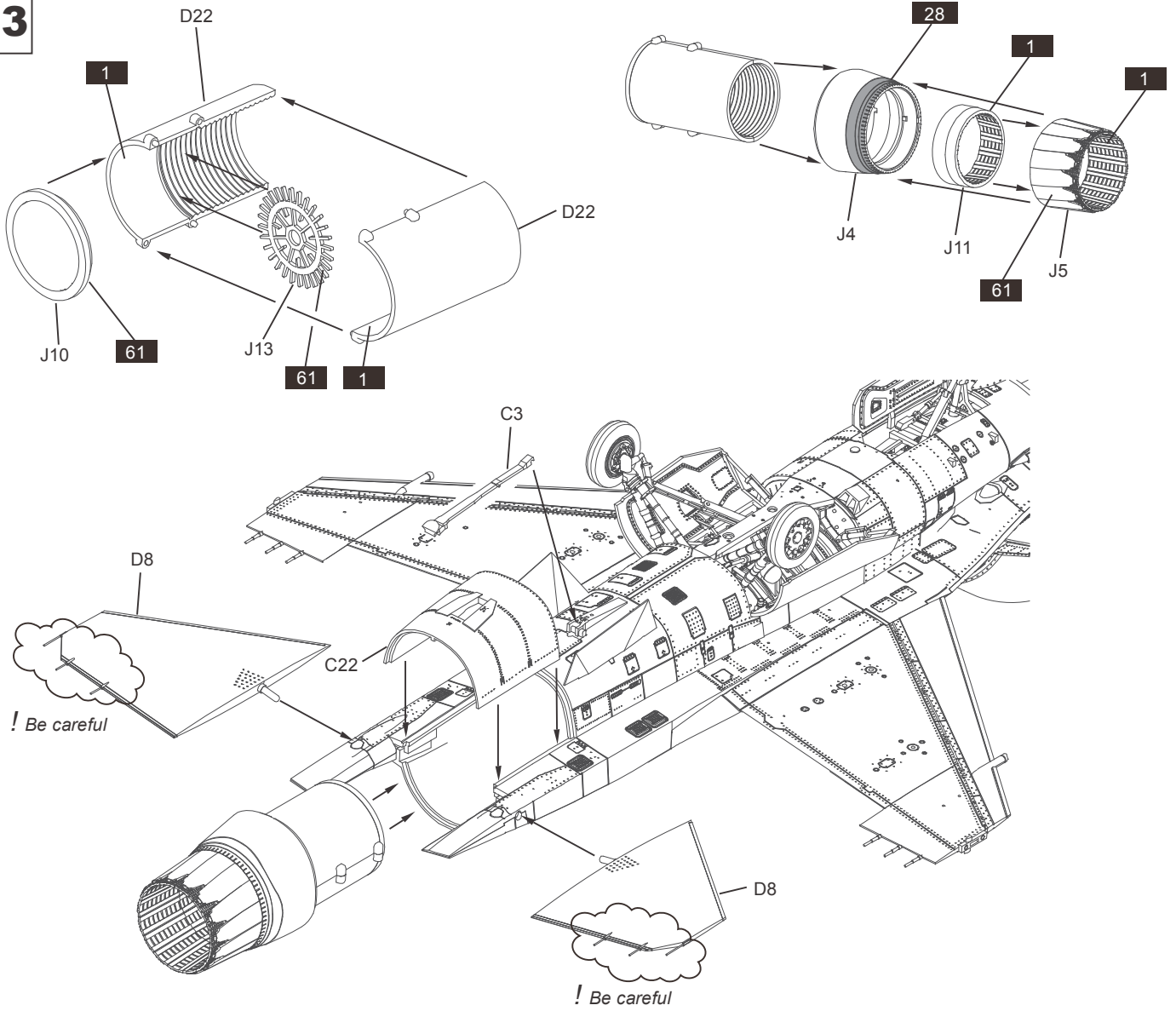


11

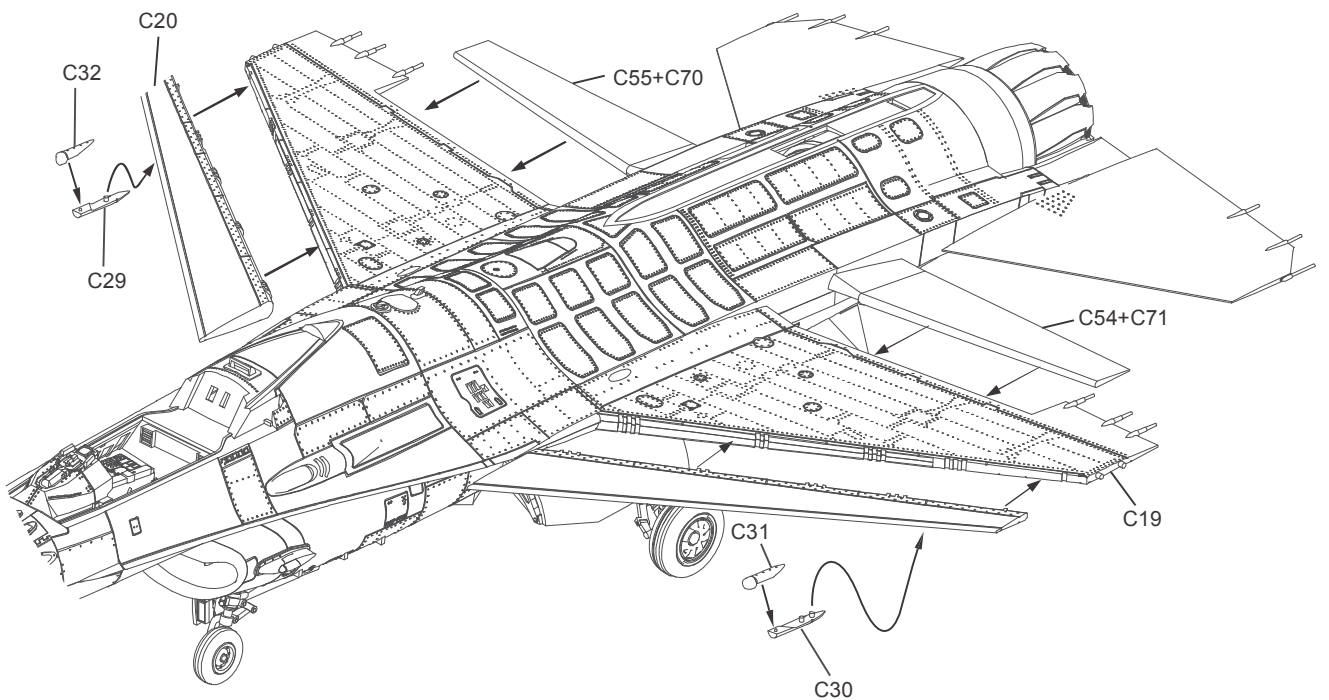




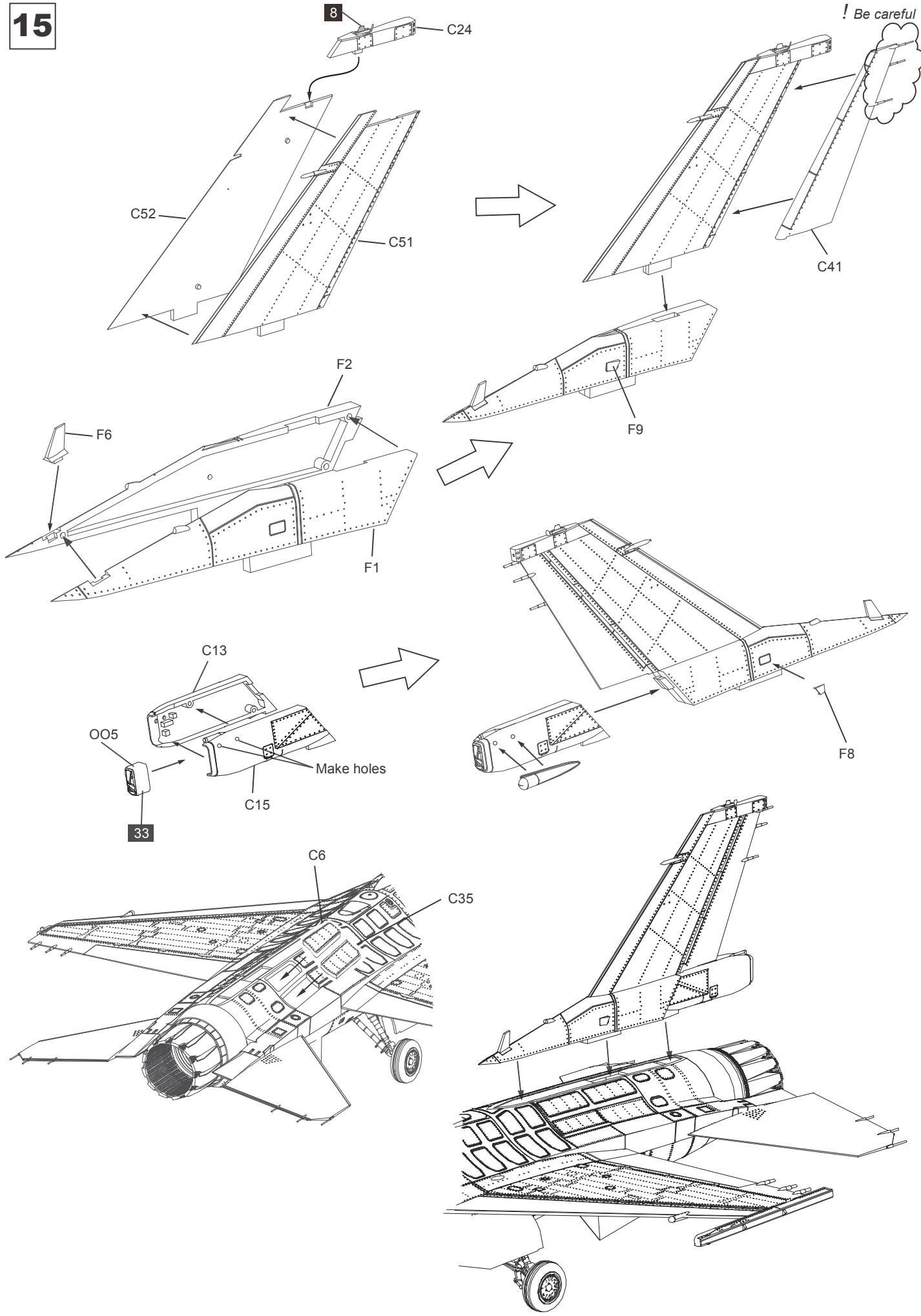
13



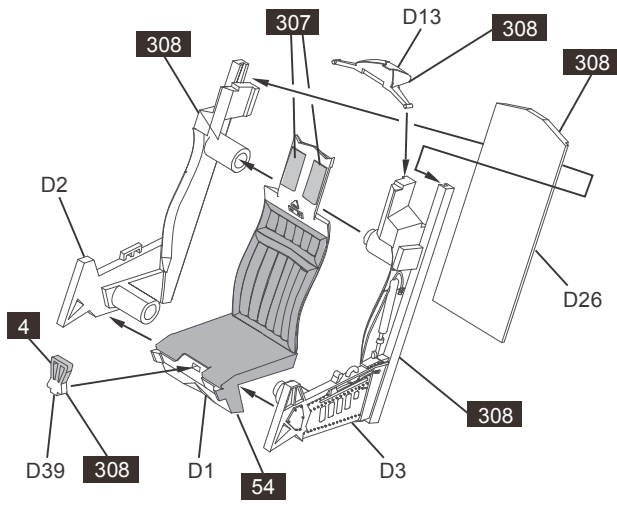
14



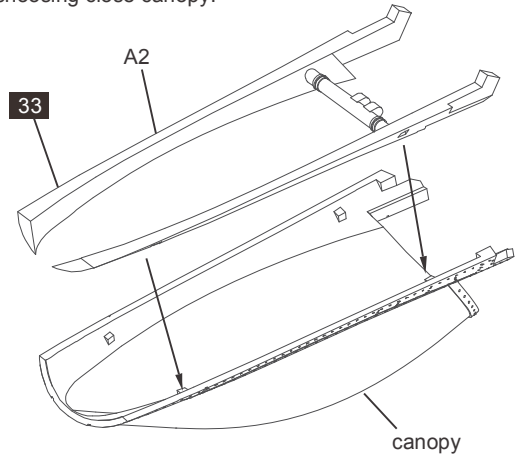
! Be careful



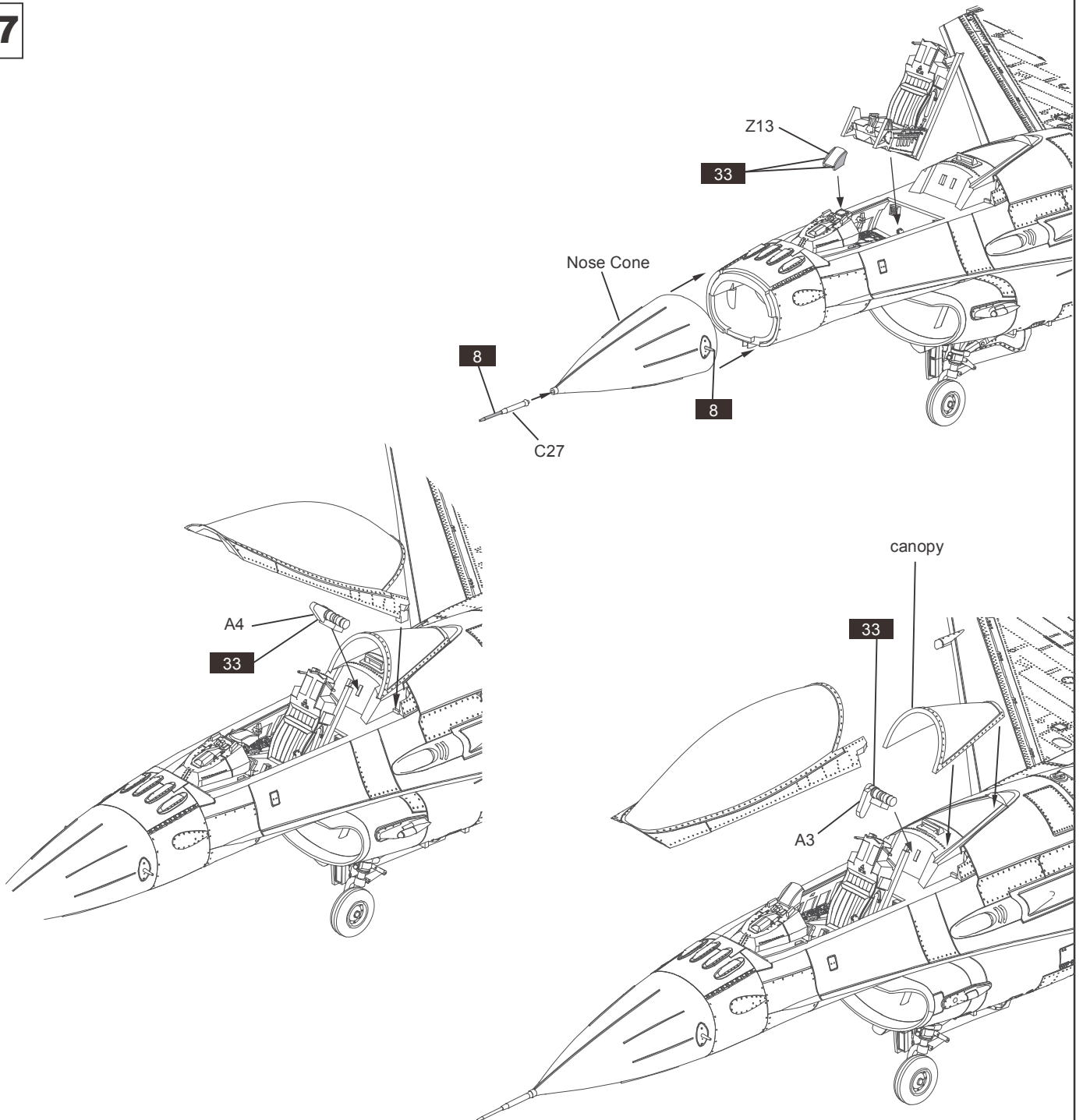
16

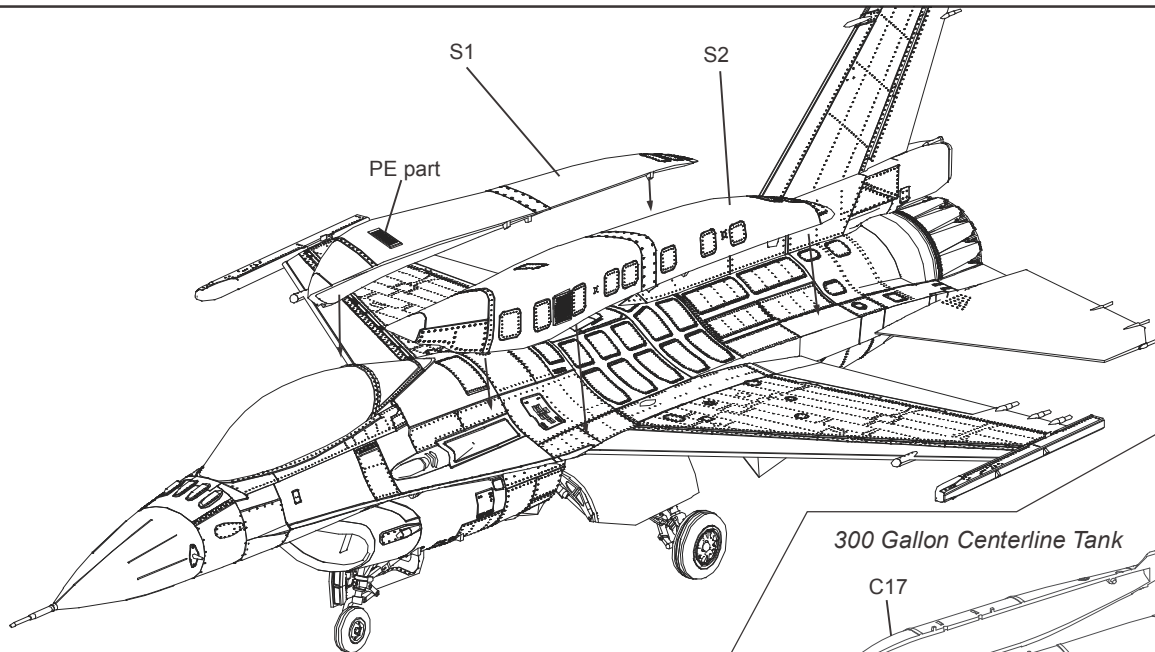


*Do not install A2 when choosing close canopy.

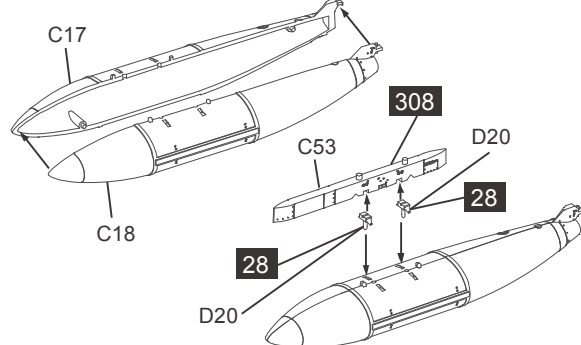


17

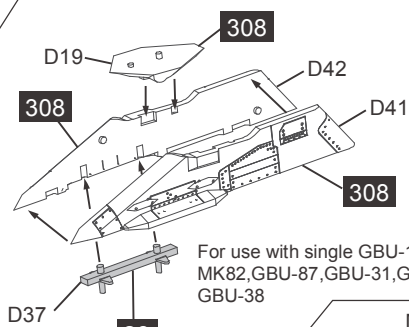
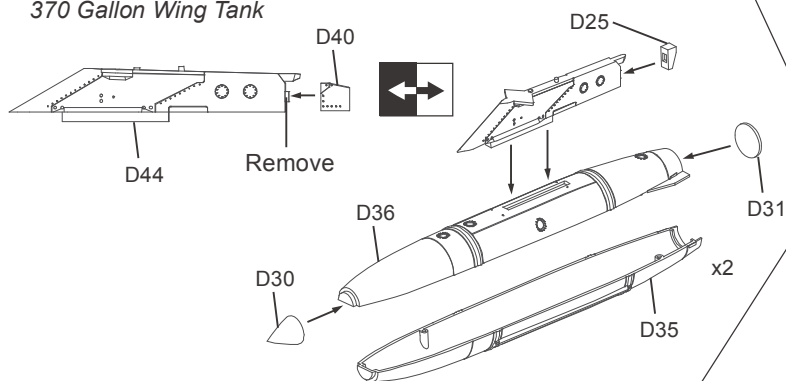




300 Gallon Centerline Tank

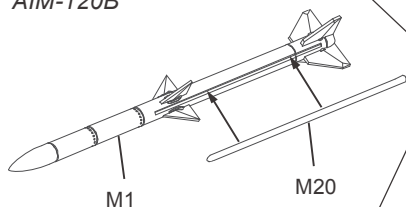


370 Gallon Wing Tank

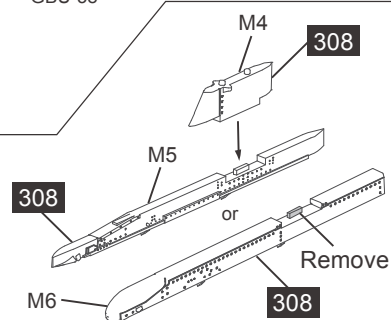
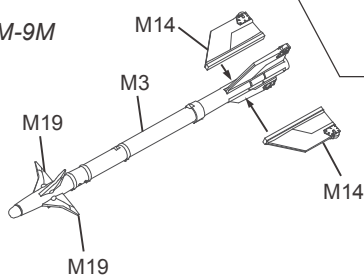


For use with single GBU-12, MK82, GBU-87, GBU-31, GBU-24, GBU-38

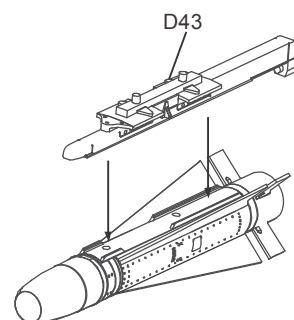
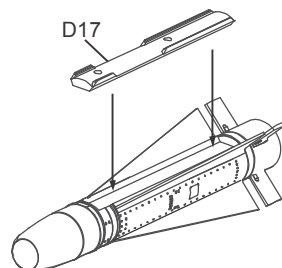
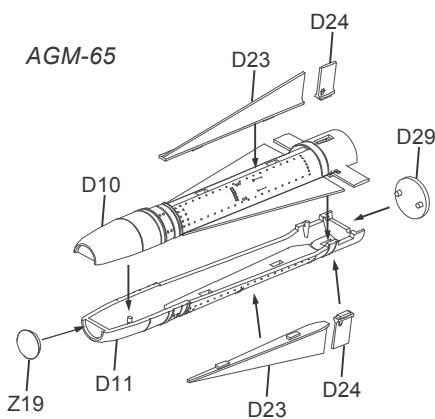
AIM-120B



AIM-9M

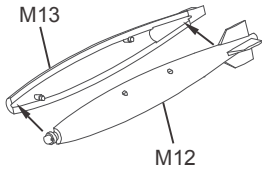


AGM-65

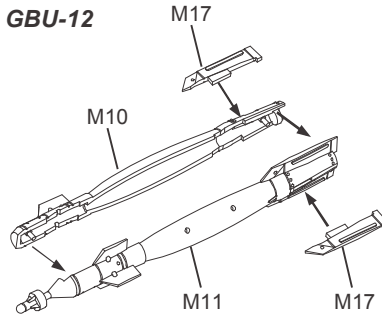


20

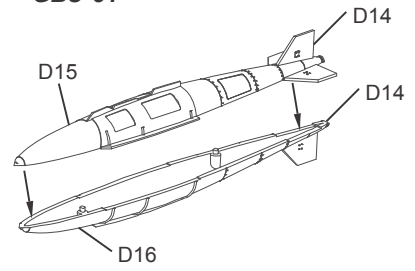
MK-82



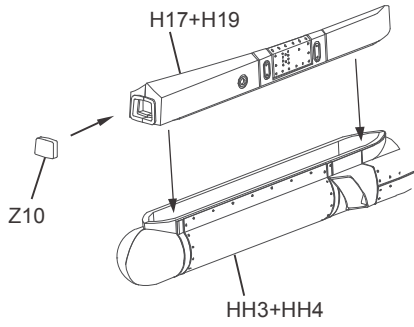
GBU-12



GBU-31

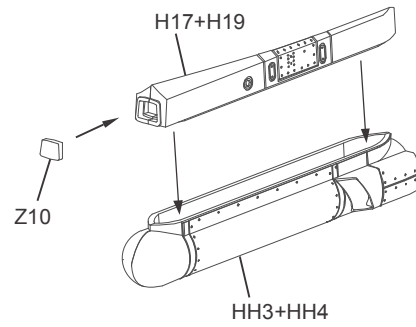


AN/AAQ-13

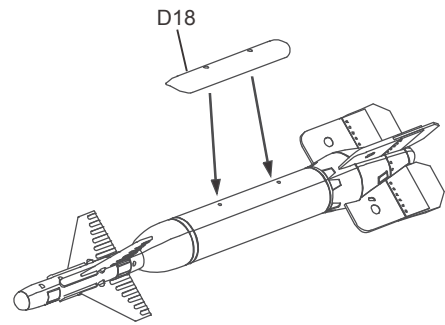
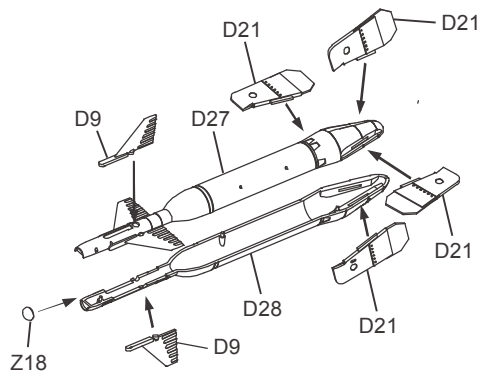


21

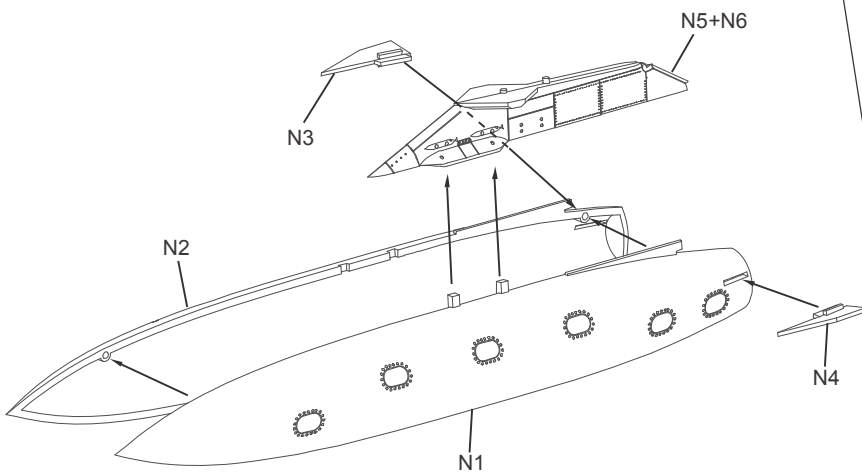
AN/AAQ-13



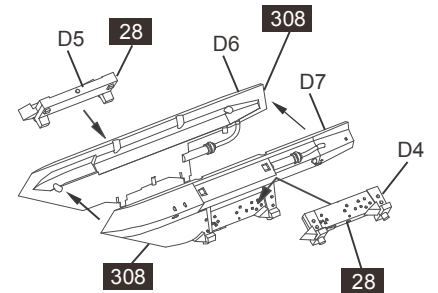
GBU-24



600 GAL. FUEL TANK



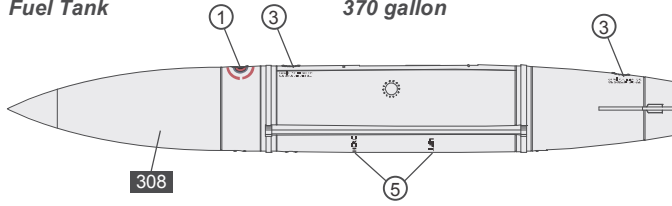
TER



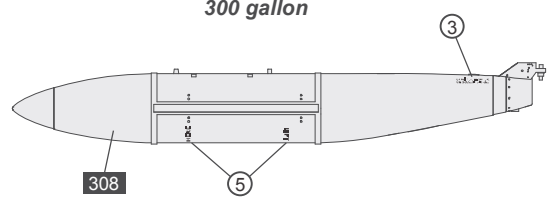
Painting & Decal Placement - External Stores

Fuel Tank

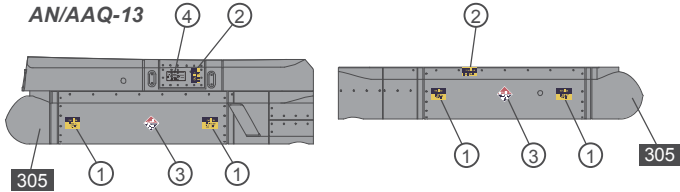
370 gallon



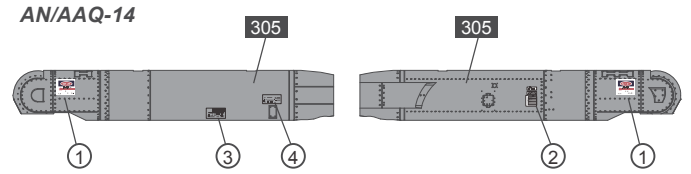
300 gallon



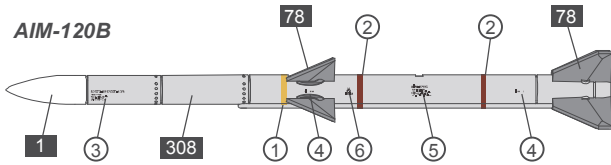
AN/AAQ-13



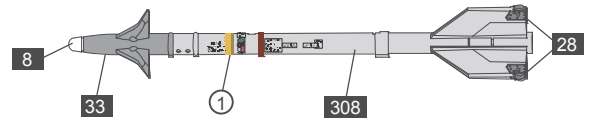
AN/AAQ-14



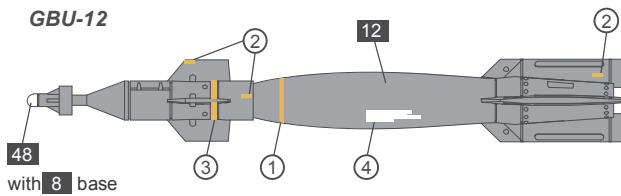
AIM-120B



AIM-9M

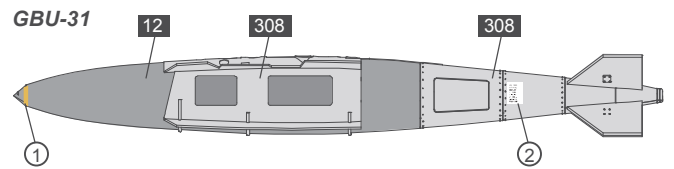


GBU-12

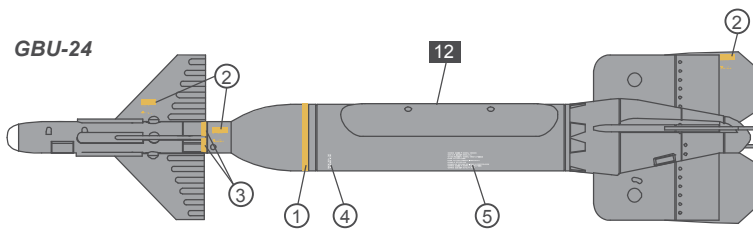


with 8 base

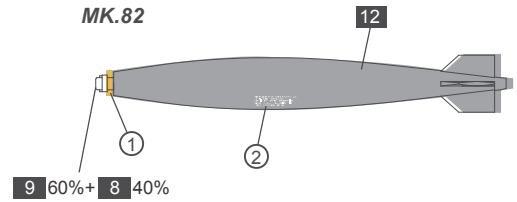
GBU-31



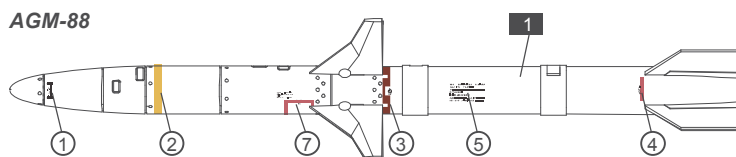
GBU-24



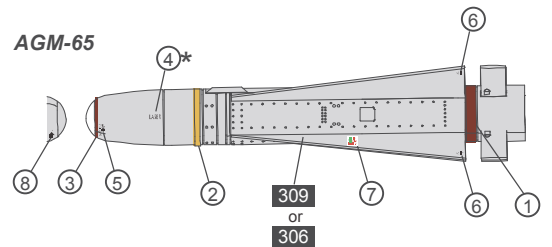
MK.82



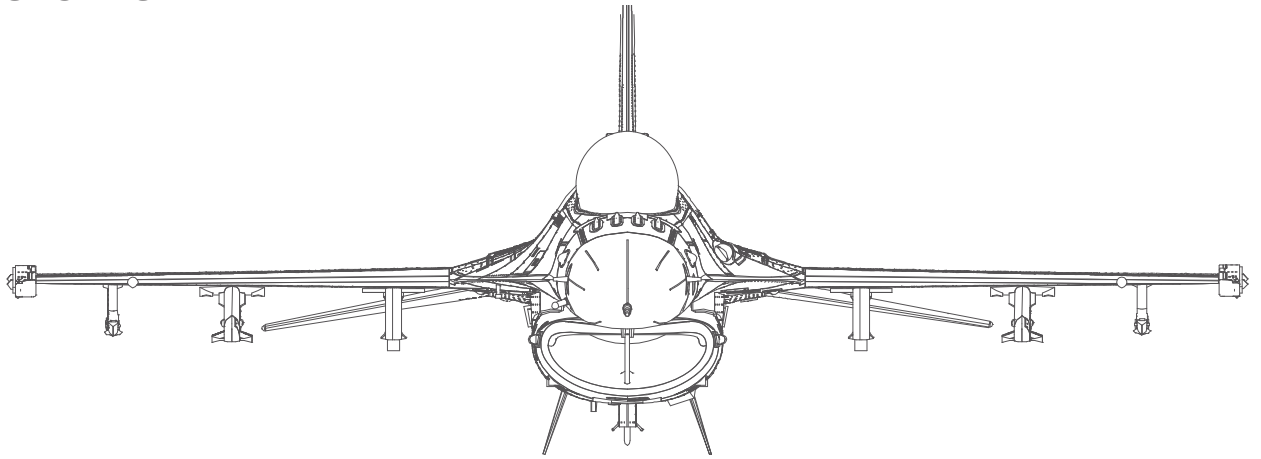
AGM-88



AGM-65

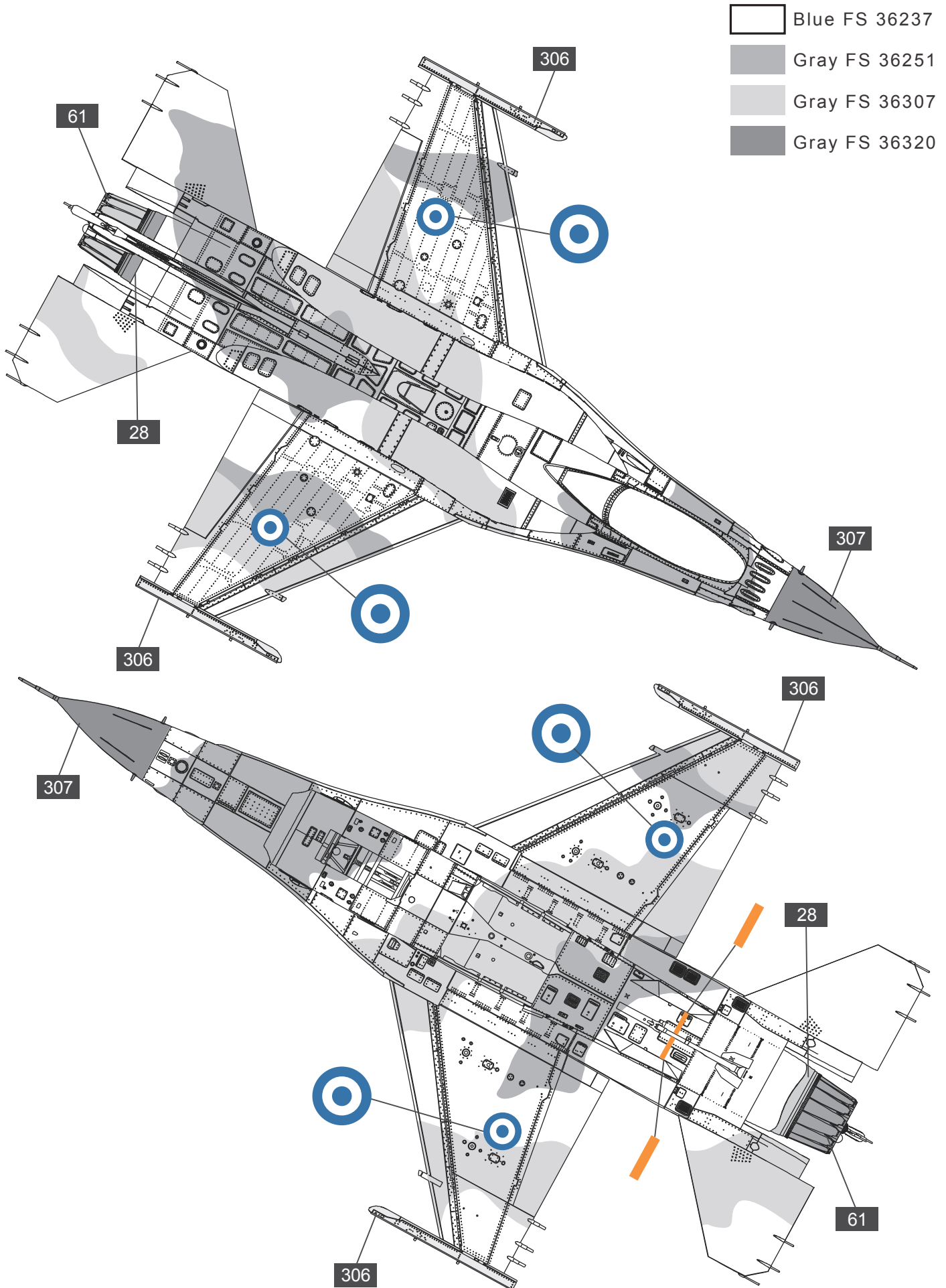


EXTERNAL STORES



Station No. Weapons	9	8	7	6	5R	5	5L	4	3	2	1
LAU-114 (W/AIM-9M only)	●	●								●	●
LAU-129	●	●								●	●
AIM-9M	●	●								●	●
AIM-120B (W/LAU-129 only)	●	●								●	●
MK.82			●						●		
MK.82 (W/TER)			● ●						● ●		
GBU-12			●						●		
GBU-12 (W/TER)			● ●						● ●		
GBU-31			●						●		
GBU-24			●						●		
AGM-65			●						●		
AGM-88			●						●		
IRIS - T	●	●								●	●
600 gal. Fuel tank				●				●			
370 gal. Fuel tank				●				●			
300 gal. Fuel tank						●					
AN/AAQ-13							●				
AN/AAQ-14					●						

F-16C BLOCK 52+ GREEK AIR FORCE



F-16C BLOCK 52+ GREEK AIR FORCE

