

# Ferdinand Jagdpanzer sd.kfz.184 & 16t strabokran 2in1



## 35A030

Thank you for purchasing an Amusing Hobby model kit.  
Amusing Hobby製品のお買い上げありがとうございます。  
感謝您購買Amusing Hobby出品的塑膠比例模型。

### Attention • 取り扱い上のご注意 • 注意事項

1. Please read this manual through carefully before assembling and keep it for future reference.
  2. WARNING: Kit contains small and sharp parts. Children under 14 years old should be supervised to ensure that they do not play with any parts.
  3. WARNING: Keep plastic bags away from babies and small children to avoid the danger of suffocation.
  4. Be sure to ventilate the work area and keep away from fire or flammable gas when using cement or paint.
  5. It is highly recommended to do pre-assembling or dry-fitting before gluing. Test to ensure that the pieces will fit together properly or neatly.
  6. Beware of personal injury that may be caused by sharp tools (such as Design Knife) & ensure that fingers are free from the path of the blade.
1. 組み立てを始める前に、この取扱説明書をよく読んで理解してから正しく使用してください。また必要なときに、参照できるように大切に保管してください。
  2. 警告: 組み立て部品には鋭利な物、小さい部品がございます。14歳未満のお子様には与えないで下さい。ケガ誤飲を防ぐため幼児の手の届かないところに保管し、十分ご注意ください。
  3. 警告: 窒息の危険がございますので、パーツの入っていたビニール袋を幼児がかぶらないようご注意ください。開封後はすぐに捨ててください。
  4. 接着剤やラッカー塗料エナメル塗料等をご使用の際は、必ず換気をし、火の気に十分ご注意ください。
  5. 接着剤で貼り付ける前に必ず仮組みをして、部品に間違いがないか、向きは合っているかを確認してください。
  6. 制作時にはカッターナイフ等、鋭利な工具でケガをしないよう十分注意し、刃の進む先に手を置かないでください。
1. 請在組裝之前仔細閱讀本手冊，掌握組裝流程與要點。并妥善保管本手冊以供日後參考。
  2. 警告: 套件包含細小與銳利部件。應照看好 14 歲以下幼童，確保他們不會玩耍任何部件，也不可將部件含在口中或者吞食。
  3. 警告: 不要讓嬰兒或幼童接觸包裝盒內的塑膠袋，防止他們將塑膠袋套在自己的頭部而發生窒息的危險。
  4. 在使用膠水粘接模型或者進行噴油作業時，應遠離火源或者易燃氣體，並使工作區域保持通風。
  5. 在使用膠水粘合之前應先進行假組，檢查部件之間的配位是否正確或者合適。如有配位不適的情形發生，則可做修正工作。
  6. 在製作時應小心勿被鋒利的工具（例如筆刀）刺傷，在切削部件時要確保手指避開刀鋒的運動方向。

### Assembly Guide Icons • 組み立て指示記号について • 組裝指示符號

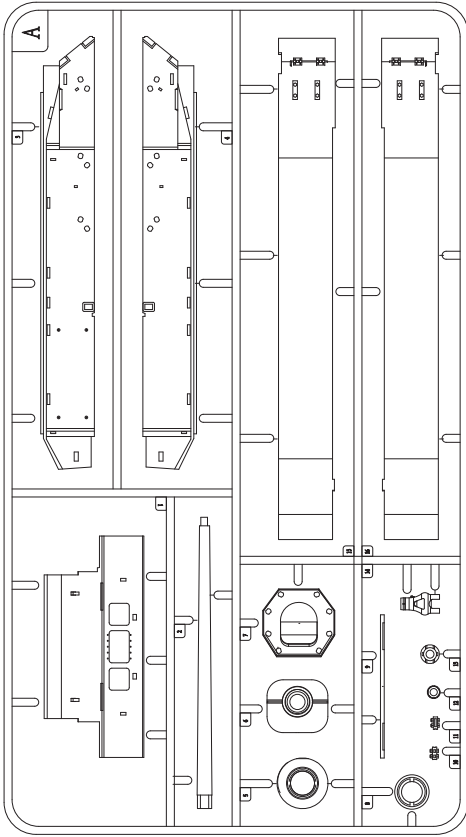
Apply cement 接着 塗膠水粘接	Do not cement 接着しません 不用膠水粘接	Super glue (For metal) 瞬間接着剤 (金屬用) 快乾強力膠 (金屬用)	Optional どちらかを選択 可選擇製作	Make 2 pcs 2セット作成 製作2組	Be careful! 慎重に! 謹慎留意
Remove 切り落とす 去掉、切除	Cut off ナイフで切断 用刀切断	Drill hole 穴を開ける 鑽孔	Fill hole 穴を埋める 填孔	Fold 折り曲げる 折疊	Press 力を加える 用手指按壓
Apply decal デカール貼り 貼水印紙	Color guide 塗裝色指示 模型油塗色	Allow glue to dry for several minutes. 完全に乾くまで時間をおく。 請等待數分鐘直至膠水乾固。			

It depends on what type of glue being used. 2-3 mins for super glue to dry & 10-20 mins for Poly cement. Hair dryer is useful for quick hardening.  
完全に乾くまでの時間は接着剤の種類によります。瞬間接着剤なら約2~3分、プラモデル用接着剤なら約10~20分です。ドライヤーを使えば乾きも早くなります。  
乾固の時間取決於膠水類型。強力膠或快乾膠需要2-3分鐘，塑膠模型膠水需要10-20分鐘。可使用電吹風加速乾固。

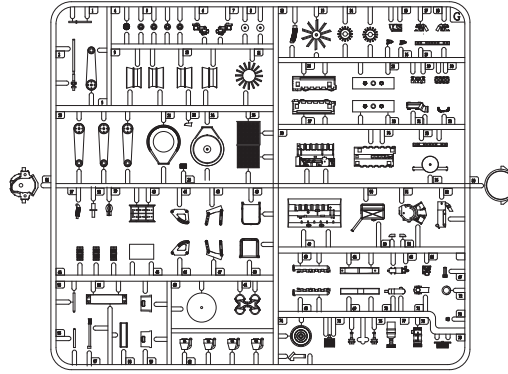
Parts List ・ パーツリスト ・ 部品清單

Please check all the following items. If anything is missing or damaged, contact your dealer immediately.

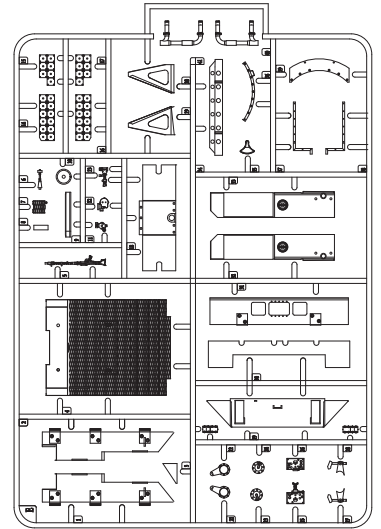
下記のパーツ類が全部揃っているか確認してください。万一製品に破損や欠品がございましたら、すぐにご購入元までご連絡ください。  
請檢查包裝盒內的下列部件，如有漏失或損壞，請立即聯繫您的銷售商。



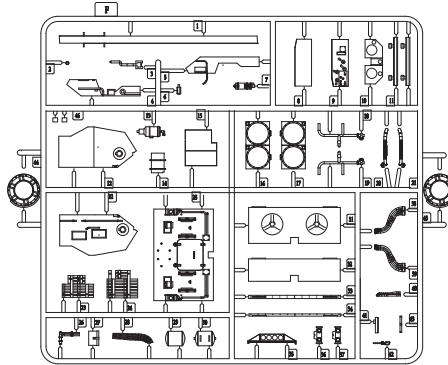
A:1pc



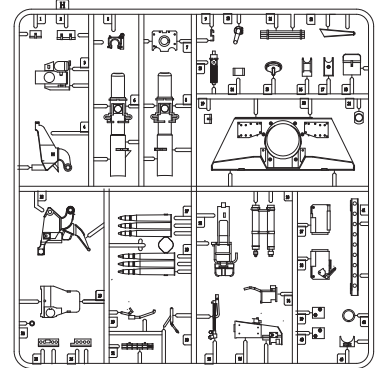
G:2pcs



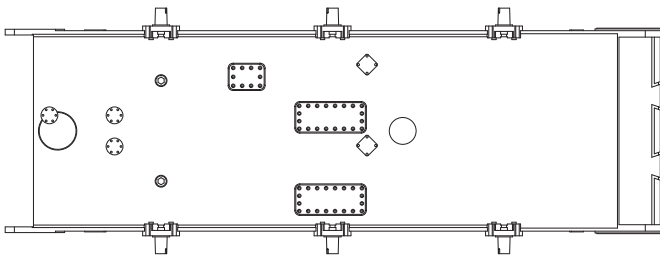
E:1pc



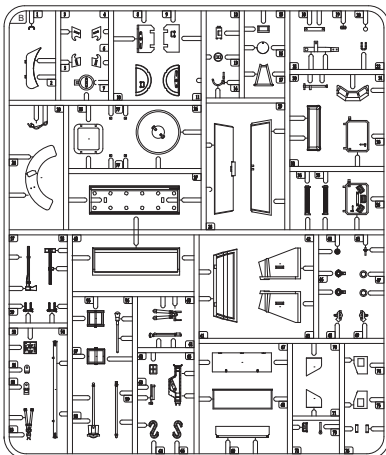
F:1pc



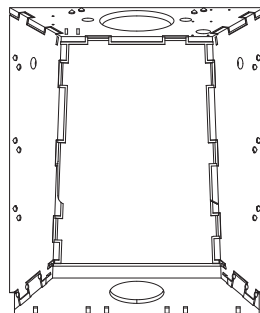
H:1pc



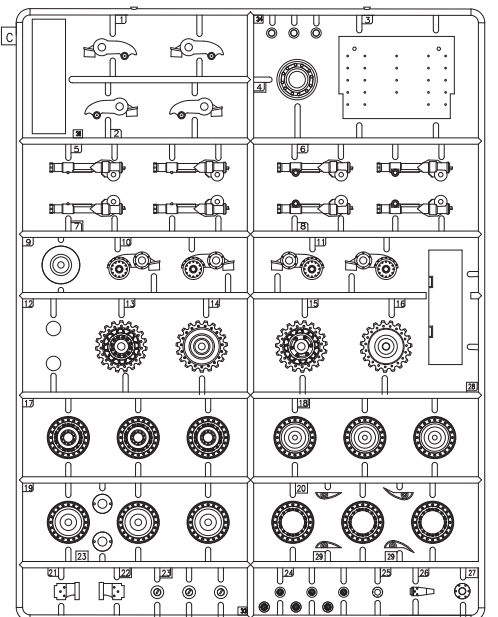
Lower Hull: 1pc



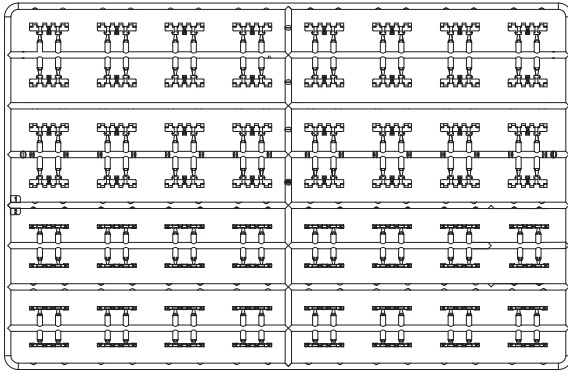
B:1pc



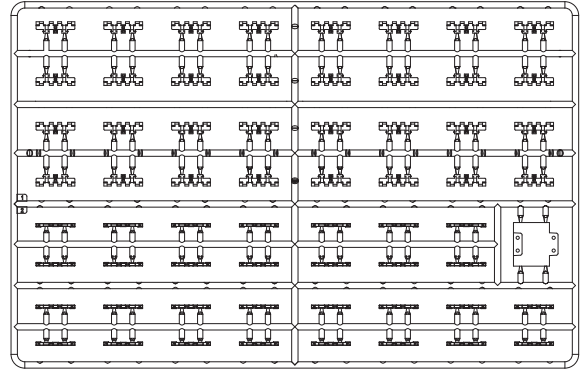
Fighting Compartment



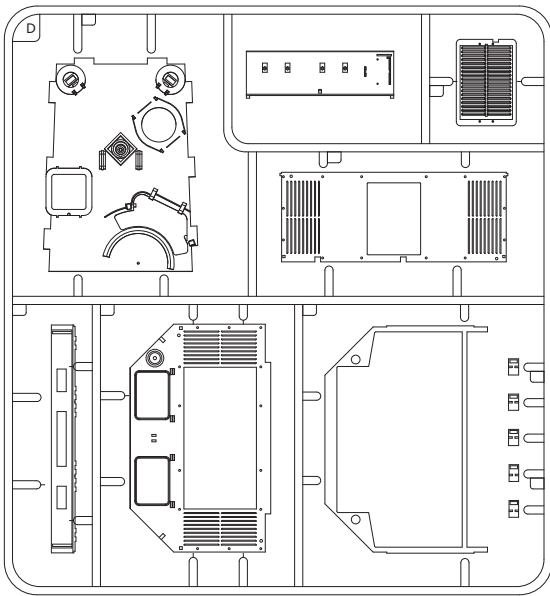
C:2pcs



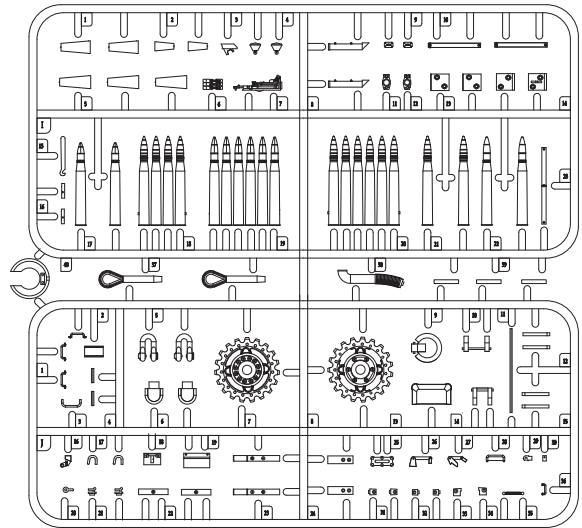
U:4pcs



T:4pcs

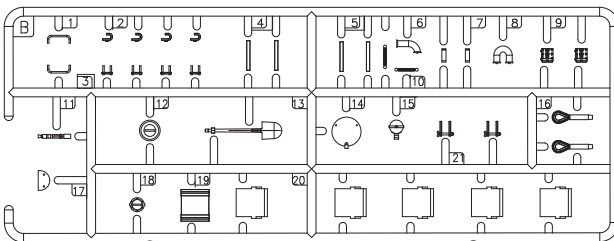


D:1pc

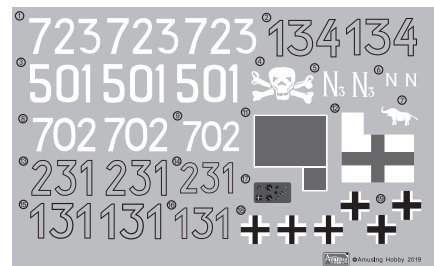


J:2pcs

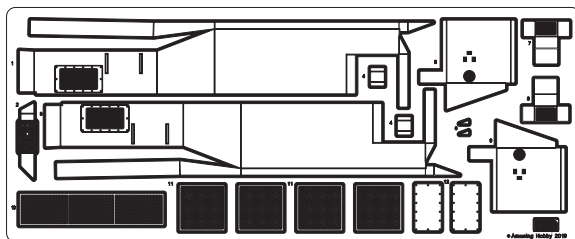
I:2pcs



B1:2pcs



Decal:1pc



Z:1pc



V

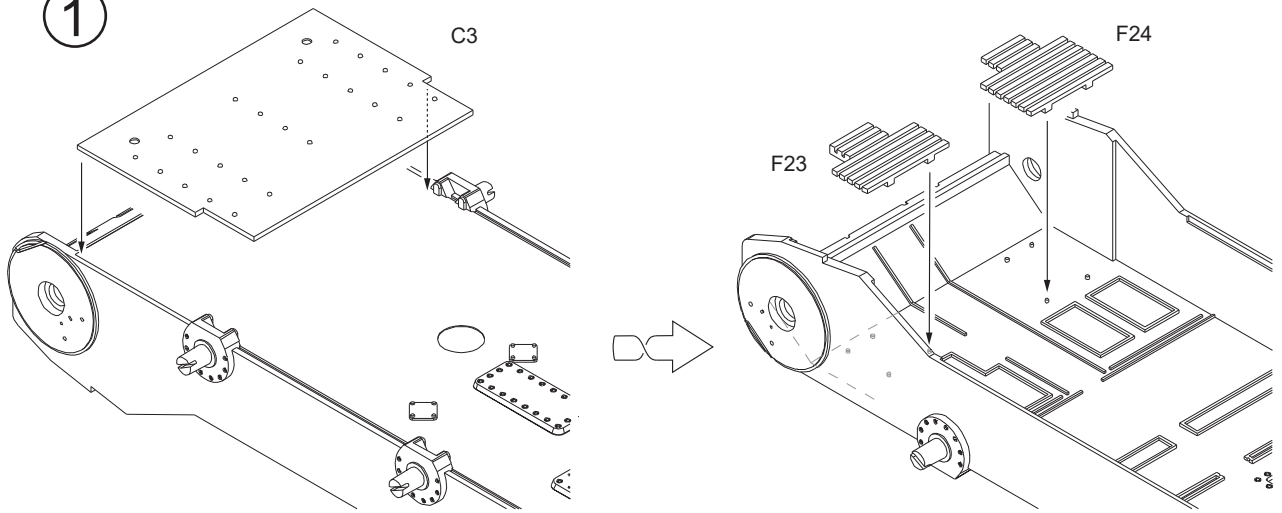


M

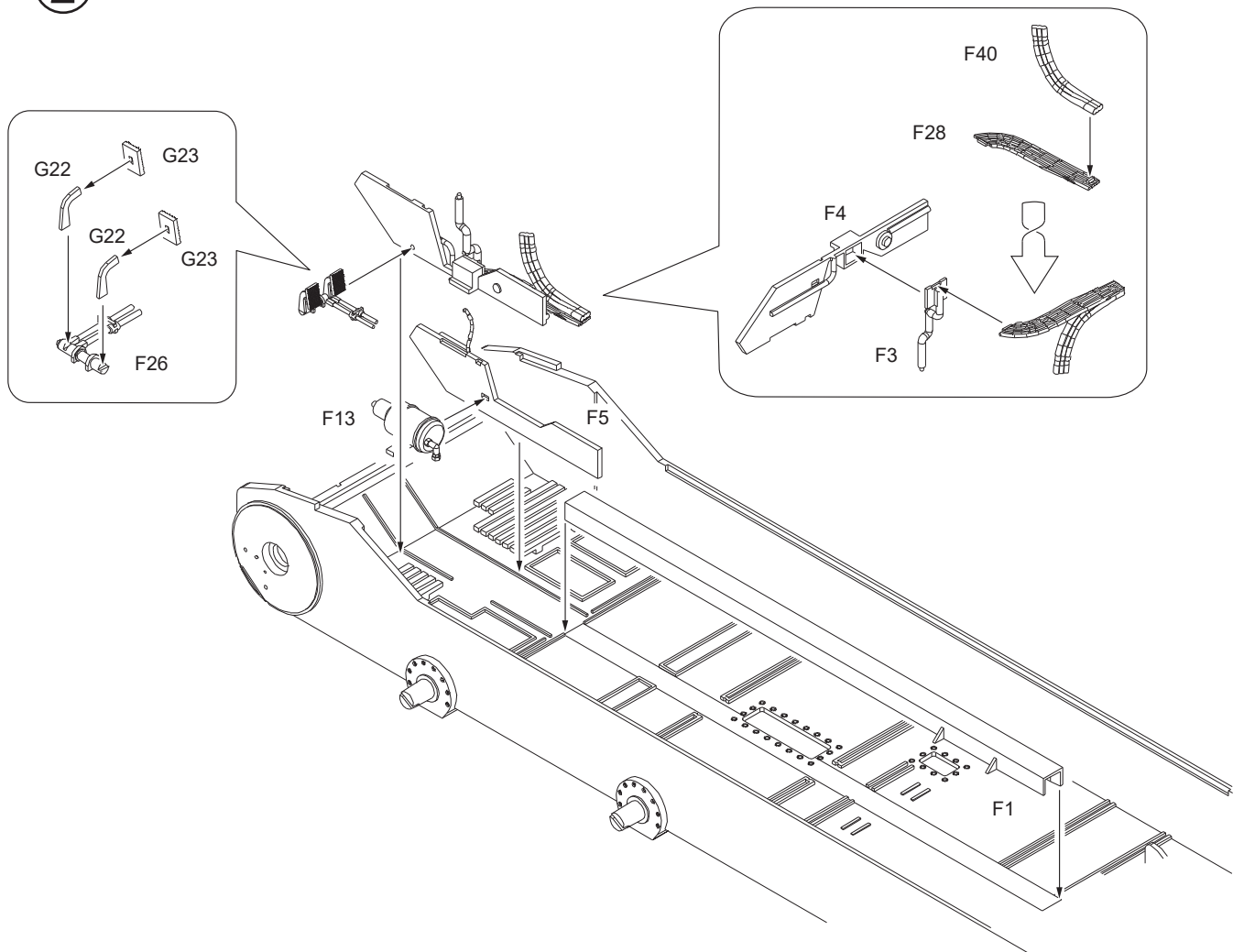


S: 6pcs

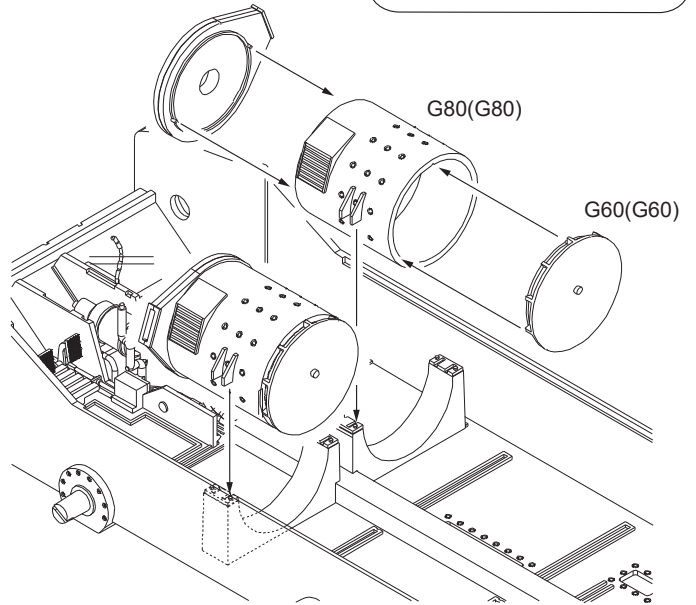
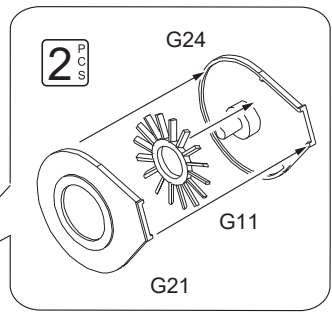
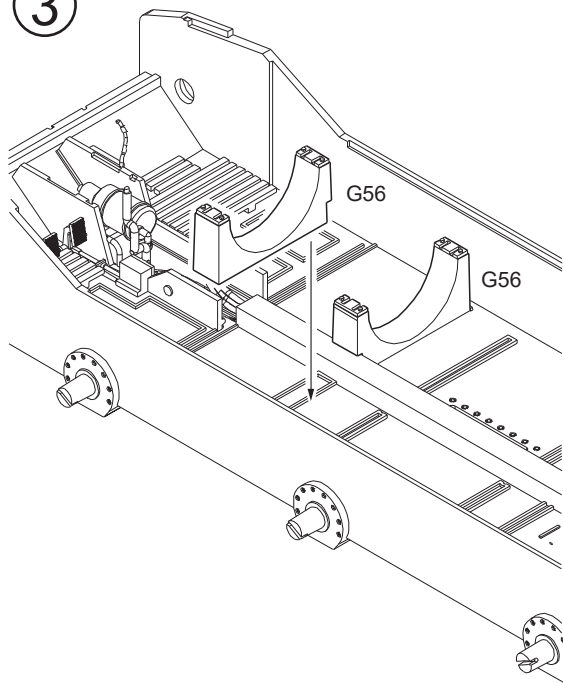
1



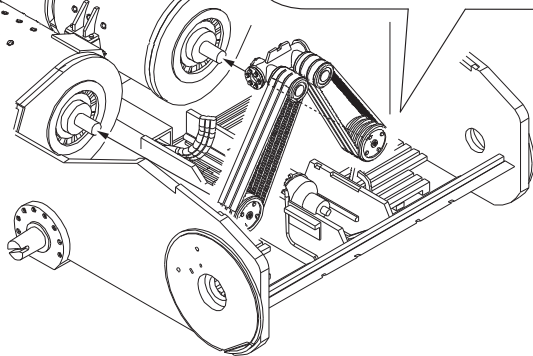
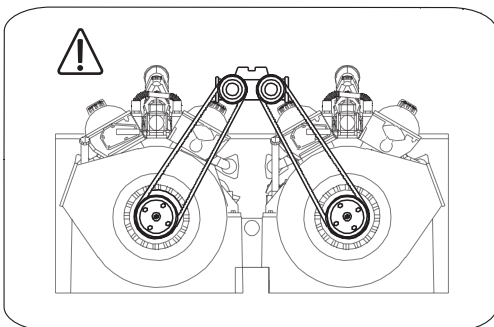
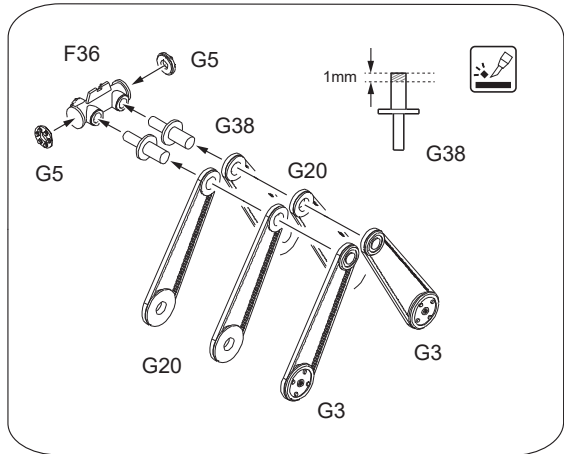
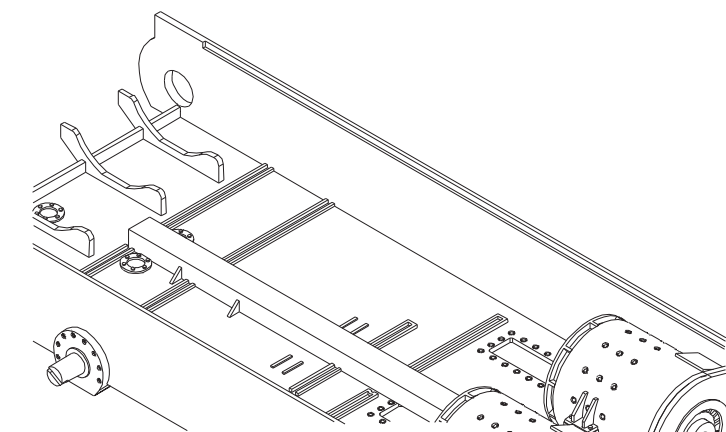
2



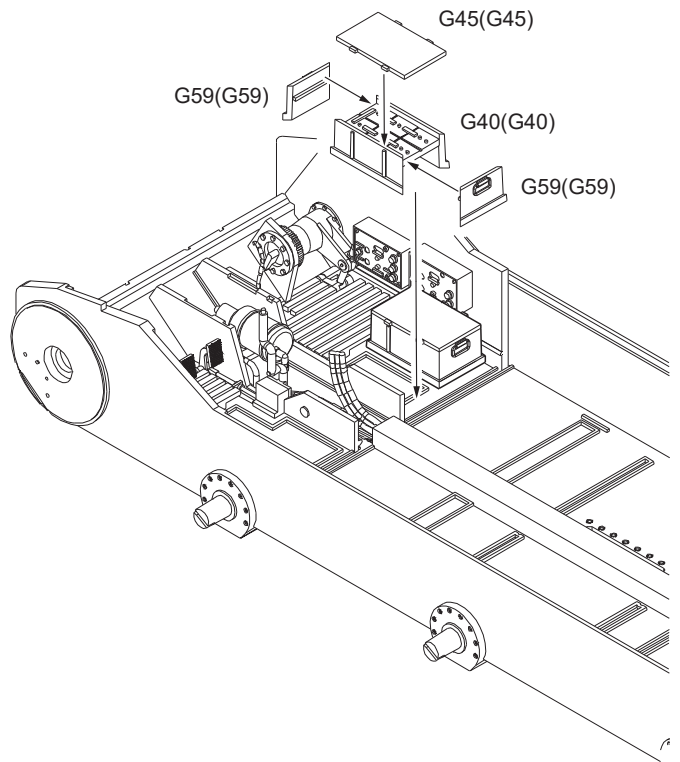
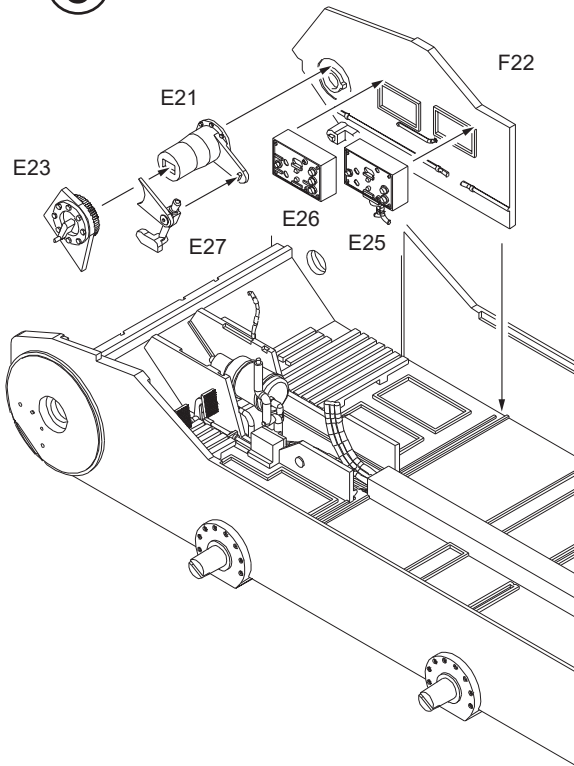
3



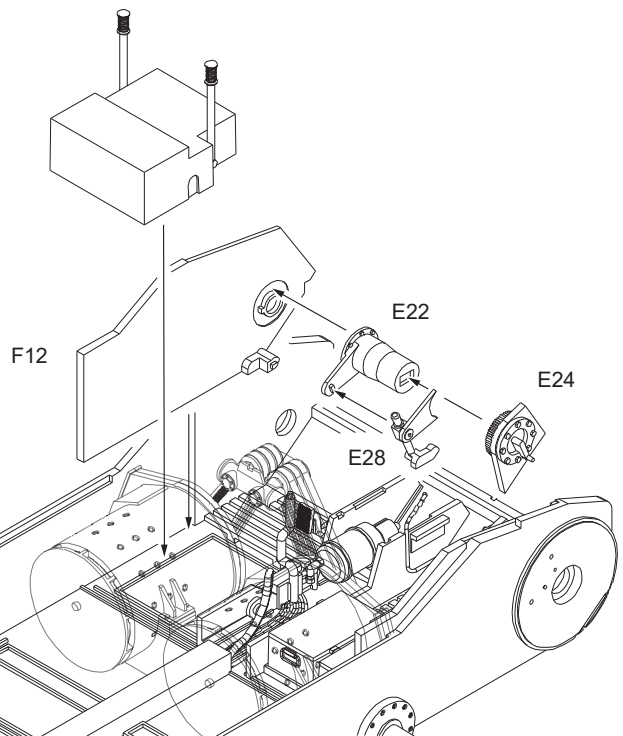
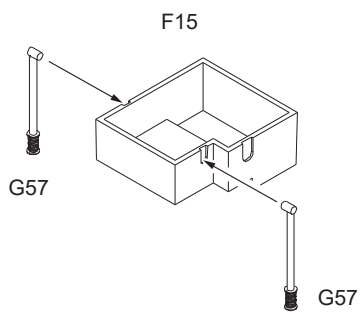
4



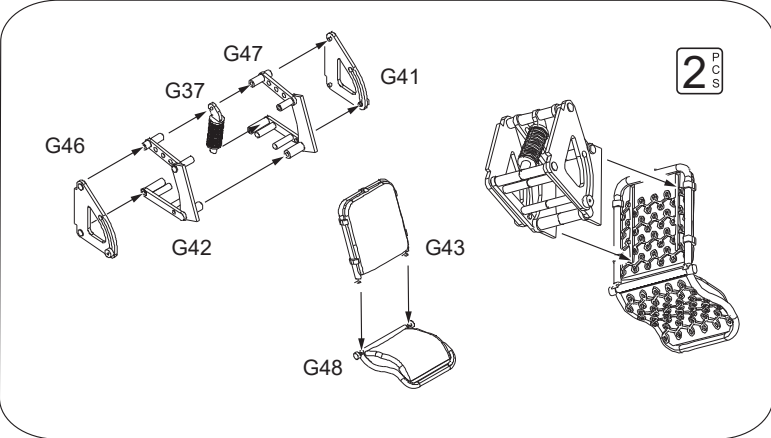
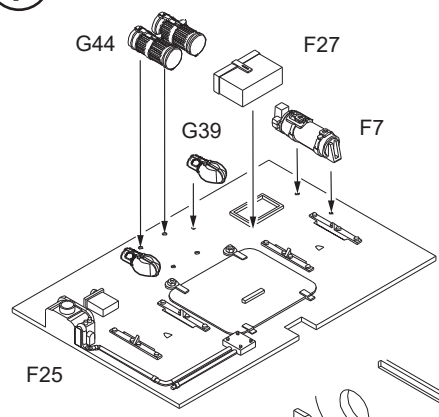
5



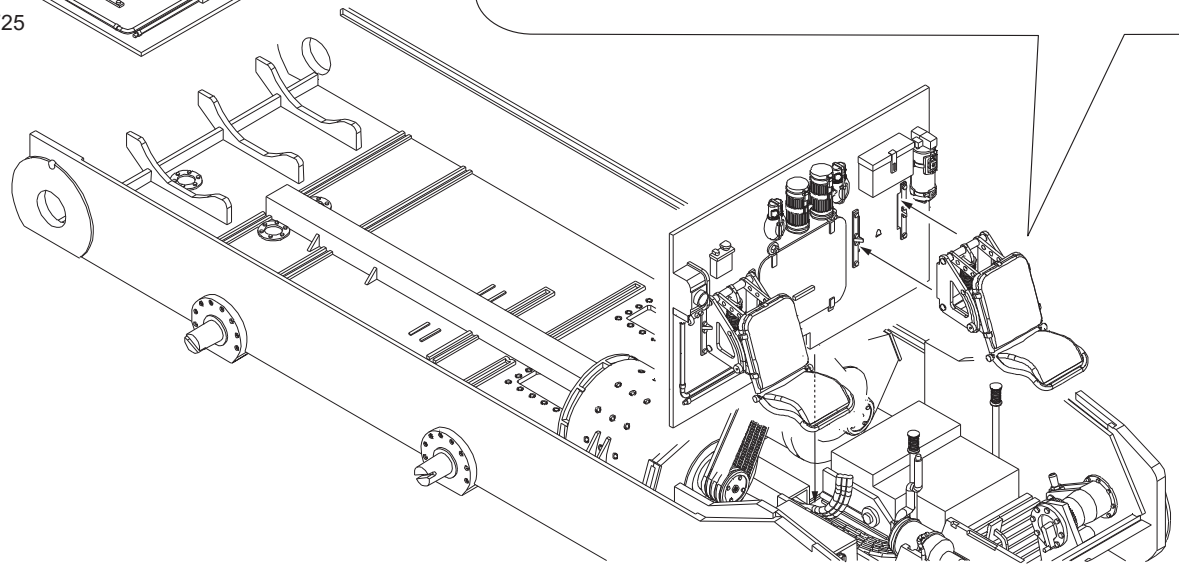
6



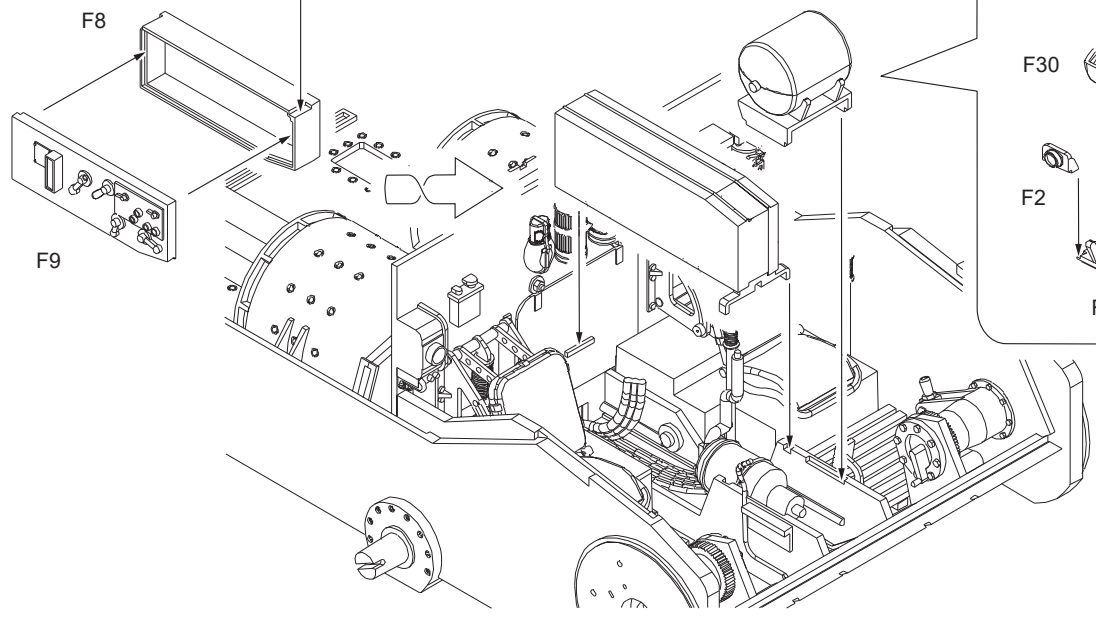
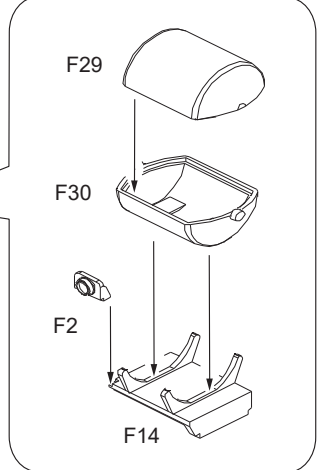
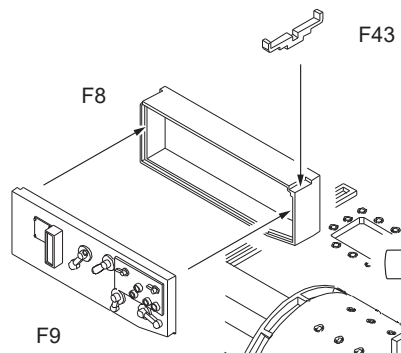
7



2 PAGES

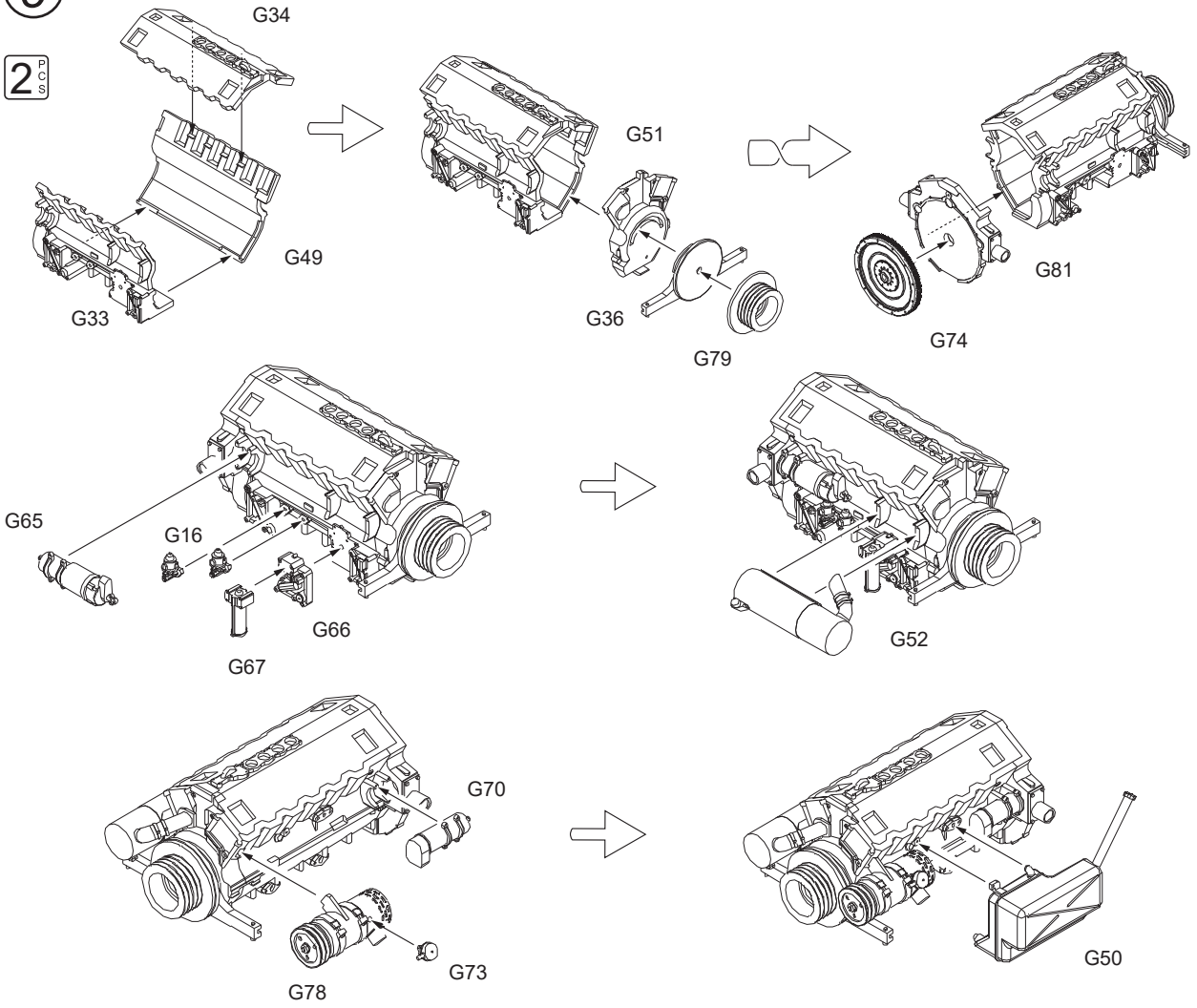


8



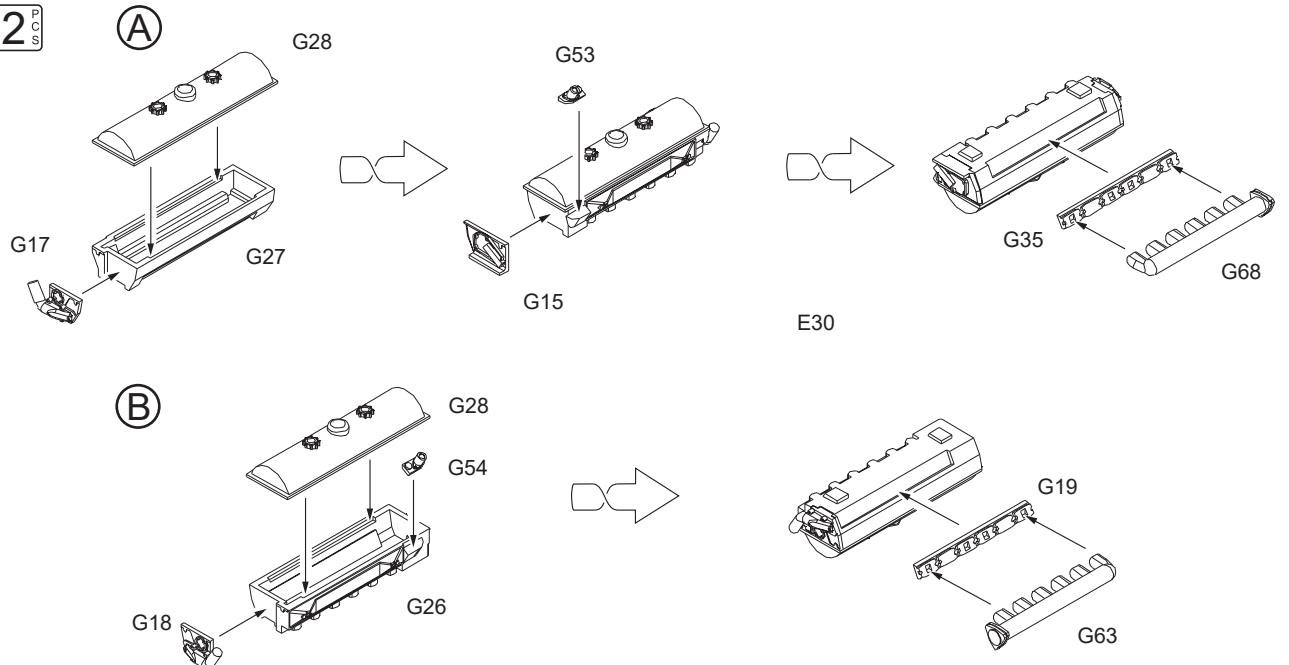
9

2 PCS



10

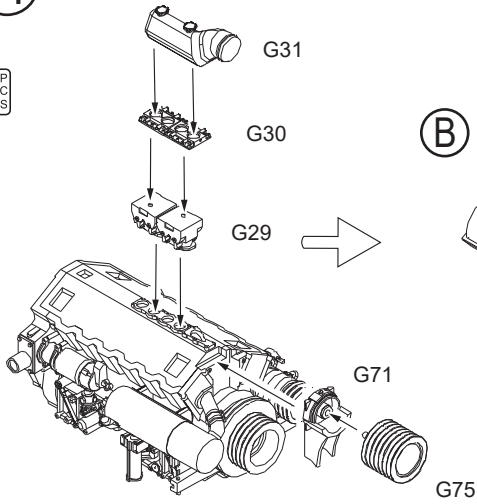
2 PCS



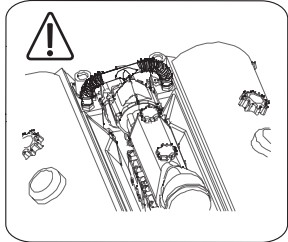
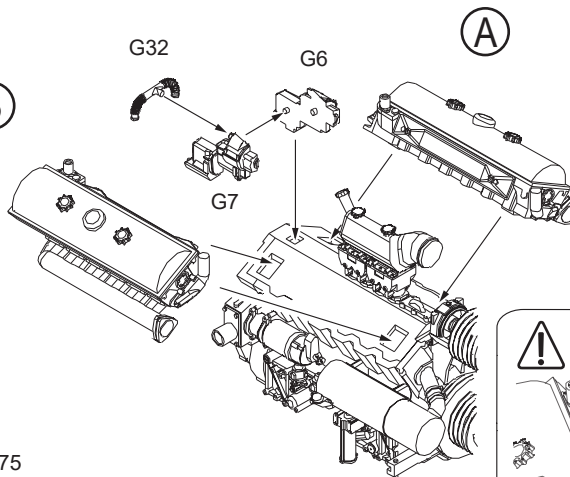


11

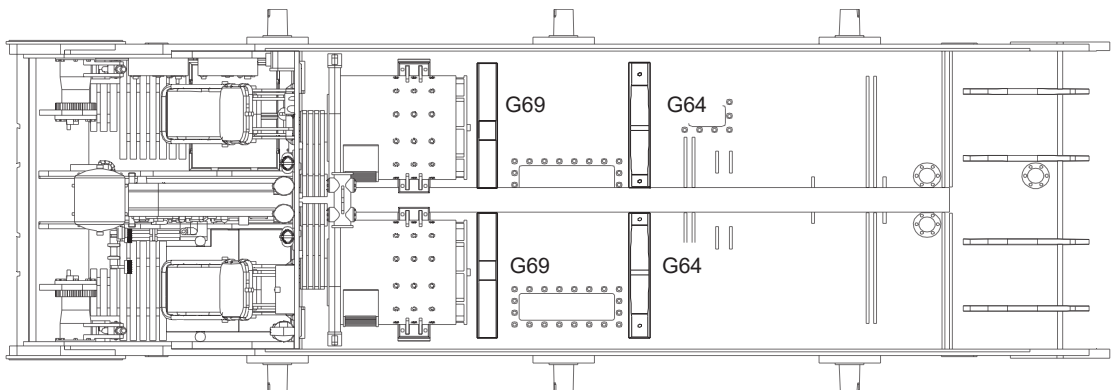
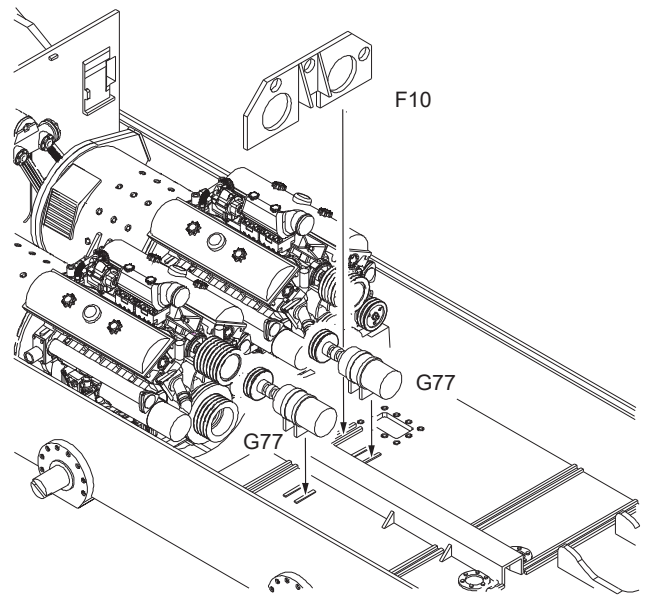
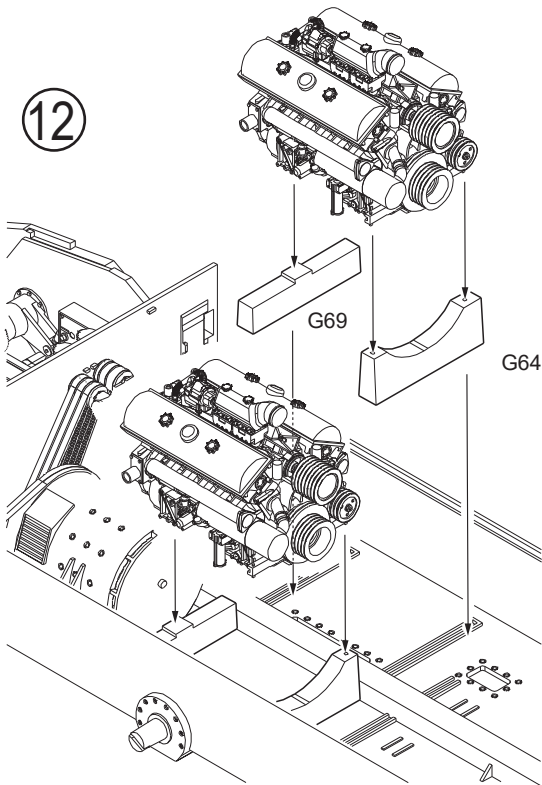
2



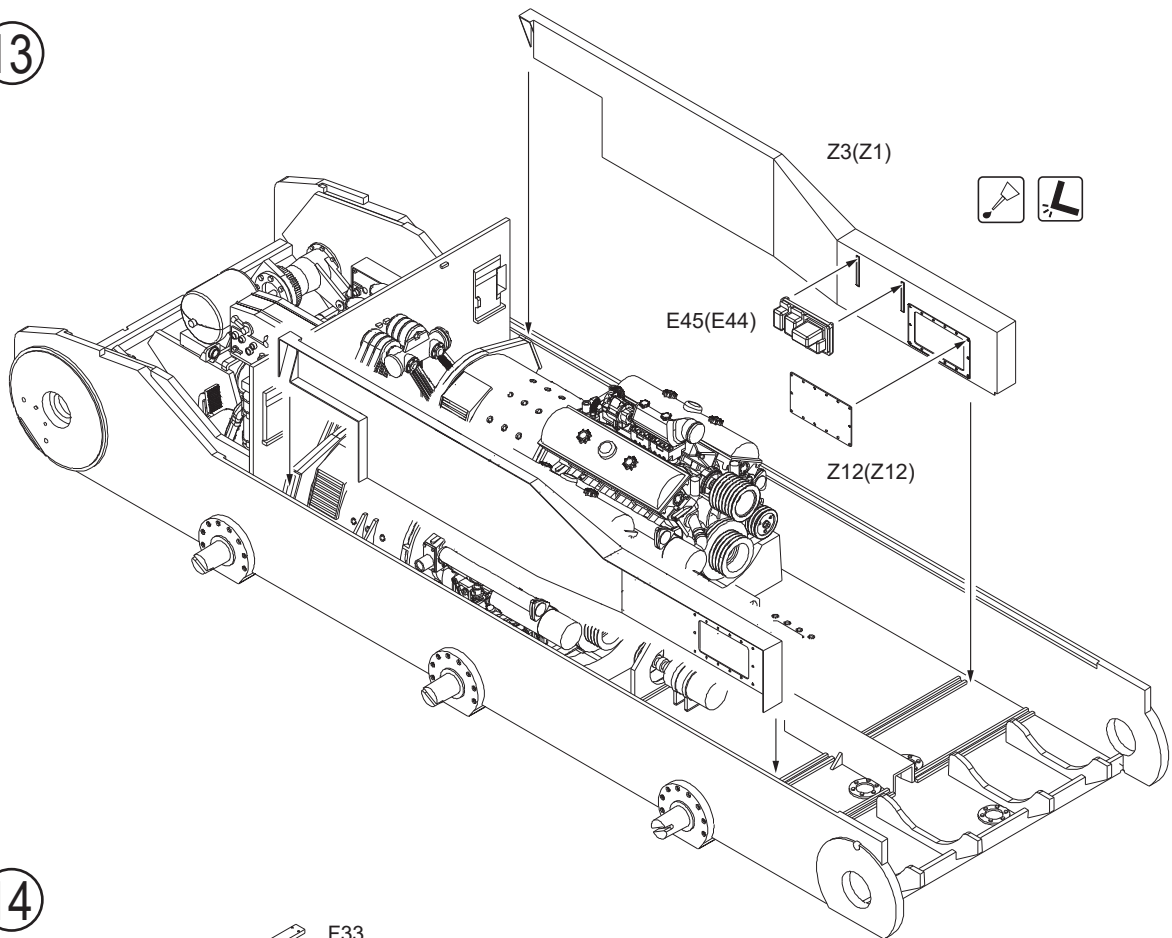
B



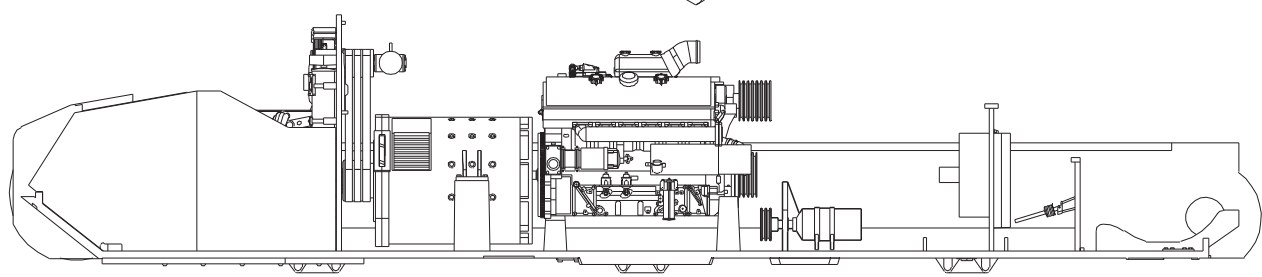
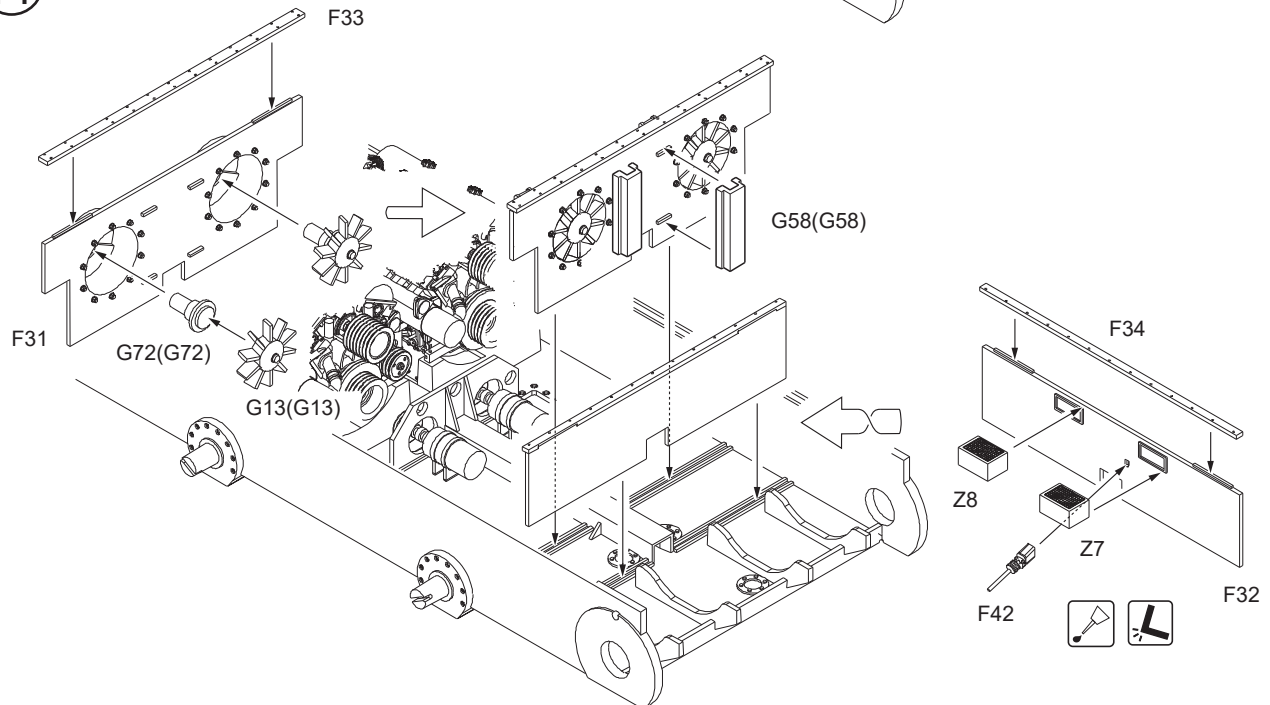
12



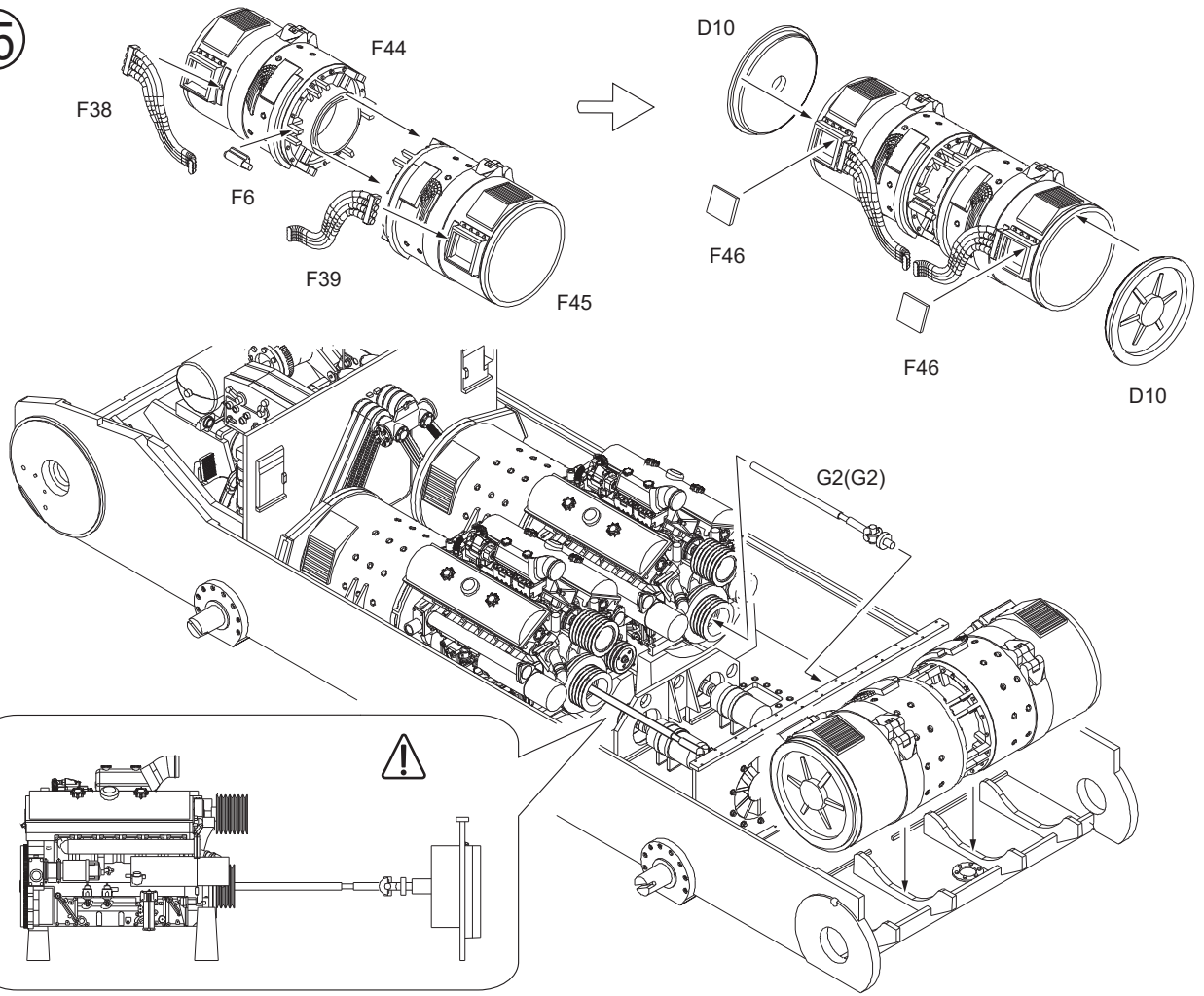
13



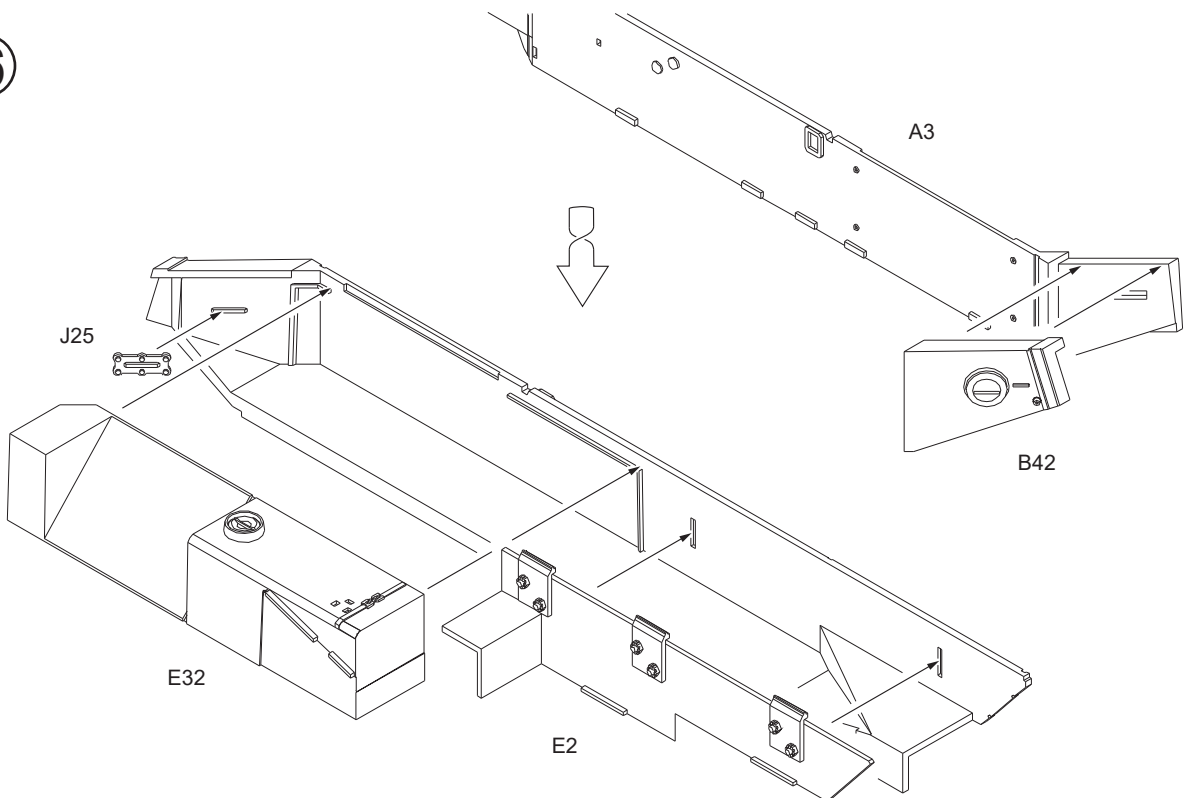
14



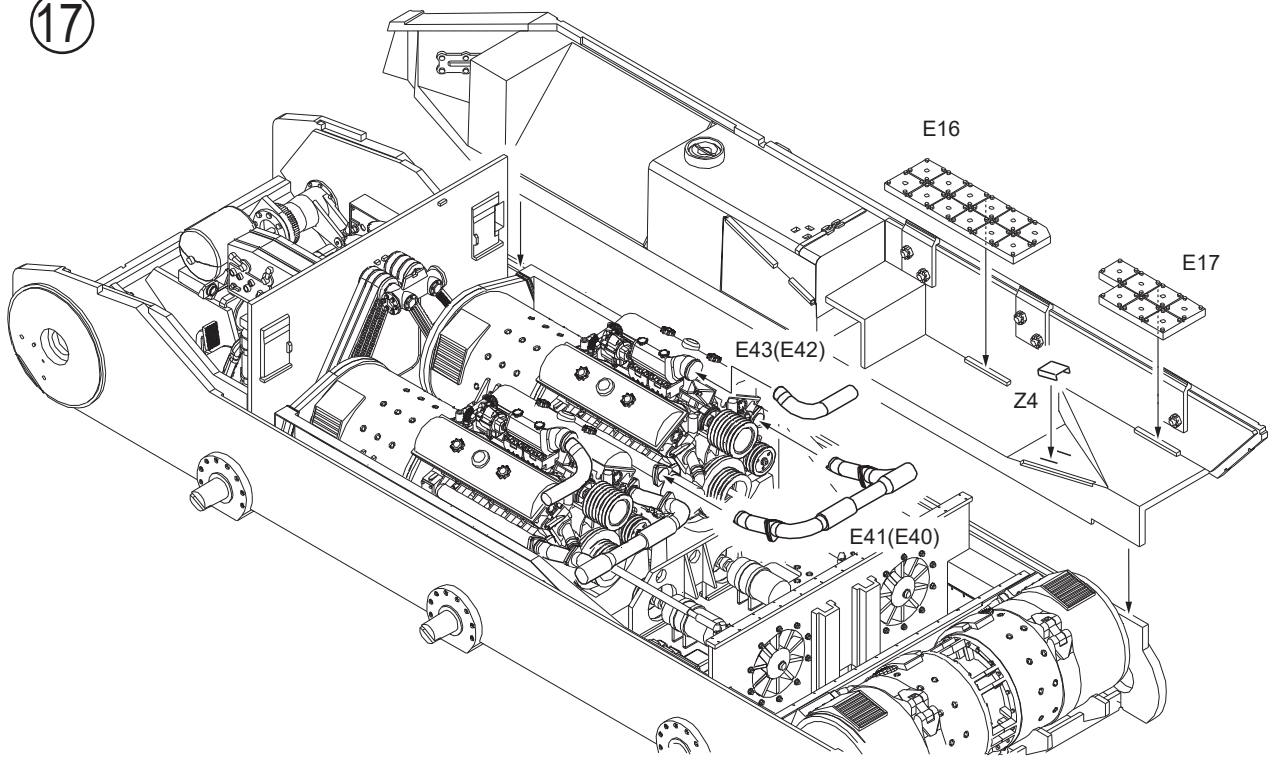
15



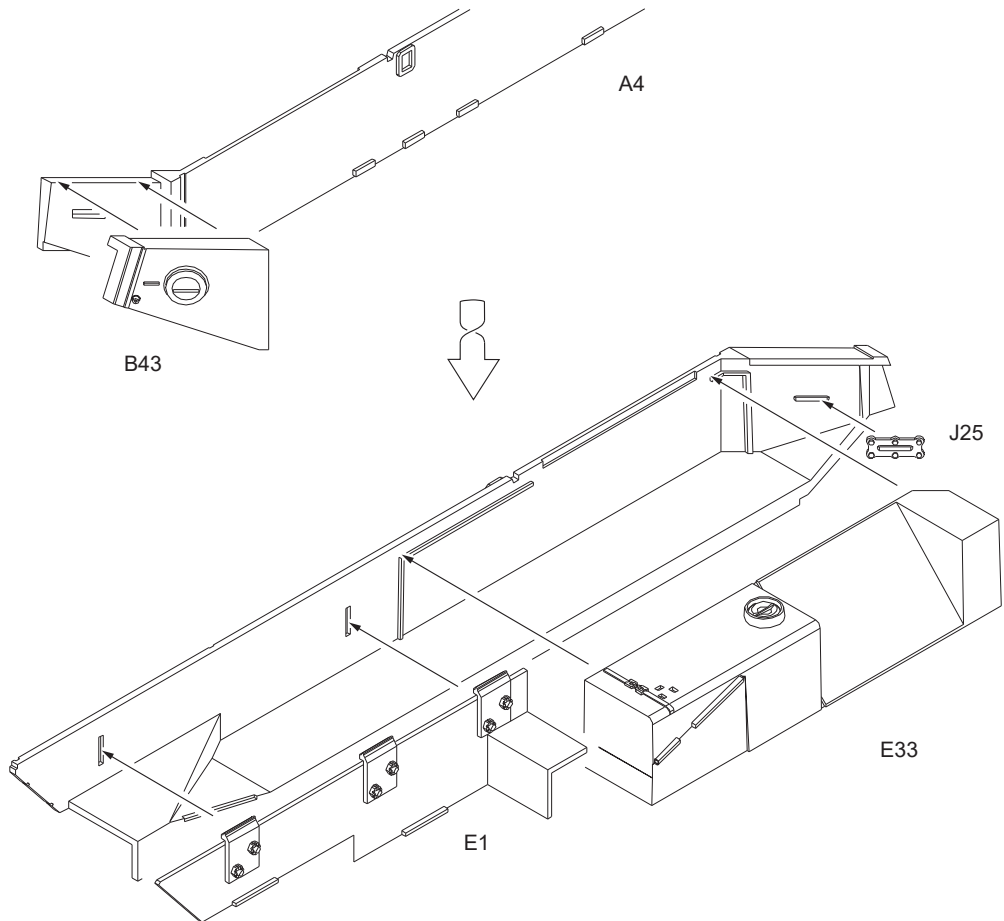
16



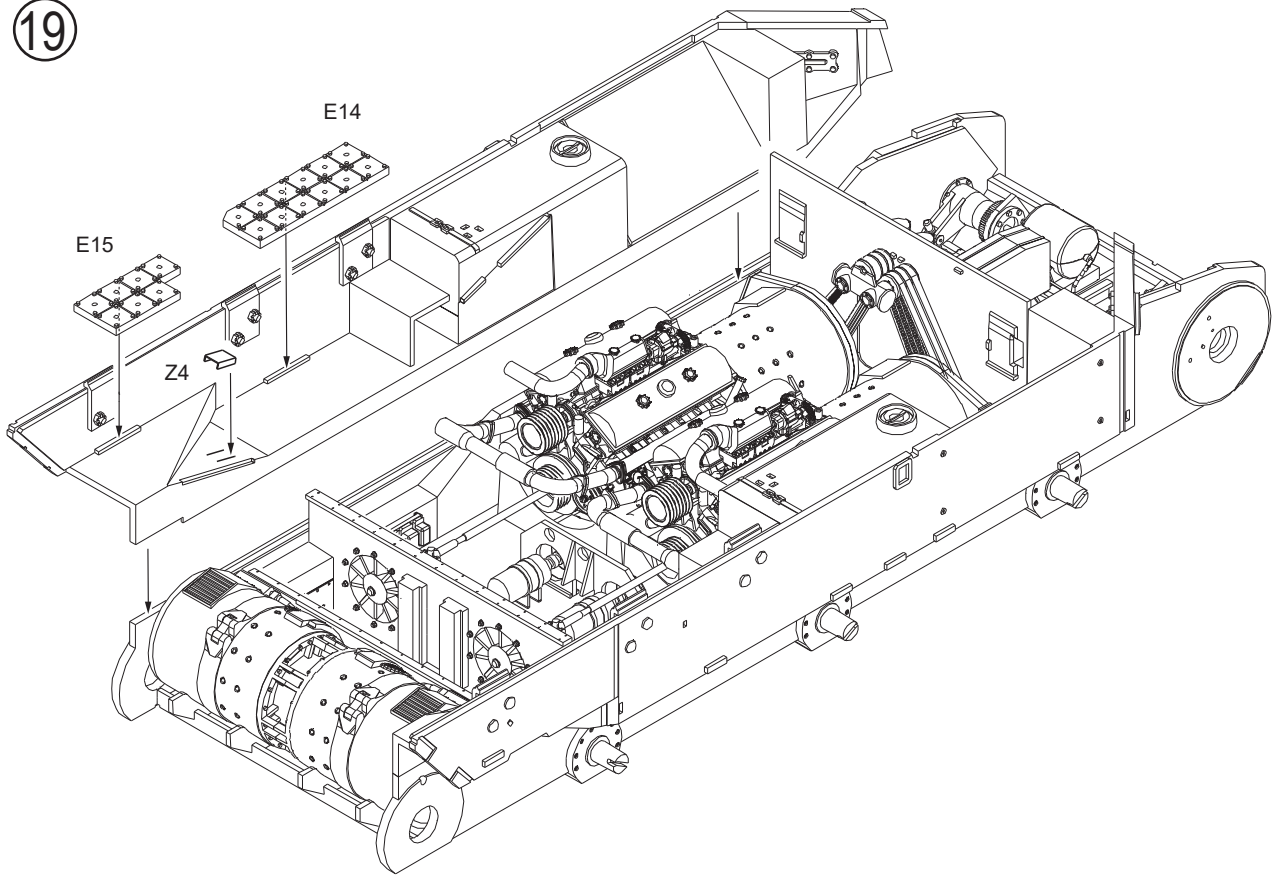
17



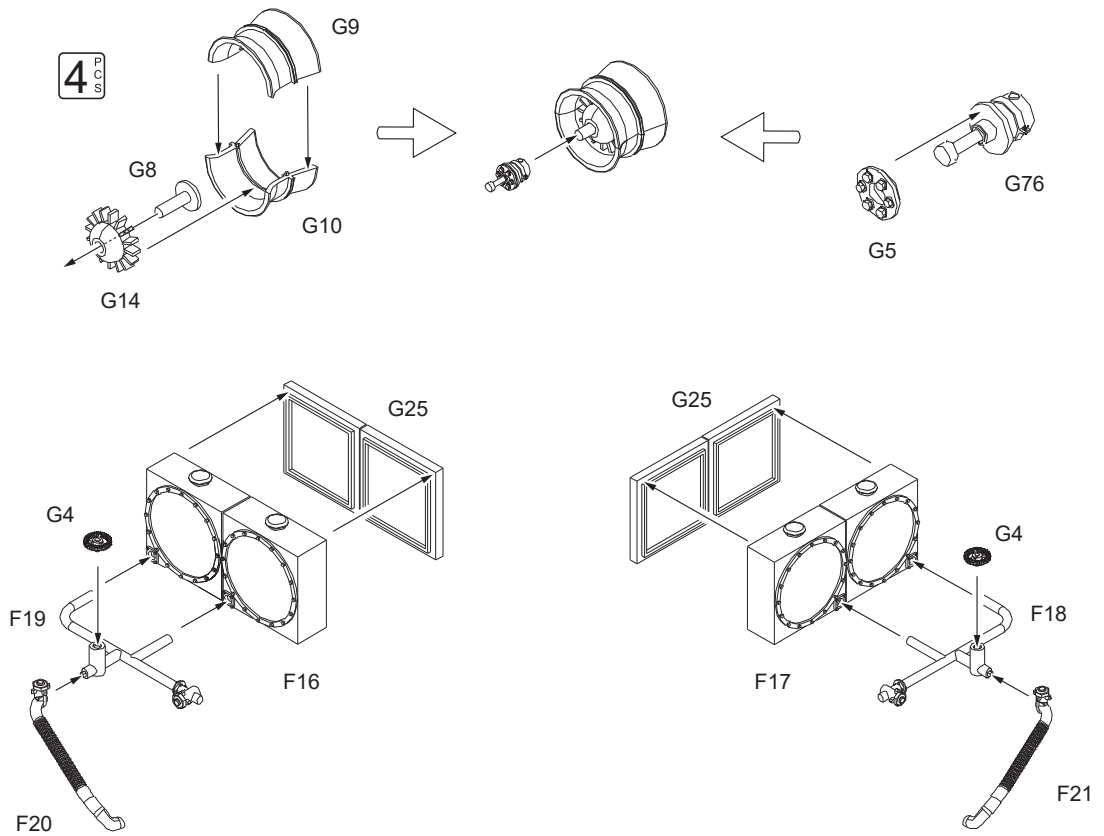
18



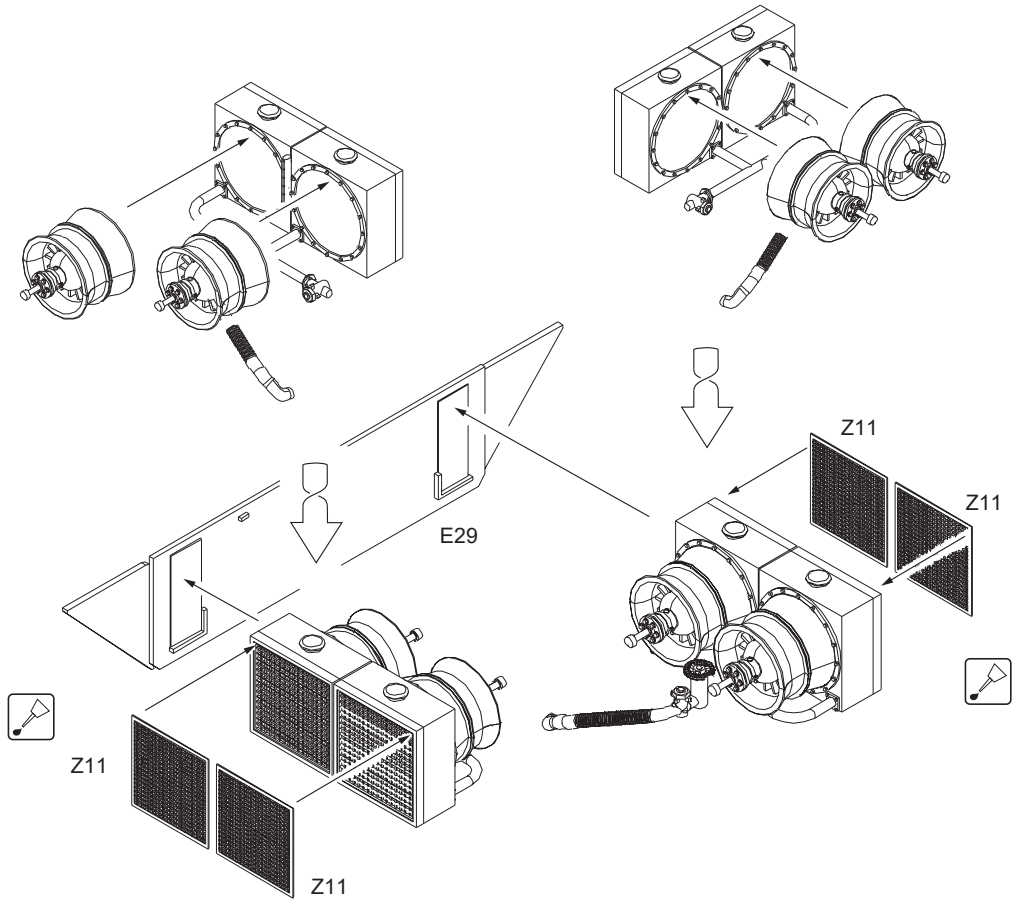
19



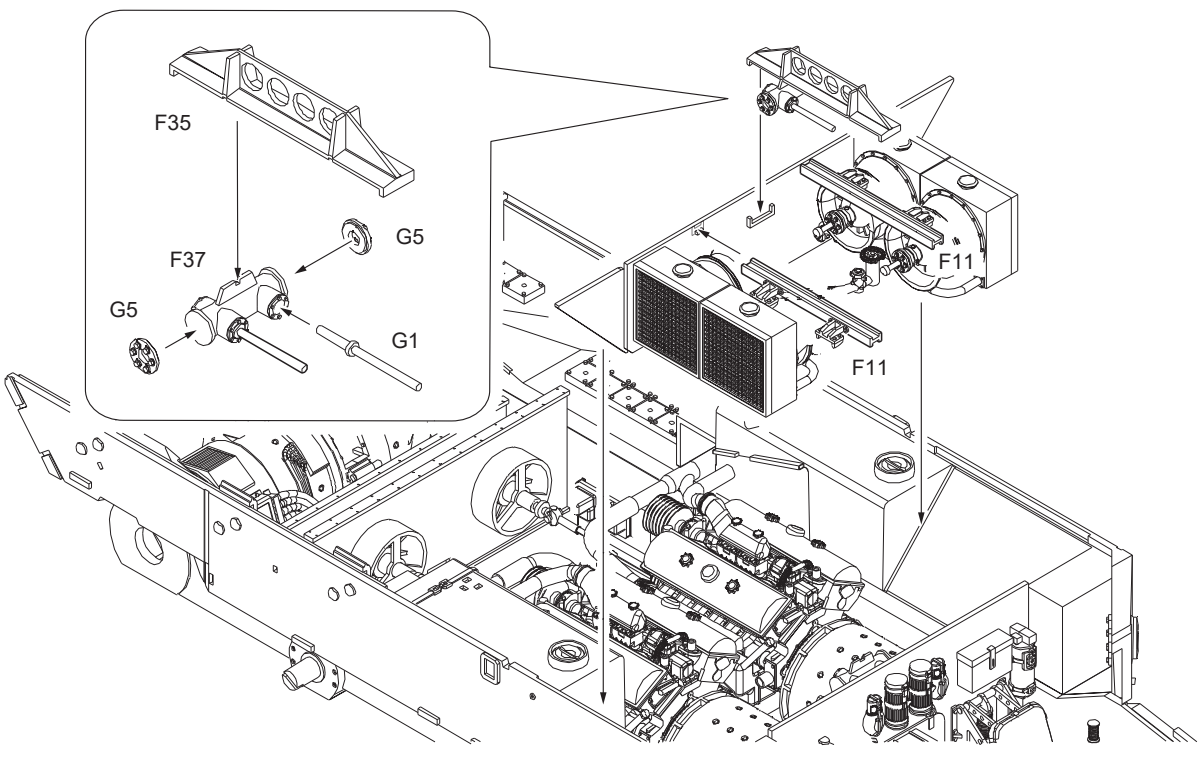
20



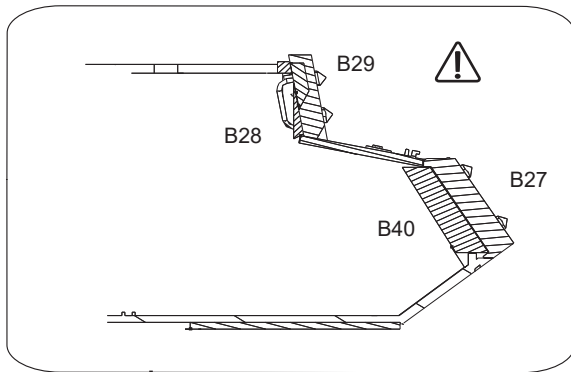
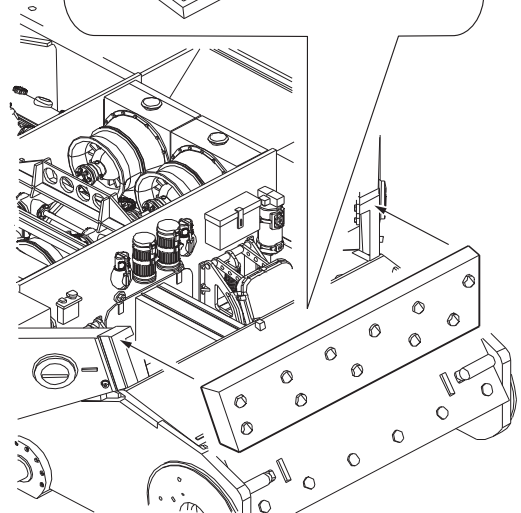
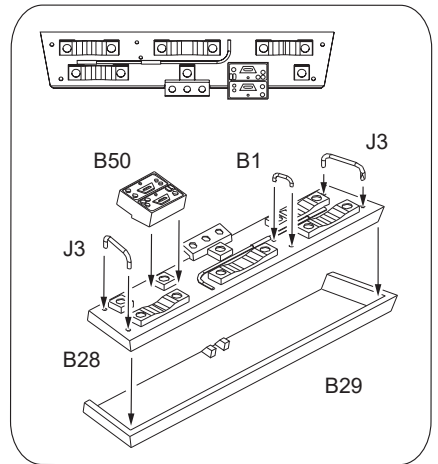
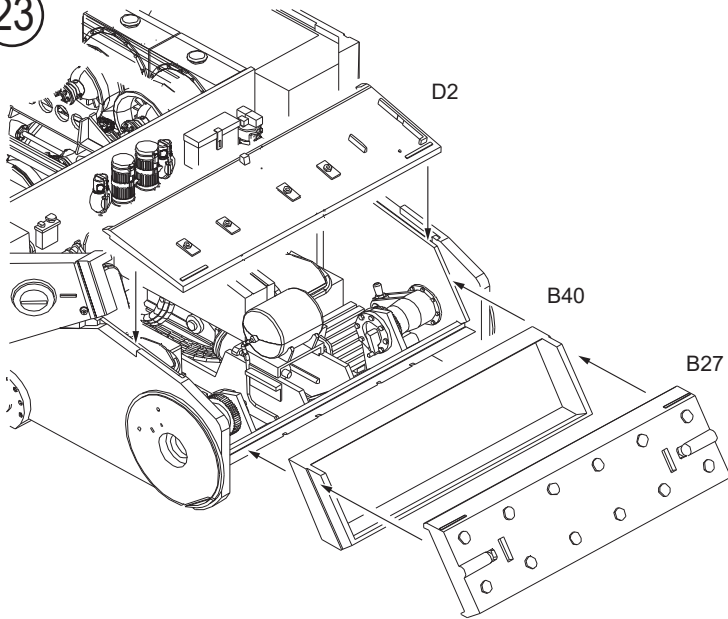
21



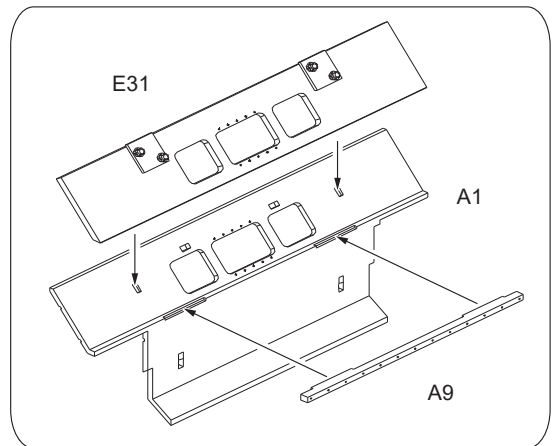
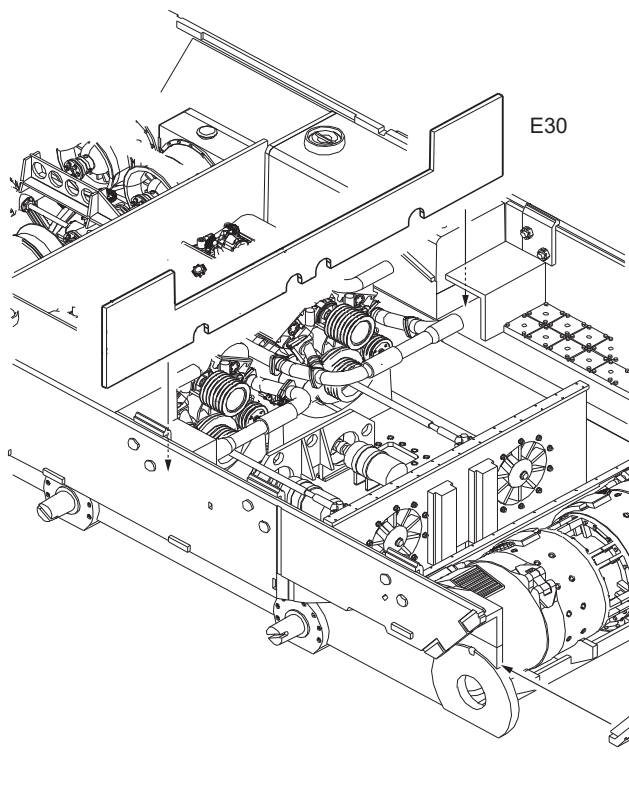
22



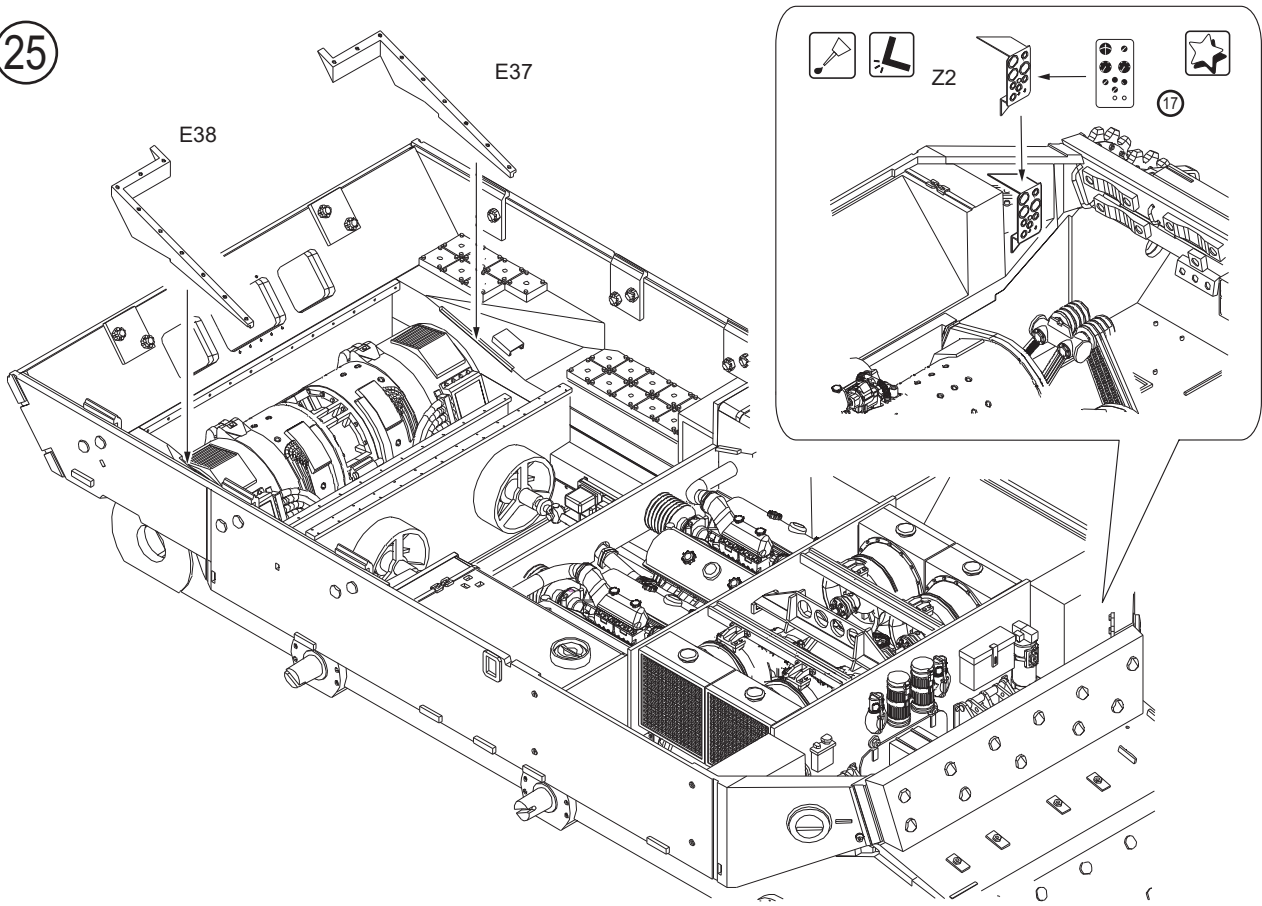
23



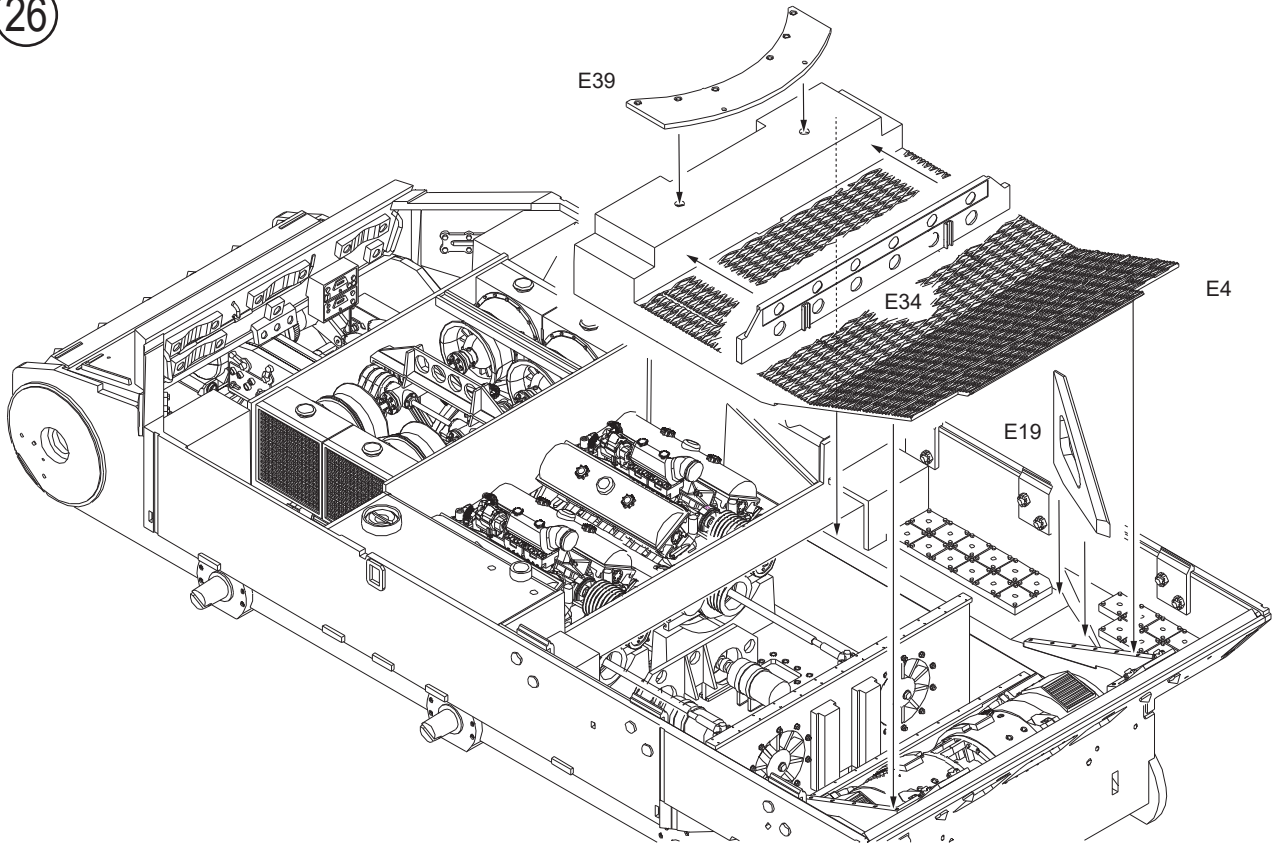
24



25

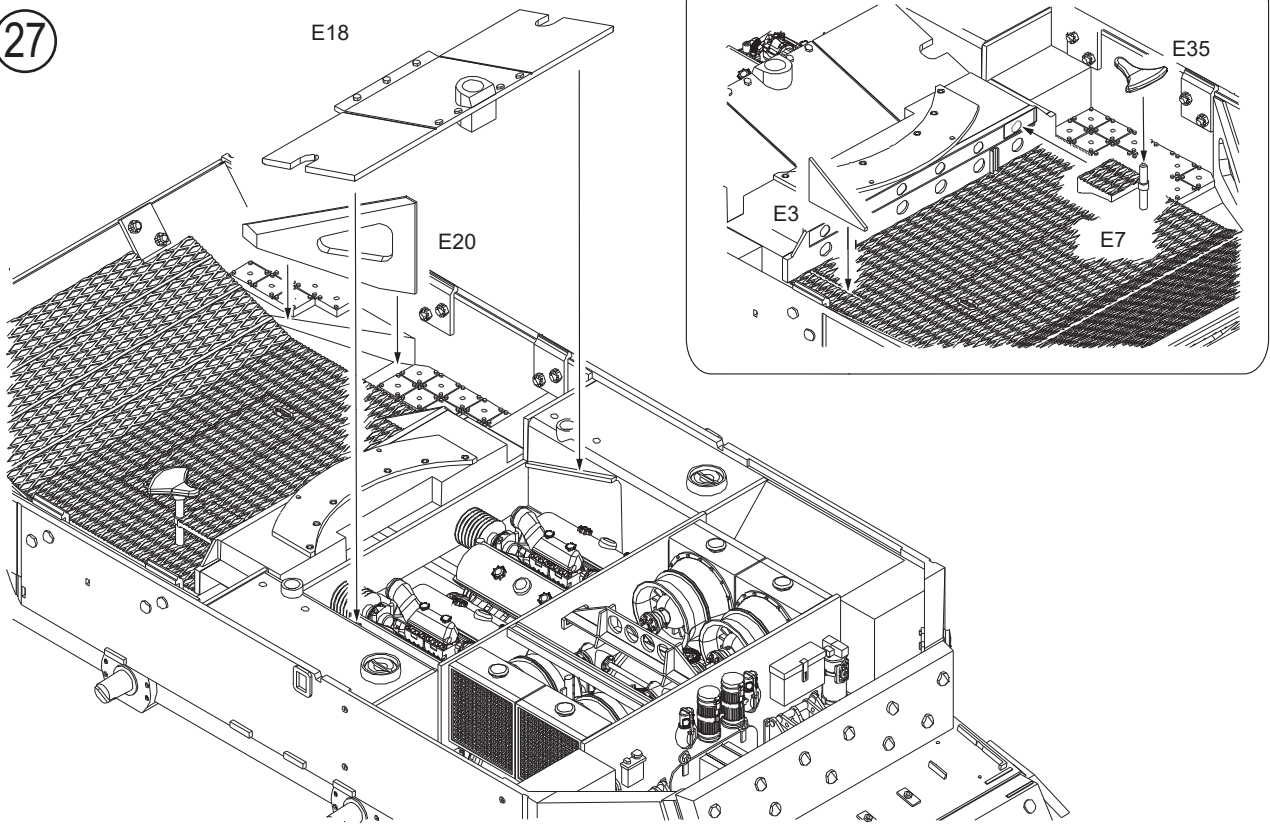


26

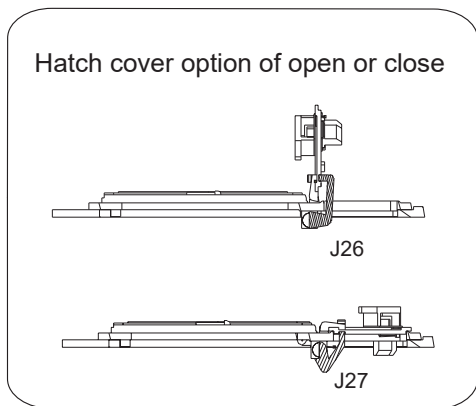
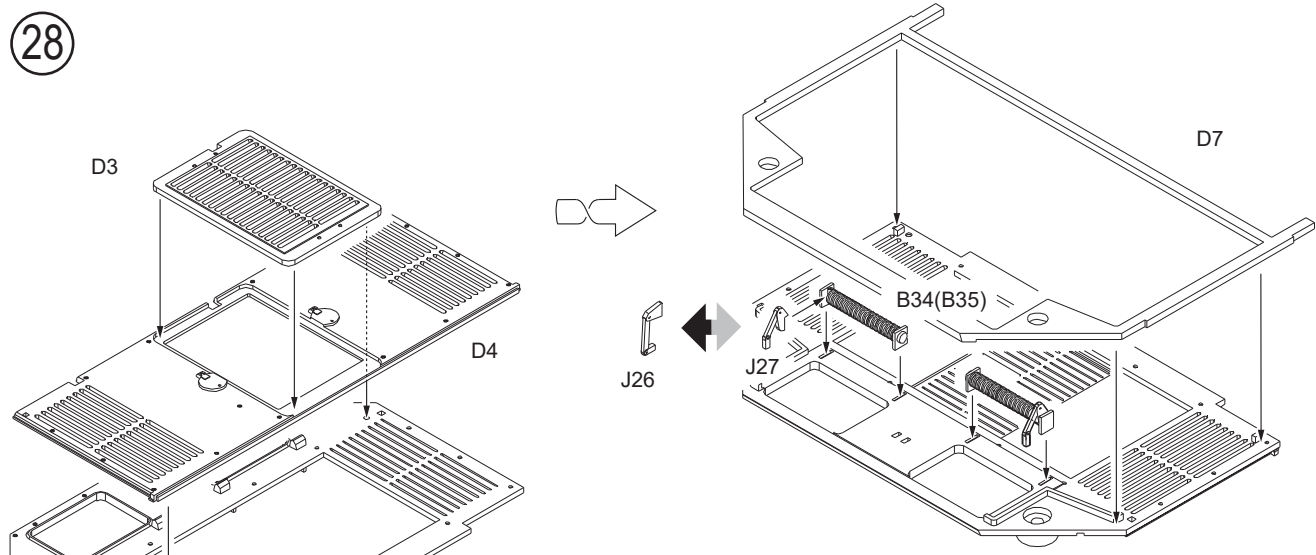




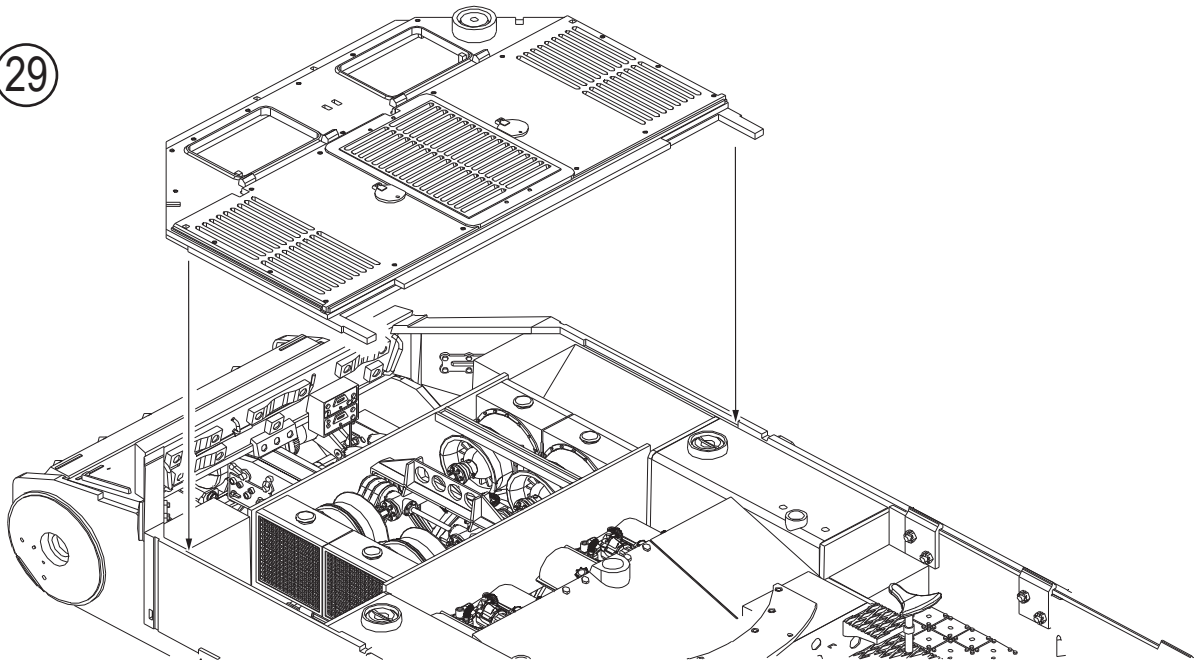
27



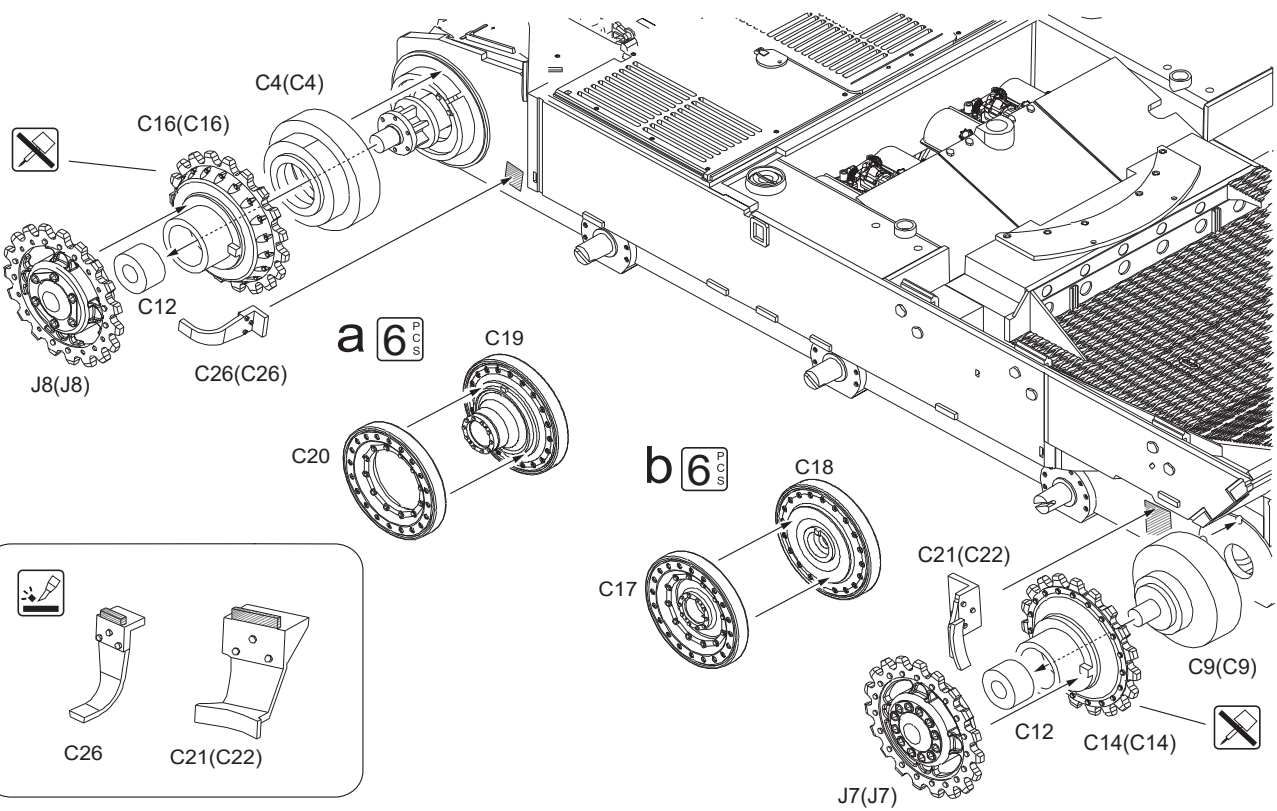
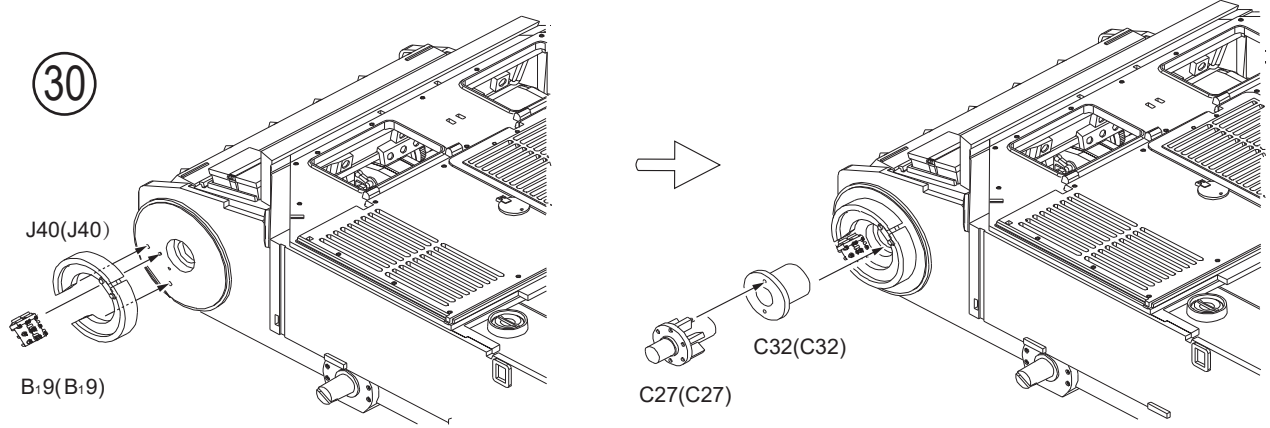
28



29

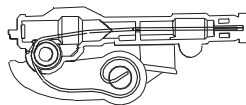
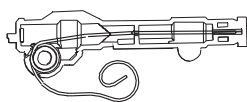
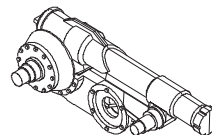
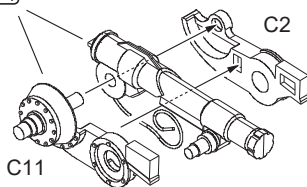
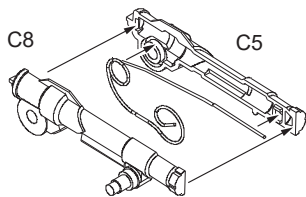


30

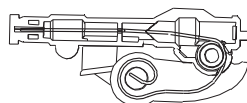
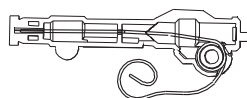
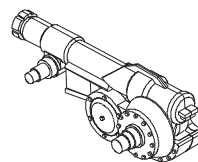
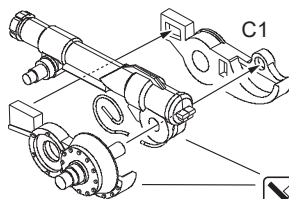
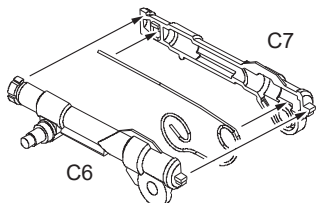


31

c 3 POS



d 3 POS



32



c

C23



c

C23



d

C23



C23

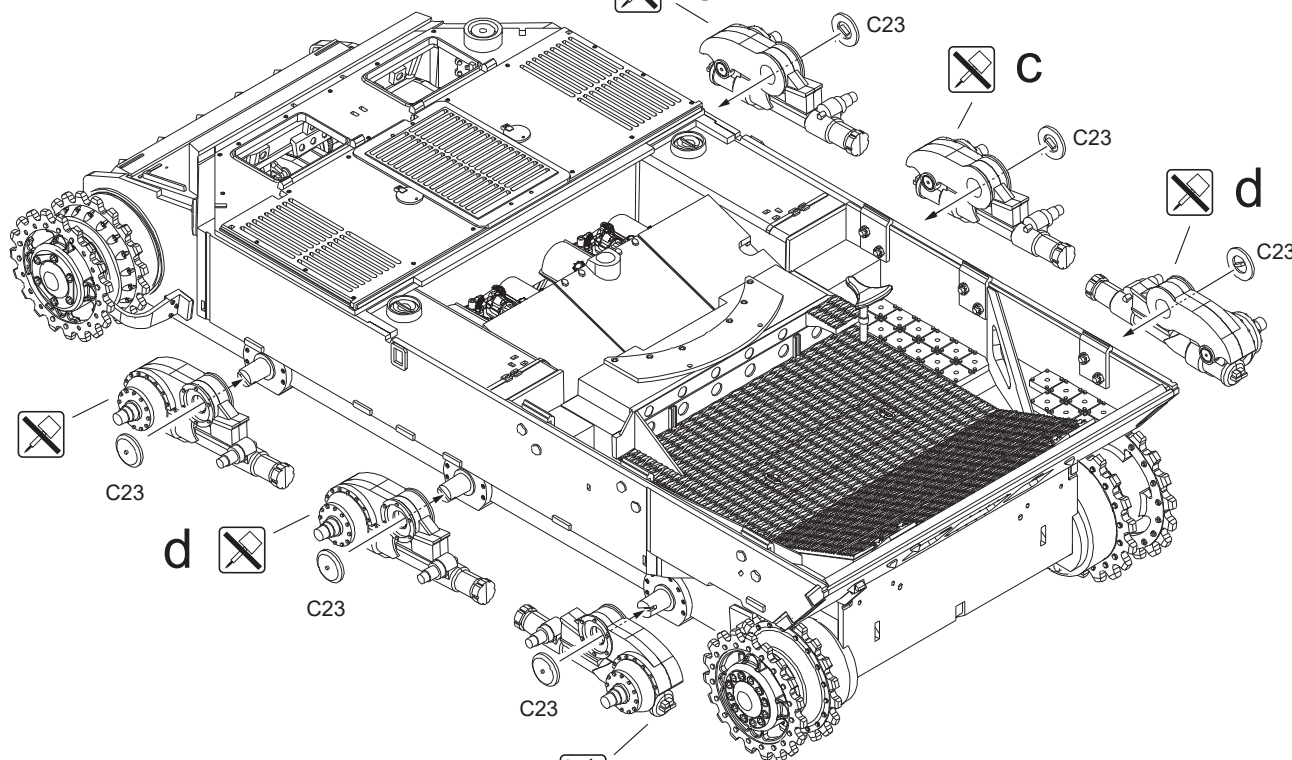


C23

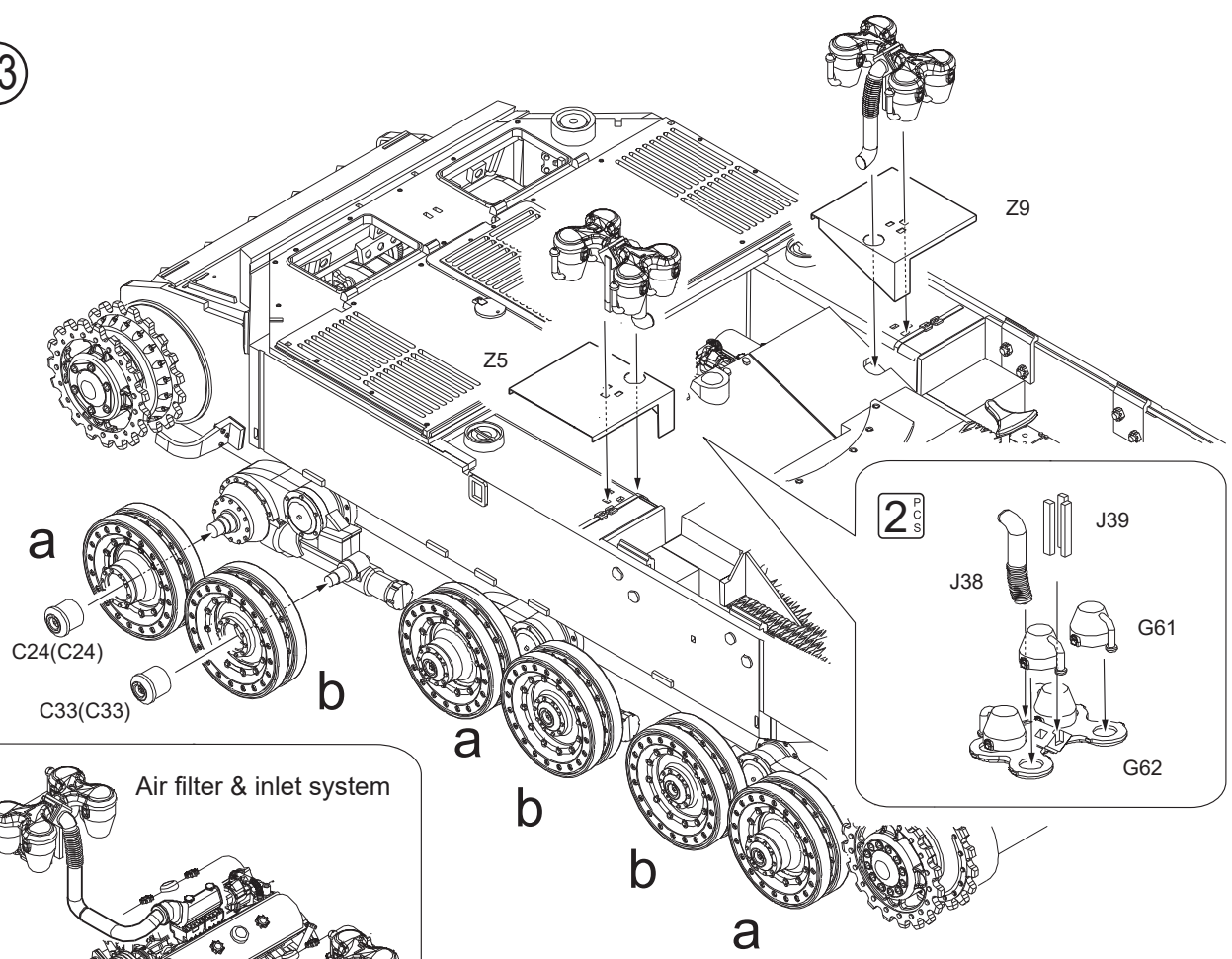
C23



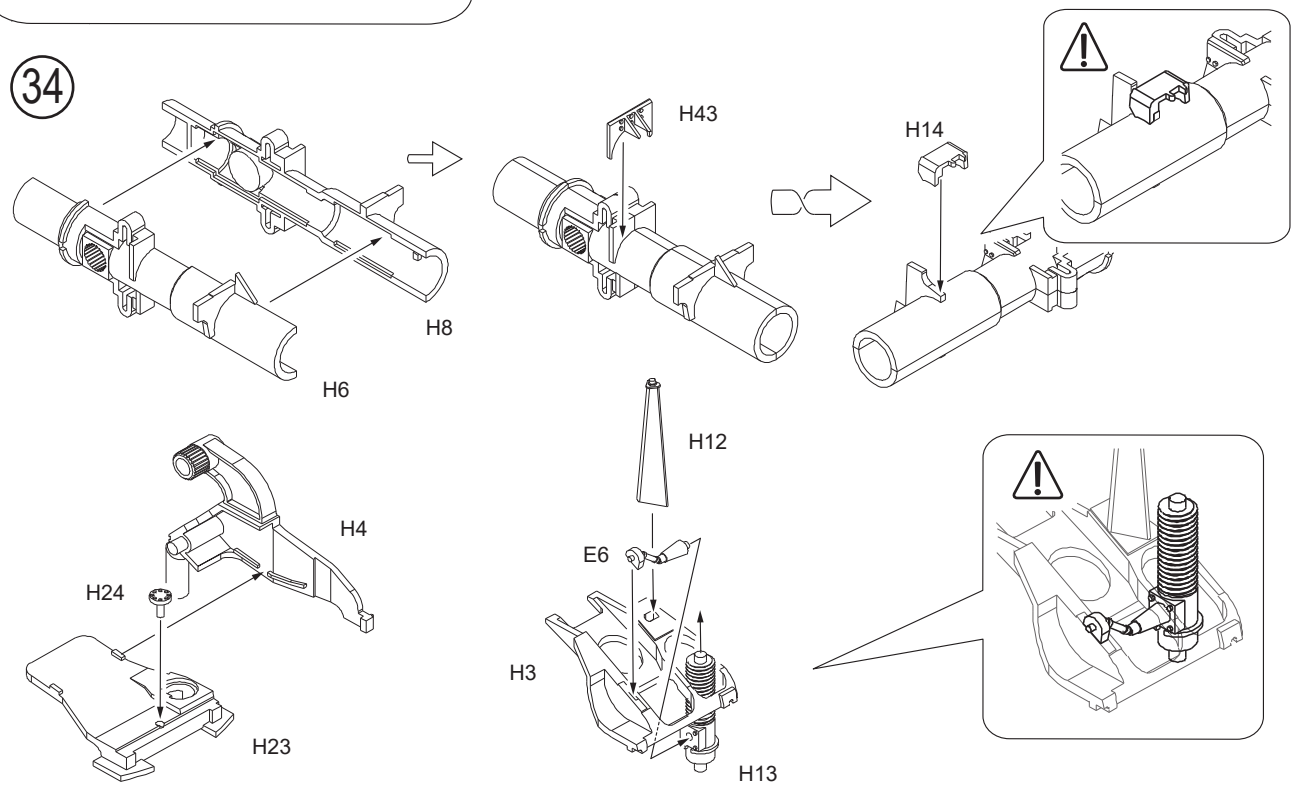
c



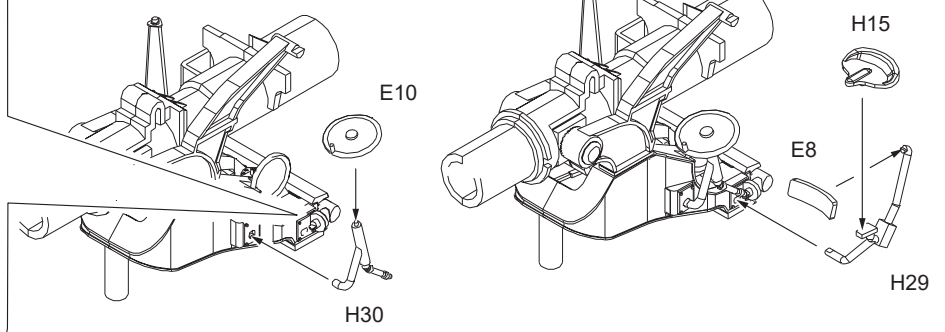
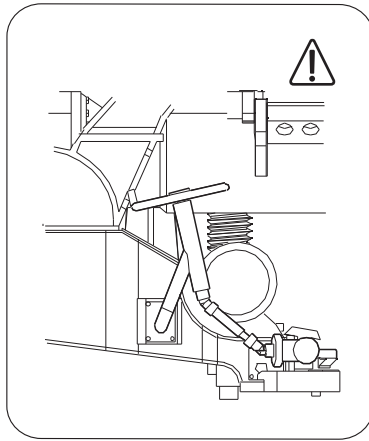
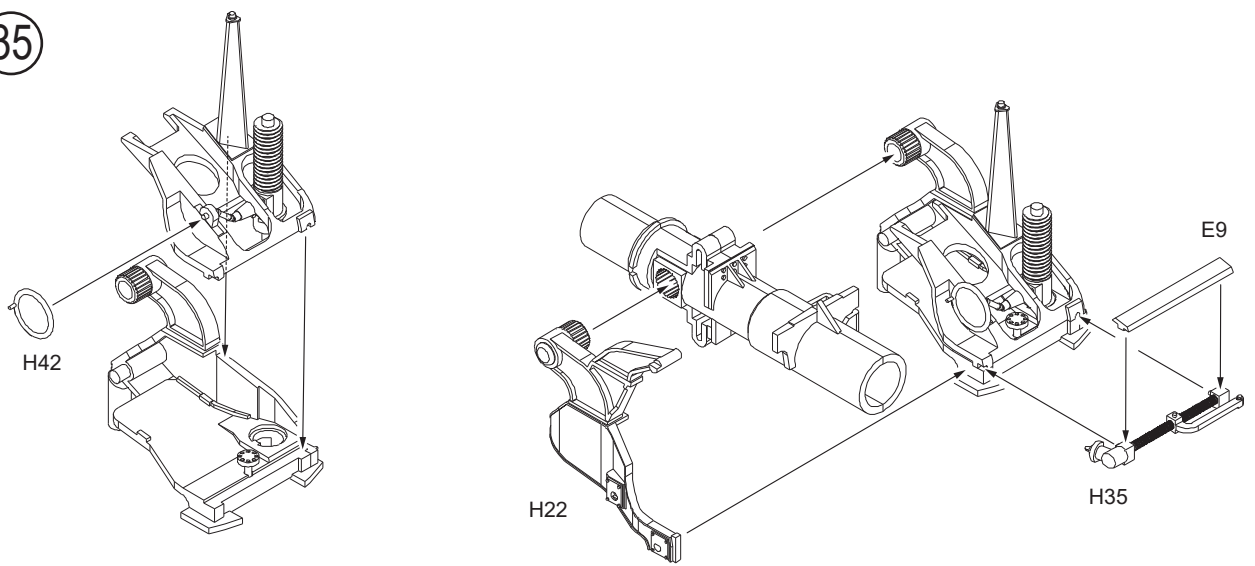
33



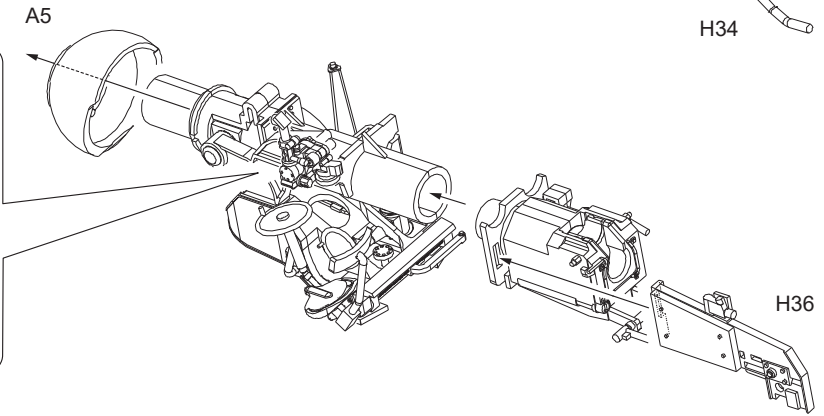
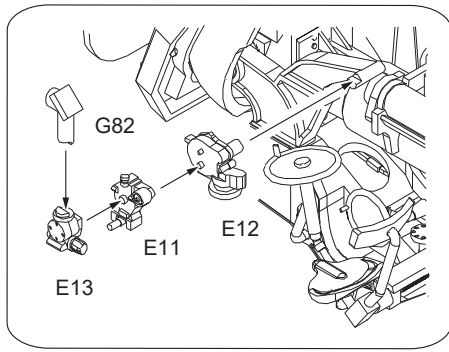
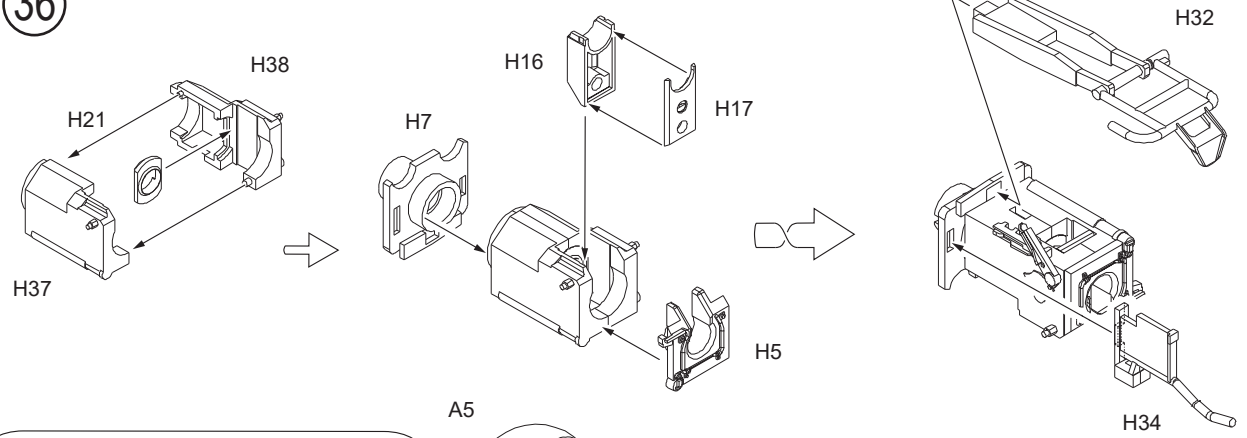
34



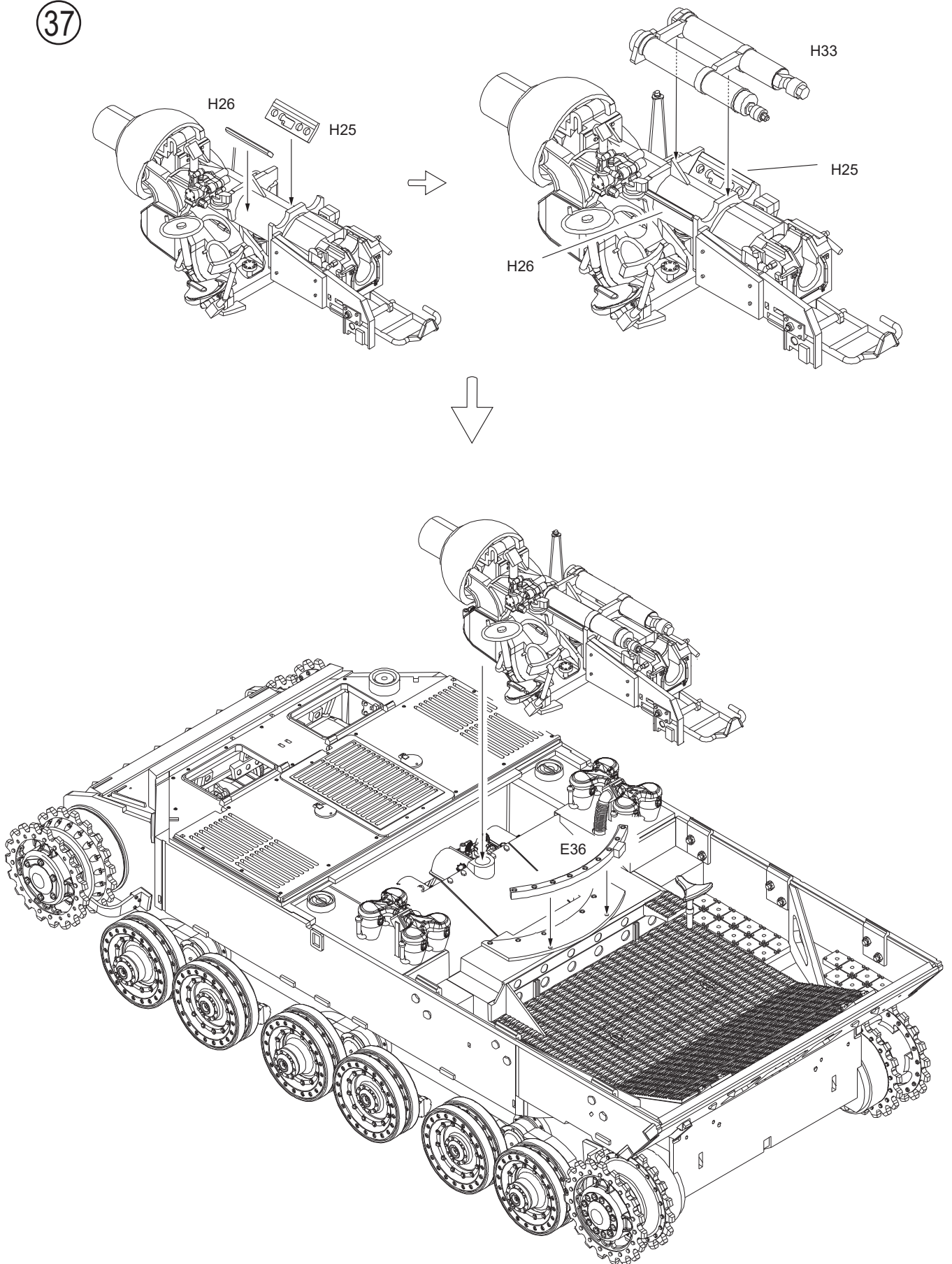
35



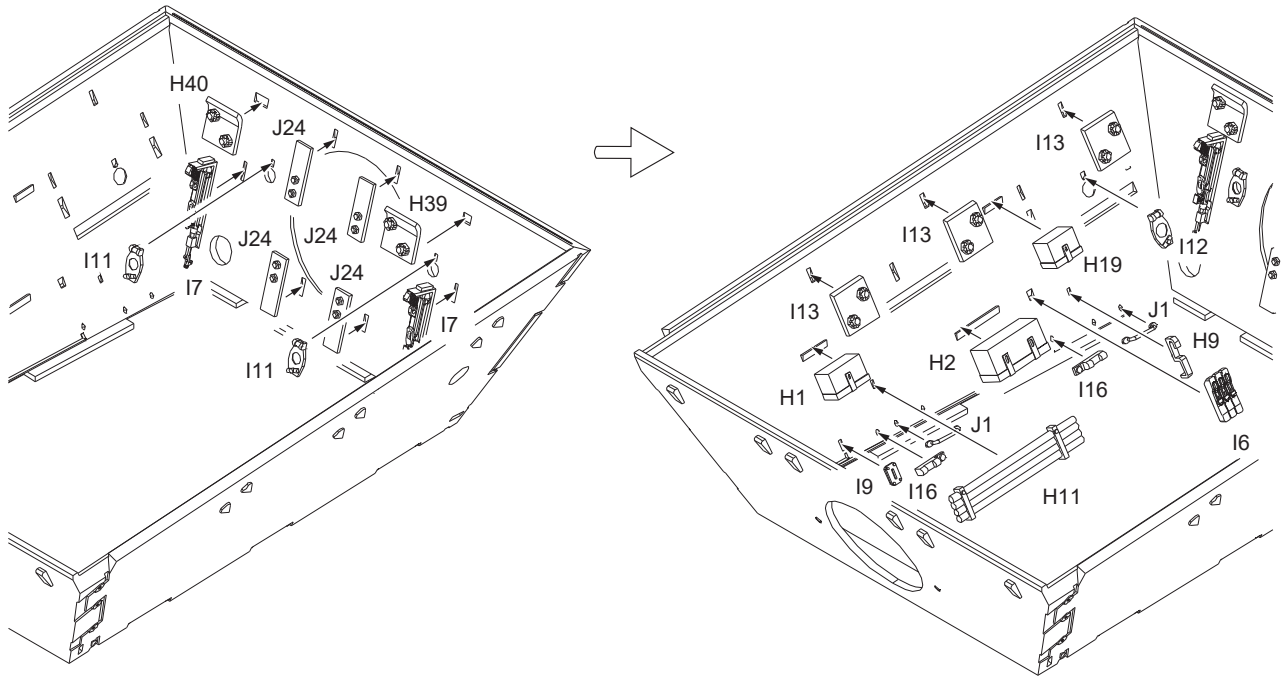
36



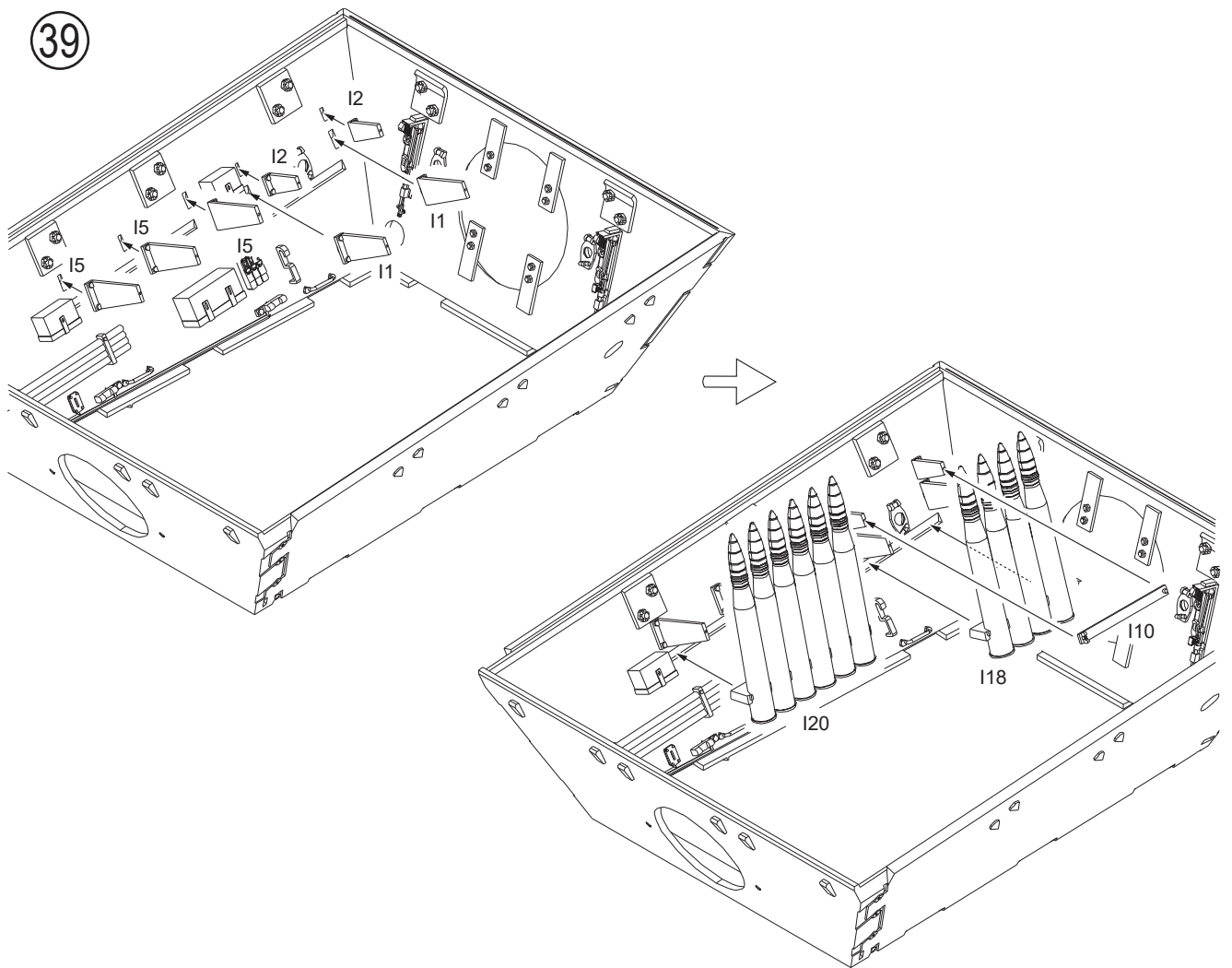
37



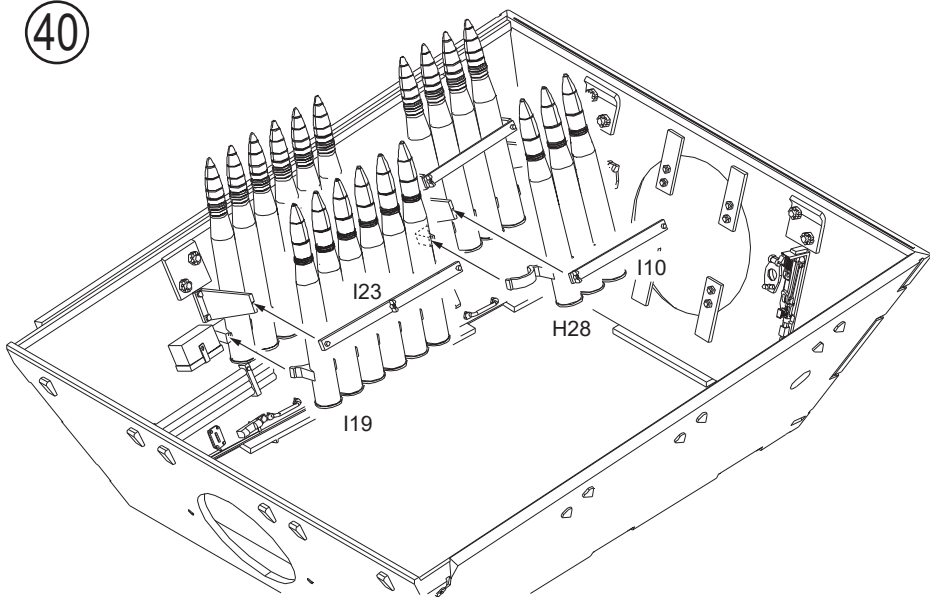
38



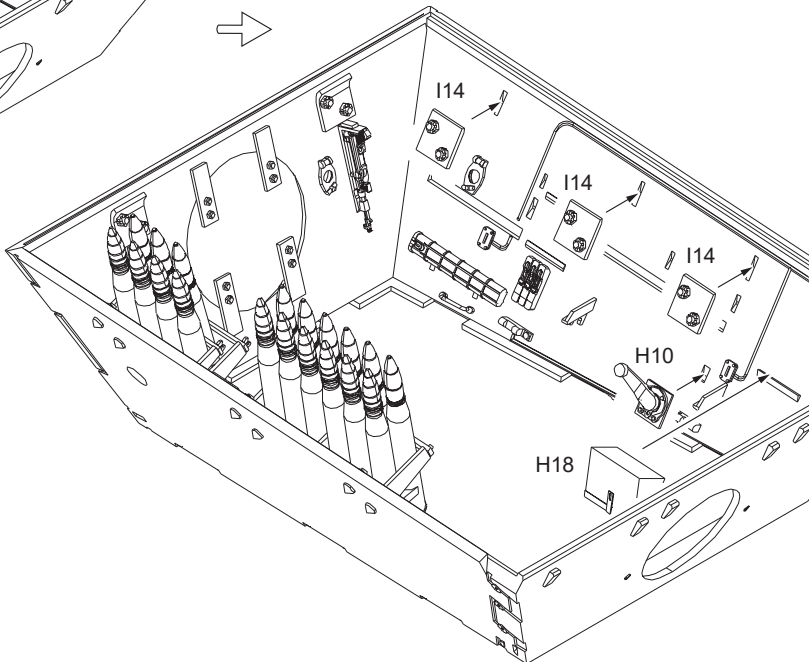
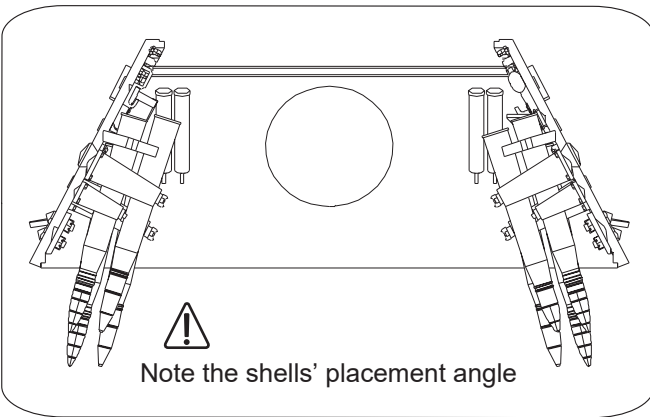
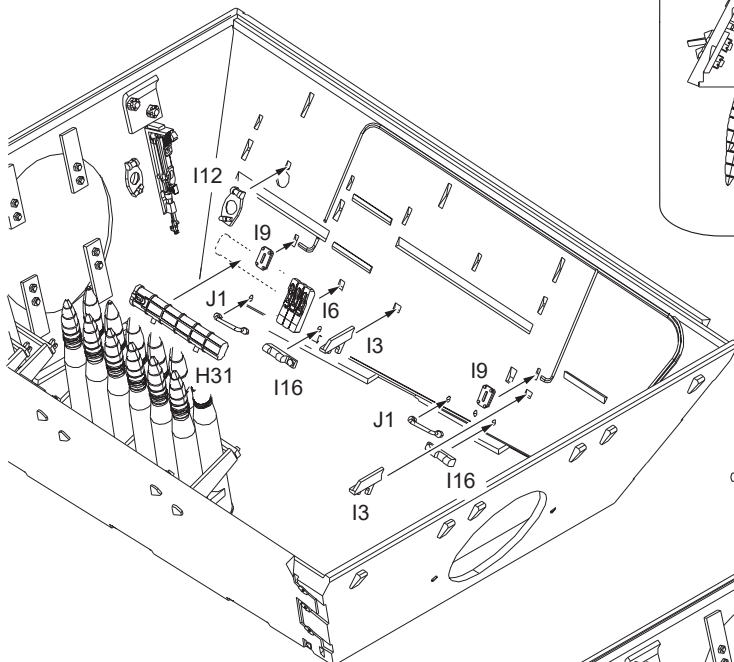
39



40

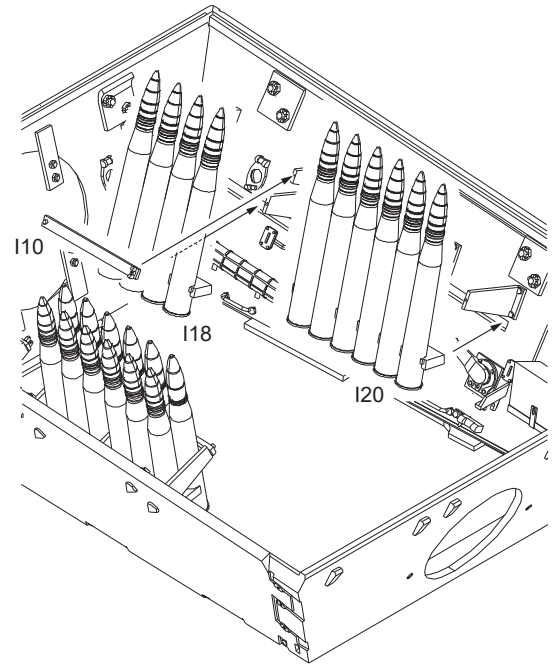
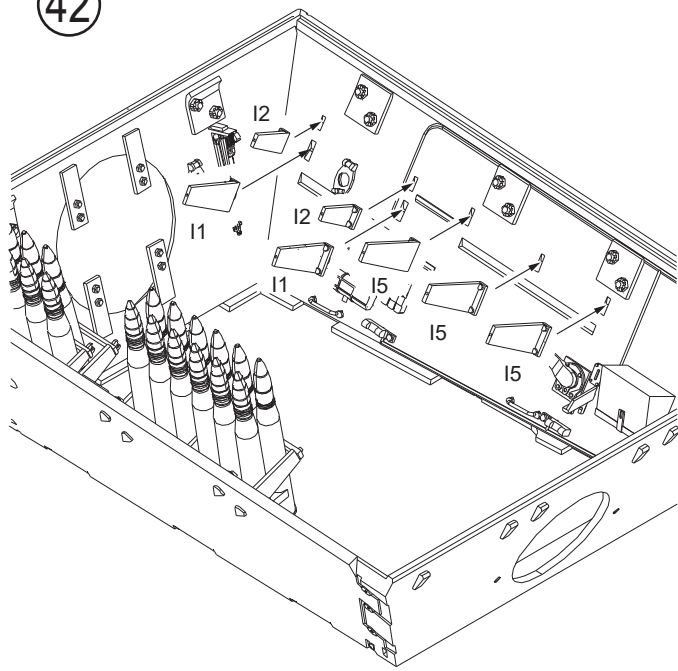


41

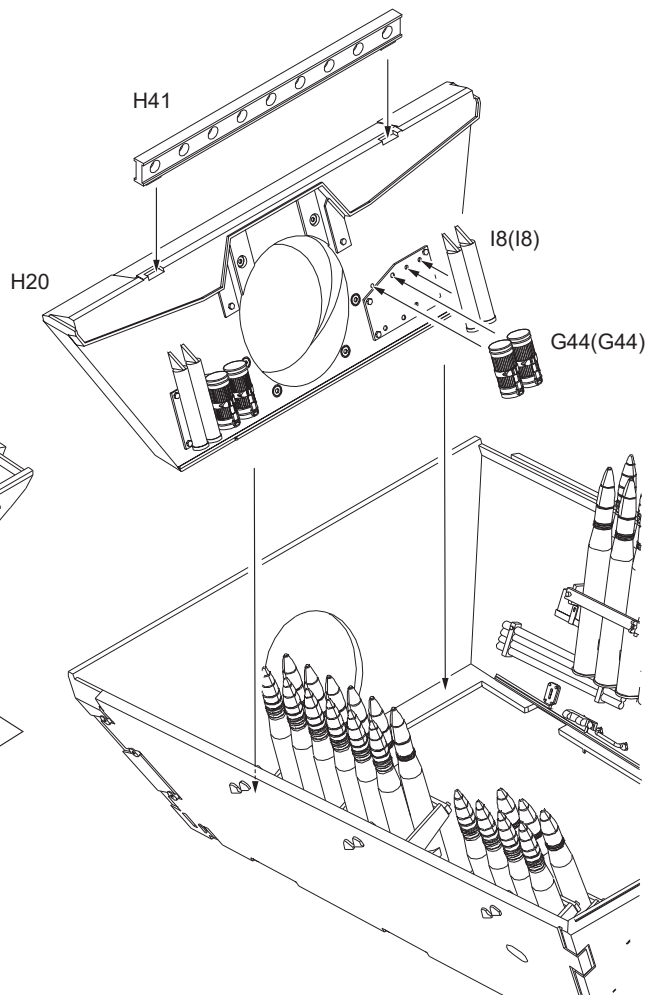
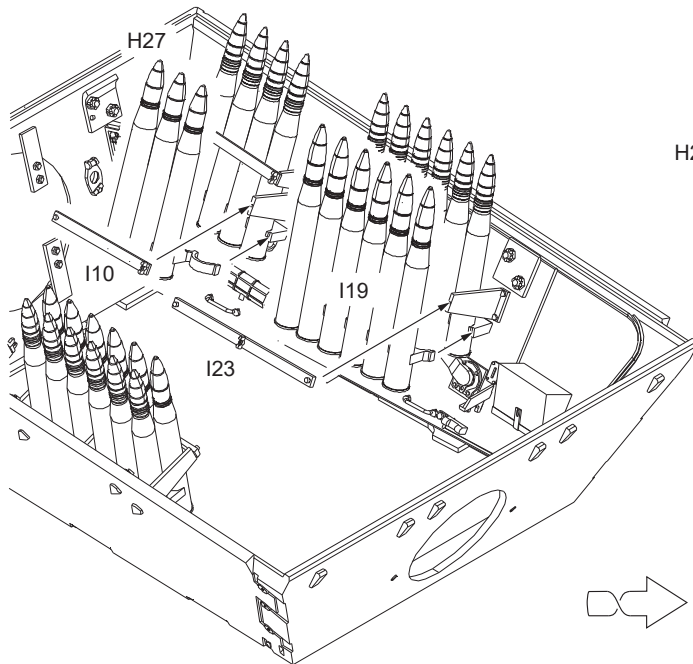




42

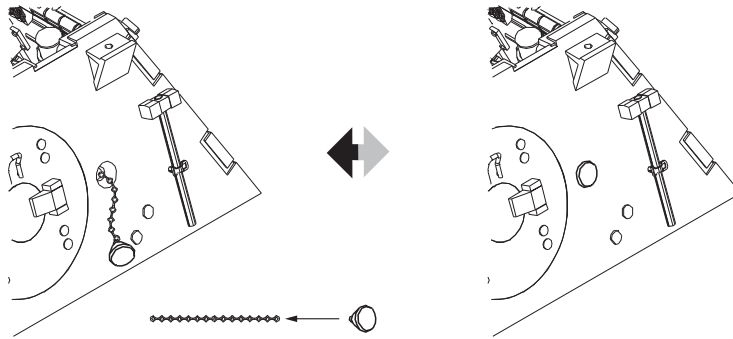


43



44

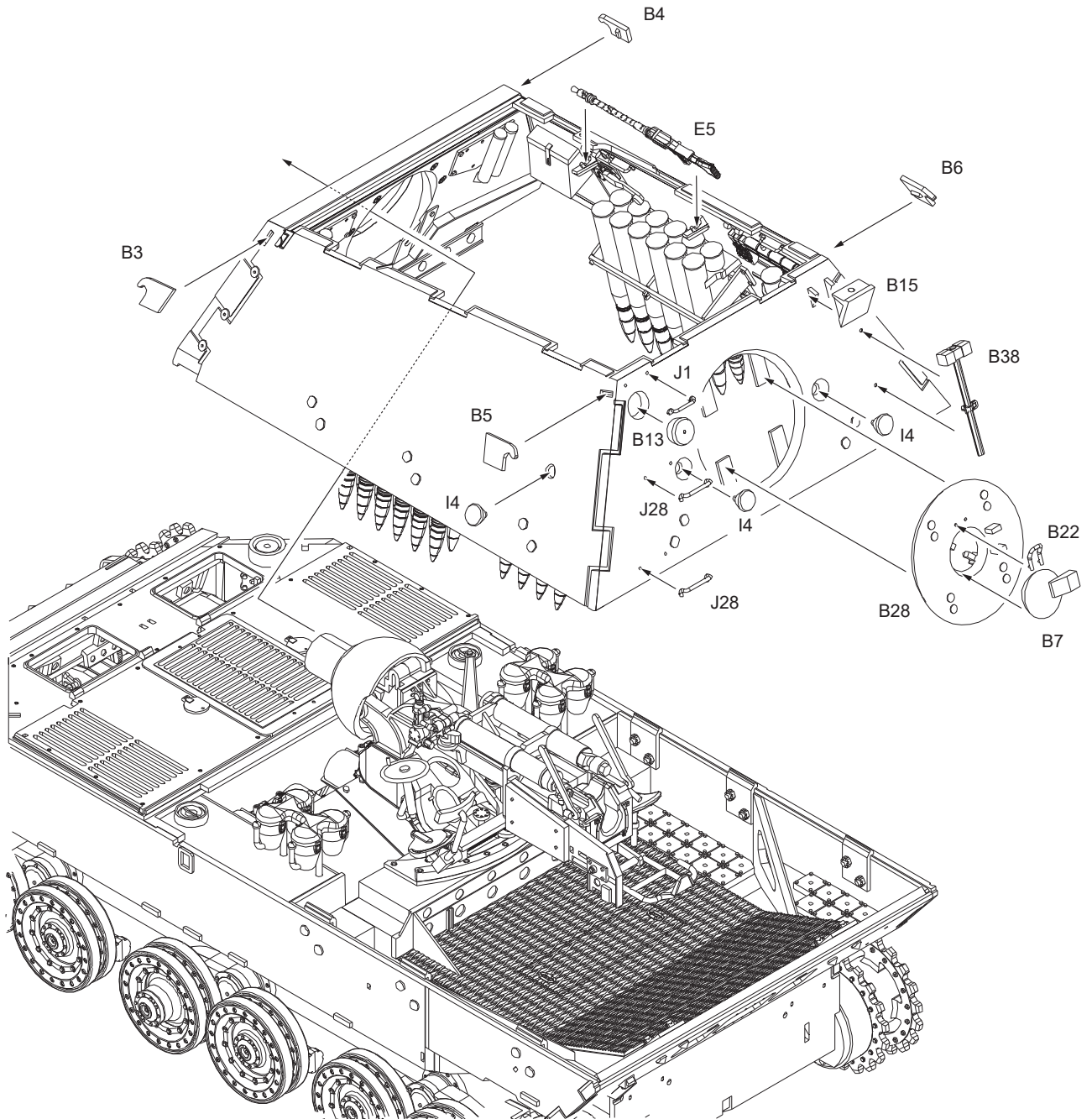
Shot mouth option of open or close



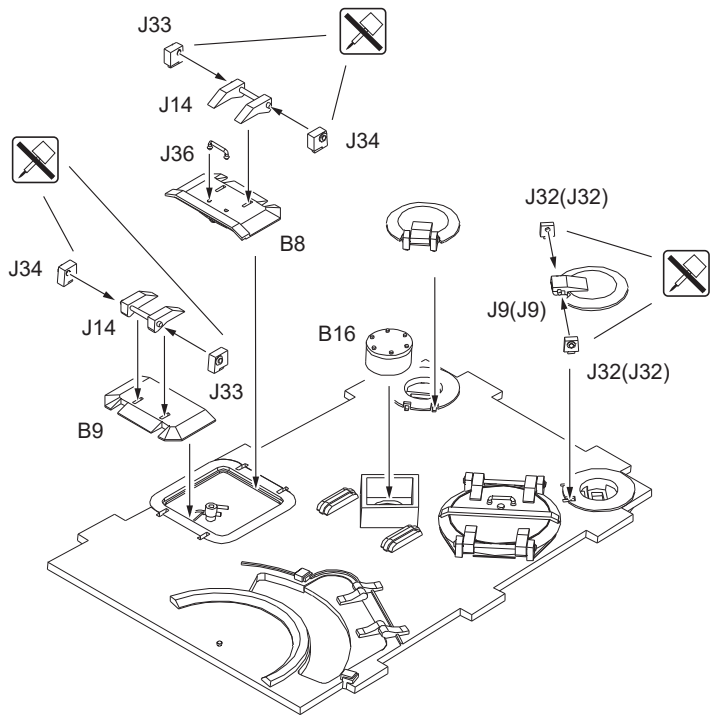
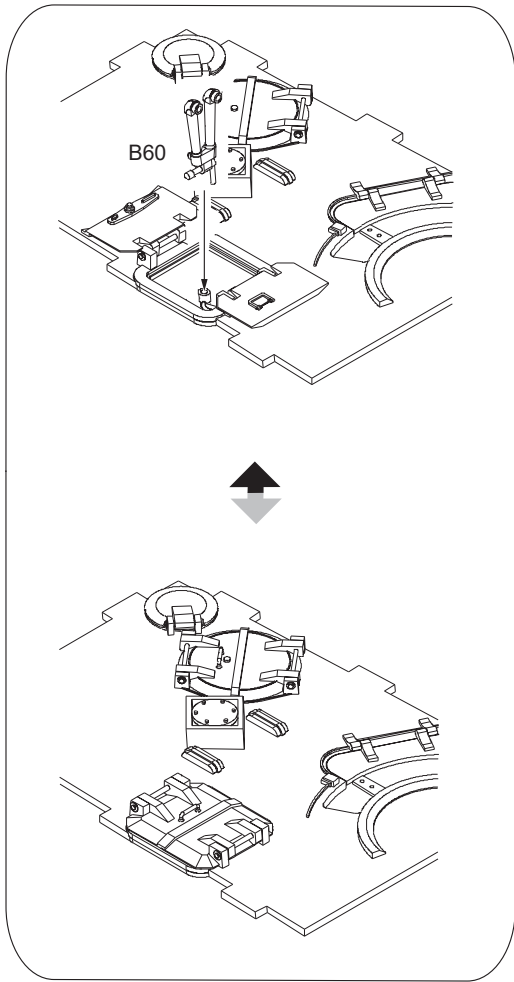
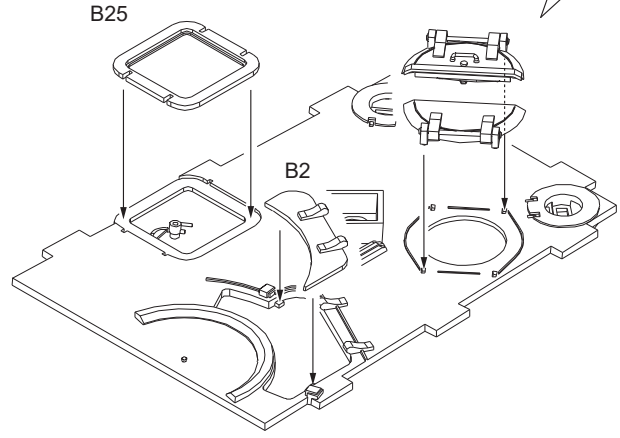
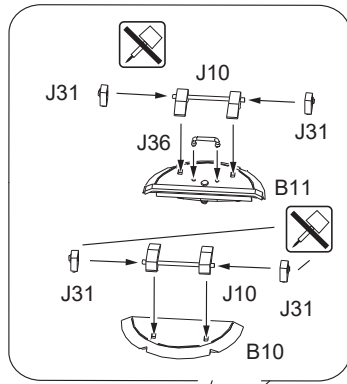
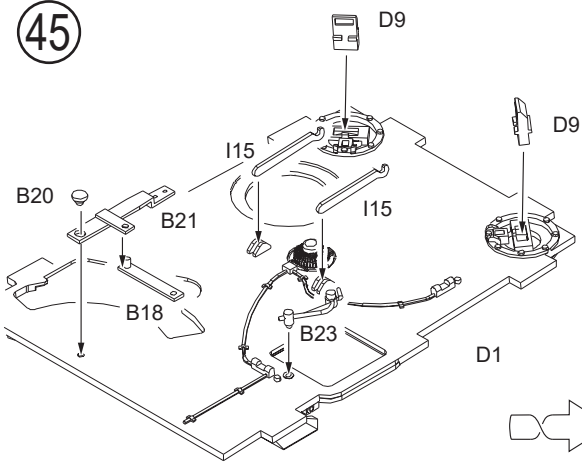
V(10mm)

4

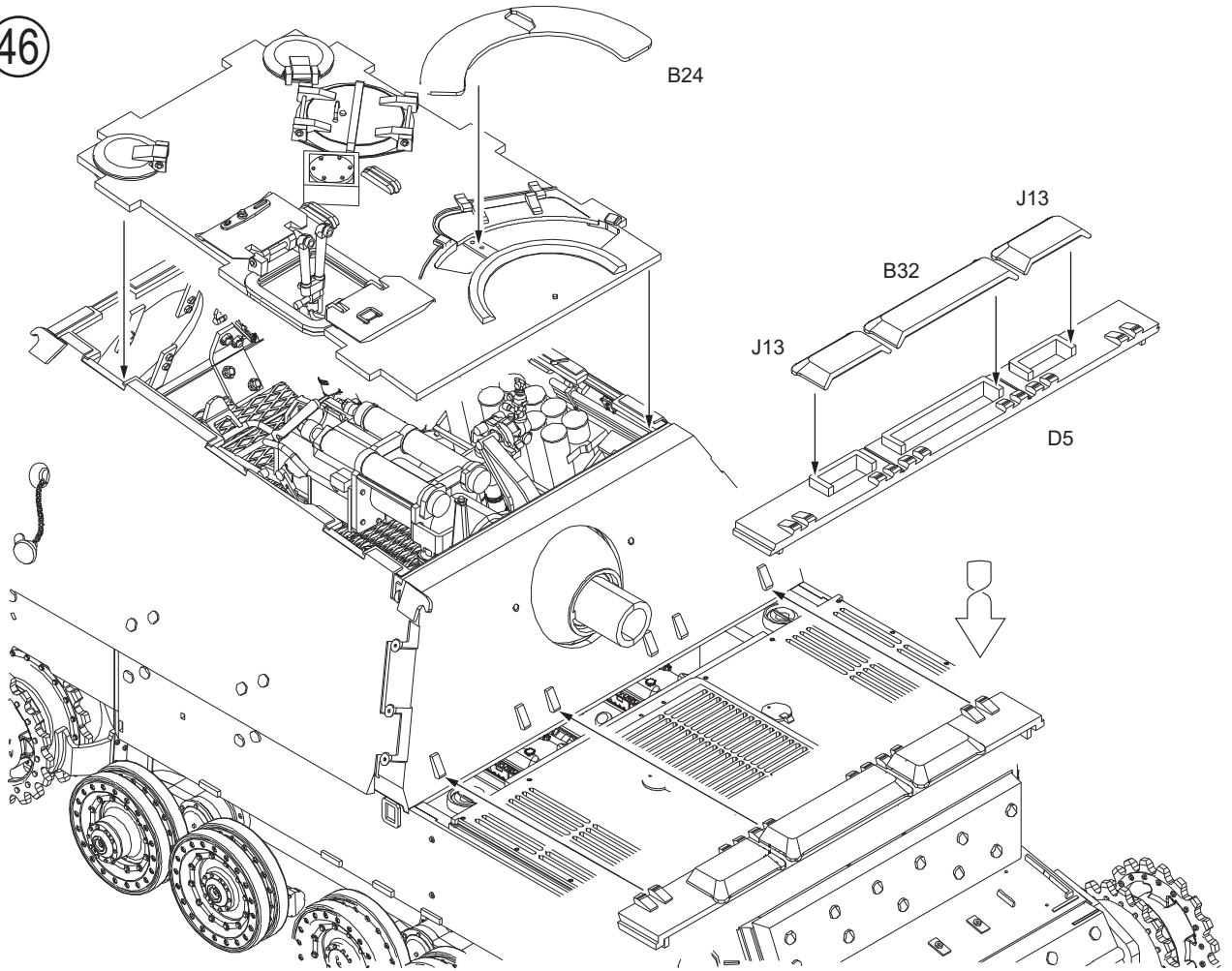
I4



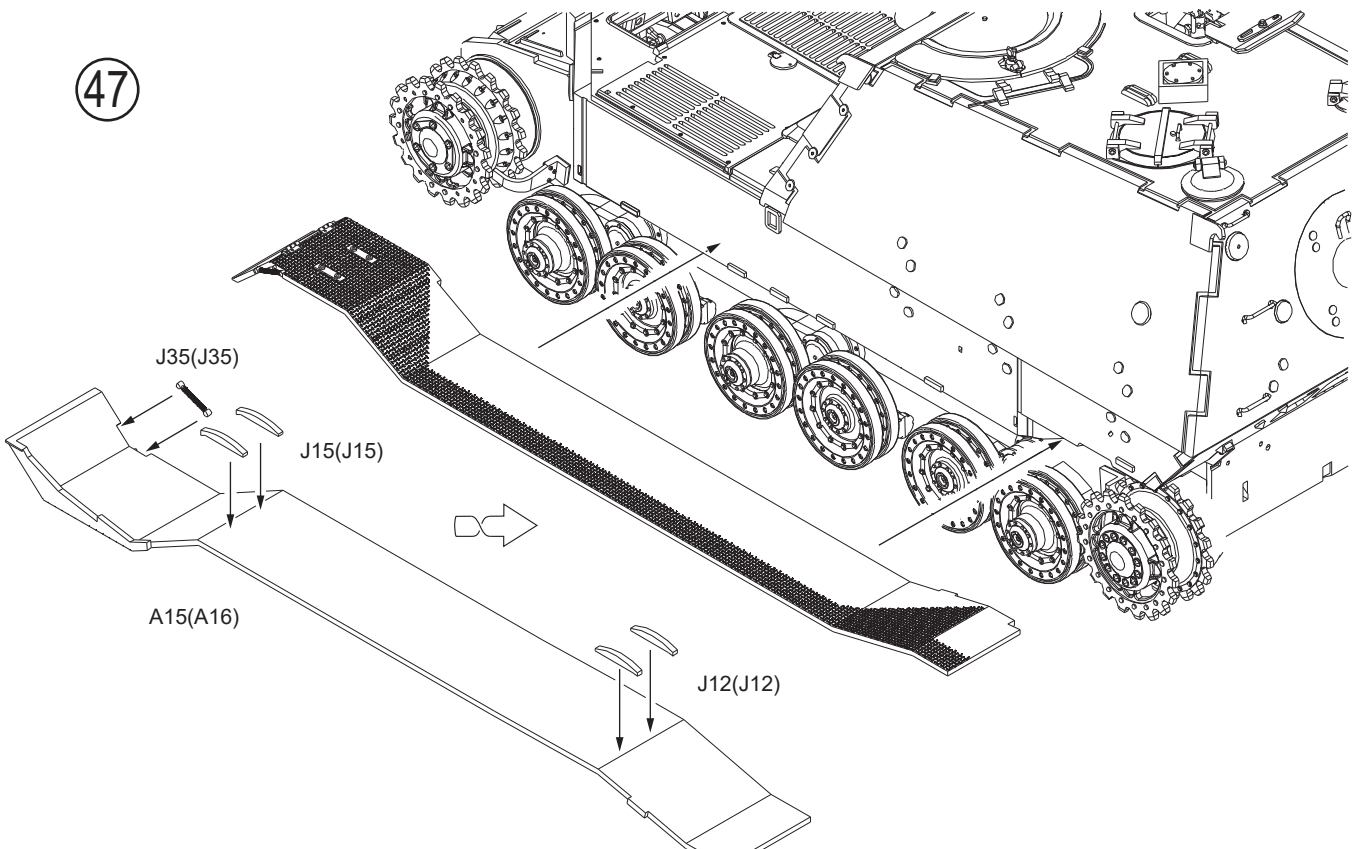
45



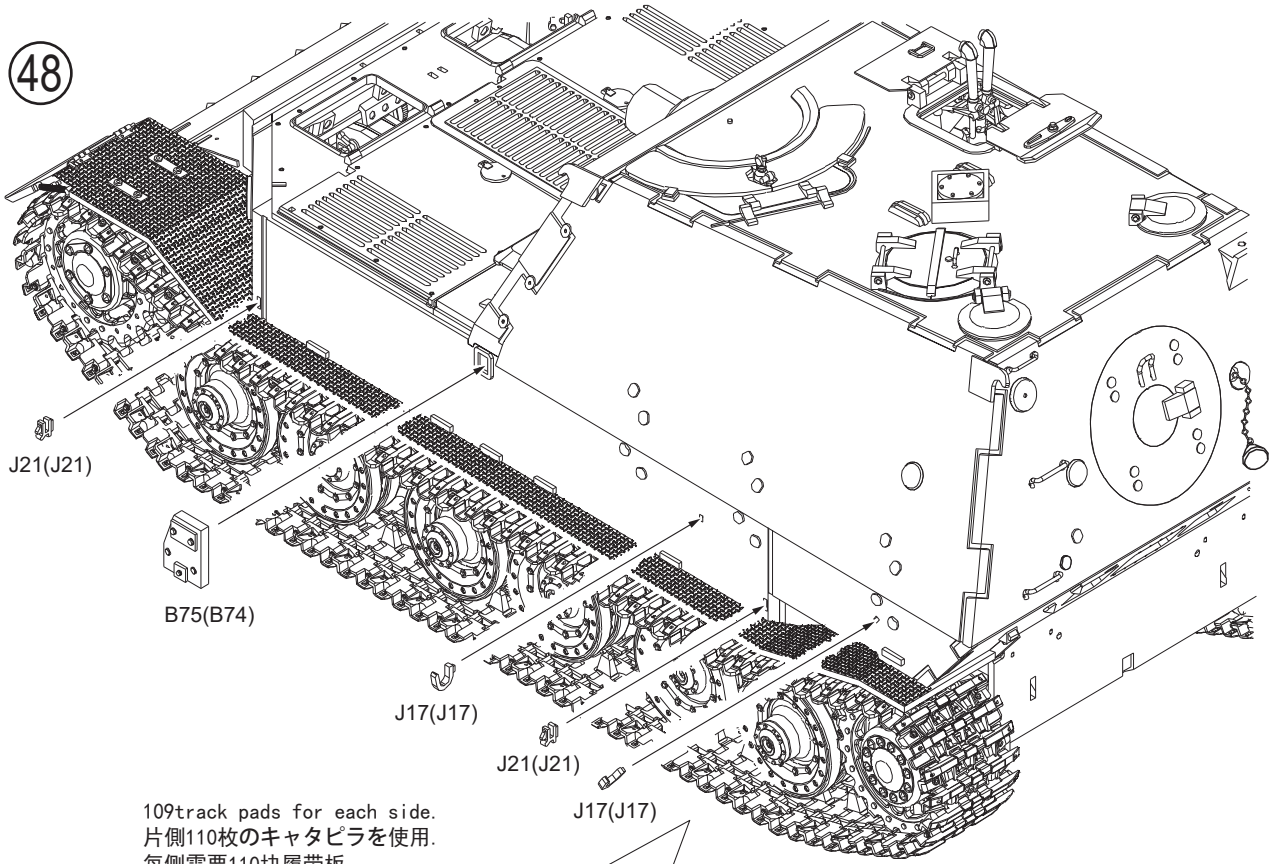
46



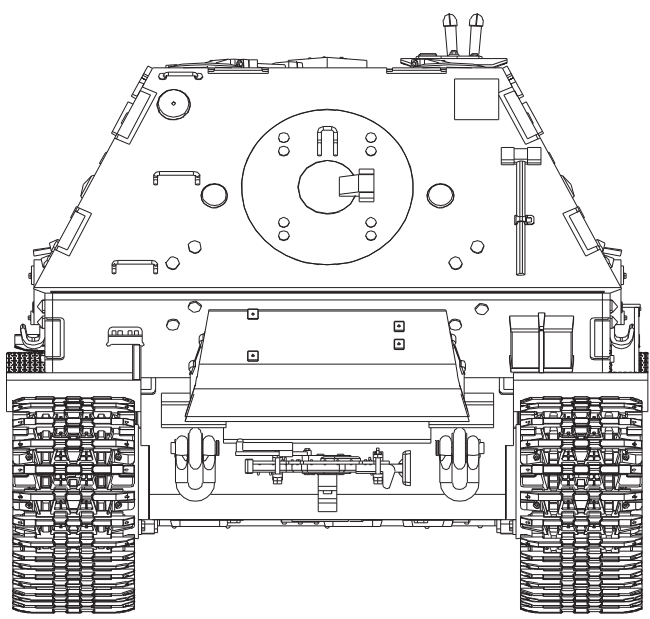
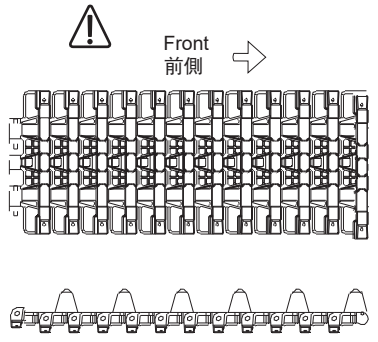
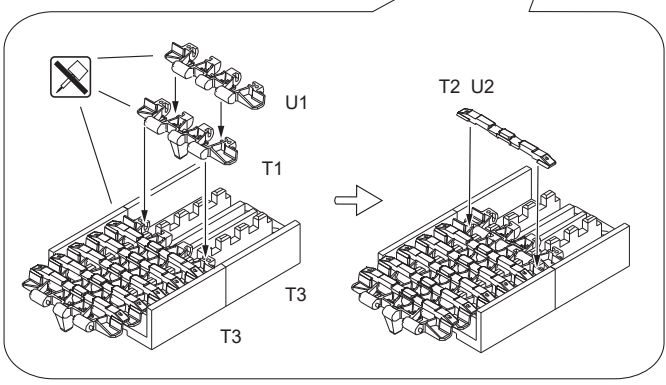
47



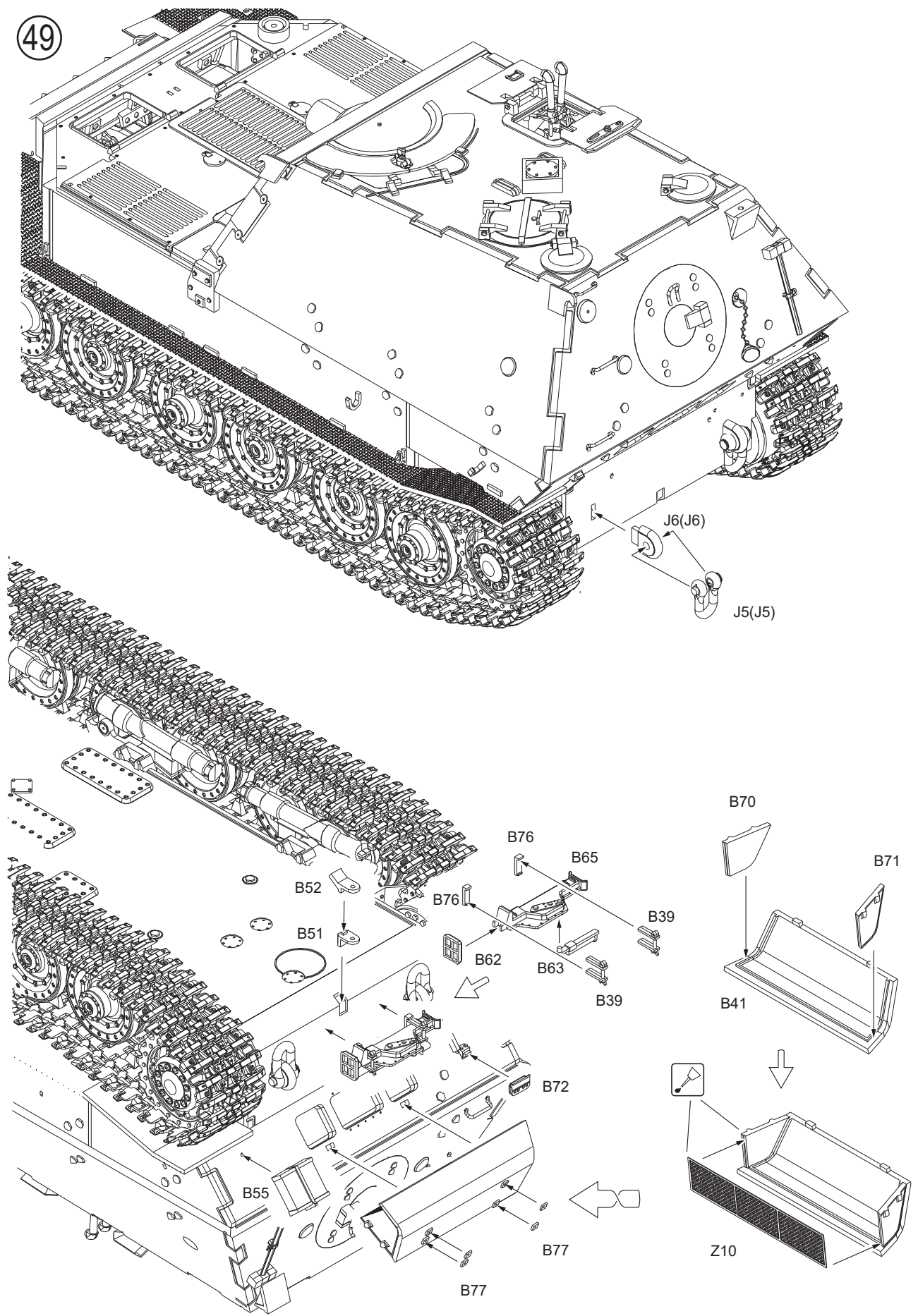
48



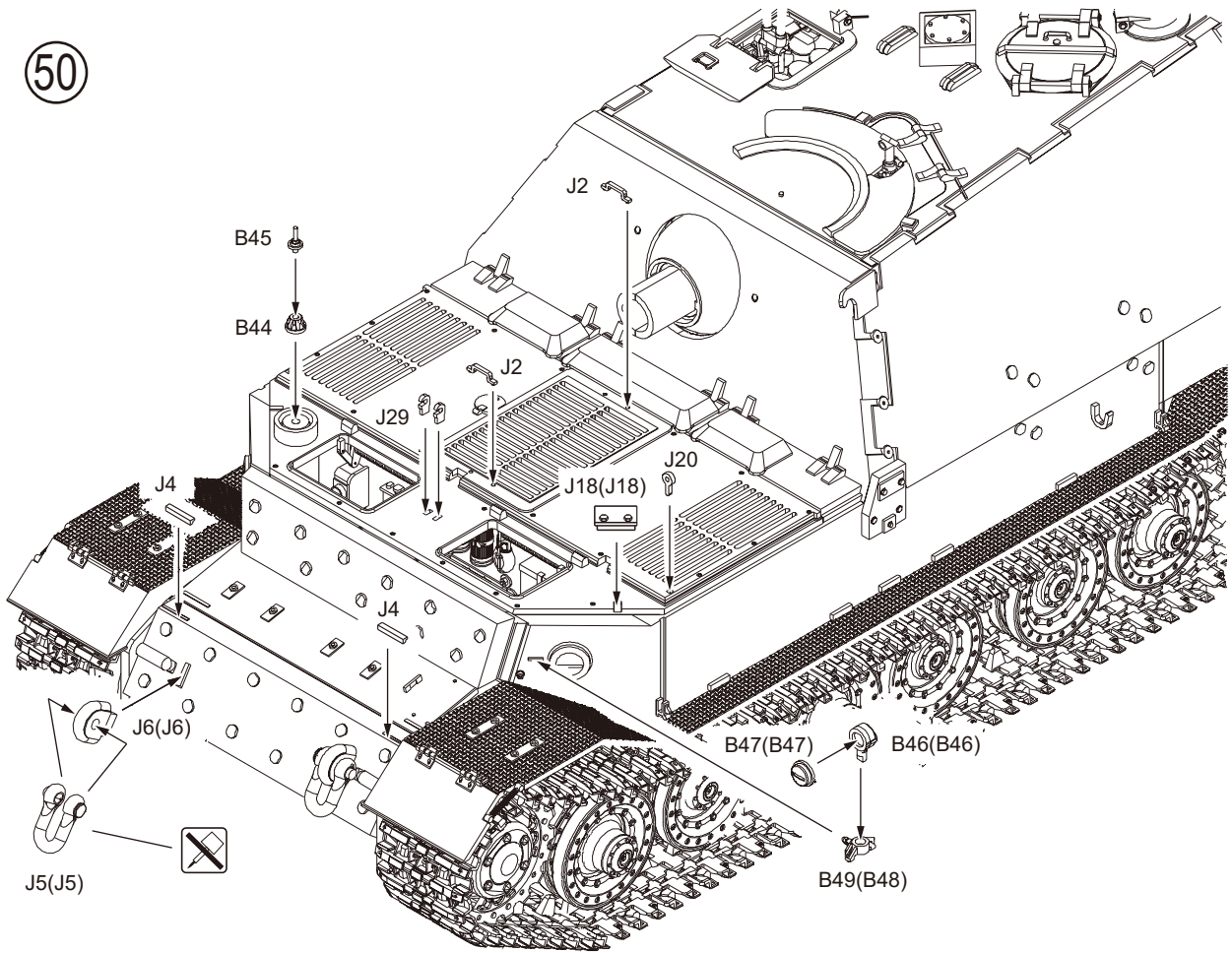
109 track pads for each side.  
 片側110枚のキャタピラを使用。  
 毎側需要110块履带板。



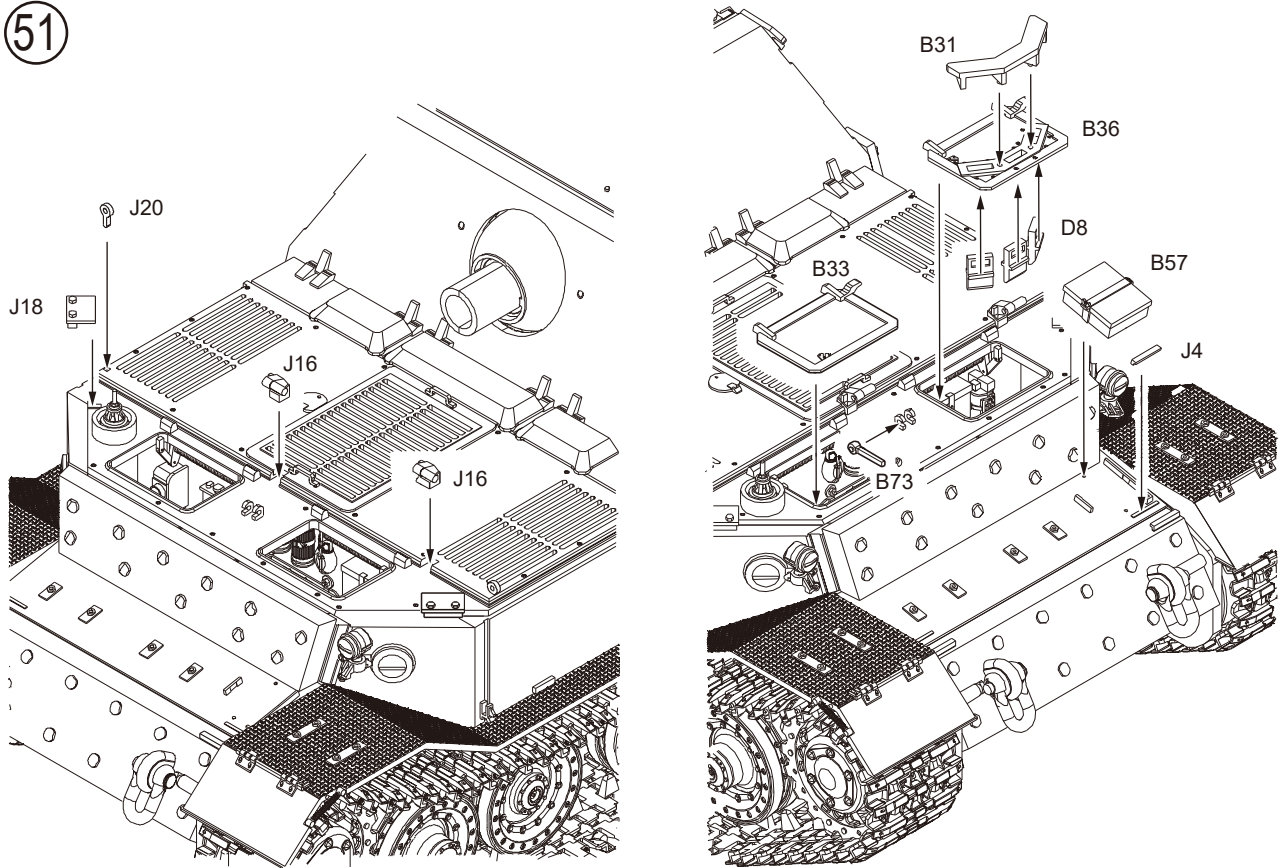
49



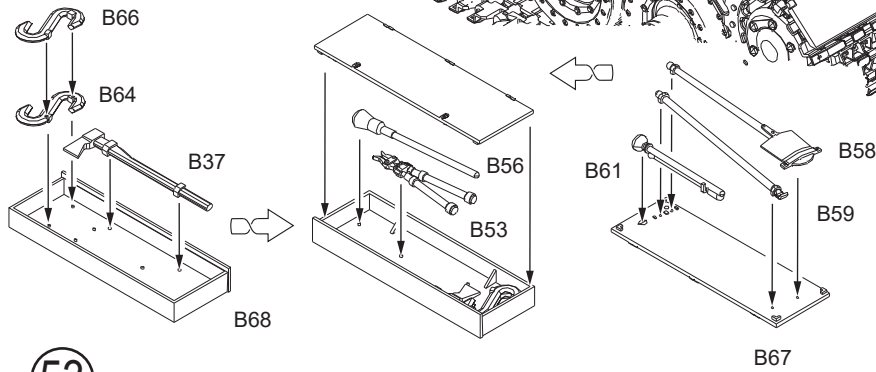
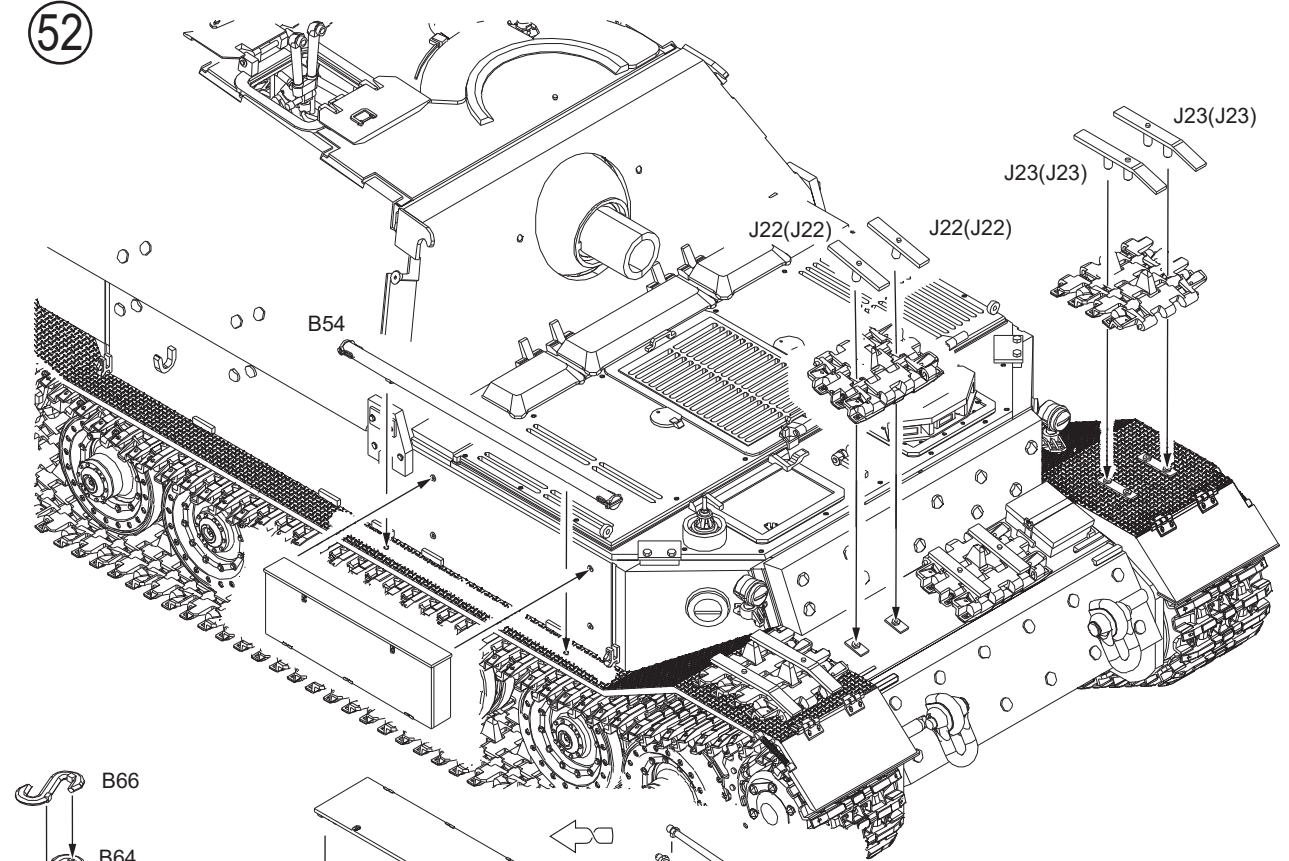
50



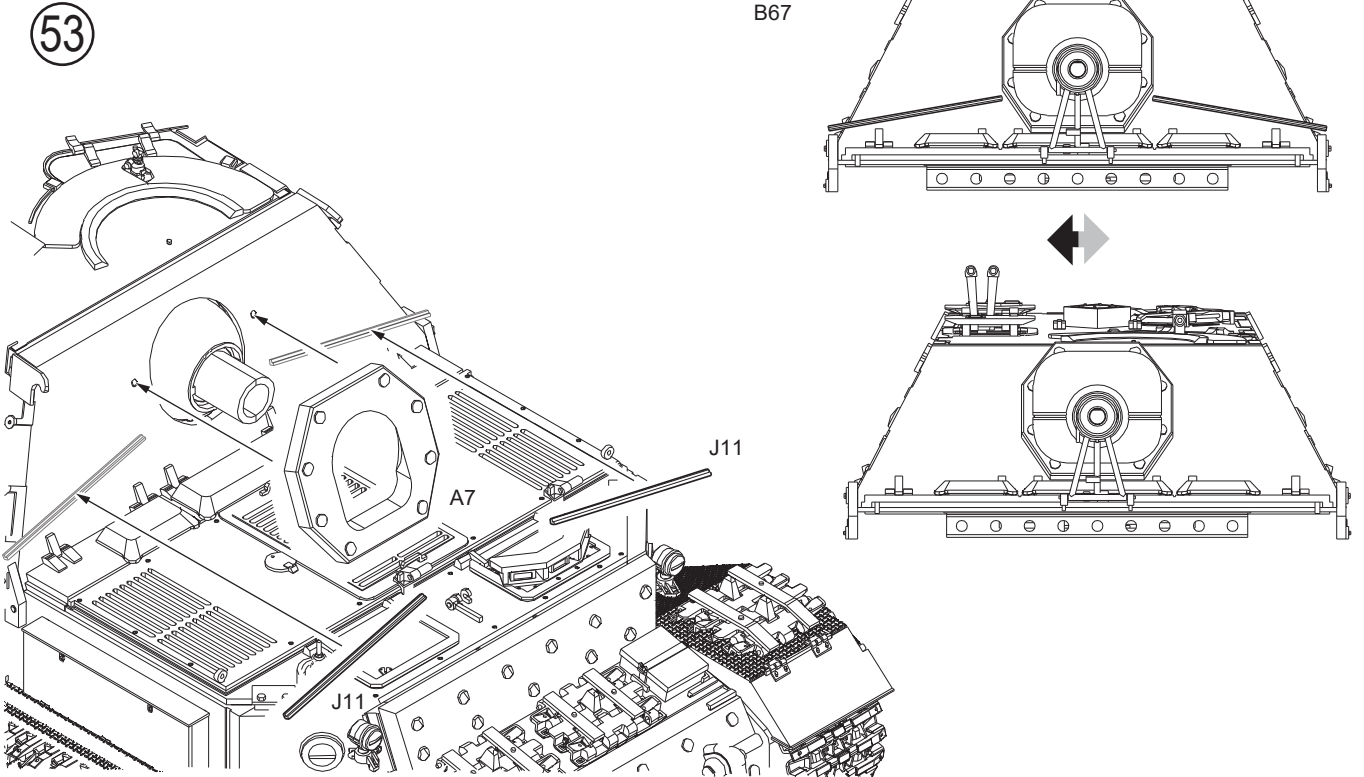
51



52

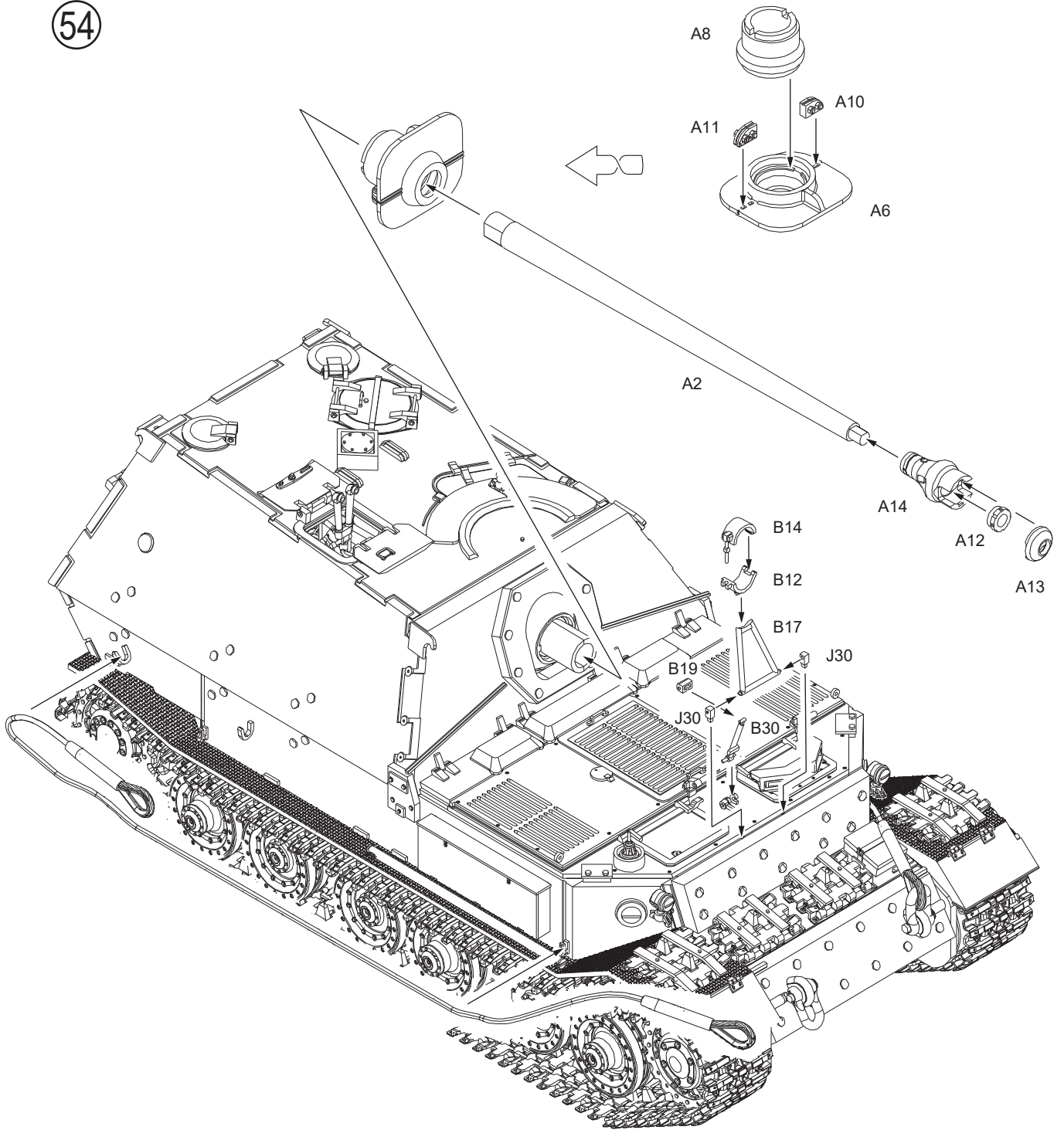


53





54



J37

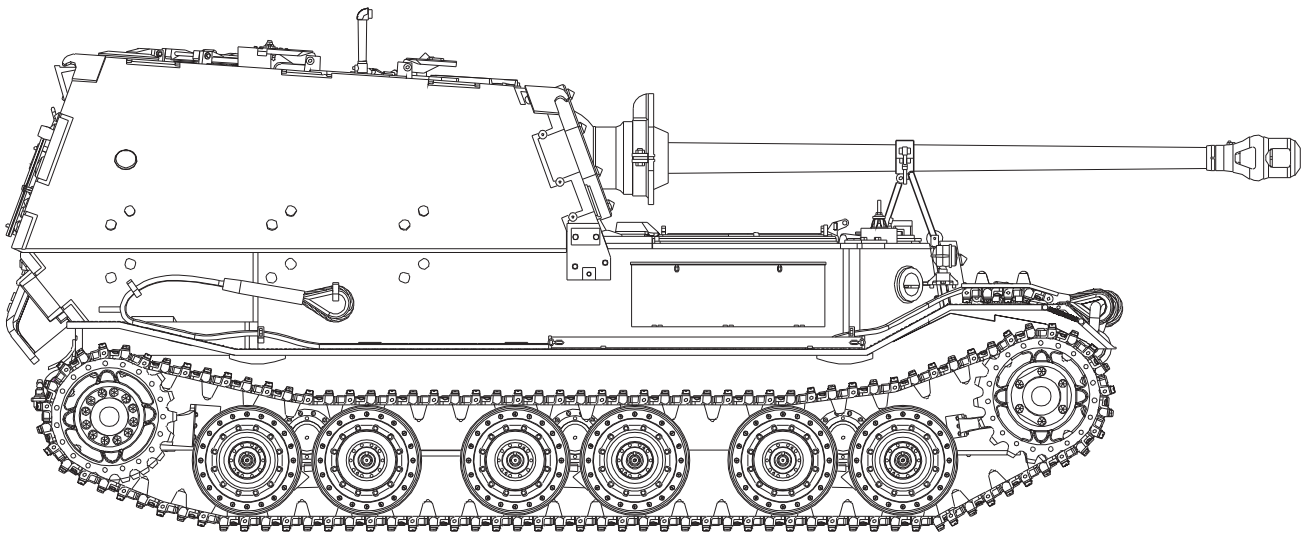
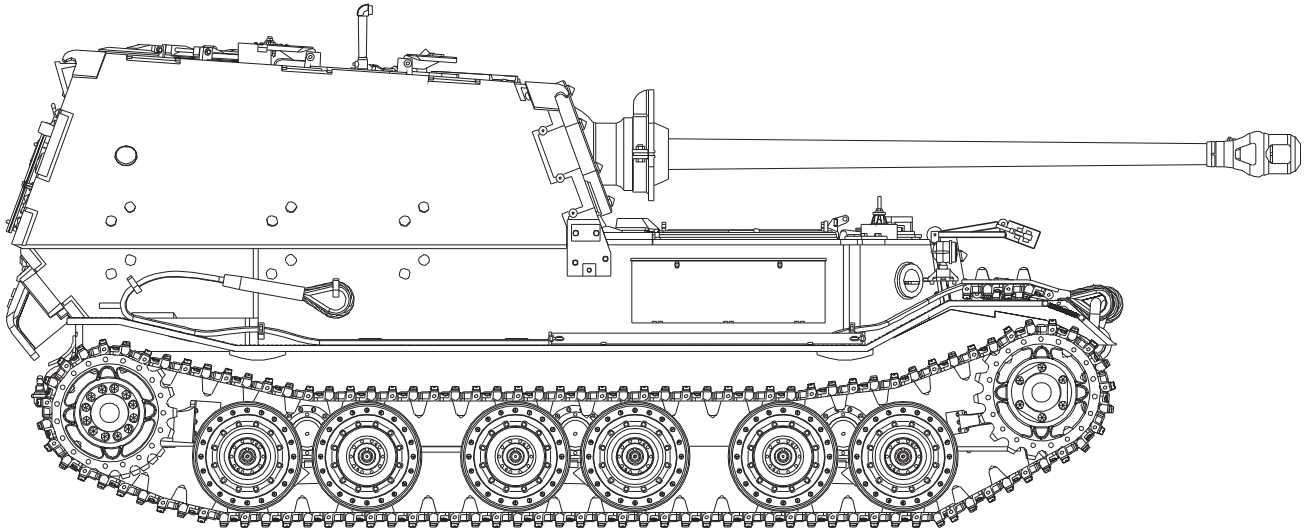


M(20mm) 2 PCS

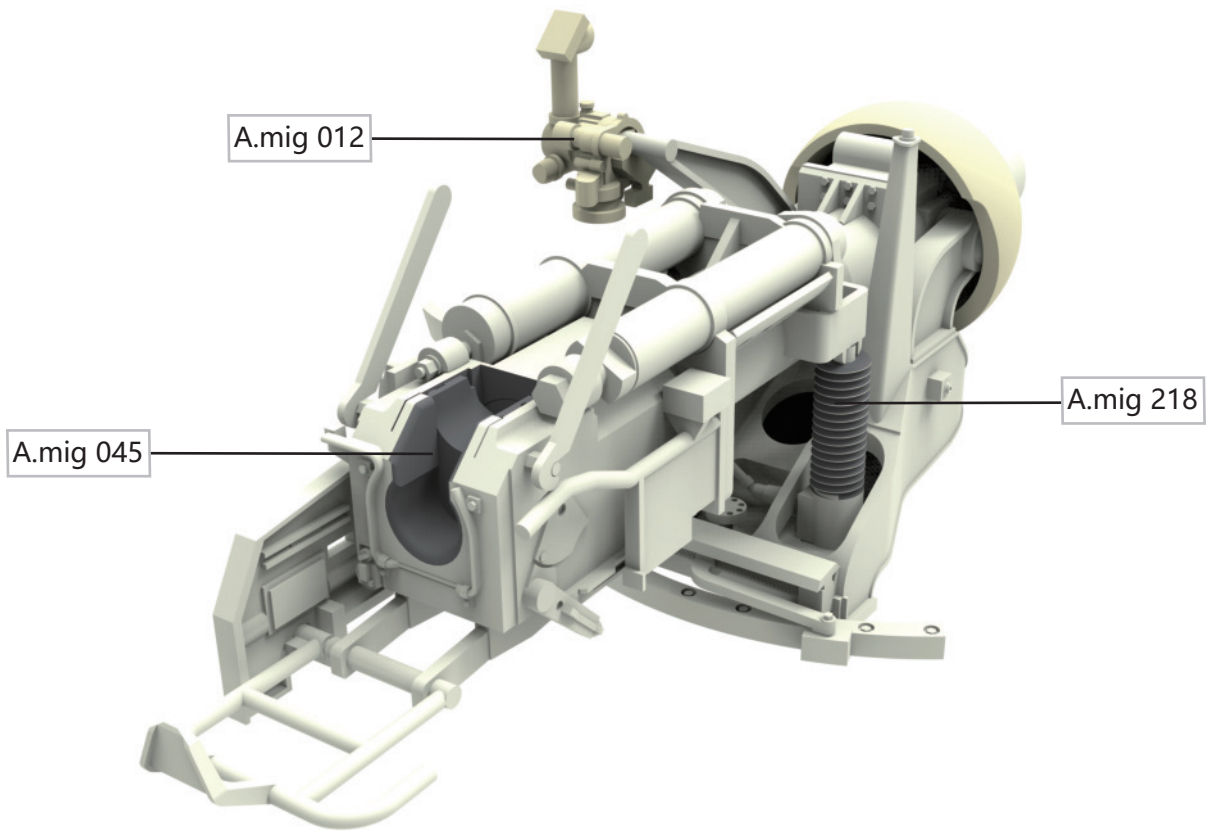
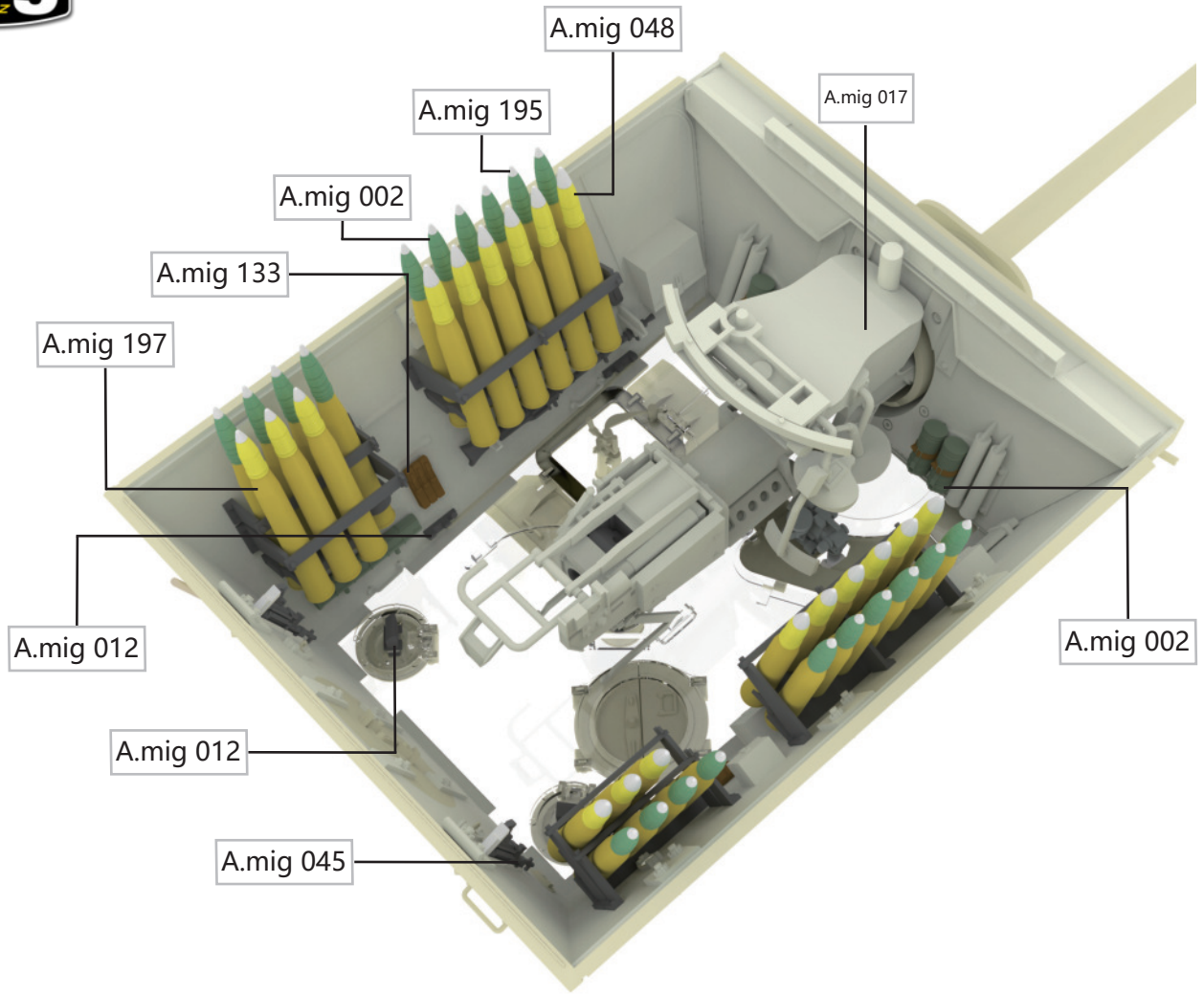


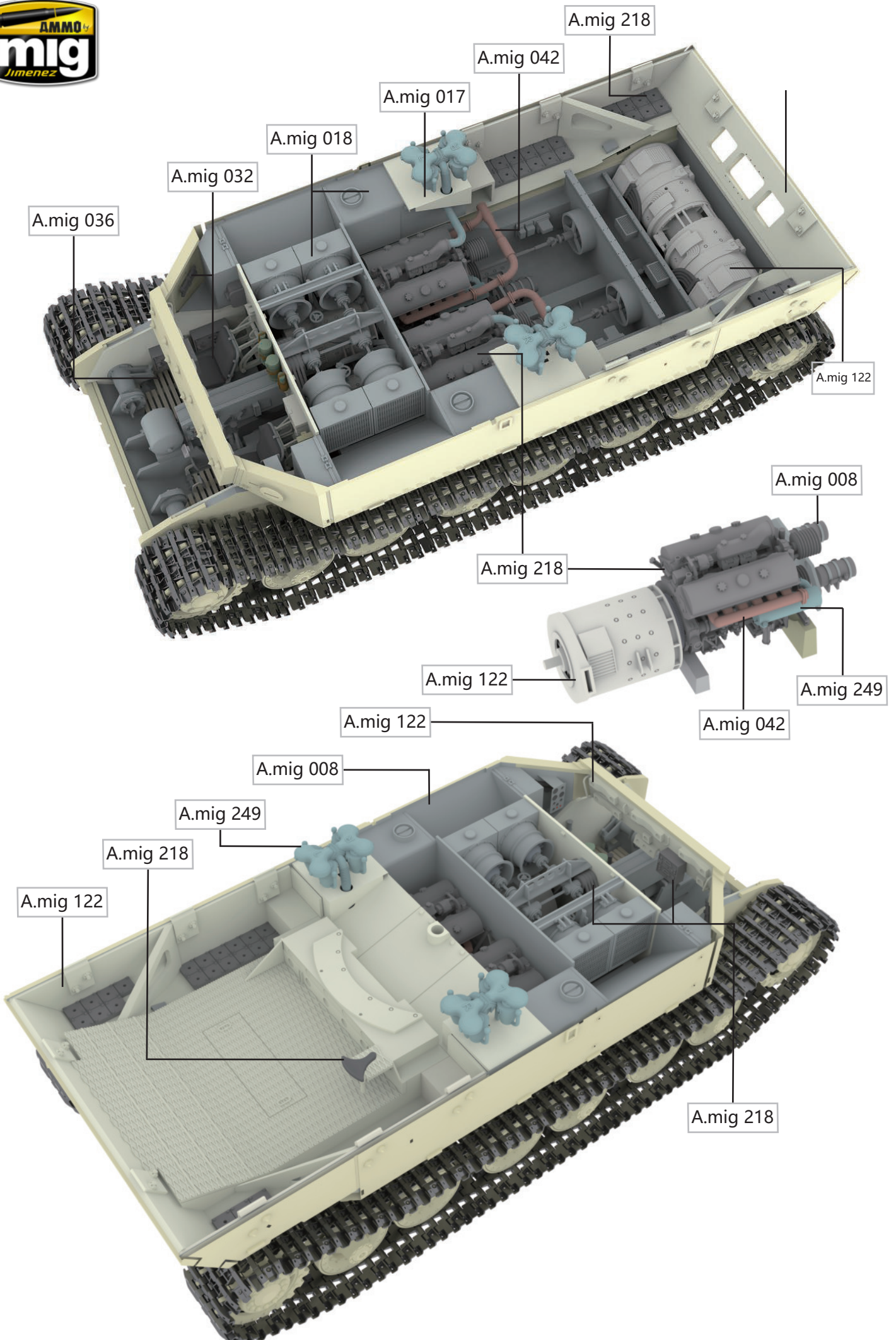
J37





A.mig 002	OLIVGRÜN	A.mig 048	YELLOW
A.mig 008	DUNKEL GRAU	A.mig 133	RED LEATHER
A.mig 017	CREMEWEISS	A.mig 197	BRASS
A.mig 032	SATIN BLACK	A.mig 195	SILVER
A.mig 036	OLD WOOD	A.mig 218	SCHWARTZGRAU
A.mig 042	OLD RUST	A.mig 249	LIGHT BLUE
A.mig 045	GUN METAL		





## Painting and Marking Guide

A.MIG 035

Dark Tracks

A.MIG 036

Old Wood

A.MIG 038

Light Wood

A.MIG 045

Gun Metal

A.MIG 095

Crystal Smoke

A.MIG 096

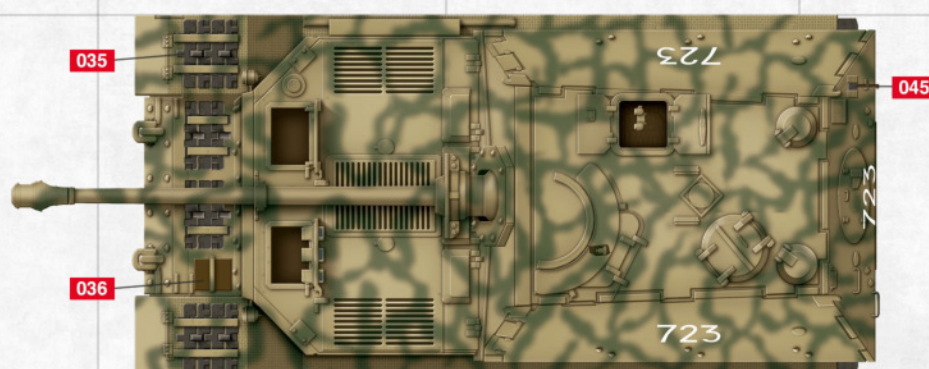
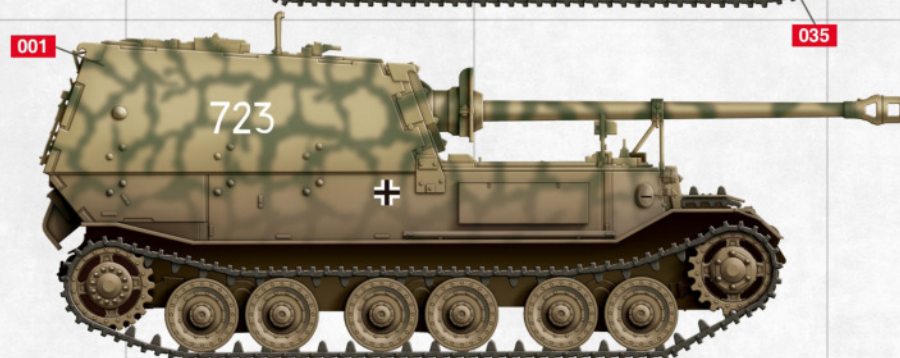
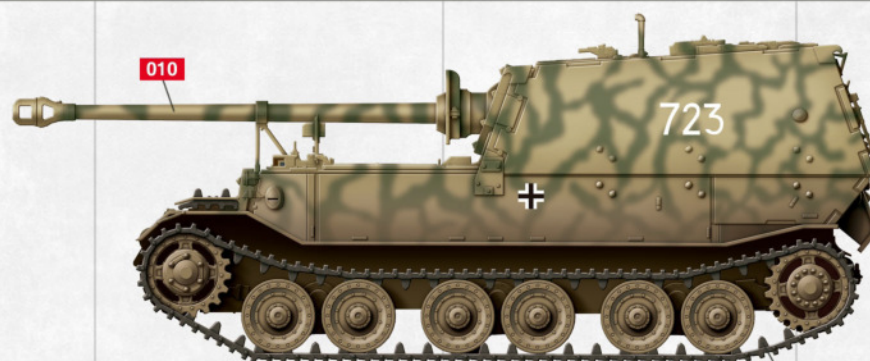
Crystal Periscope Green

A.MIG 001

Olivgrün Opt.1

A.MIG 010

Dunkelgelb Mid War



### WEATHERING STEPS WITH AMMO PRODUCTS

#### 1 GENERAL WASH

A.MIG-1001 Afrika Korps Wash

#### 3 STREAKING

A.MIG-1203 Streaking Grime

#### 5 DUST

A.MIG-3004 Europe Earth

#### 7 HEAVY MUD

A.MIG-1703 Moist Ground

#### 2 FILTER

A.MIG-1510 Tan for Three Tone Camo

#### 4 TRACK WASH

A.MIG-1002 Tracks Wash

#### 6 SPLASHES

A.MIG-1752 Loose Ground

#### 8 GREASE & OIL

A.MIG-1408 Fresh Engine Oil

## Painting and Marking Guide

A.MIG 035

Dark Tracks

A.MIG 036

Old Wood

A.MIG 037

New Wood

A.MIG 045

Gun Metal

A.MIG 095

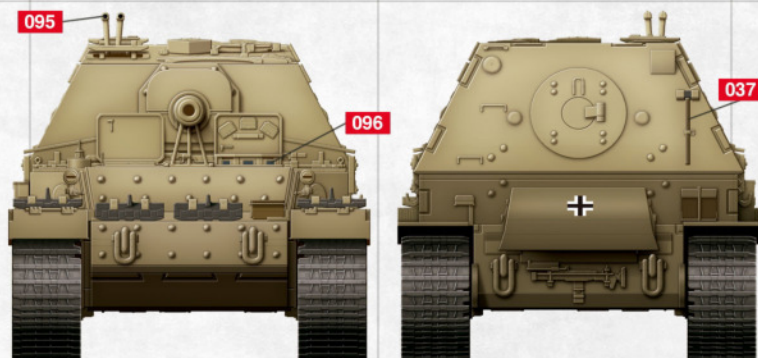
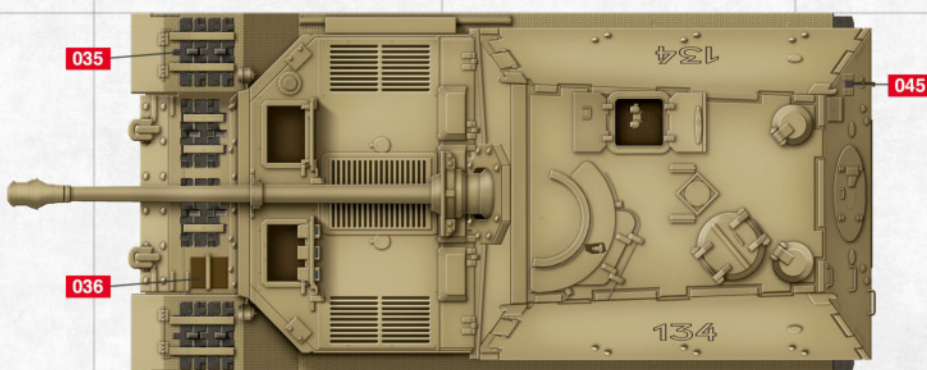
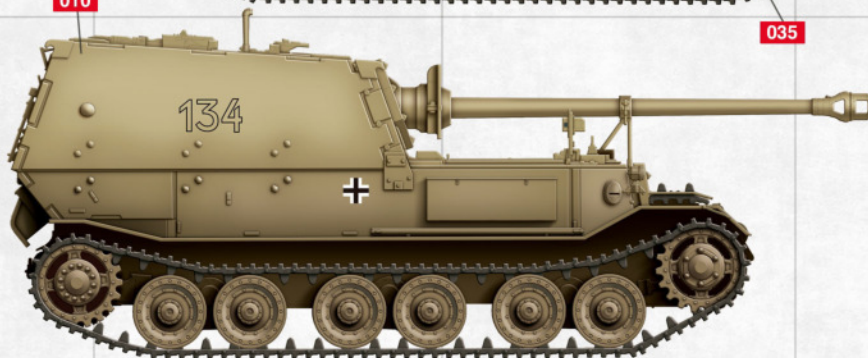
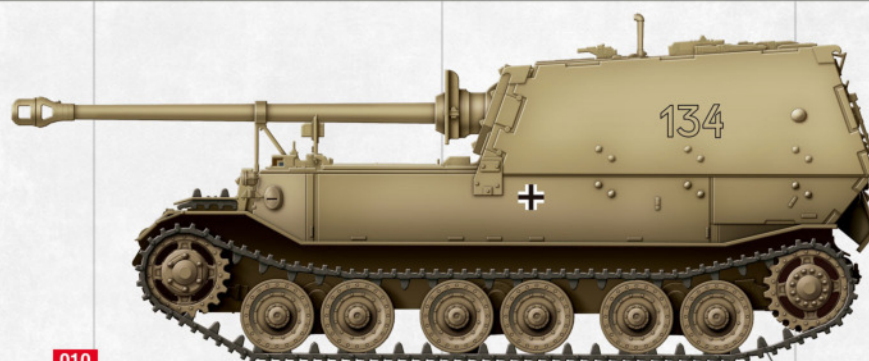
Crystal Smoke

A.MIG 096

Crystal Periscope Green

A.MIG 010

Dunkelgelb Mid War



### WEATHERING STEPS WITH AMMO PRODUCTS

#### 1 GENERAL WASH

A.MIG-1000 Brown Wash for German Yellow

#### 2 FILTER

A.MIG-1511 Brown for Dark Yellow

#### 3 STREAKING

A.MIG-1201 Streaking Grime for DAK

#### 4 TRACKS WASH

A.MIG-1002 Tracks Wash

#### 5 DUST

A.MIG-3013 Rubble

#### 6 SPLASHES

A.MIG-1750 Dry Earth

#### 7 HEAVY MUD

A.MIG-1701 Thick Soil

#### 8 GREASE & OIL

A.MIG-1408 Fresh Engine Oil

## Painting and Marking Guide

A.MIG 035

Dark Tracks

A.MIG 036

Old Wood

A.MIG 037

New Wood

A.MIG 045

Gun Metal

A.MIG 095

Crystal Smoke

A.MIG 096

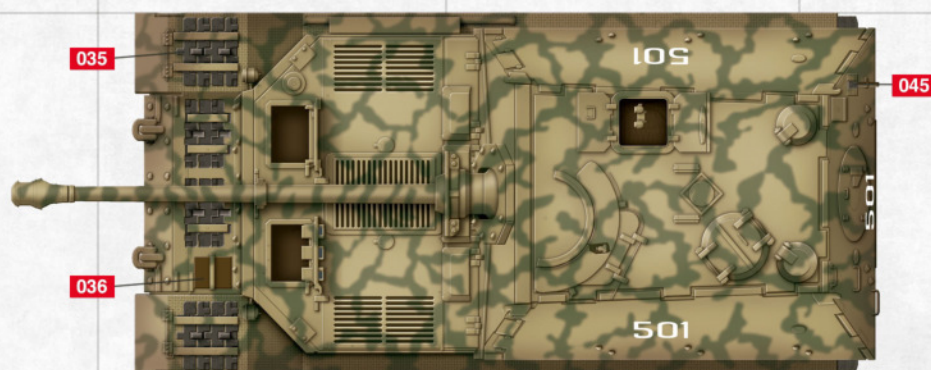
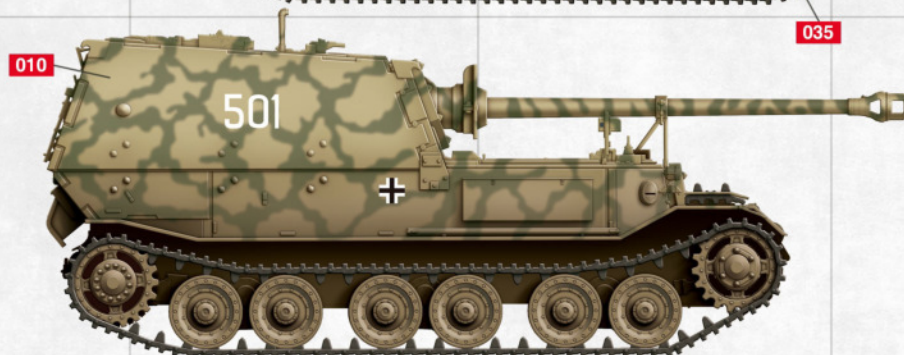
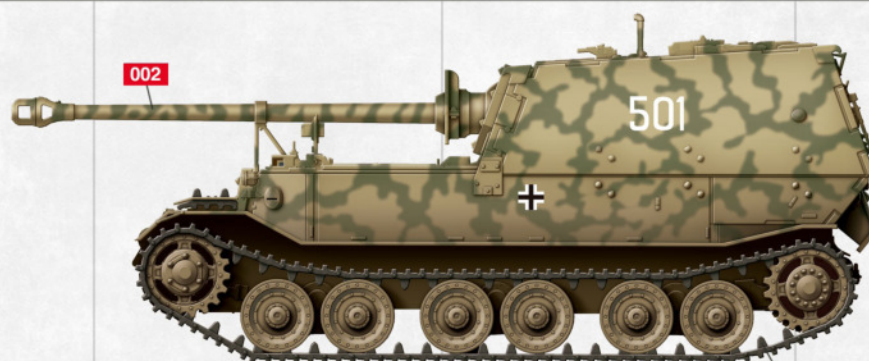
Crystal Periscope Green

A.MIG 002

Olivgrün Opt.2

A.MIG 010

Dunkelgelb Mid War



### WEATHERING STEPS WITH AMMO PRODUCTS

#### 1 GENERAL WASH

A.MIG-1000 Brown Wash for German Yellow

#### 2 FILTER

A.MIG-1504 Brown for Desert Yellow

#### 3 STREAKING

A.MIG-1206 Dark Streaking Grime

#### 4 TRACKS WASH

A.MIG-1002 Tracks Wash

#### 5 DUST

A.MIG-3007 Dark Earth

#### 6 SPLASHES

A.MIG-1751 Dry Steppe

#### 7 HEAVY MUD

A.MIG-1702 Turned Earth

#### 8 GREASE & OIL

A.MIG-1408 Fresh Engine Oil

## Painting and Marking Guide

A.MIG 035

Dark Tracks

A.MIG 036

Old Wood

A.MIG 037

New Wood

A.MIG 045

Gun Metal

A.MIG 095

Crystal Smoke

A.MIG 096

Crystal Periscope Green

A.MIG 002

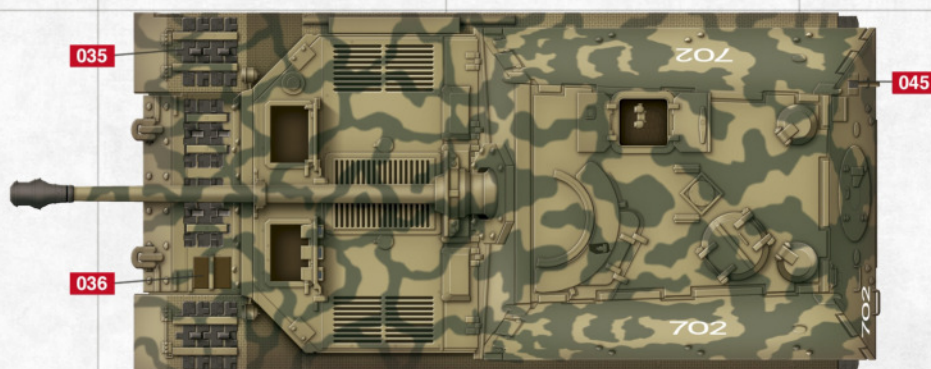
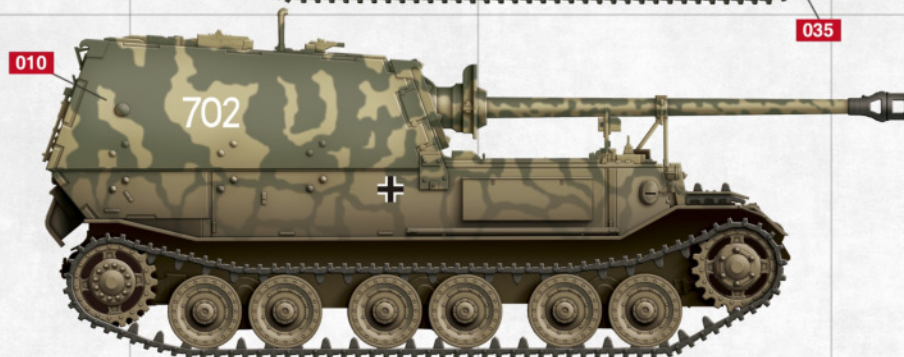
Olivgrün Opt.2

A.MIG 010

Dunkelgelb Mid War

A.MIG 008

Dunkelgrau



### WEATHERING STEPS WITH AMMO PRODUCTS

#### 1 GENERAL WASH

A.MIG-1000 Brown Wash for German Yellow

#### 2 FILTER

A.MIG-1504 Brown for Desert Yellow

#### 3 STREAKING

A.MIG-1206 Dark Streaking Grime

#### 4 TRACKS WASH

A.MIG-1002 Tracks Wash

#### 5 DUST

A.MIG-3007 Dark Earth

#### 6 SPLASHES

A.MIG-1751 Dry Steppe

#### 7 HEAVY MUD

A.MIG-1702 Turned Earth

#### 8 GREASE & OIL

A.MIG-1408 Fresh Engine Oil



## Painting and Marking Guide

A.MIG 035

Dark Tracks

A.MIG 036

Old Wood

A.MIG 037

New Wood

A.MIG 045

Gun Metal

A.MIG 095

Crystal Smoke

A.MIG 096

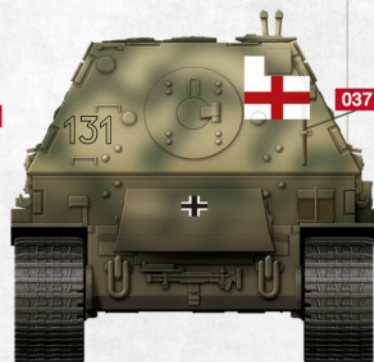
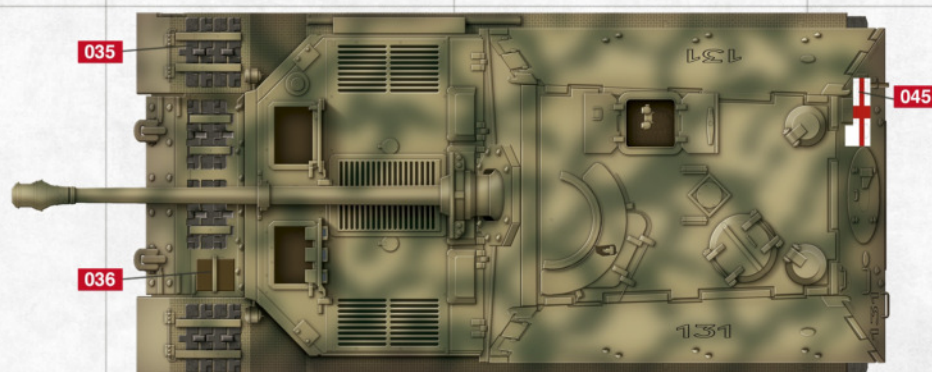
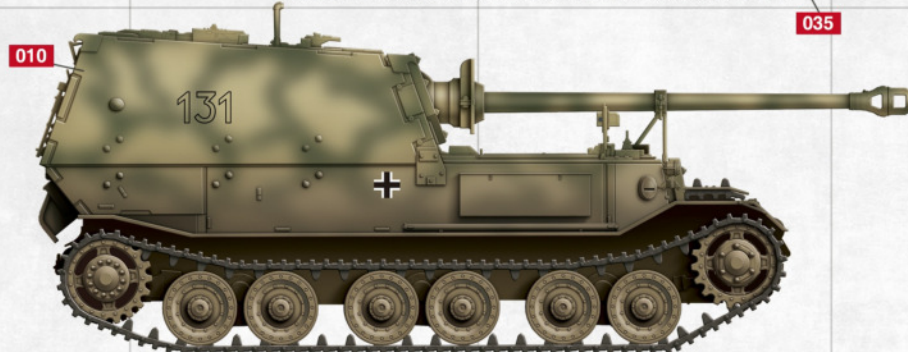
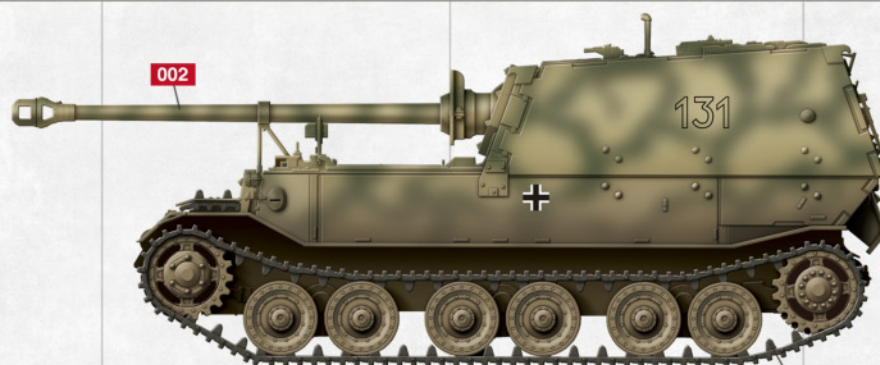
Crystal Periscope Green

A.MIG 002

Olivgrün Opt.2

A.MIG 010

Dunkelgelb Mid War



### WEATHERING STEPS WITH AMMO PRODUCTS

#### 1 GENERAL WASH

A.MIG-1000 Brown Wash for German Yellow

#### 2 FILTER

A.MIG-1504 Brown for Desert Yellow

#### 3 STREAKING

A.MIG-1206 Dark Streaking Grime

#### 4 TRACKS WASH

A.MIG-1002 Tracks Wash

#### 5 DUST

A.MIG-3007 Dark Earth

#### 6 SPLASHES

A.MIG-1751 Dry Steppe

#### 7 HEAVY MUD

A.MIG-1702 Turned Earth

#### 8 GREASE & OIL

A.MIG-1408 Fresh Engine Oil

## Painting and Marking Guide

A.MIG 035

Dark Tracks

A.MIG 036

Old Wood

A.MIG 037

New Wood

A.MIG 045

Gun Metal

A.MIG 008

Dunkelgrau

A.MIG 096

Crystal Periscope Green

A.MIG 002

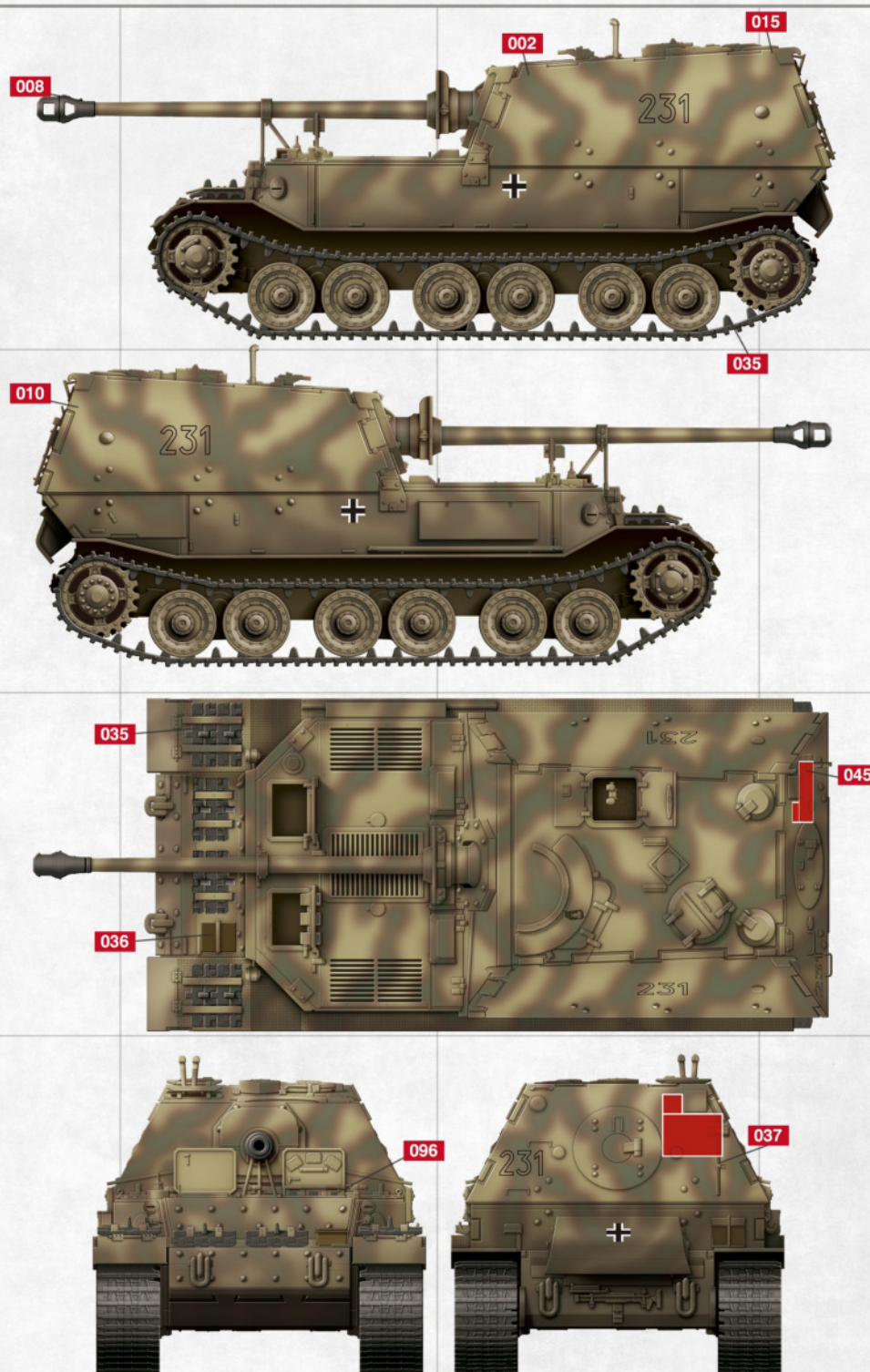
Olivgrün Opt.2

A.MIG 010

Dunkelgelb Mid War

A.MIG 015

Schokobraun



### WEATHERING STEPS WITH AMMO PRODUCTS

#### 1 GENERAL WASH

A.MIG-1000 Brown Wash for Dark Yellow

#### 3 STREAKING

A.MIG-1253 Streakingbrusher Grime

#### 5 RUST

A.MIG-1254 Streakingbrusher Rust

#### 7 MUD & SPLASHES

A.MIG-1703 Turned Earth A.MIG-1752 Loose Ground

#### 2 FILTER

A.MIG-1510 Tan for 3 Tone Camo

#### 4 TRACKS WASH

A.MIG-1002 Tracks Wash

#### 6 DUST

A.MIG-3013 Rubble

#### 8 GREASE & OIL

A.MIG-1408 Fresh Engine Oil

## Painting and Marking Guide

A.MIG 035

Dark Tracks

A.MIG 036

Old Wood

A.MIG 037

New Wood

A.MIG 045

Gun Metal

A.MIG 095

Crystal Smoke

A.MIG 096

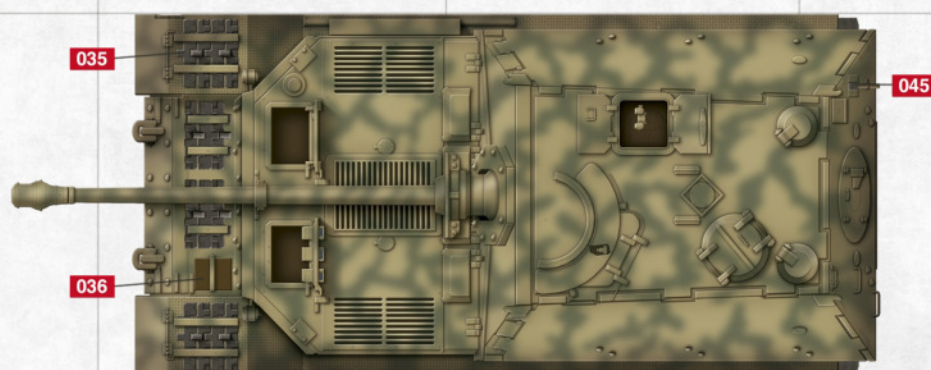
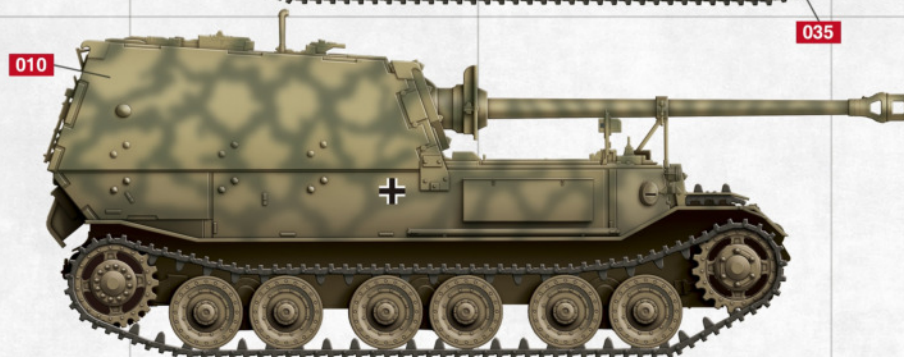
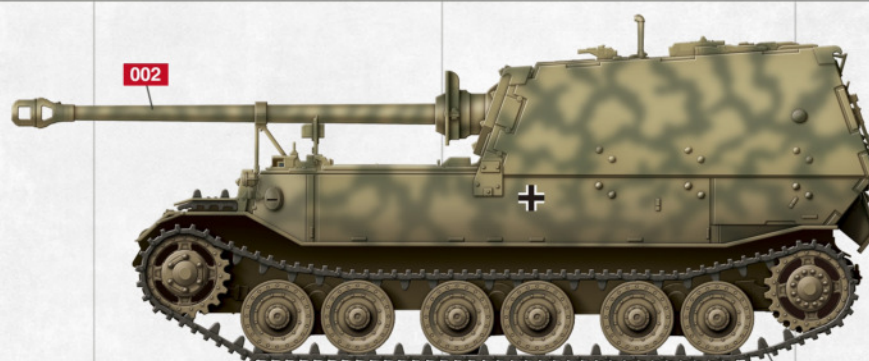
Crystal Periscope Green

A.MIG 002

Olivgrün Opt.2

A.MIG 010

Dunkelgelb Mid War



### WEATHERING STEPS WITH AMMO PRODUCTS

#### 1 GENERAL WASH

A.MIG-1000 Brown Wash for German Yellow

#### 2 FILTER

A.MIG-1504 Brown for Desert Yellow

#### 3 STREAKING

A.MIG-1206 Dark Streaking Grime

#### 4 TRACKS WASH

A.MIG-1002 Tracks Wash

#### 5 DUST

A.MIG-3007 Dark Earth

#### 6 SPLASHES

A.MIG-1751 Dry Steppe

#### 7 HEAVY MUD

A.MIG-1702 Turned Earth

#### 8 GREASE & OIL

A.MIG-1408 Fresh Engine Oil

## Painting and Marking Guide

A.MIG 035

Dark Tracks

A.MIG 036

Old Wood

A.MIG 037

New Wood

A.MIG 045

Gun Metal

A.MIG 095

Crystal Smoke

A.MIG 096

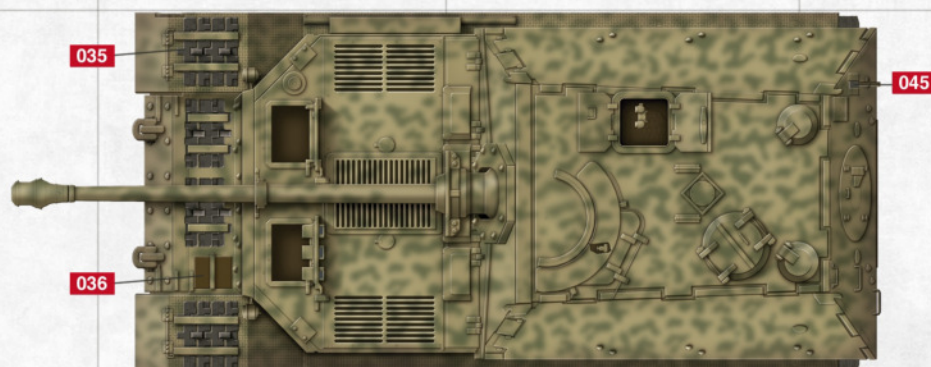
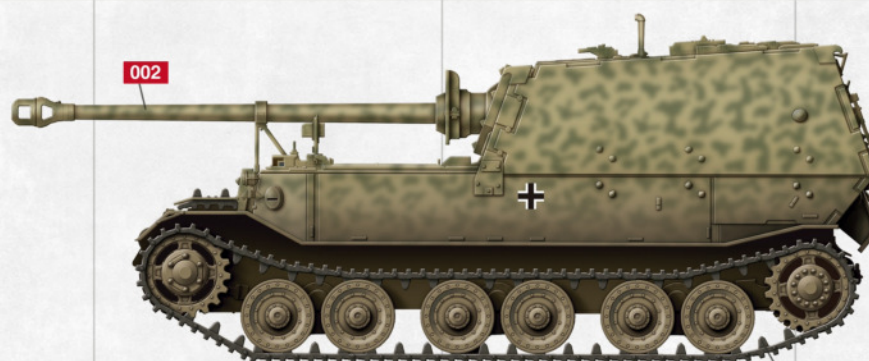
Crystal Periscope Green

A.MIG 002

Olivgrün Opt.2

A.MIG 010

Dunkelgelb Mid War



### WEATHERING STEPS WITH AMMO PRODUCTS

#### 1 GENERAL WASH

A.MIG-1000 Brown Wash for German Yellow

#### 2 FILTER

A.MIG-1504 Brown for Desert Yellow

#### 3 STREAKING

A.MIG-1206 Dark Streaking Grime

#### 4 TRACKS WASH

A.MIG-1002 Tracks Wash

#### 5 DUST

A.MIG-3007 Dark Earth

#### 6 SPLASHES

A.MIG-1751 Dry Steppe

#### 7 HEAVY MUD

A.MIG-1702 Turned Earth

#### 8 GREASE & OIL

A.MIG-1408 Fresh Engine Oil