

PV-1 Ventura

MINICRAFT
MODEL KITS

Plastic Model Kit

Skill Level 2

11681

- Decals by Cartograph
- 2 Marking Options
- Authentic Nose Art
- Pose-able Landing Gear

RCAF, Operational Trainer, 1948

US Navy, Unit Unknown, 1945

1/72 PV-1 Ventura™

LOCKHEED MARTIN®

LOCKHEED MARTIN®, PV-1 Ventura™, associated emblems and logos, and body designs of vehicles are either registered trademarks or trademarks of Lockheed Martin Corporation in the USA and/or other jurisdictions, used under license by Minicraft Models (US) LLC.

The United States Navy operated the PV-1 Ventura throughout WWII as both a long-range patrol bomber and as a gunship used to attack enemy ground targets and shipping. After WWII the Ventura was largely phased out as newer models replaced the pre-war design but the Ventura continued to operate in limited roles for training and reserve duties. After World War II, many Ventura's were sold as surplus for use by private operators.

This new kit features new markings printed by Cartograf representing one late war aircraft and one Canadian aircraft from 1948.

Marking included in this kit are:
RCAF, Operational Trainer, 1948
US Navy, Unit Unknown, 1945

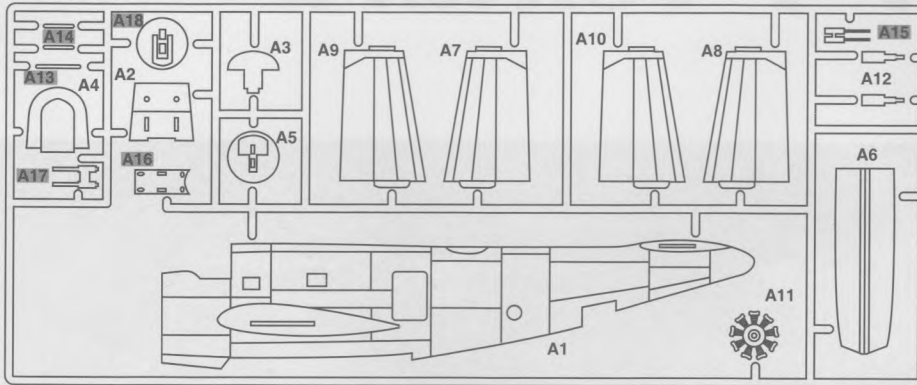
Minicraft Models, 1501 Commerce Drive, Elgin IL 60123 USA
www.minicraftmodels.com

Printed in China

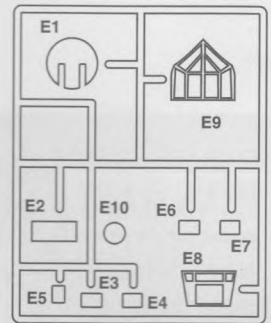
11681

PARTS LOCATING DIAGRAM

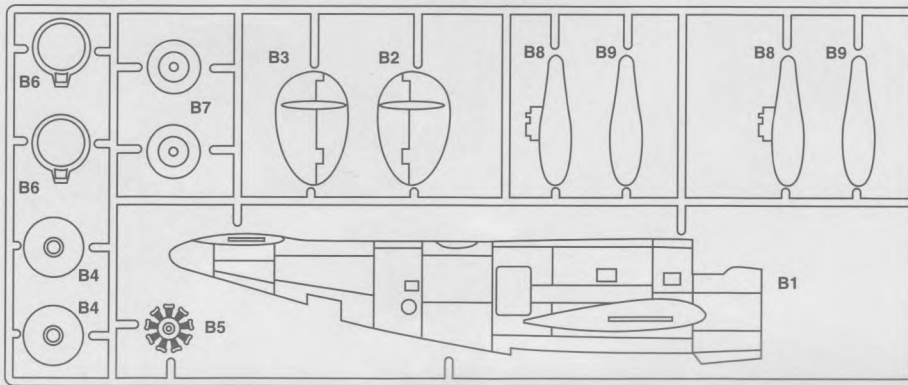
SPRUE A



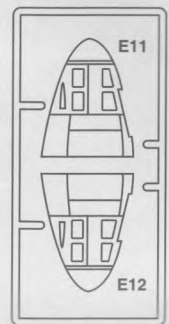
CLEAR SPRUE E



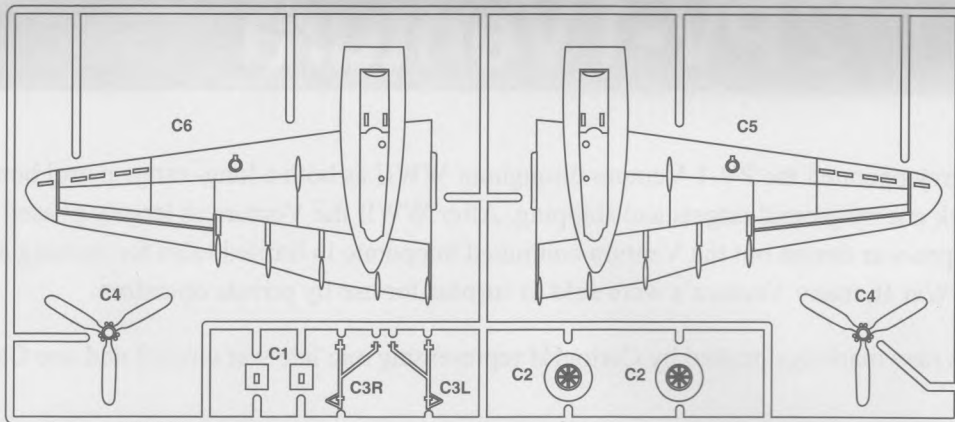
SPRUE B



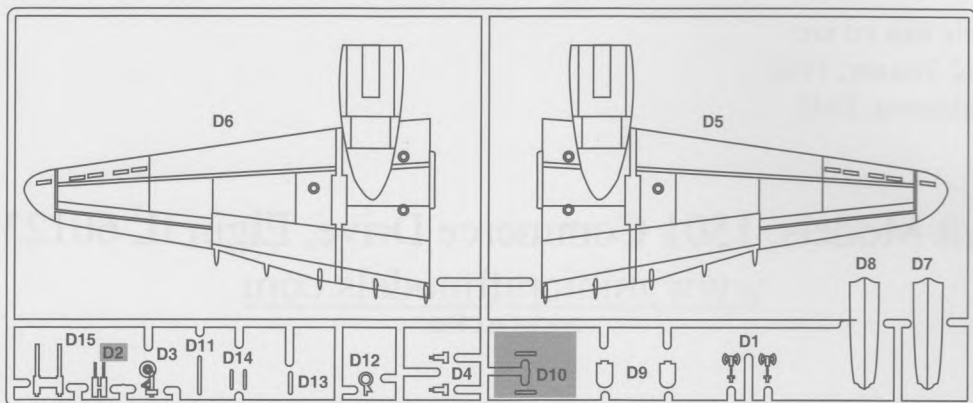
CLEAR SPRUE E



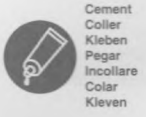
SPRUE C



SPRUE D



NOTE: Parts shown in gray are not for use.



Cement
Coller
Kleben
Pegar
Incollare
Colar
Kleven



DO NOT Cement
Ne pas Coller
Nicht Kleben
No Pegar
Non Incollare
Nao Colar
Niet Kleven



Cut away
Couper
Scheiden
Cortar
Tagliere
Cortar
Snijden



Optional parts
Choix
Auswahlmoglichkeit
Eleccion
Scelta
Opaco
Keuze



Repeat operation
RZpetet' i opzratan
Vorgang wiederholen
Repitir la operacion
Ripetere
Repitir a operacao
Herhalen



Symmetrical assembly

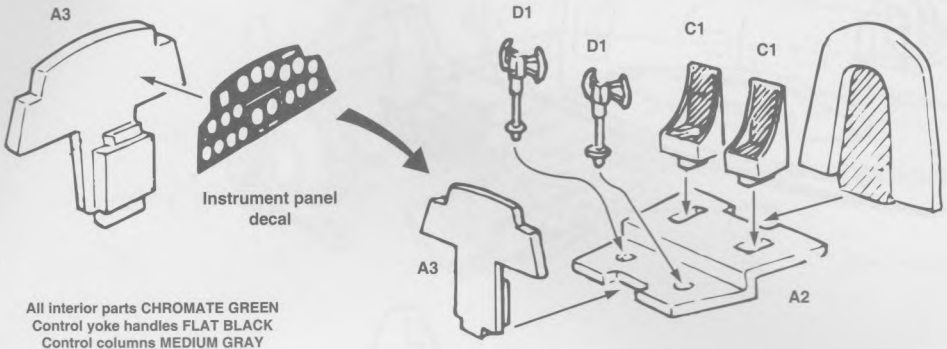


Drill hole

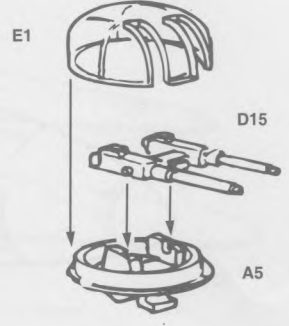
1 INTERIOR / TURRET



All Parts



All interior parts CHROMATE GREEN
Control yoke handles FLAT BLACK
Control columns MEDIUM GRAY



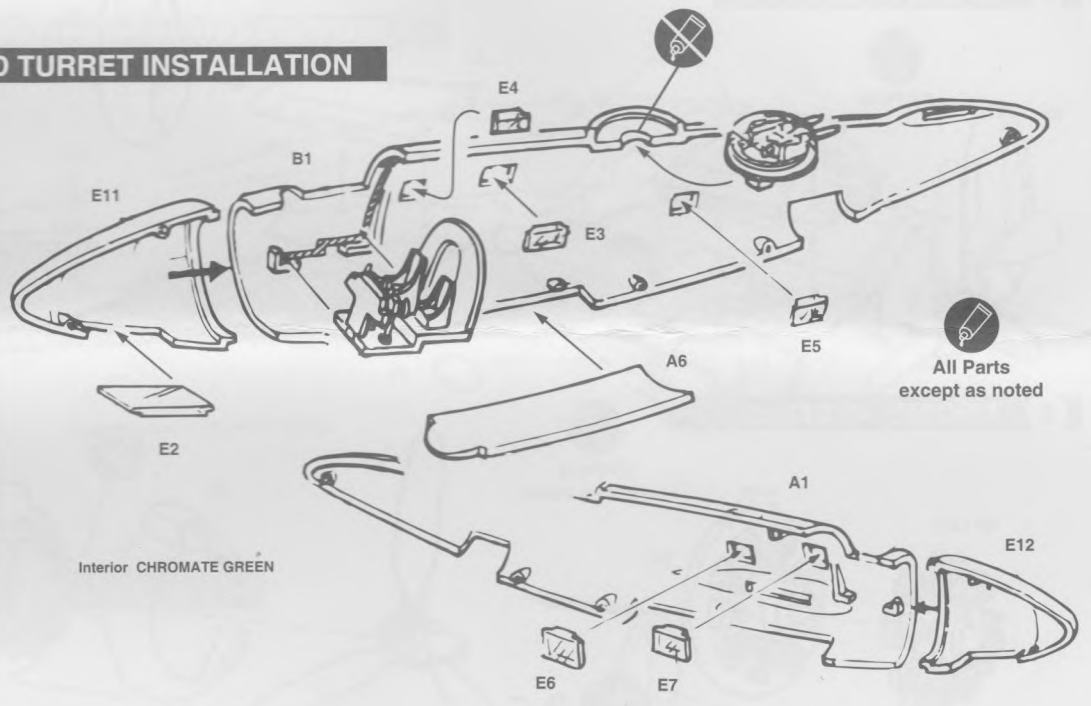
Turret interior CHROMATE GREEN
Guns GUNMETAL

2 COCKPIT AND TURRET INSTALLATION

NOTE
Carefully sand off window panel lines and fill gun ports (shown in gray).

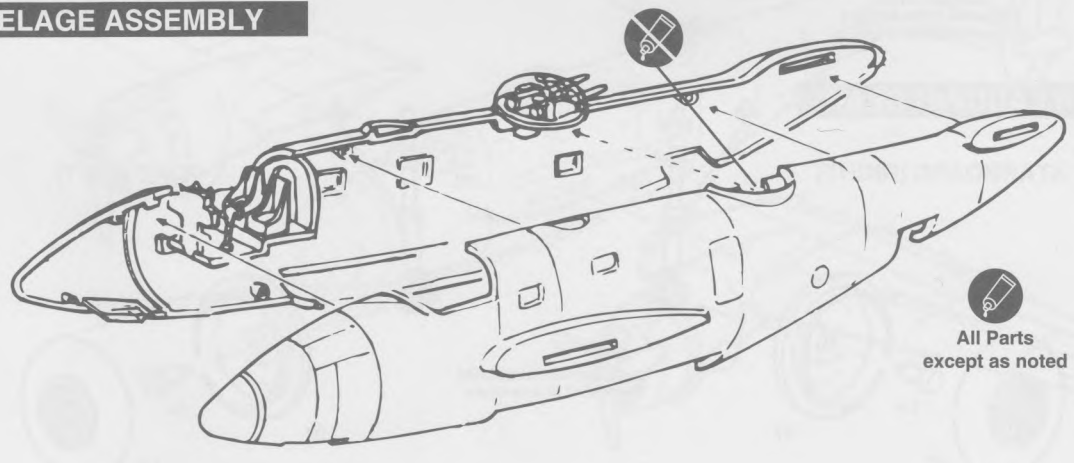
E11

E12



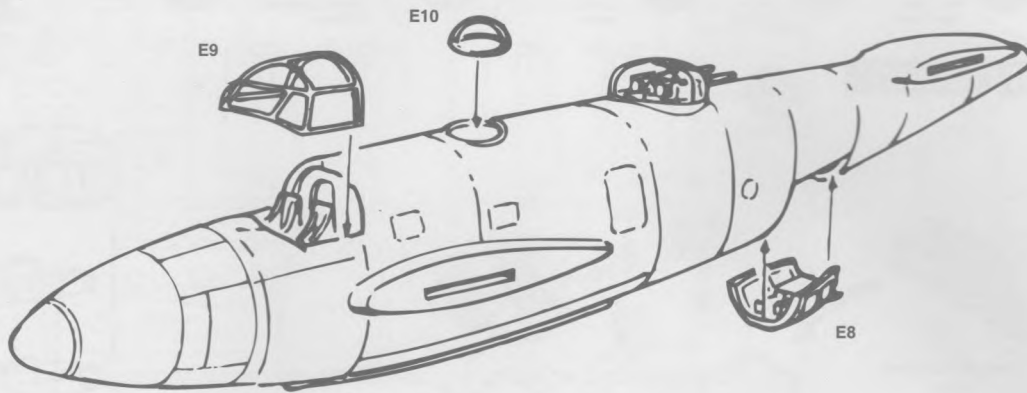
All Parts except as noted

3 FUSELAGE ASSEMBLY

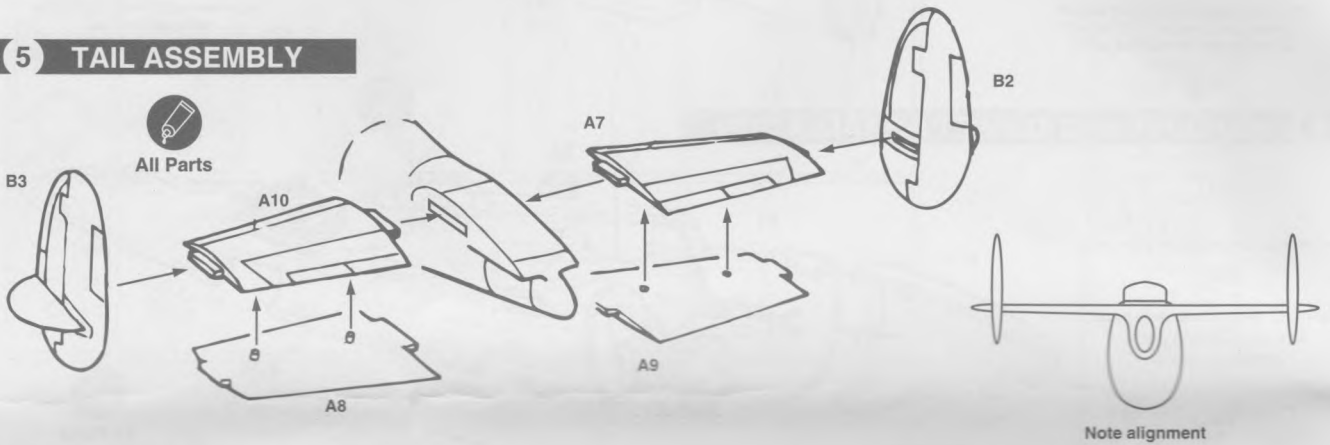
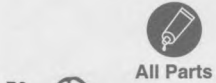


All Parts except as noted

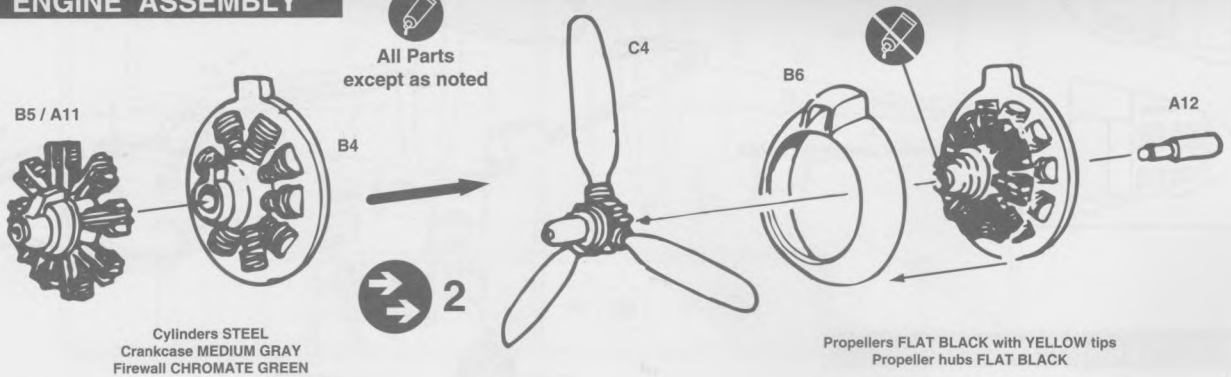
4 CANOPY INSTALLATION



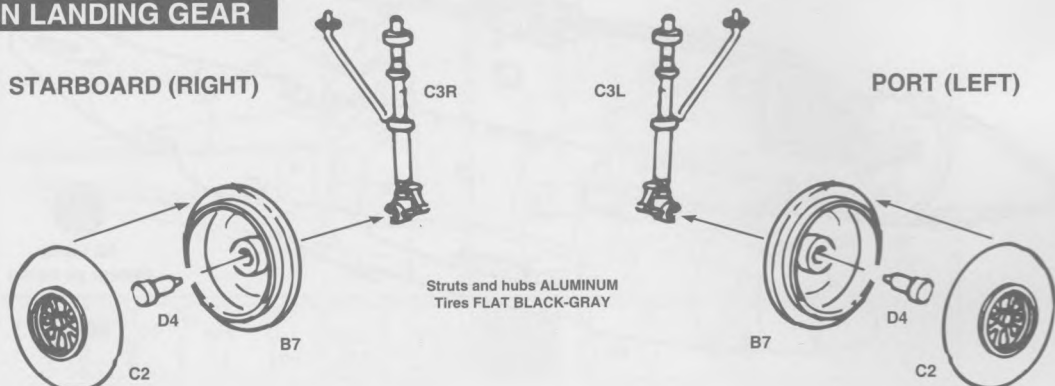
5 TAIL ASSEMBLY



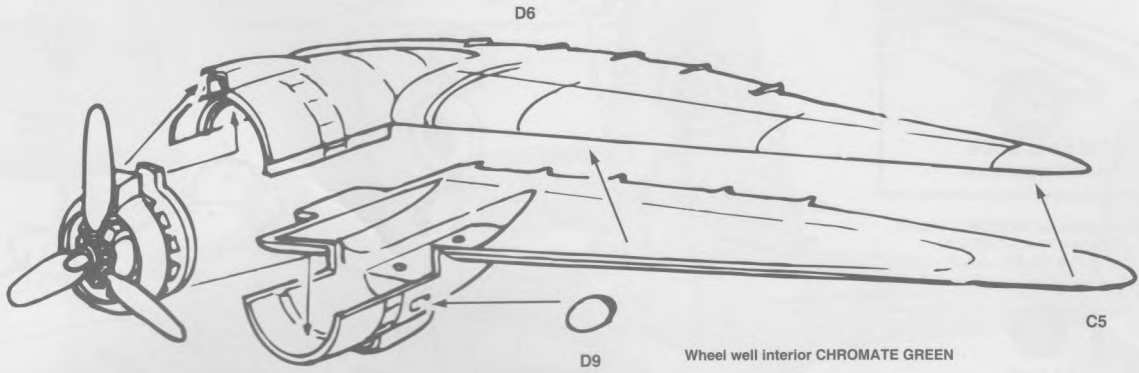
6 ENGINE ASSEMBLY



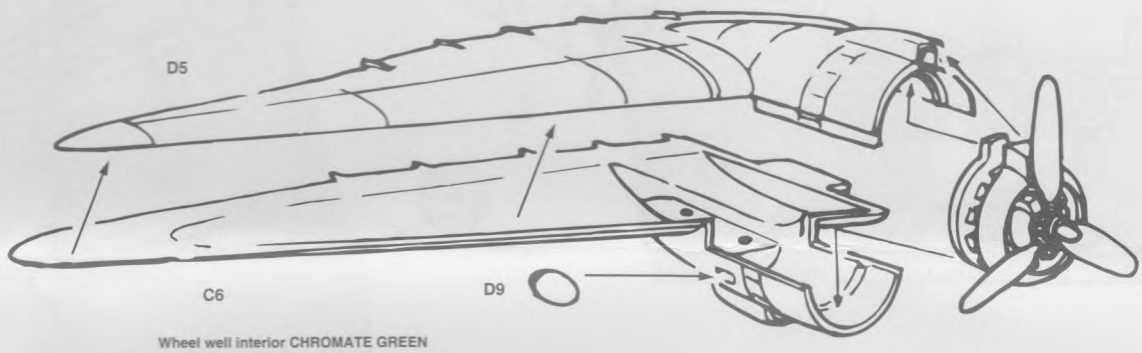
7 MAIN LANDING GEAR



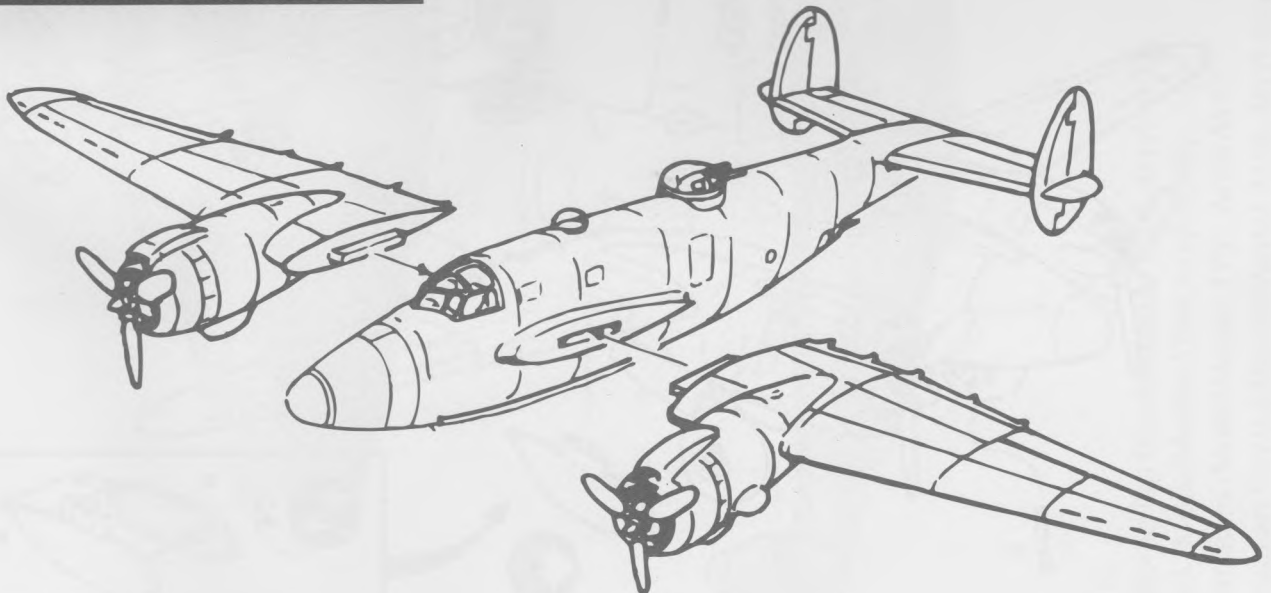
8 PORT (LEFT) WING ASSEMBLY



9 STARBOARD (RIGHT) WING ASSEMBLY



10 WING INSTALLATION



11 LANDING GEAR INSTALLATION

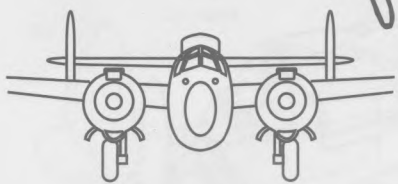
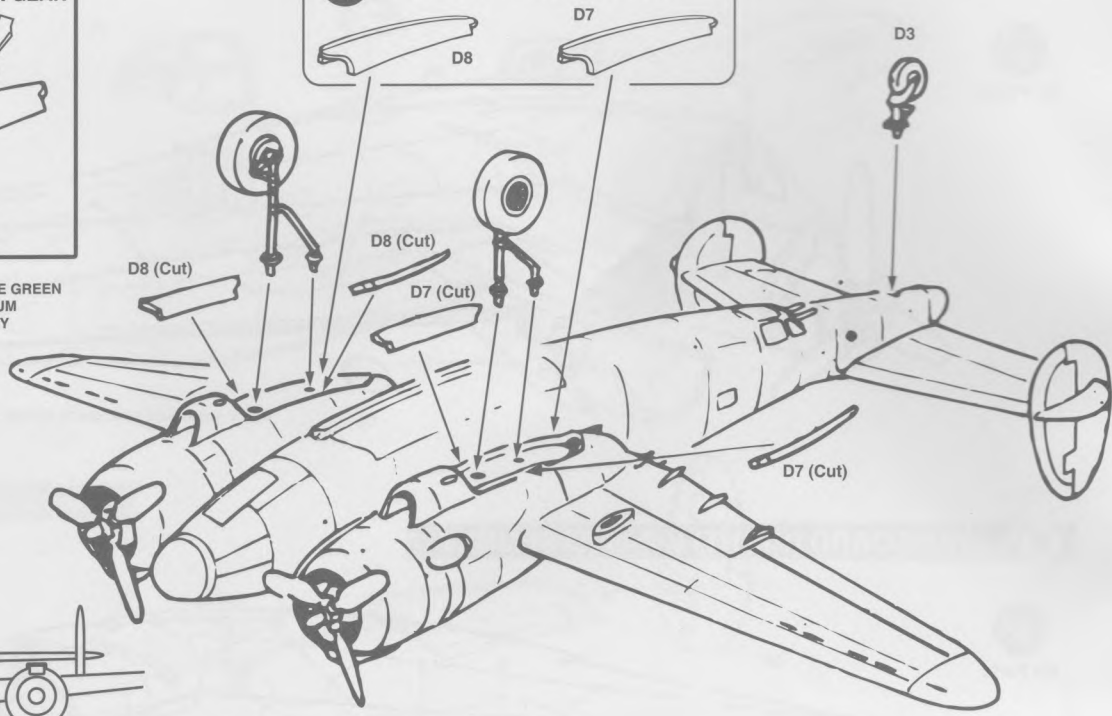
EXTENDED MAIN GEAR

Cut parts D7/D8 in half as shown

RETRACTED MAIN GEAR OPTION

Gear door interiors CHROMATE GREEN
Tailwheel strut ALUMINUM
Tire FLAT BLACK-GRAY

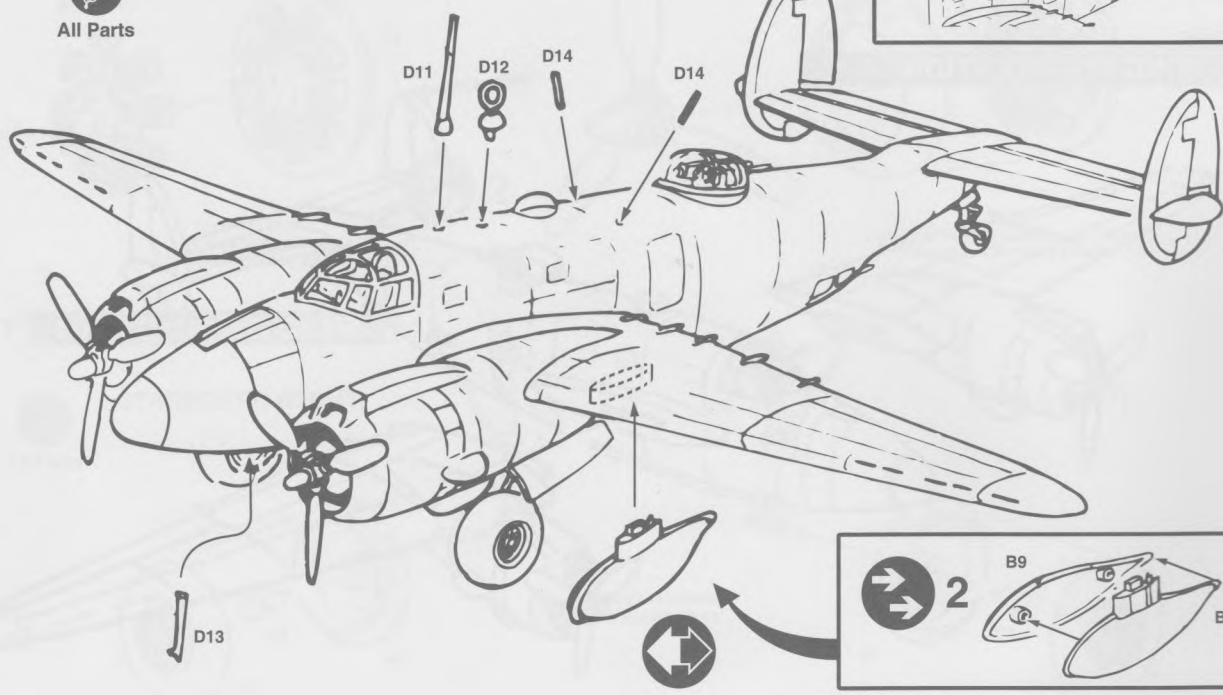
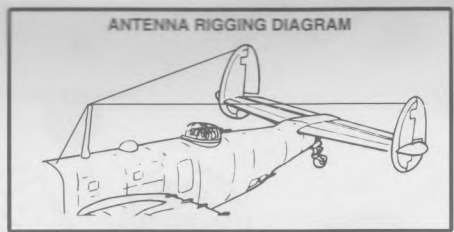
All Parts



Note alignment

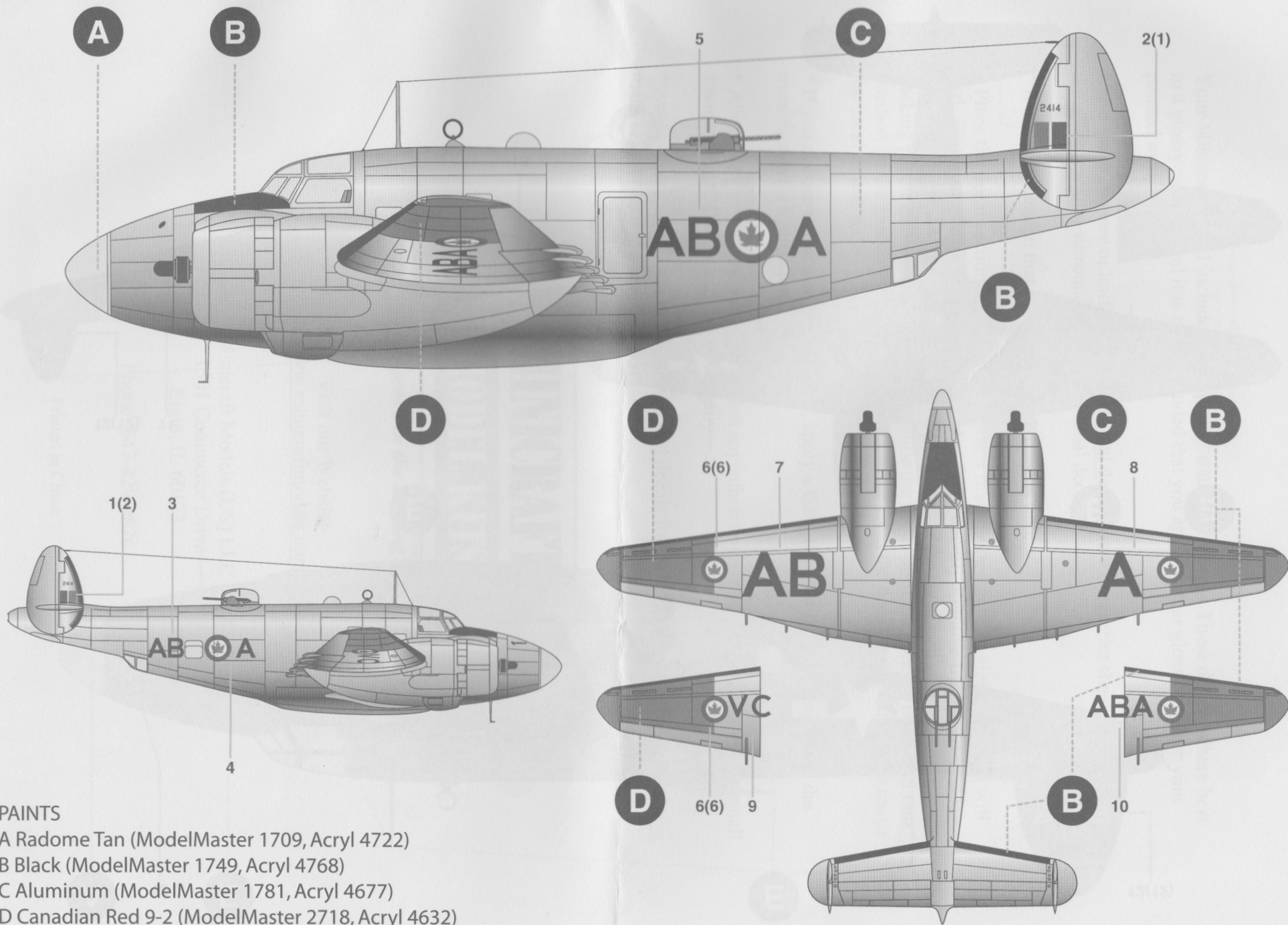
12 FINAL ASSEMBLY

All Parts



RCAF, Operational Trainer, 1948

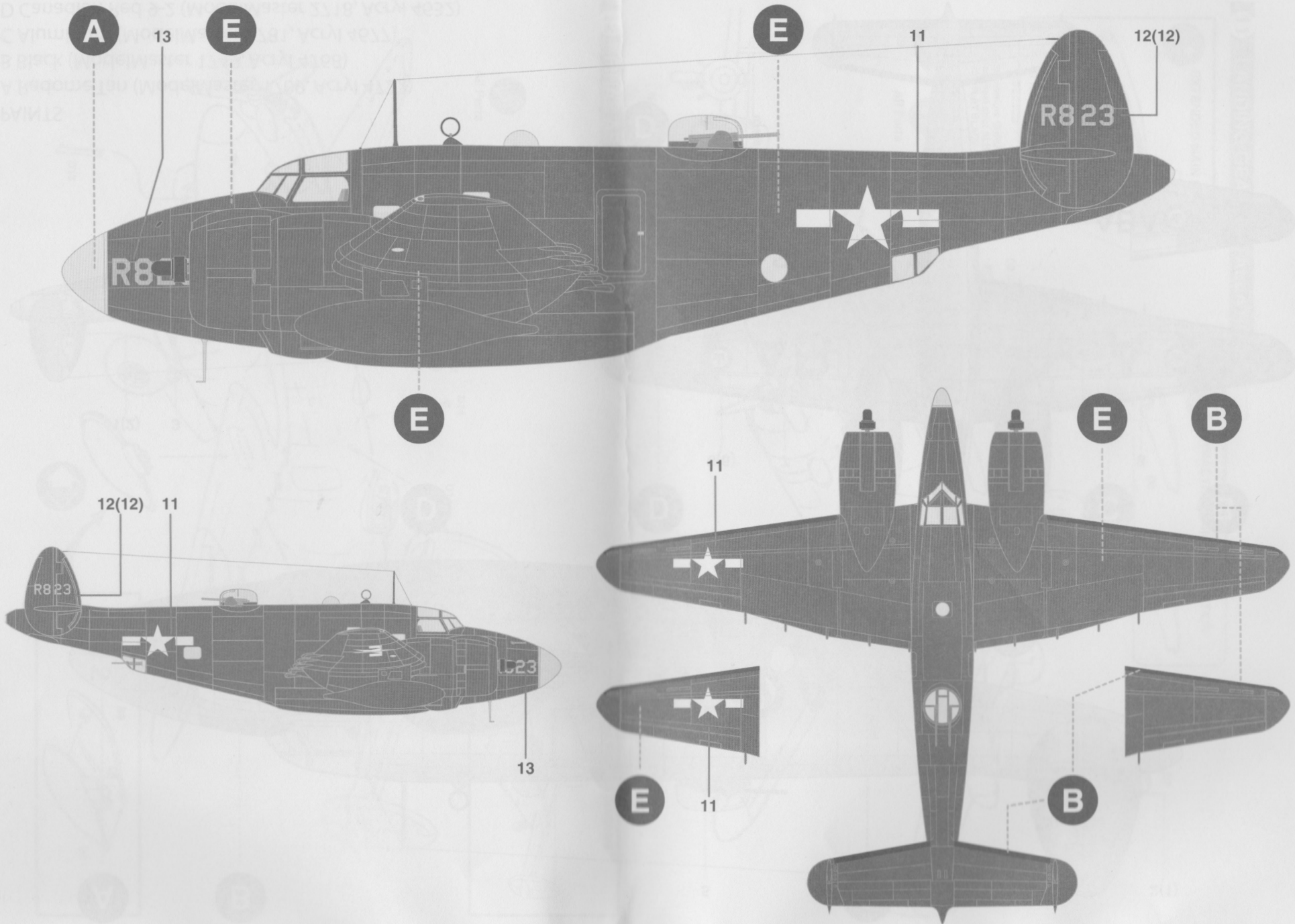
11681



PAINTS

- A Radome Tan (ModelMaster 1709, Acryl 4722)
- B Black (ModelMaster 1749, Acryl 4768)
- C Aluminum (ModelMaster 1781, Acryl 4677)
- D Canadian Red 9-2 (ModelMaster 2718, Acryl 4632)
- E U.S. Navy Dark Sea Blue (ModelMaster 1718, Acryl 4686)

US Navy, Unit Unknown, 1945



Your Minicraft model includes high-quality waterslide decals. These decals adhere best to a glossy surface; and it is recommended that you apply a clear gloss coat over your painted model.

Use a sharp scissors or knife to cut individual decals from the carrier sheet. Do not cut into the clear film surrounding the individual decals.

* It is recommended that you apply one decal at a time.

* Place the decal section in warm water, when first inserted in the water your decal will curl, after approximately ten seconds the decal will uncurl. Remove from water and lay on a paper towel. After approximately 10 - 20 seconds the decal will slide freely from the backing paper. Use a small brush to help slide the decal from the backing paper and into position on the model. Carefully blot excess water from the decal, using care not to move the decal or tear it.

* If you choose to use a setting solution, apply a thin coat over the decal following the manufacturer's instruction.

* Allow the decal to dry overnight. Wash any adhesive residue off the model with a small amount of clean water and dry thoroughly.

* Apply clear gloss, matte or flat coat to seal decals following the instructions from the manufacturer.



Legends in the making™

Visit our Website-
www.minicraftmodels.com

Minicraft Models (US) LLC
1501 Commerce Drive
Elgin, IL 60123

Phone: 847-429-9676

Printed in China