

1/35 SCALE

5038

Military Miniature Series



# BRITISH SHERMAN VC FIREFLY

## ASSEMBLY ICONS



OPTIONAL  
选择



CEMENT  
膠水



DO NOT CEMENT  
不使用膠水



INSTANT CEMENT  
瞬間接著劑



BEND  
彎折



MAKE 2  
製作2組



OPEN HOLE  
鑽孔



REMOVE  
切除



BE CAREFUL  
注意



APPLY DECAL  
貼上水貼紙

## CAUTION!

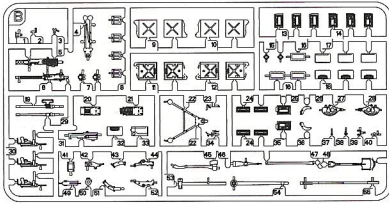
Read carefully and fully understand the instructions before commencing assembly.  
Supervising adult should also read the instructions if a child assembles the model.  
When you used glue or paint, do not use near a naked flame, and use in a well-ventilated room.  
When assembling this kit, tools including knives are used. Extra care should be taken to avoid personal injury.  
Read and follow the instructions supplied with paints and/or cement. Use plastic cement and paints only.  
Keep out of reach of small children. Children must not be allowed to suck any part, or pull vinyl bag over the head.

在裝配前仔細閱讀說明並完全理解。小孩裝配時需成人看護且需仔細閱讀說明。  
使用膠水和油漆時，應遠離火源並打開窗戶保持空氣流通。  
製作時請格外注意工具刀和零件的鋒利尖銳部分，避免對身體造成傷害。  
在使用膠水和油漆前仔細閱讀注意事項，按照說明正確使用膠水和油漆。  
請將本品放在兒童接觸不到的地方，套件中的塑膠包裝袋會對兒童造成窒息的危險。

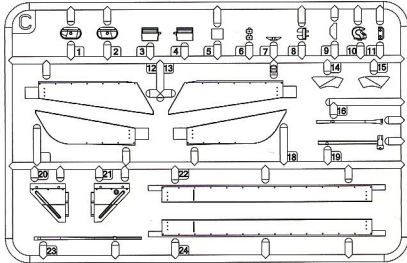


**PARTS 部品图**

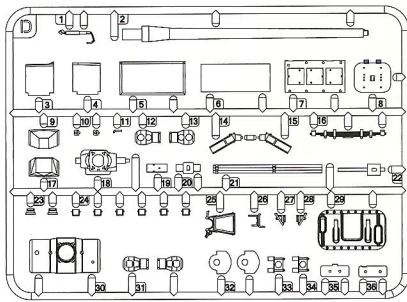
**B x1**



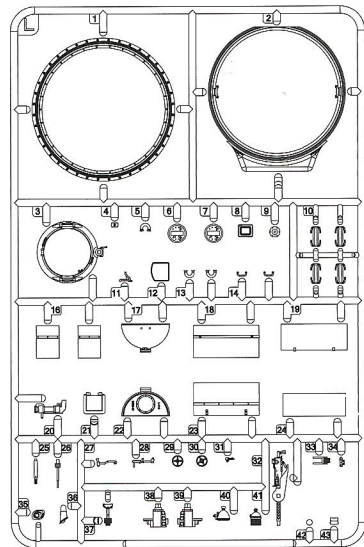
**C x1**



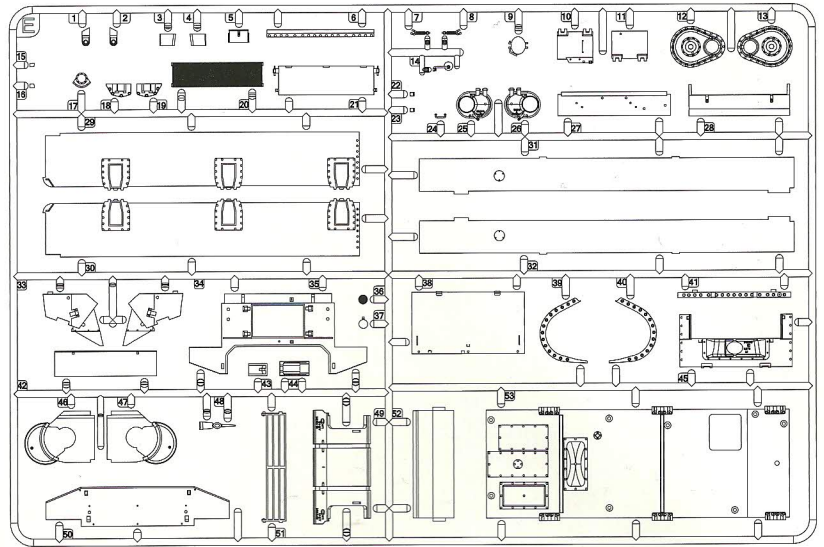
**D x1**



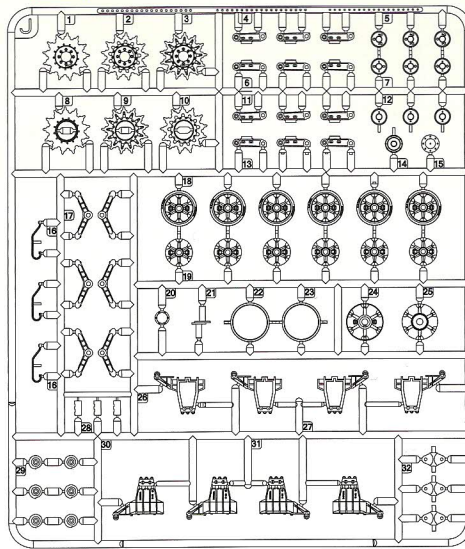
**L x1**



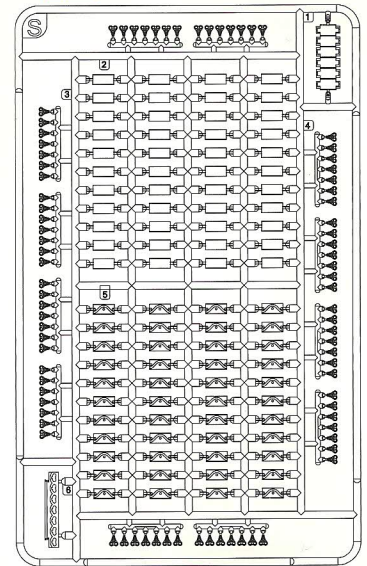
**E x1**



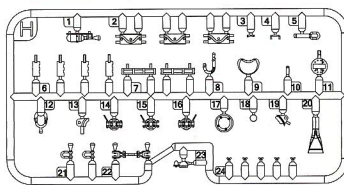
**J x2**



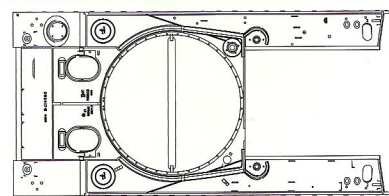
**S x4**



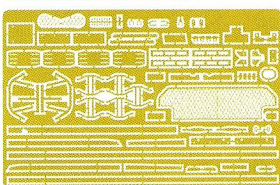
**H x2**



**Lower Hull x1**



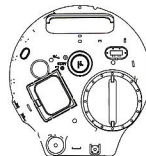
**Photo-etched x1**



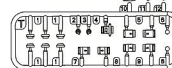
**Decal x1**



**Turret x1**



**T x1**



**Spring x12**



**Poly Cap x1**

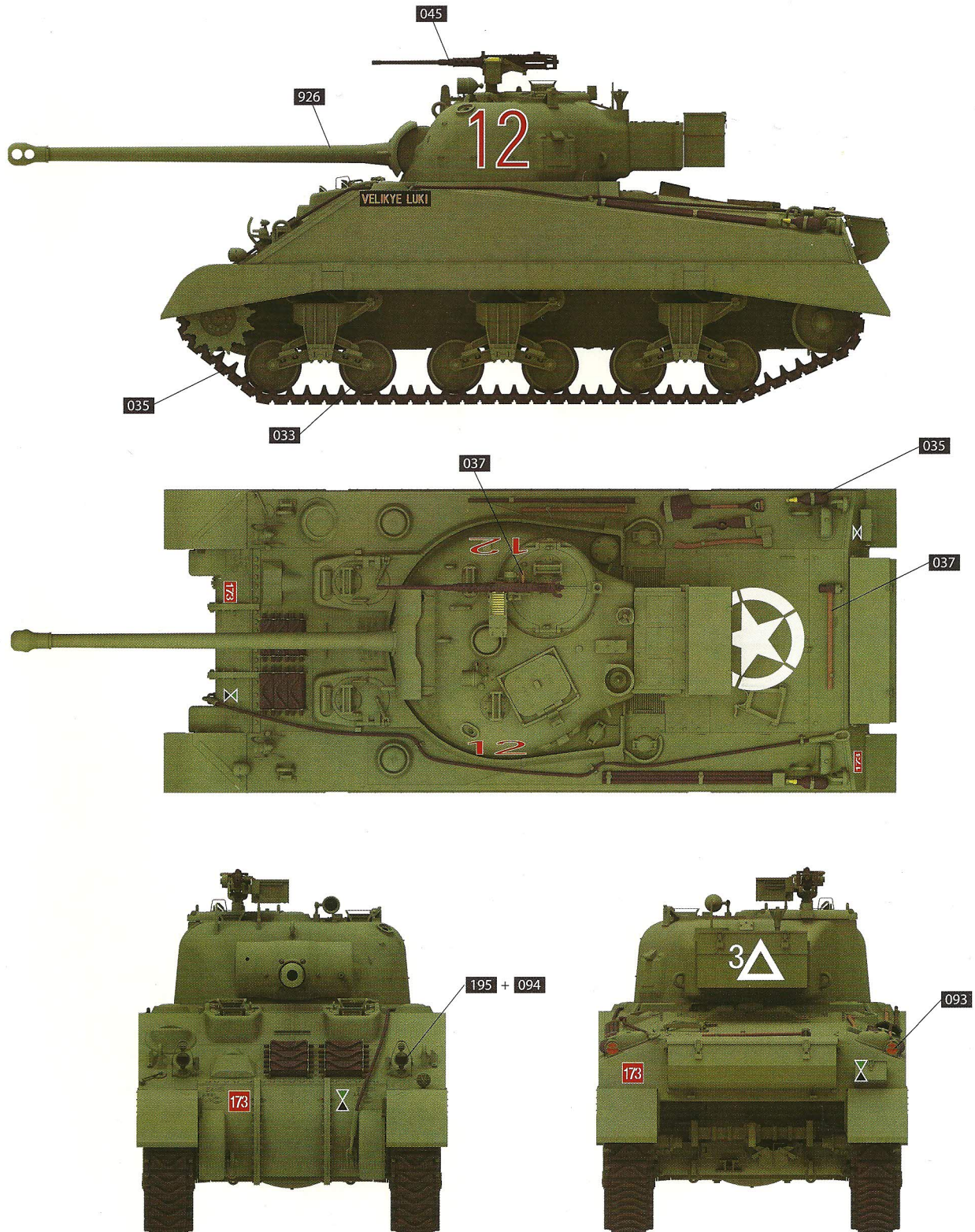




# PAINTING AND MARKING GUIDE

 A.MIG 926 Olive Drab Base	 A.MIG 035 Dark Tracks	 A.MIG 093 Crystal Red
 A.MIG 033 Rubber & Tires	 A.MIG 45 Gun Metal	 A.MIG 037 New Wood
 A.MIG 195 Silver	 A.MIG 094 Crystal Glass	 A.MIG 096 Crystal Periscope Green

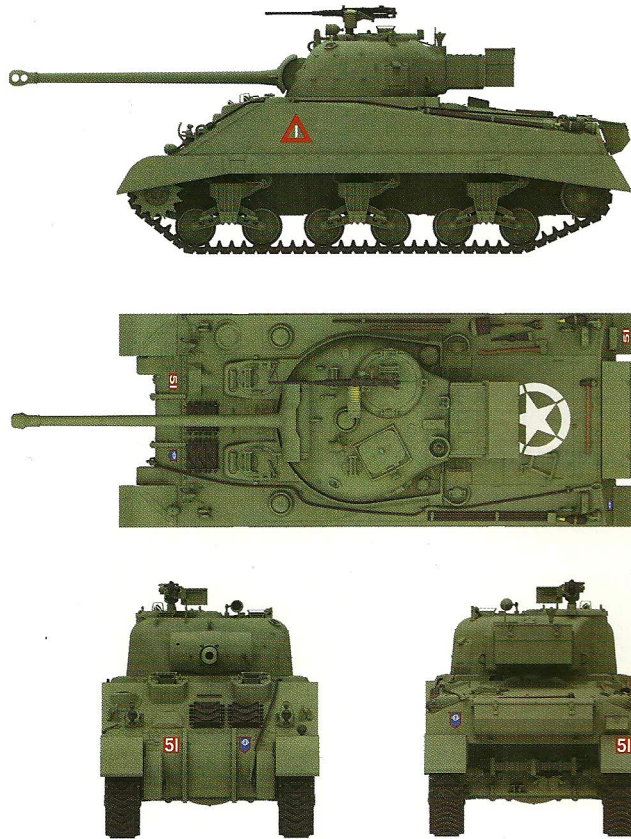
1944年8月 法国, 英军第33装甲旅, 北安普顿第1义勇骑兵团, A中队, 第3分队 velikiye luki “大卢基”号  
3 Troop, A Sqd. Northamptonshire Yeomanry. France 1944



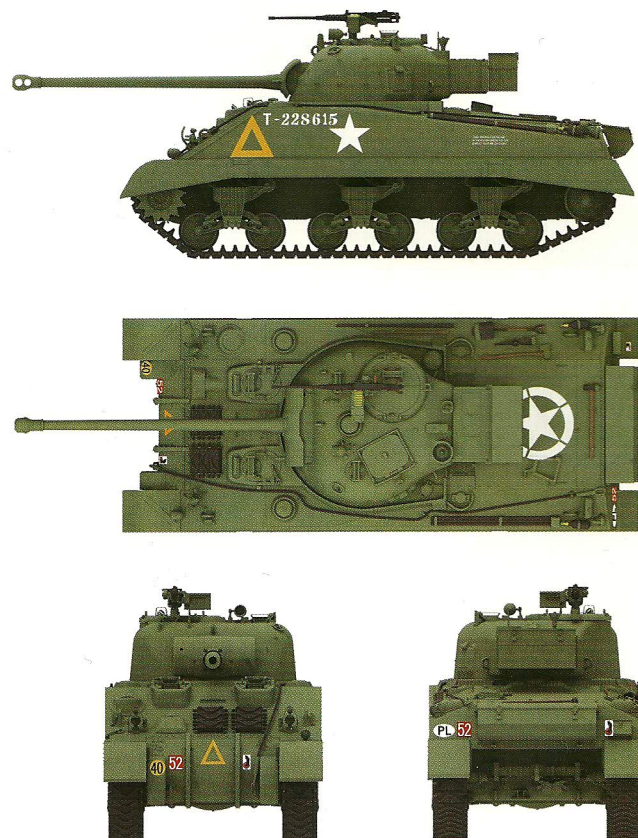


The Netherlands. British Guards Armored Division, 5th Guardian Armored Brigade, 2nd Armored Battalion , Grenadier Guards, A Squadron, September 1944.

1944年9月 荷兰, 英国禁卫军装甲师, 第5禁卫装甲旅, 禁卫掷弹兵团第2装甲营, A中队, 鲁滨逊中士坐车涂装样式。

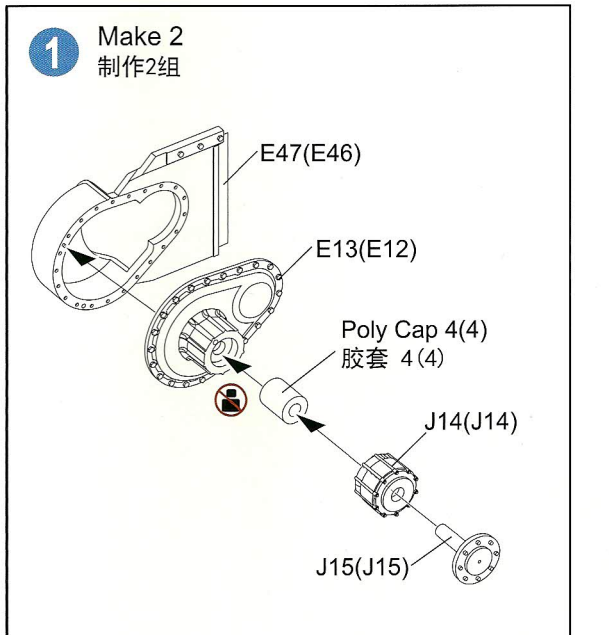
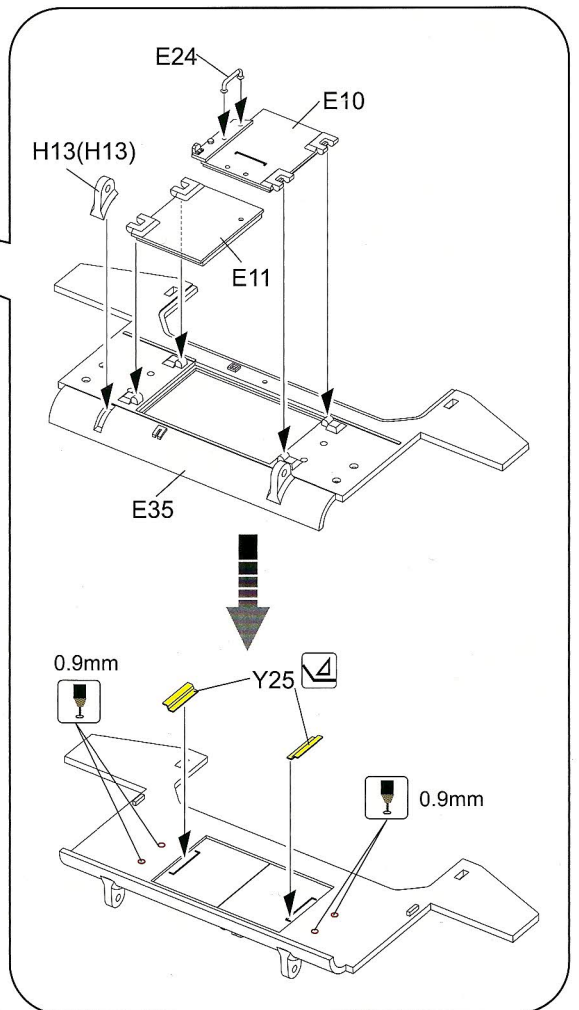
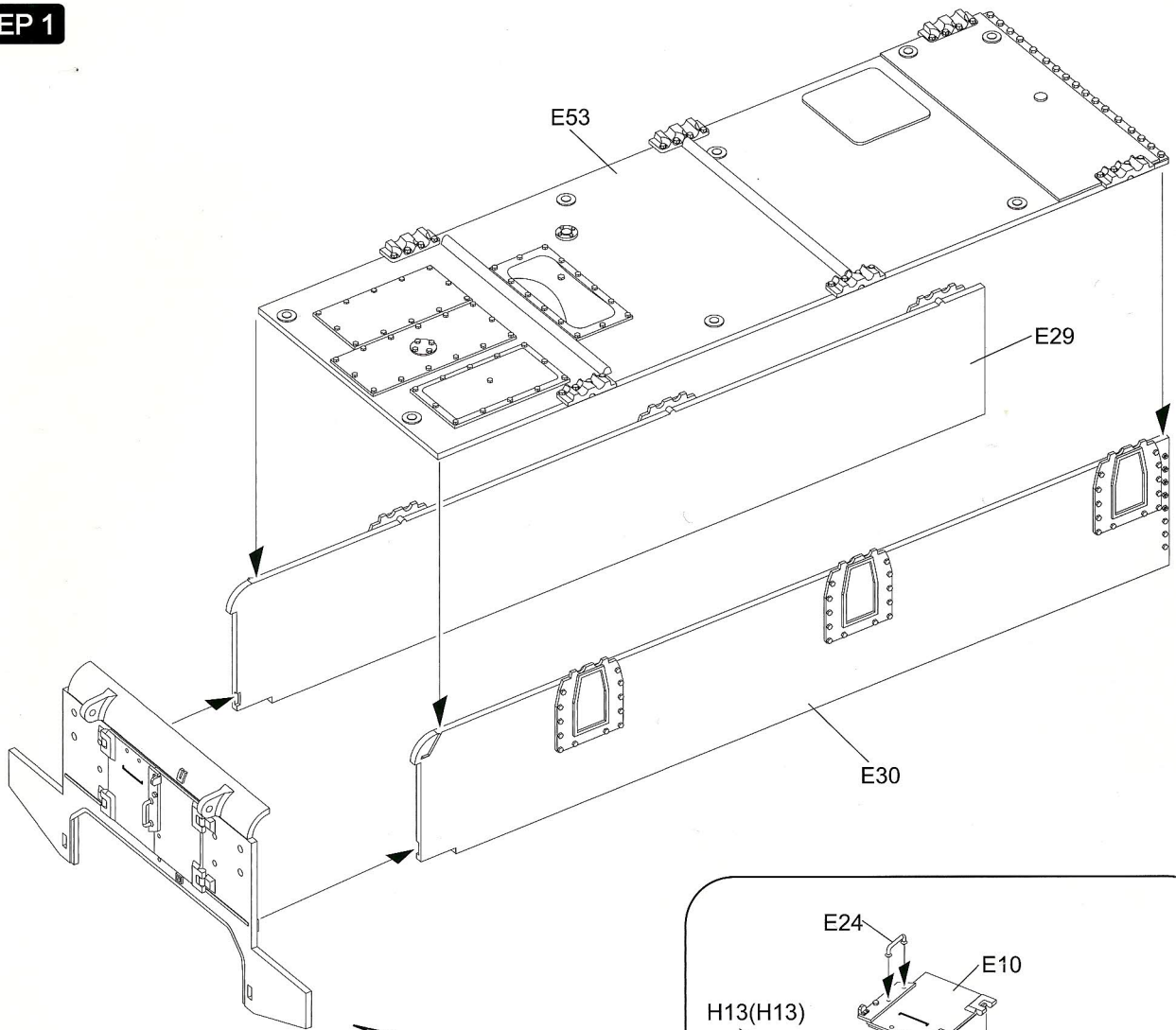


1st squardon, 2nd armoured regiment, polish 1st armoured division; UK., spring 1944  
1944年春季, 英国。波兰第1装甲师, 第2装甲团第1中队。





**STEP 1**

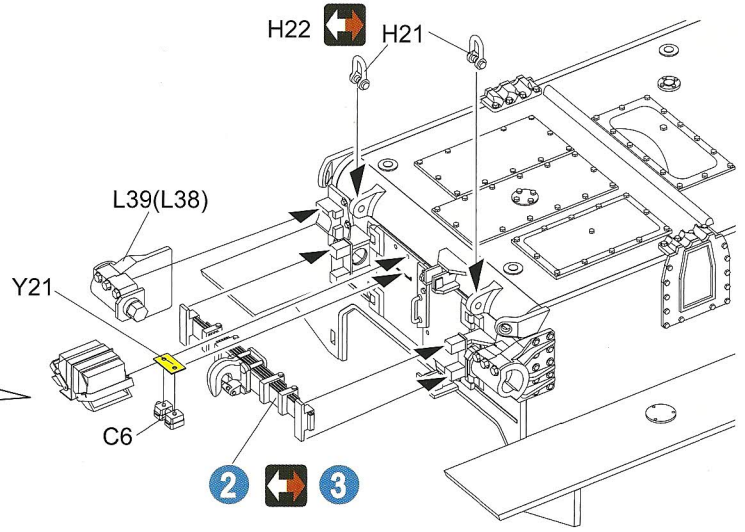
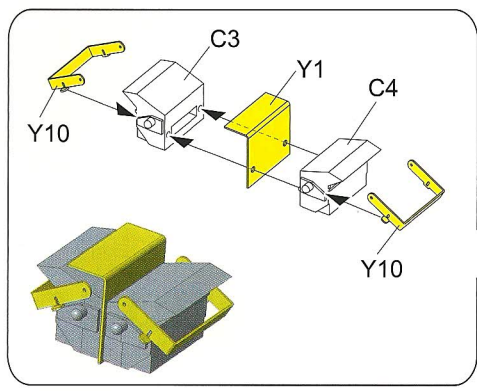




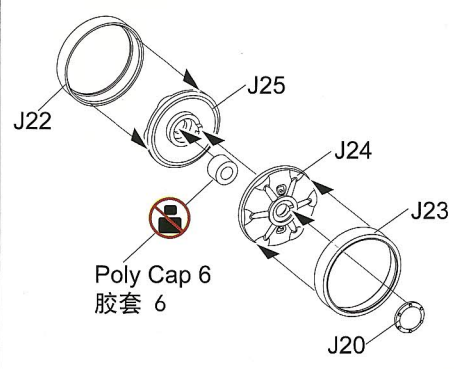




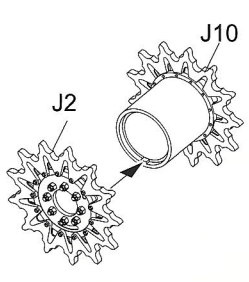
**STEP 4**



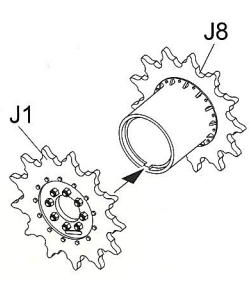
**4** Make 2  
制作2组



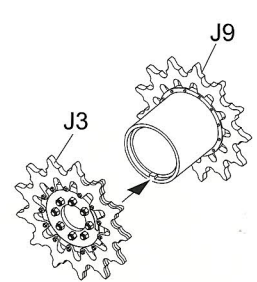
**5** Make 2  
制作2组



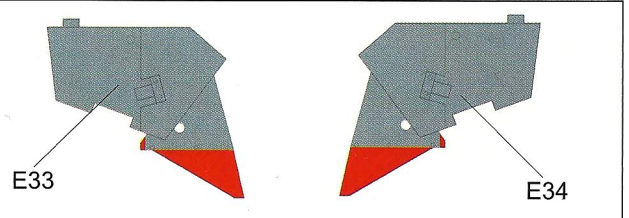
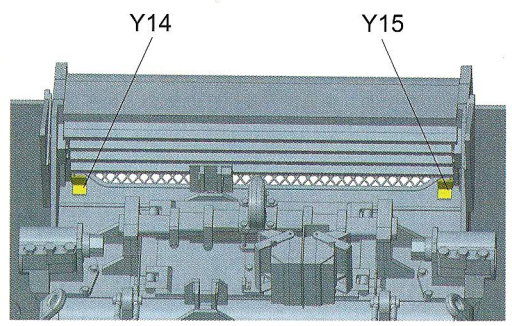
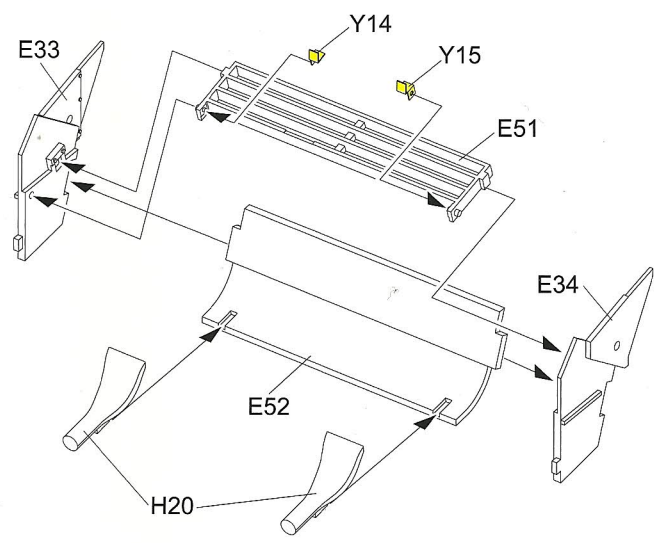
**6** Make 2  
制作2组



**7** Make 2  
制作2组



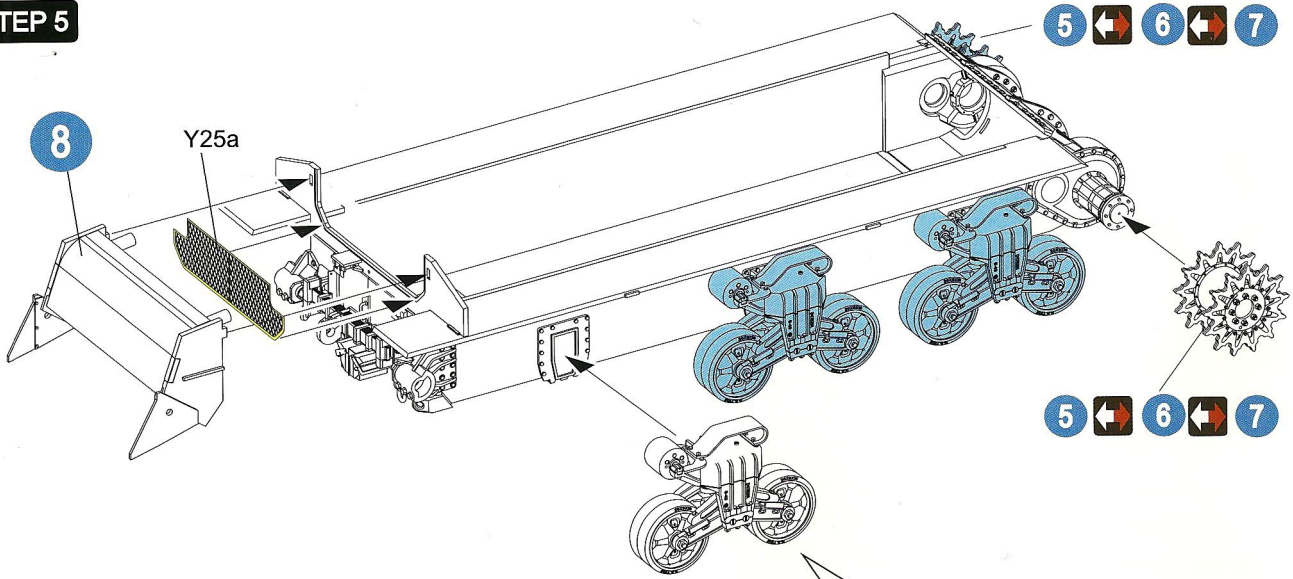
**8**



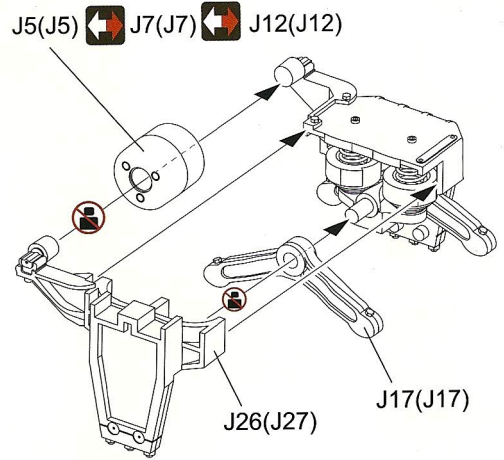
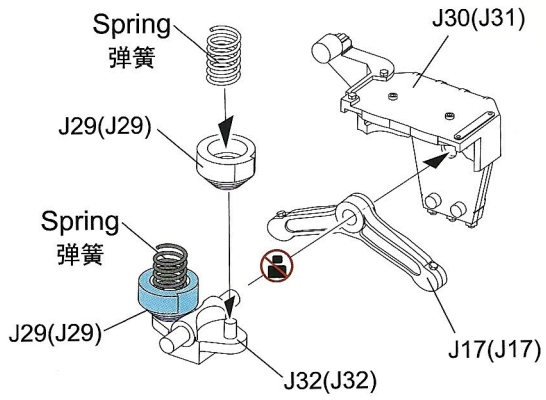
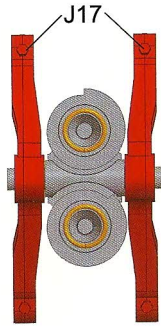
If choosing part Y35, please cut out the red part, please refer to page 15 for the assembly steps of Y35  
选装Y35时请切除红色部位，Y35的装配步骤请参见第15页



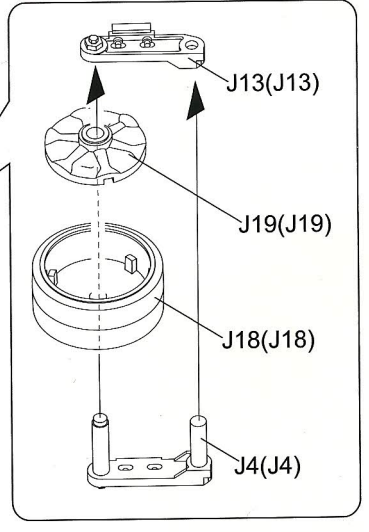
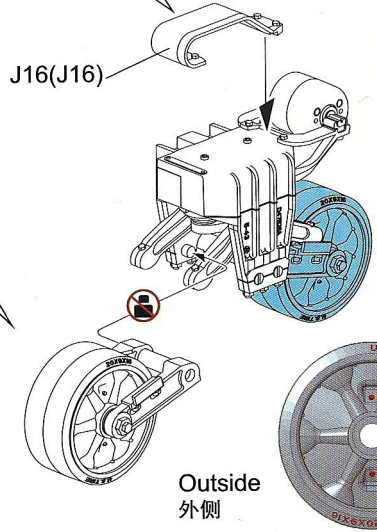
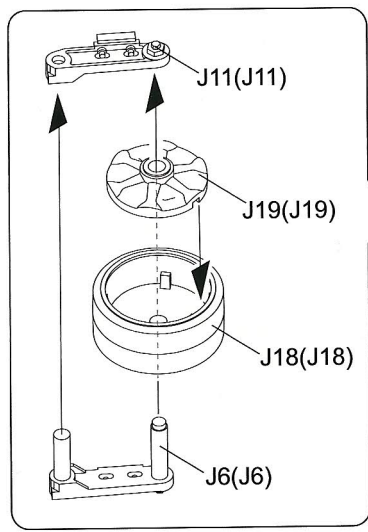
**STEP 5**



Make 6  
制作6组

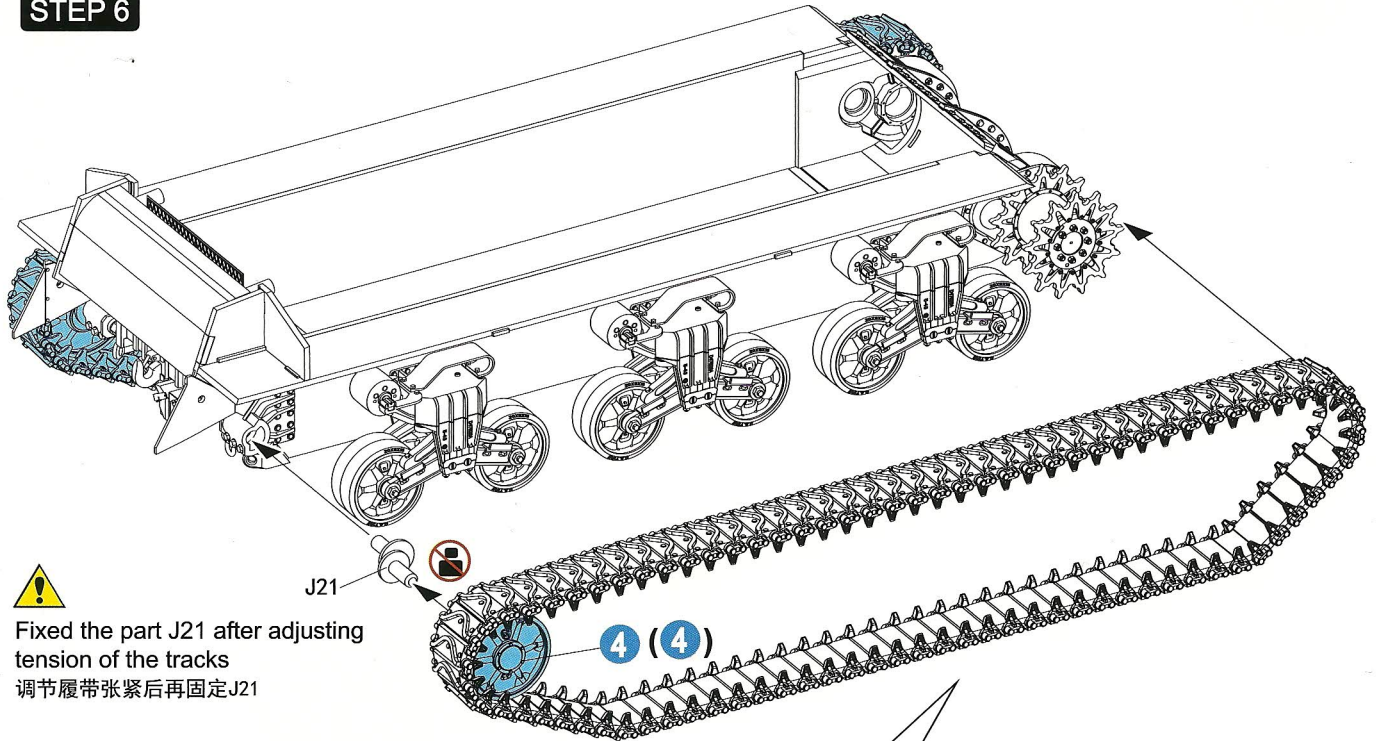


Cut Out From The Sprue J  
从J板胶道上获取



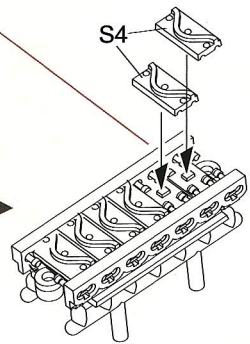
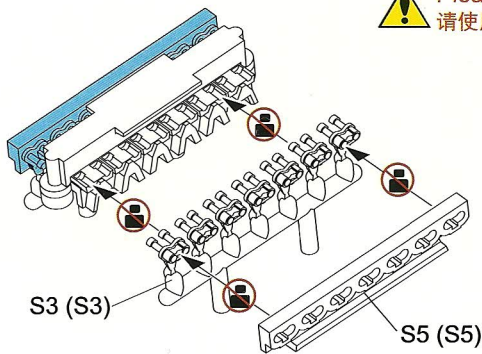
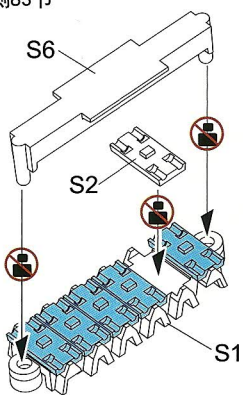


**STEP 6**

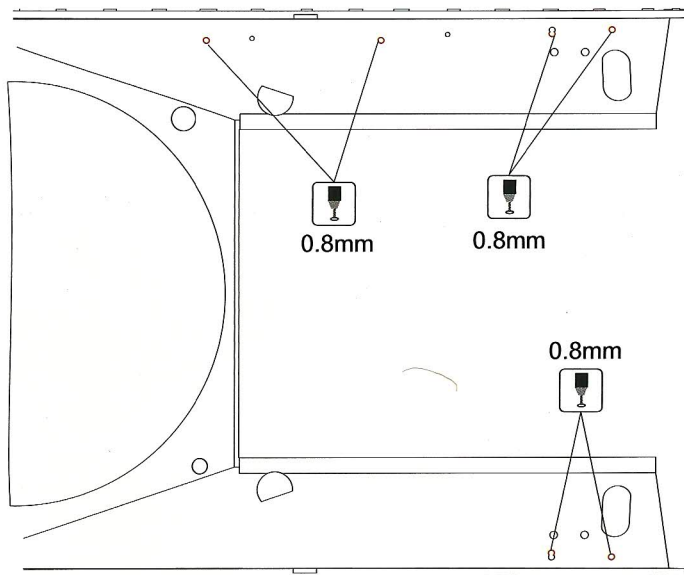


Fixed the part J21 after adjusting tension of the tracks  
调节履带张紧后再固定J21

83 pieces on each side  
每侧83节

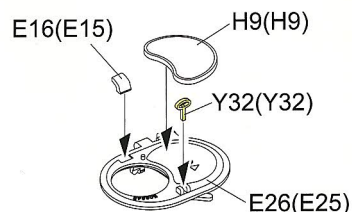
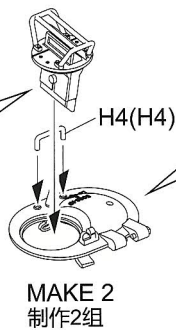
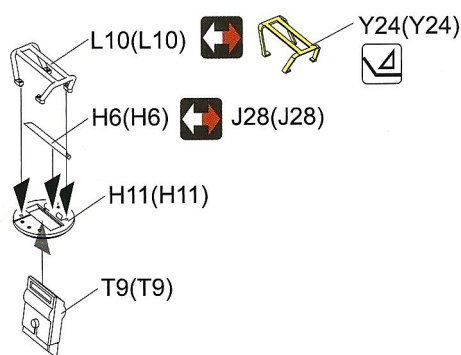
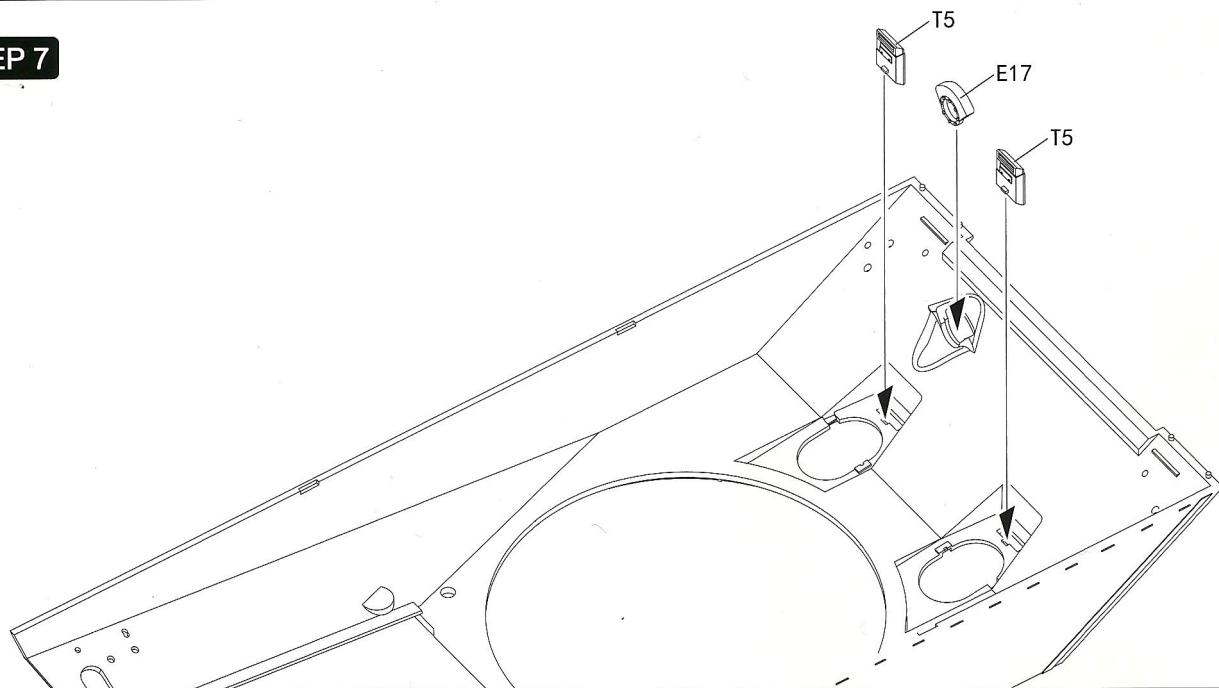


Please with a small amount of cement  
请使用少量胶水

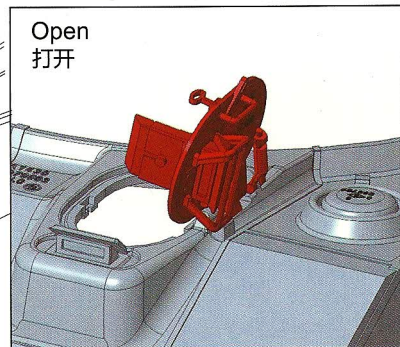
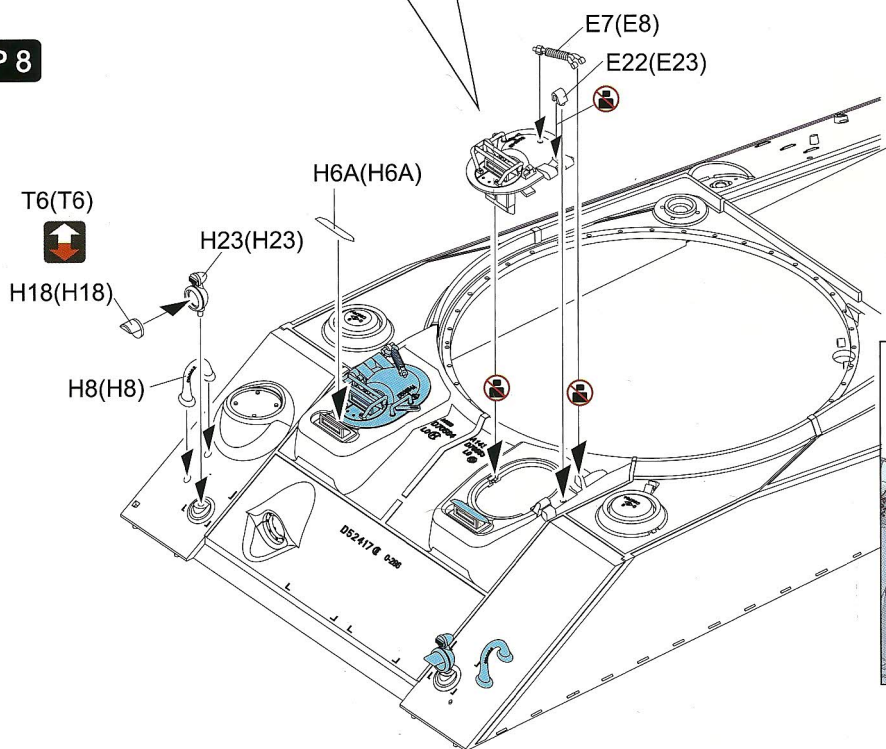




**STEP 7**

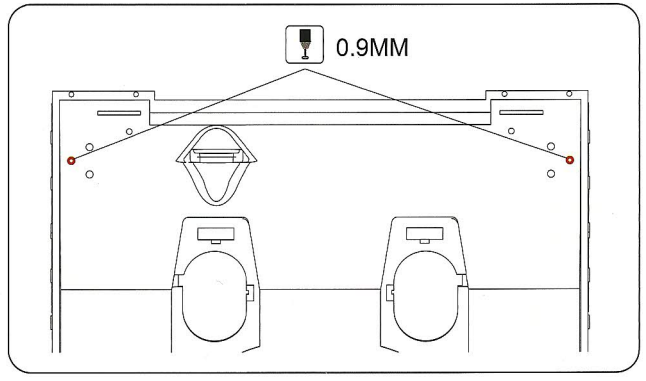
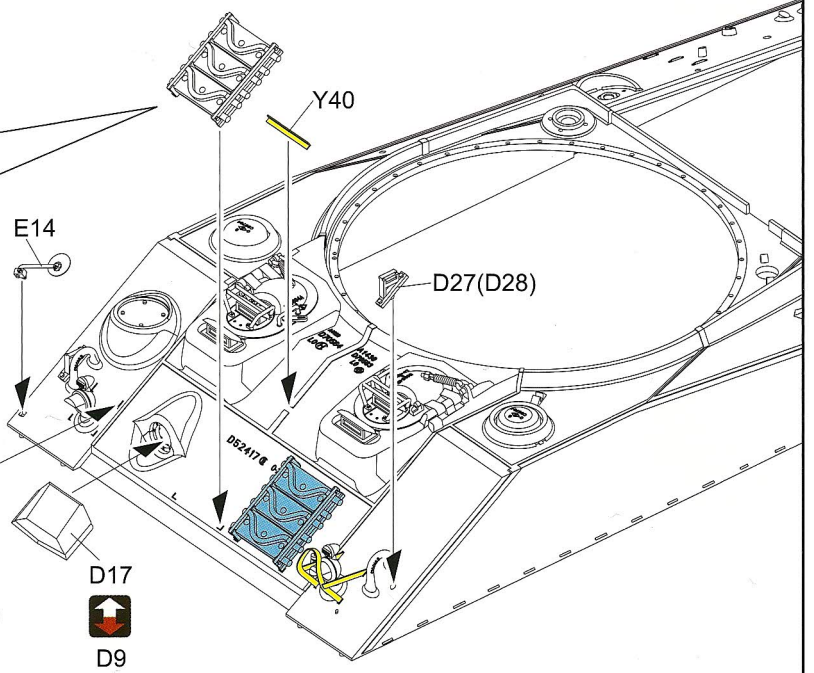
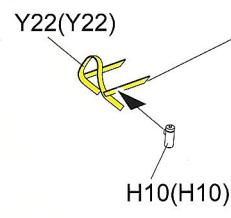
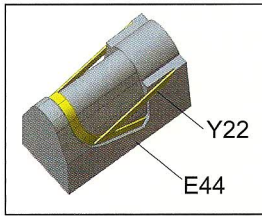
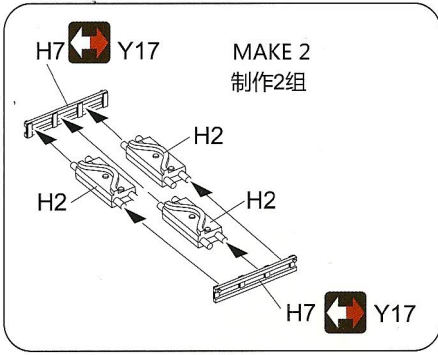


**STEP 8**

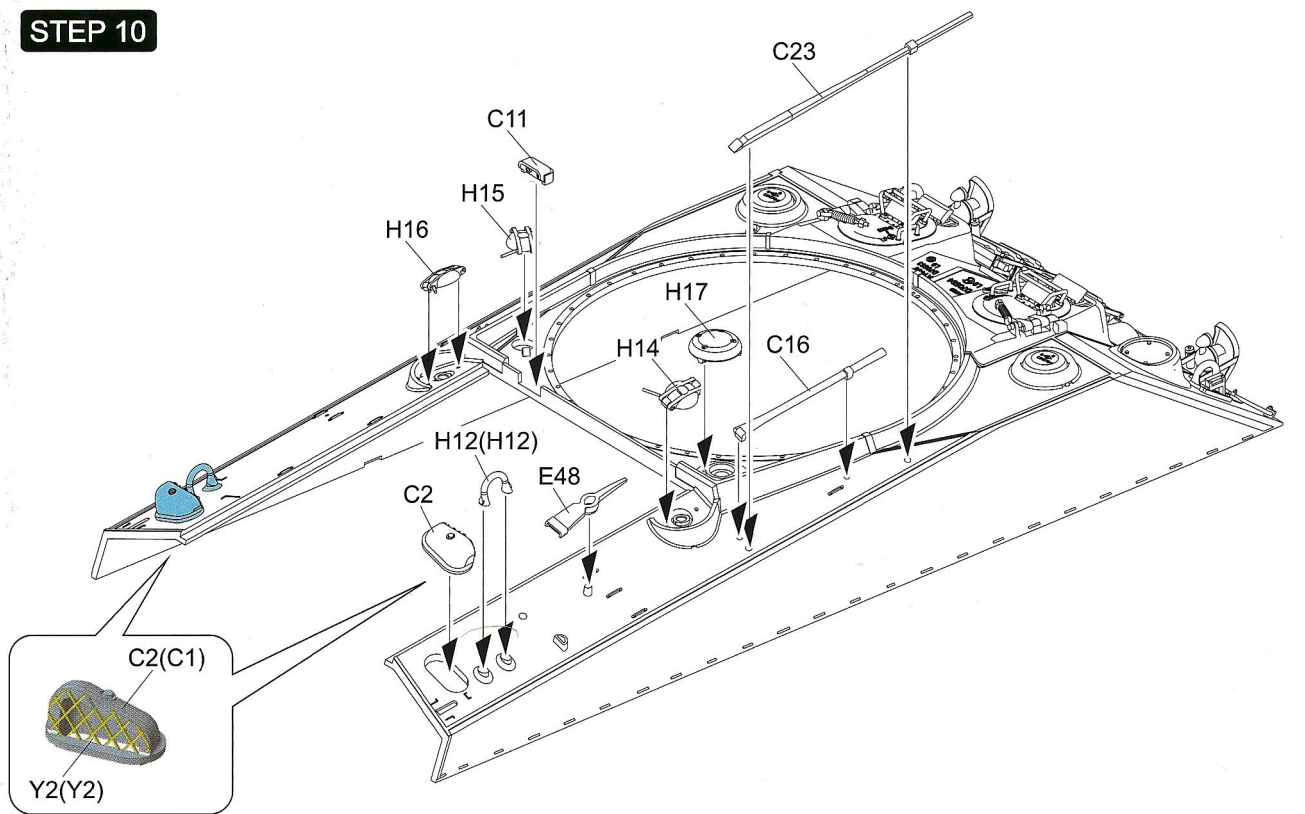




**STEP 9**

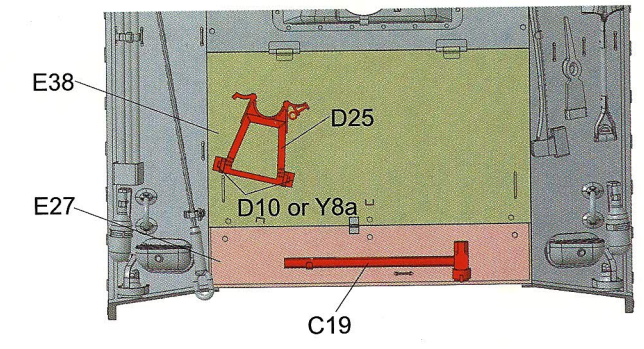
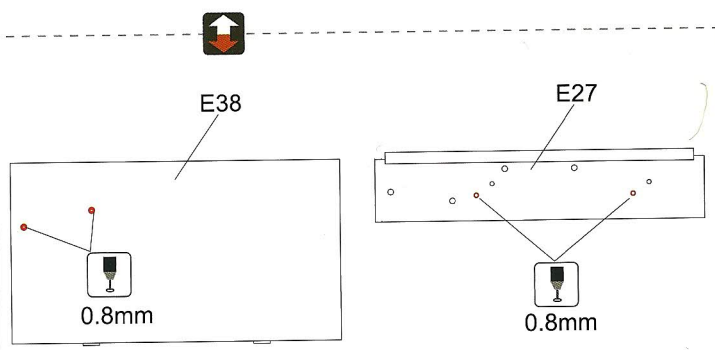
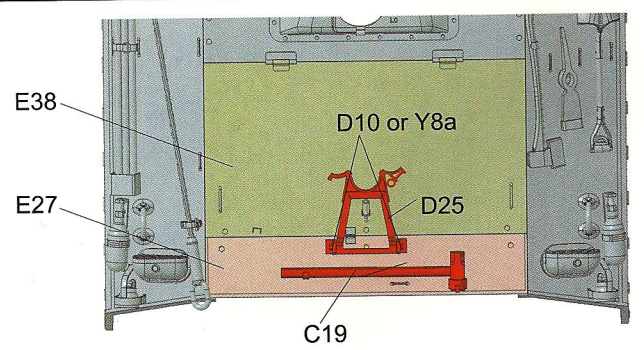
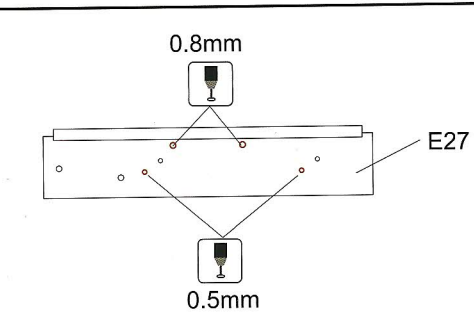
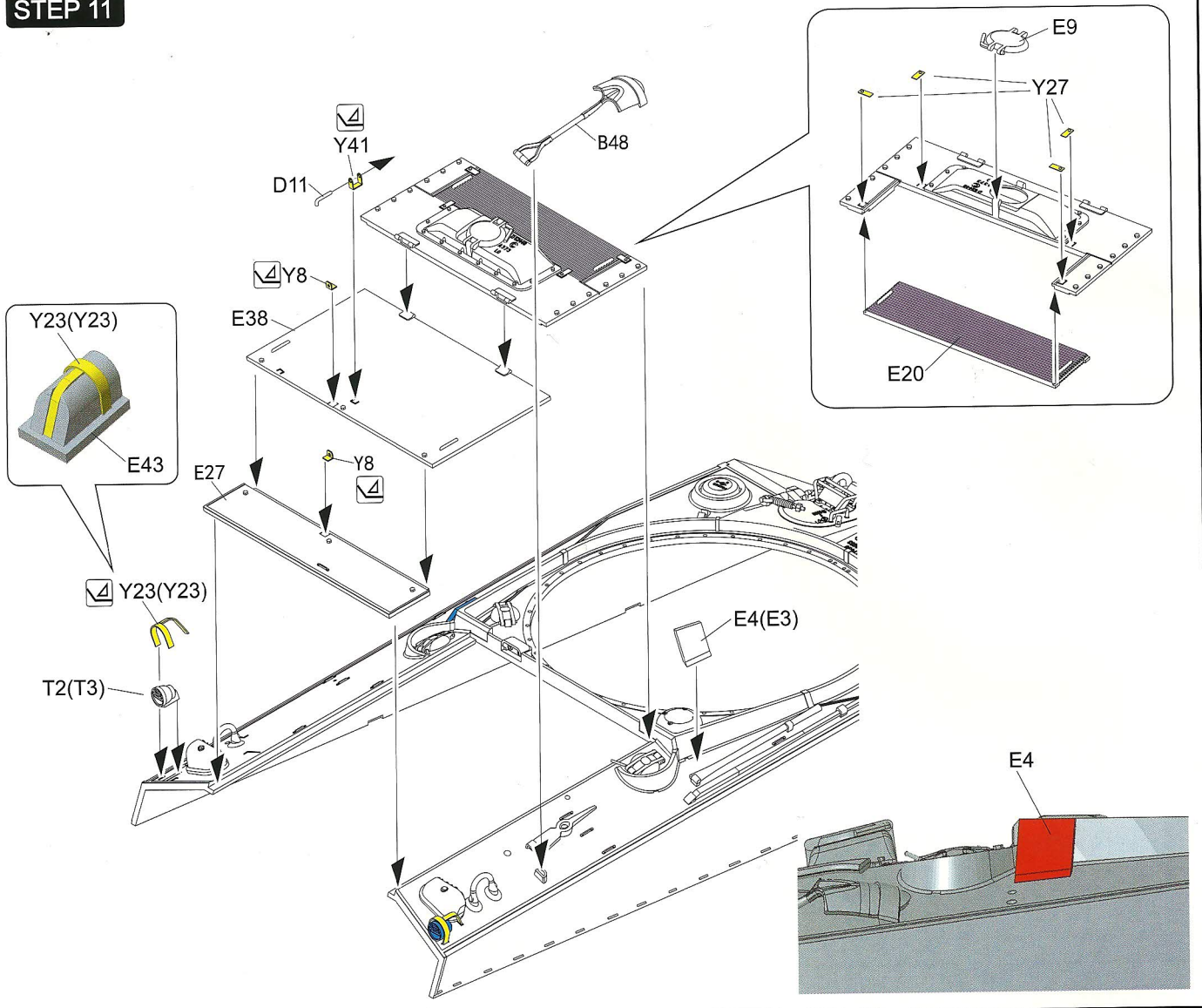


**STEP 10**



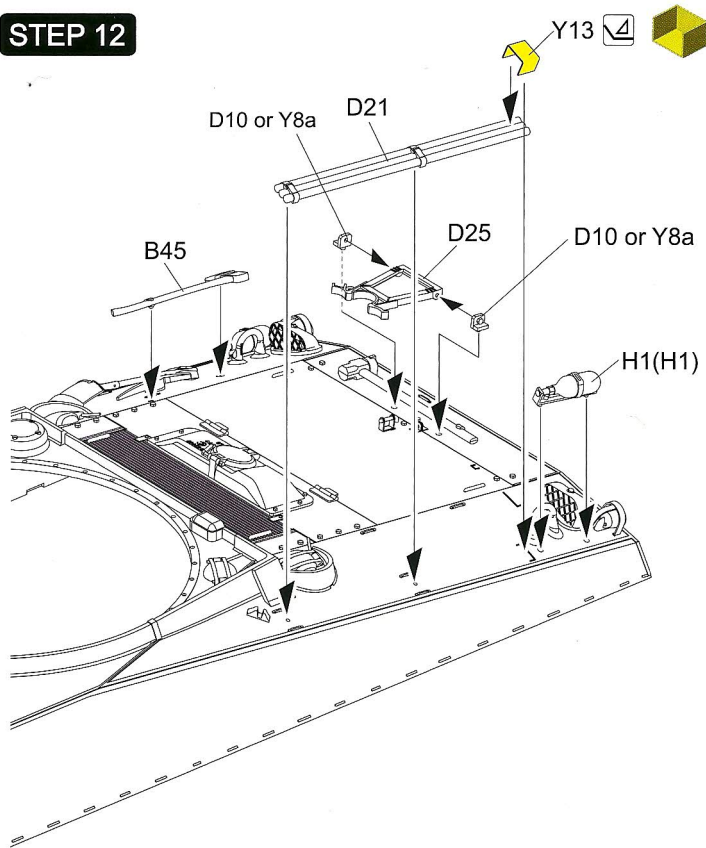


**STEP 11**

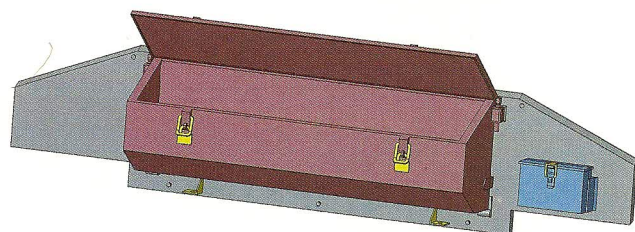
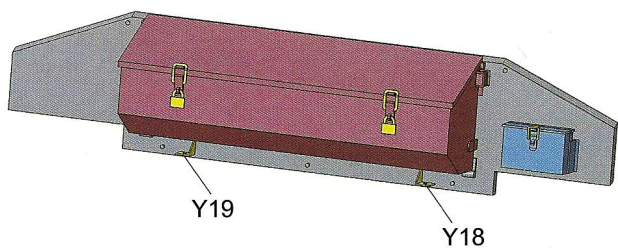
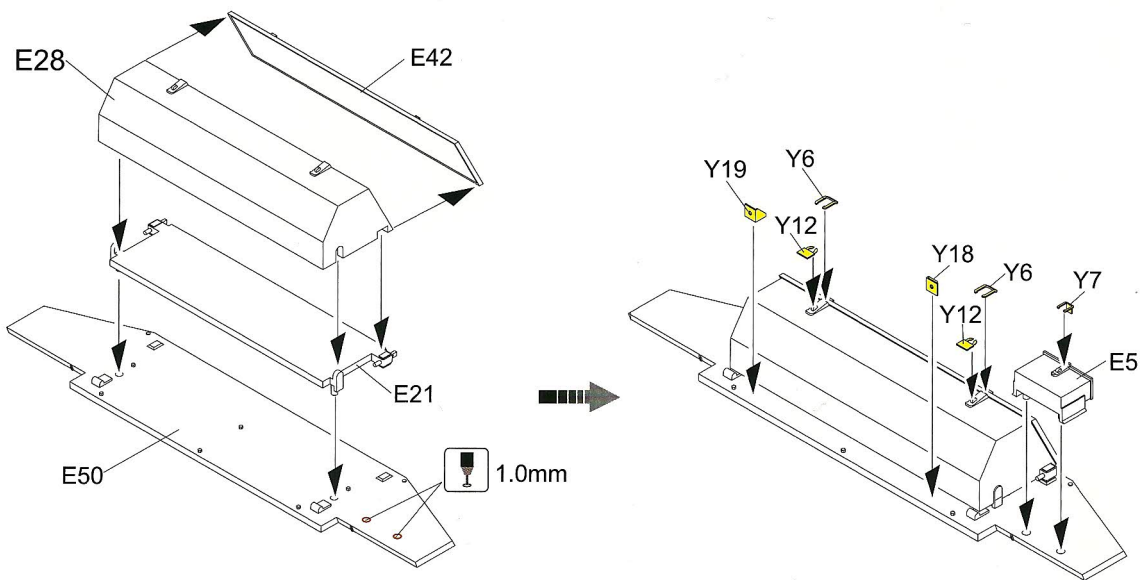




**STEP 12**

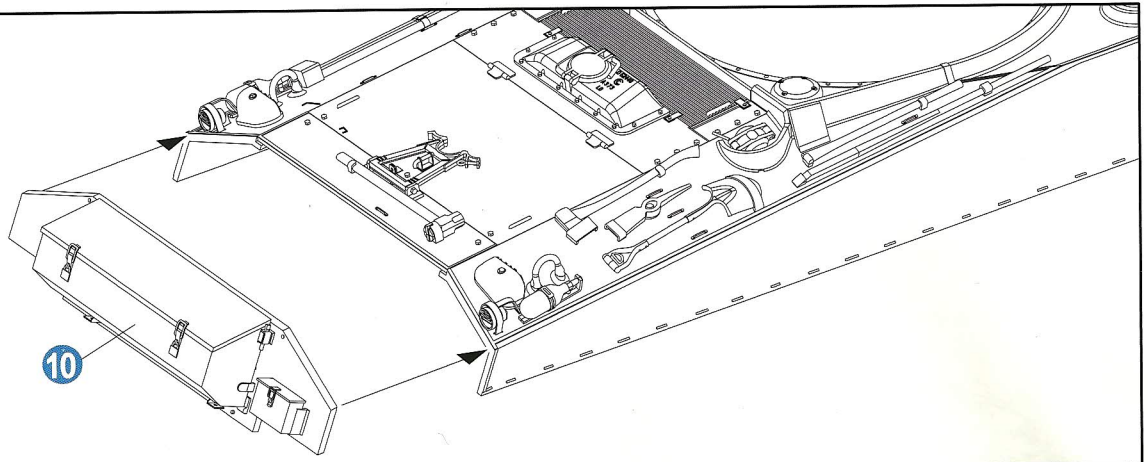


**10**

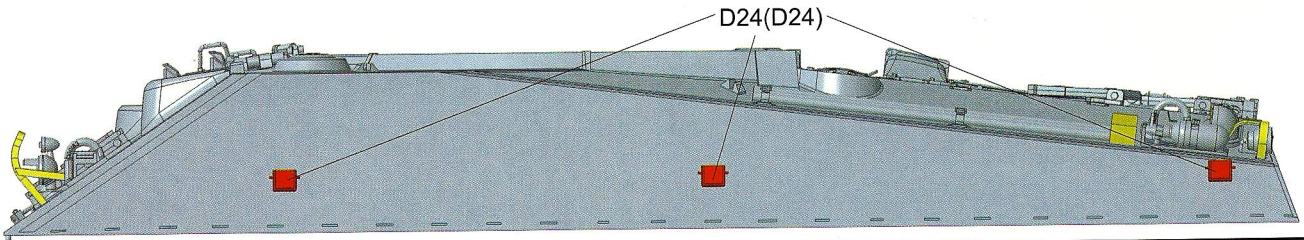
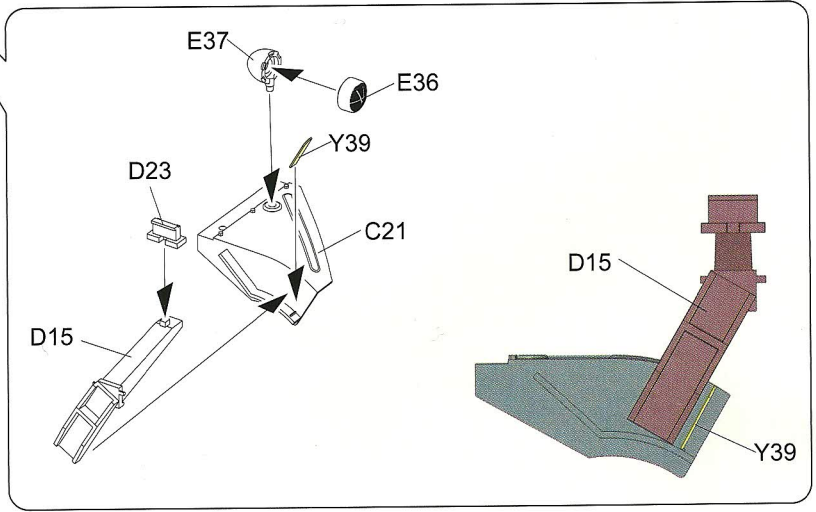
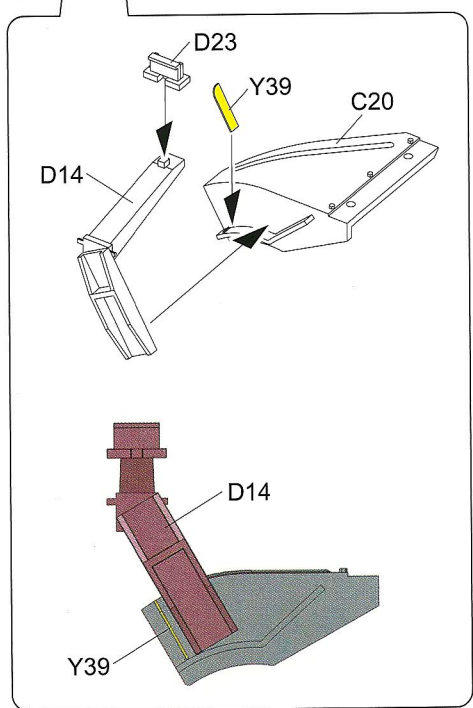
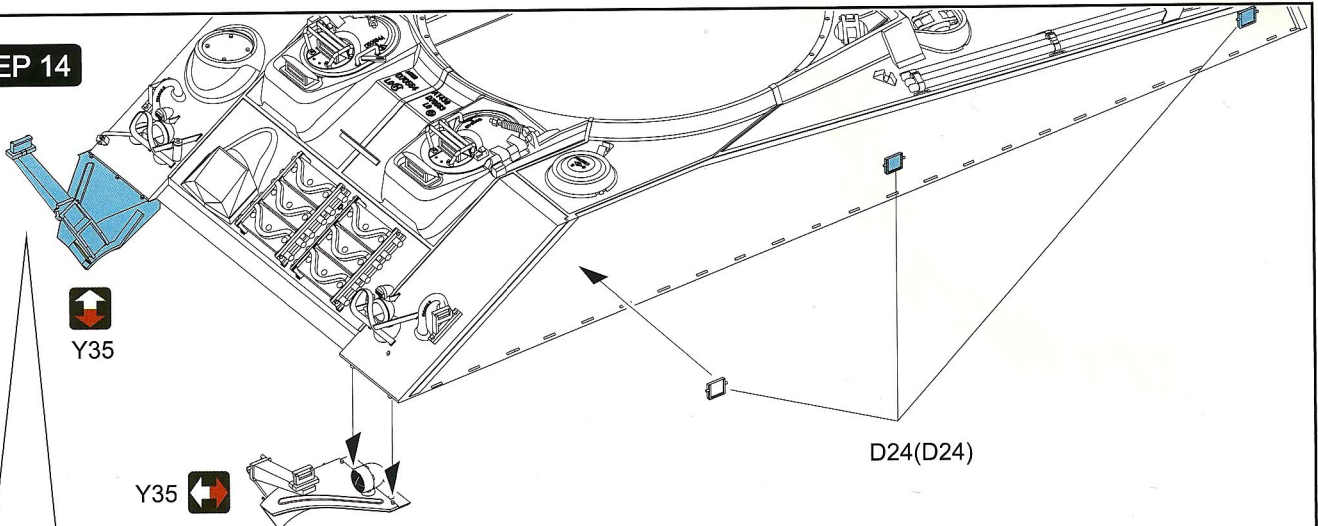


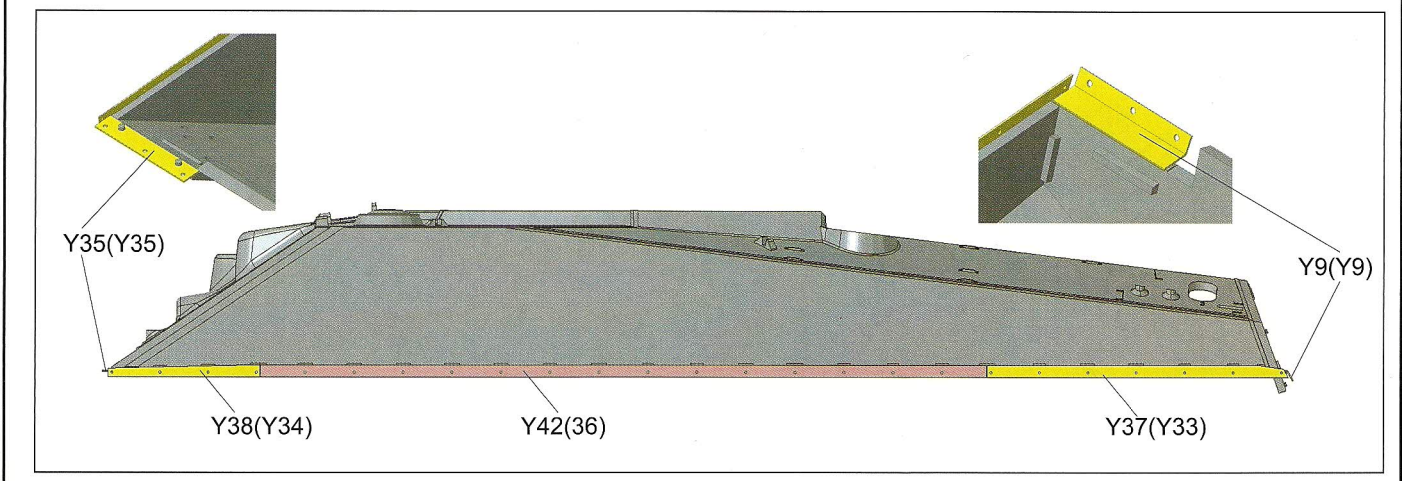
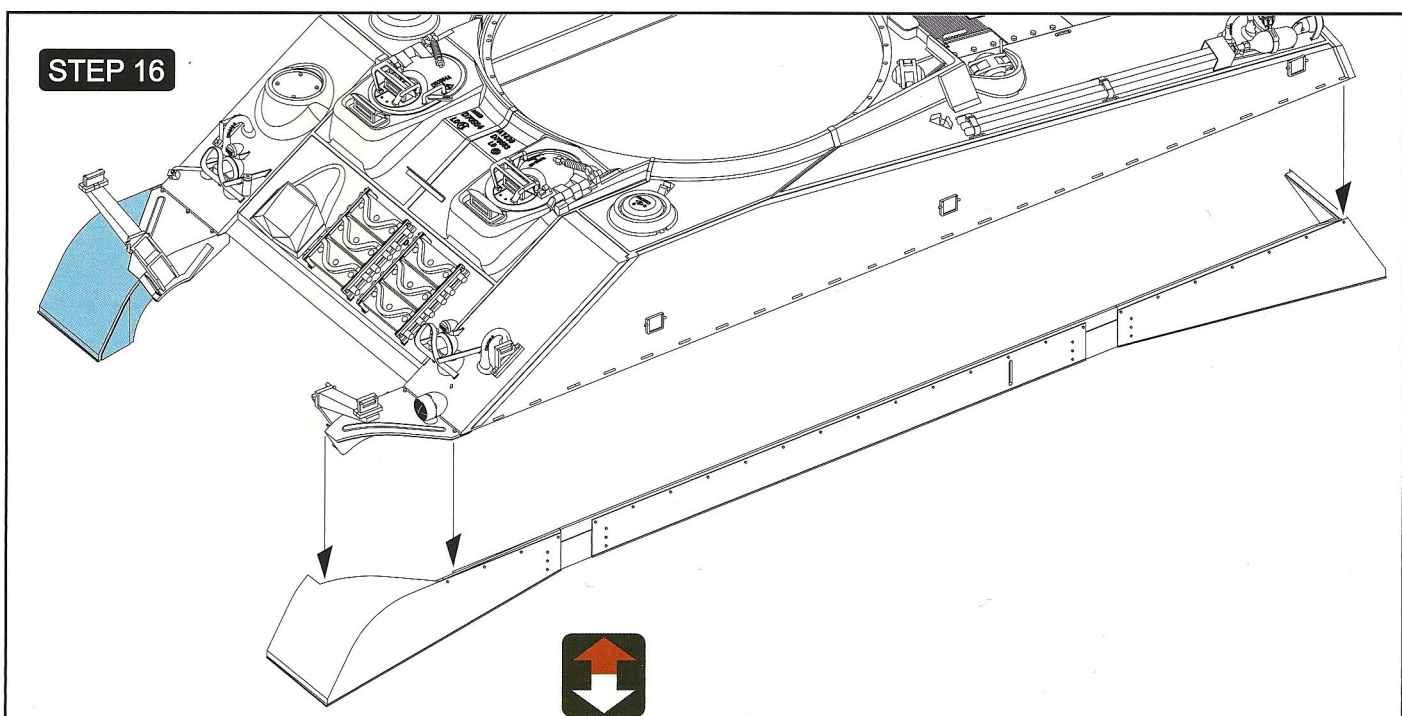
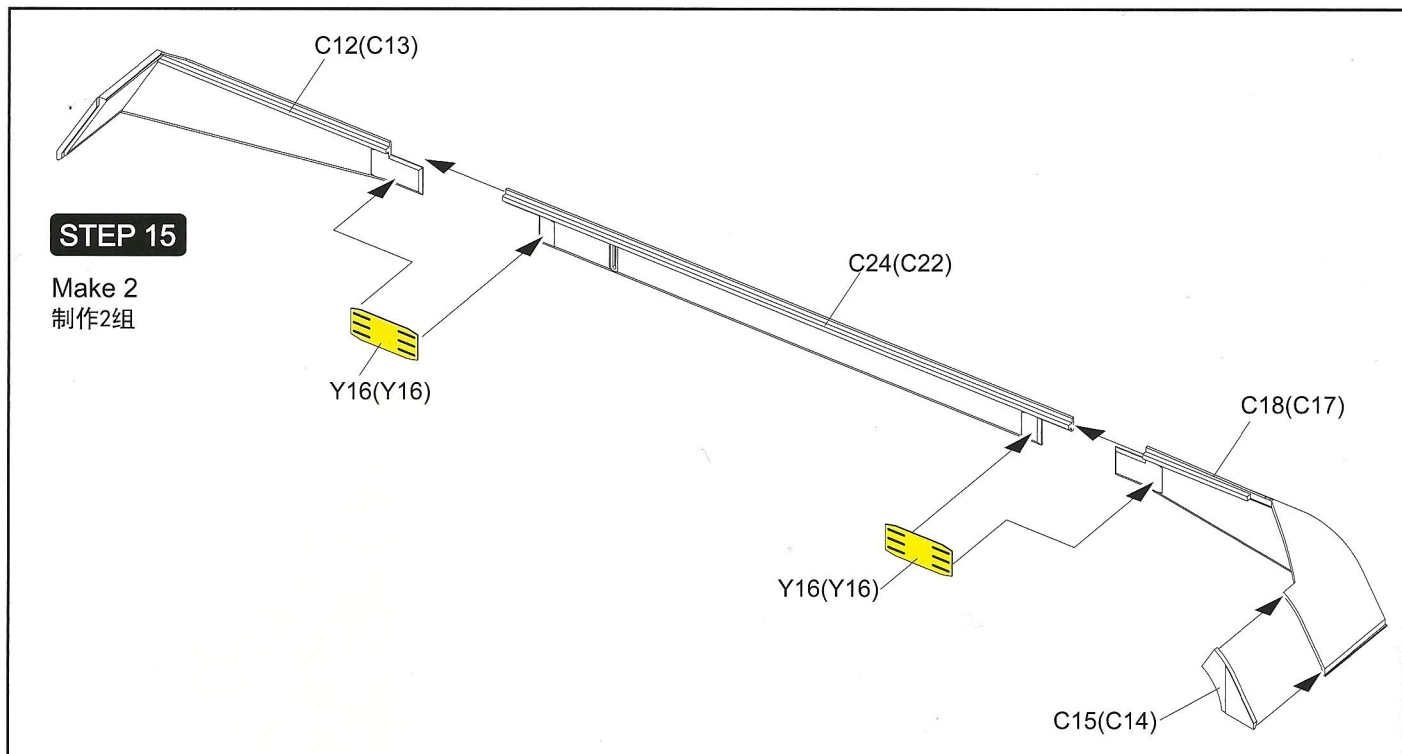


STEP 13



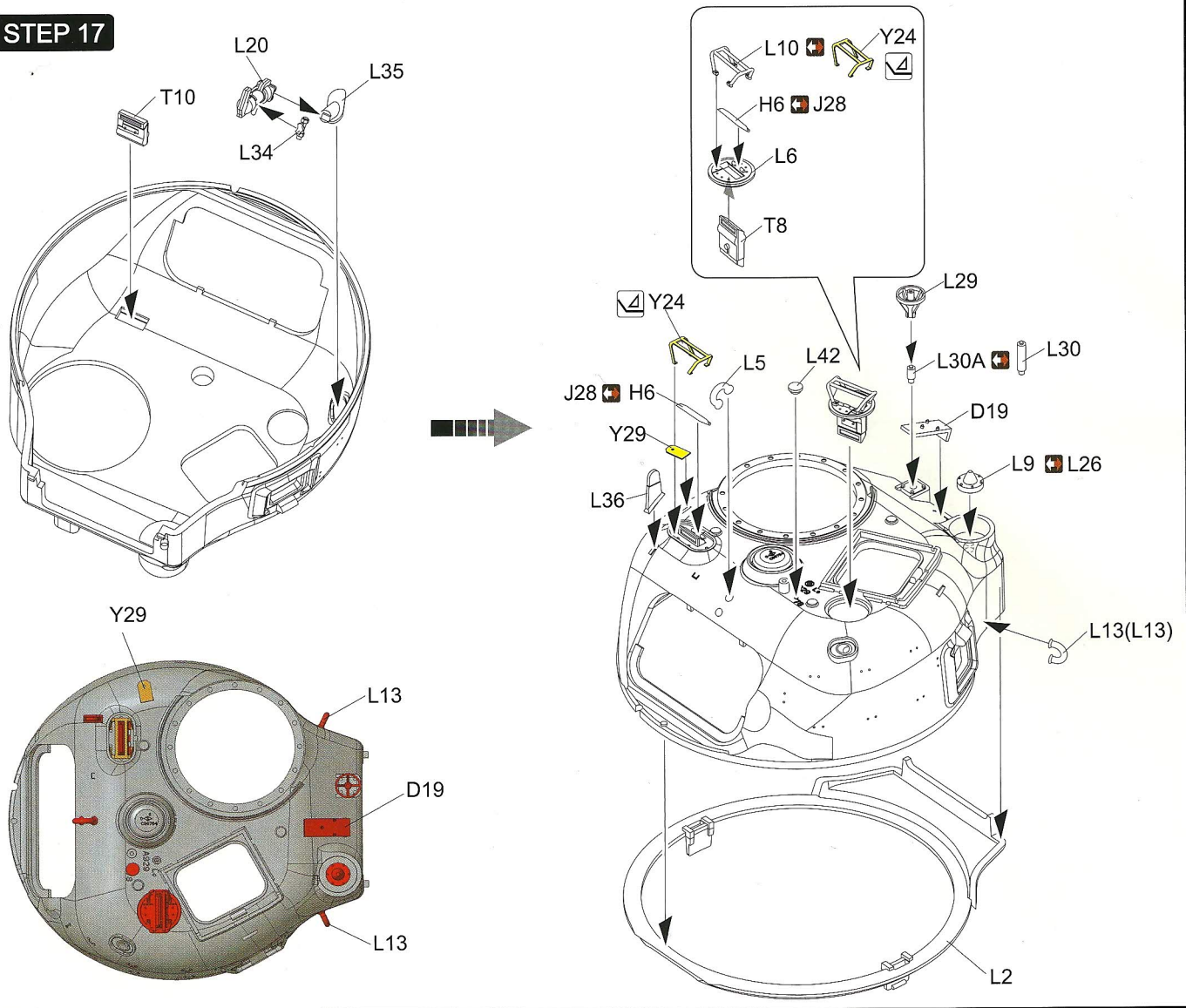
STEP 14



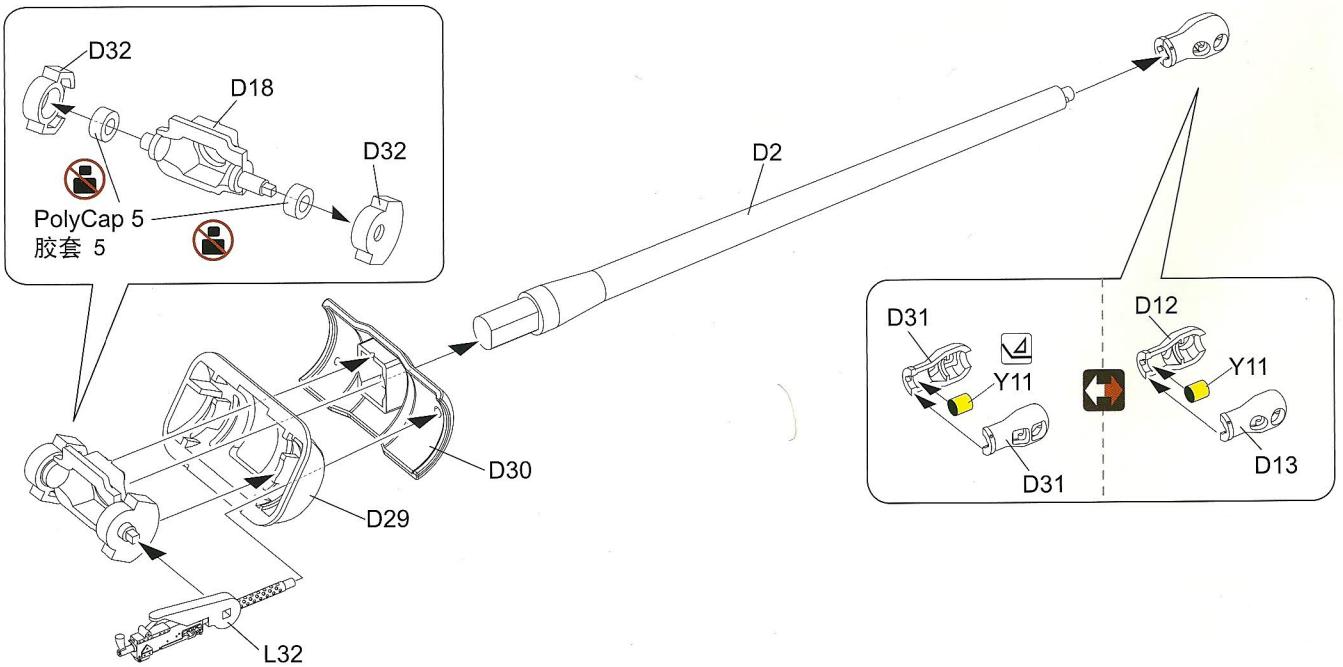


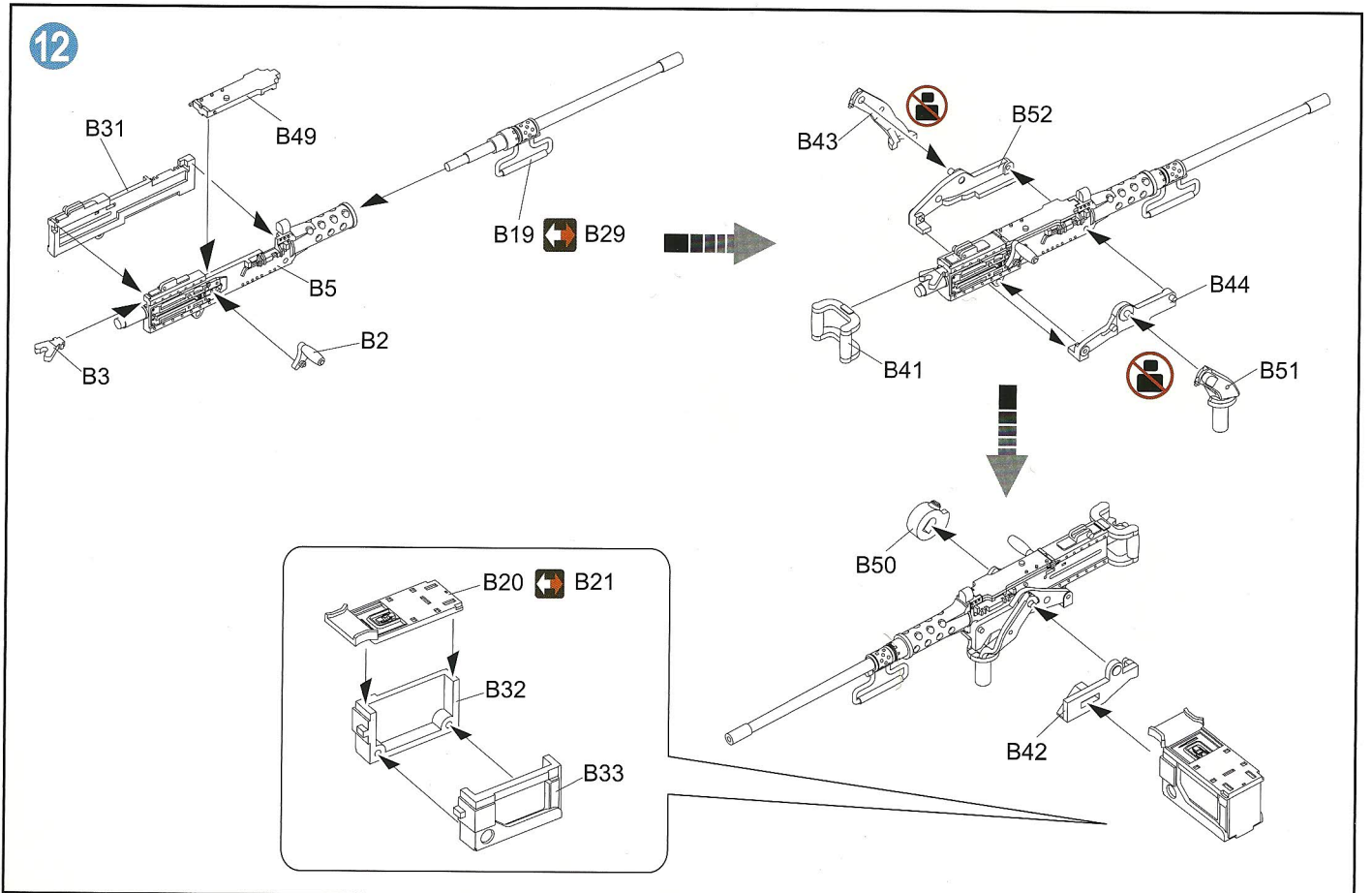
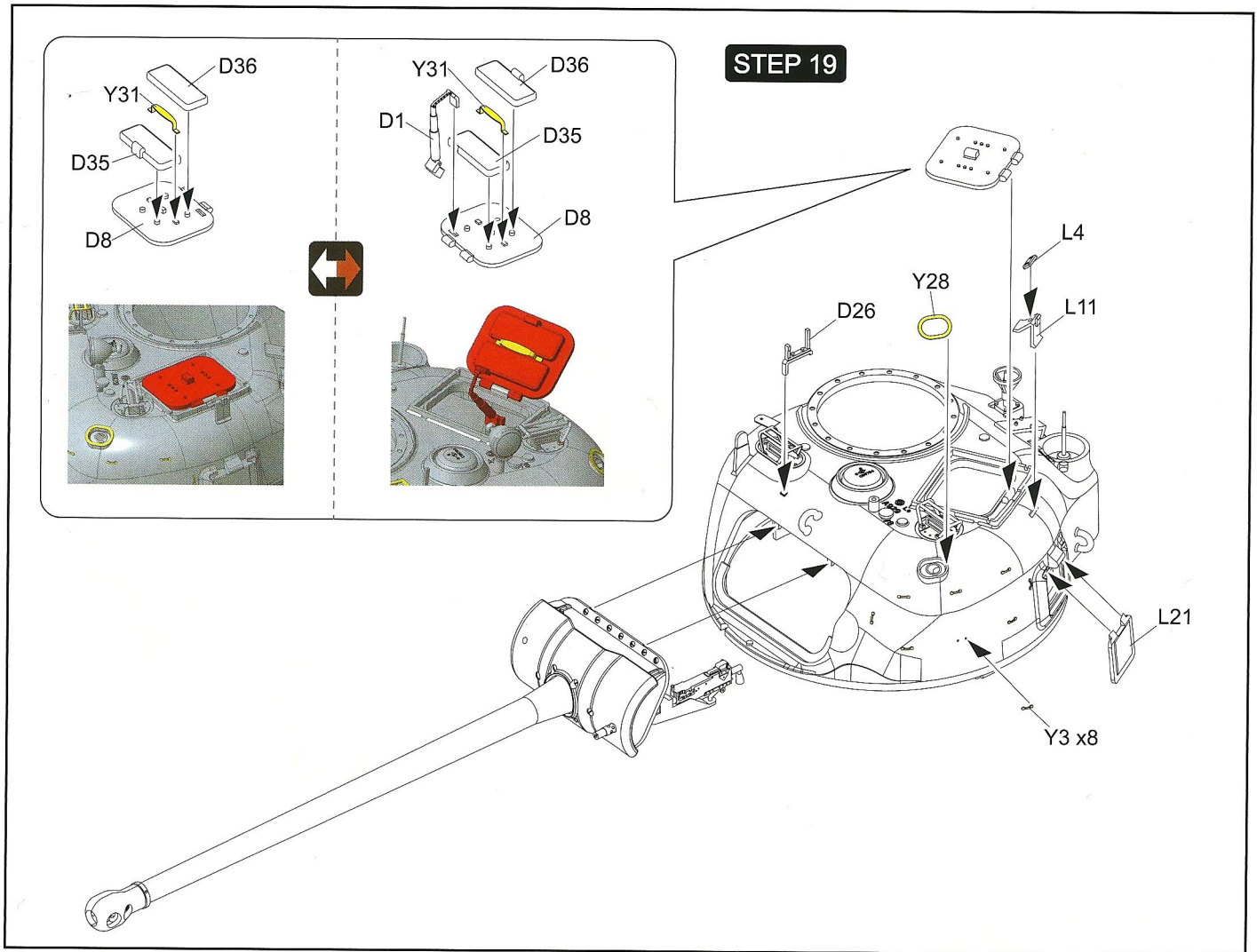


**STEP 17**

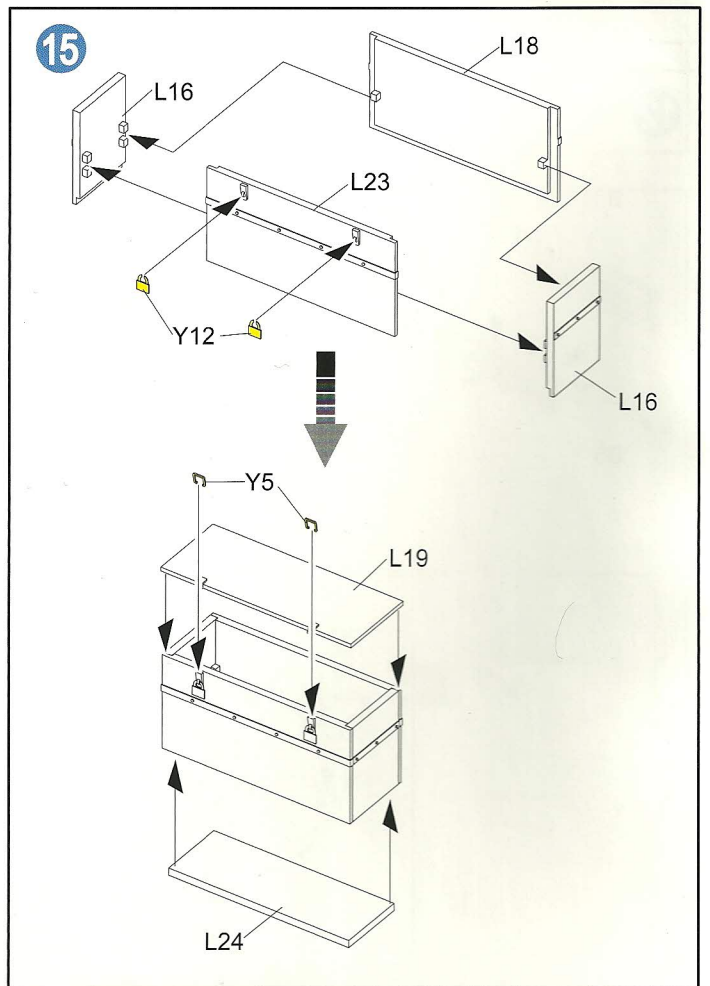
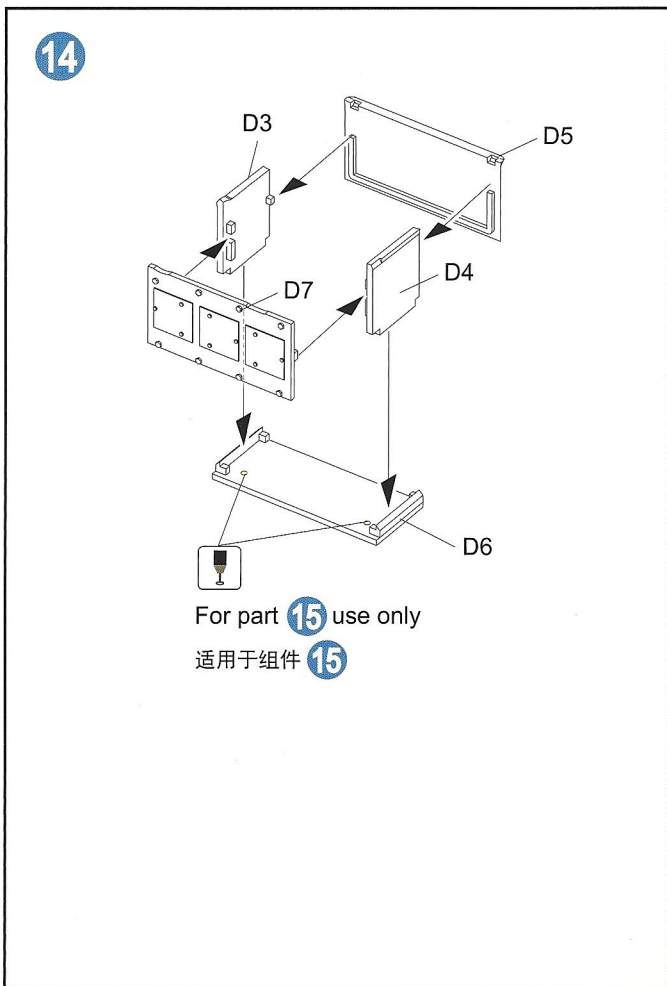
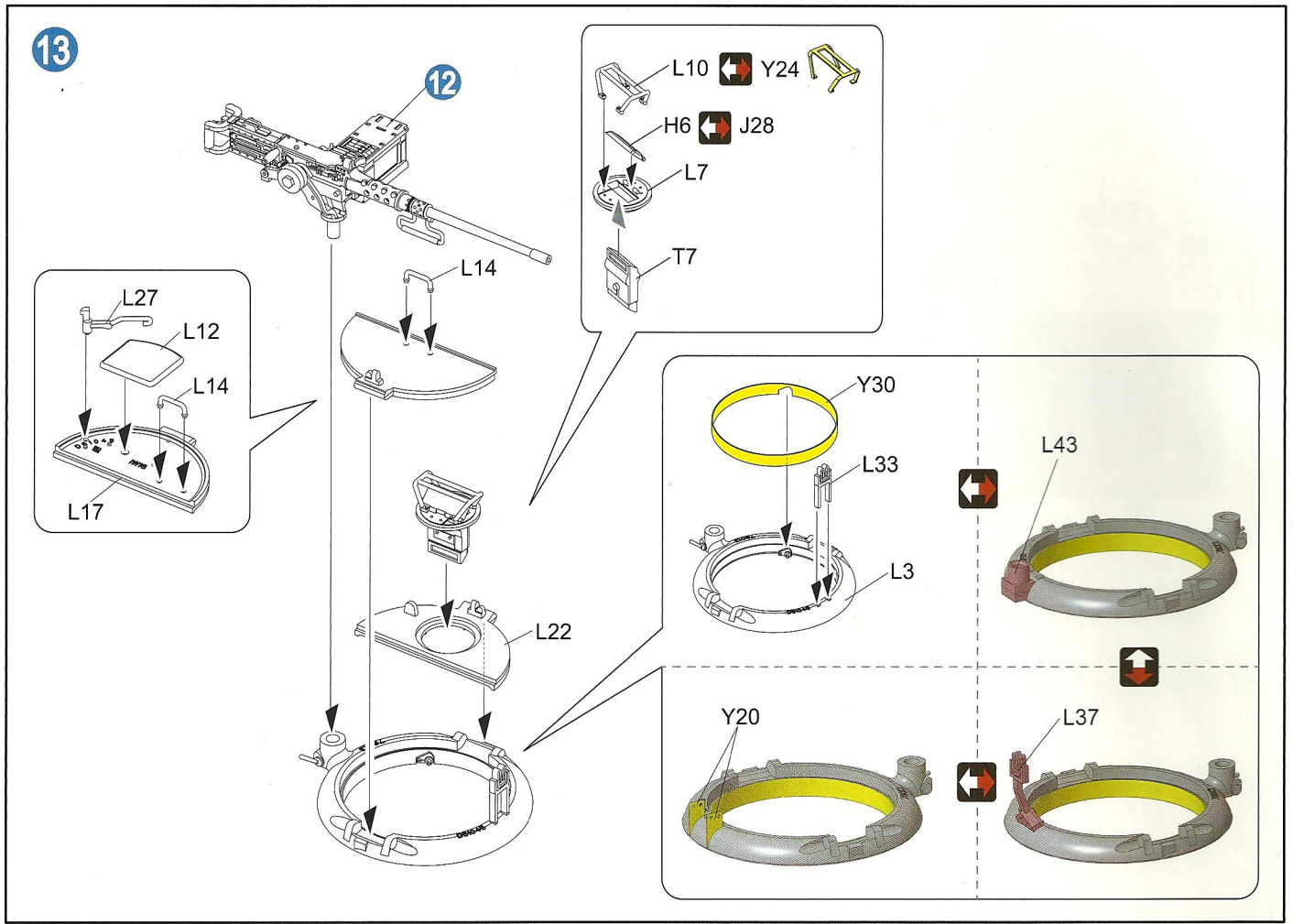


**STEP 18**

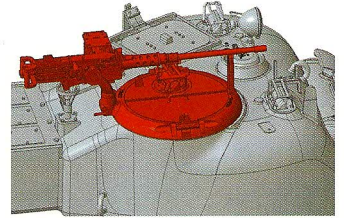
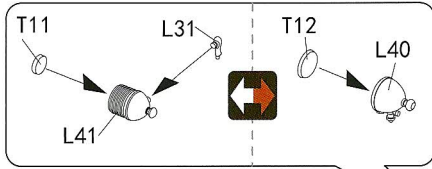




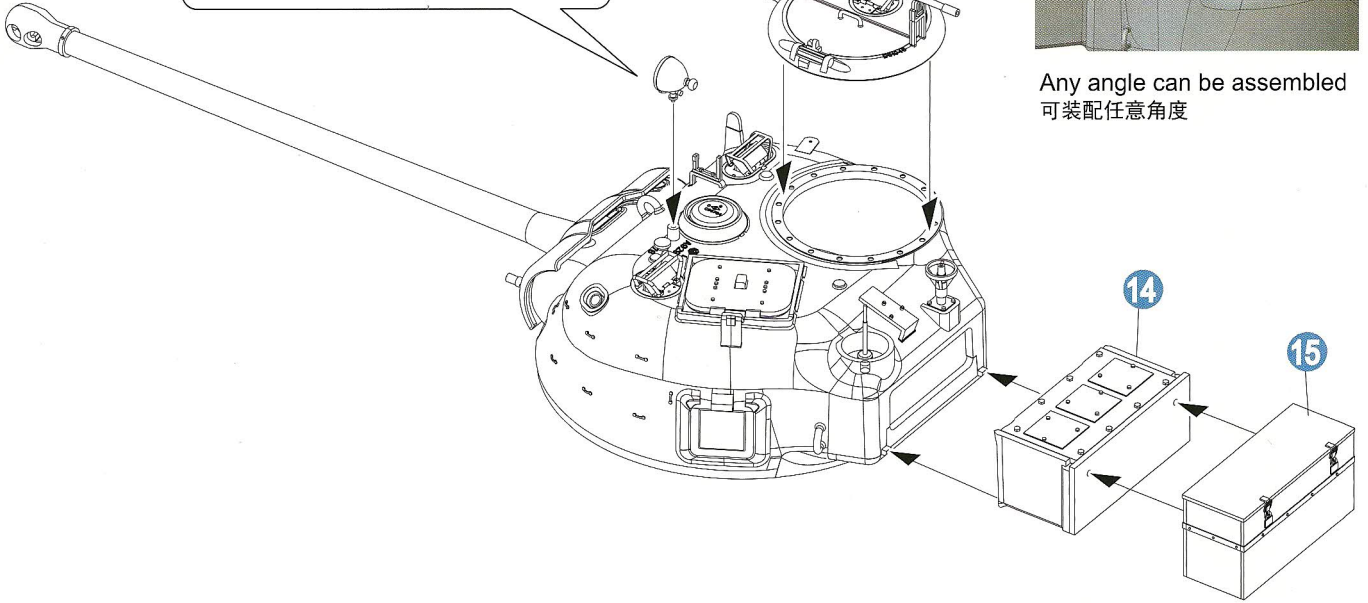




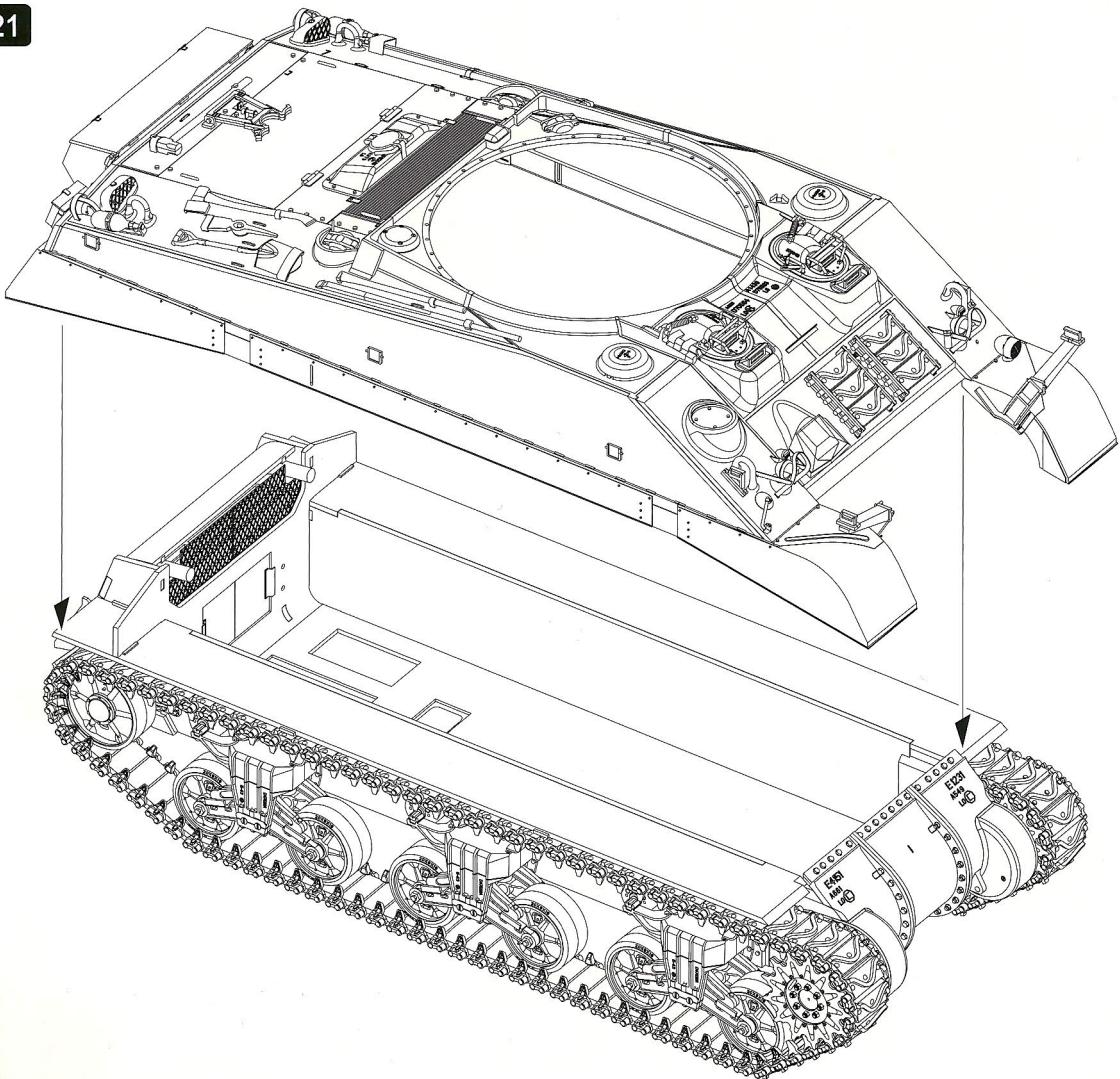
**STEP 20**



Any angle can be assembled  
可装配任意角度

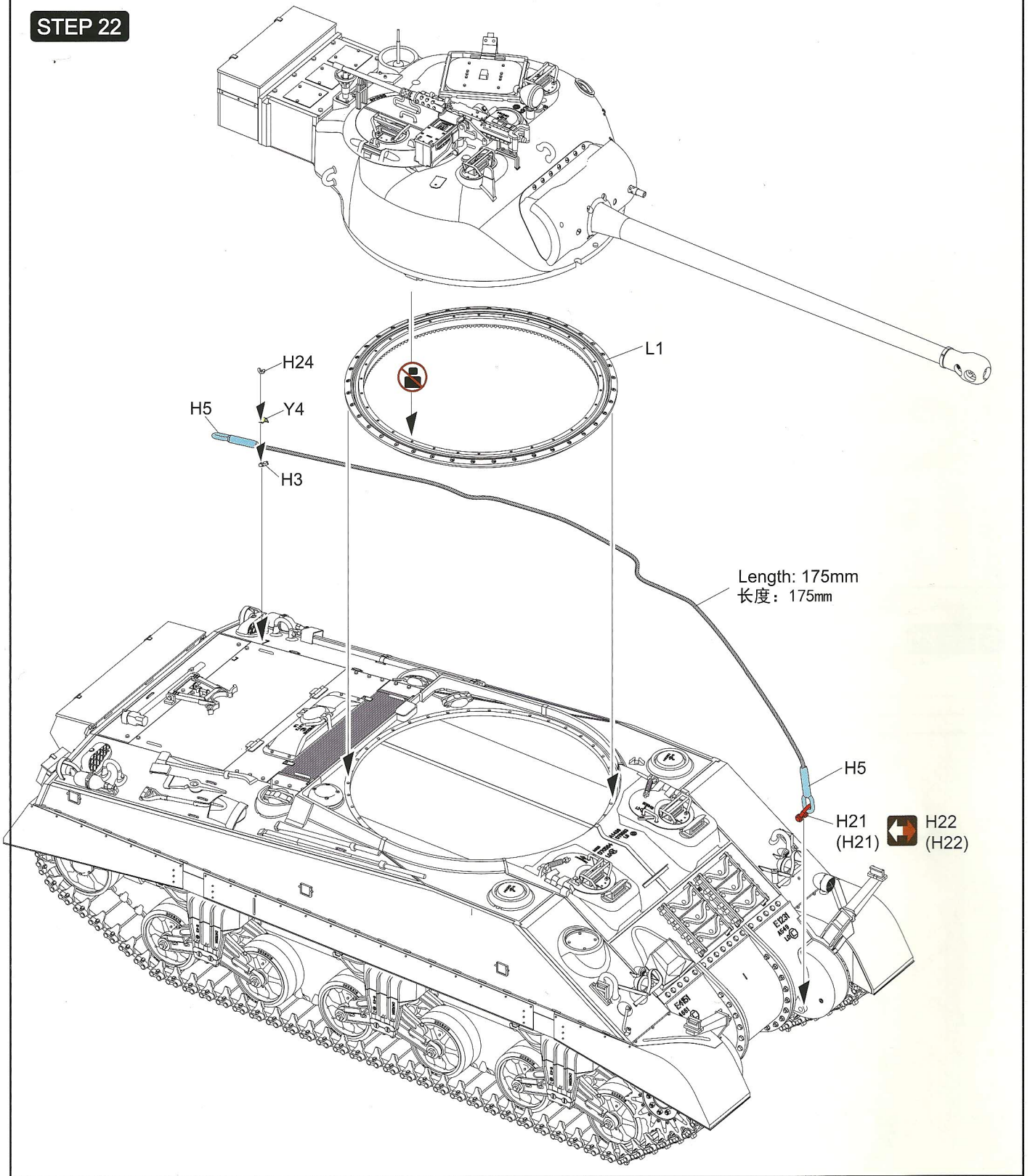


**STEP 21**





**STEP 22**



# BRITISH SHERMAN VC

# FIREFLY

© RYEFIELD MODEL MADE IN CHINA

**RFM**  
RYEFIELD MODEL®

香港麦田模型玩具有限公司

1/35 SCALE  
**5038**  
Military Miniature Series



WEBSITE



FACE BOOK



微博



微信公众号