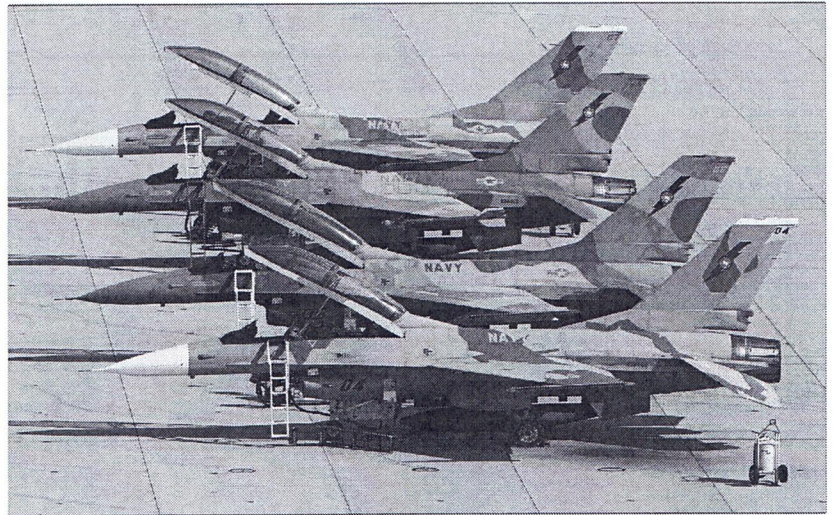


NSAWC ADVERSARY

F-16A/B

F-16A/B アドバーサリー
【海軍攻撃航空戦センター/トツブガン】



1/48 F-16A/B NSAWC Adversary

The NSAWC (Naval Strike and Air Warfare Center) was formed from the consolidation of Strike U (Naval Strike Warfare Centre), TopGun (Naval Fighter Weapons School) and TopDome (Carrier Airborne Early Warning Weapons School) in 1996. It is the primary authority responsible for naval aviation training and tactics development throughout the U.S. Navy by providing flight lessons, academic programs and other supports.

The F-16A/Bs, originally sold to the Pakistani Air Force in 1989, were embargoed by the U.S. in 1990 and stored at Davis-Monthan AFB (AMARC) for years. Starting from 2002, they were reintroduced to the NSAWC as high-performance aggressor aircraft to conduct Dissimilar Air Combat Training (DACT) missions.

Much like their F-16N predecessors, the NSAWC F-16A/Bs were painted in special color schemes to simulate enemy aircraft such as Sukhoi fighters (naval blue) and combat aircraft in the Middle East (desert camouflage). During training missions, each F-16A/B would carry an Air Combat Maneuvering Instrumentation (ACMI) pod which allows transmission of in-flight data to the ground station for analysis.



Drill



Remove



2 Set



Bend



Optional



Decal



Super Glue



Fill Hole



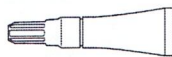
No Cement



Ballast

Tools Recommended 使用する工具

Cement

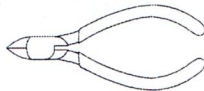


Tweezers

Modeling Knife



Side Cutter



AFTERMARKET SERVICES CARD

When requesting replacement parts, please take or send this form to your local dealer so that the parts required can be correctly identified. Please note that specifications and availability are subject to change without notice.

For more information, please contact services@kineticmodel.com or visit <http://www.kineticmodel.com> for latest information.

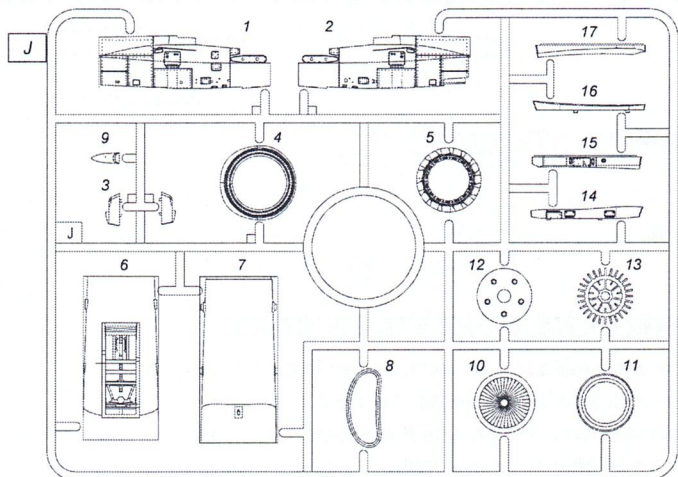
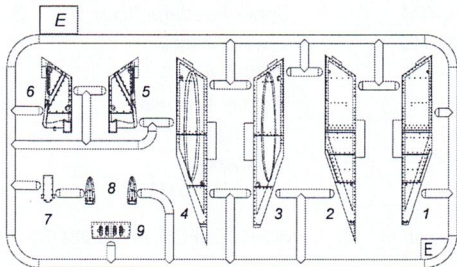
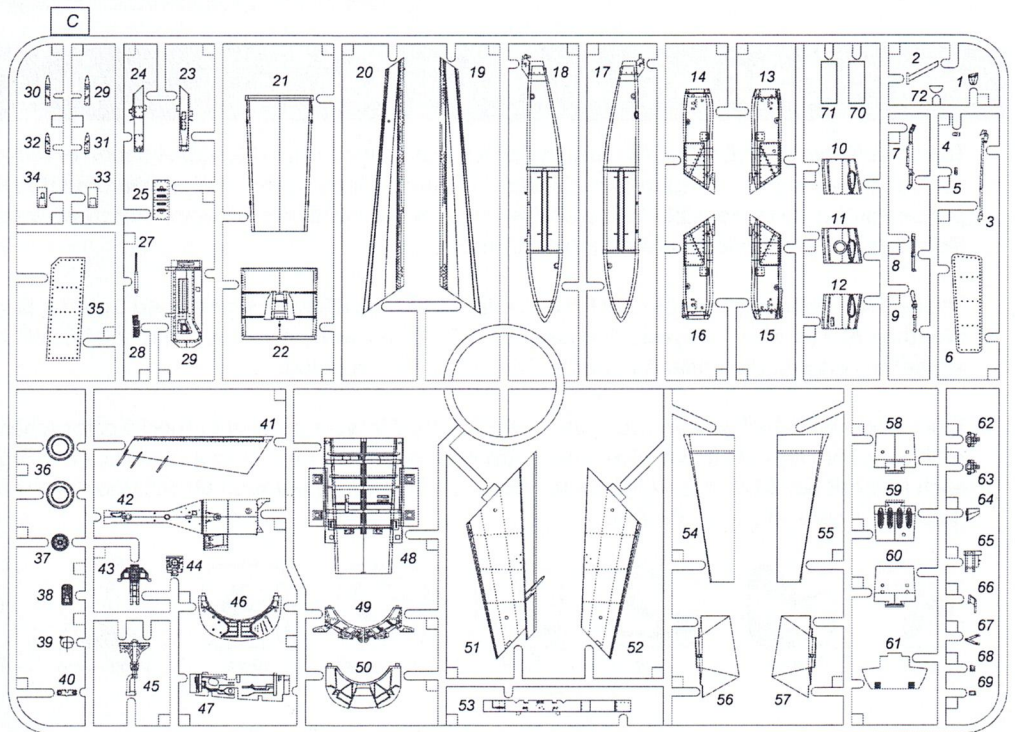
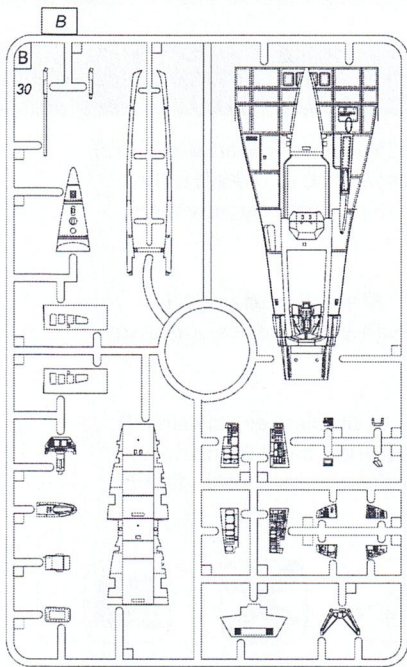
Parts No.	Item	48036
00-100-011	A	Main fuselage
00-100-013	C	Fueslage parts
00-100-014	D	Fuel tank Wings parts
00-100-021	M	Weapon Sprue
00-100-022	Z	Clear parts
00-100-038		Canopy
00-100-033		Upper Fueslage Back
00-100-040		Lower Fuselage
00-100-023	PS	PIDS Plyon
00-100-015	E	Vertical Tail base
00-100-017	G	Landing Gear
00-100-020	J	NSI intake
00-100-025	BB	ALQ-184 ECM POD
00-100-049	E	ALQ-188
00-100-050	F	AQ-POD (FOR AGRESSOR)
00-100-035		Nose
01-100-48004		DECAL
03-100-48004		MANUAL

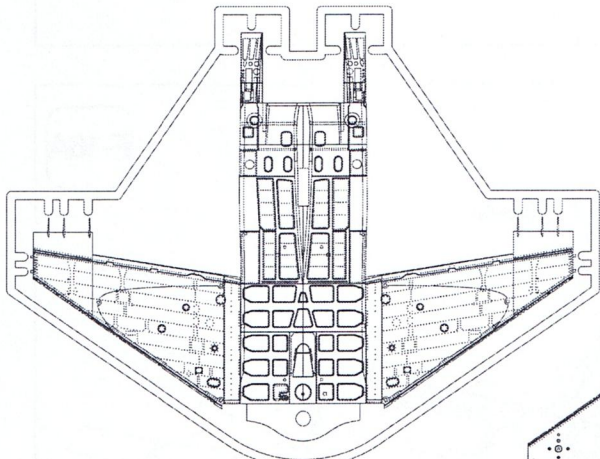
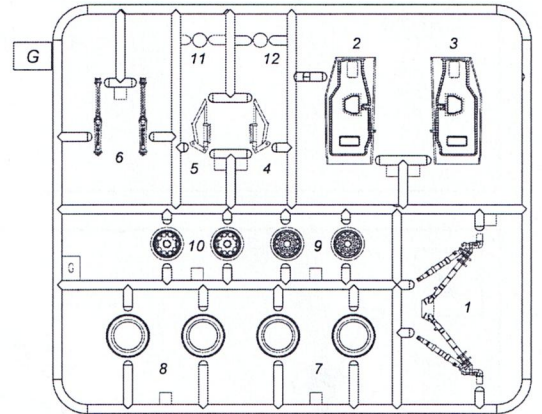
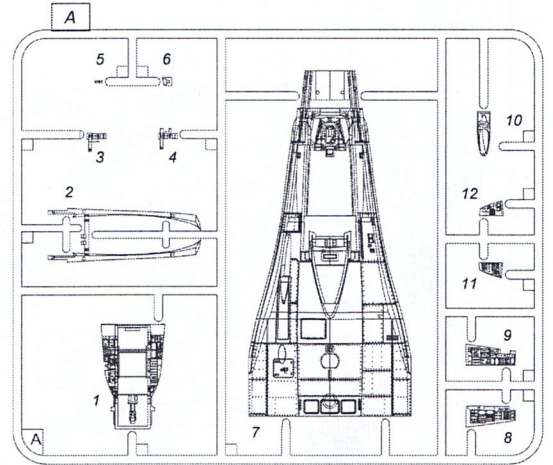
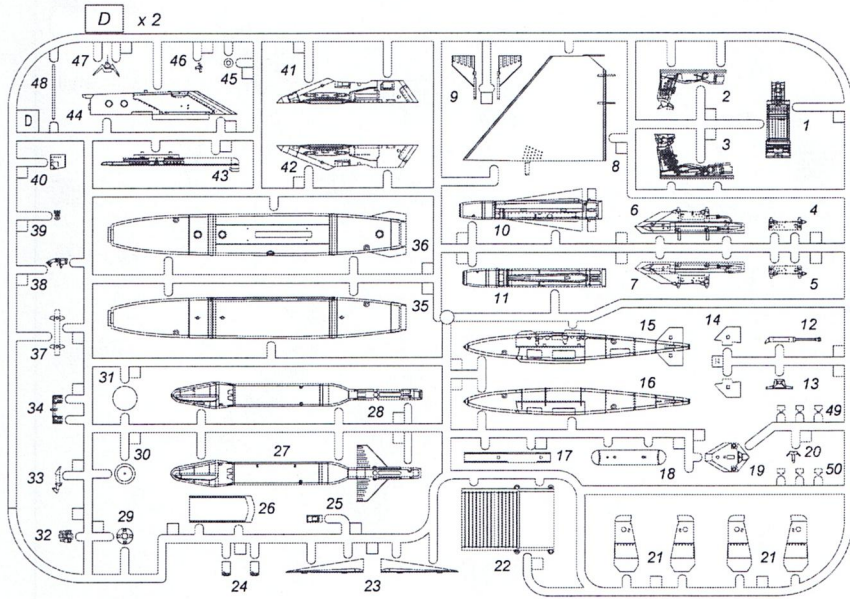
1/48 SCALE AIRCRAFT SERIES NO.04 - F-16A/B NSAWC Adversary

CAUTION

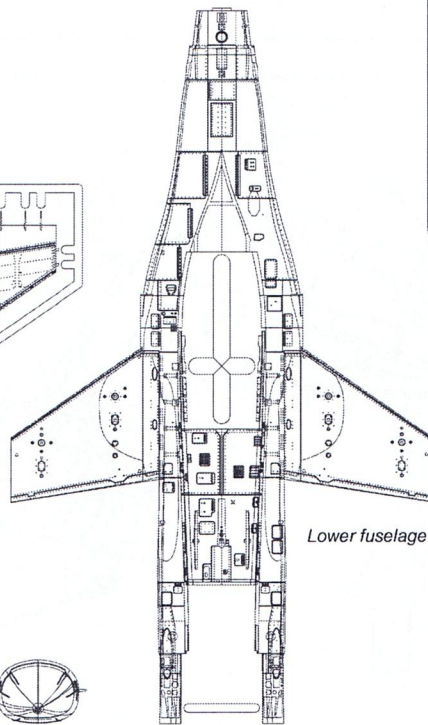
- *Read carefully and fully understand the instructions before commencing assembly.
- *Adult supervisor should also read the intructions when assembled by children aged 14 or younger.
- *Keep out of reach of small children. Children must not be allowed to put any parts in their mouth, or pull vinyl bag over their heads.
- *When using adhesives and paints, please make sure not to use them in closed room or near the fire.
- *When assembling this kit, tools including knives are used. Extra care should be taken to avoid personal injury.

H Refers to Mr.Color acrylic paint number.

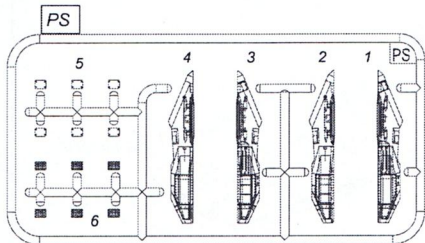
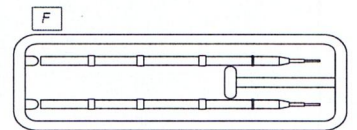
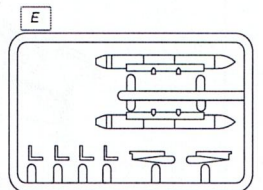




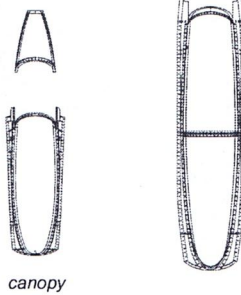
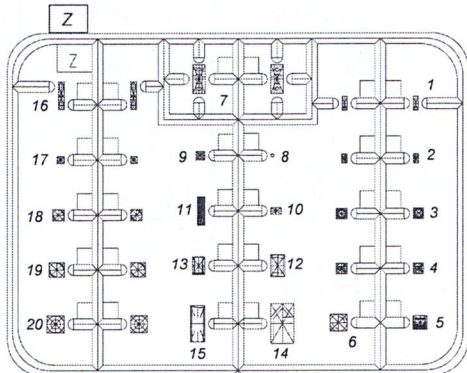
Upper fuselage



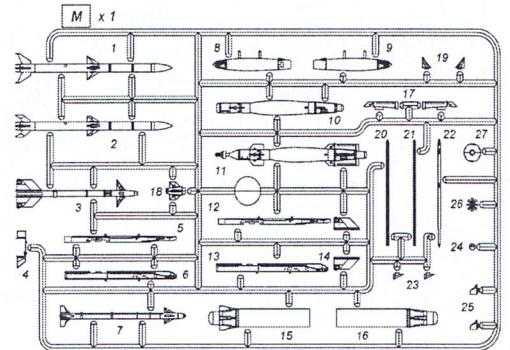
Lower fuselage



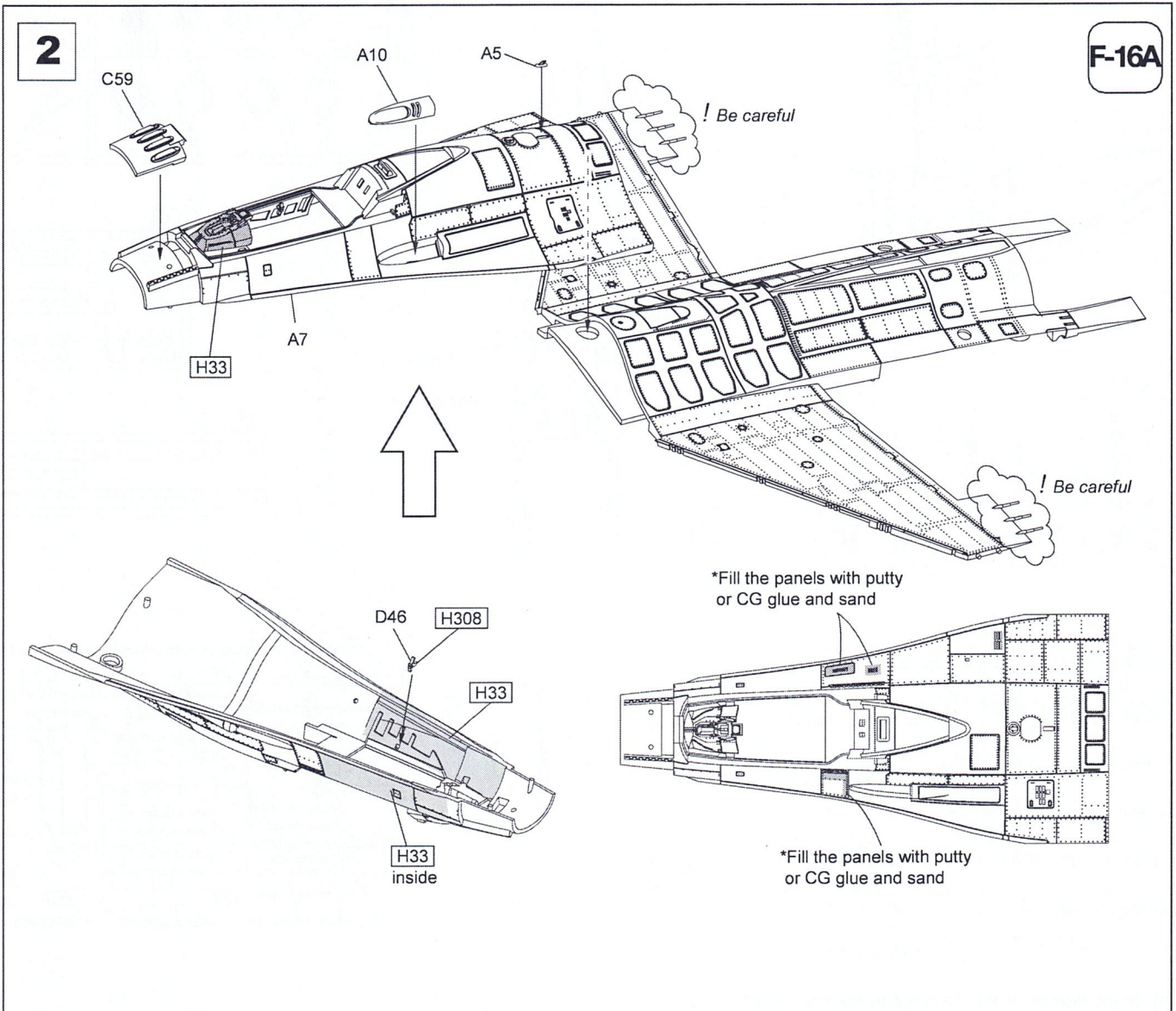
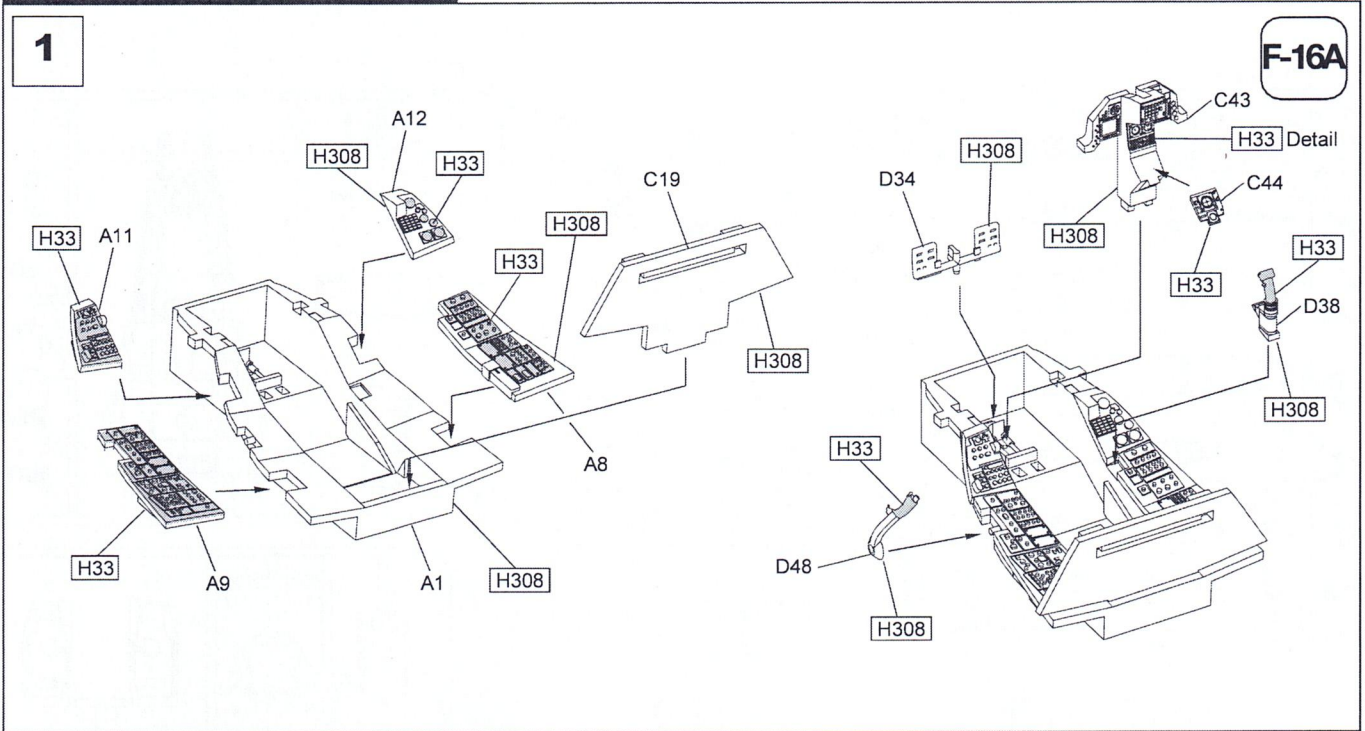
nose cone



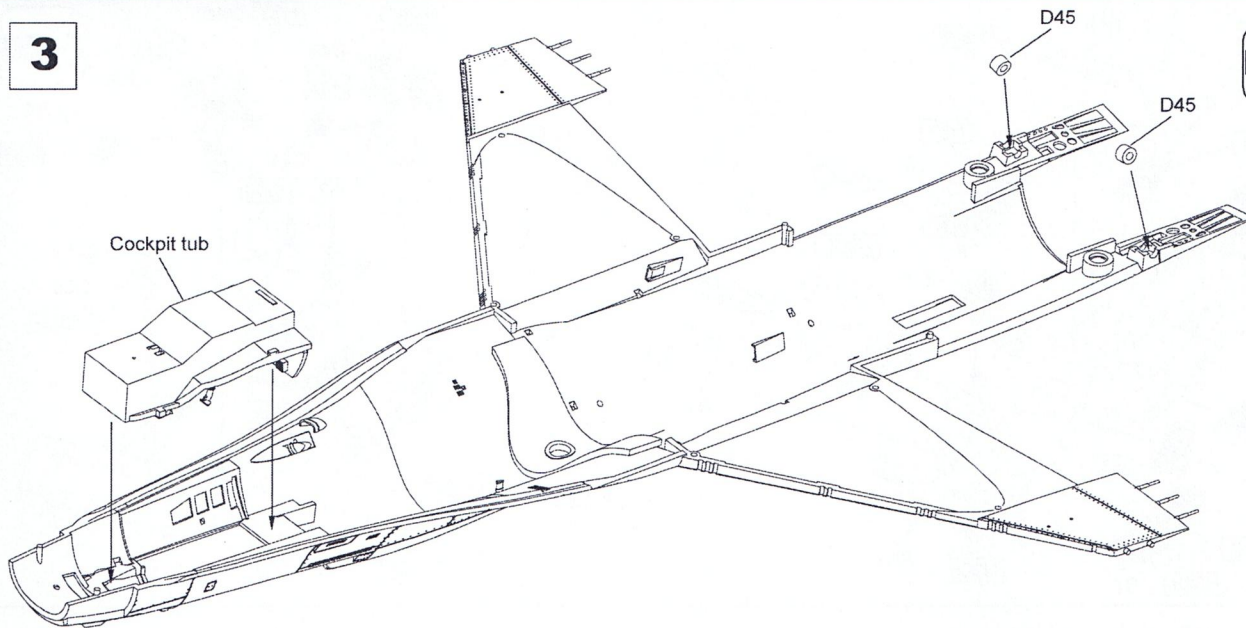
canopy



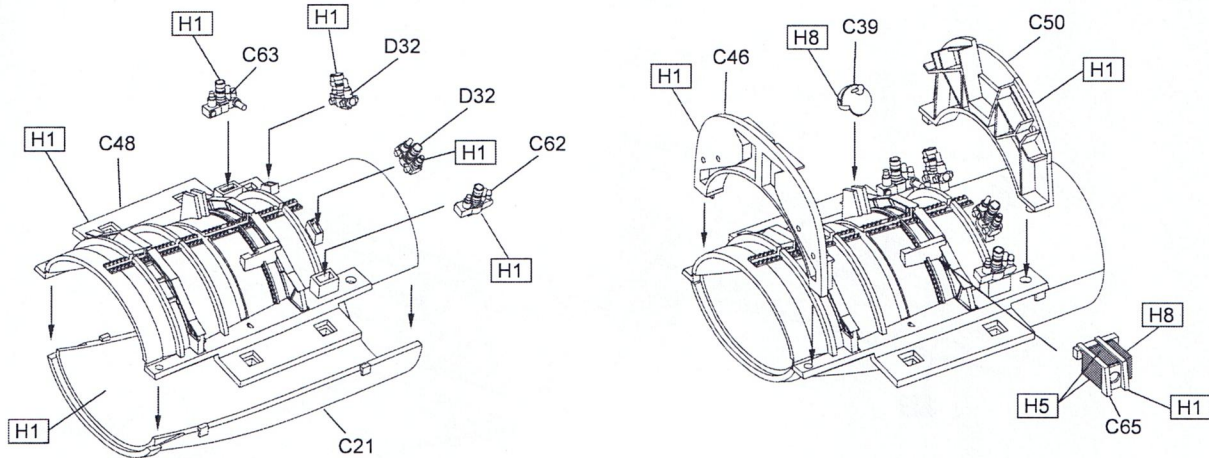
*Parts not indicate in the construction are not used for this kit.



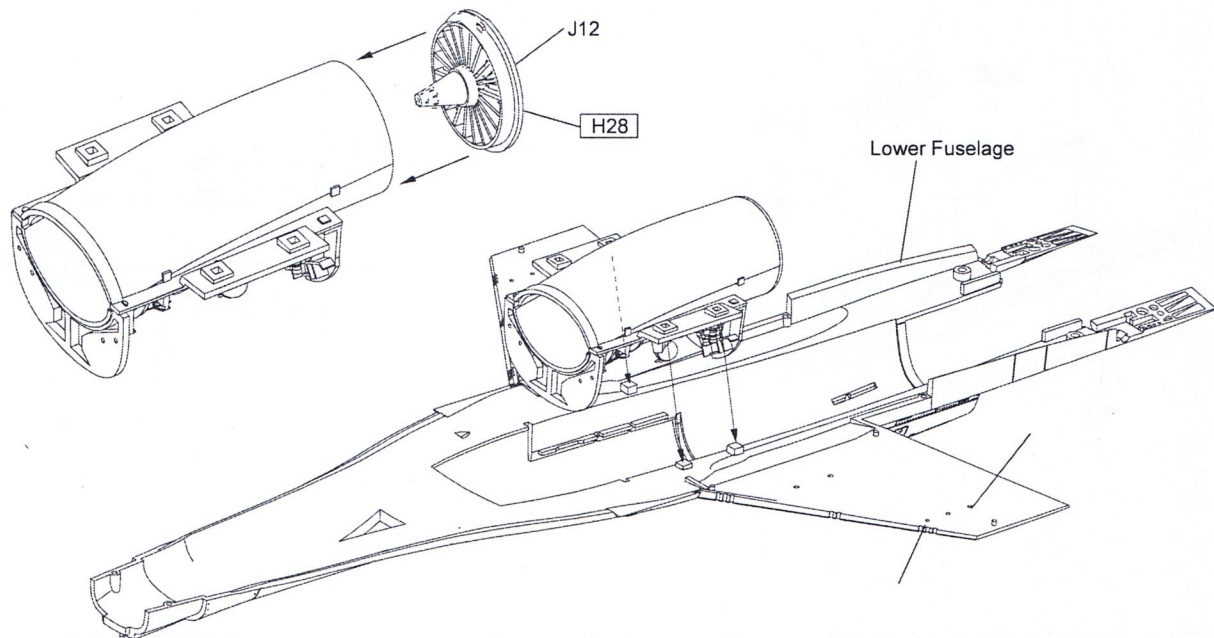
3



4

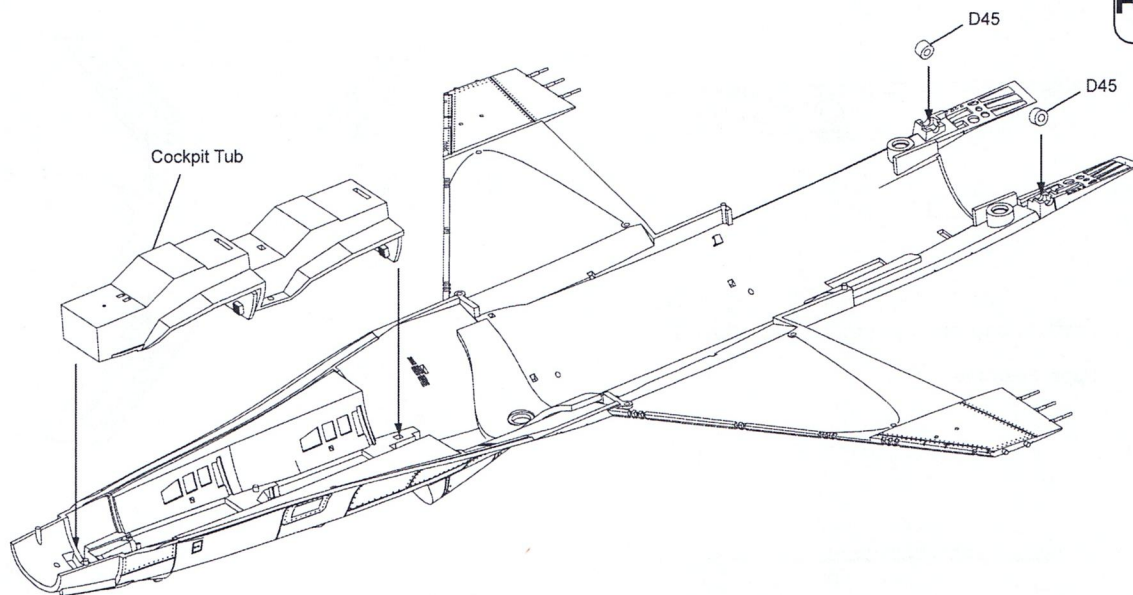


5



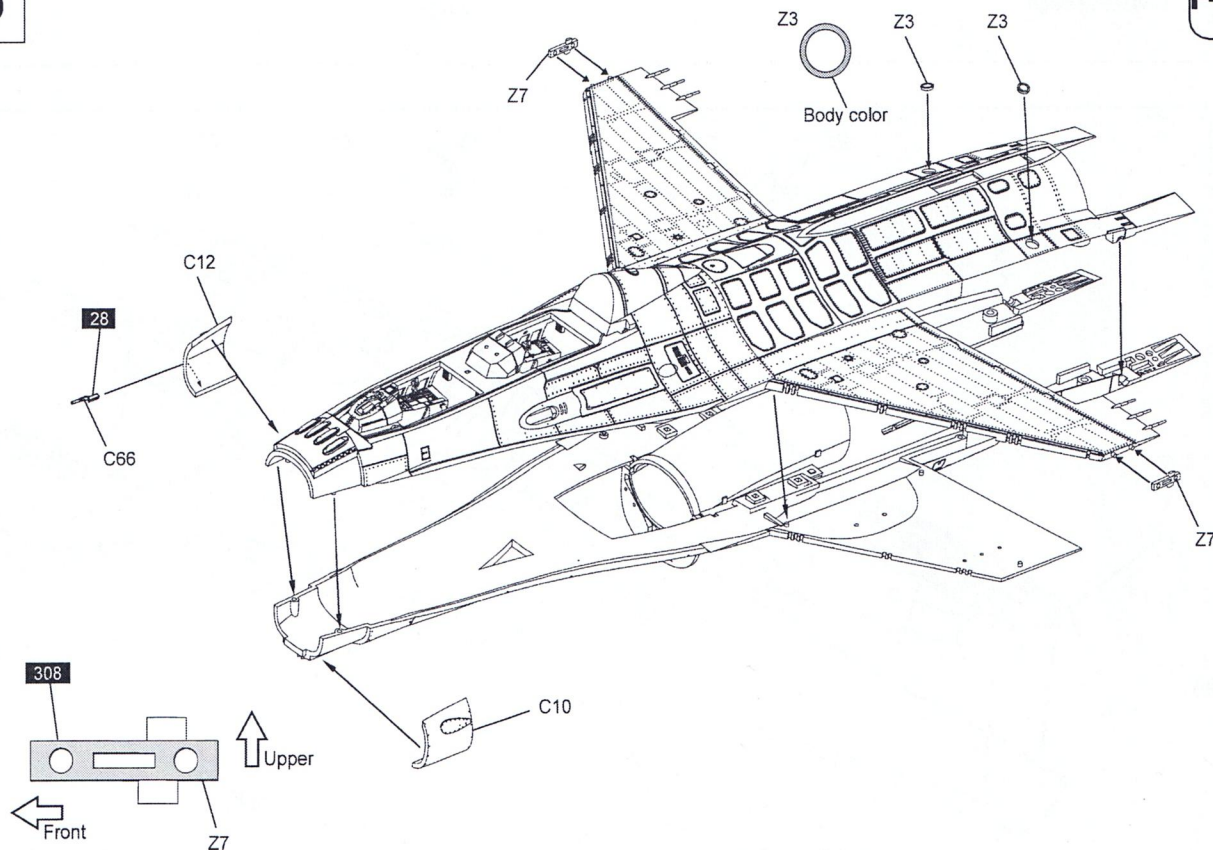
8

F-16B



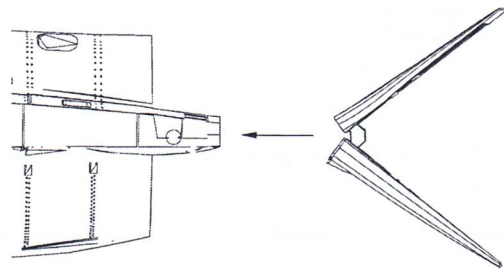
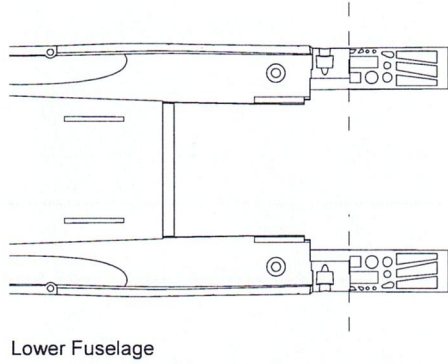
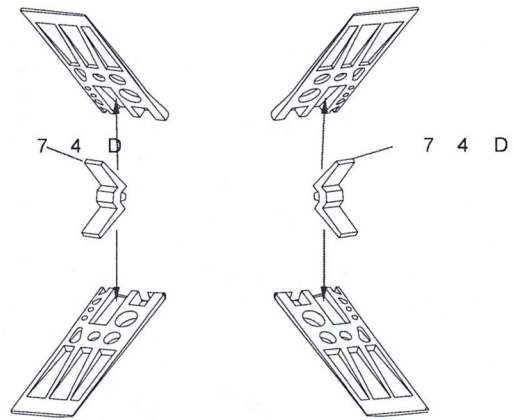
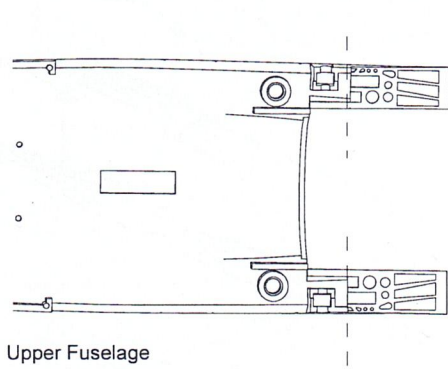
9

F-16B

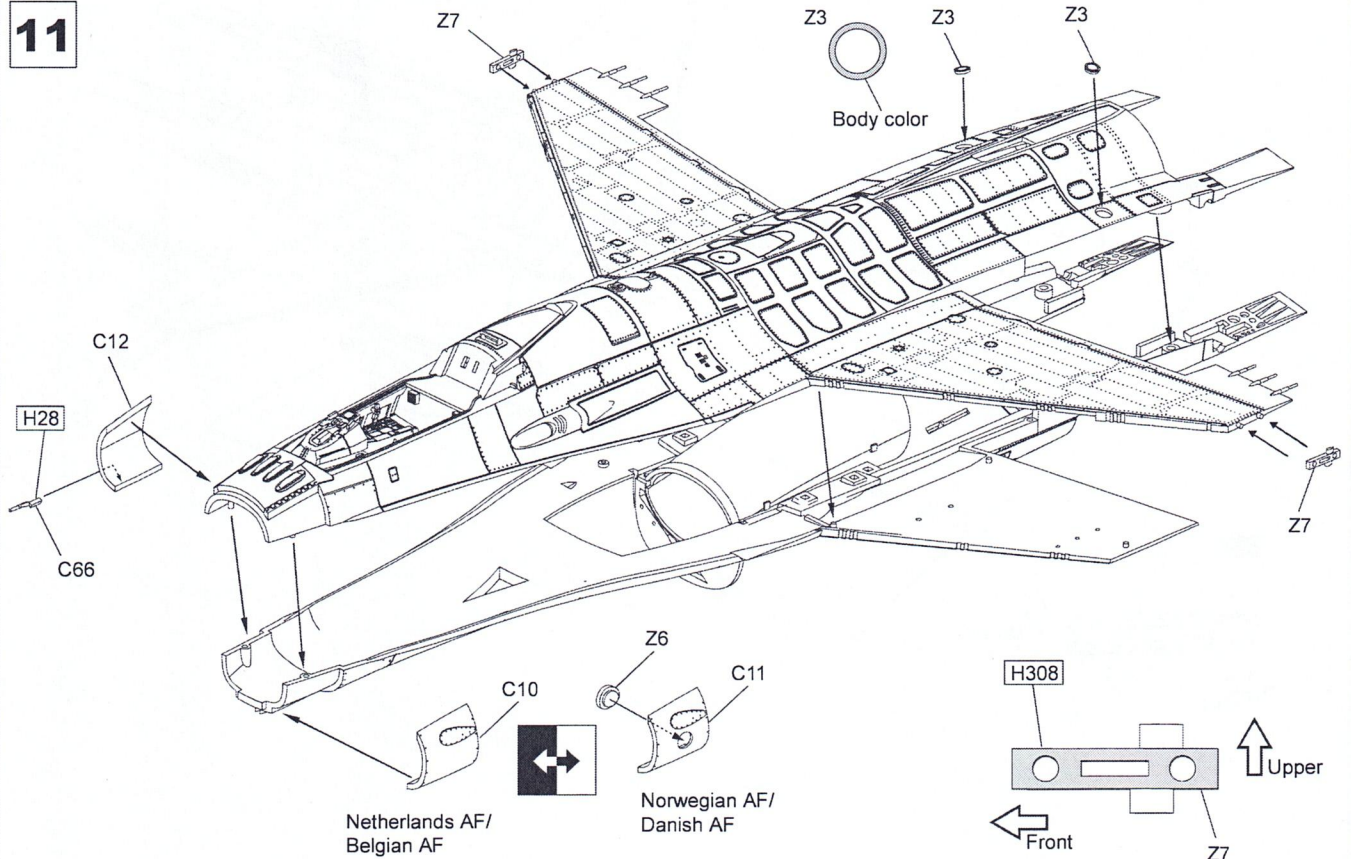


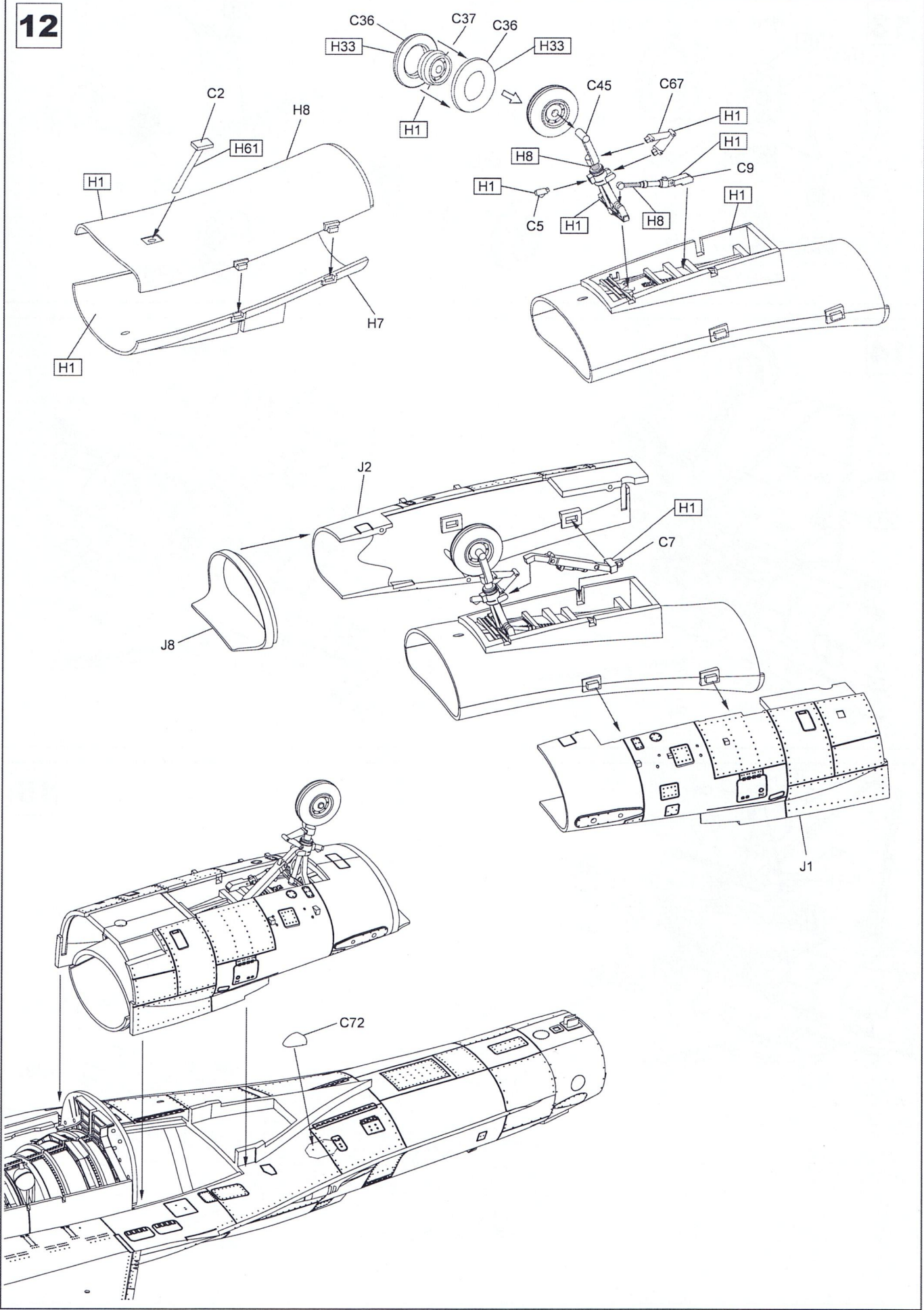
10

Cut along the lines for open air brake

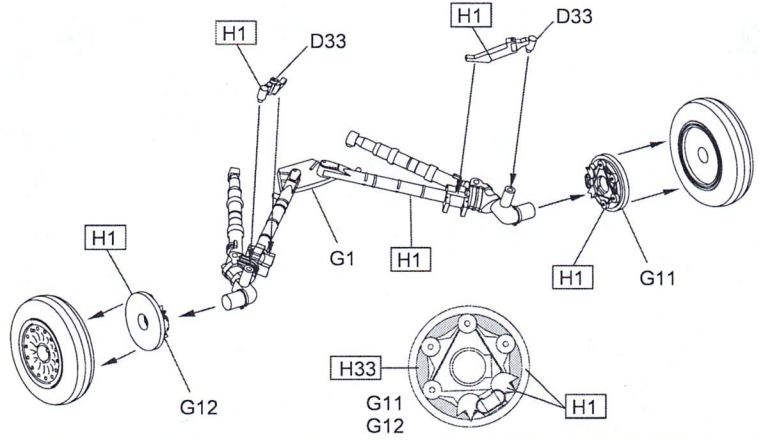
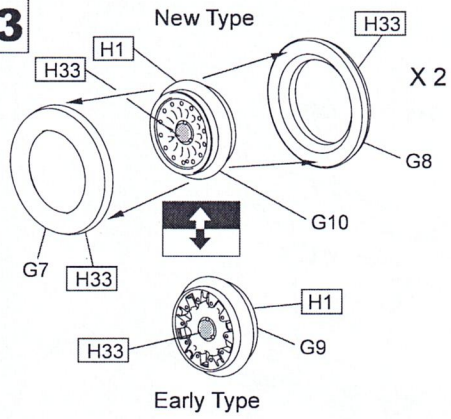


11

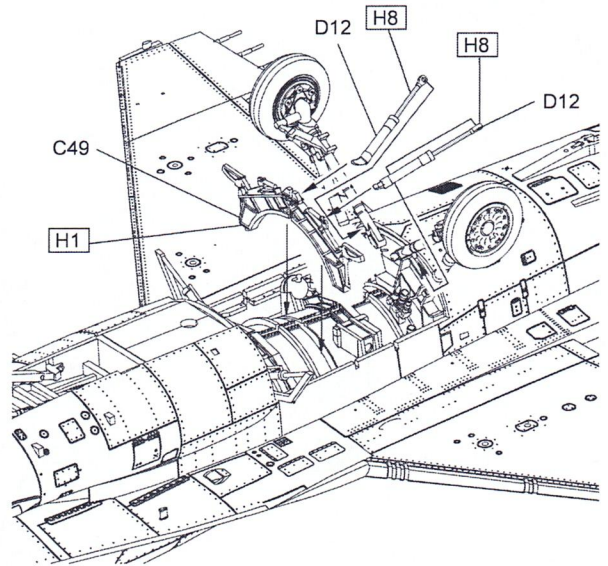
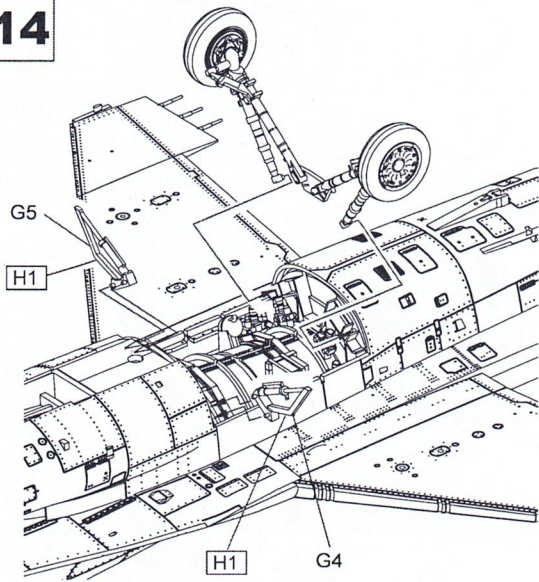




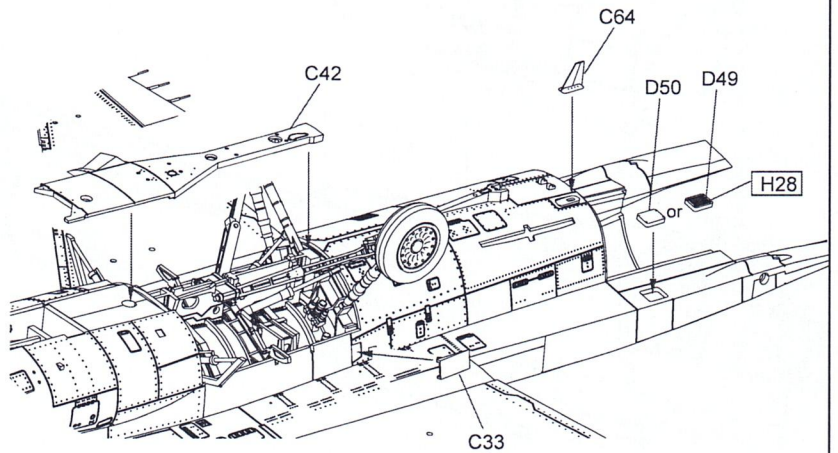
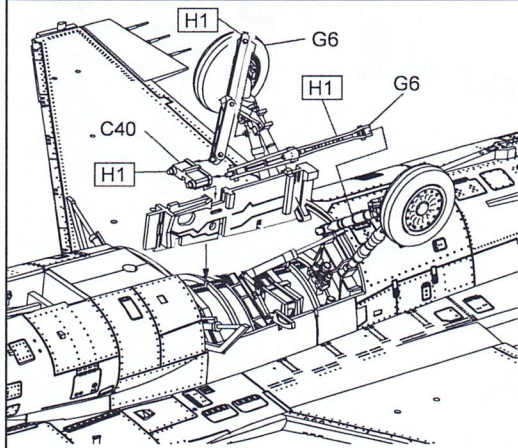
13

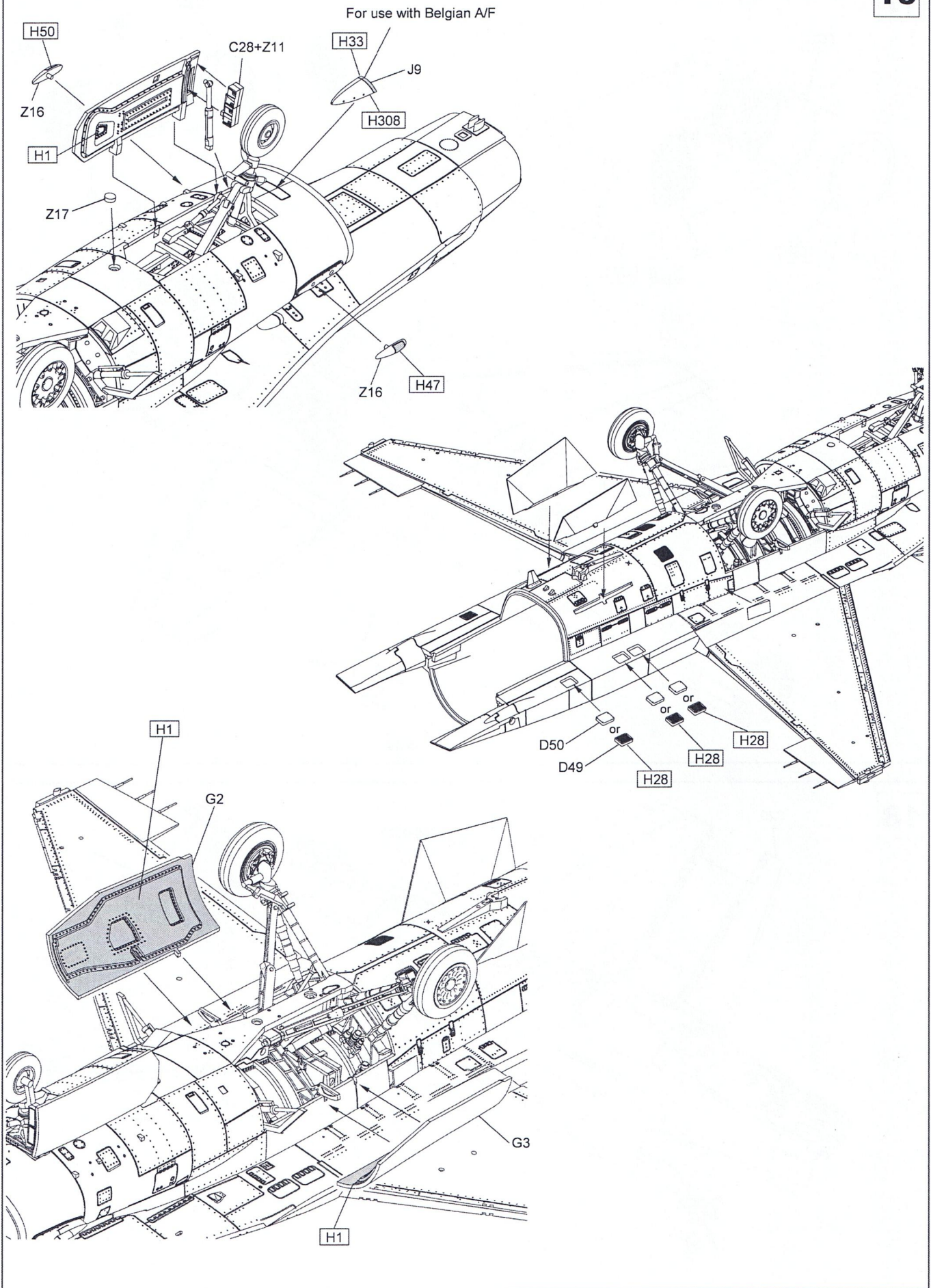


14

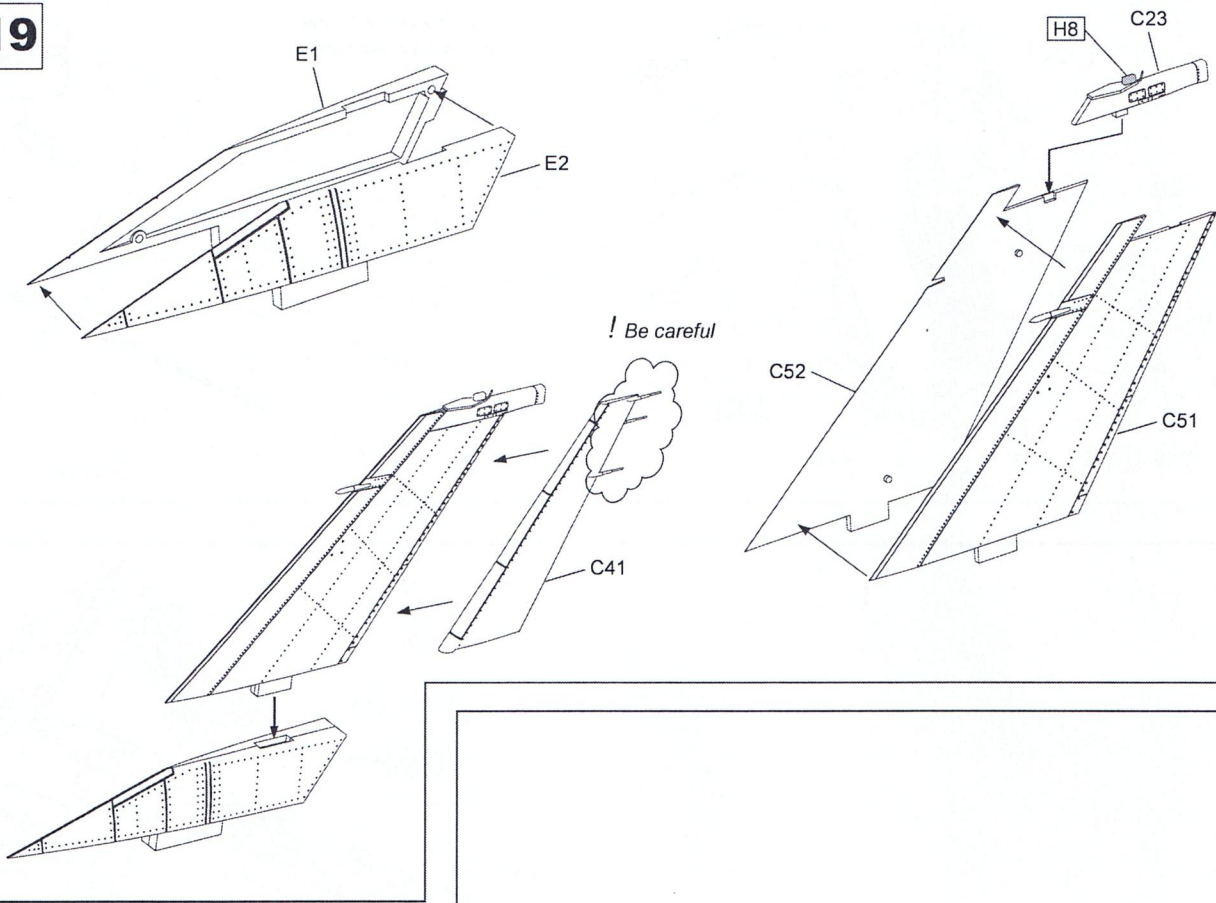


15

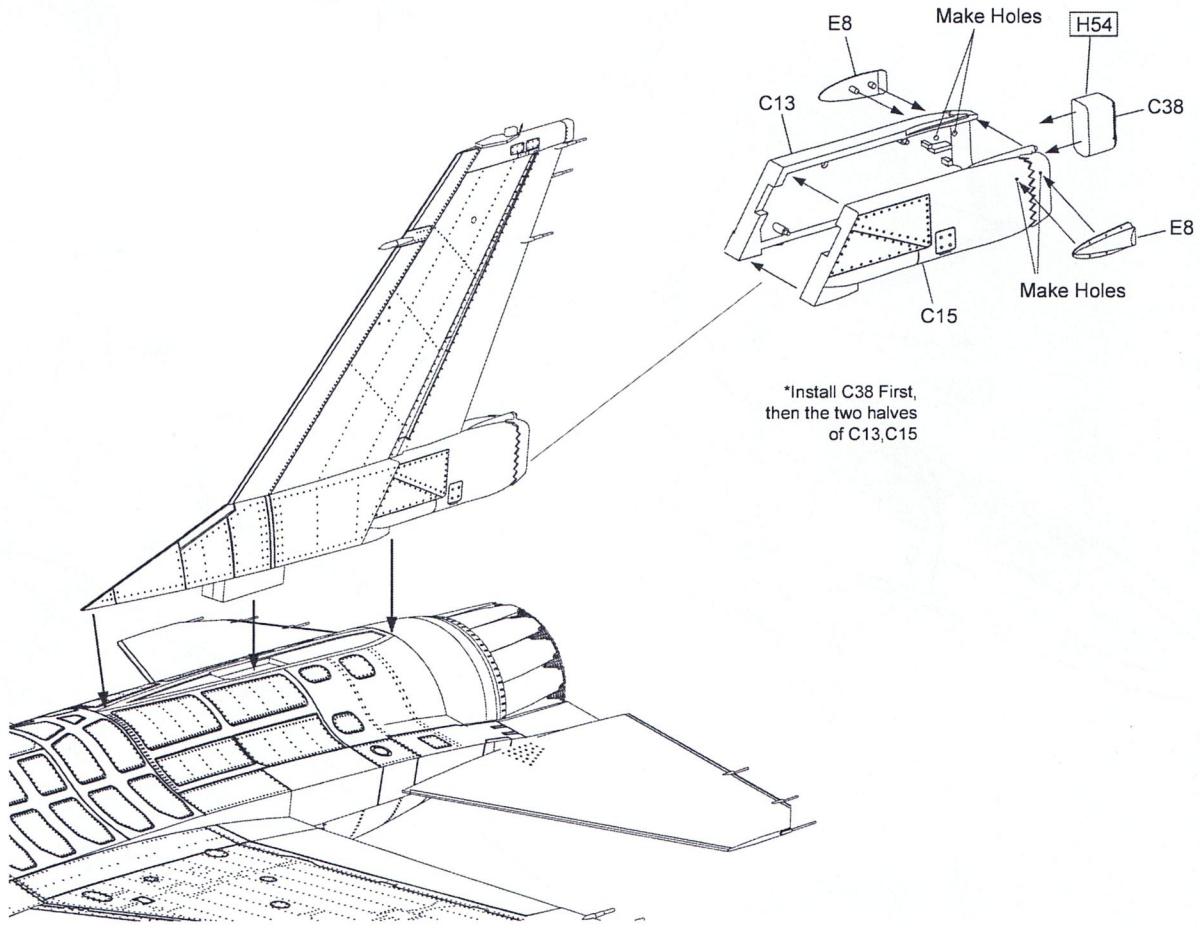




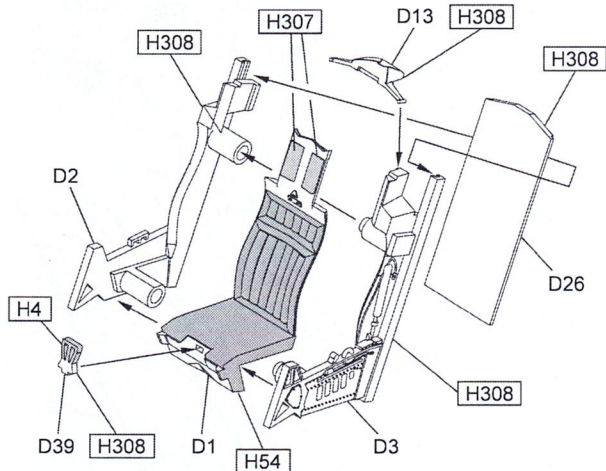
19



20

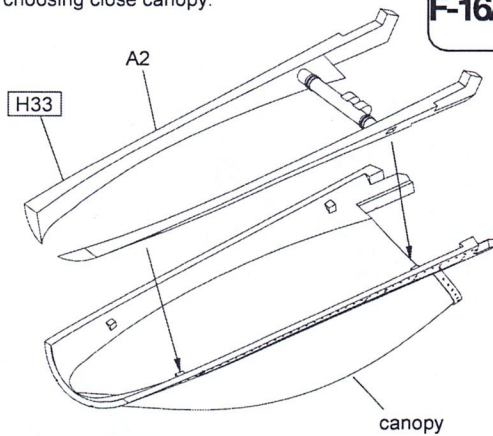


21

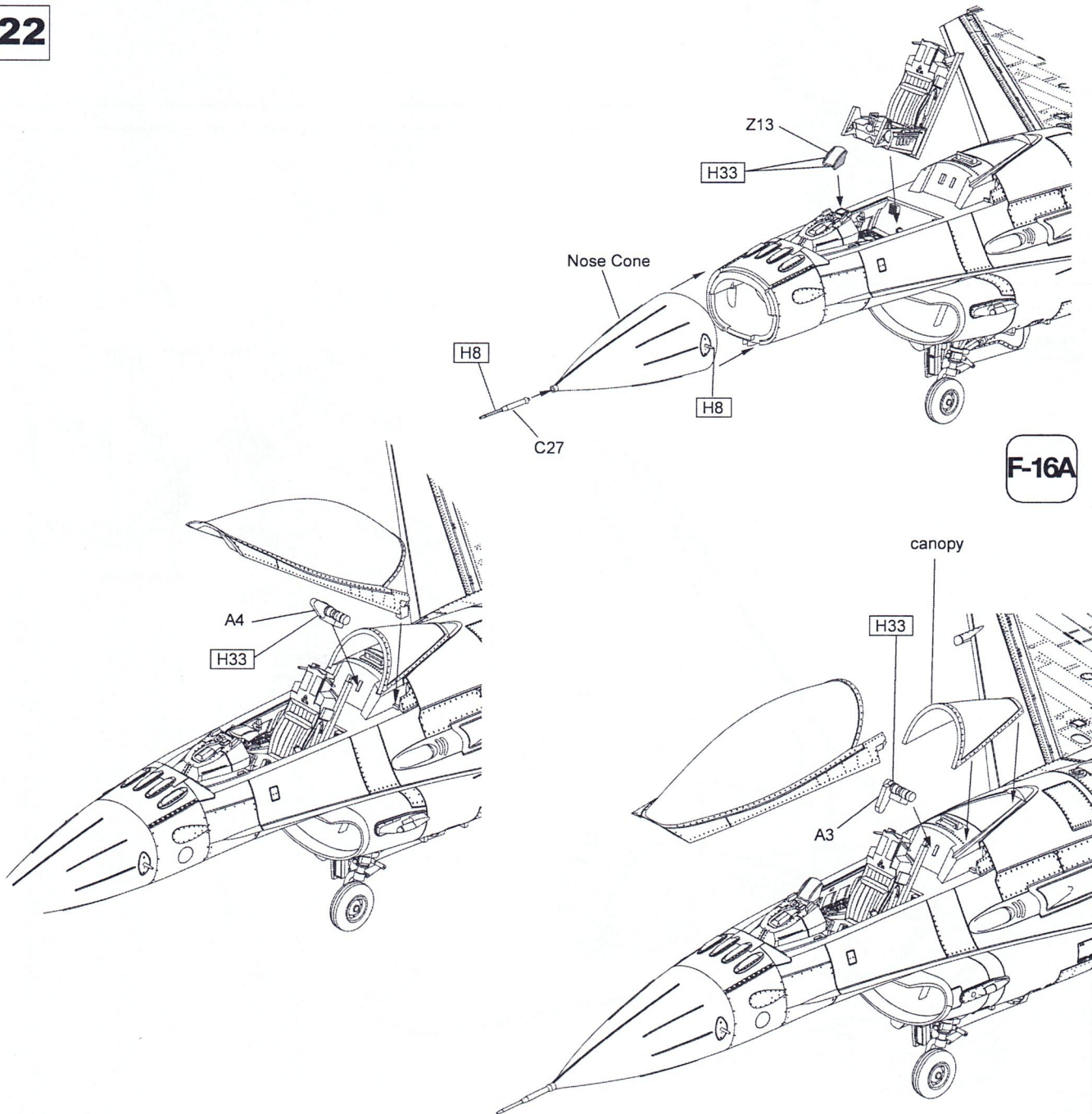


*Do not install A2 when choosing close canopy.

F-16A

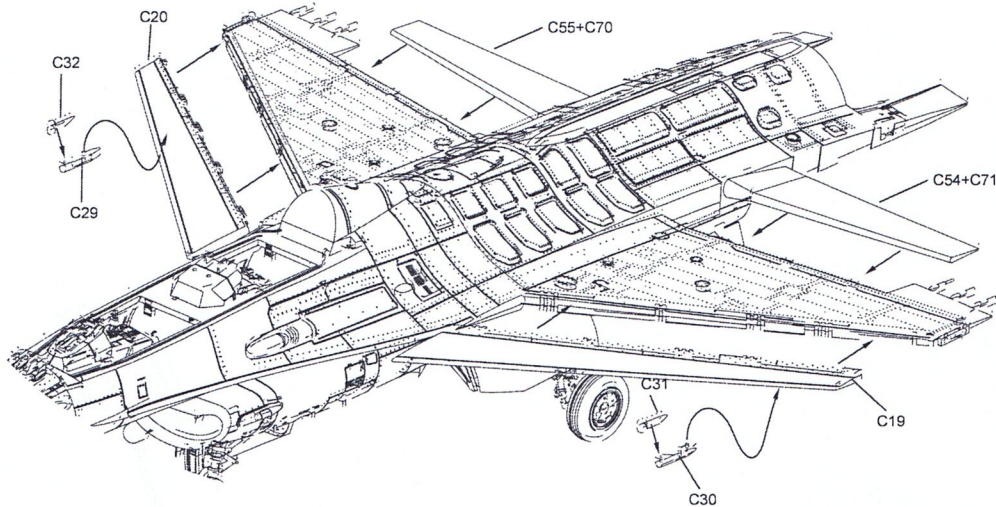


22



F-16A

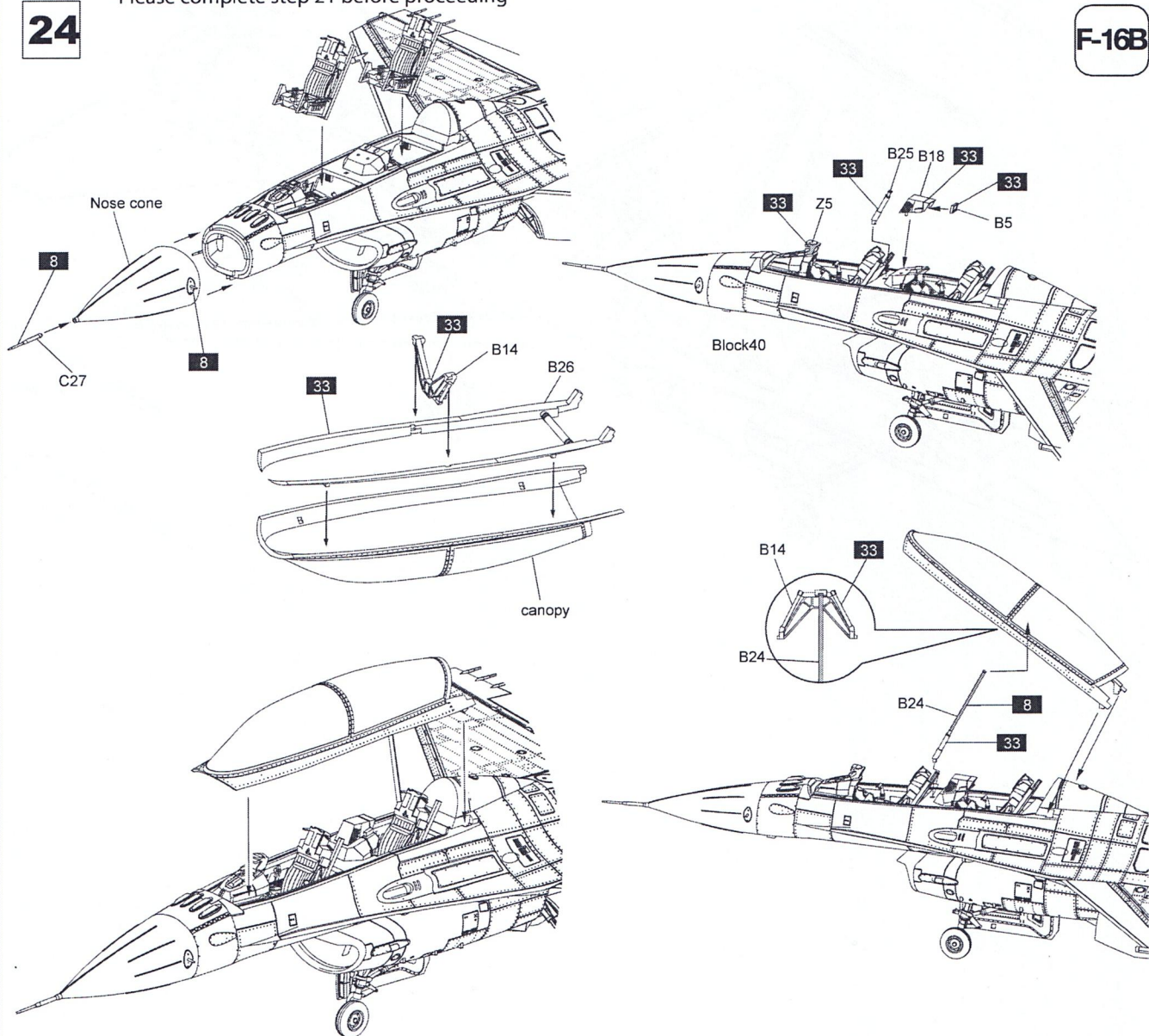
23



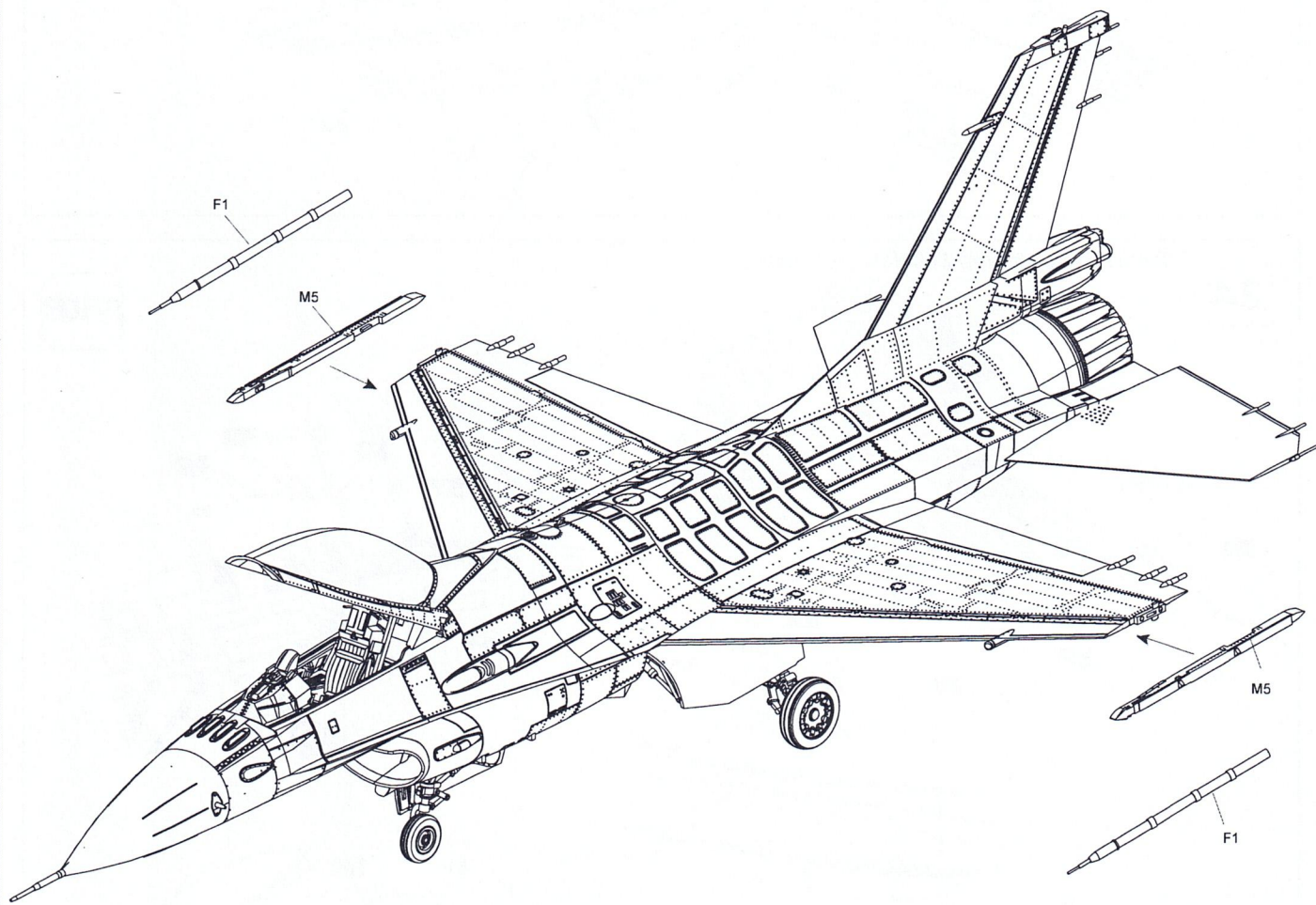
F-16B

24

*Please complete step 21 before proceeding

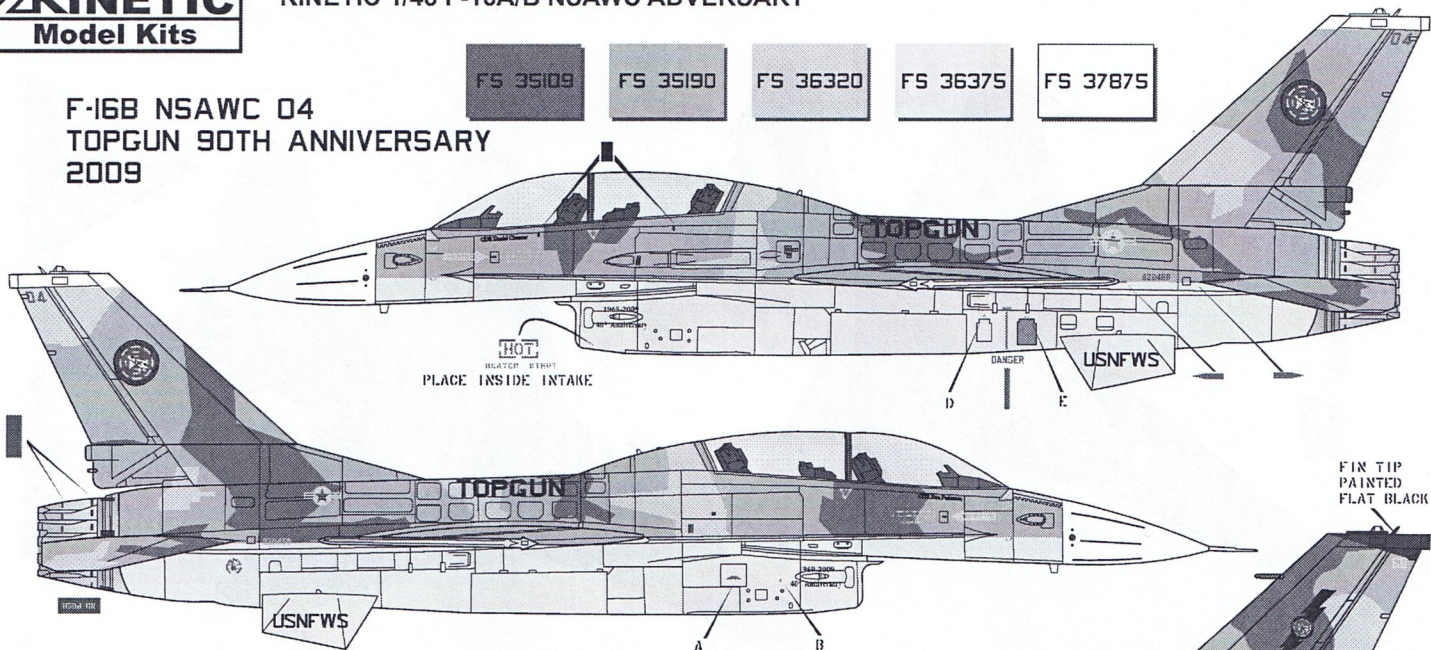


F-16B

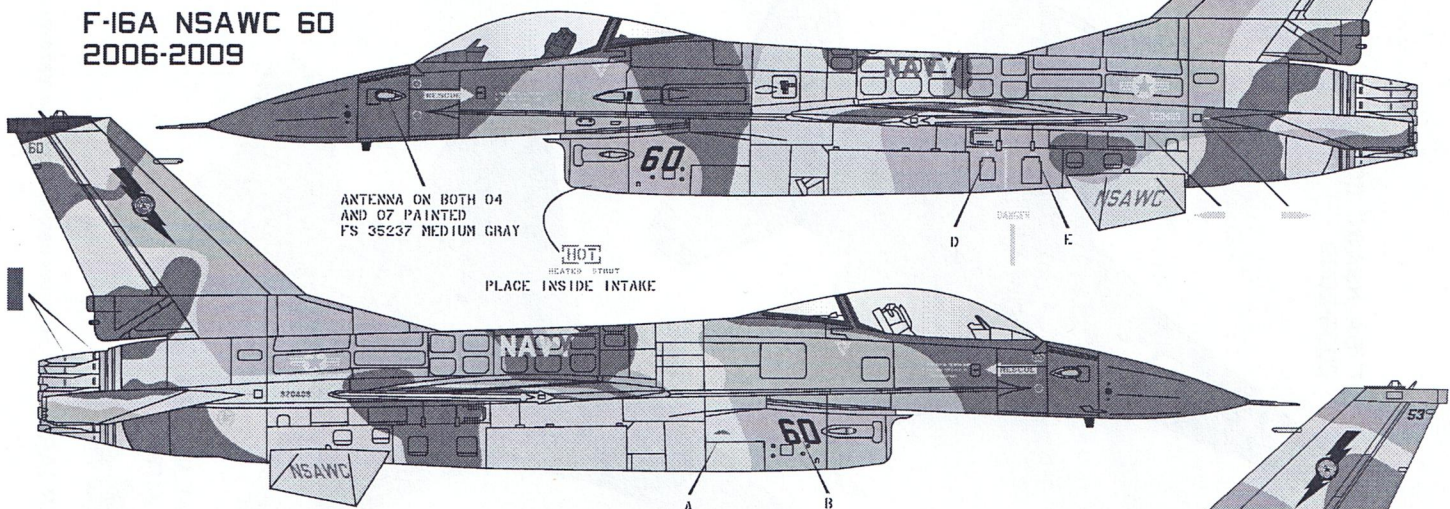


F-16B NSAWC 04
TOPGUN 90TH ANNIVERSARY
2009

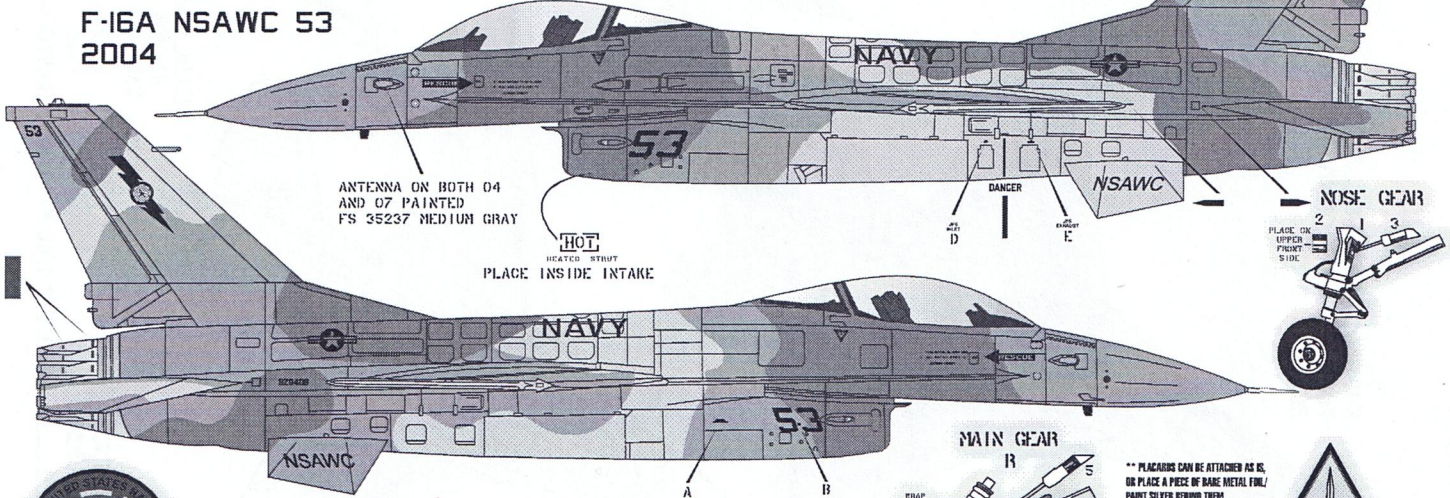
- FS 35109
- FS 35190
- FS 36320
- FS 36375
- FS 37875



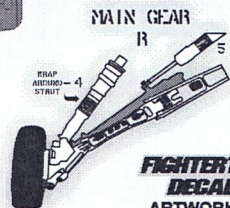
F-16A NSAWC 60
2006-2009



F-16A NSAWC 53
2004



- FS 30140
- FS 30219
- FS 30279



** PLACARDS CAN BE ATTACHED AS IS, OR PLACE A PIECE OF BARE METAL FOL/PAINT SILVER BEHIND THEM.

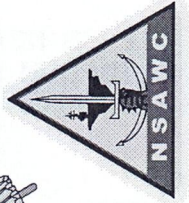
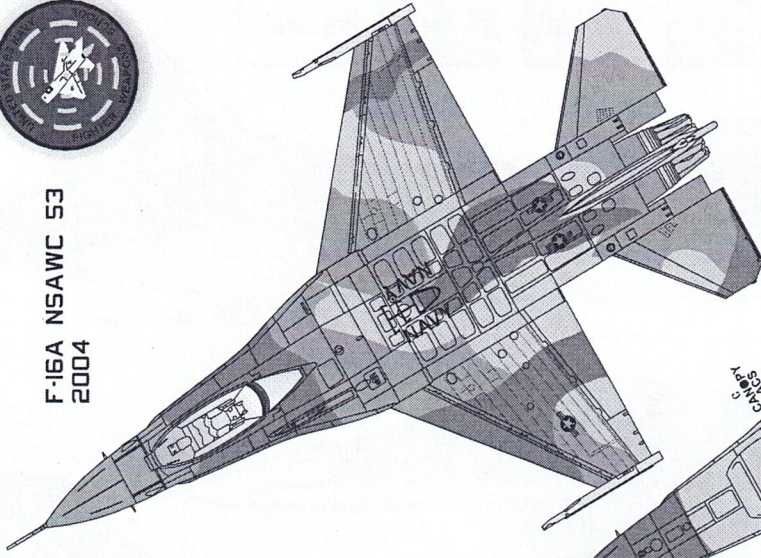
FIGHTERTOWN
DECALS



ARTWORK DESIGNED BY FIGHTERTOWN DECALS



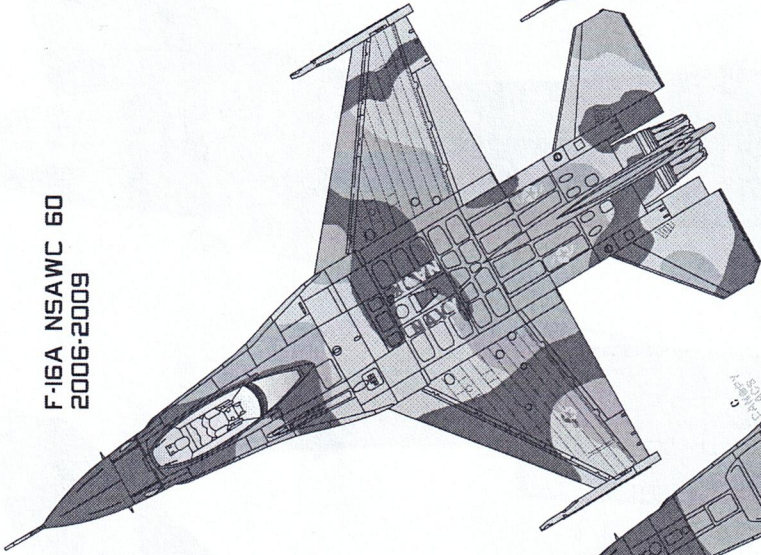
F-16A NSAWC 53
2004



FIGHTERTOWN
DECALS

ARTWORK DESIGNED BY FIGHTERTOWN DECALS

F-16A NSAWC 60
2006-2009

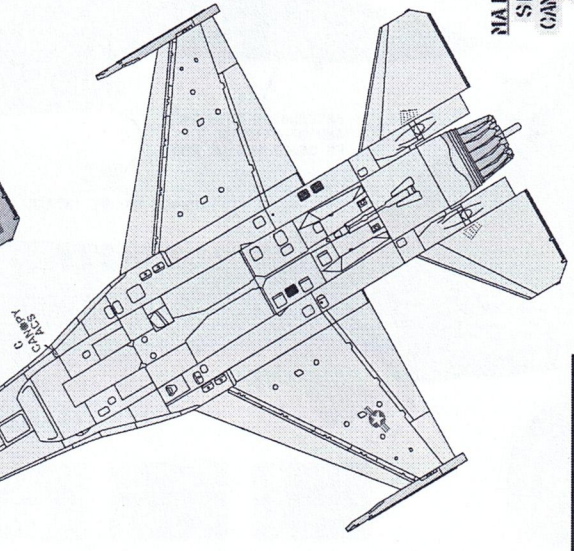
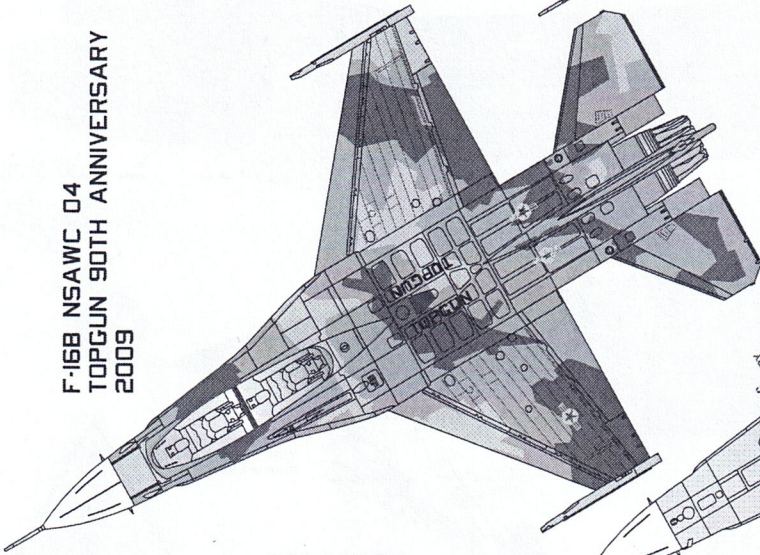


MAIN GEAR BAY DETAILS

SILVER
CANISTER



F-16B NSAWC 04
TOPGUN 90TH ANNIVERSARY
2009



KINETIC 1/48 F-16A/B NSAWC ADVERSARY

KINETIC
Model Kits