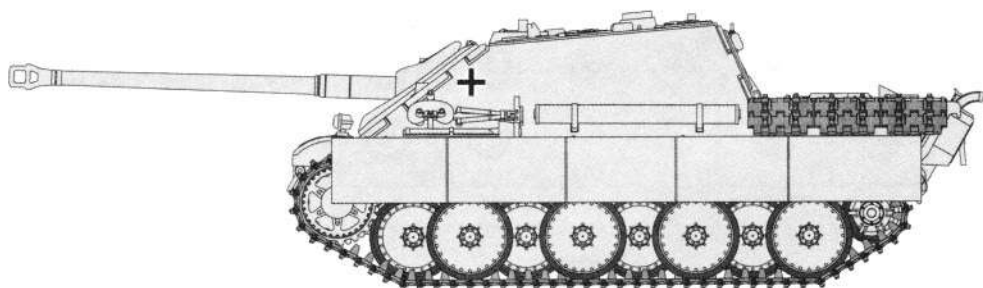


# Jagdpanther (Mid Type)

德国“猎豹”坦克歼击车(中期型)

**READ BEFORE ASSEMBLY:**

- This kit is not recommended for inexperienced modelers or for children under 14 years of age
- Study and understand these instructions thoroughly before beginning assembly
- When needed, remove photo-etch parts carefully using a modeling knife or photo etch sprue cutter, being careful not to damage or lose small parts.
- Take extra care in handling photo etch parts in order to avoid injury
- Apply instant cement sparingly to photo etch parts where instructed
- Tools recommended(not included in kit):Plastic and instant cements,sprue cutters,long nose pliers,,modeling knife, small files, tweezers, pin vise & scissors. Soft cloth and sandpaper will also assist in construction
- Glue and paint are not included in the kit. Use plastic cement and hobby paints only. Color guide for purchasing paint is included in the kit.
- Keep out of reach of children. They must not be allowed to ingest small parts or handle plastic bags in any way.

**装配之前仔细阅读**

- 小心用模型锉刀锉平所有零件表面的注射浇口。
- 小心用刀片切下蚀刻片零件，不要遗失小零件。
- 用强力快干胶水粘合蚀刻片零件和金属轴。过量的快干胶水使用可能导致可动零件会粘住，小心涂胶。
- 取蚀刻片时应特别注意安全，防止利边划伤手指。
- 某些零件表面需贴水上贴纸，请选择在装配的同时进行。
- 推荐模型工具(自备)：胶水，水口剪刀，长咀钳，刀片，锉刀，镊子，钳，钻，剪刀，瞬间快干胶。
- 软布同砂纸同时也应该是必备工具。
- 请使用塑料胶水和油漆，模型内不含。
- 谨防小孩吸吮塑料零件，或者将塑料袋套在头上，制作时应将套材远离小孩接触。
- 本产品不适合14岁以下没有经验的模型爱好者。



cyanoacrylate glue  
使用强力胶



weight  
配重



make hole  
钻孔



cut / remove  
切除



bend  
弯曲



file / sand  
锉平



option  
选择



no cement  
不涂胶水



decal  
贴纸

**水贴纸的使用:**

1. 从水贴纸上剪下印花;
2. 将印花放入温水中浸10秒，然后放在干净布上。
3. 拿着印花纸板将印花移到模型上;
4. 手指蘸水将印花移到适当的位置;
5. 用软布轻压印花直至水干，气泡消失。

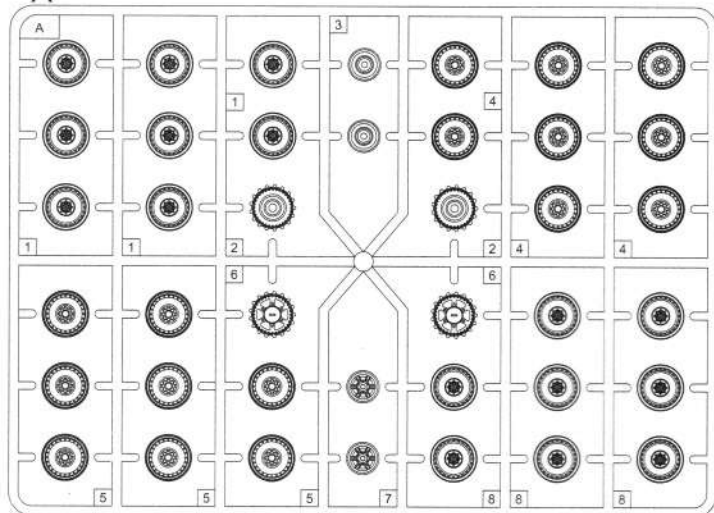
**DECAL APPLICATION**

1. Cut off decal from sheet.
2. Dip the decal in tepid water 40°C for about 10 sec. and place on a clean cloth.
3. Hold the backing sheet edge and slide decal onto the model.
4. Move decal into position by wetting decal with finger.
5. Press decal gently down with a soft cloth until excess water and air bubbles are gone.
6. Allow decal to dry completely before handling model.

# 部品图

## Parts

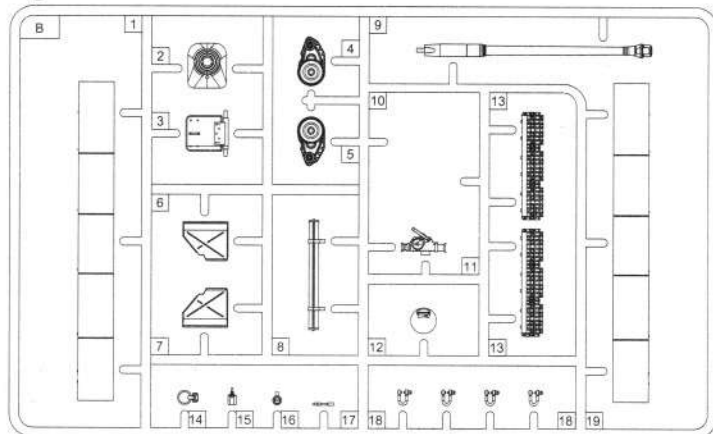
A



《履带》×2  
Track×2



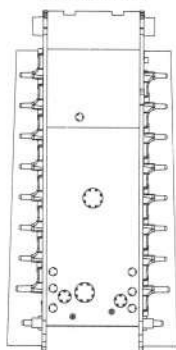
B



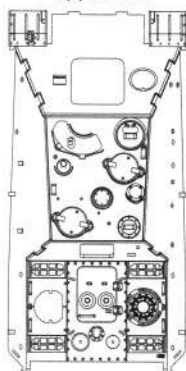
《水贴》  
Decal

++

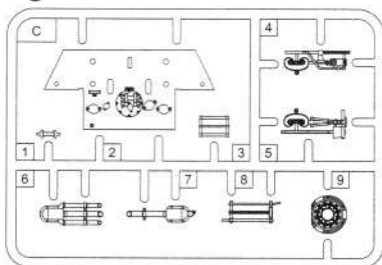
《车底》  
Lower hull



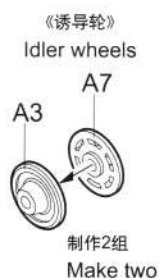
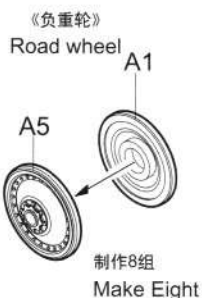
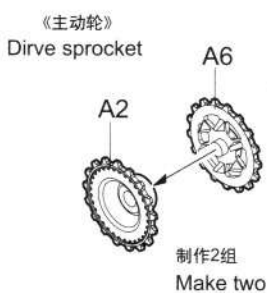
《车面》  
Upper hull



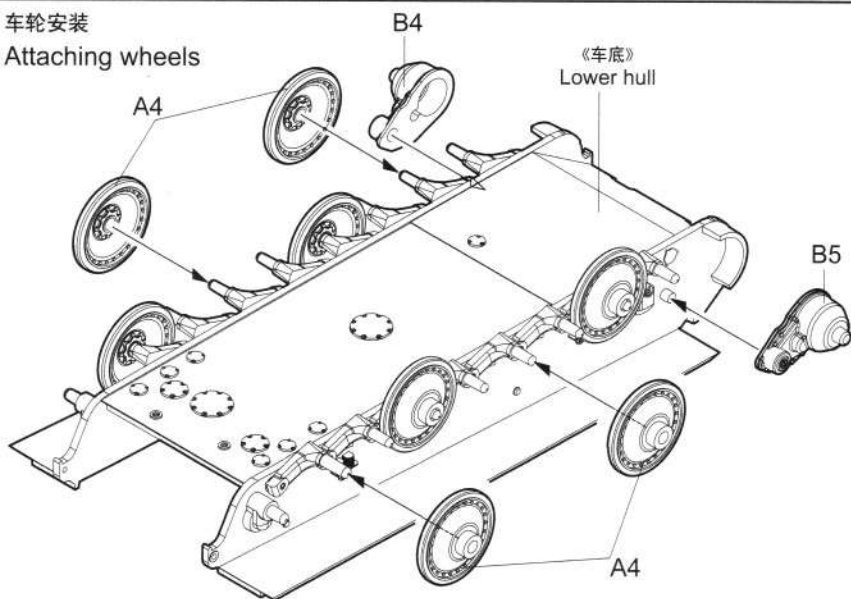
C



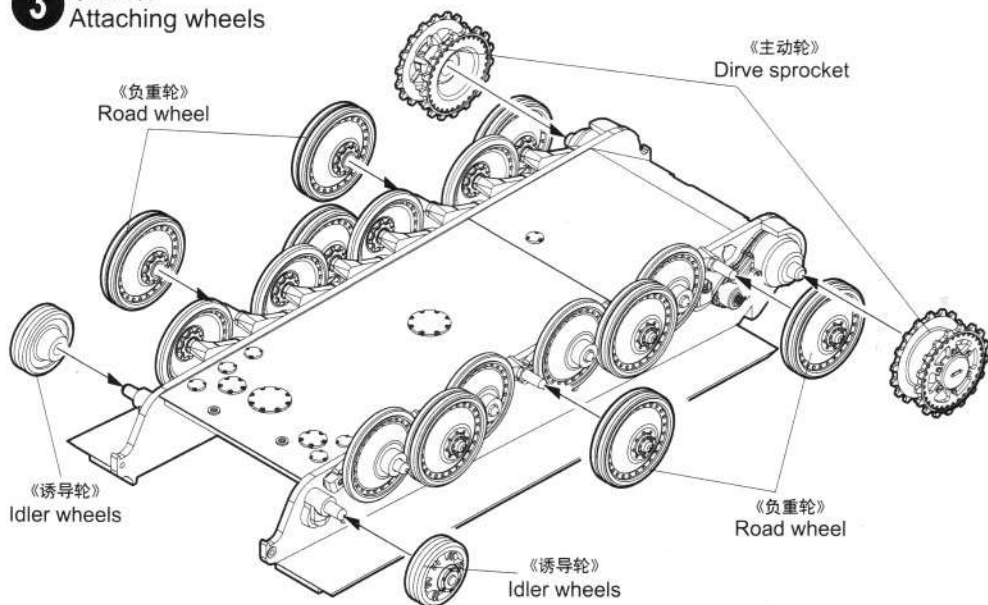
# 1 车轮组装 Wheels assembly



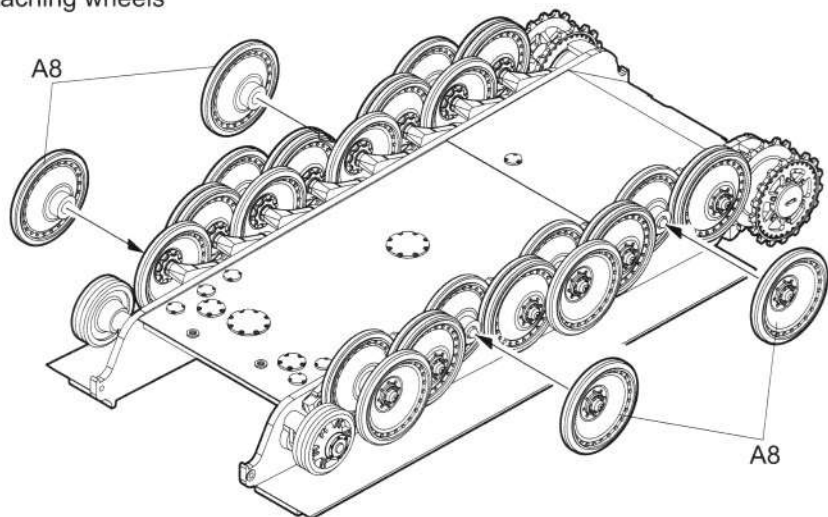
# 2 车轮安装 Attaching wheels



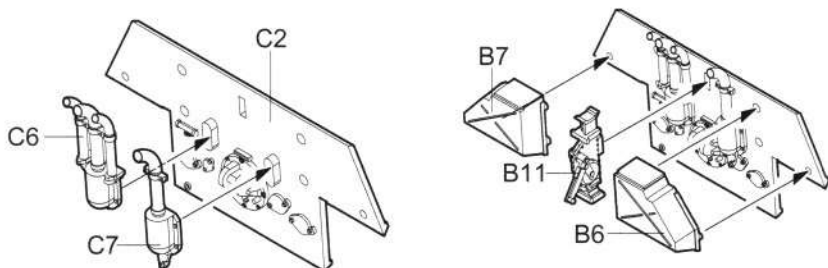
# 3 车轮安装 Attaching wheels



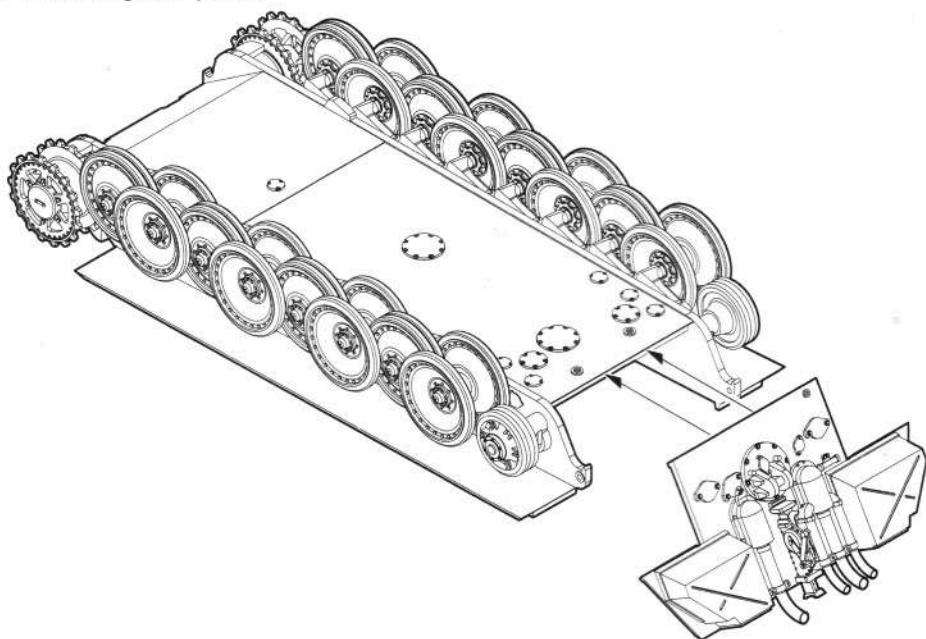
**4** 车轮安装  
Attaching wheels



**5** 后板组装  
Rear panel assembly



**6** 后板安装  
Attaching rear panel

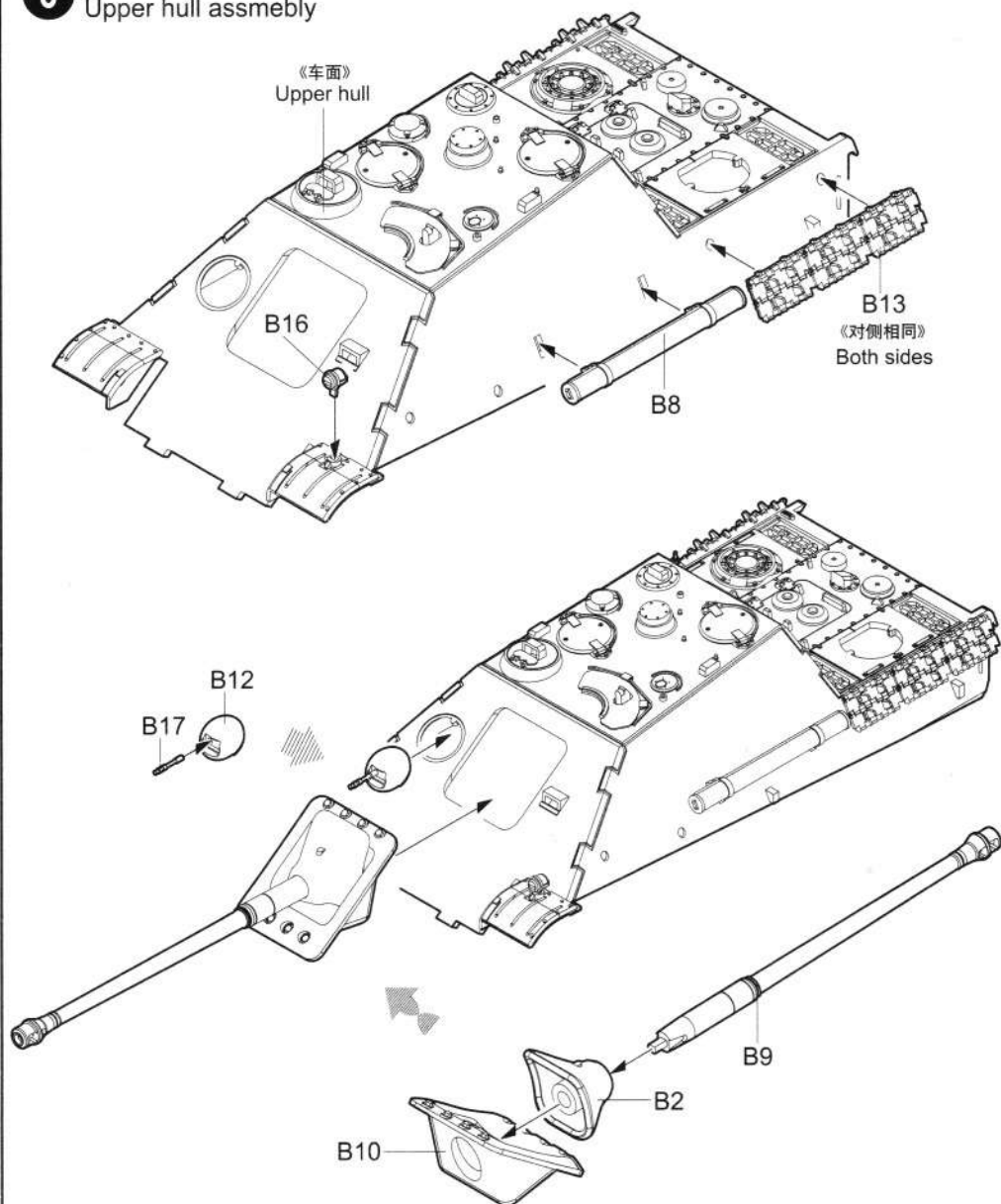


## 7 履带联接 Track construction

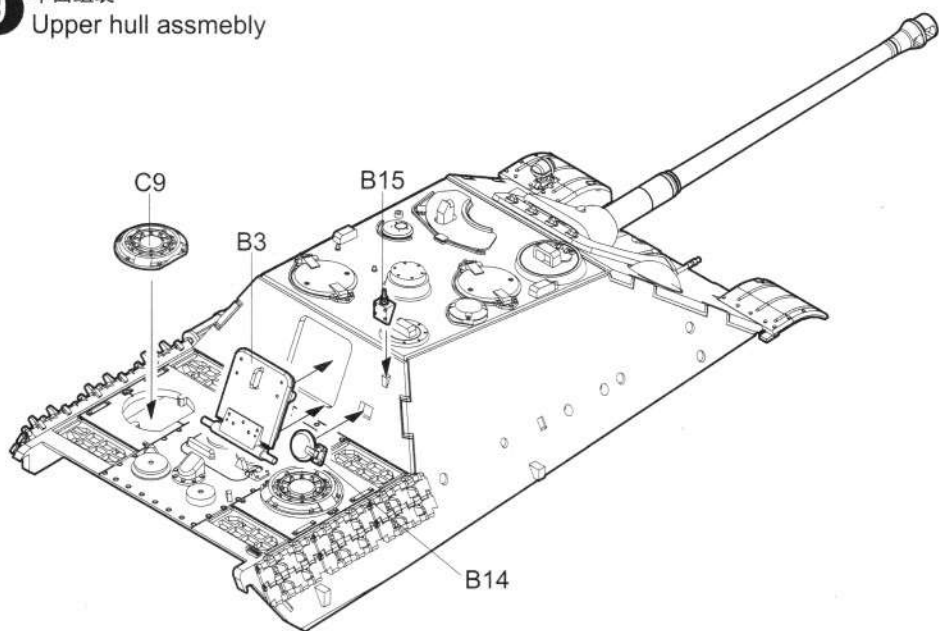
- \* 履带可用塑料胶水粘合。
- \* 履带可用模型油漆喷涂。
- \* 若履带断裂，用细丝线固定。
- \* The tracks in this kit can be glued using plastic cement.
- \* The tracks can be painted using plastic paints.
- \* If track is broken strengthen with staples or thread.



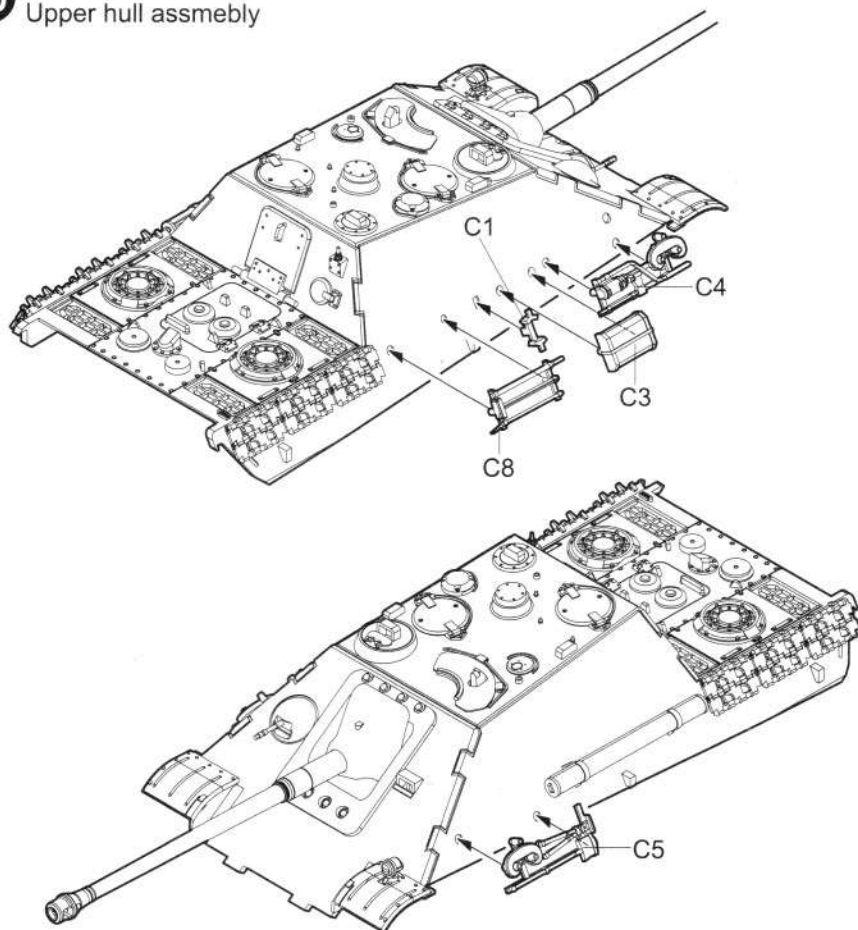
## 8 车面组装 Upper hull assmely



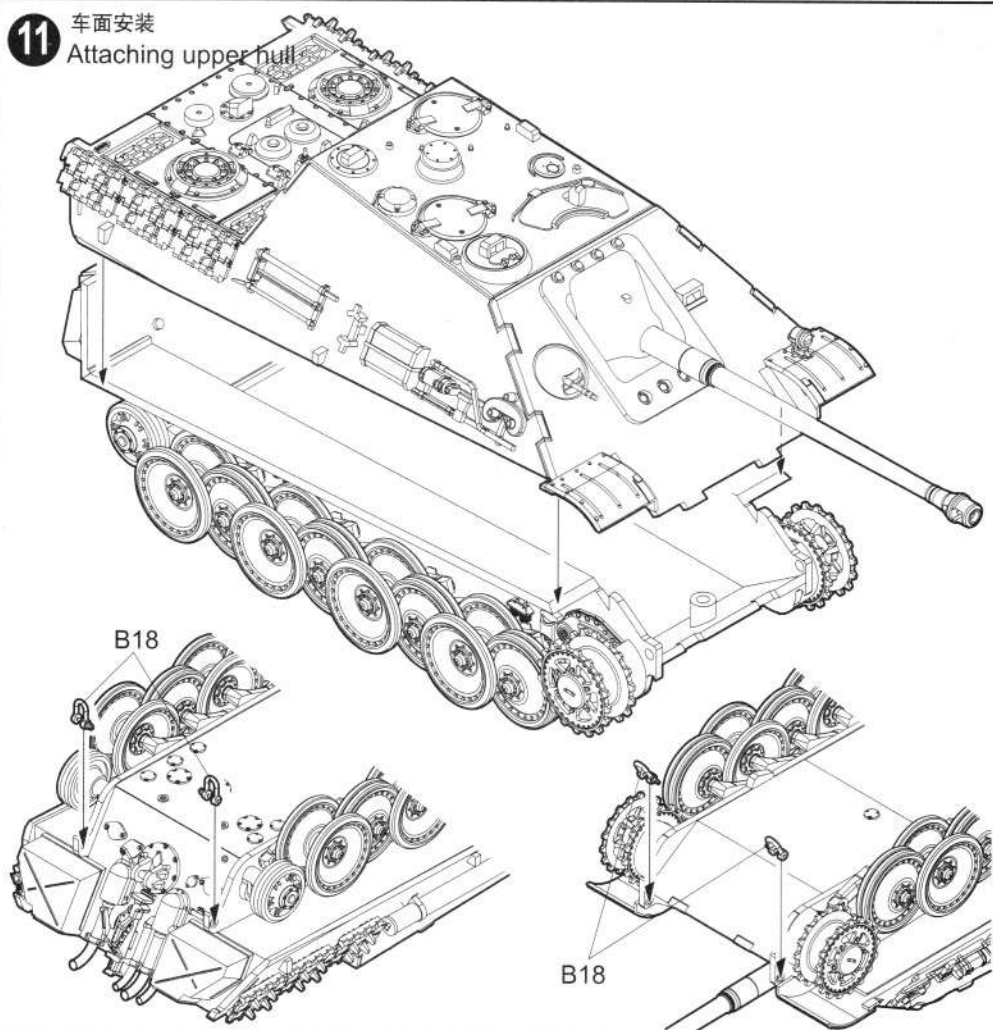
**9** 车面组装  
Upper hull assmebly



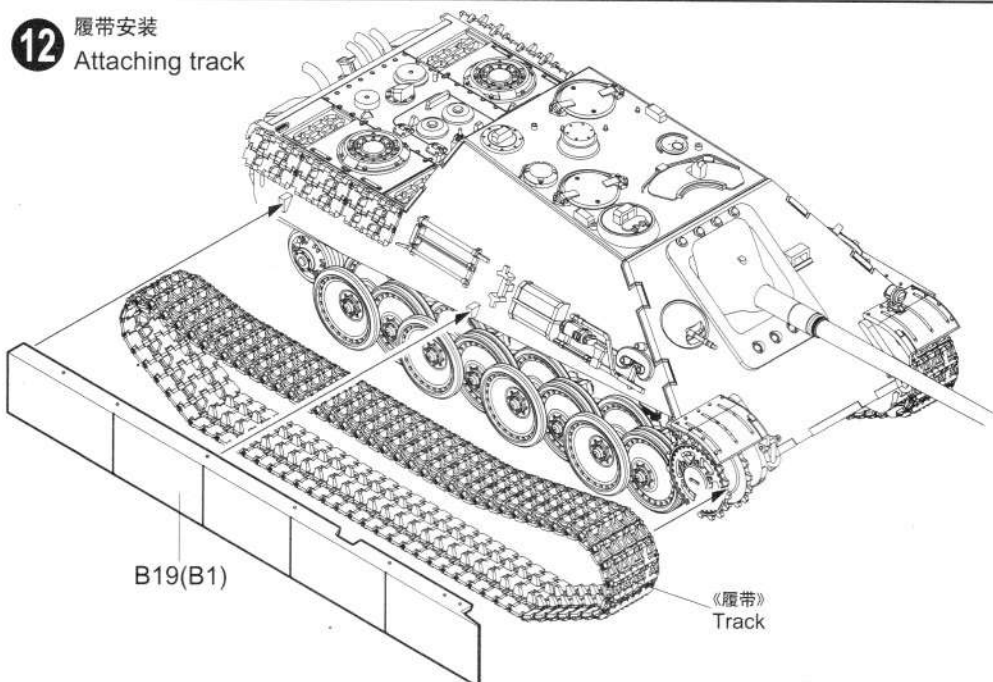
**10** 车面组装  
Upper hull assmebly



**11** 车面安装  
Attaching upper hull



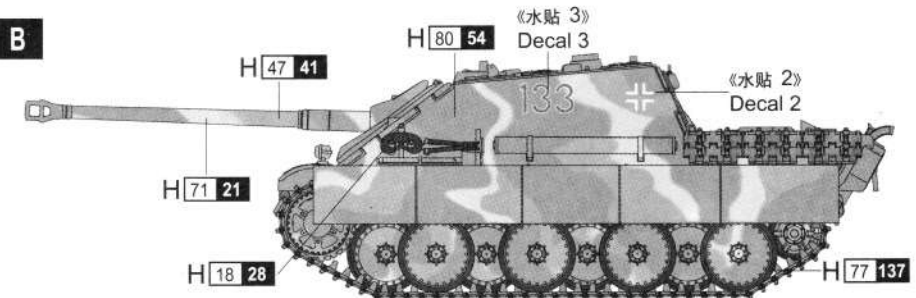
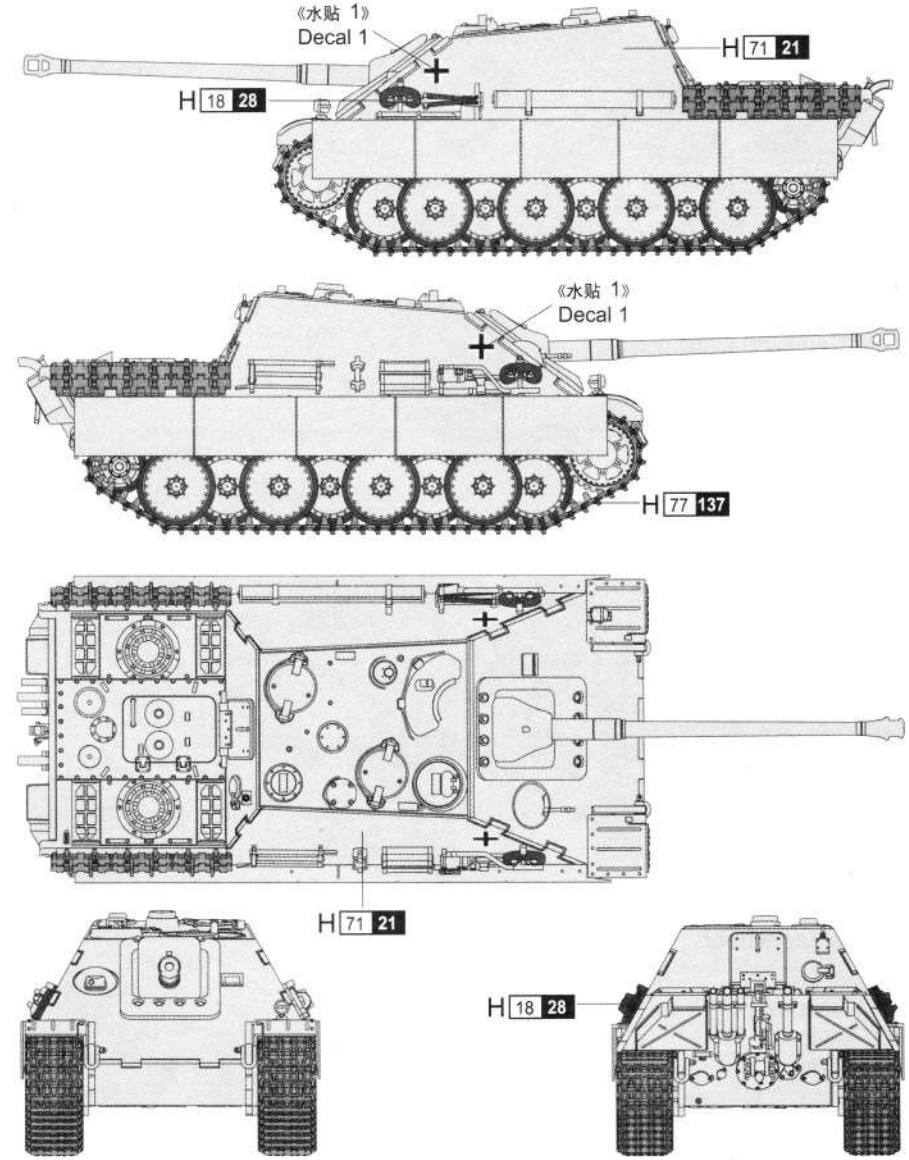
**12** 履带安装  
Attaching track



# 涂装同标贴指示 Painting & Marking guide

使用 MR.HOBBY 涂料 Mr. Color Used

		H 47 41	红棕色 Red Brown
H 71 21	土黄色 Middle Stone	H 80 54	卡其绿色 Khaki Green
H 18 28	黑铁色 Metal Black	H 77 137	胎黑色 Tire Black



H □ AQUEOUS HOBBYCOLOR

■ Mr. COLOR





1



2

133

3

133

**07241 1/72 Scale Jagdpanther (Mid Type)**