

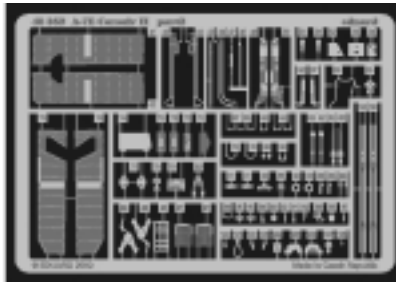
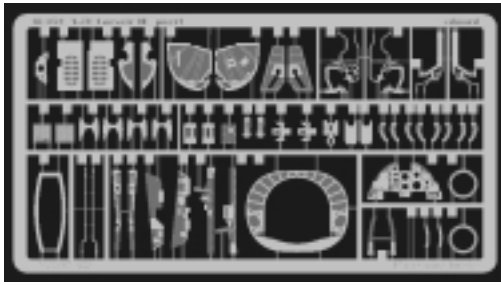






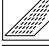
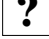
# A-7E Corsair II

eduard

48 352


1/48 scale detail set for Hasegawa/Revell kit • sada detailů pro model Hasegawa a Revell 1/48



-  SYMMETRICAL ASSEMBLY  
SYMETRICKÁ MONTÁ
-  REMOVE  
ODSTRANIT
-  BEND  
OHNOUT
-  REPLACE  
NAHRADIT
-  GRIND  
OBROUSIT
-  OPTION  
VOLBA

 ORIGINAL KIT PARTS  
PŮVODNÍ DÍLY STAVEBNICE

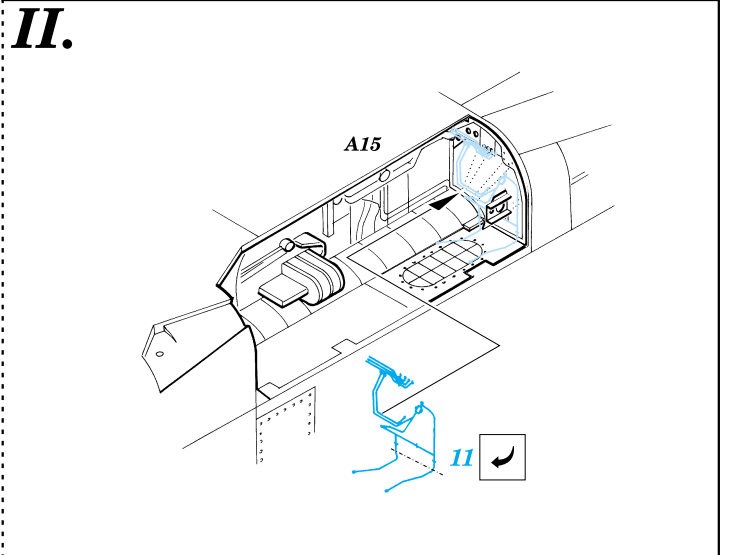
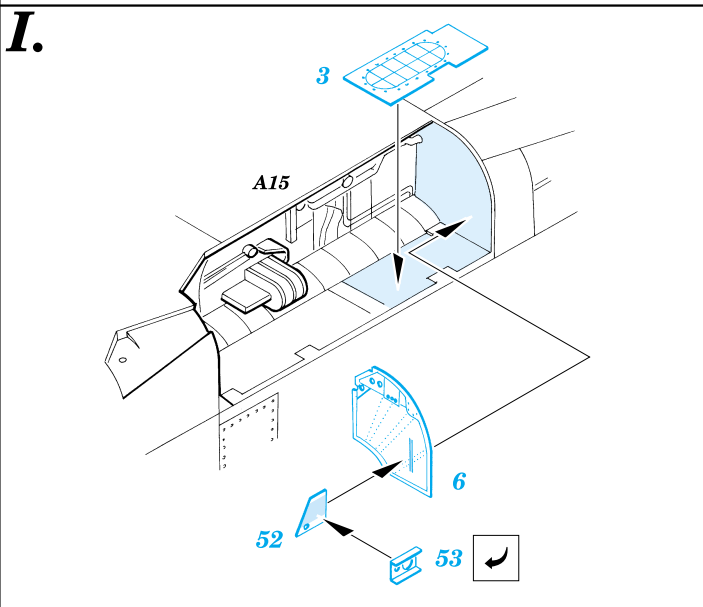
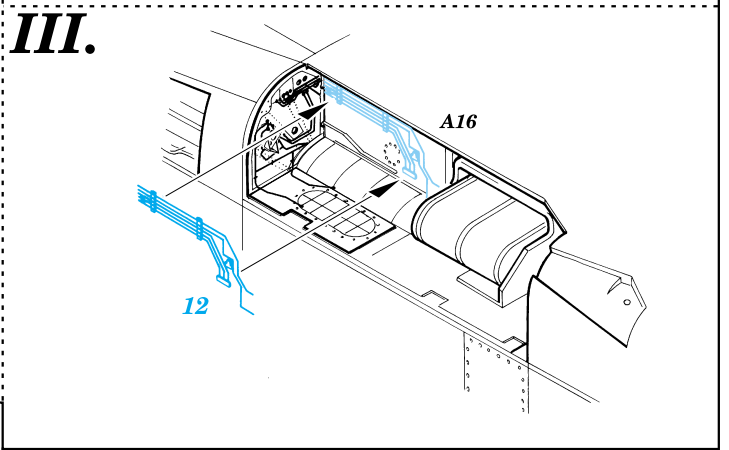
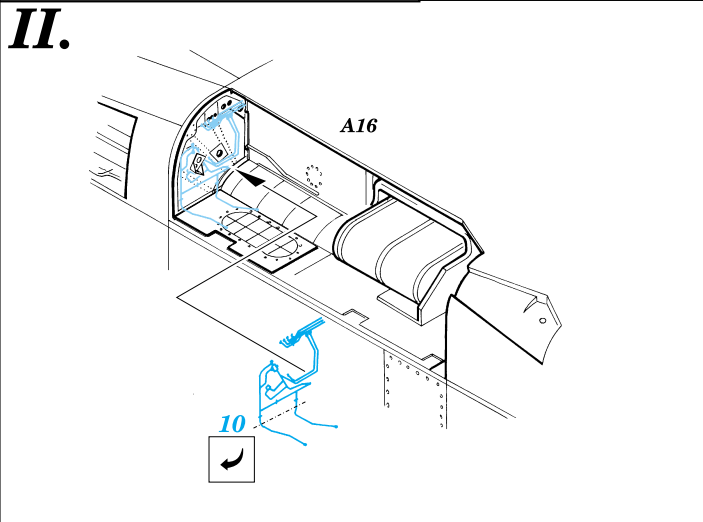
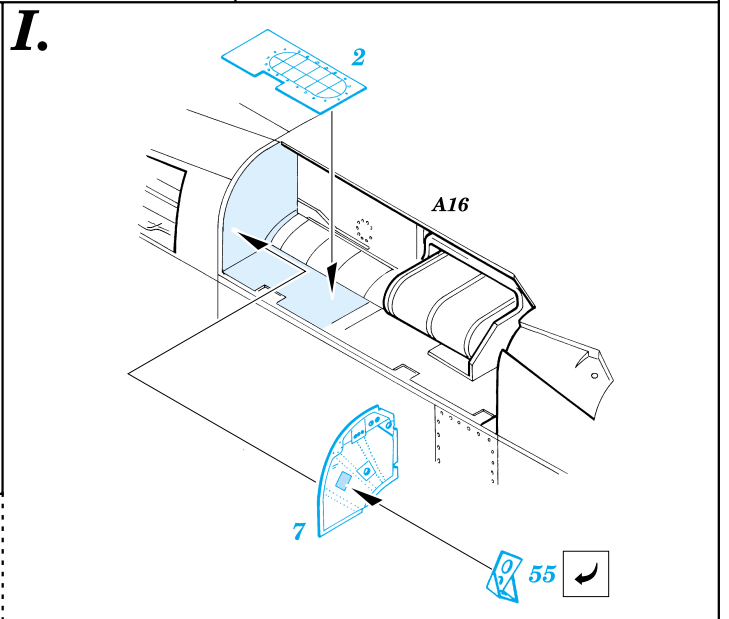
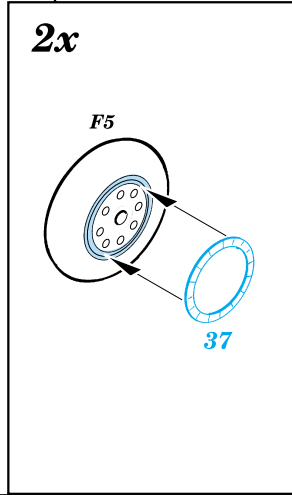
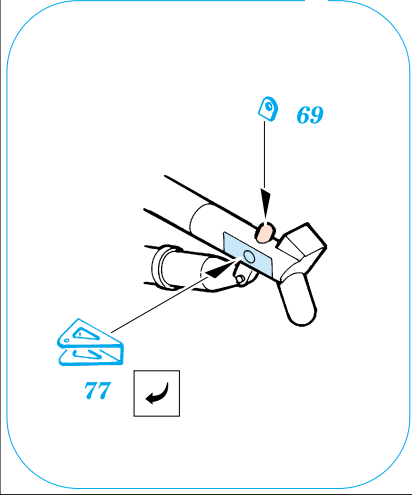
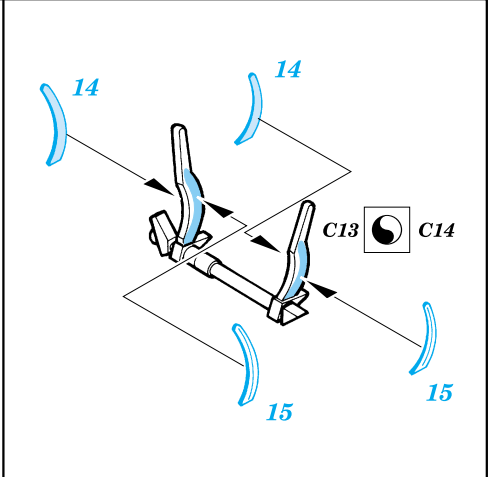
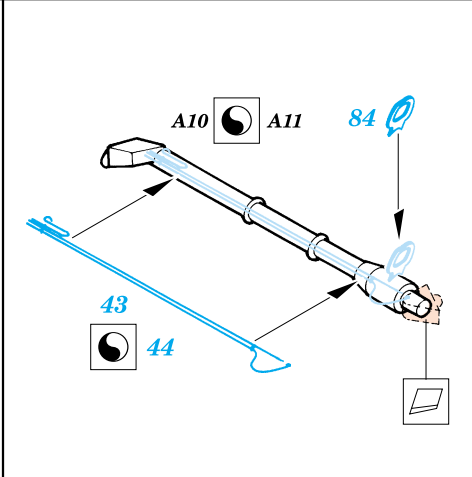
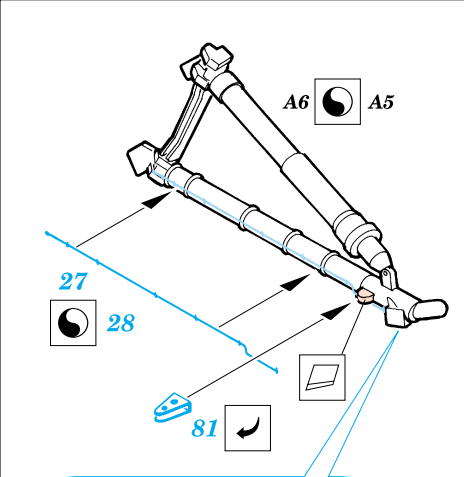
 PHOTO-ETCHED PARTS  
LEPTANÉ DÍLY

 PARTS TO BE REMOVED  
DÍLY K ODSTRANĚNÍ

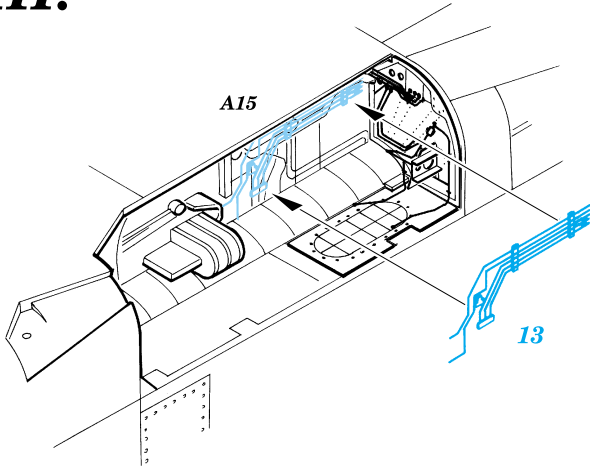
**REFERENCES:** Verlinden Publ. LOCK ON N°9 - A7D/K CORSAIR

The main assembly diagrams are divided into several sections:

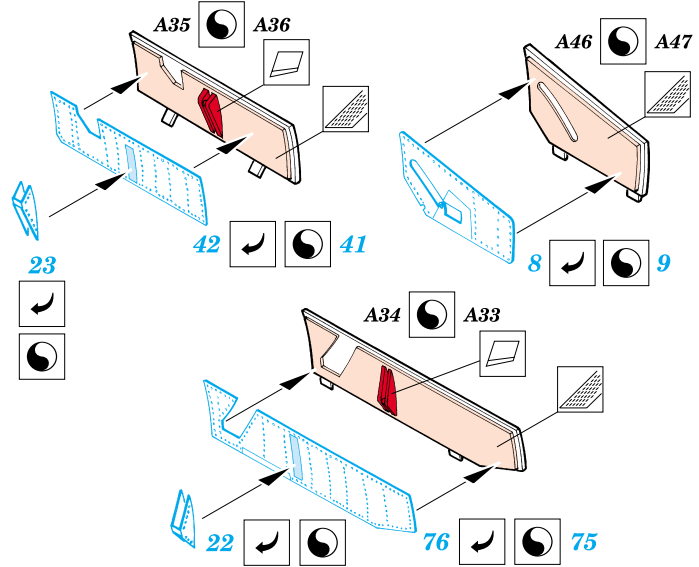
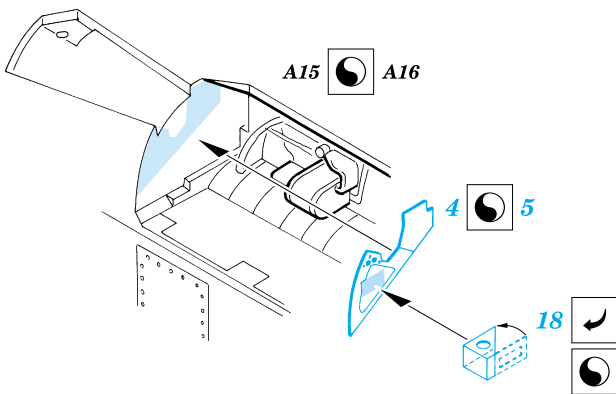
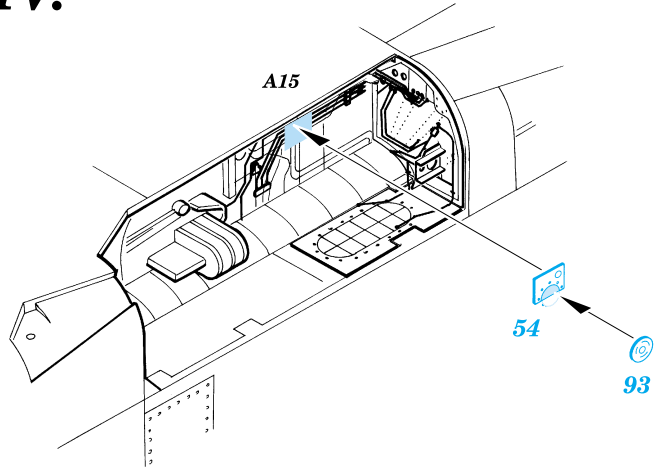
- Top Left:** Shows the installation of part 35 into the fuselage section A15.
- Top Middle:** Shows the assembly of the seat backrest A30 with parts 57, 58, 62, 63, and 78. Part 78 is a replaceable part (R).
- Top Right:** Shows the assembly of the seat base with parts 60, 61, 80, 89, and 108.
- Middle Left:** Shows the installation of the seat base A26 with parts 90 and 91. Part 91 is a photo-etched part.
- Middle Center:** Shows the seat assembly M1+M2+M3+L4 with parts 40, 60;63, 86, 101, 102, 103, and 39. Part 101 is a replaceable part (R).
- Middle Right:** Shows the installation of the seat base A32 with photo-etched parts 21.
- Bottom Left (I):** Shows the installation of the fuselage section A15 with parts 29, 30, A16, and 31. Part 32 is a symmetrical assembly part.
- Bottom Middle (II):** Shows the installation of the fuselage section A26 with parts 33, 34, 92, and 107.
- Bottom Right:** Shows the installation of the fuselage section E6 with parts 1, 38, and 38.



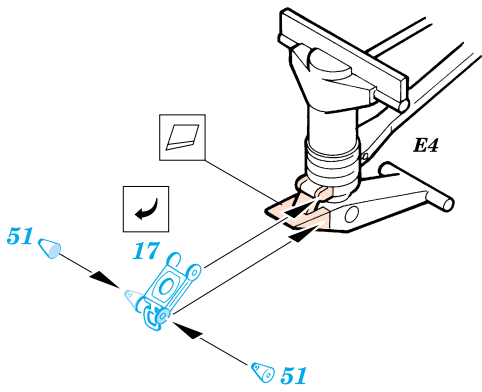
### III.



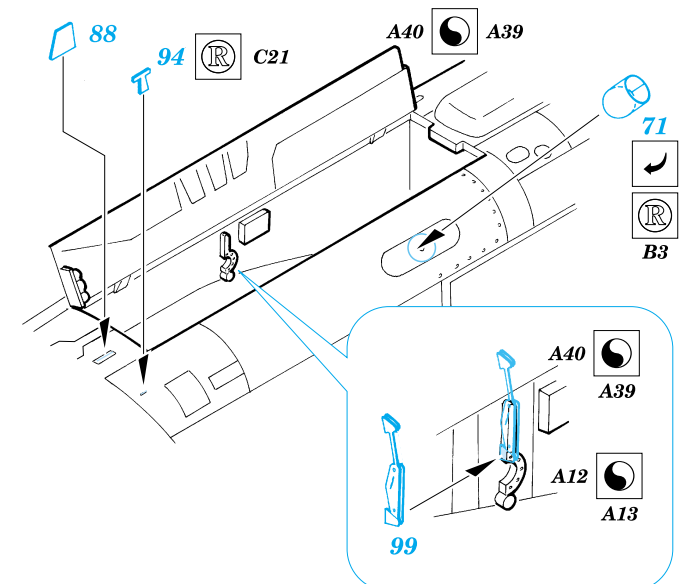
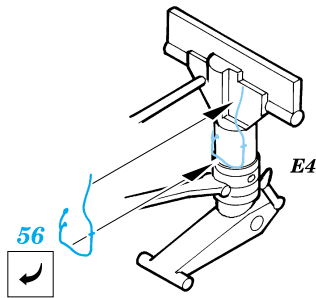
### IV.



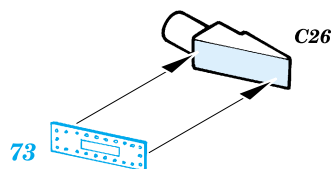
### I.



### II.



2 pcs



2 pcs

