

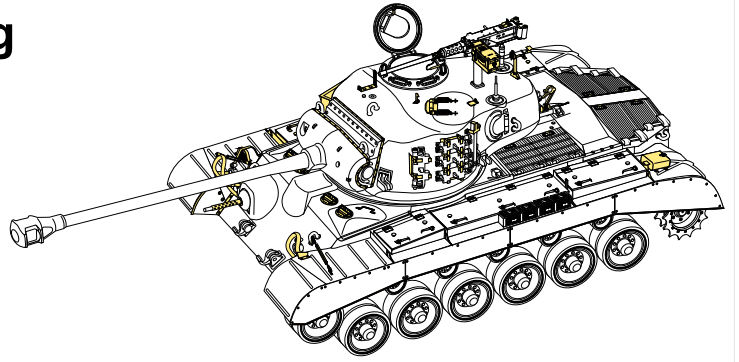
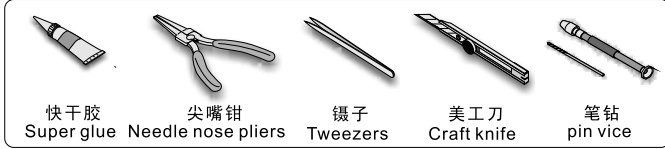
1/35 MILITARY MINIATURE VEHICLE UPGRADE SERIES PE35197

WWII US Army M26 Pershing Tank Basic

二战美军M26潘兴中型坦克改造件

[For TAMIYA 35254]

推荐使用工具 RECOMMENDED TOOLS



- 安装
install
- 折叠
bend
- A1**

改造件零件编号
PE/resin part number
- B12**

原零件编号
kit part number
- C22**

被替换的原零件编号
replaced kit part number
- 另一侧相同制作
repeat on opposite side
- 切除
remove
- 钻孔
drill
- 弧度卷曲
radial bending
- x2**

制作若干组
multiple assembly
- 选择安装
alternative
- 用铜管制作
make from brass tube
- 用胶棒制作
make from plastic rod

用尖端在凹槽处冲压
use penpoint to press on the dent

蚀刻片零件内朝向上
Put the part upside down

用笔尖在凹槽处刺
Use penpoint to press on the dent

a

b

c

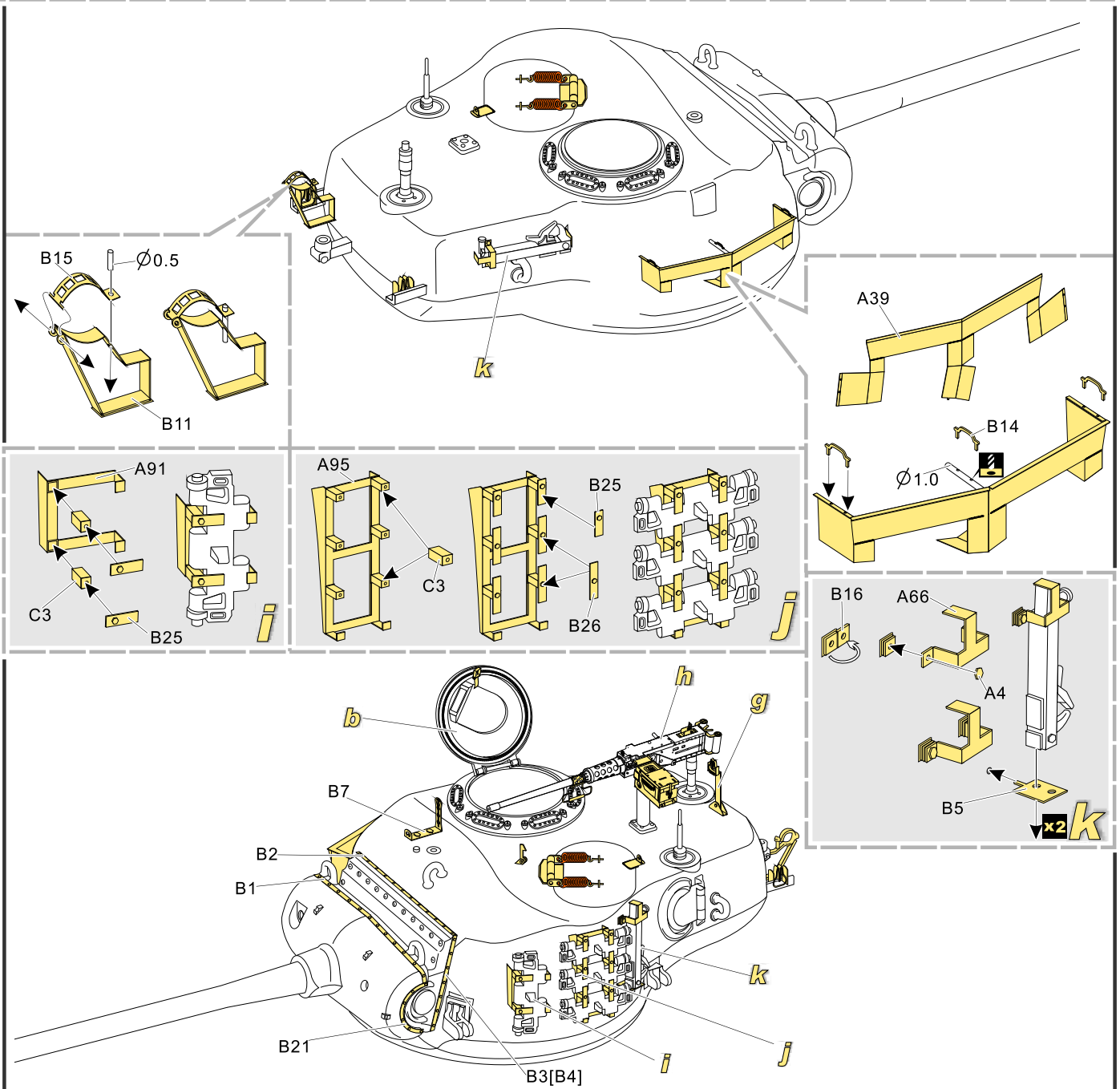
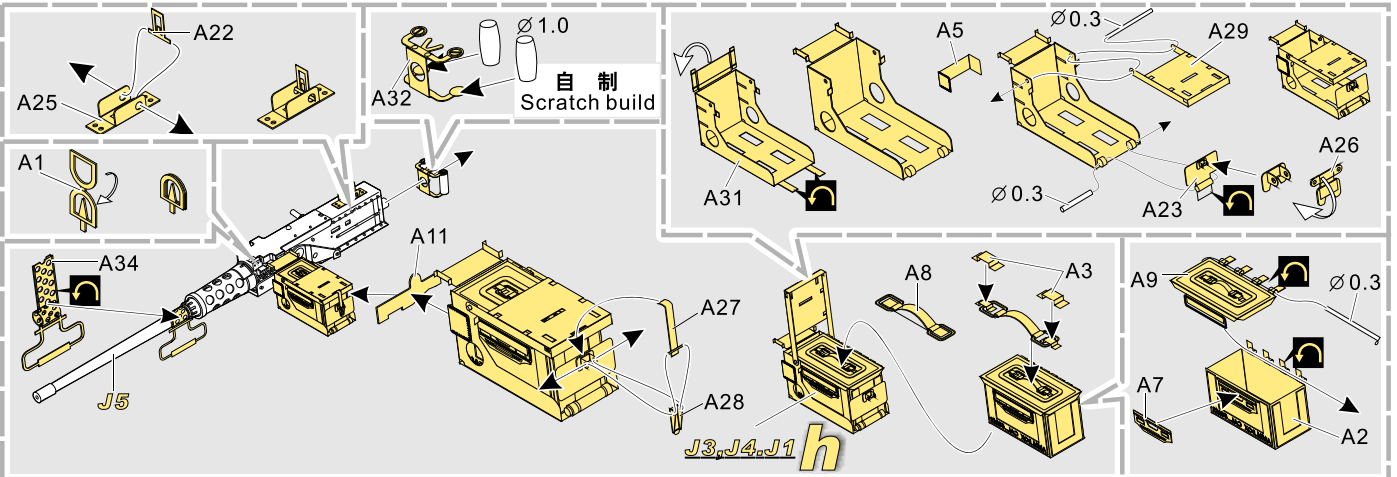
d

e

f

g

1/35 MILITARY MINIATURE VEHICLE UPGRADE SERIES PE35197



1/35 MILITARY MINIATURE VEHICLE UPGRADE SERIES PE35197

