

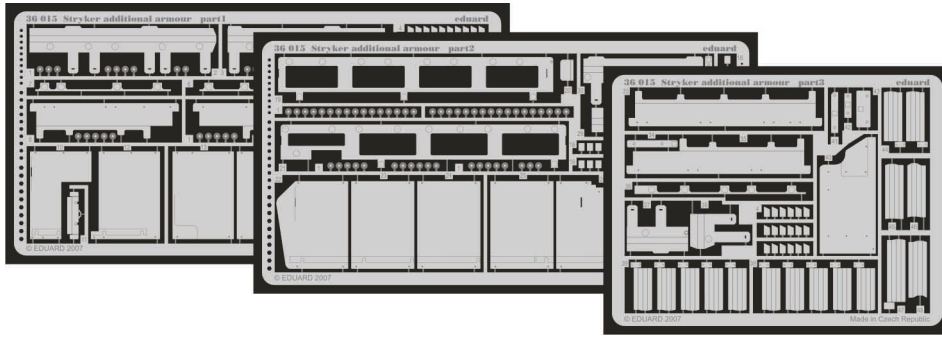


# Stryker additional armour

eduard

36 015

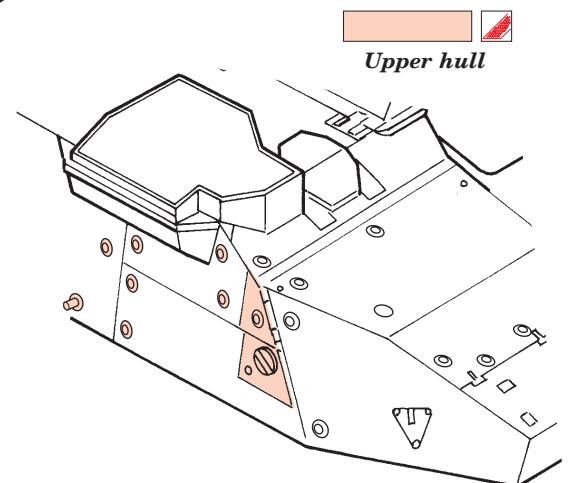
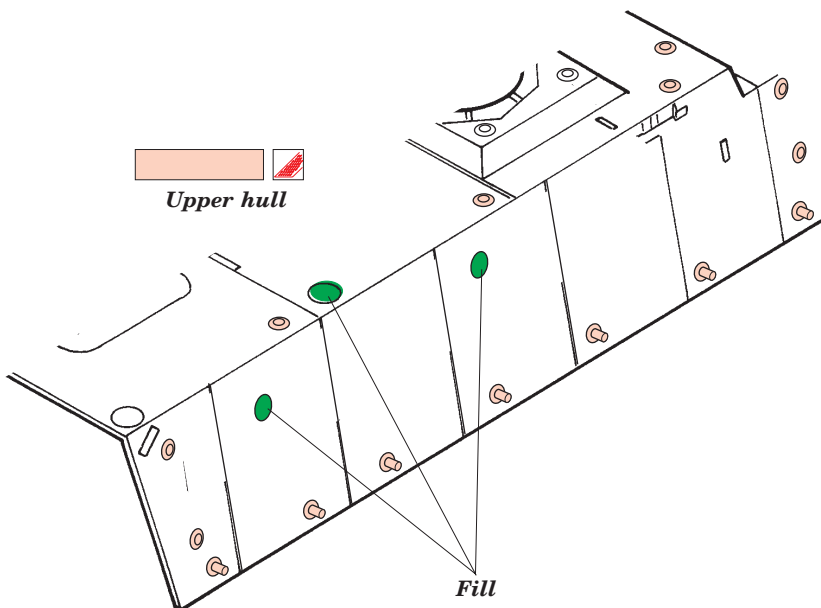
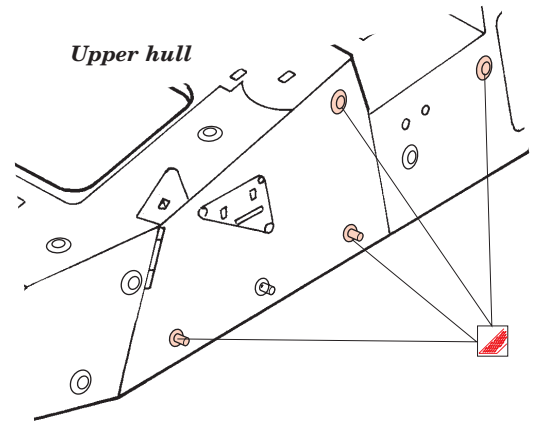
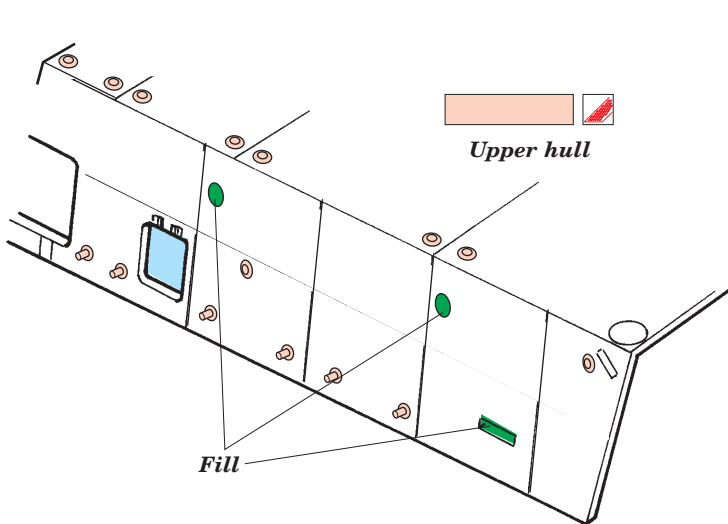
1/35 scale detail set for Trumpeter No.00375 • sada detailů pro model 1/35 Trumpeter 00375

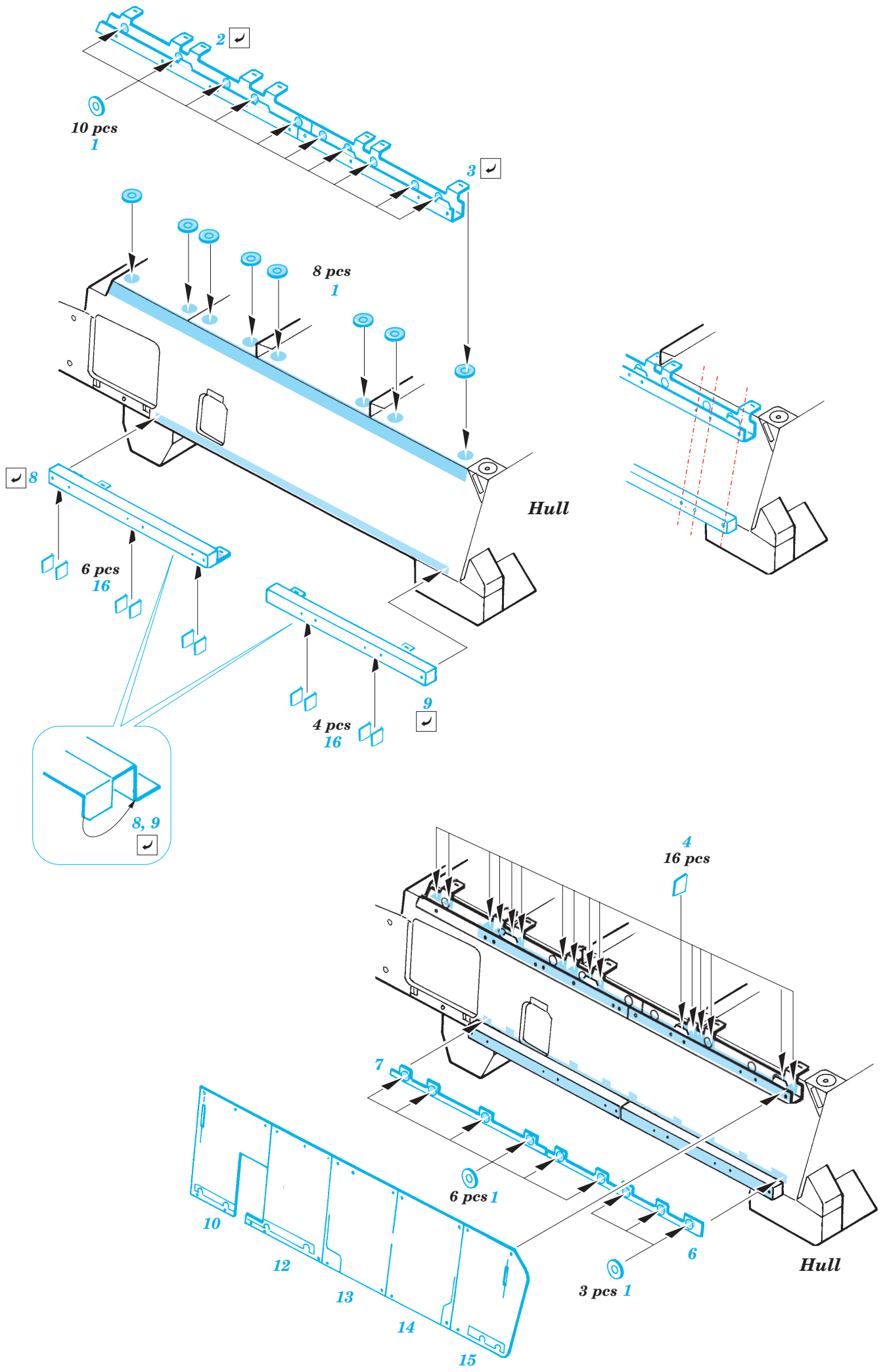


- ★ APPLY EXPRESS MASK AND PAINT BEFORE GLUING  
POUŽIT EXPRESS MASK NABARVIT PŘED SLEPENÍM
- ☉ SYMETRICAL ASSEMBLY  
SYMETRICKÁ MONTÁŽ
- ☐ REMOVE  
ODSTRANIT
- ☐ GRIND  
OBROUSIT
- ☐ DRILL HOLE  
VRTAT OTVOR
- ↪ BEND  
OHNOUT
- ❓ OPTION  
VOLBA
- Ⓜ REPLACE  
NAHRADIT

- ORIGINAL KIT PARTS  
PŮVODNÍ DÍLY STAVEBNICE
- PHOTO-ETCHED PARTS  
LEPTANÉ DÍLY
- PARTS TO BE REMOVED  
DÍLY K ODSTRANĚNÍ
- FILL  
TMELIT

**For further detail sets look for eduard 35 982 M-1126 Stryker ICV, 35 991 Stryker Mounted rack and belts, 35 995 Stryker SLAT Armor, 36 001 Stryker storage belts and TP 096 Stryker exhaust deflector (not included in this set)**





**A**

Eduard 35 982, part No. 90  
Correct position for SLAT Armor

**B**

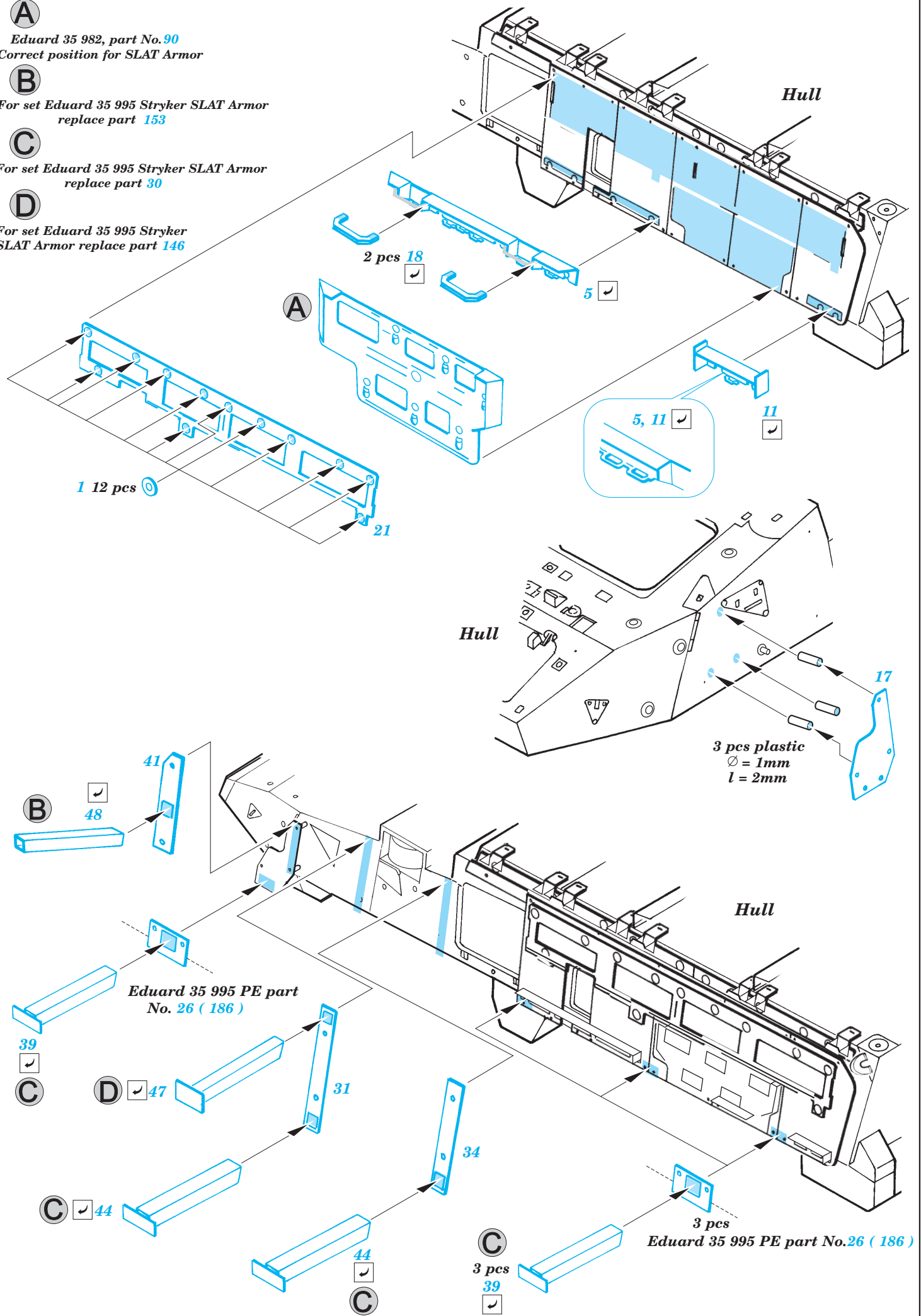
For set Eduard 35 995 Stryker SLAT Armor  
replace part 153

**C**

For set Eduard 35 995 Stryker SLAT Armor  
replace part 30

**D**

For set Eduard 35 995 Stryker  
SLAT Armor replace part 146



Hull

2 pcs 18

5

**A**

1 12 pcs

21

5, 11

11

Hull

3 pcs plastic  
Ø = 1mm  
l = 2mm

17

Hull

Eduard 35 995 PE part  
No. 26 ( 186 )

3 pcs  
Eduard 35 995 PE part No.26 ( 186 )

3 pcs

39

**C**

44

**C**

44

**C**

31

34

**D**

47

**C**

39

**C**

48

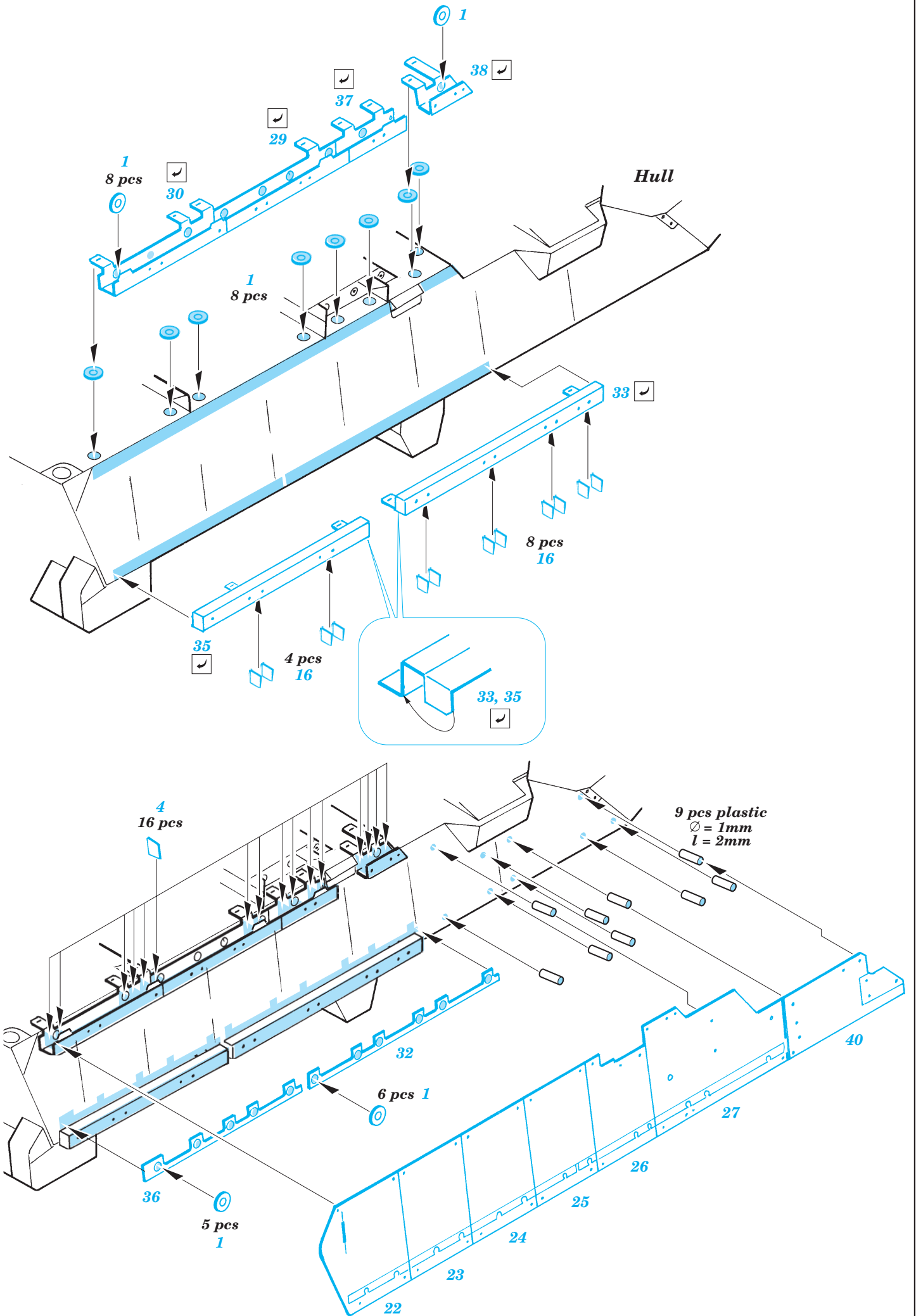
**B**

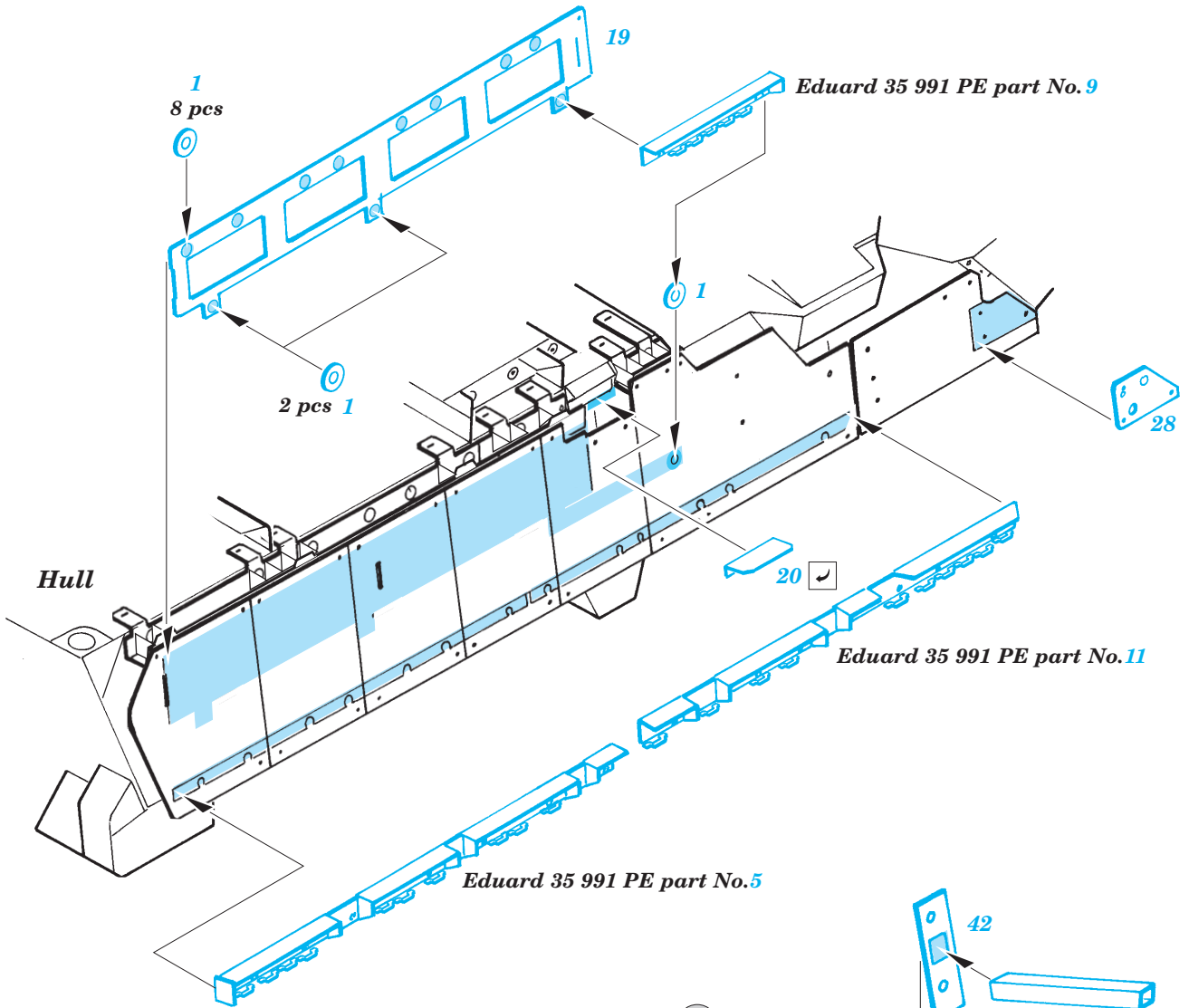
41

**B**

48

**B**





**E**

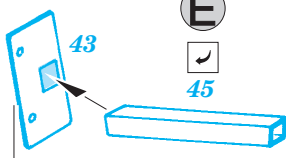
For set Eduard 35 995 Stryker SLAT Armor  
replace part 17

**F**

For set Eduard 35 995 Stryker SLAT Armor  
replace part 16

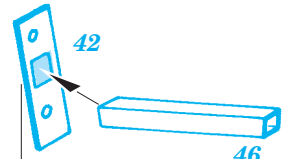
**E**

45

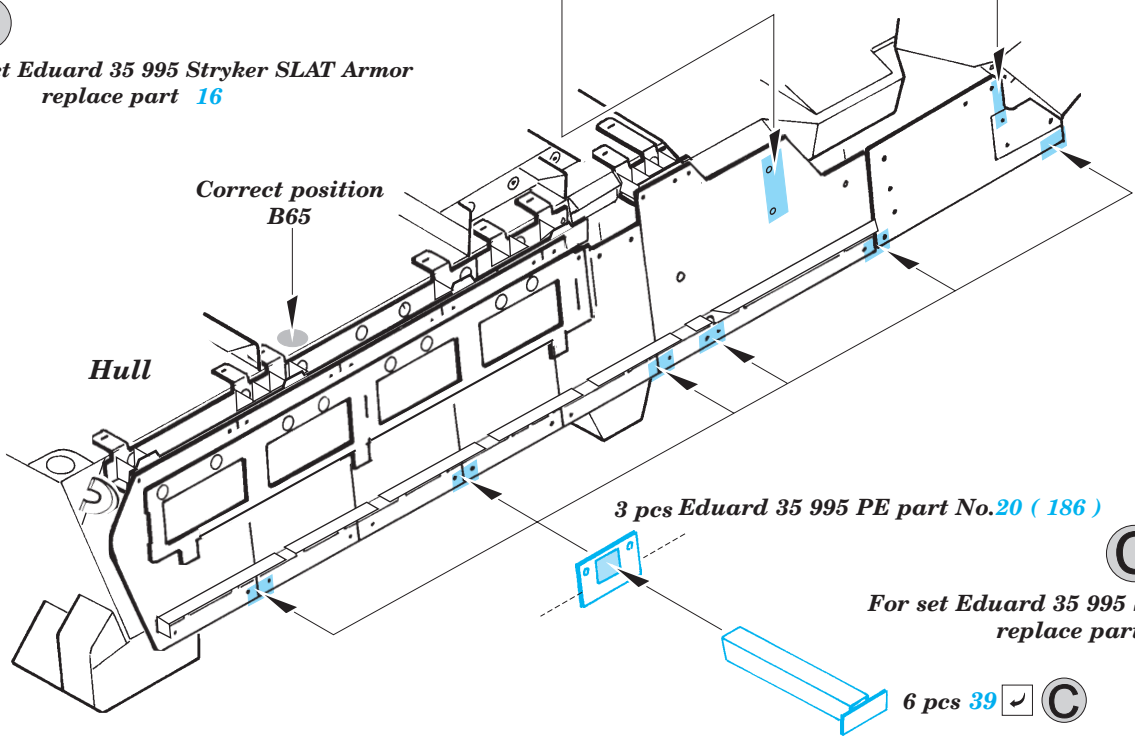


46

**F**



Correct position  
B65



**C**

For set Eduard 35 995 Stryker SLAT Armor  
replace part 30

6 pcs 39 **C**