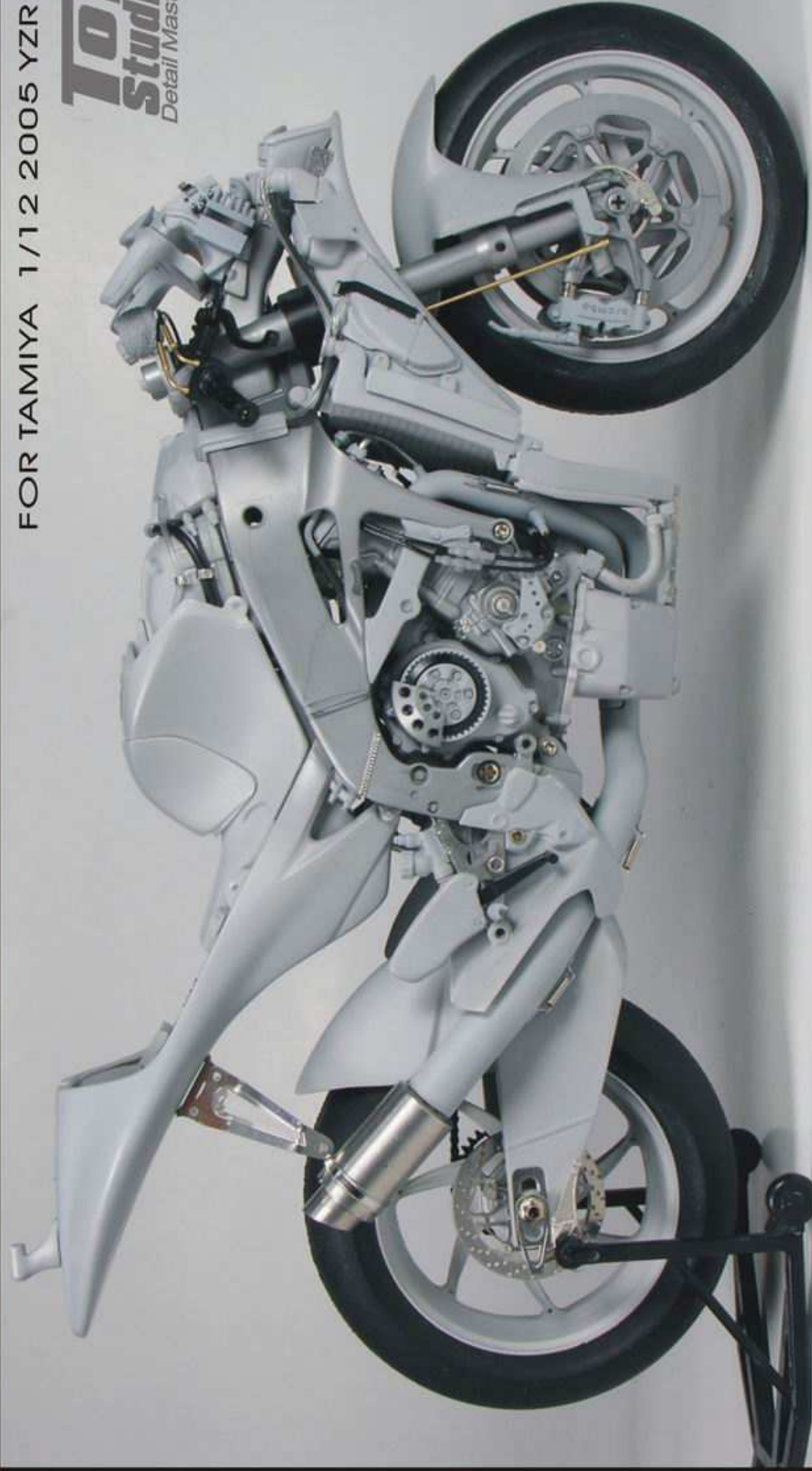


# 2009 YZR M1

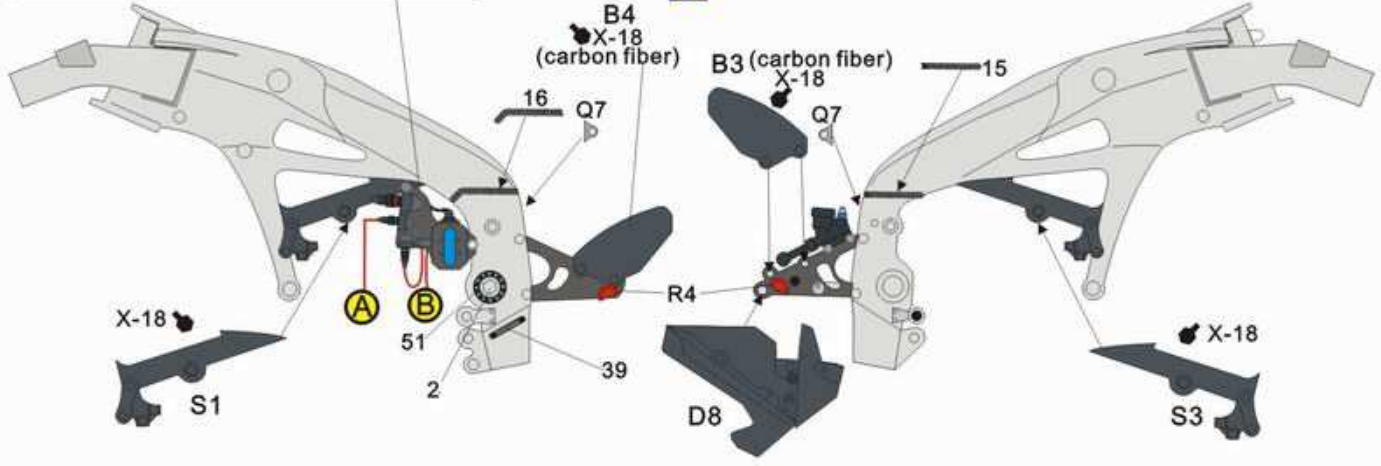
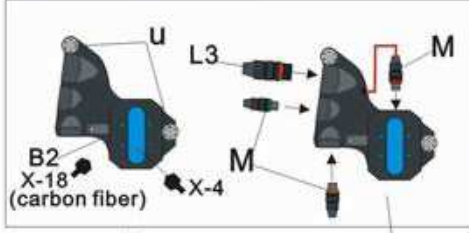
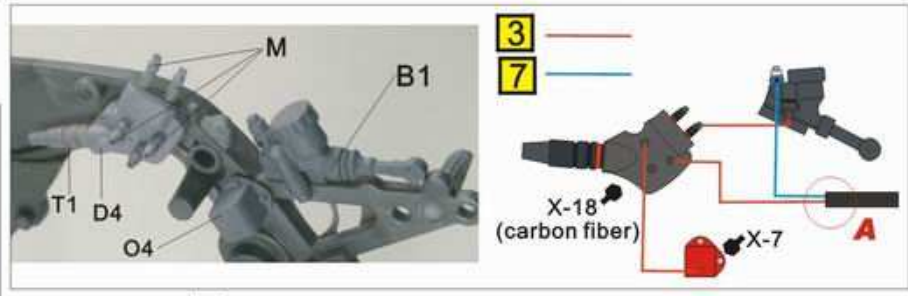
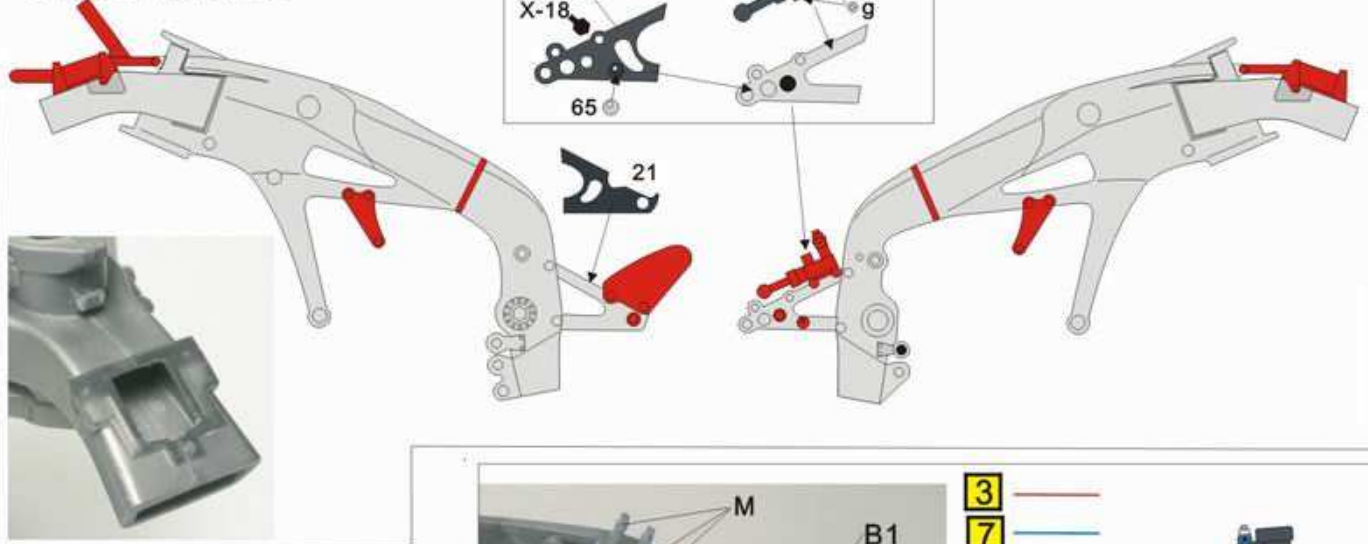
1/12 09 YZR M1 Super Detail Set

FOR TAMIYA 1/12 2005 YZR M1

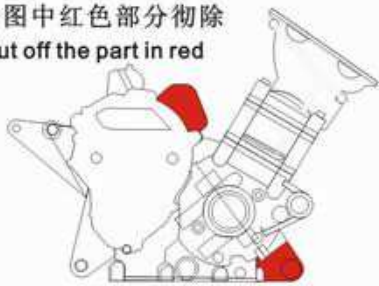
**TOP**  
**Studio**  
Detail Master



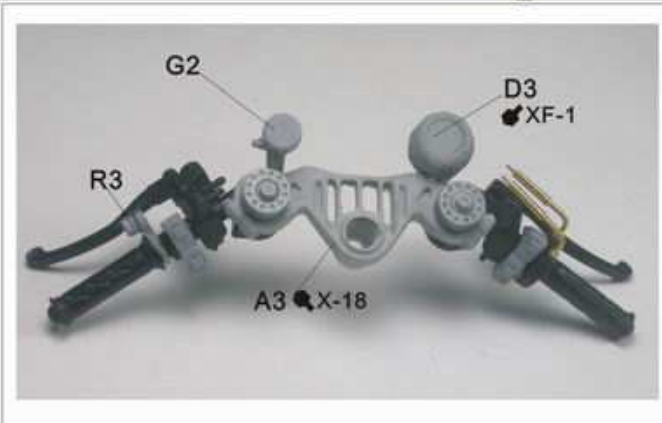
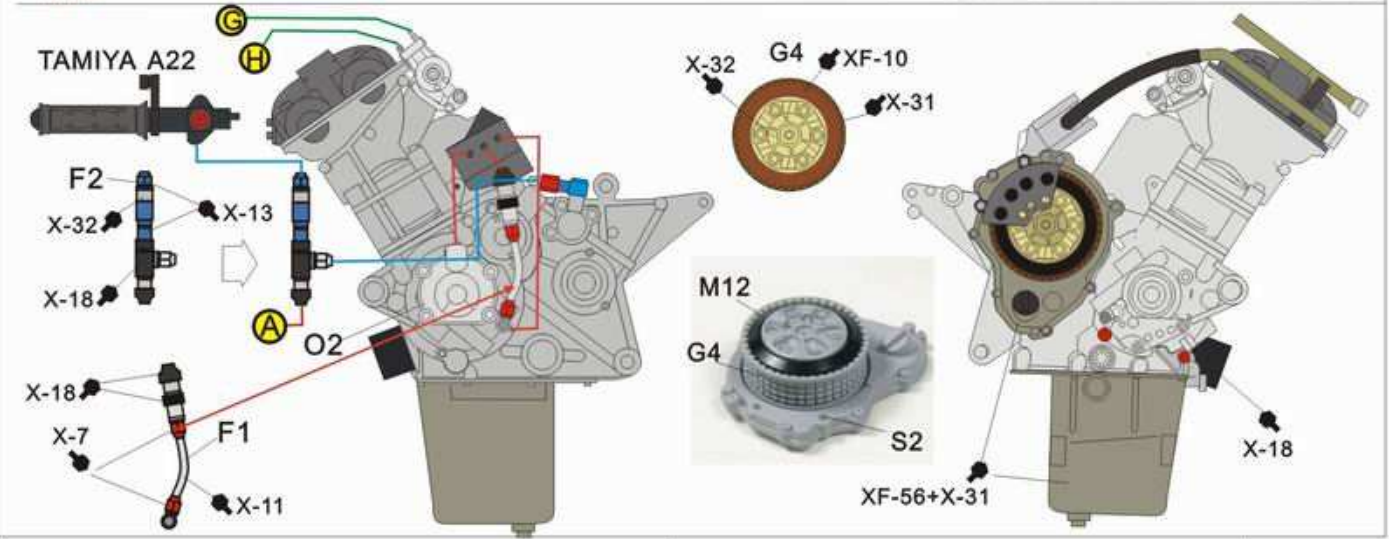
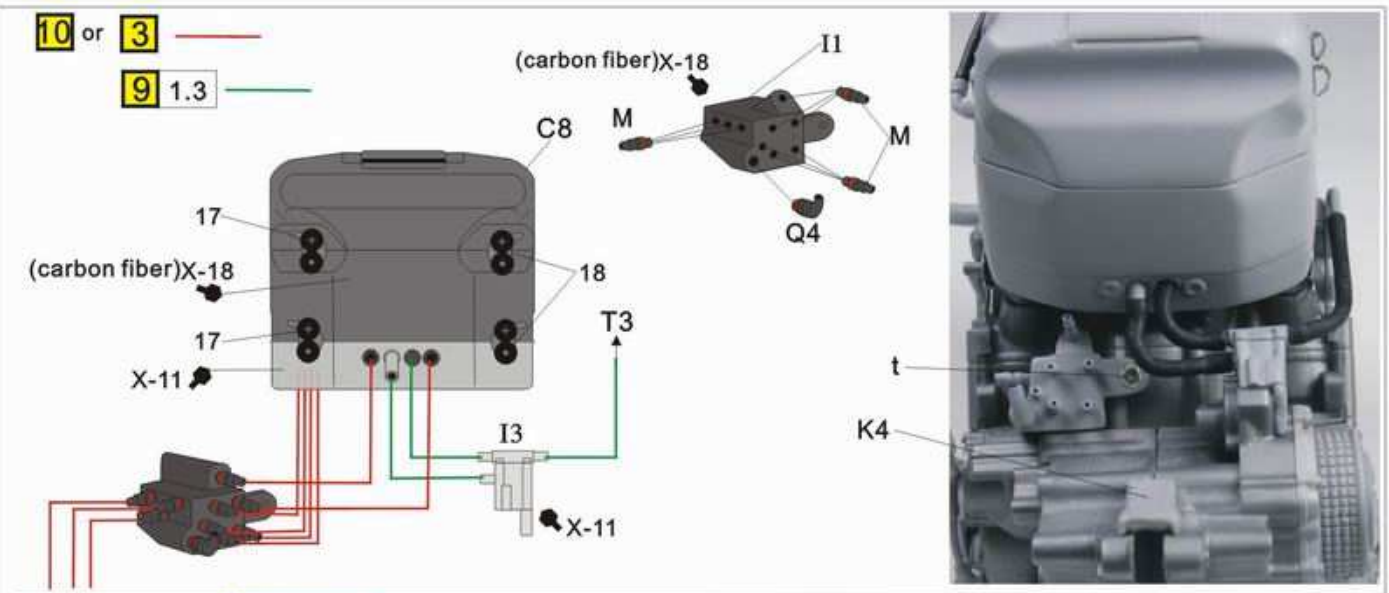
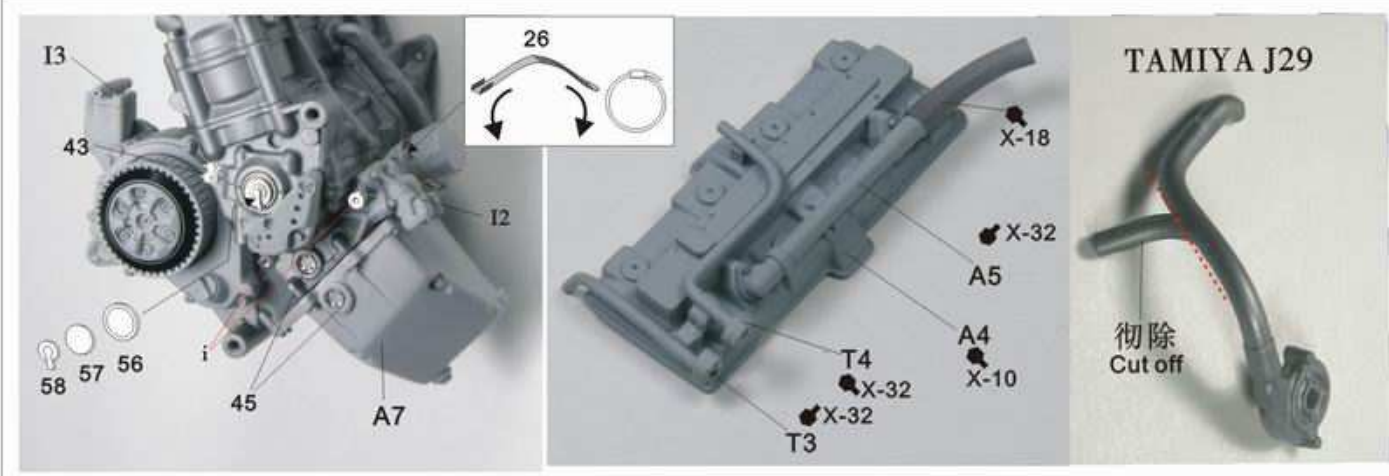
将图中红色部分切除  
Cut off the part in red



将图中红色部分切除  
Cut off the part in red

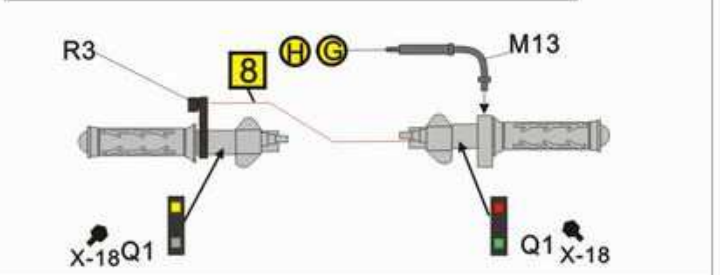




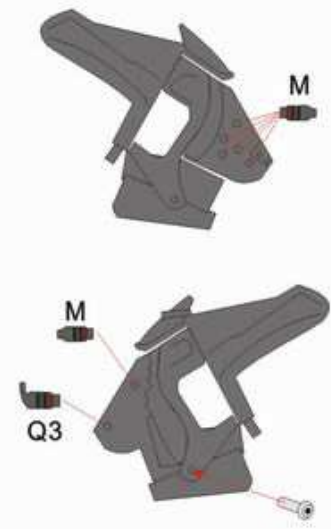
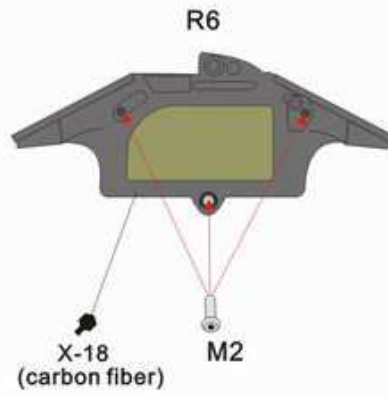
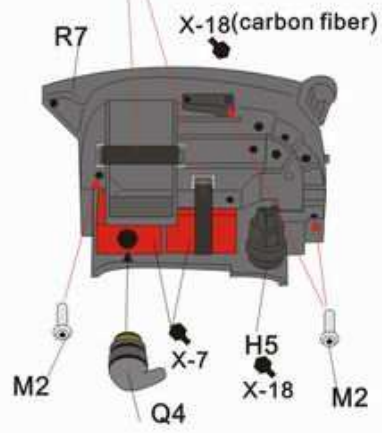


将图中红色部分切除  
Cut off the part in red

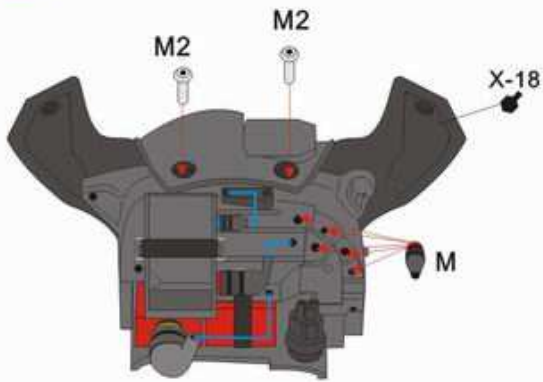
TAMIYA A23



黑色膠貼 Black band  
48 ← → 48

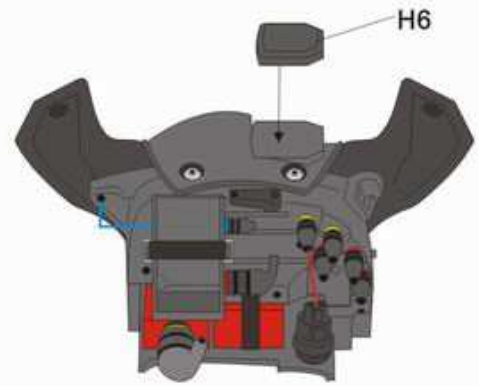


8

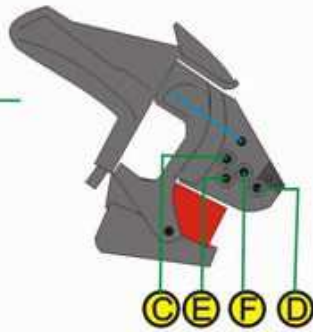


8

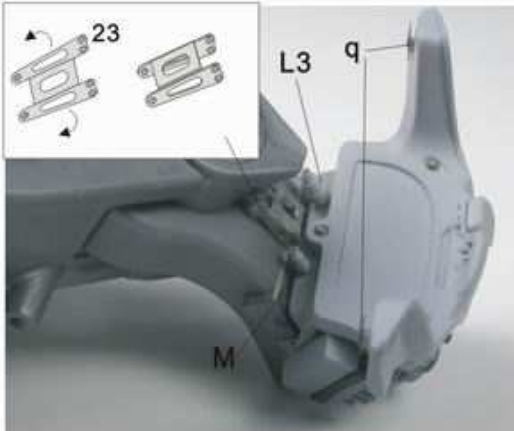
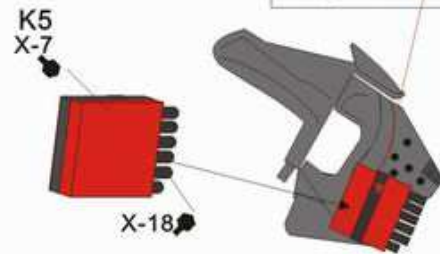
3



10.4

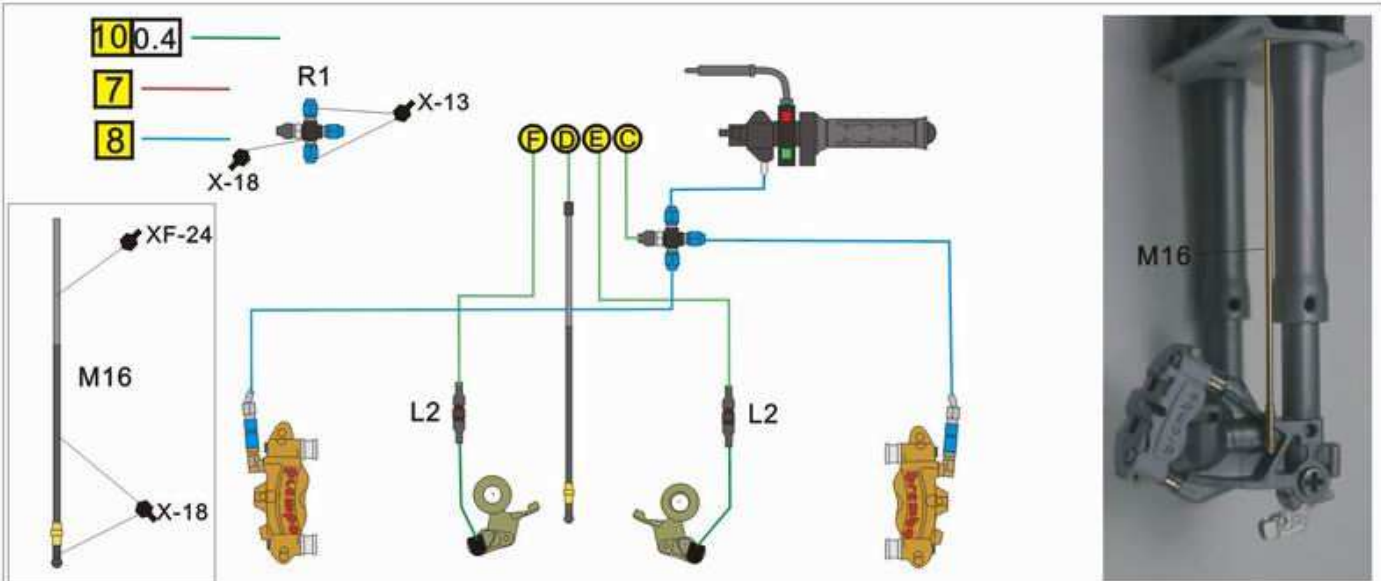
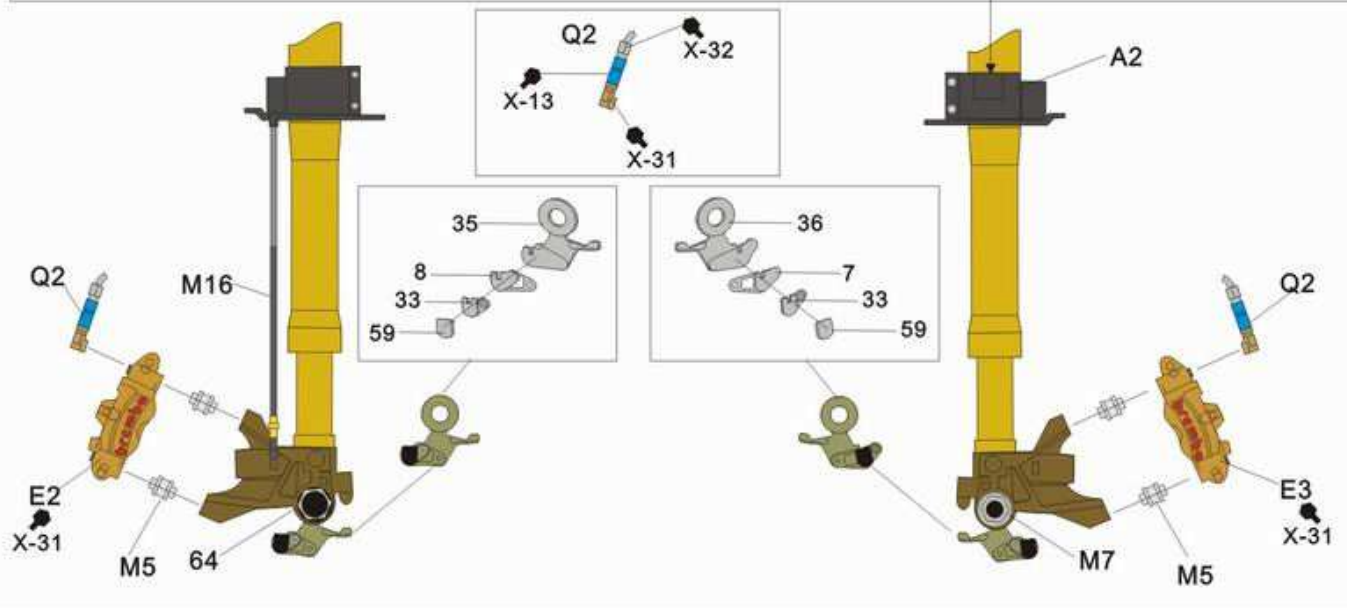
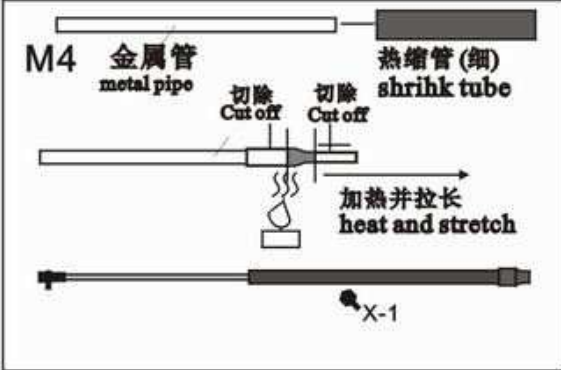


黑色膠貼 Black band  
48 ← → 48

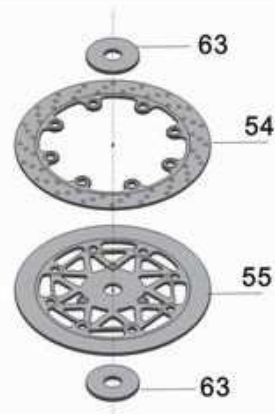
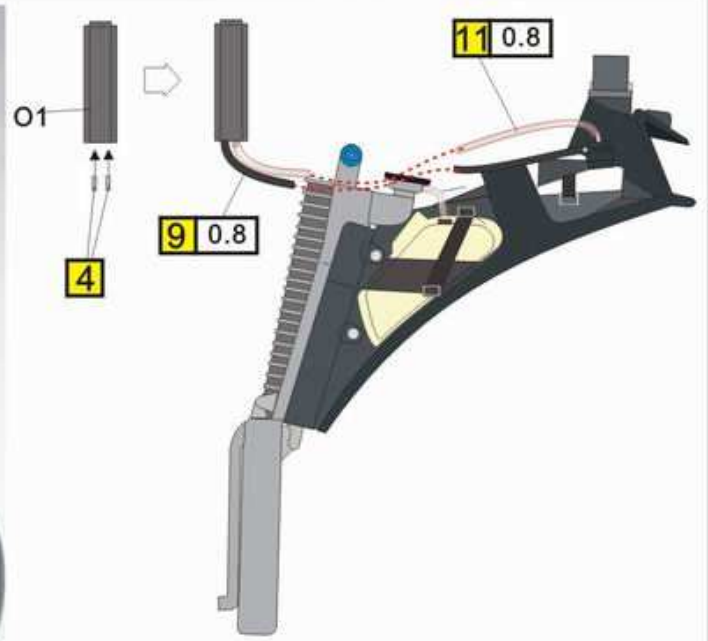
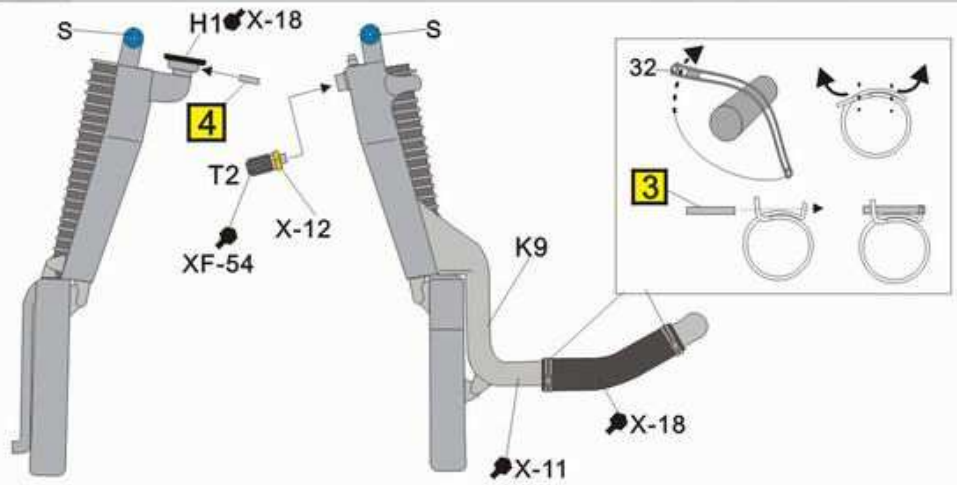
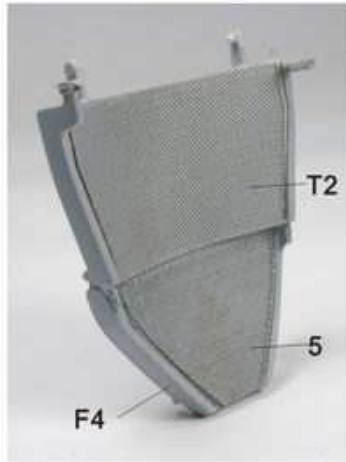
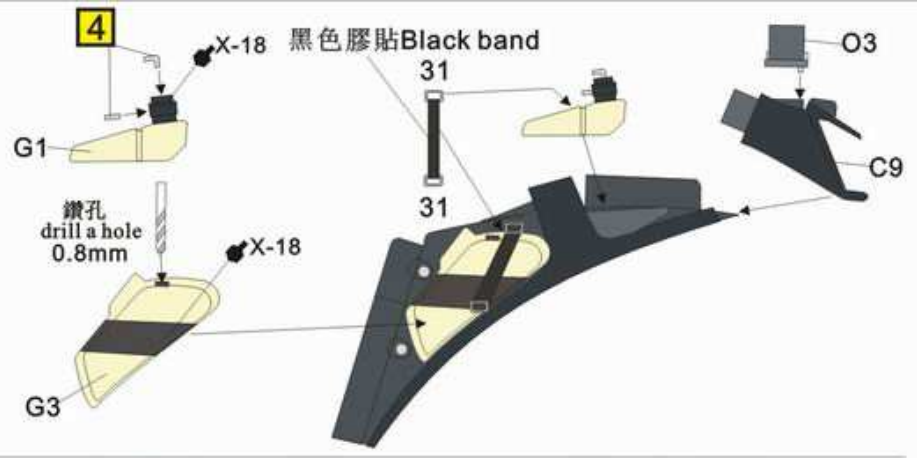
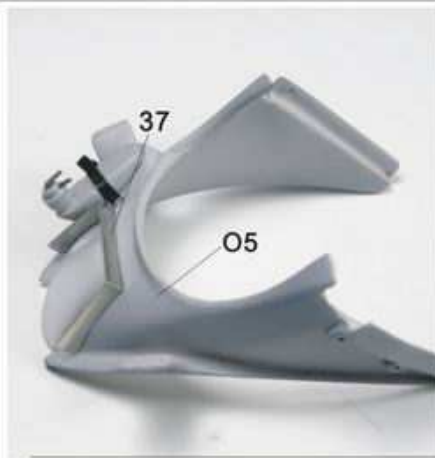


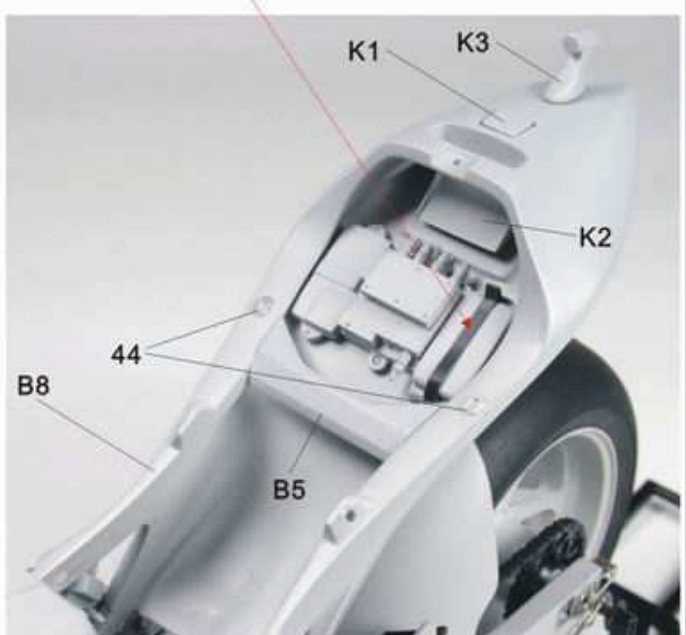
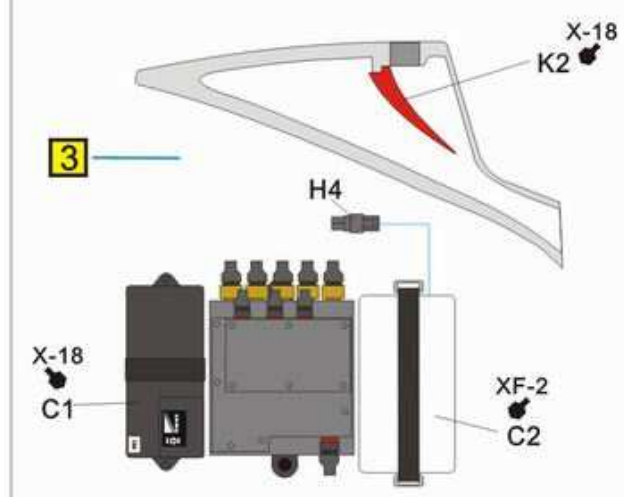
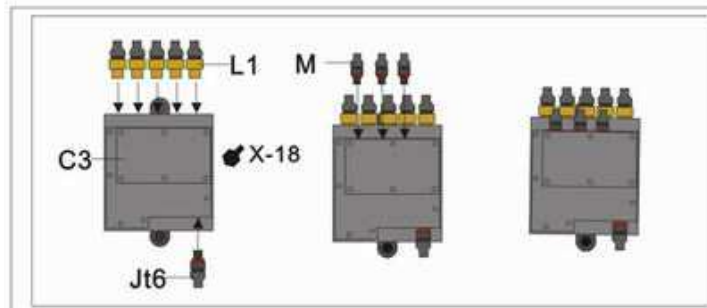
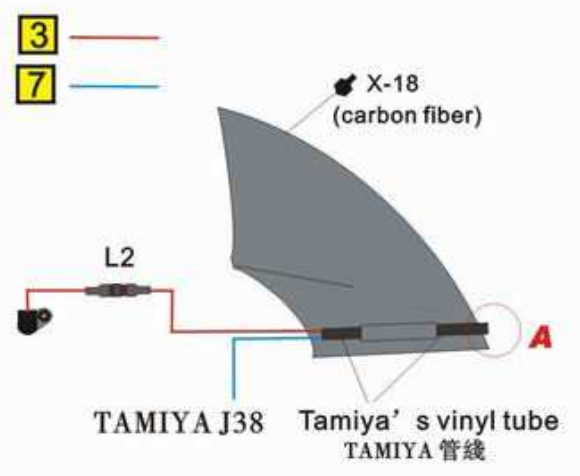
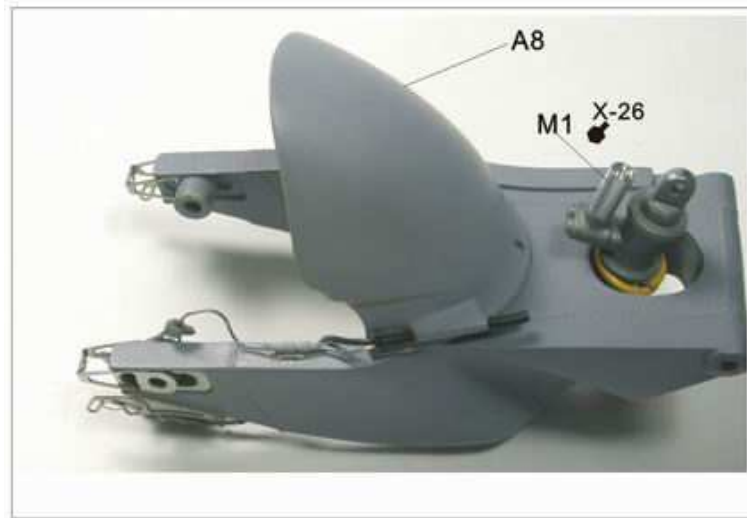
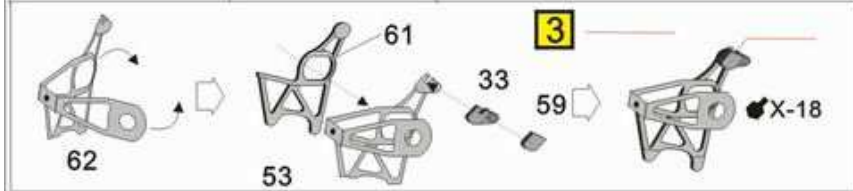
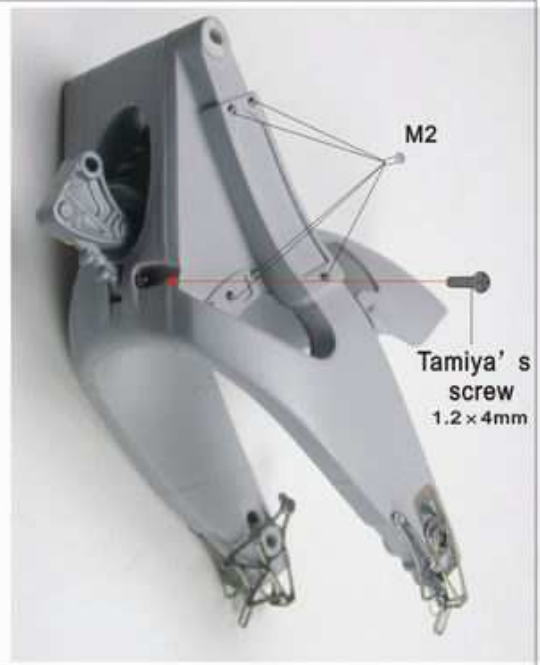
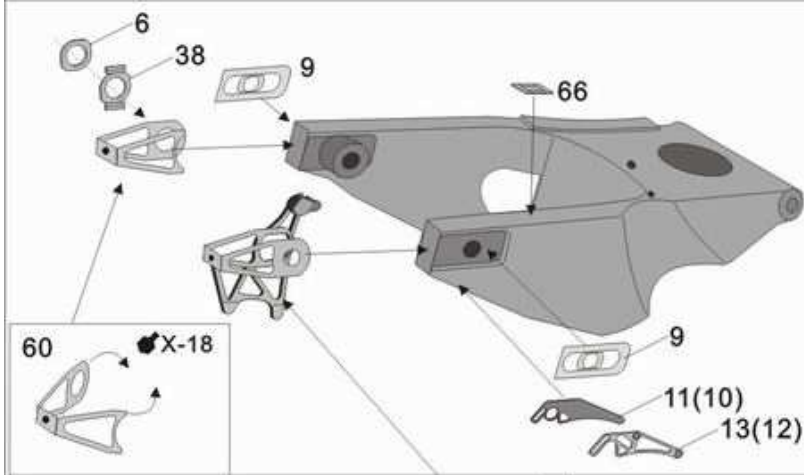


Sensor

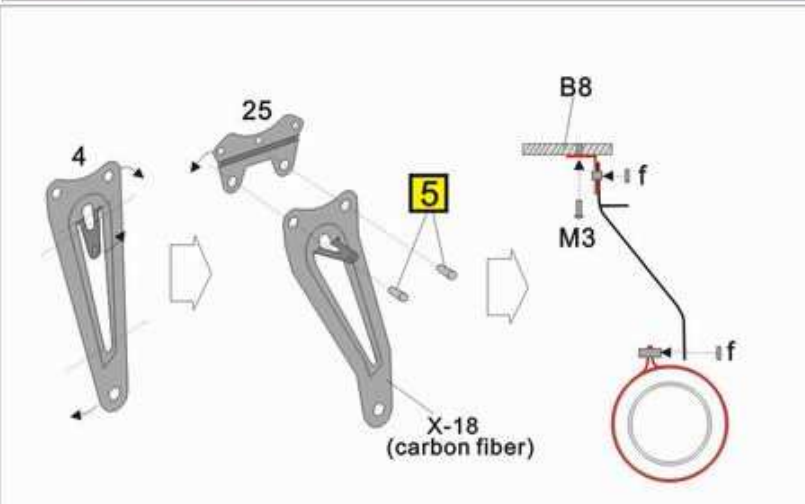
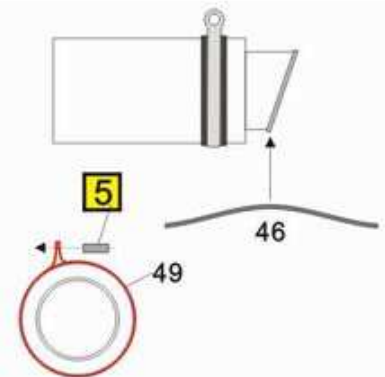
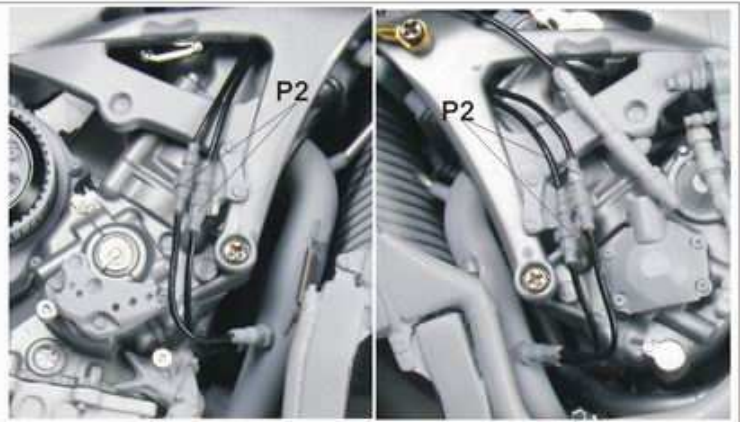
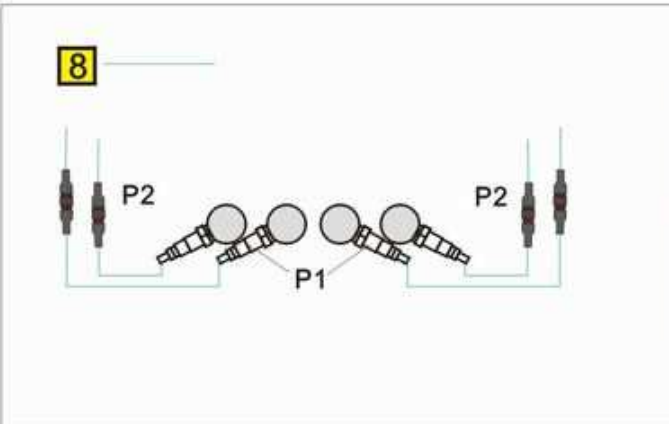
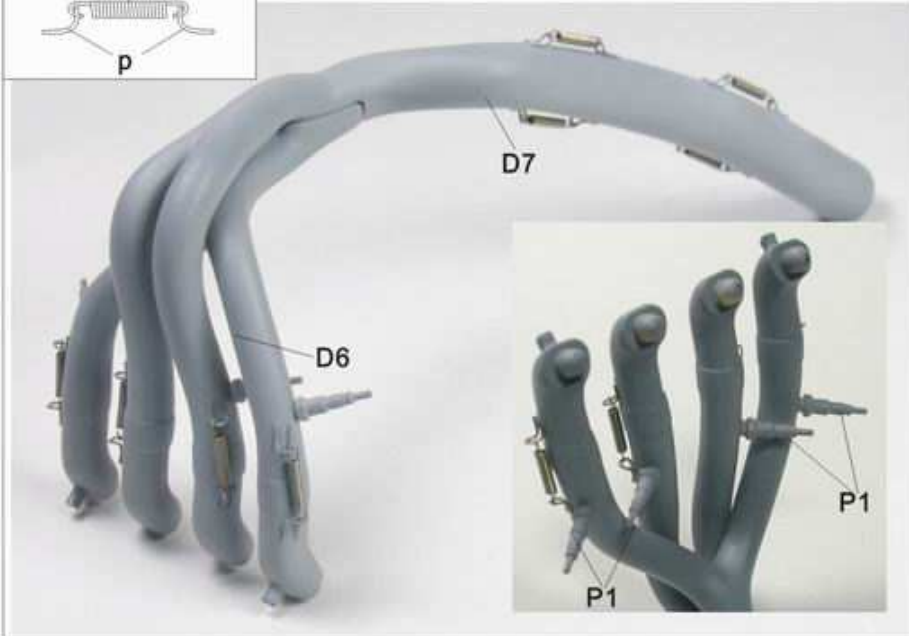
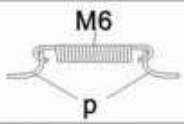




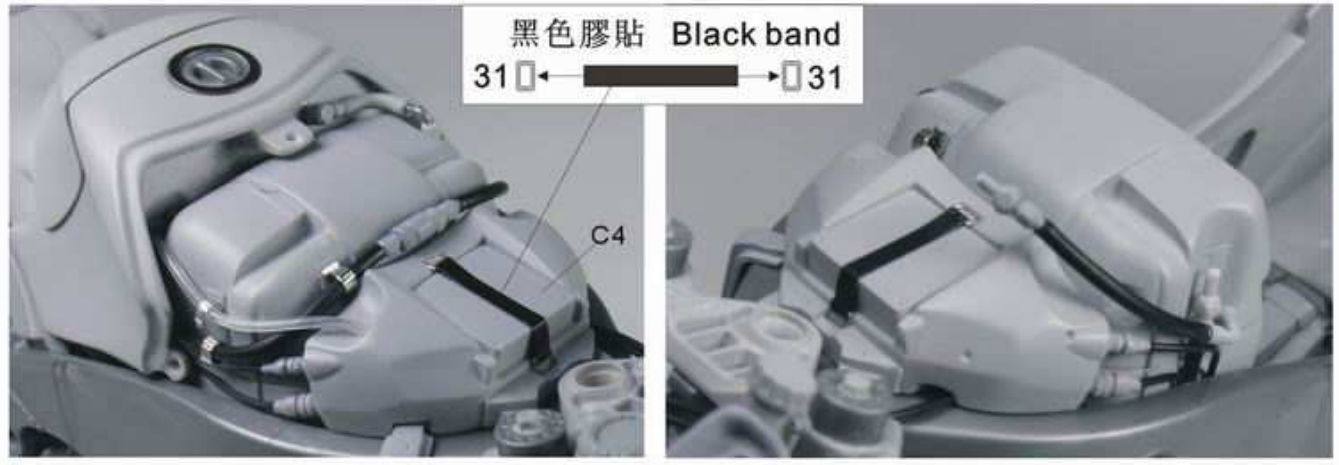
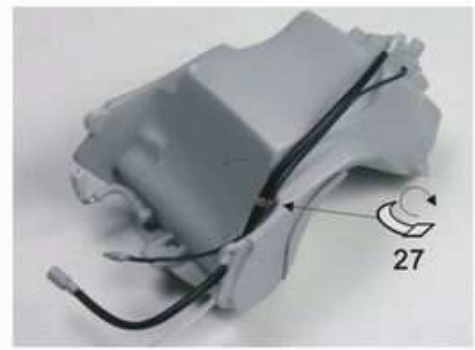
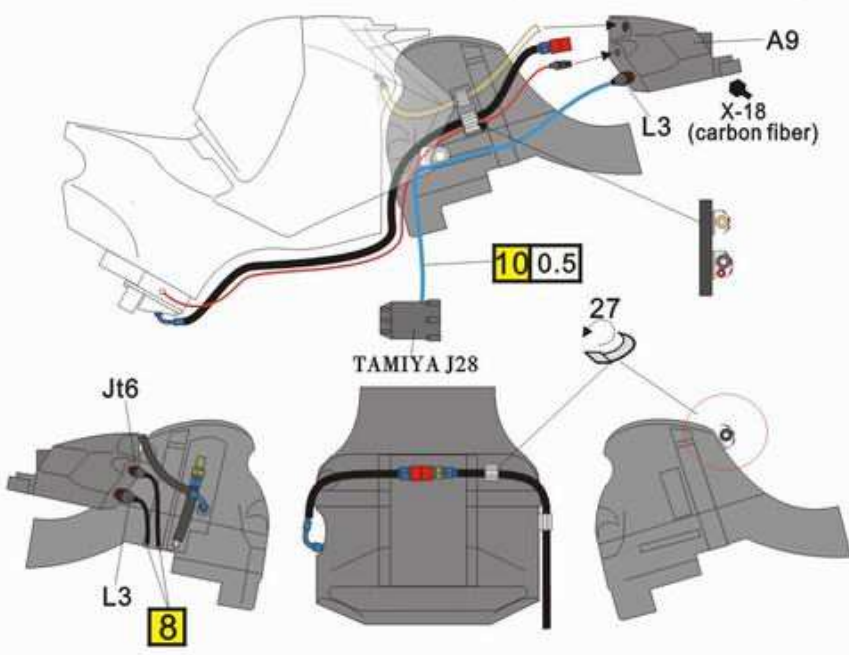
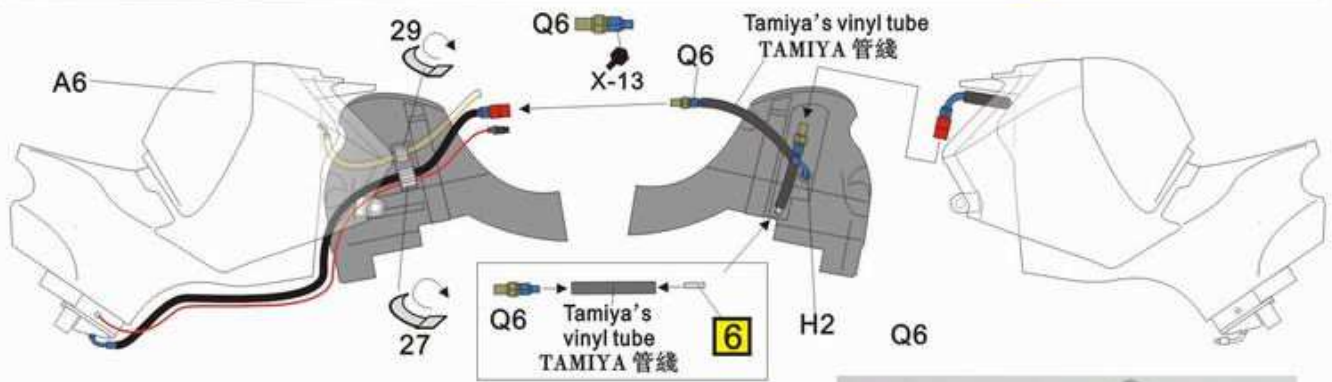
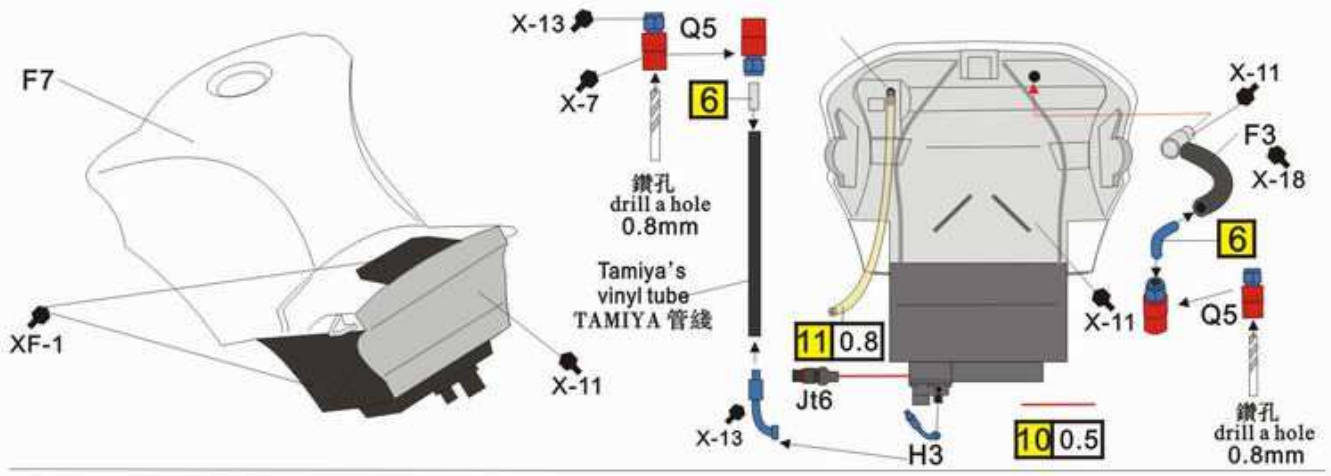


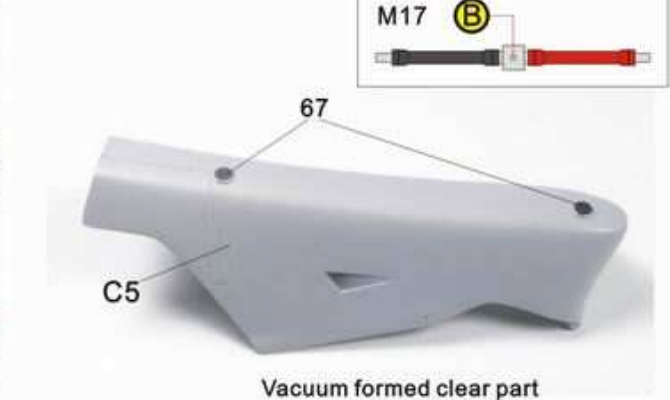
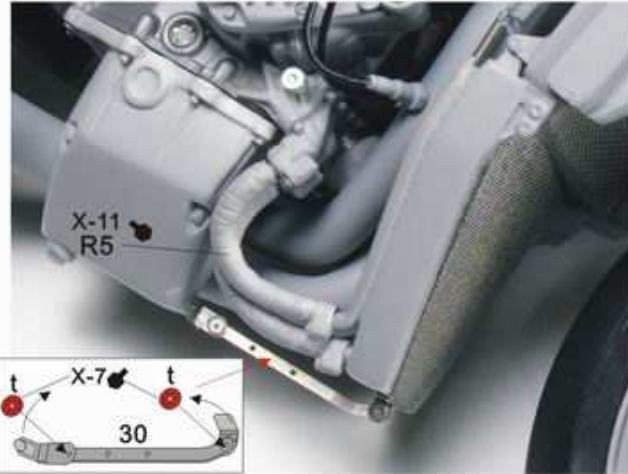
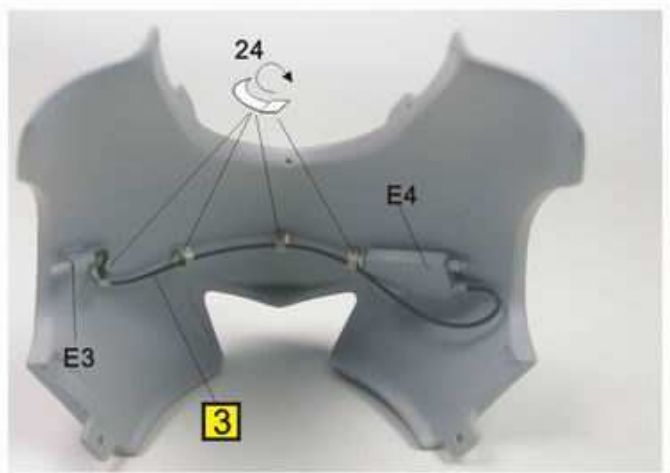




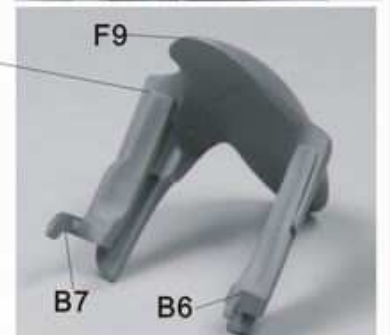











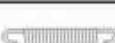


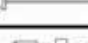





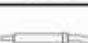




Vacuum formed clear part  
透明吸塑





金屬部件  
Metal Parts

	Reservoir tank	M1 × 1
	Rivets 0.9mm(a)	M2 × 20
	Rivets 0.9mm(b)	M3 × 10
	Sensor	M4 × 1
	Caliper spacers	M5 × 4
	Muffler Springs	M6 × 12
	Hex Nuts	M7 × 2
	Screws 1.2mm	M8 × 10
	Air Valves	M9 × 2
	Steering damper inner shaft	M10 × 1
	Exhaust pipe	M11 × 1
	part for clutch	M12 × 1
	Cable tensioner	M13 × 2
	part for damper (Gold)	M14 × 1
	part for damper (Copper)	M15 × 1
	Sensor	M16 × 1
	Shift linkage	M17 × 1

配線wire:

編號 number	規格 specification	數量 Quantity
1	細金屬線 thin metal wire	× 1
2	0.2mm金屬線 0.2mm metal wire	× 1
3	0.3mm 錫線 0.3mm solder line	× 1
4	0.5mm 錫線 0.5mm solder line	× 1
5	0.8mm 錫線 0.8mm solder line	× 1
6	0.6mm 錫線 0.6mm solder line	× 1
7	0.5mm 黑色電線 0.5mm black wire	× 1
8	0.6mm 黑色電線 0.6mm black wire	× 1
9	黑色熱縮管(粗) Black shrink tube(thick)	× 3
10	黑色熱縮管(細) Black shrink tube(thin)	× 3
11	透明熱縮管 clear shrink tube	× 2

蝕刻片A × 1 Photo-etched plate A × 1  
 蝕刻片B × 1 Photo-etched plate B × 1  
 蝕刻片C × 1 Photo-etched plate C × 1

其他部件:

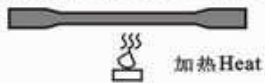
Other parts 水貼紙 Decals sheet × 1  
 黑色膠貼 Black band × 1  
 鋁箔貼紙(用于制作隔熱層), × 1  
 metal foil sticker (using as heat shield)  
 透明吸塑 Vacuum formed clear part × 1

Using the shrink tube:

熱縮管使用:

1. 將熱縮管均勻加熱，加熱後，熱縮管收縮(此時為收縮的最大直徑)

1. heat the shrink tube evenly, it will be shrunk (the tube now in the largest diameter)



2. 待2秒後，將熱縮管拉長，可得到更小的線徑，拉伸越長，線徑越小。

2. after 2 seconds, stretch the tube, it will be smaller in diameter when stretch more



熱縮管 Shrink tube	加工範圍 Size
黑色管(細) Black (thin)	1.0mm~0.4mm
黑色管(粗) Black (thick)	1.3mm~0.5mm
透明管 Clear	1.5mm~1.0mm

圖例:

9 0.6

表示將熱縮管加工到大約0.6mm:  
Stretch the shrink tube to about 0.6mm diameter

接線參考圖  
Wiring diagram

