

ASLAV-PC PHASE 3

澳大利亚ASLAV-PC装甲运输车

READ BEFORE ASSEMBLY:

- Study and understand these instructions thoroughly before beginning assembly
- When needed, remove photo-etch parts carefully using a modeling knife or photo etch sprue cutter, being careful not to damage or lose small parts.
- Take extra care in handling photo etch parts in order to avoid injury
- Apply instant cement sparingly to photo etch parts where instructed
- Tools recommended(not included in kit):Plastic and instant cements, sprue cutters,long nose pliers,modeling knife, small files, tweezers, pin vise & scissors. Soft cloth and sandpaper will also assist in construction
- Glue and paint are not included in the kit. Use plastic cement and hobby paints only. Color guide for purchasing paint is included in the kit.

装配之前仔细阅读

- 小心用模型锉刀锉平所有零件表面的注射浇口。
- 小心用刀片切下蚀刻片零件，不要遗失小零件。
- 用强力快干胶水粘合蚀刻片零件和金属轴。过量快干胶水使用可能导致可动零件会粘住，小心涂胶。
- 取蚀刻片时应特别注意安全，防止利边划伤手指。
- 某些零件表面需贴水上贴纸，请选择在装配的同时进行。
- 推荐模型工具(自备)：胶水，水口剪刀，长咀钳，刀片，锉刀，镊子，钳，钻，剪刀，瞬间快干胶。
- 软布同砂纸同时也应该是必备工具。
- 请使用塑料胶水和油漆，模型内不含。



配重
Weight



使用强力胶
Cyanoacrylate glue



钻孔
Make hole



切除
Cut / Remove



贴纸
Decal



锉平
File / Sand



选择
Option



不涂胶水
No cement



弯曲
Bend

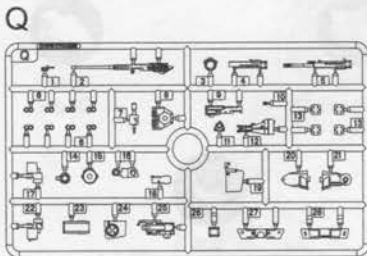
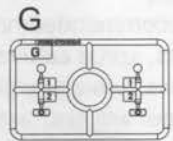
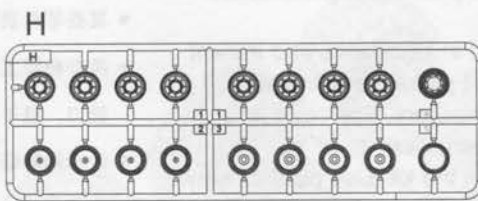
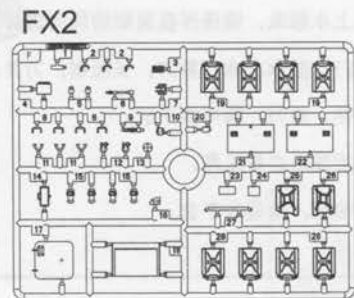
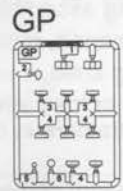
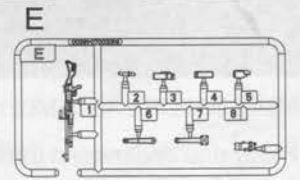
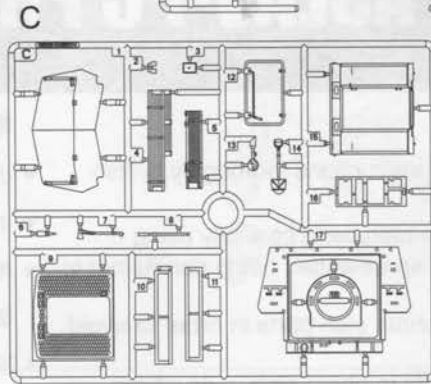
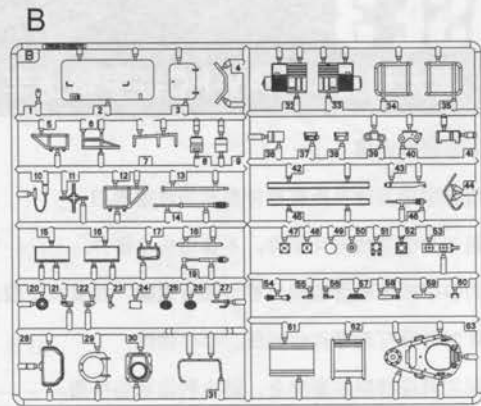
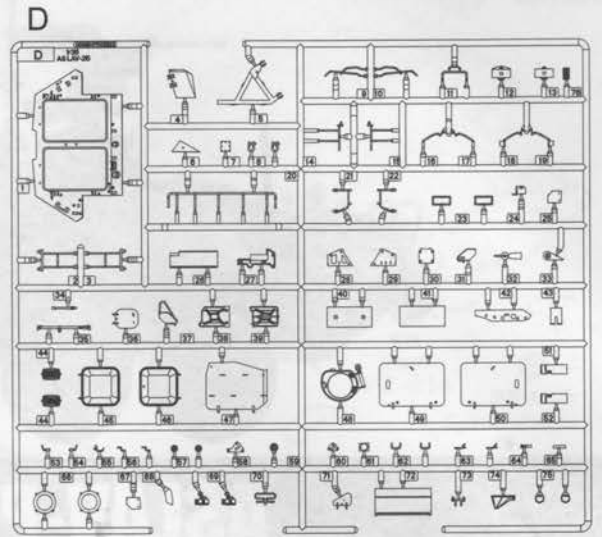
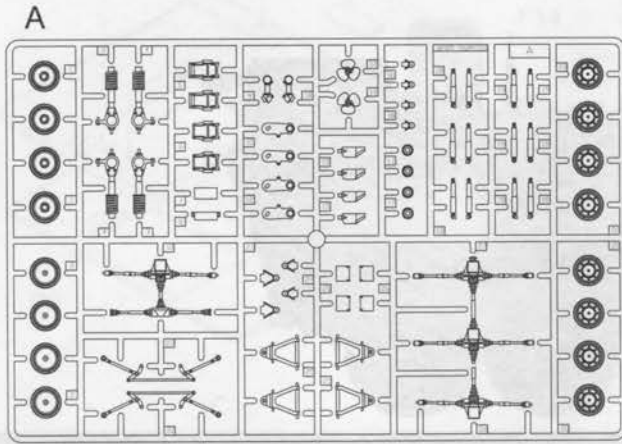
水贴纸的使用:

- 1.从水贴纸上剪下印花;
- 2.将印花放入温水中浸10秒,然后放在干净布上。
- 3.拿着印花纸板将印花移到模型上;
- 4.手指蘸水将印花移到适当的位置;
- 5.用软布轻压印花直至水干, 气泡消失

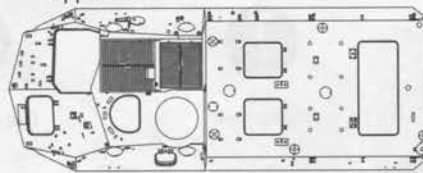
DECAL APPLICATION

- 1.Cut decals from sheet as needed
- 2.Dip the decal in warm water for about 10 seconds and then place on soft clean cloth.
- 3.Hold the decal backing sheet edge and gently slide the decal onto the model in its proper position.
- 4.While still wet,decal can be adjusted for better fit on model by dampening it gently with your finger.
- 5.When placed in the proper position,gently press decal down with a soft cloth until excess water and air bubbles are gone.
- 6.Allow decal to dry completely before handling model

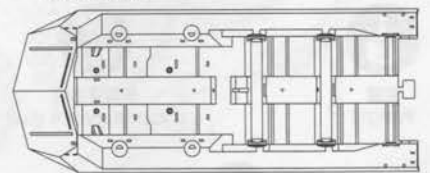
部品图 Parts



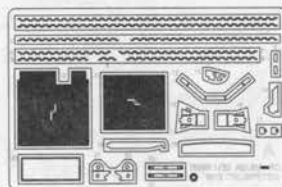
《车面》
Upper hull



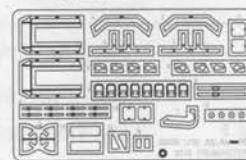
《车底》
Lower hull



《蚀刻片-A》
PE-A



《蚀刻片-B》
PE-B



《水贴纸》
Decal

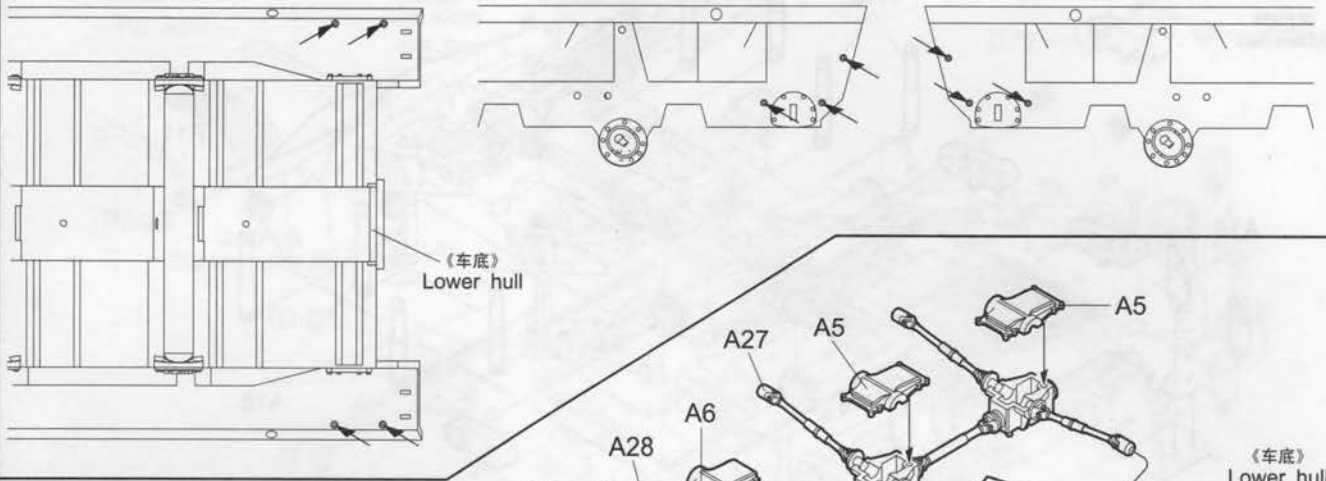


《轮胎》x 9
Tyre

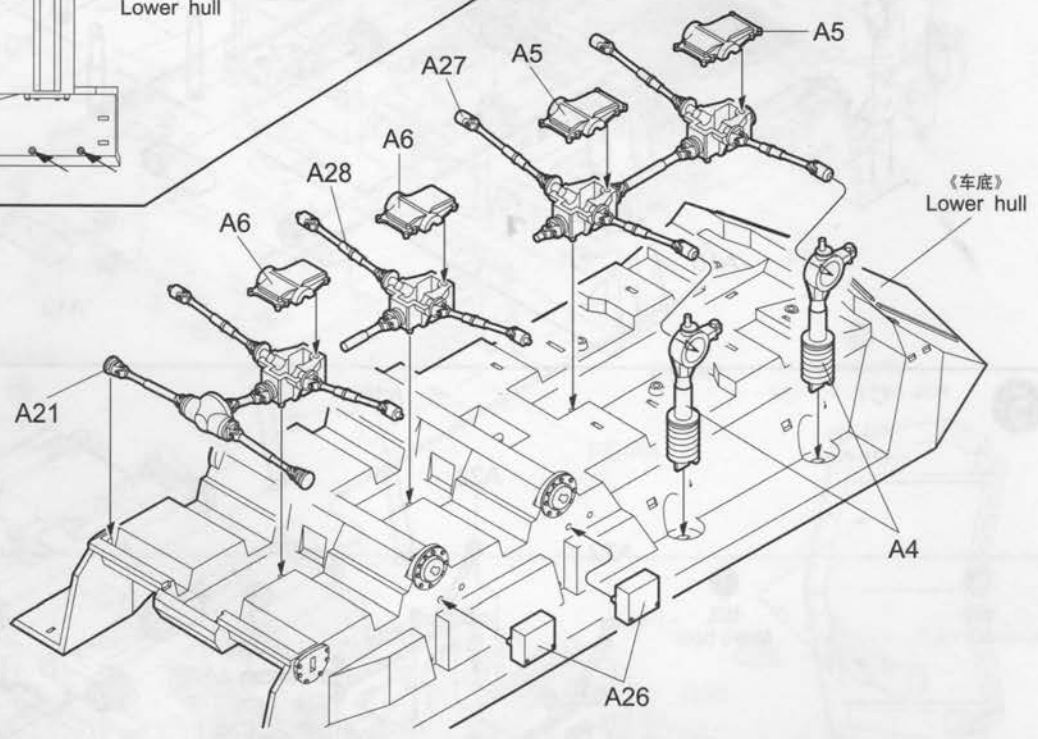


不用部品: A1、A2、A20、D1、D4、D5、D6、D11、D12、D13、D20、D23、D24、D27、D28、D29、D31、D32、D33、D35、D37、D38、D39、D42、D43、D45、D46、D49、D50、D51、D52、D53、D54、D58、D60、D64、D65、D70、D71、D72、D73、D76、Q6、Q8、Q13、Q16。

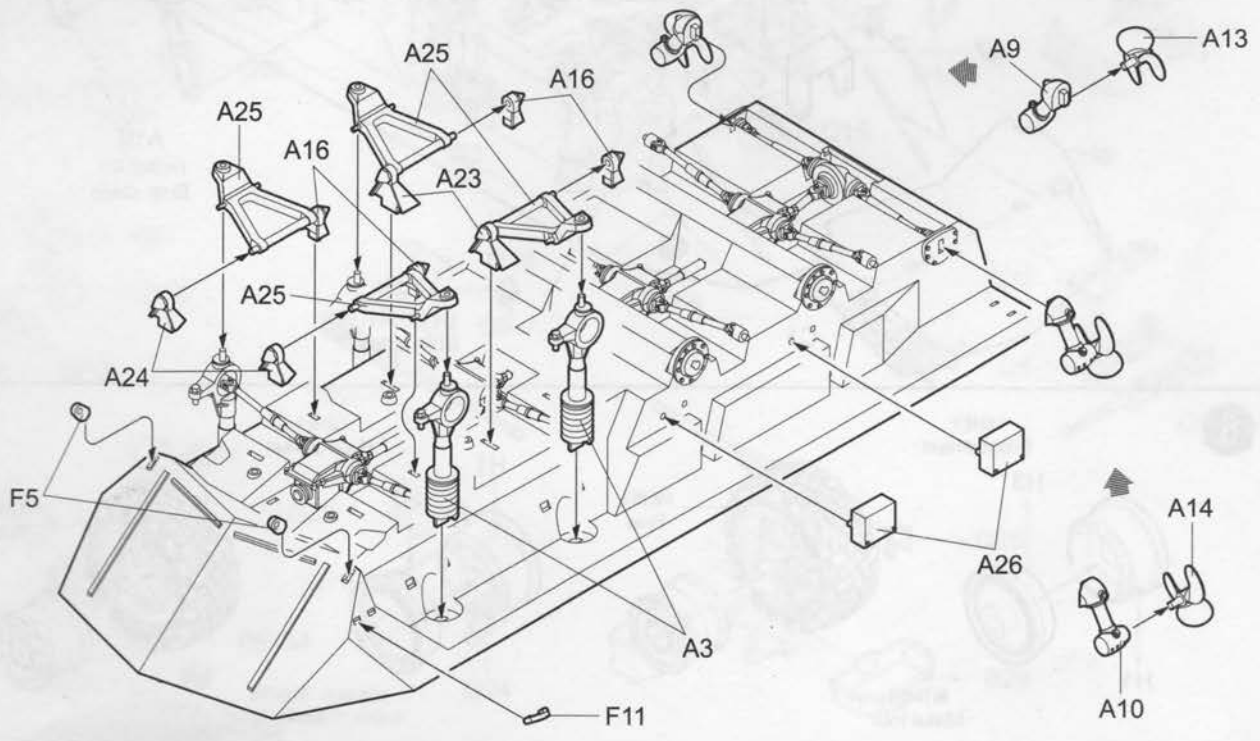
1 钻穿图中所示孔位
Make hole



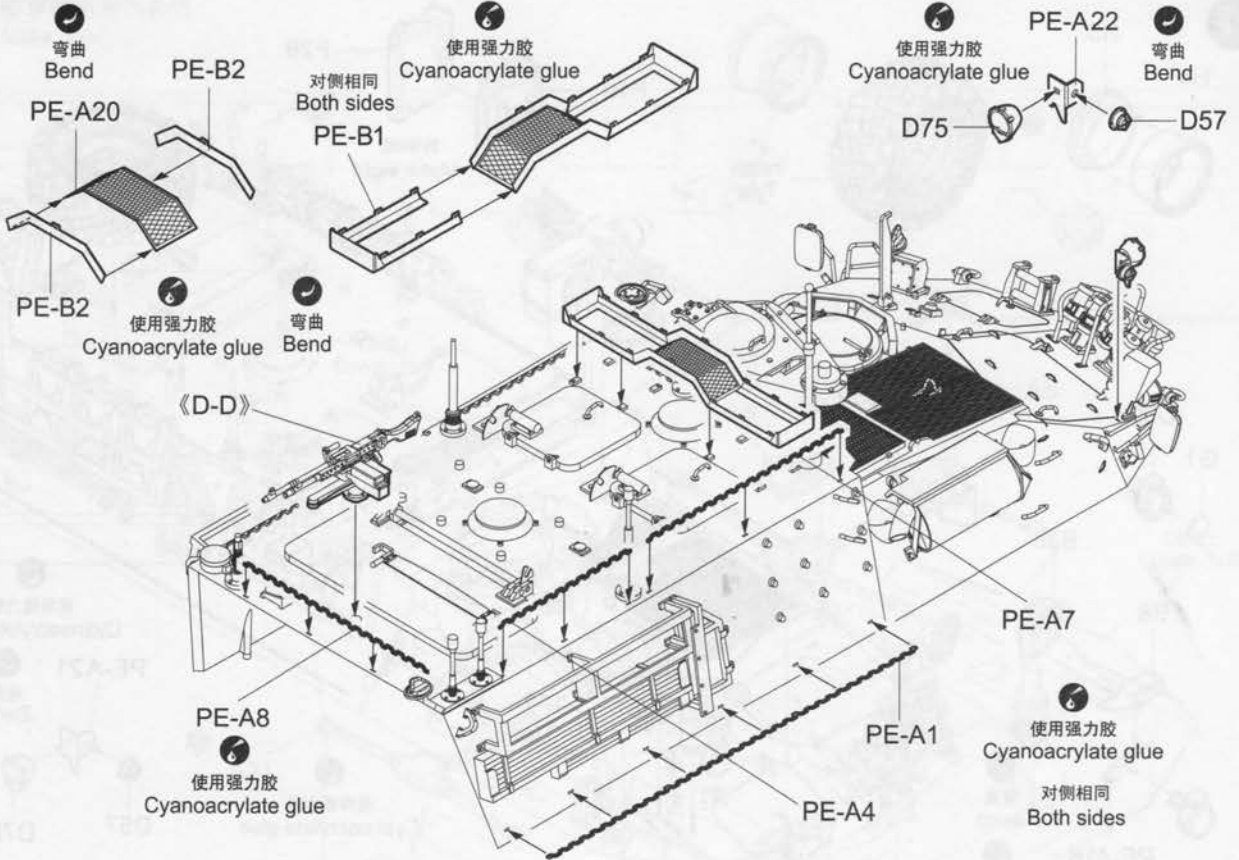
2



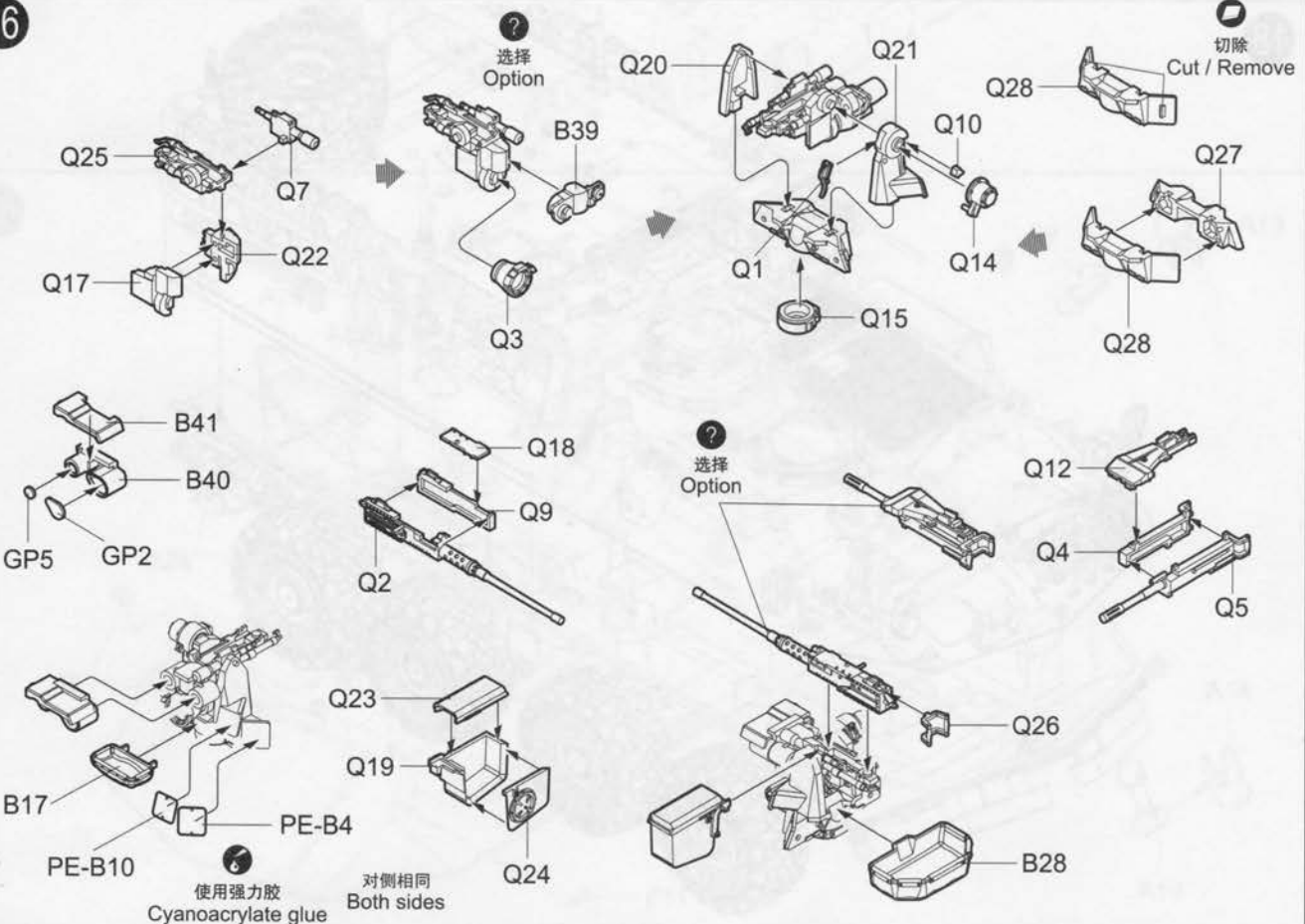
3



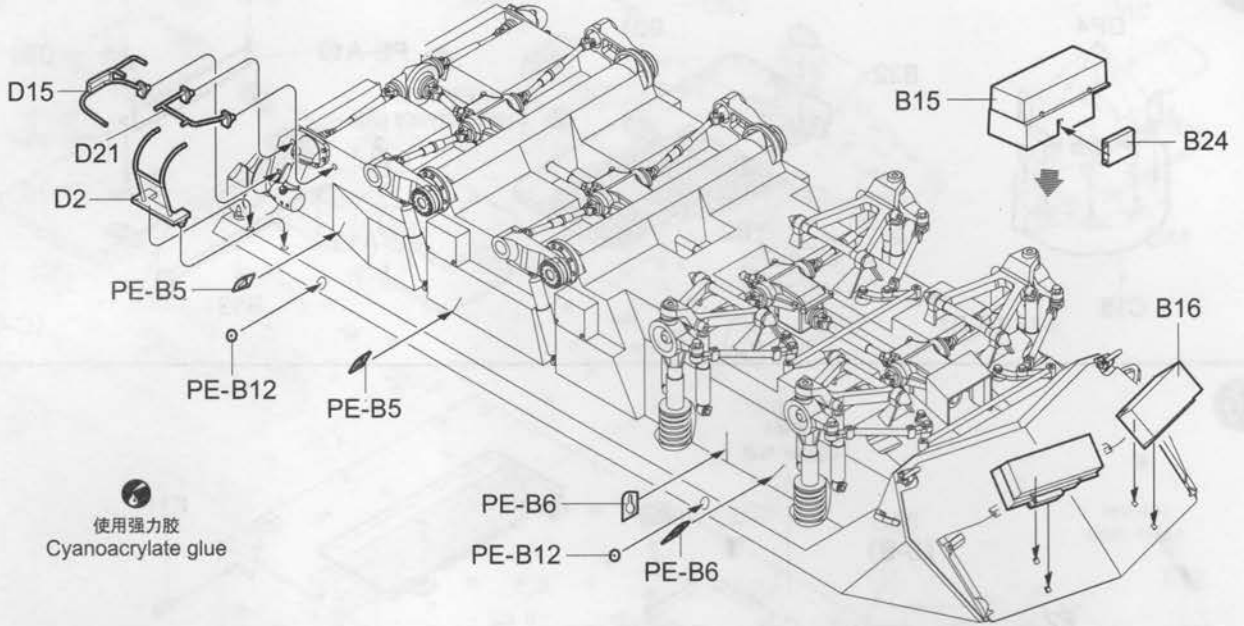
15



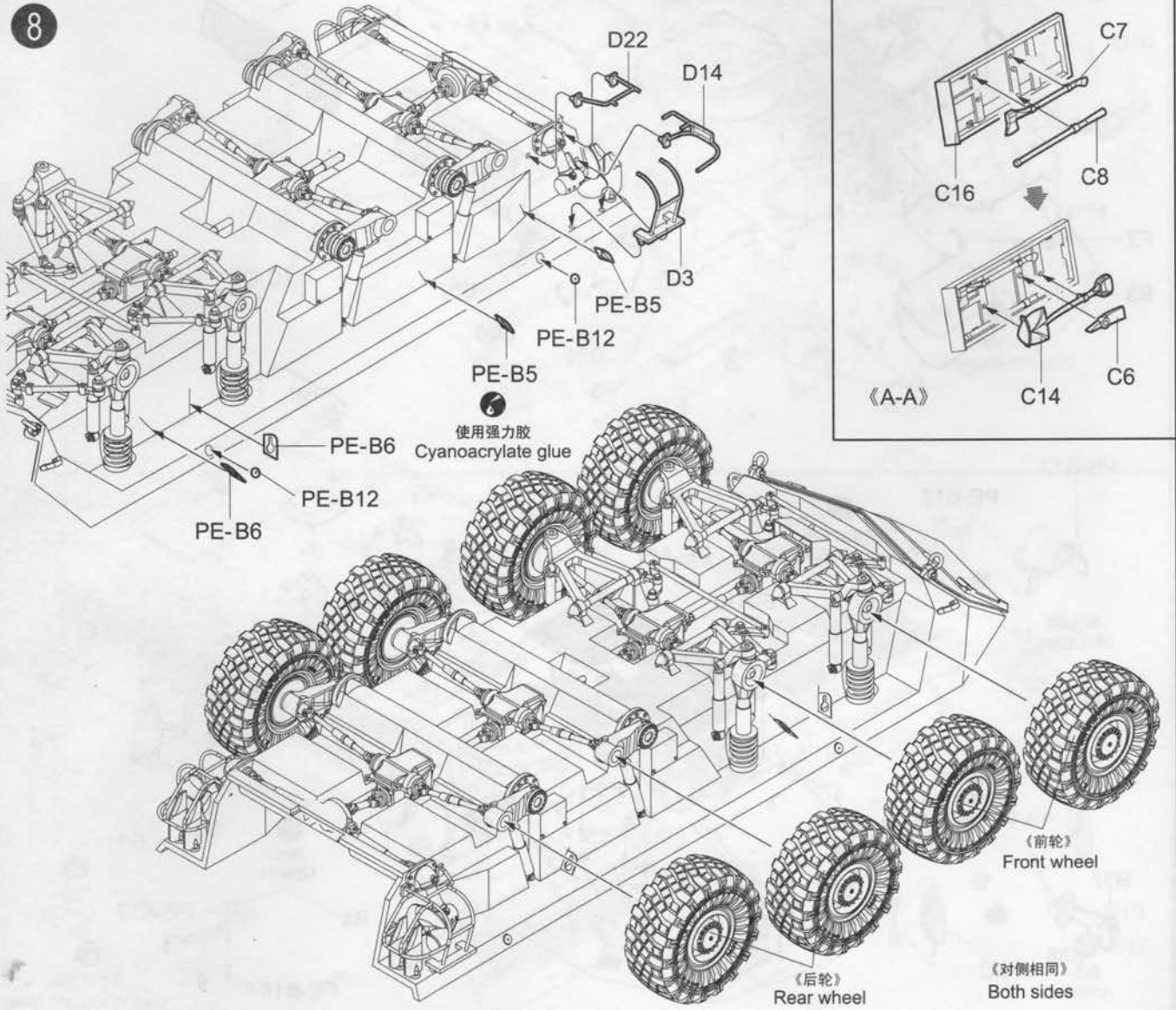
16



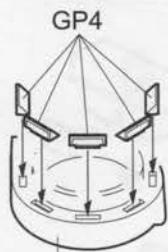
7



8

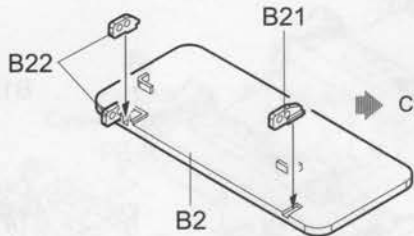


9



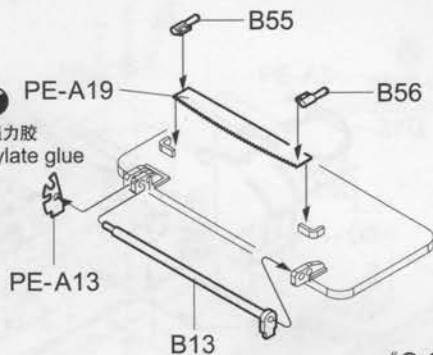
C18

《B-B》



B2

使用强力胶
Cyanoacrylate glue



PE-A13

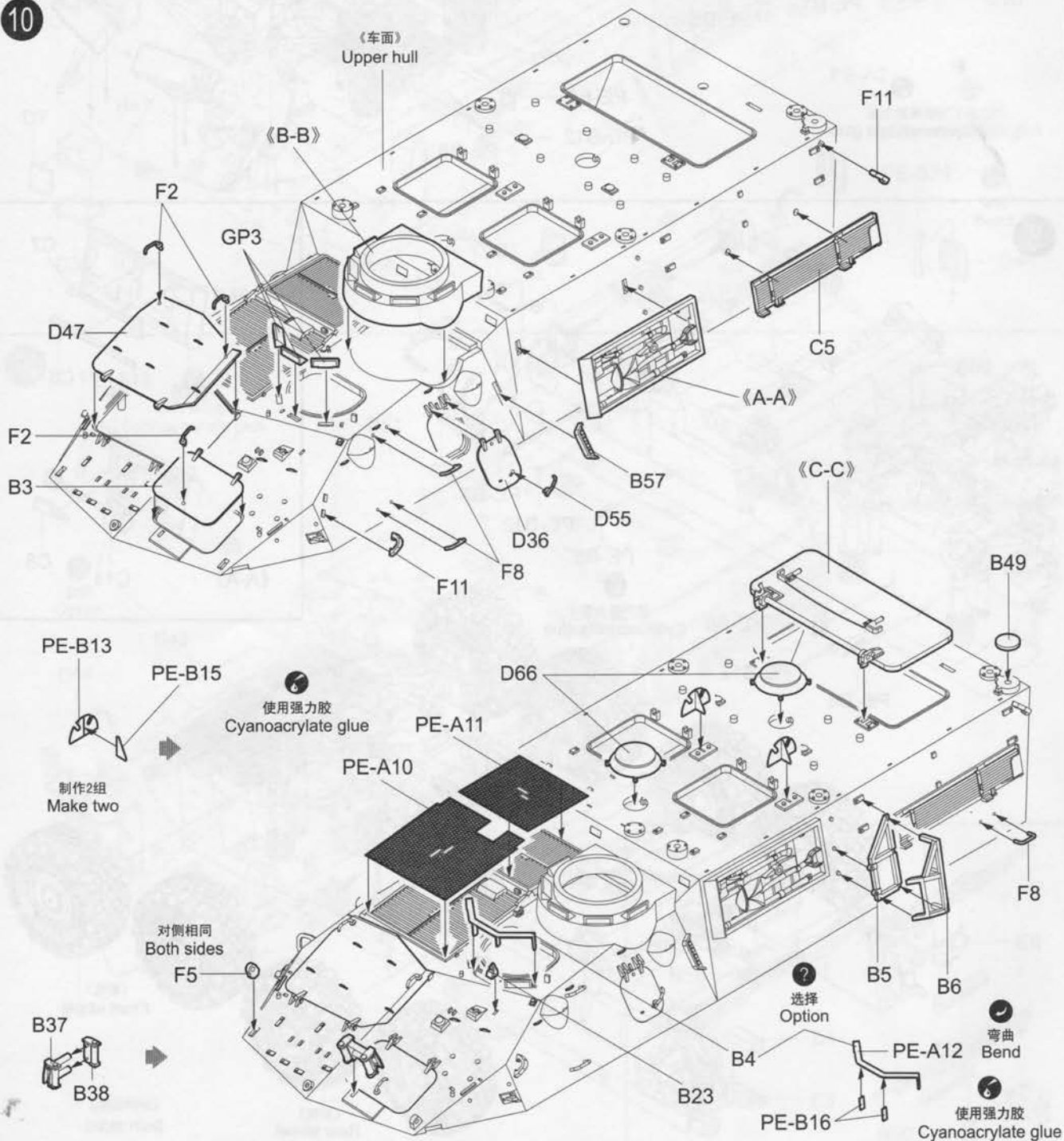
B13

《C-C》

10

《车面》
Upper hull

《B-B》



PE-B13

PE-B15

使用强力胶
Cyanoacrylate glue

PE-A11

PE-A10

制作2组
Make two

对侧相同
Both sides

F5

B37

B38

选择
Option

B4

B5

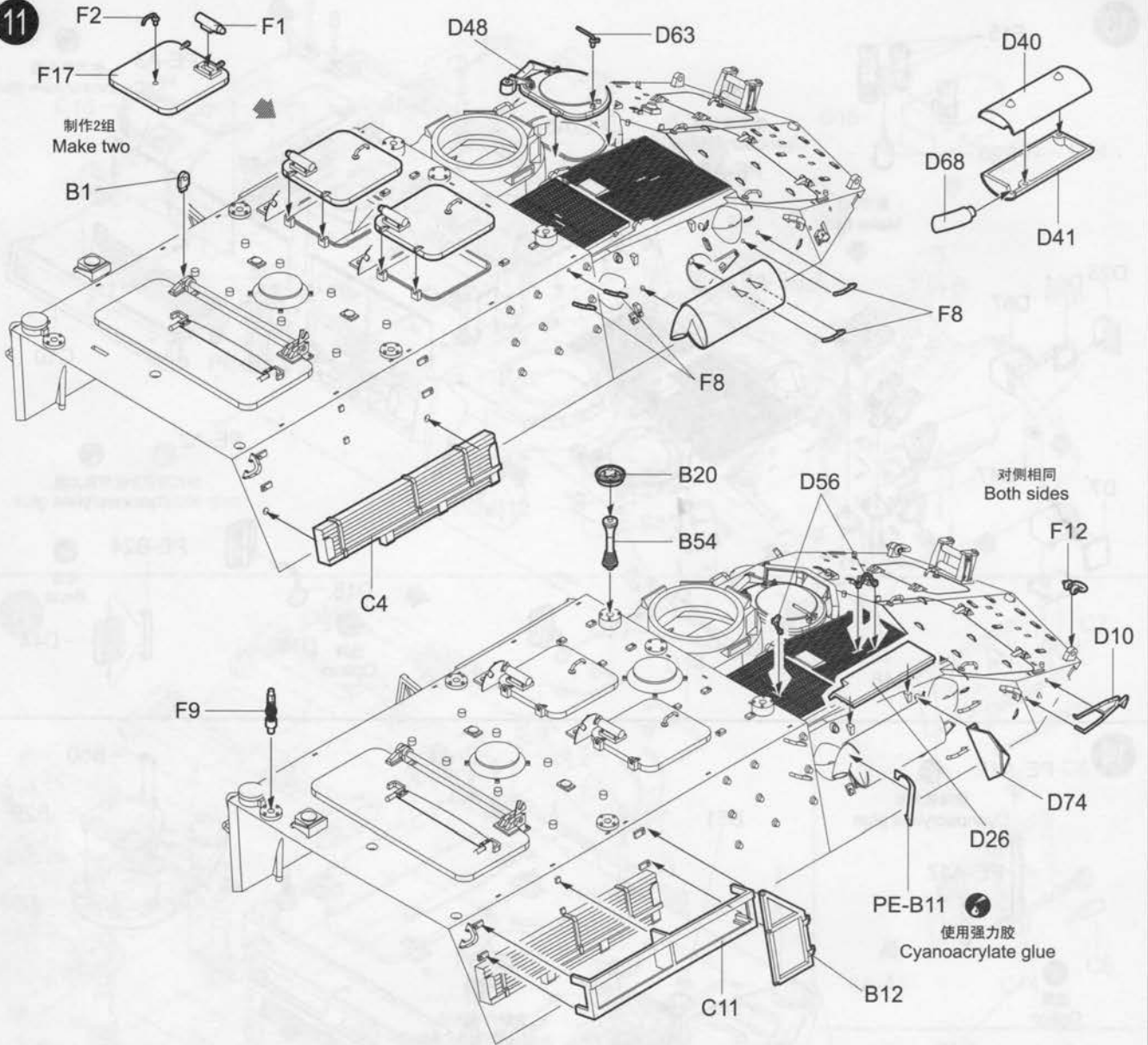
B6

PE-B16

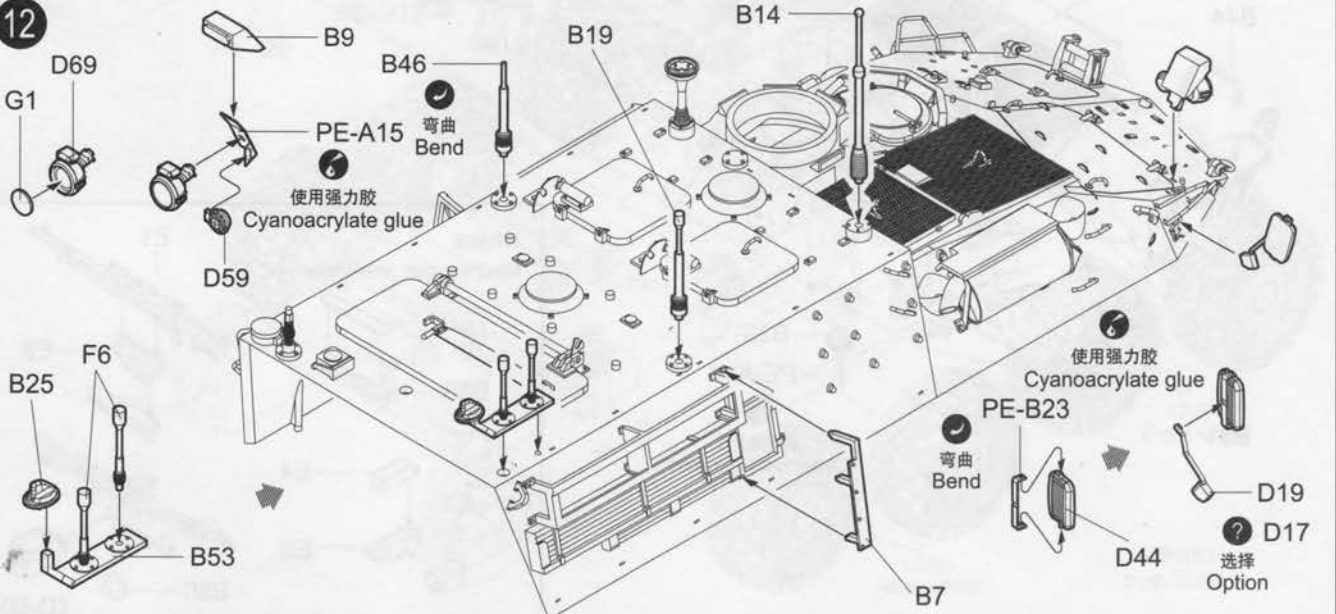
弯曲
Bend

使用强力胶
Cyanoacrylate glue

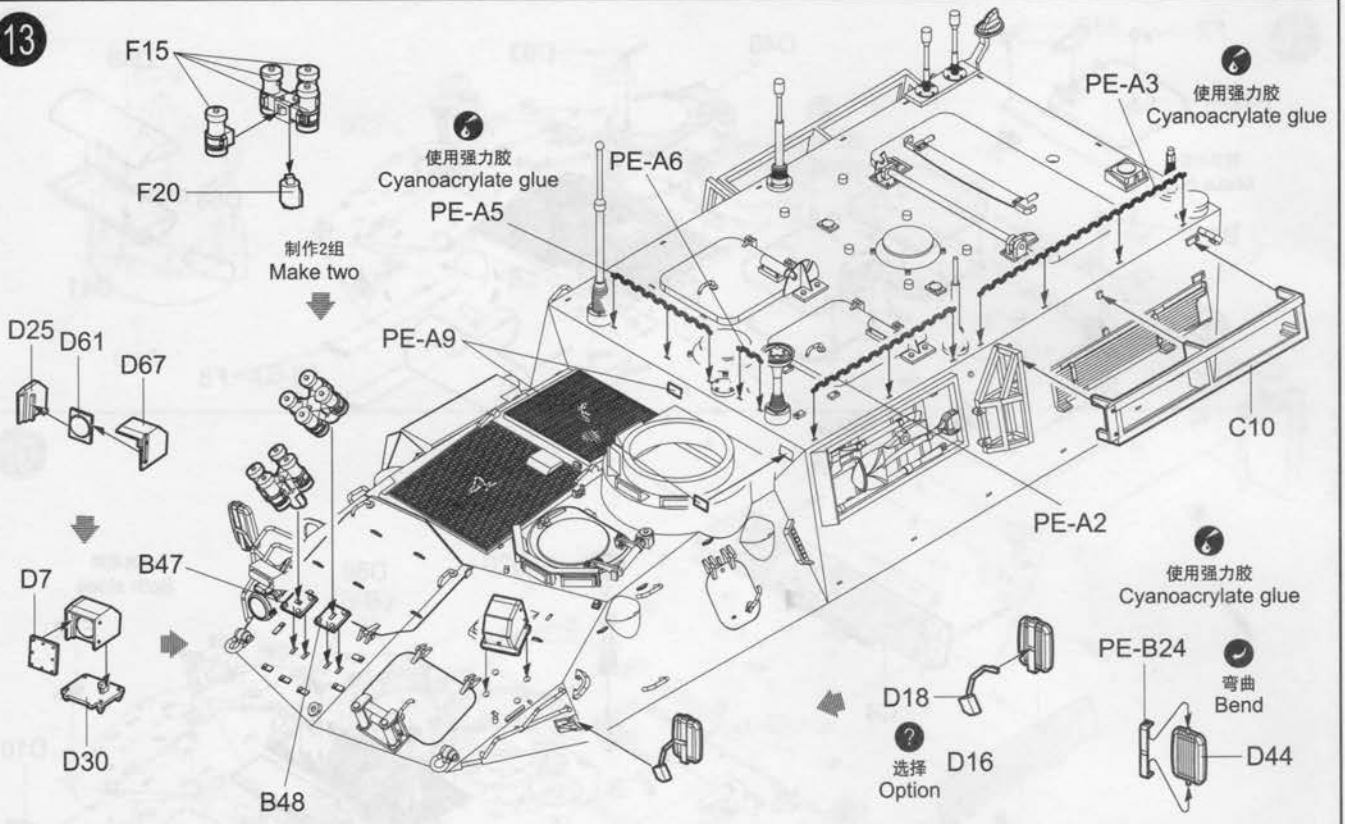
11



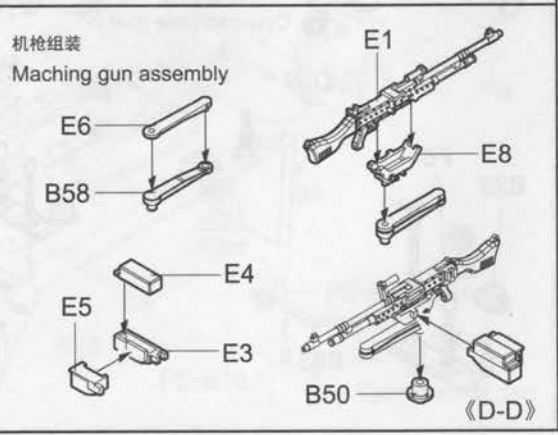
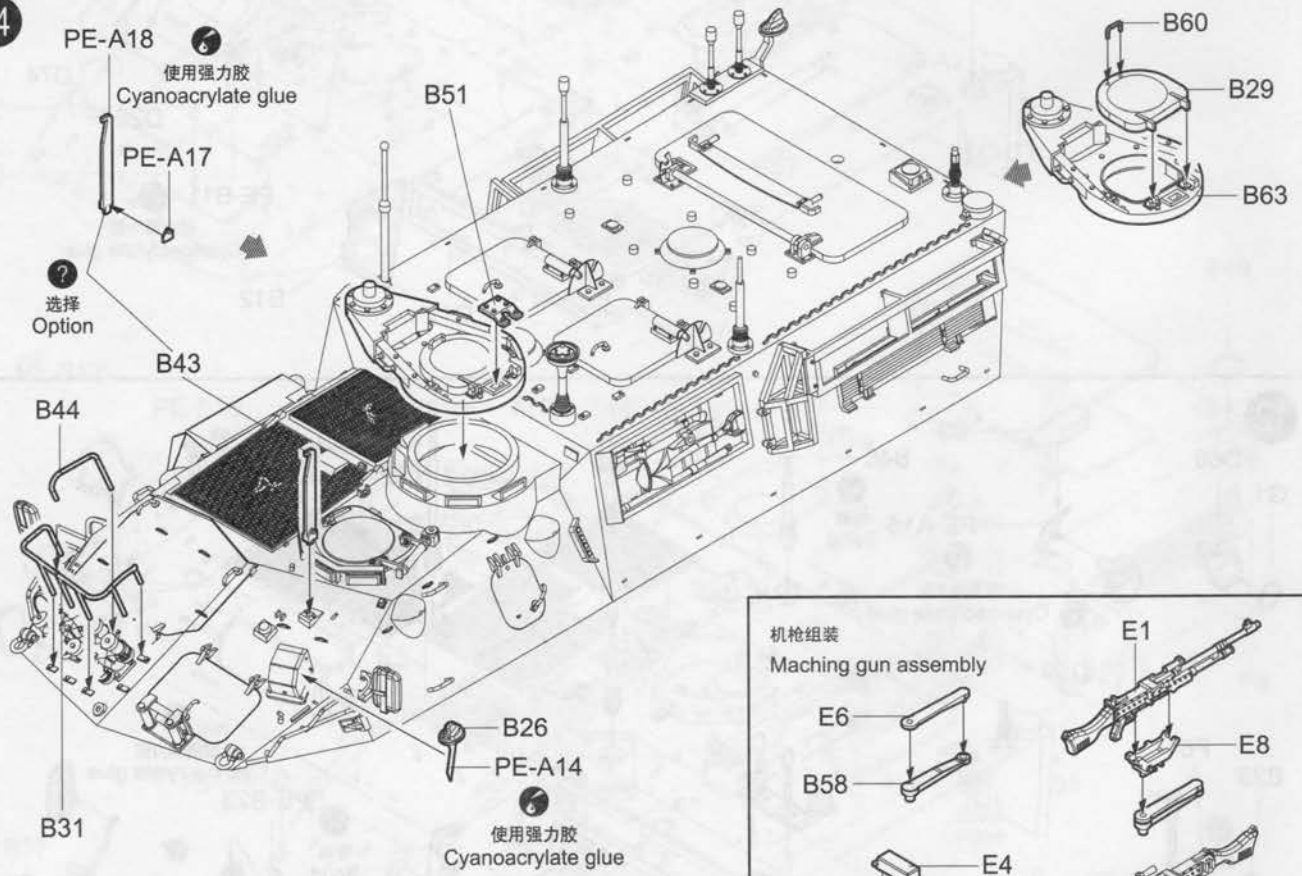
12



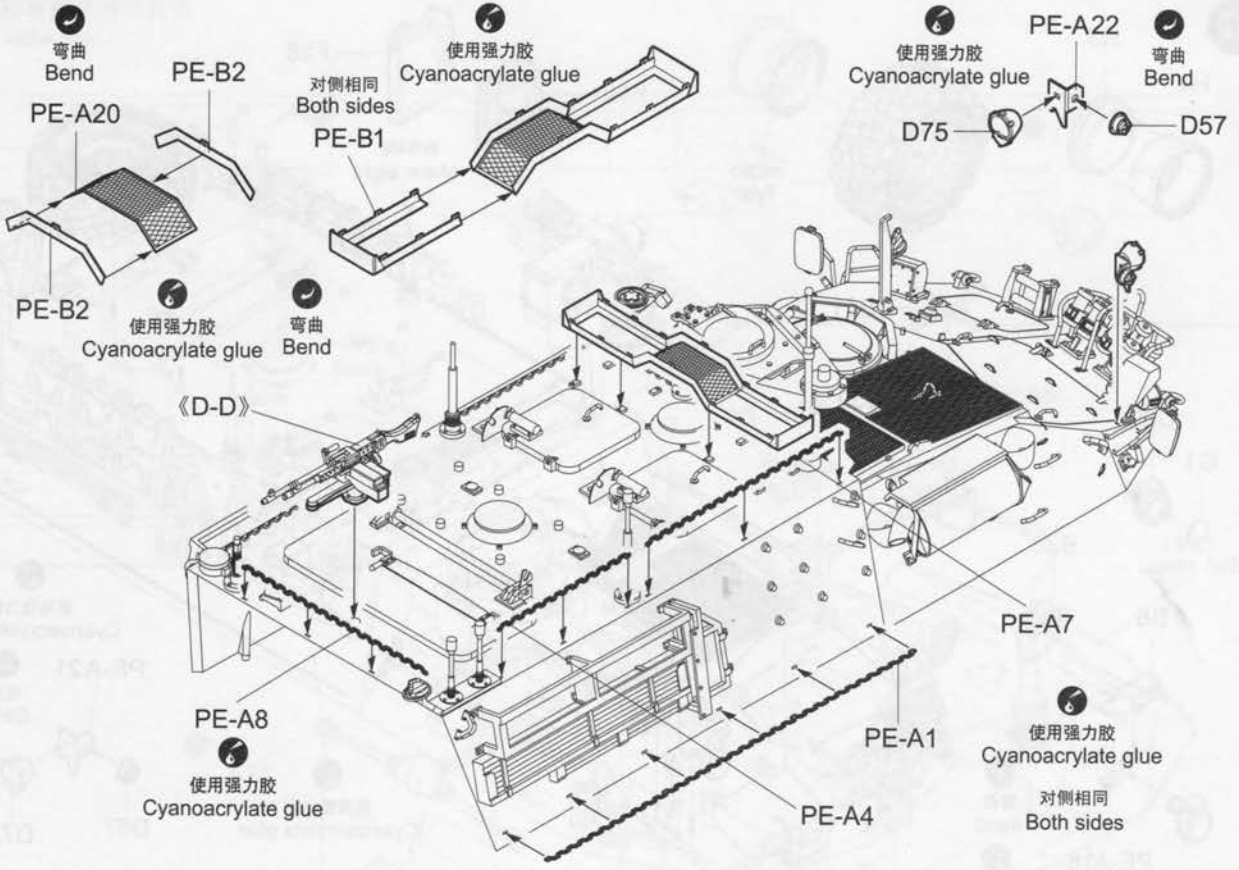
13



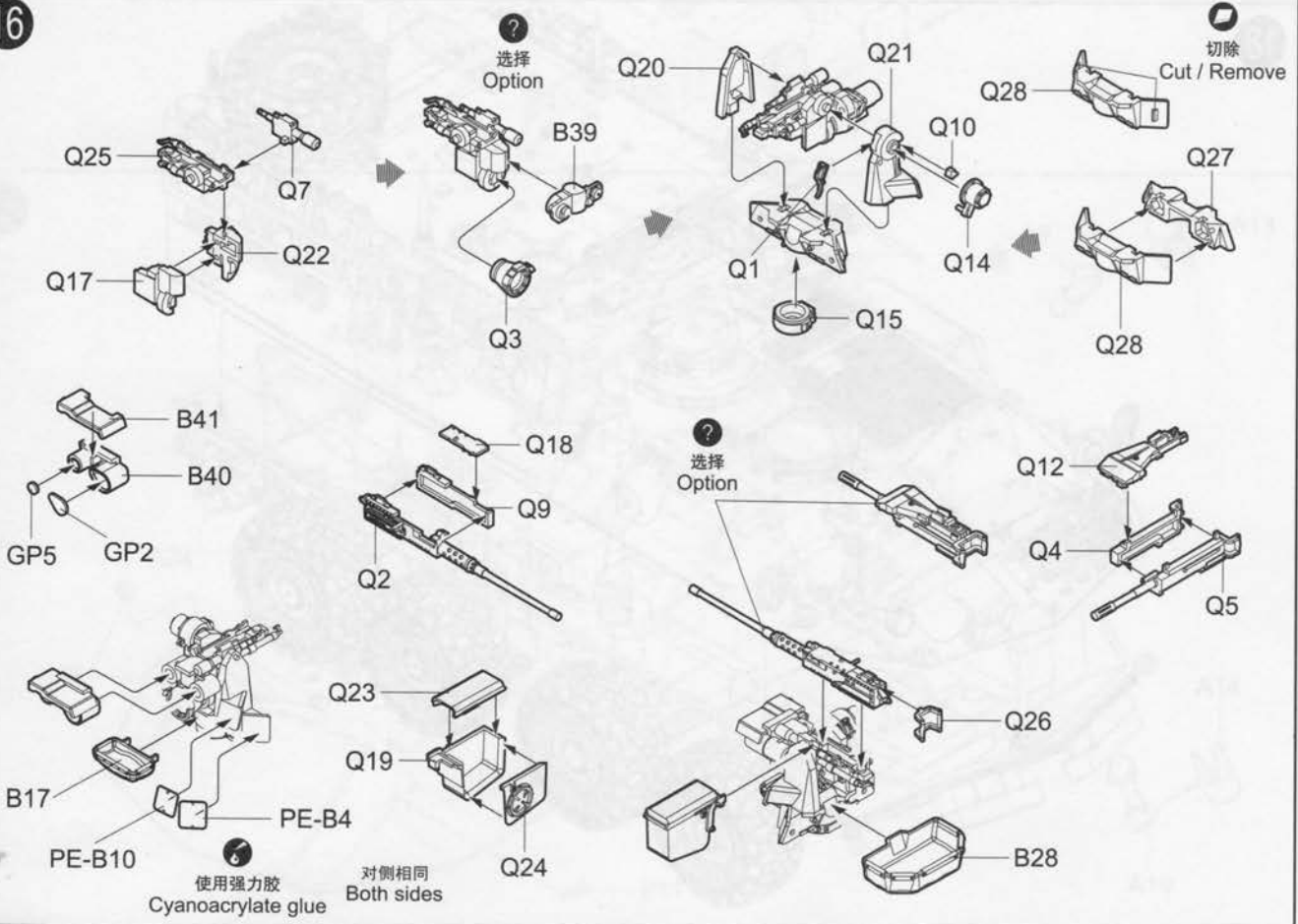
14



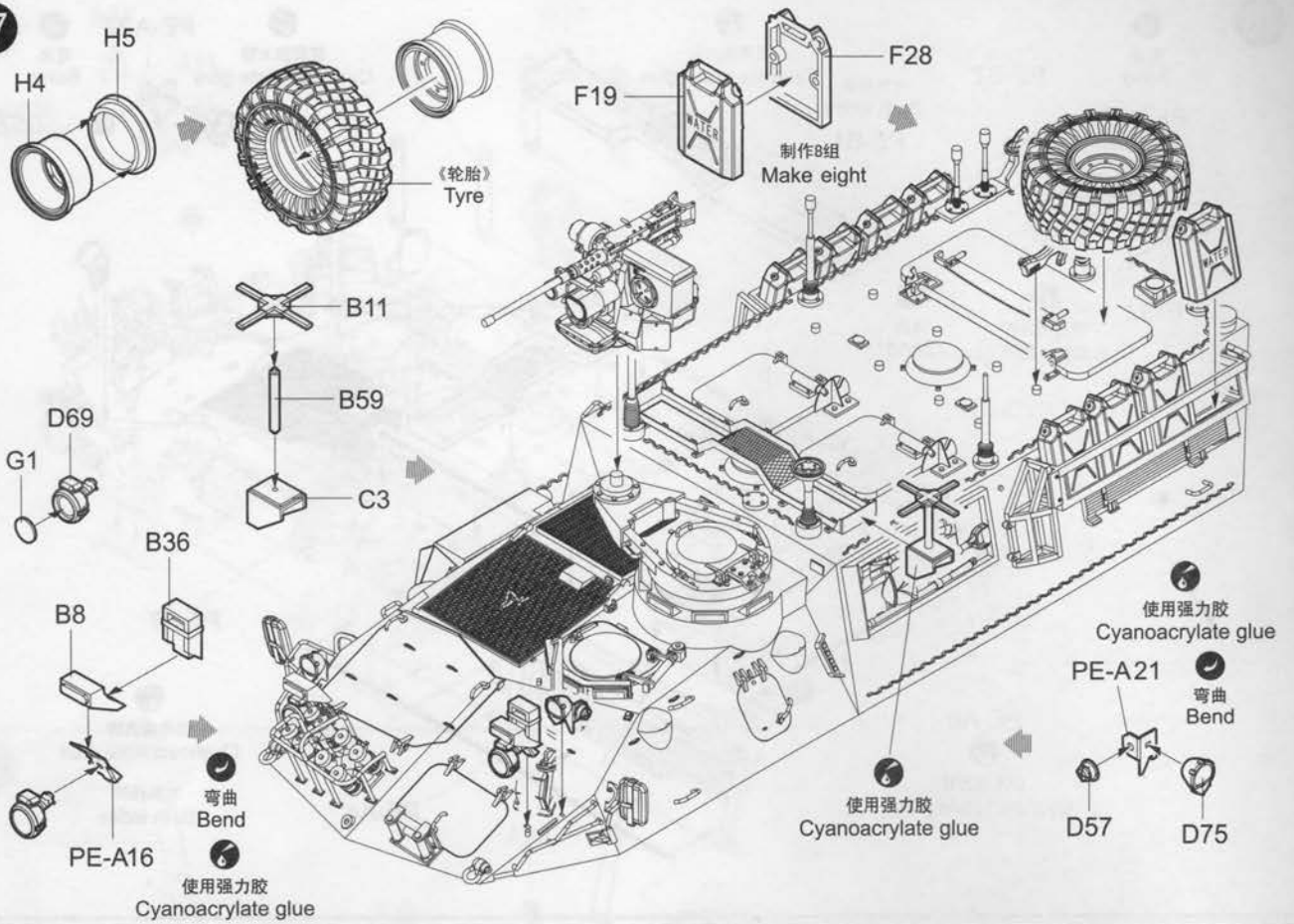
15



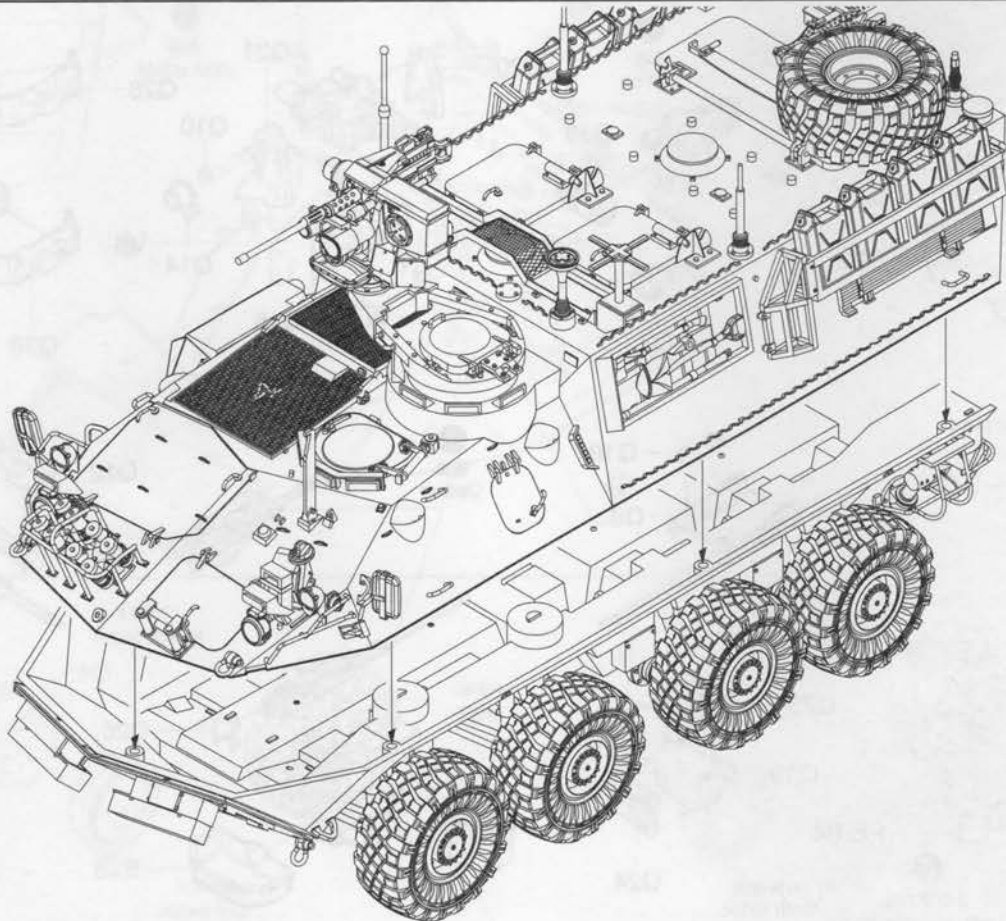
16



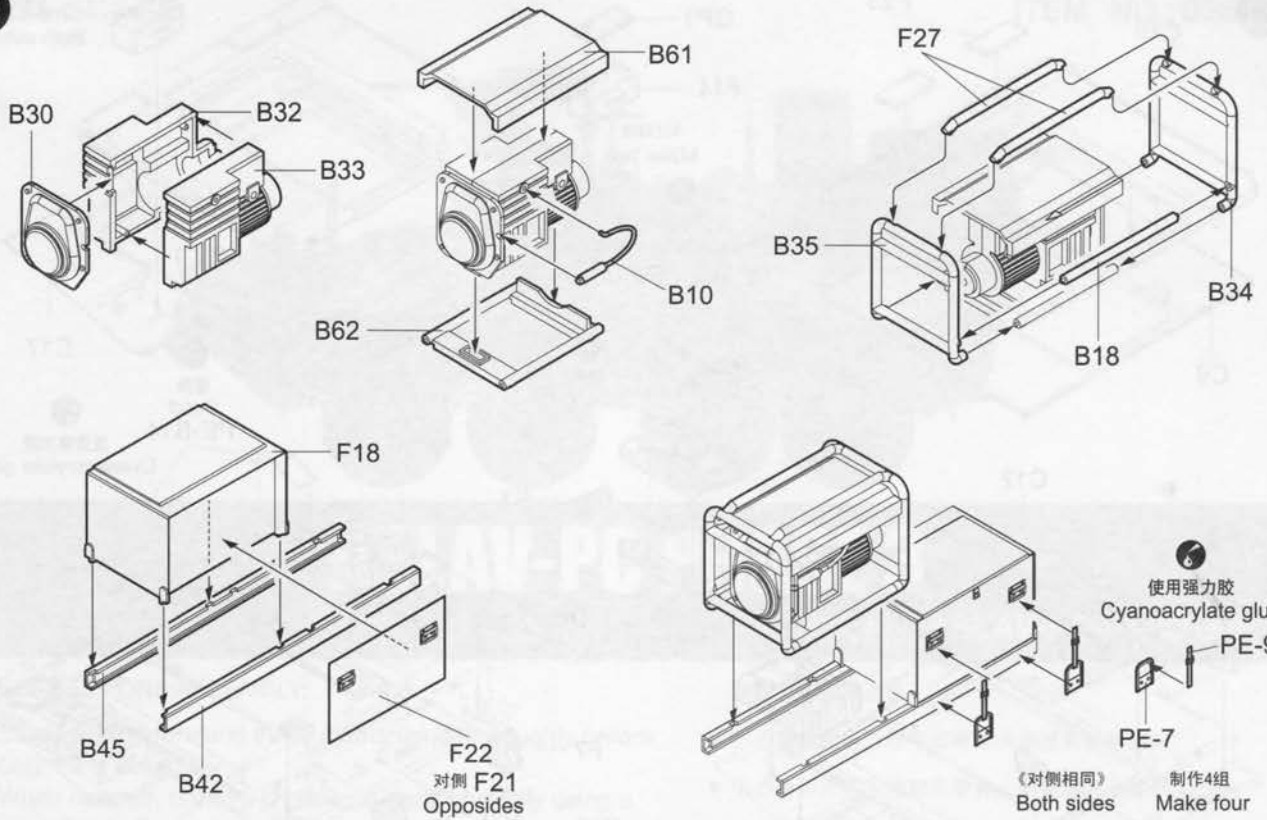
17



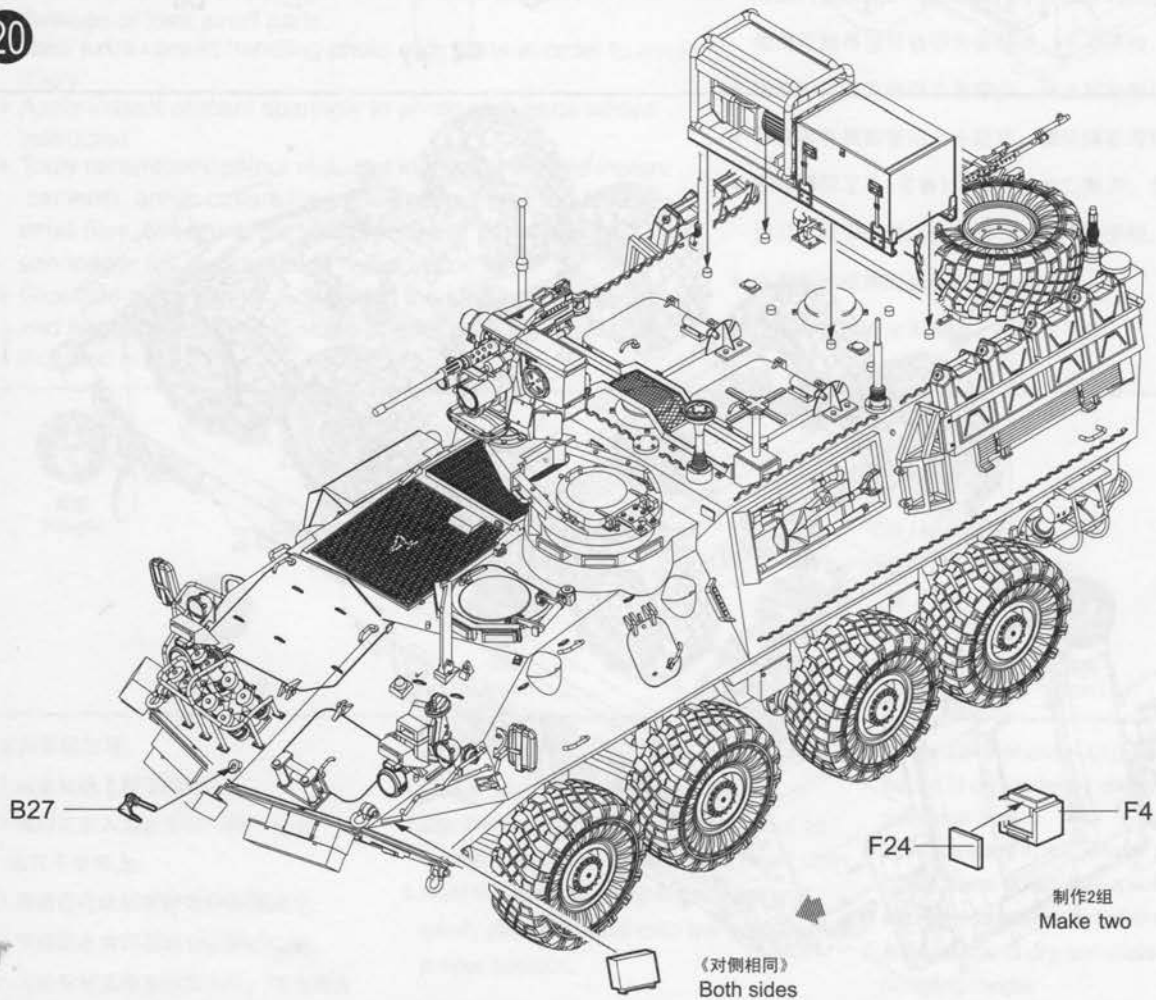
18



19



20

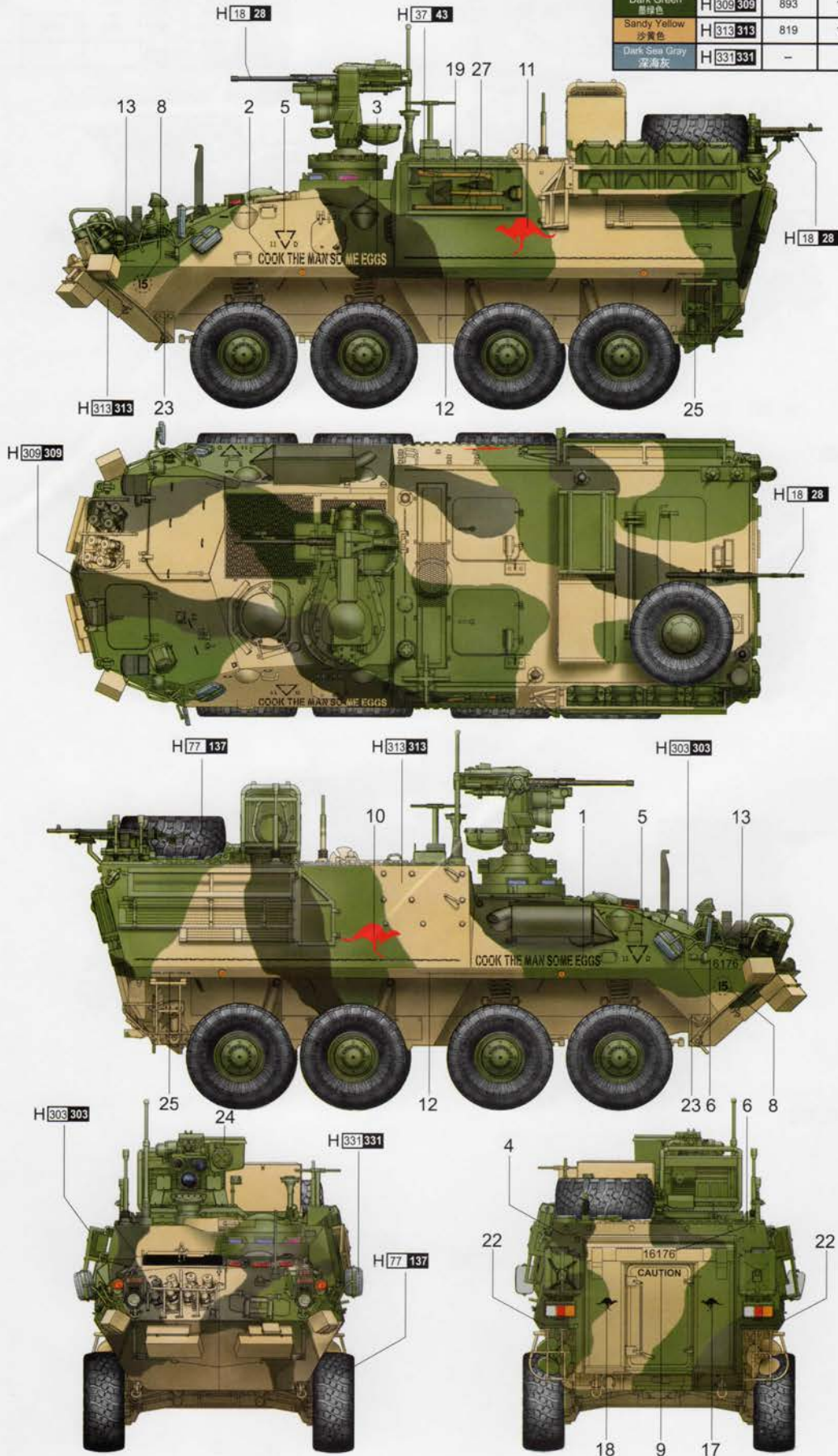


涂装同标贴指示 Painting & Marking guide

A

PAINT REFERENCE COLOUR

Color	Mr.Hobby	Vallejo	Model Master	Tamiya	Humbrol
Metal Black 黑铁色	H 18 28	864	1402	-	-
Wood Brown 木棕色	H 37 43	983	1701	-	186
Light Green 浅绿色	H 303 303	-	1713	XF20	117
Tire Black 胎黑色	H 77 137	-	-	-	-
Dark Green 暗绿色	H 309 309	893	1710	XF58	116
Sandy Yellow 沙黄色	H 313 313	819	1706	-	121
Dark Sea Gray 深海灰	H 331 331	-	-	XF54	164



□ AQUEOUS HOBBY COLOR ■ Mr. COLOR

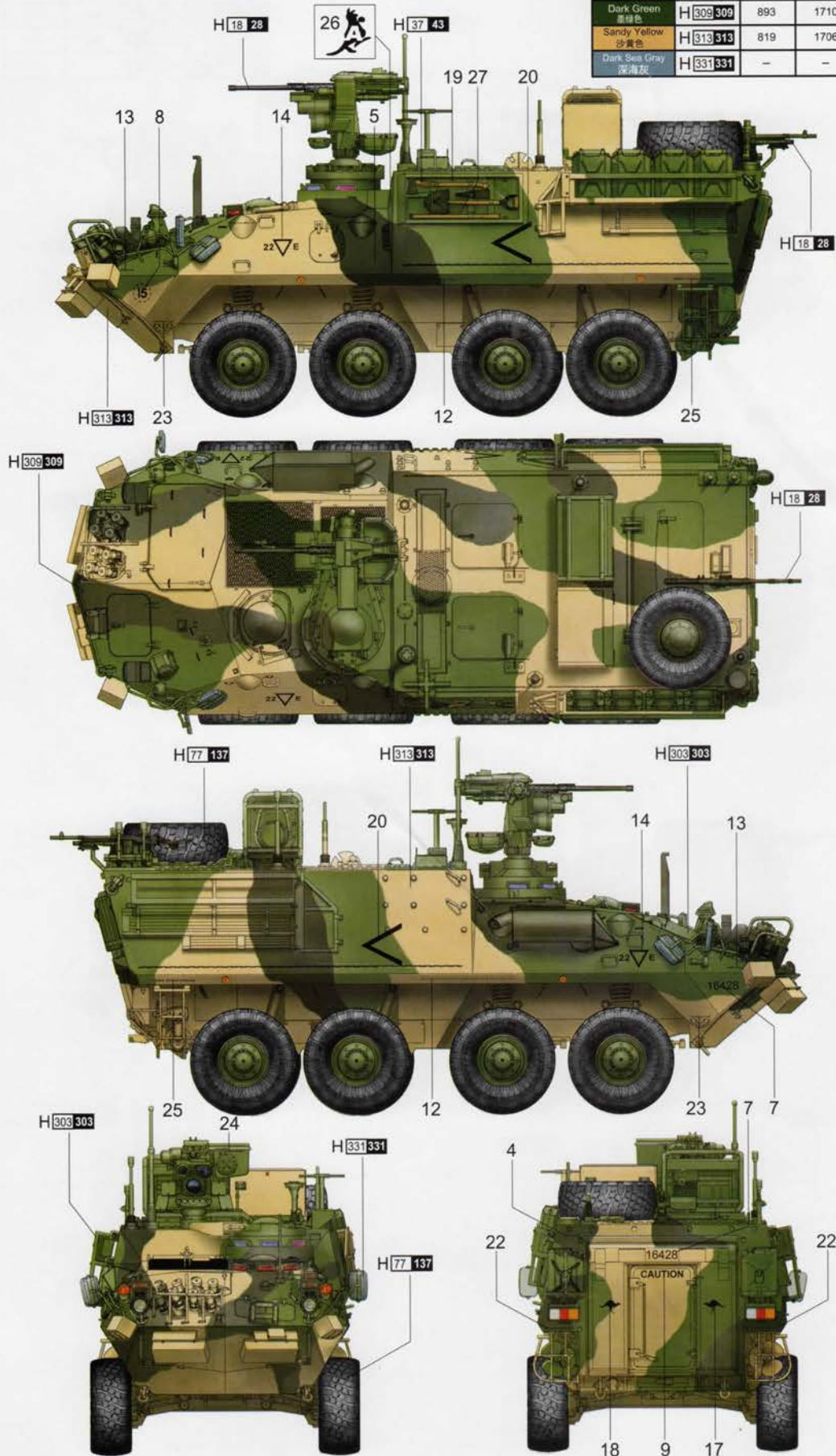
涂装同标贴指示

Painting & Marking guide

PAINT REFERENCE COLOUR

Color	Mr.Hobby	Vallejo	Model Master	Tamiya	Humbrol
Metal Black 黑铁色	H 18 28	864	1402	-	-
Wood Brown 木棕色	H 37 43	983	1701	-	186
Light Green 浅绿色	H 303 303	-	1713	XF20	117
Tire Black 胎黑色	H 77 137	-	-	-	-
Dark Green 深绿色	H 309 309	893	1710	XF58	116
Sandy Yellow 沙黄色	H 313 313	819	1706	-	121
Dark Sea Gray 深海灰	H 331 331	-	-	XF54	164

B



□ AQUEOUS HOBBY COLOR ■ Mr. COLOR