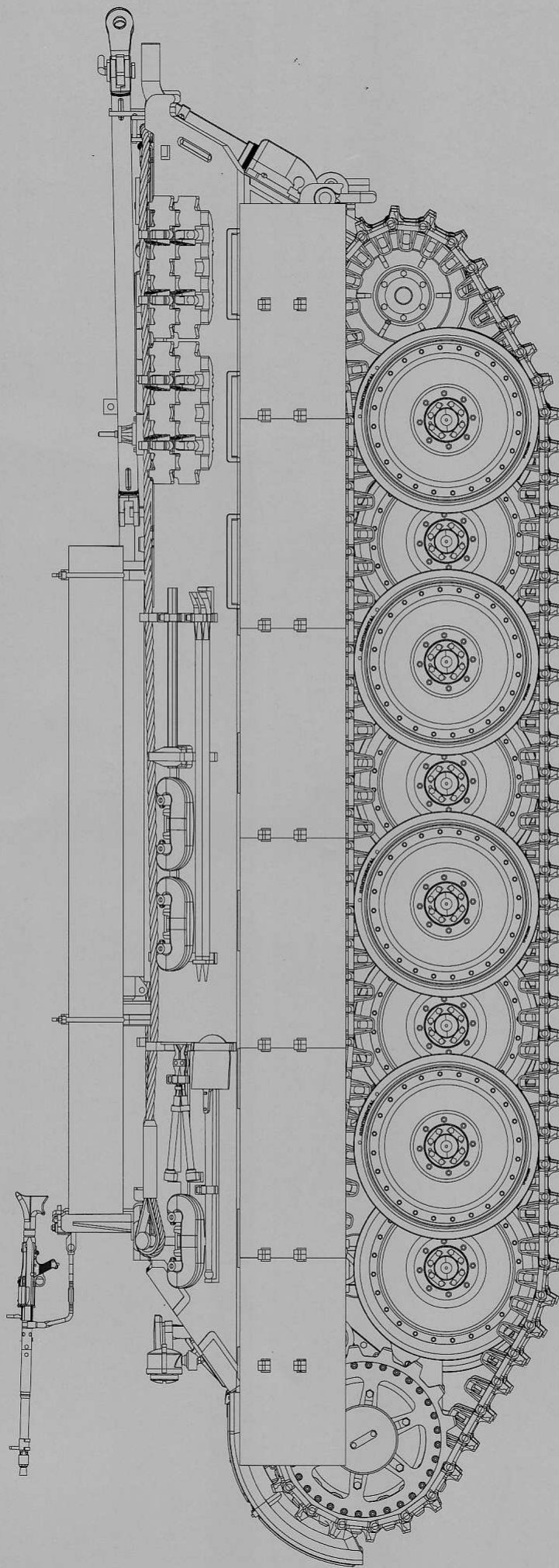


BERGEPANTHER Ausf.D Umbau Seibert 1945



The Bergepanzer Sd.Kfz. 179, or Bergepanther was a heavy armored recovery vehicle based on the chassis of the Panzer V Panther, with the first production model being the Ausf. A. The Bergepanther first began its development in 1942 because of the need for a heavy tank recovery vehicle that could manage heavy German armour such as the Panther medium tanks or Tiger I heavy tanks. These generally required up to three SdKfz 9 Famo half-tracks to recover them compared to the single half-track needed to tow a Panzer III or Panzer IV. This made the Panther the main contender for the new heavy armored recovery vehicle. Siebert, which was a large steel fabrication plant with extensive experience in the construction of U-boat hulls, assembled 61 Bergepanther Ausf.D (Umbau) between July 1944 and March 1945. These were rebuilt Panther tanks, without the turret or the transmission hatch over driver and commander, and a sheet metal cover was used over turret ring. An unditching beam and 2t Behelfskran were stowed for tank recovery duties.

READ BEFORE ASSEMBLY

CAUTION

- Read carefully and fully understand the instructions before commencing assembly. A supervising adult should also read the instructions if a child assembles the model.
- When assembling this kit, tools including knives should be taken to avoid personal injury.
- Keep out of reach of small children. Children must not be allowed to suck any part, or pull vinyl bag over their heads.



Optional



Instant Glue for Metal



Do Not Cement



Drill



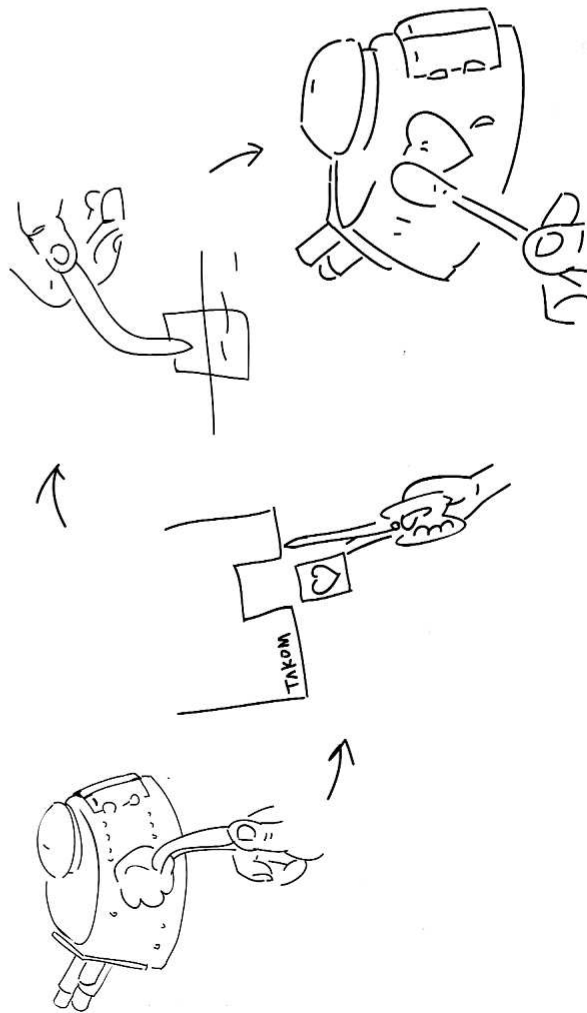
Remove

Color info and profiles by Mig Jimenez

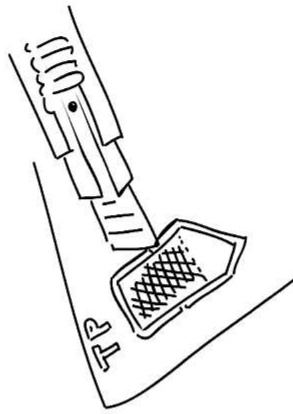
A.MIG 032 Rubber & Tires	A.MIG 035 Dark Tracks	A.MIG 038 Old Wood	A.MIG 039 Light Wood
A.MIG 040 Medium Rust	A.MIG 045 Gun Metal	A.MIG 048 Crystal Periscope Green	A.MIG 049 Olligrun Opt.2
A.MIG 010 Dunkelgelb Alt war	A.MIG 024 Washable White Camo	A.MIG 015 Schokobraun	

APPLYING DECALS

1. Clean the model surface with a wet cloth.
2. Cut out each decal design from sheet, and dip it in tepid water for 15~20 sec.
3. Hold the backing sheet edge and slide decal onto the model.
4. Move decal into position by wetting decal with finger.
5. Press decal gently down with a soft cloth until excess water and air bubbles are gone.



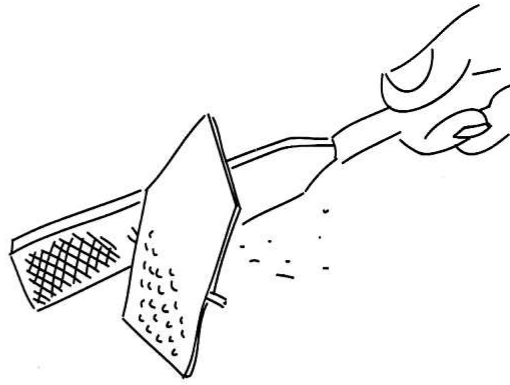
REMOVING PE



Be careful not to hurt when removing PE parts.

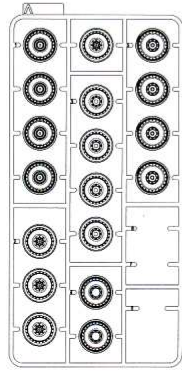


Secure using instant glue (not included).

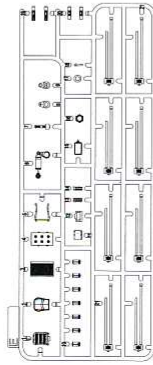


Finish using file.

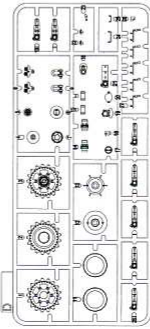
PARTS



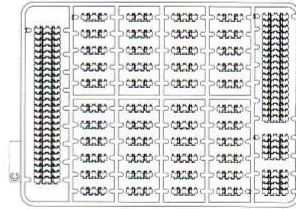
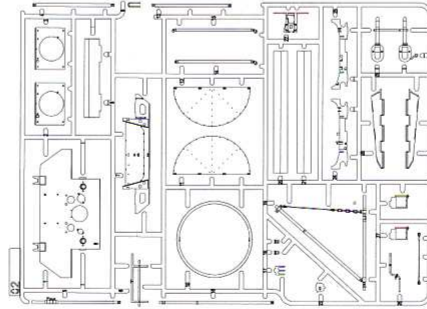
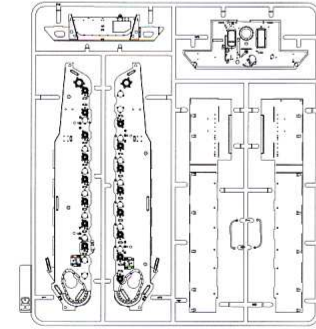
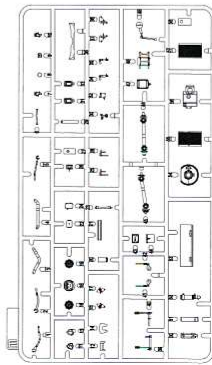
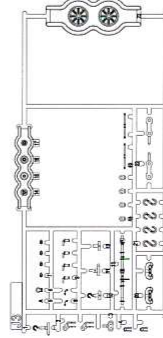
X2



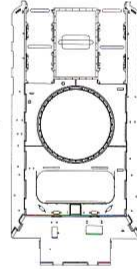
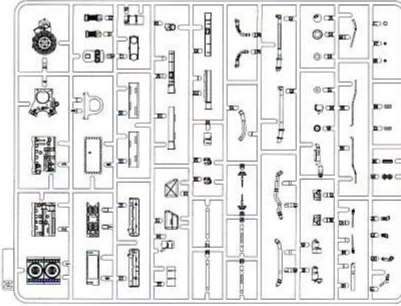
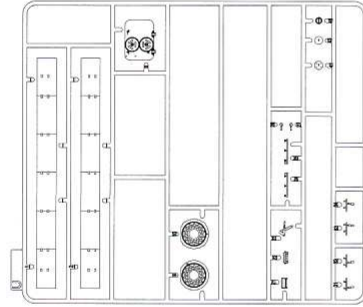
X2



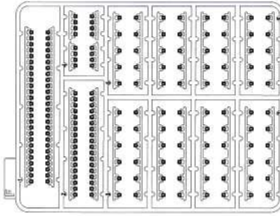
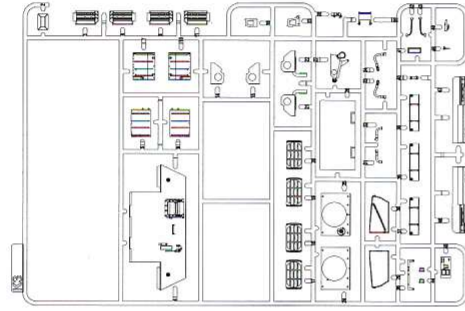
X2



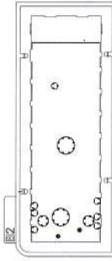
X2



Upper Hull



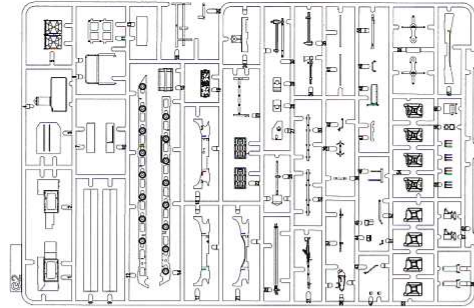
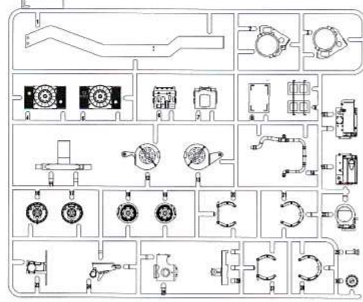
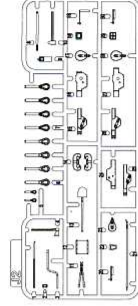
X2



Z4

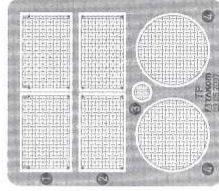
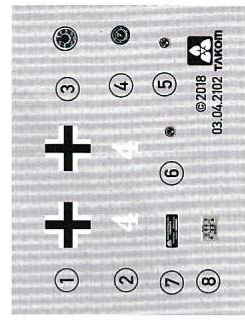


Z3



Cable

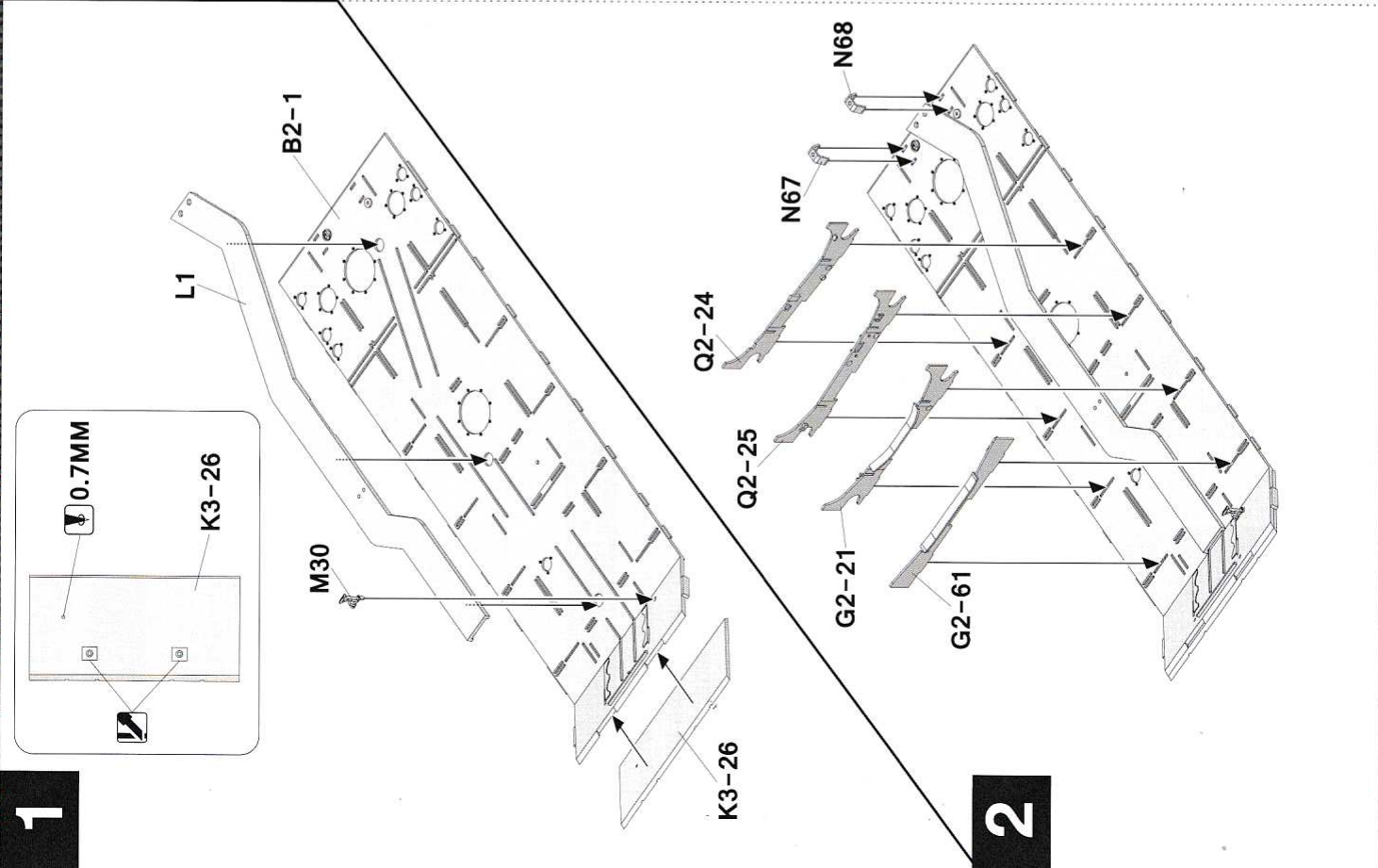
Chain



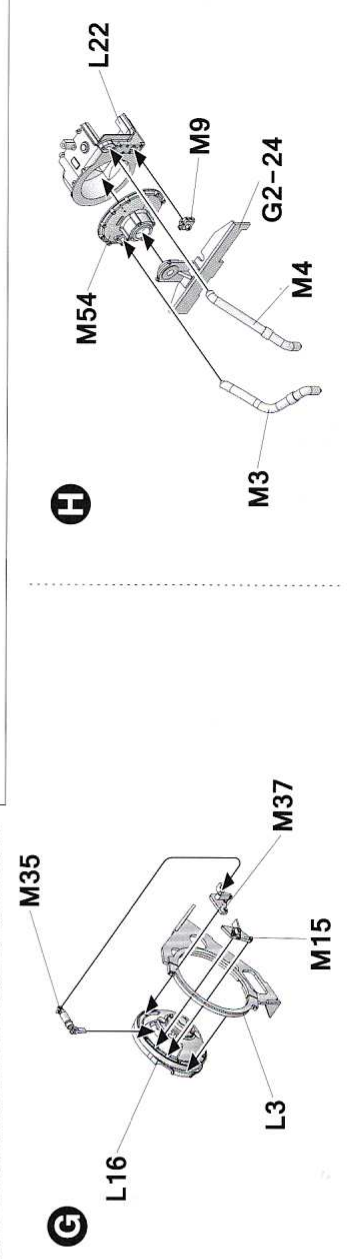
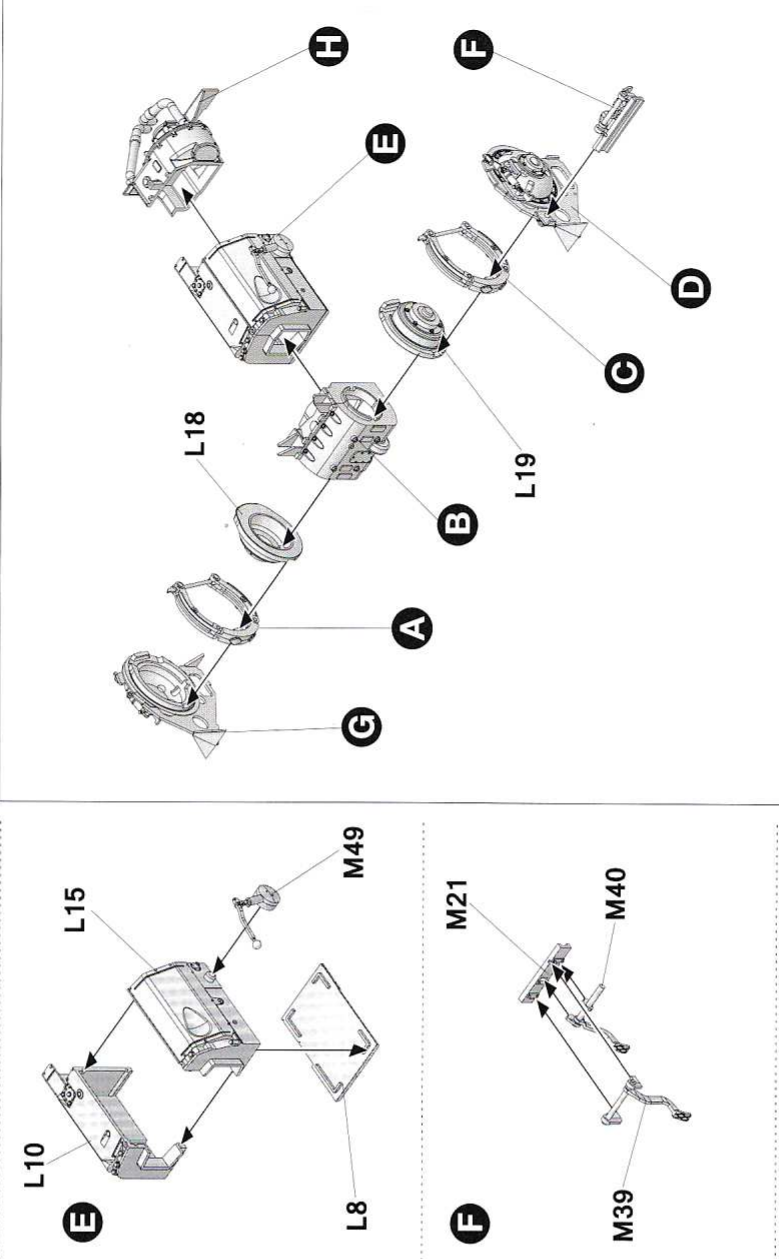
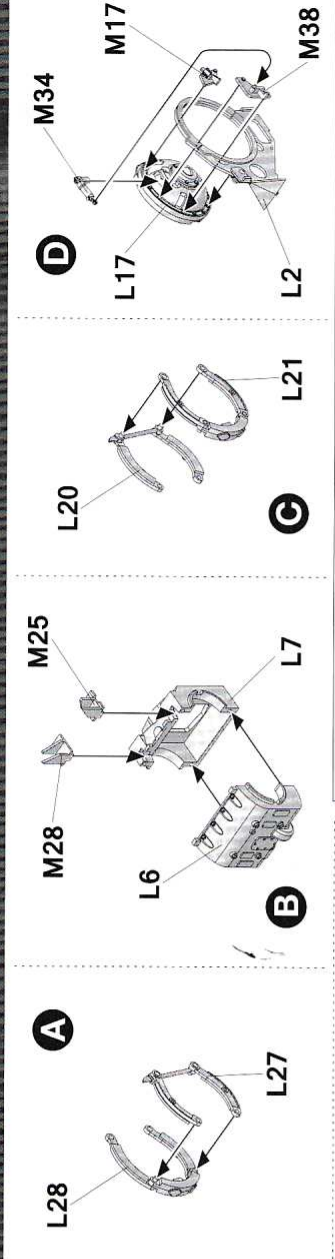
TP

Decal

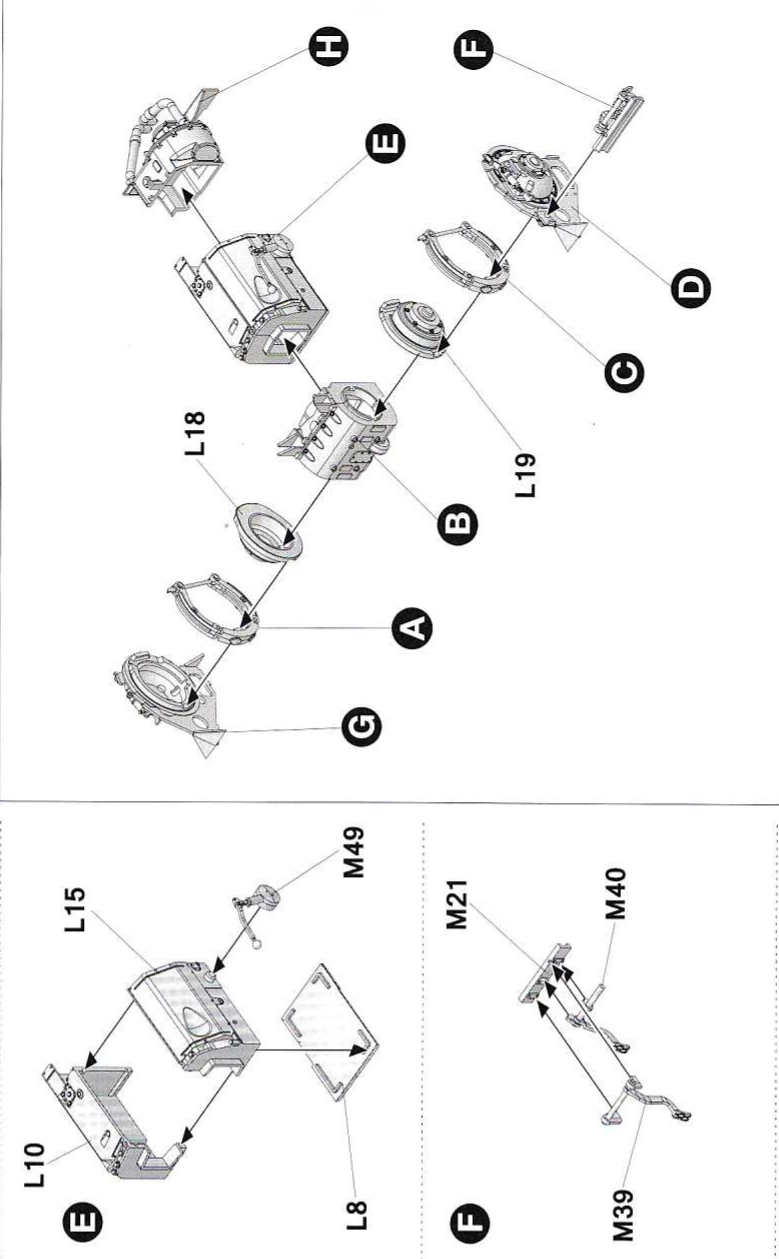
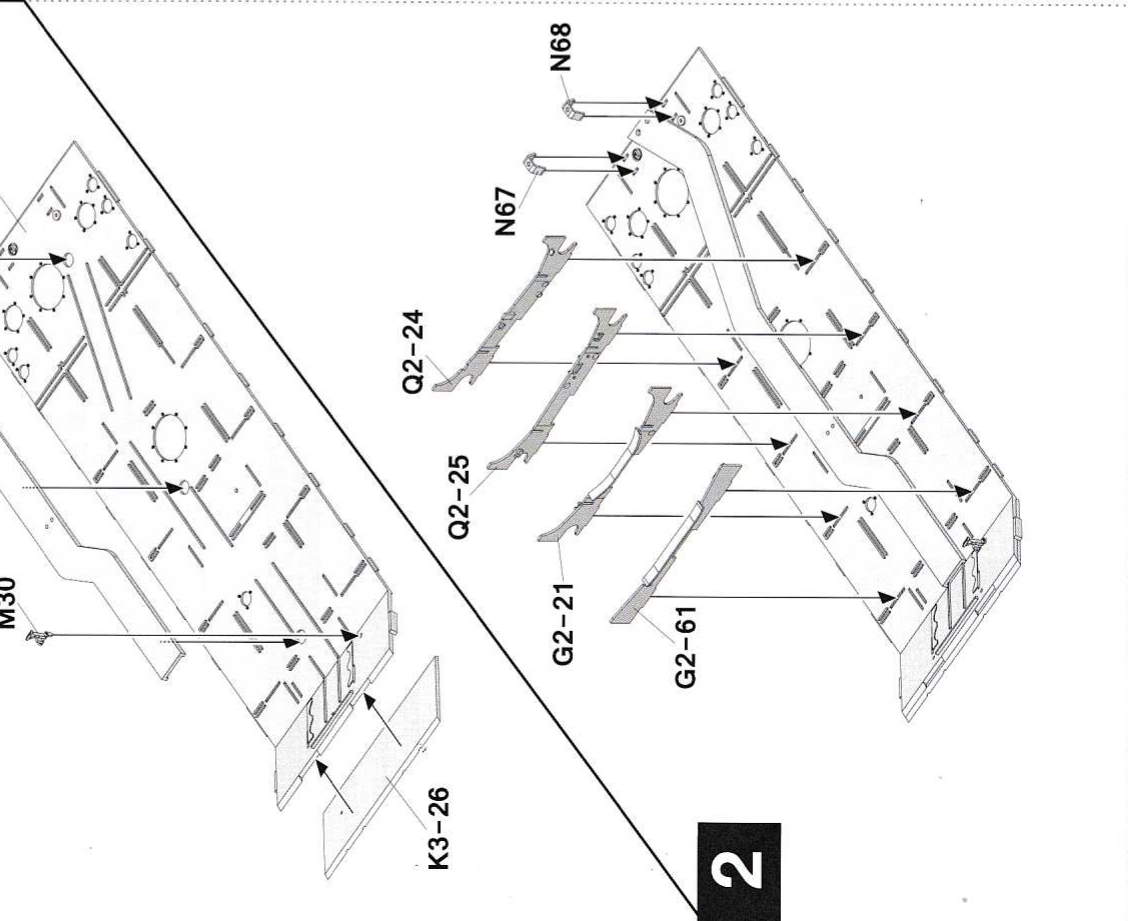
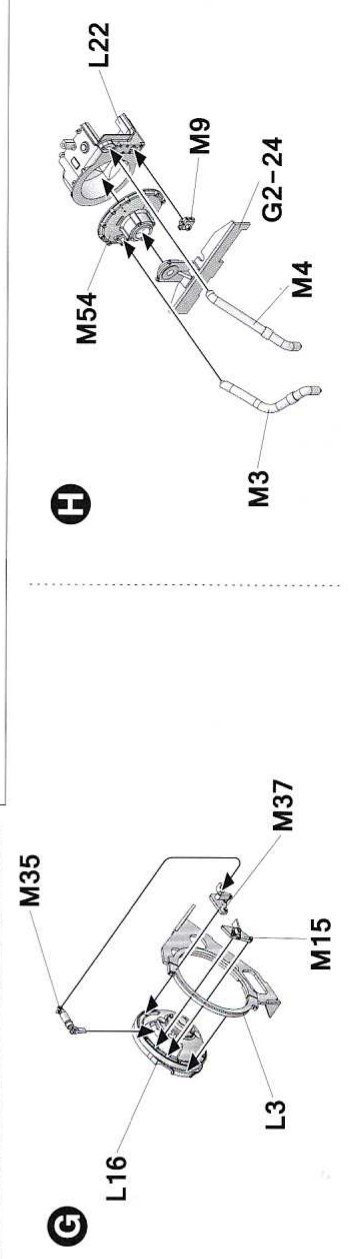
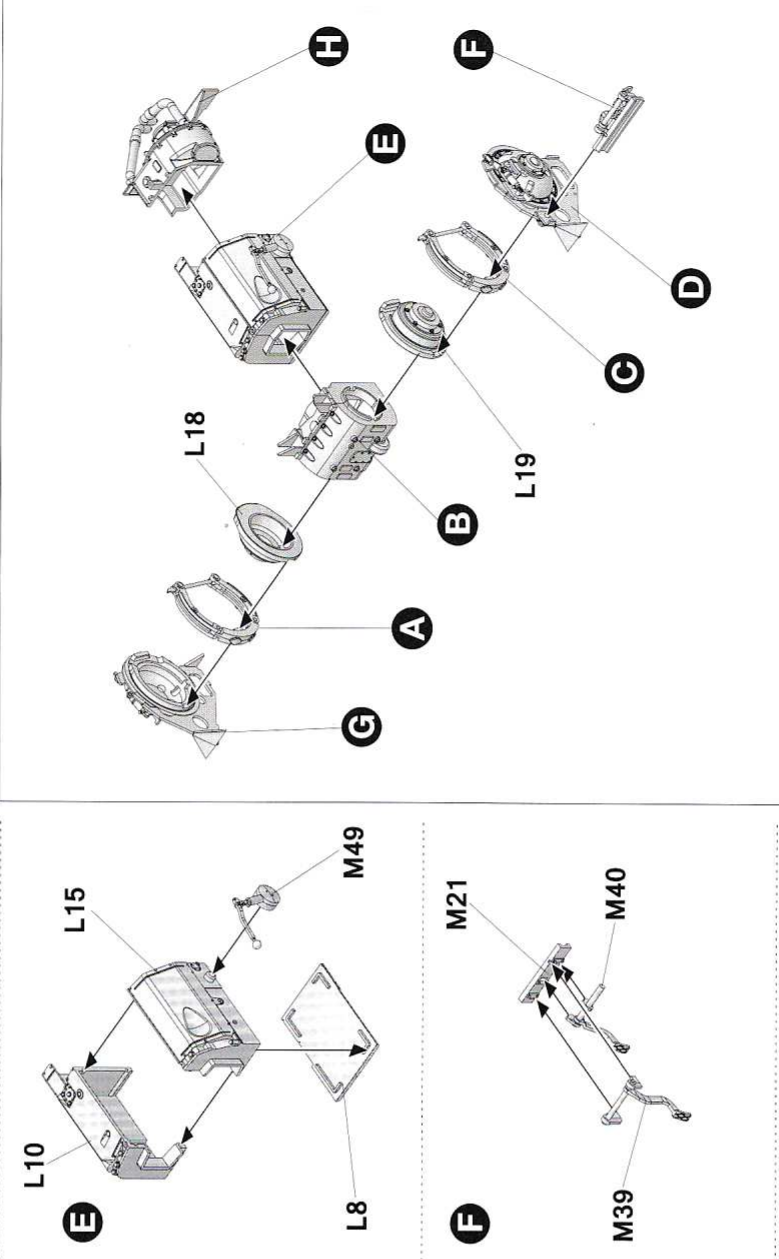
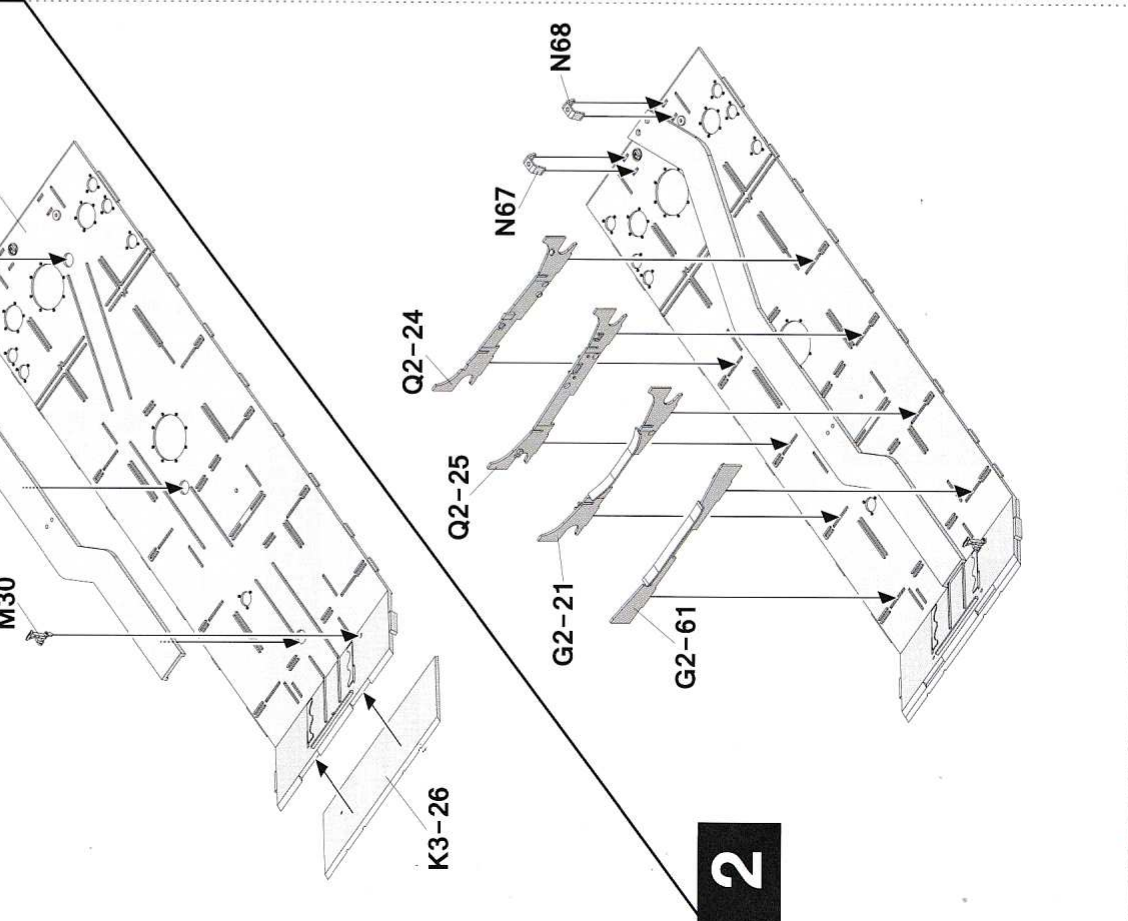
1



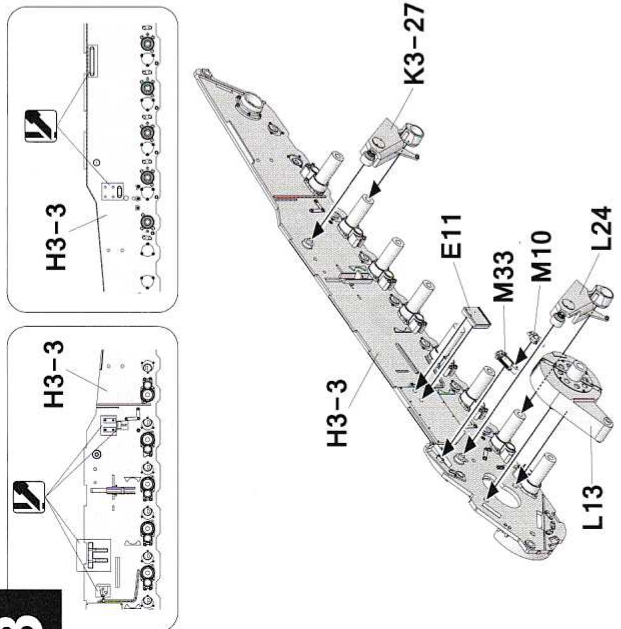
2



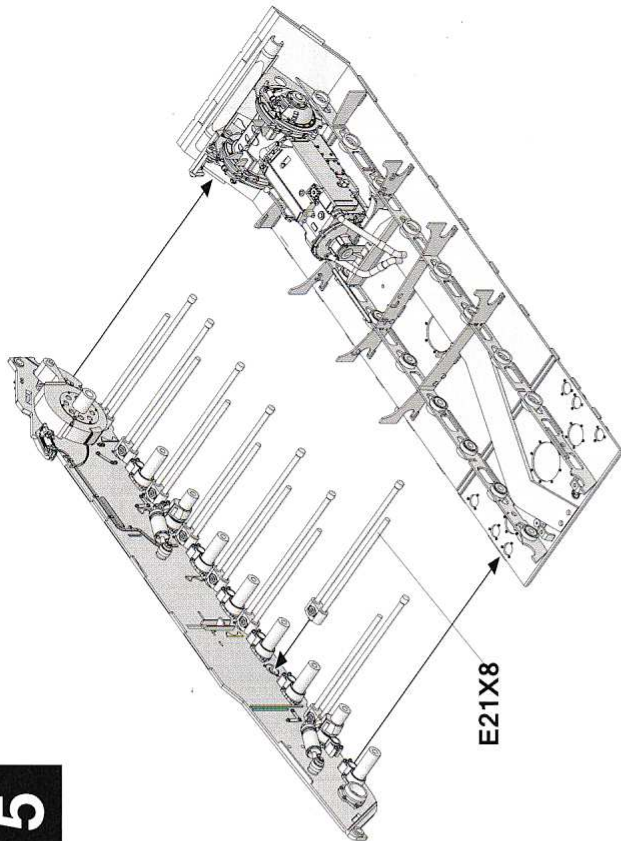
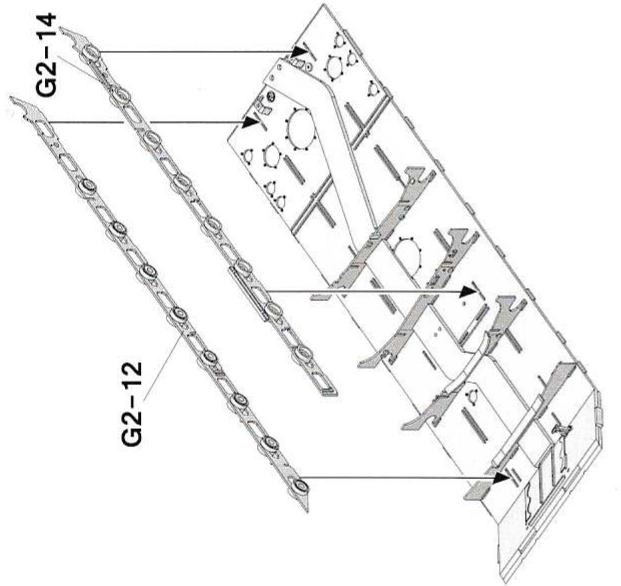
3



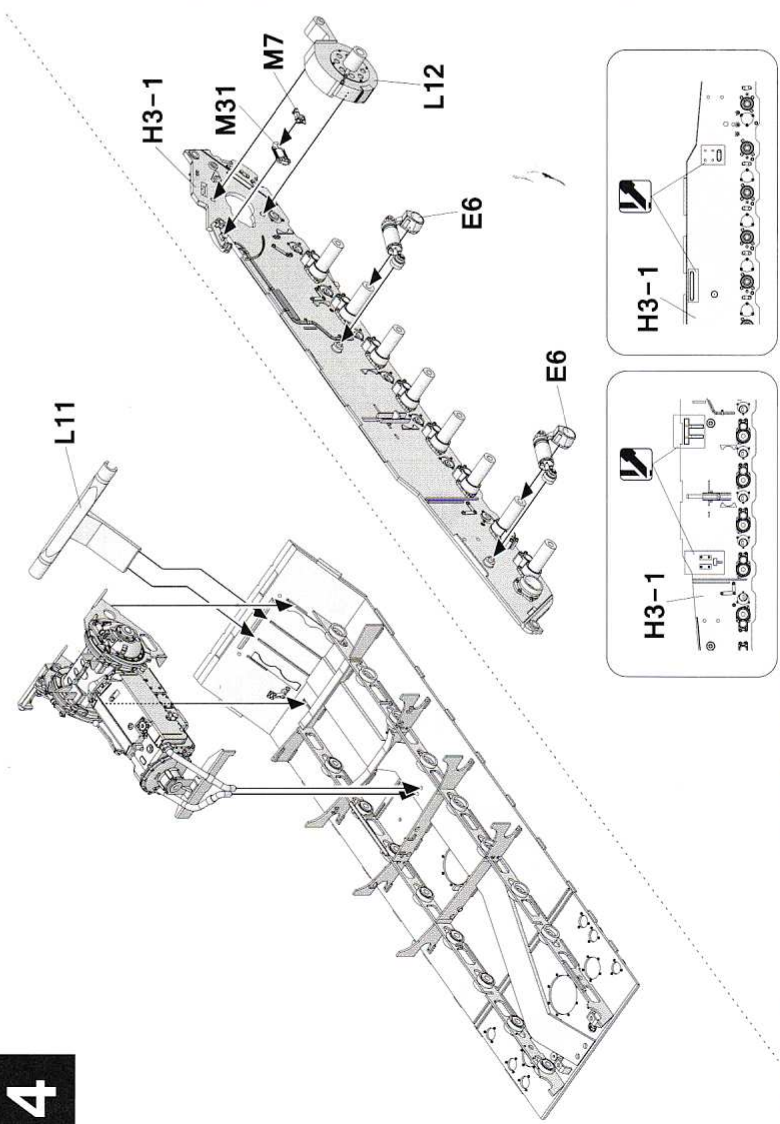
3



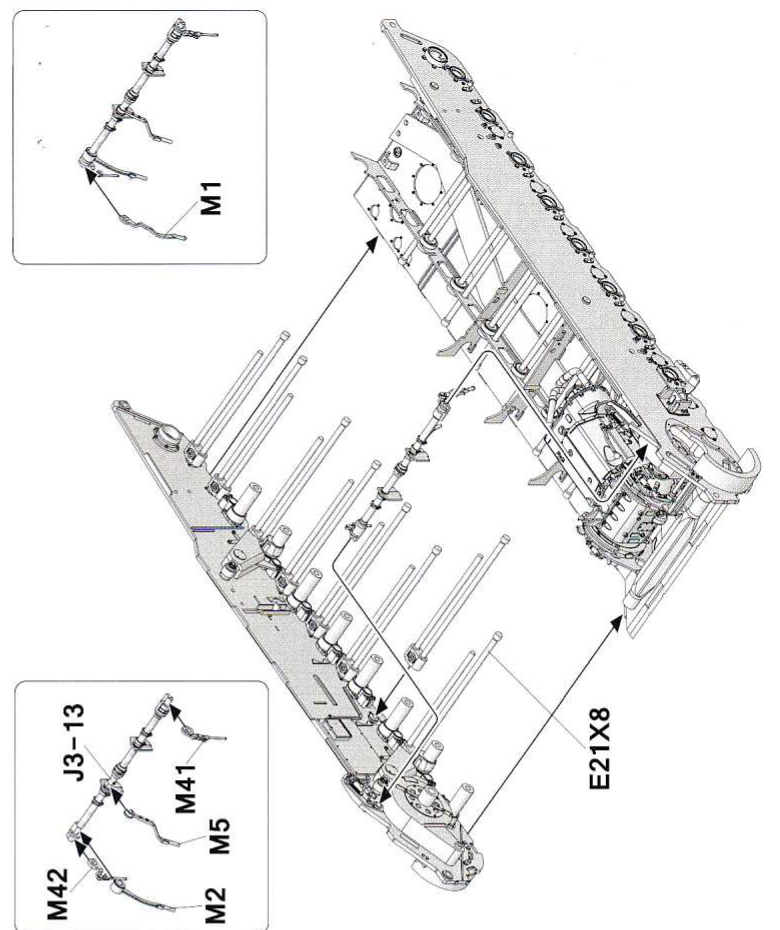
5



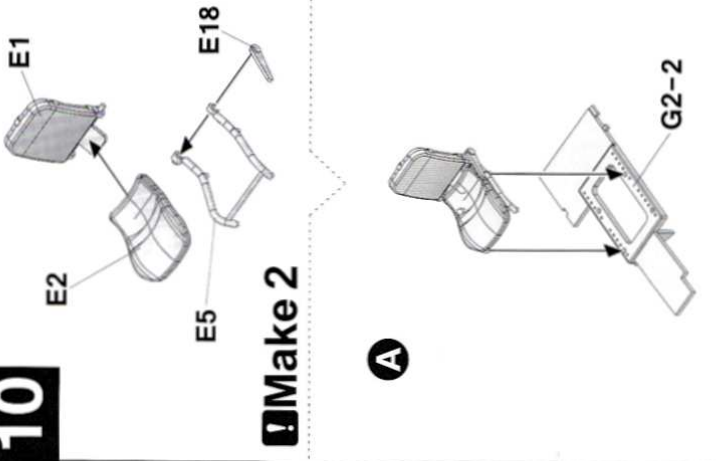
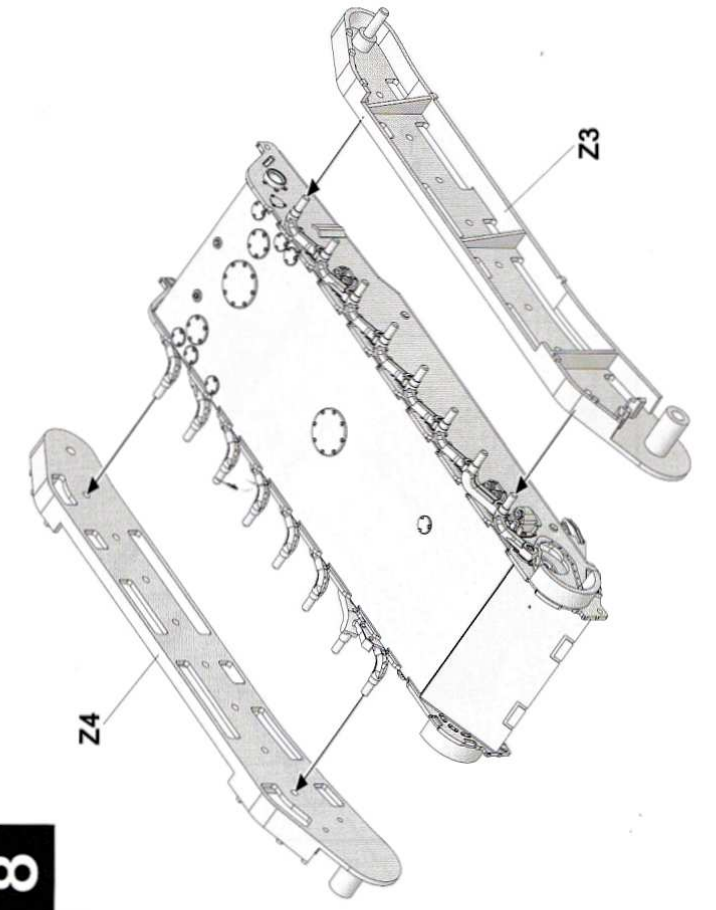
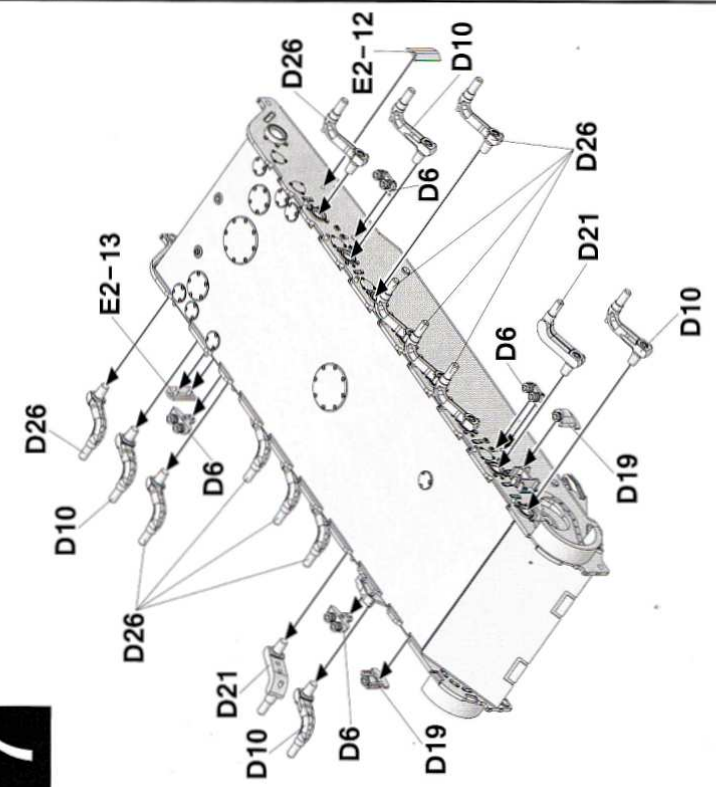
4



6

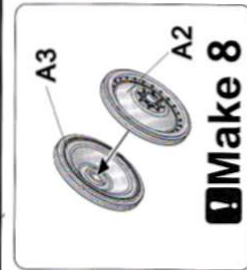


4

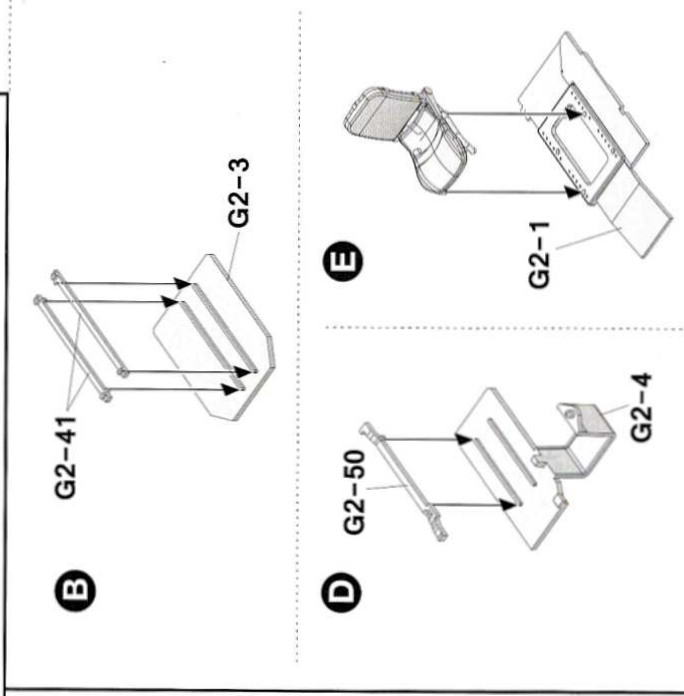
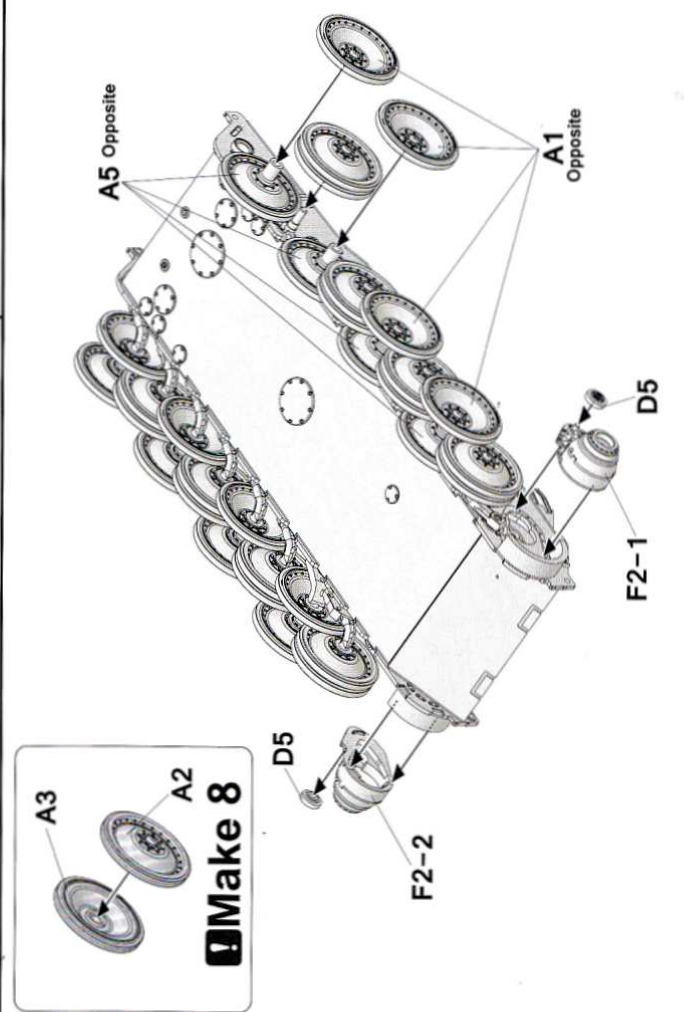


Make 2

A



Make 8

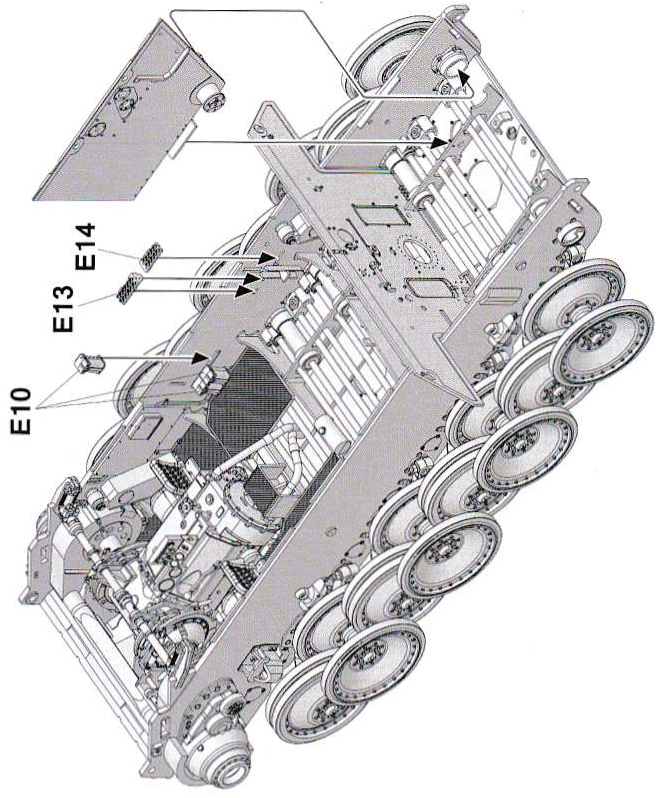
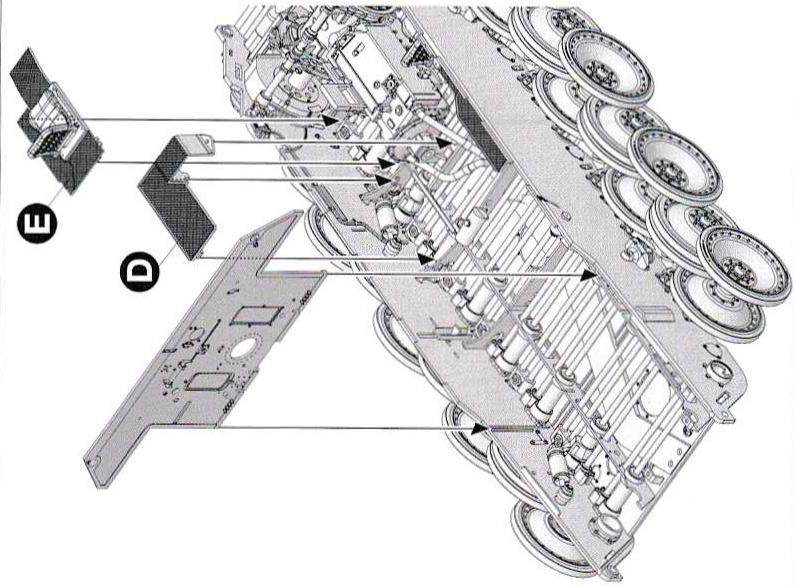
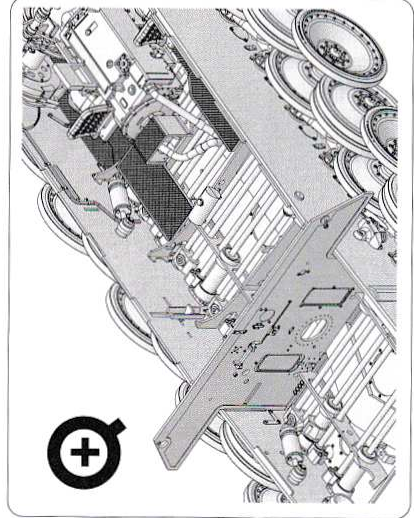
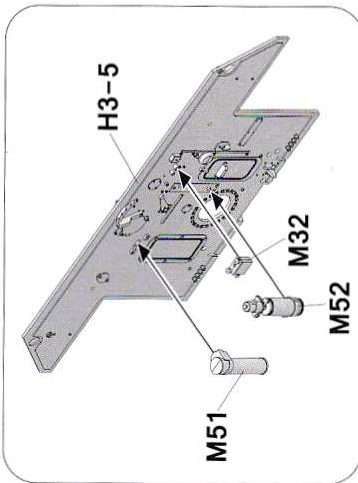
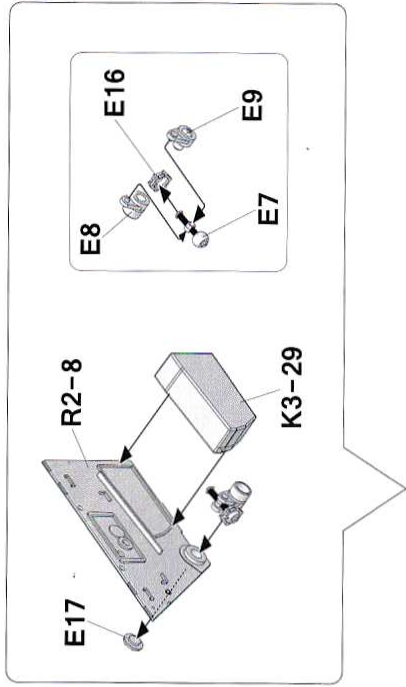
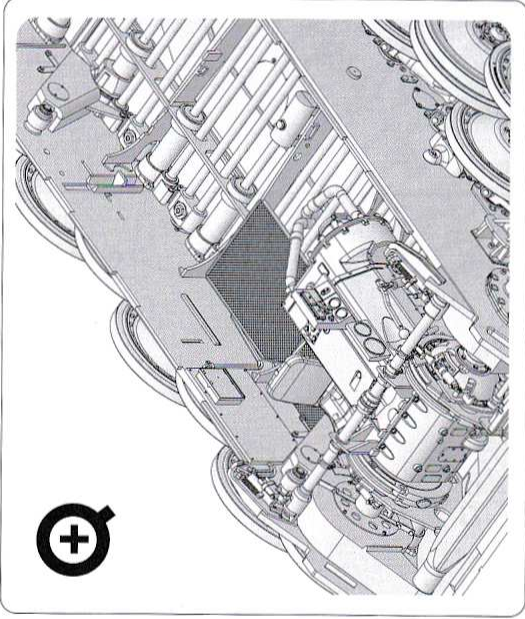
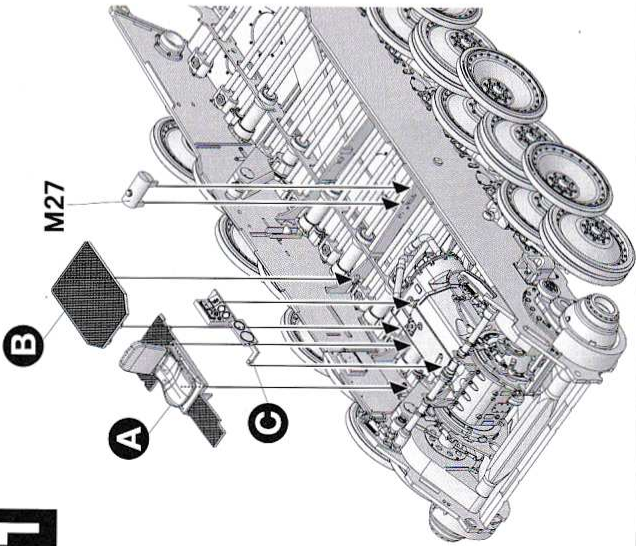


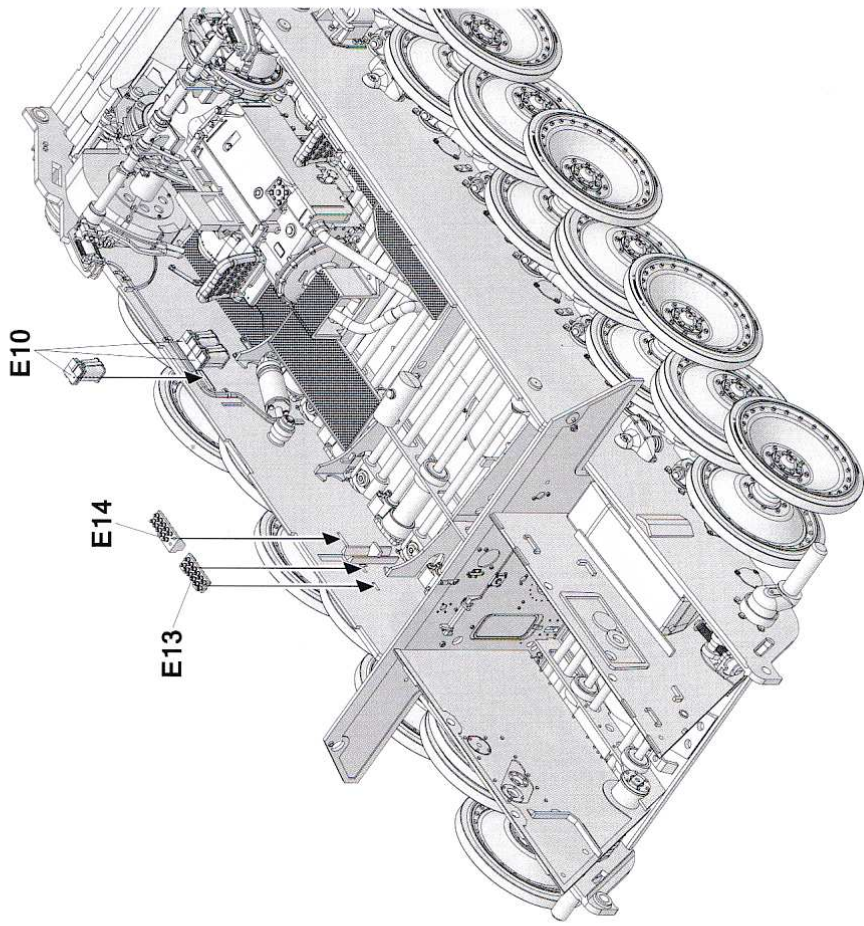
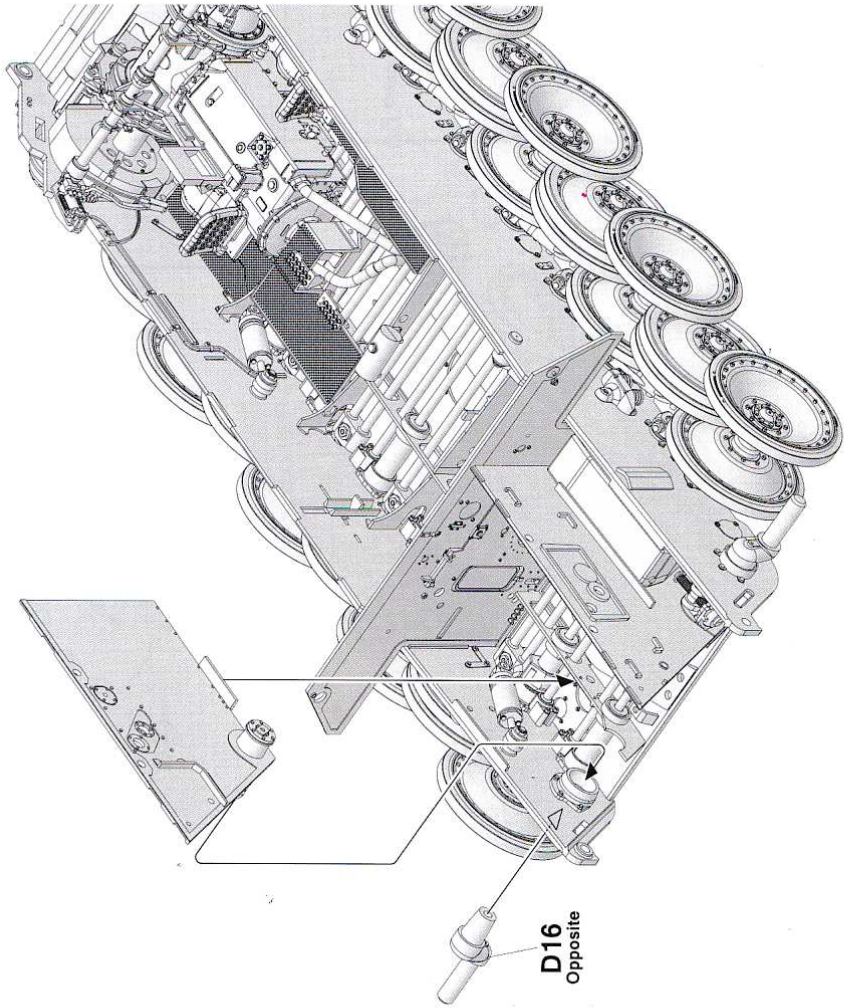
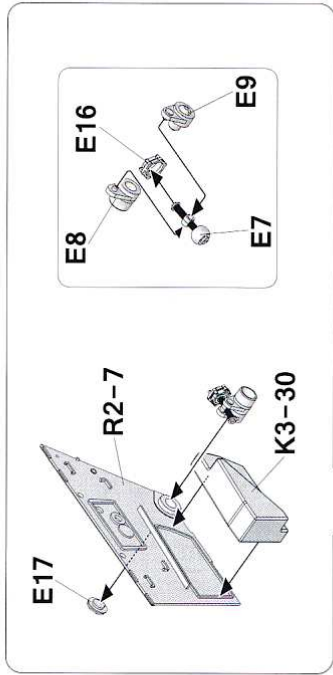
B

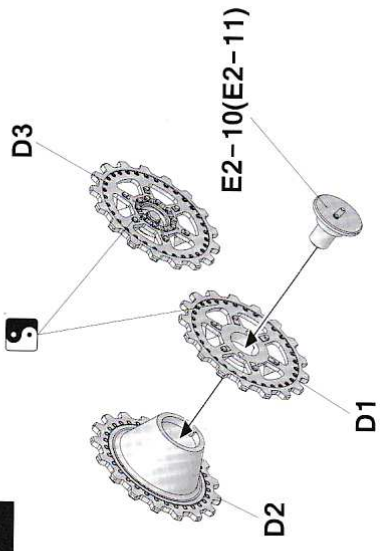
C

D

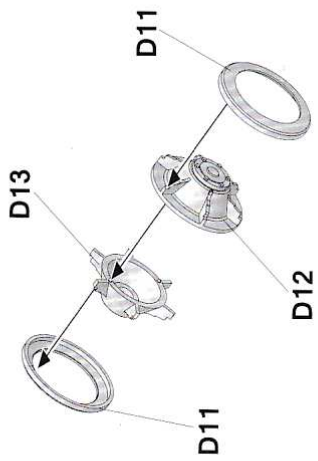
E



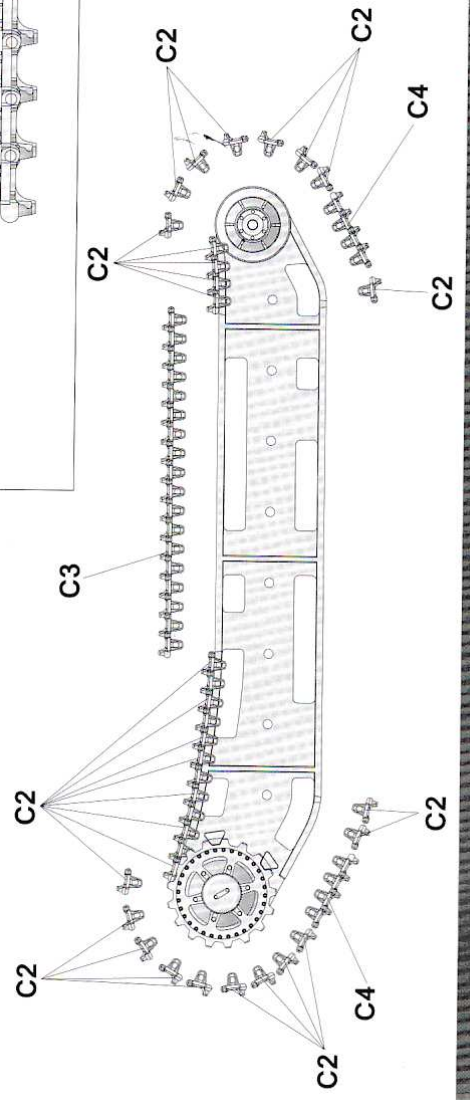
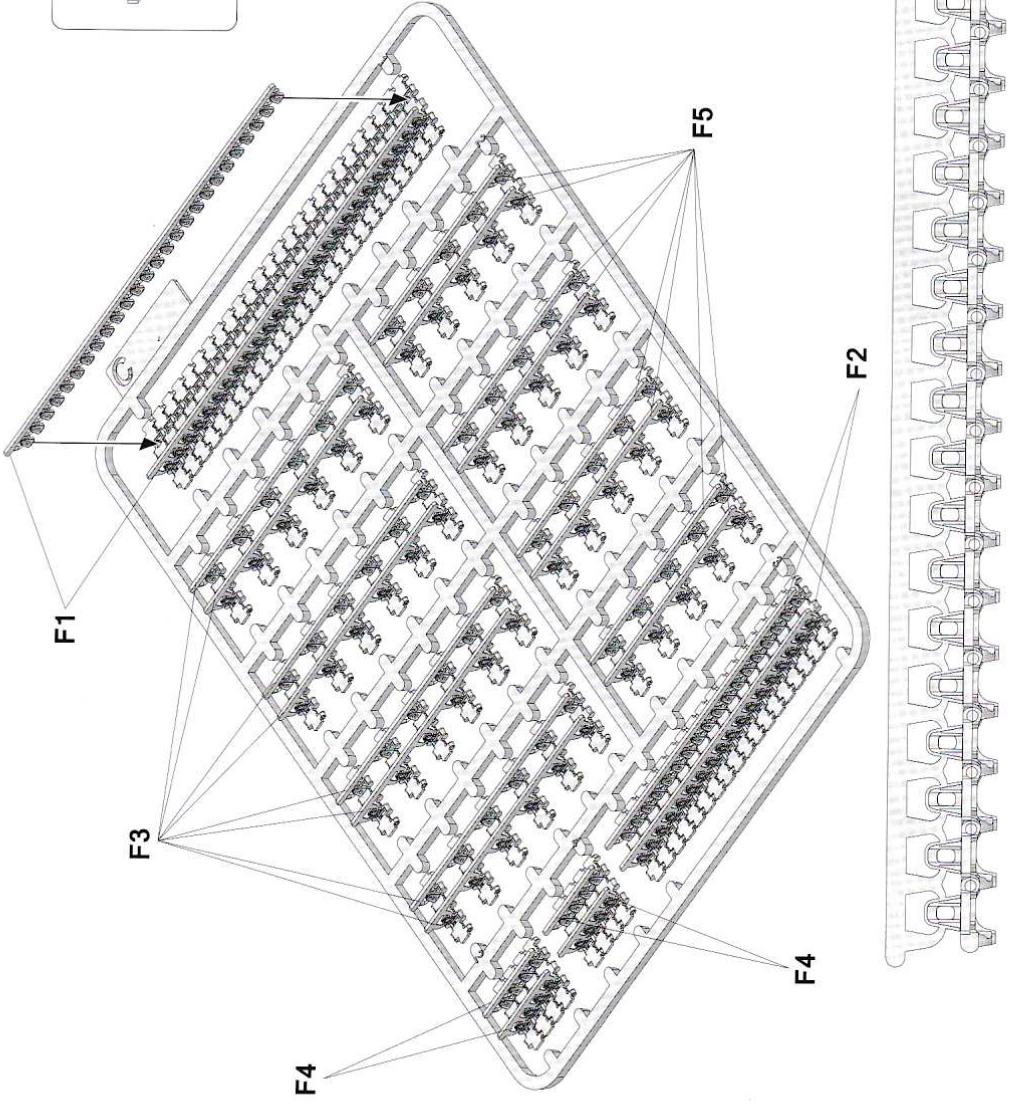
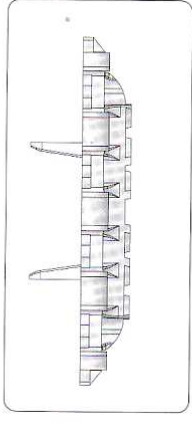


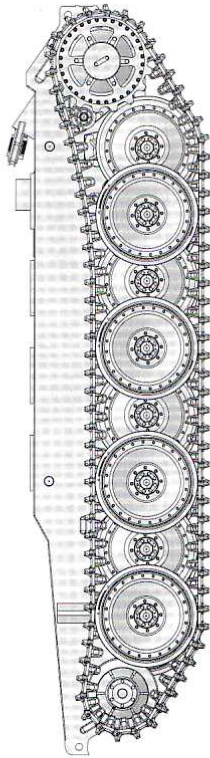
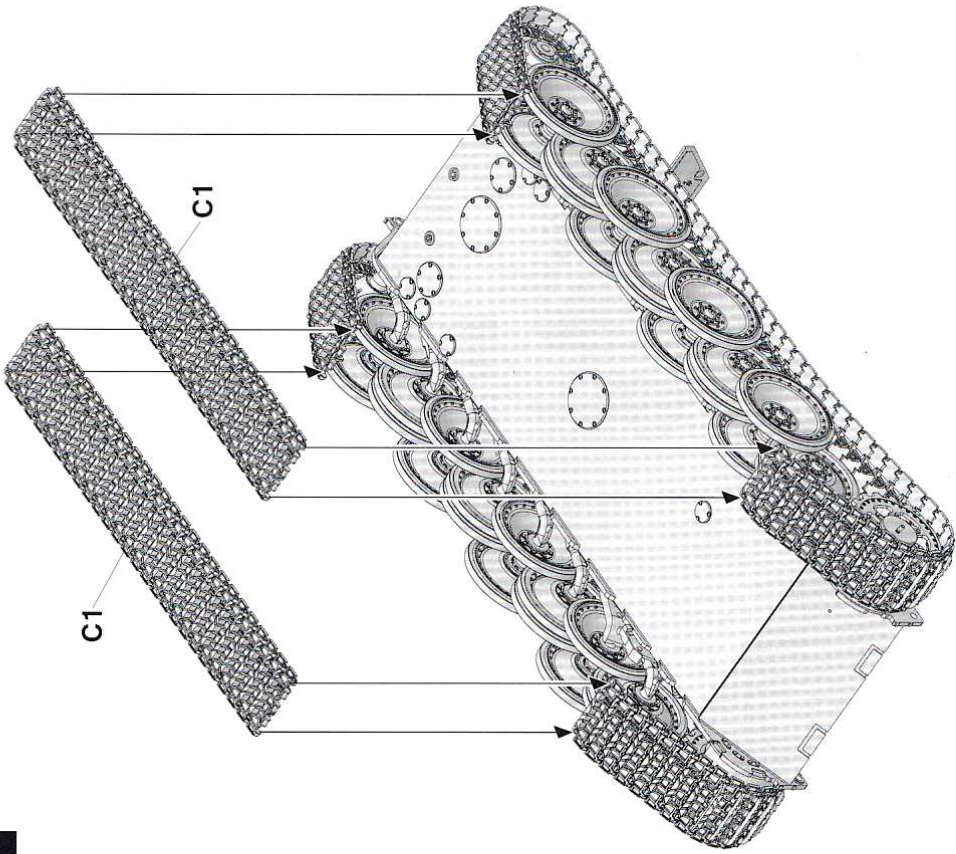
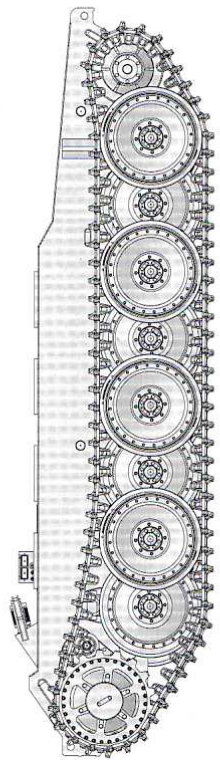
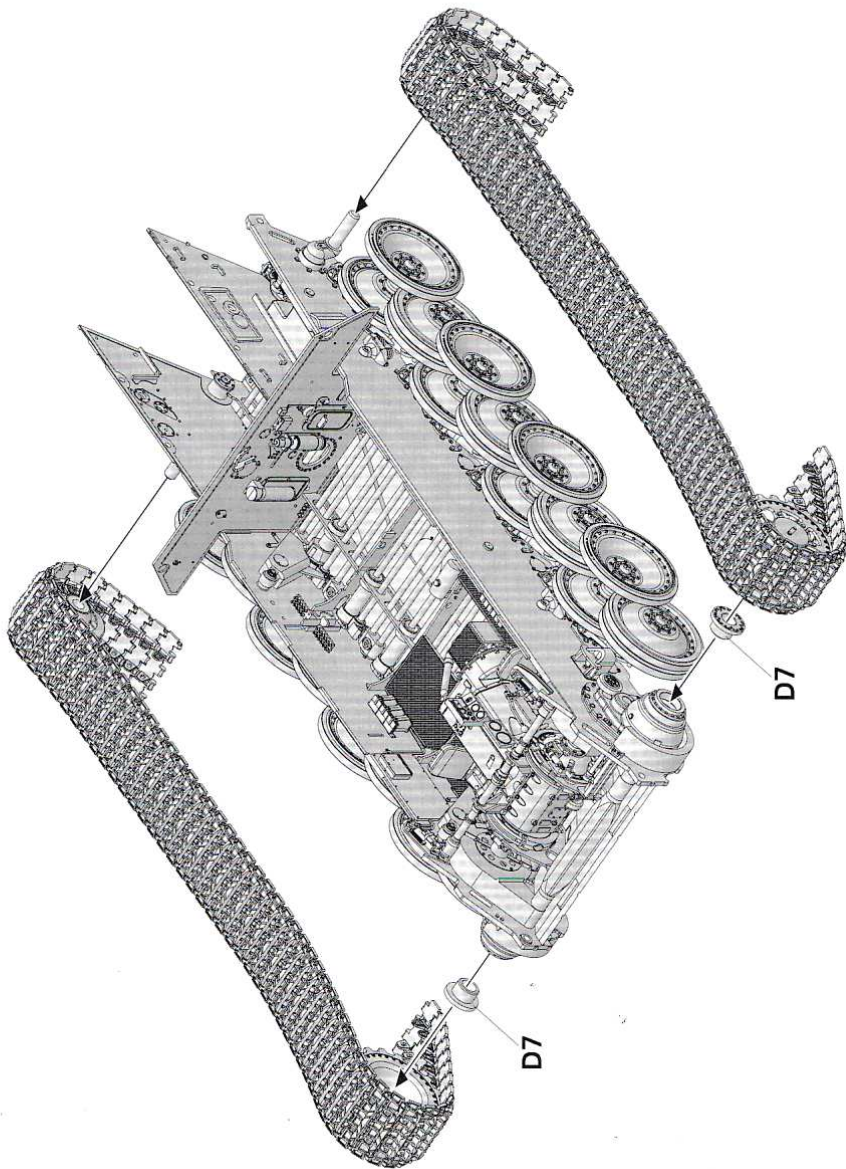


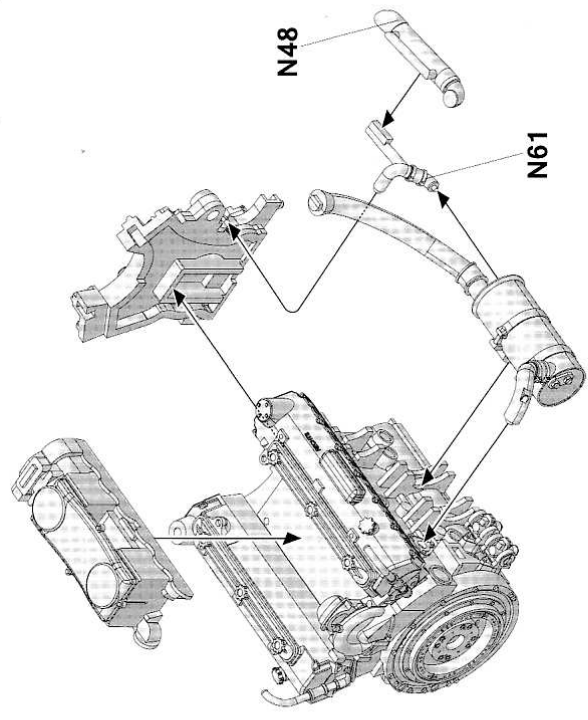
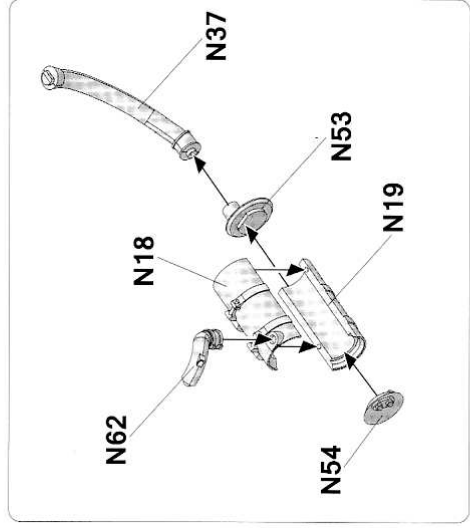
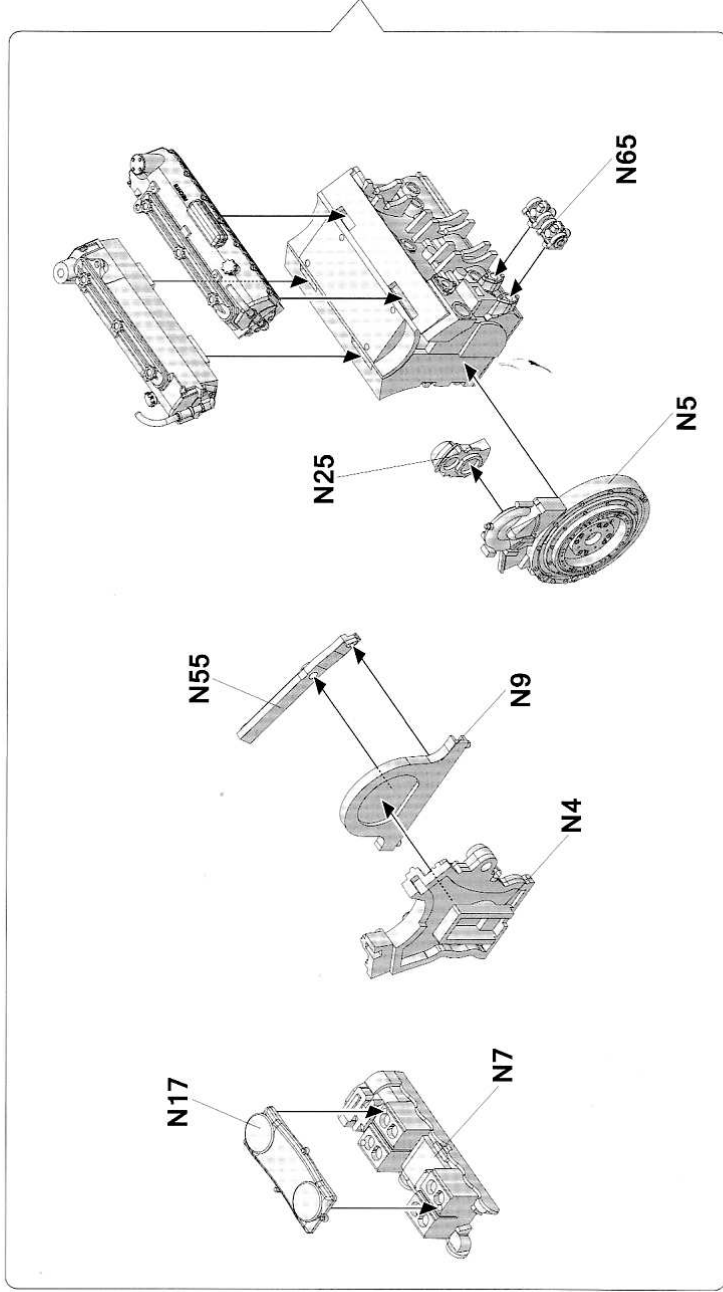
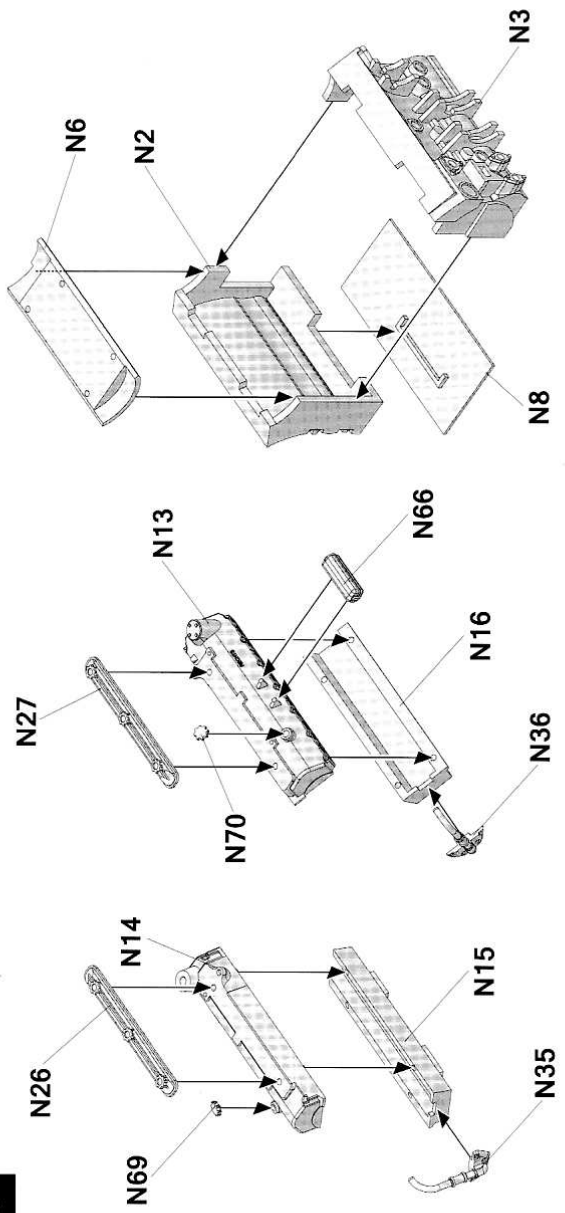
Make 2

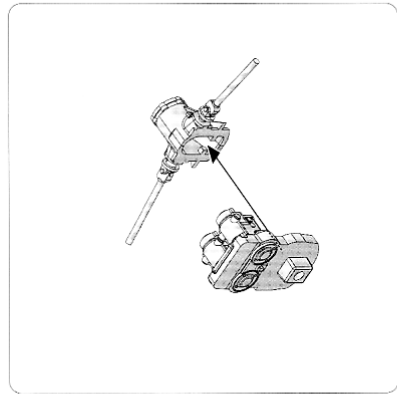
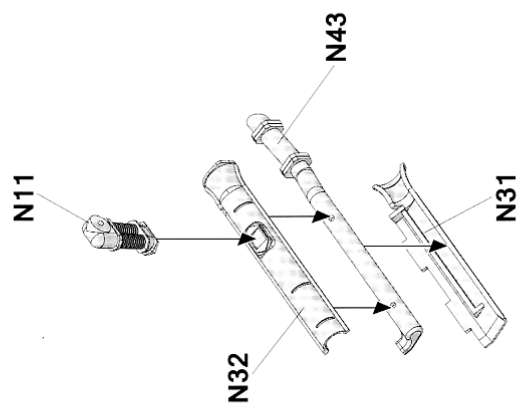
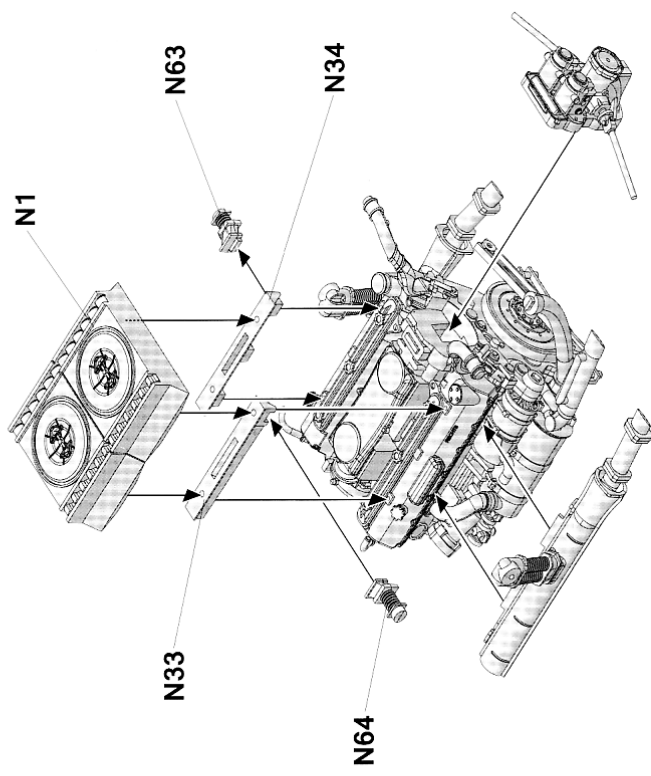
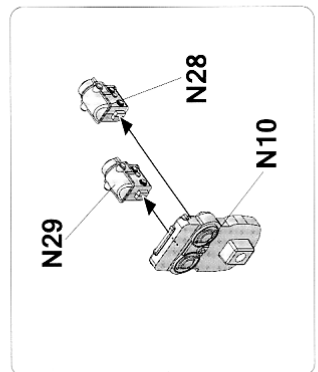
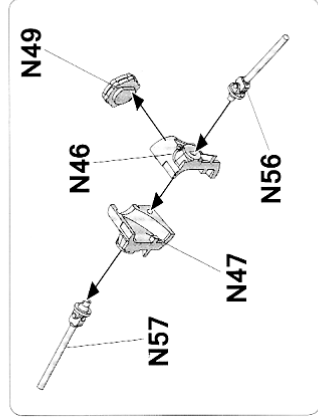
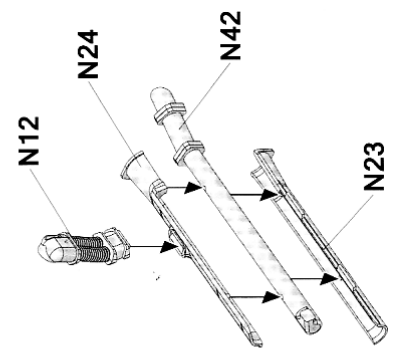
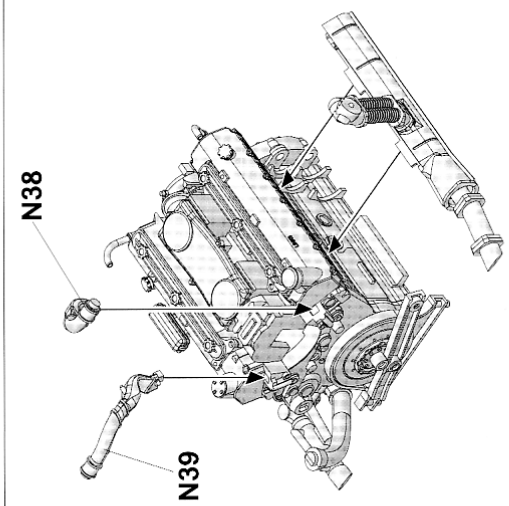
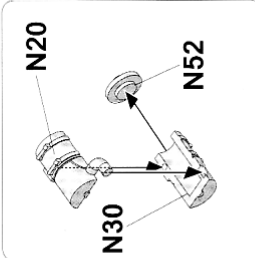
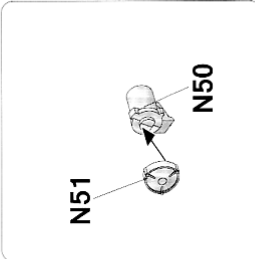
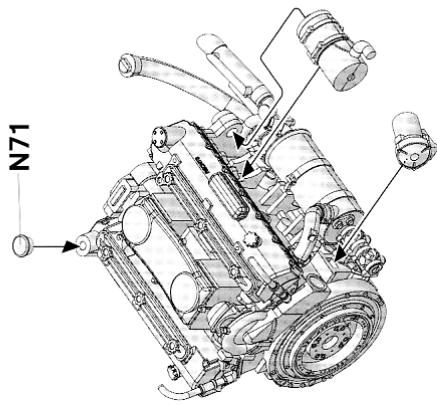


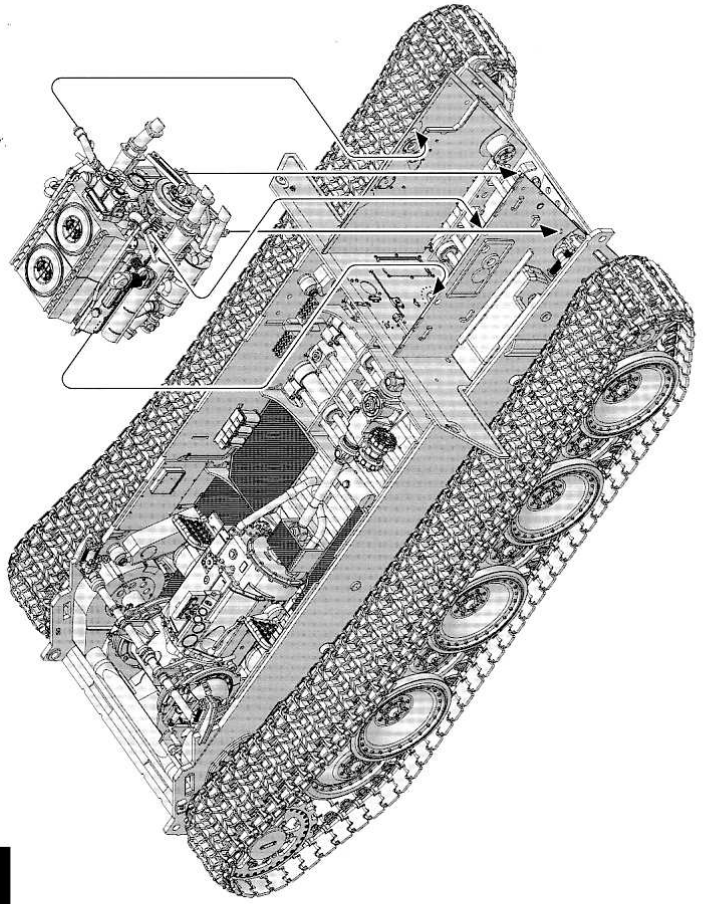
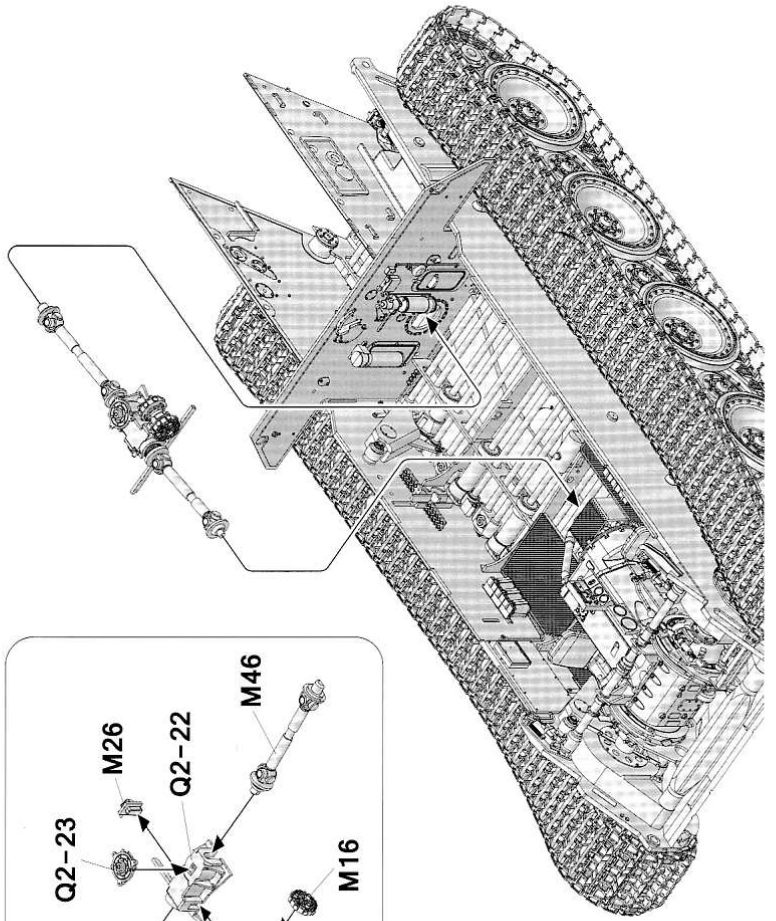
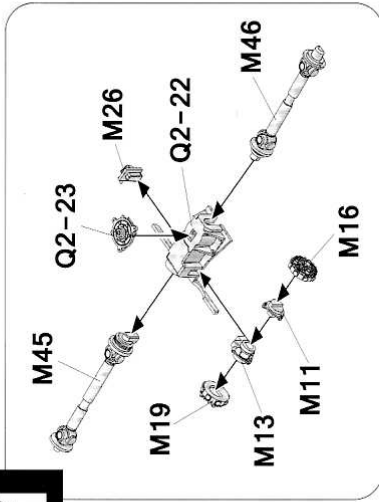
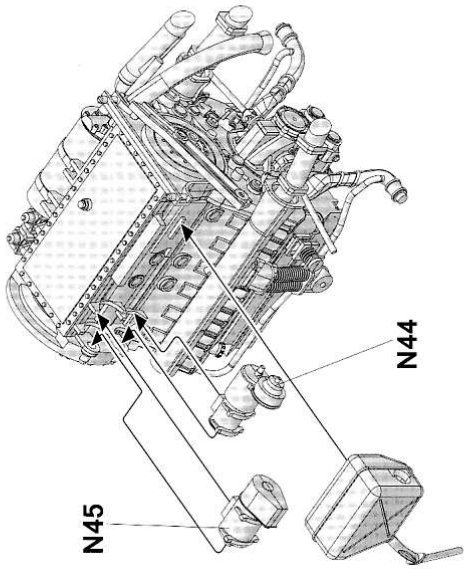
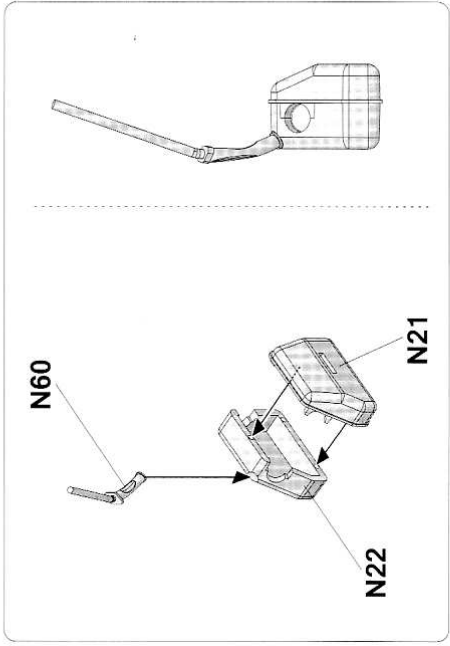
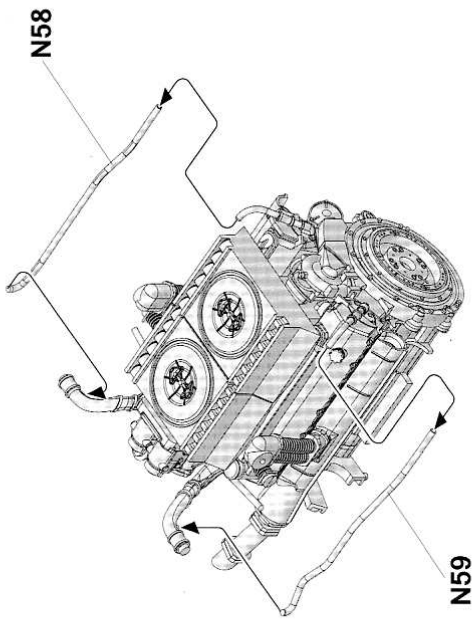
Make 2

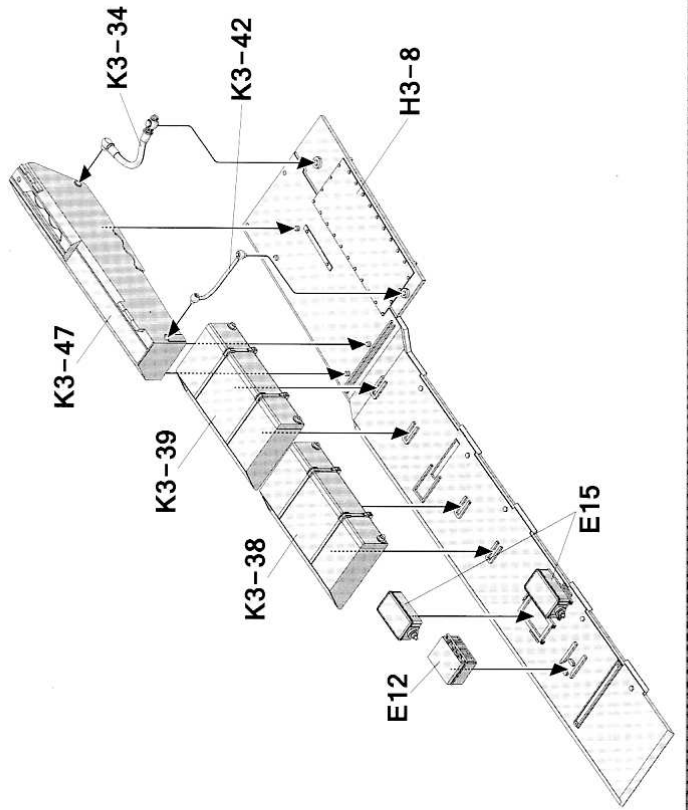
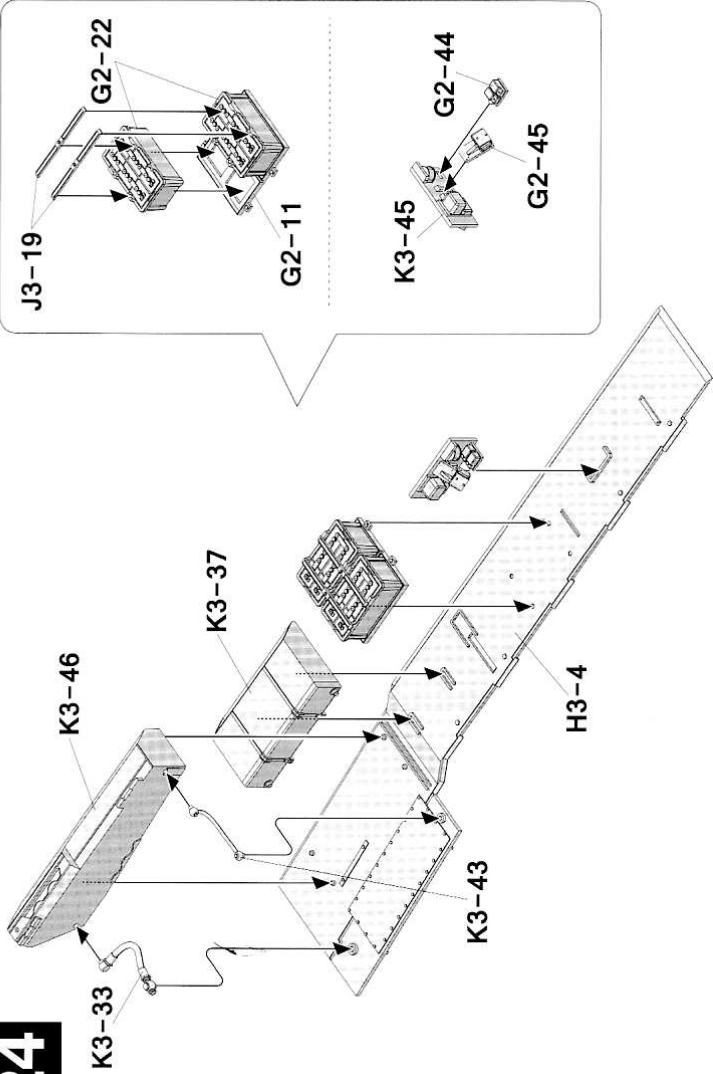
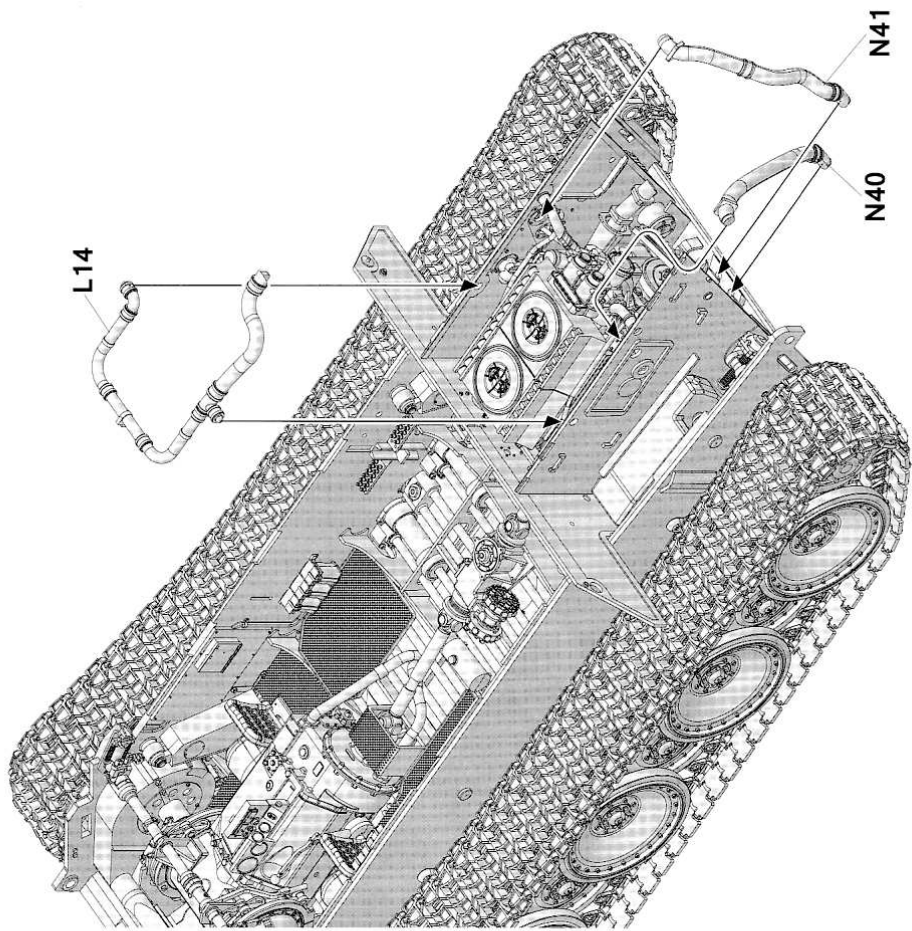


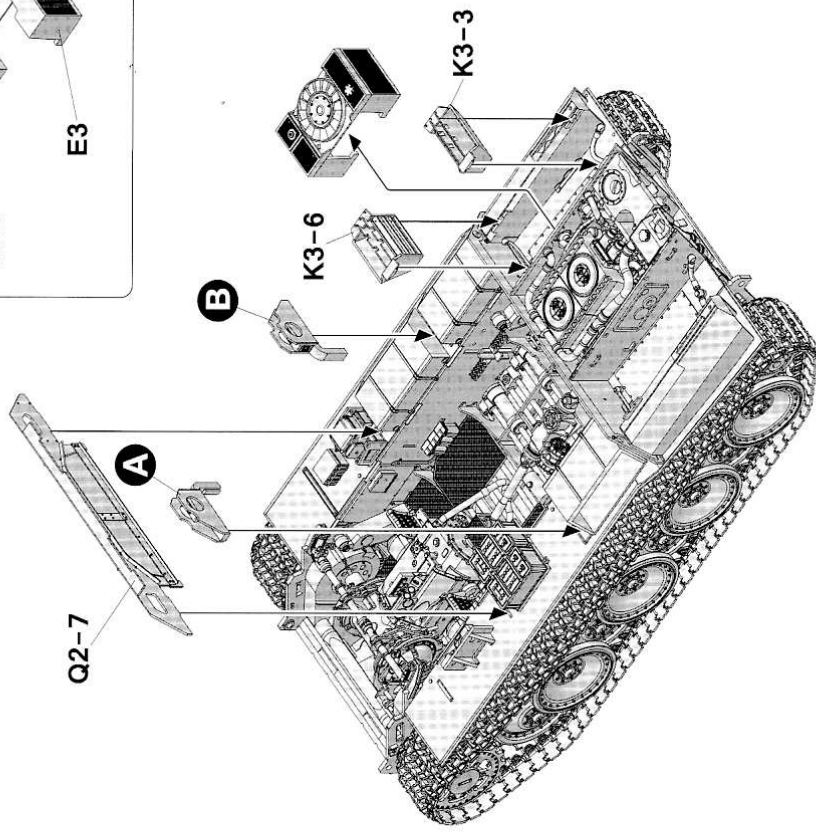
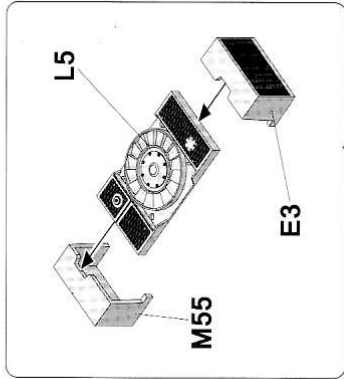
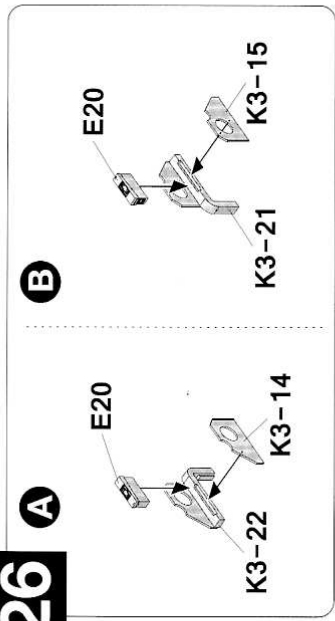
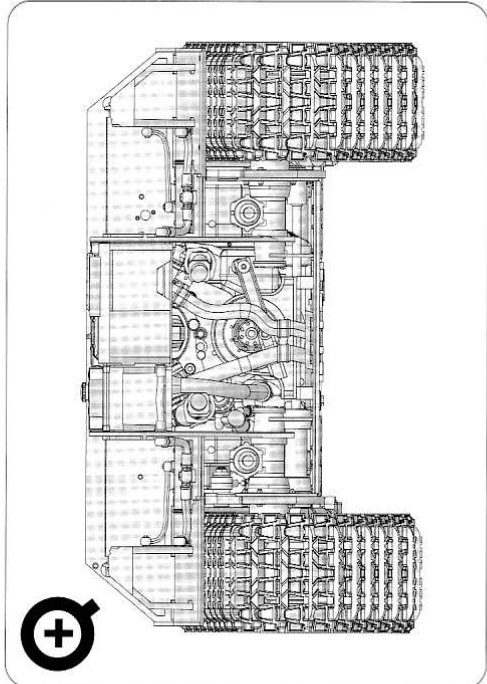
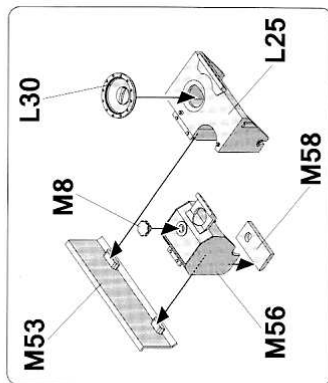
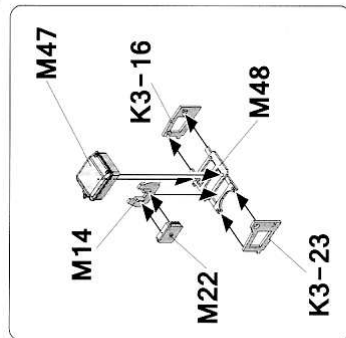
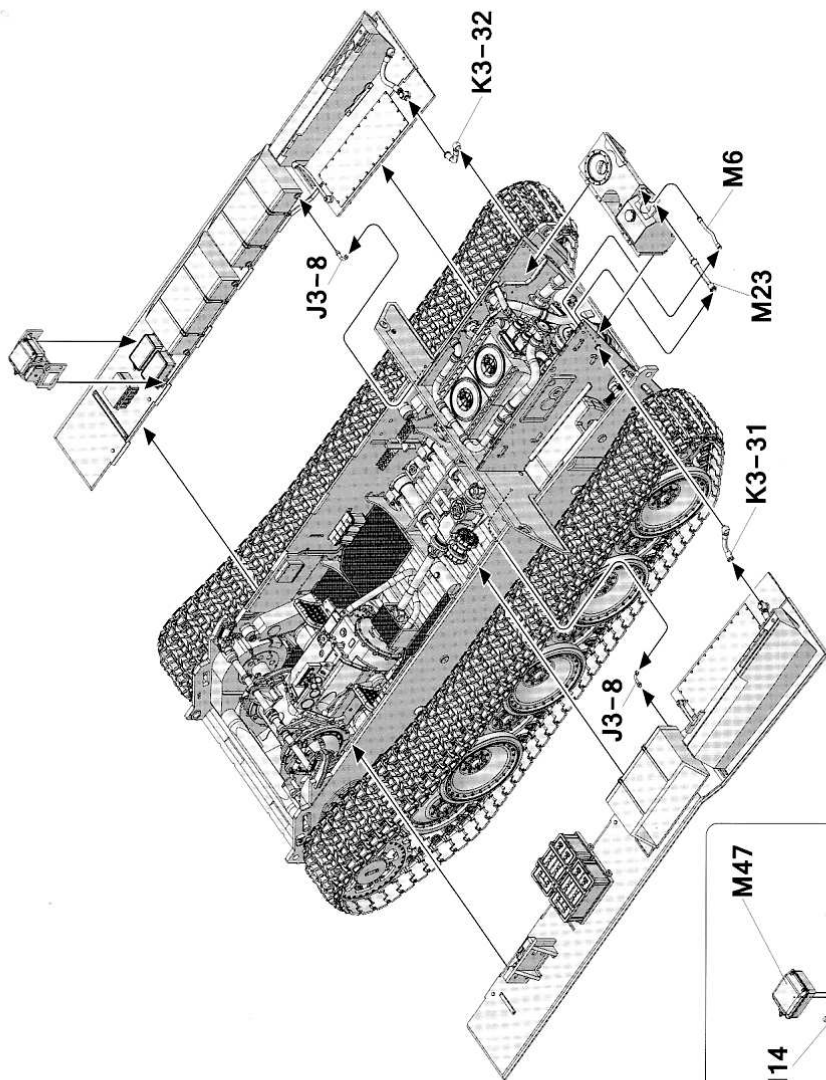


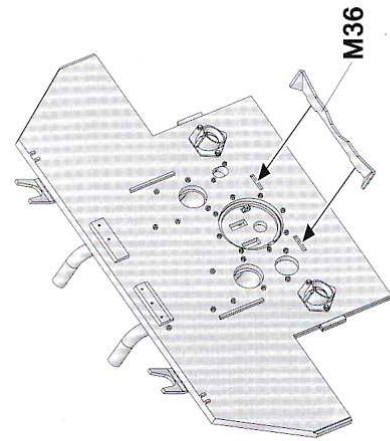
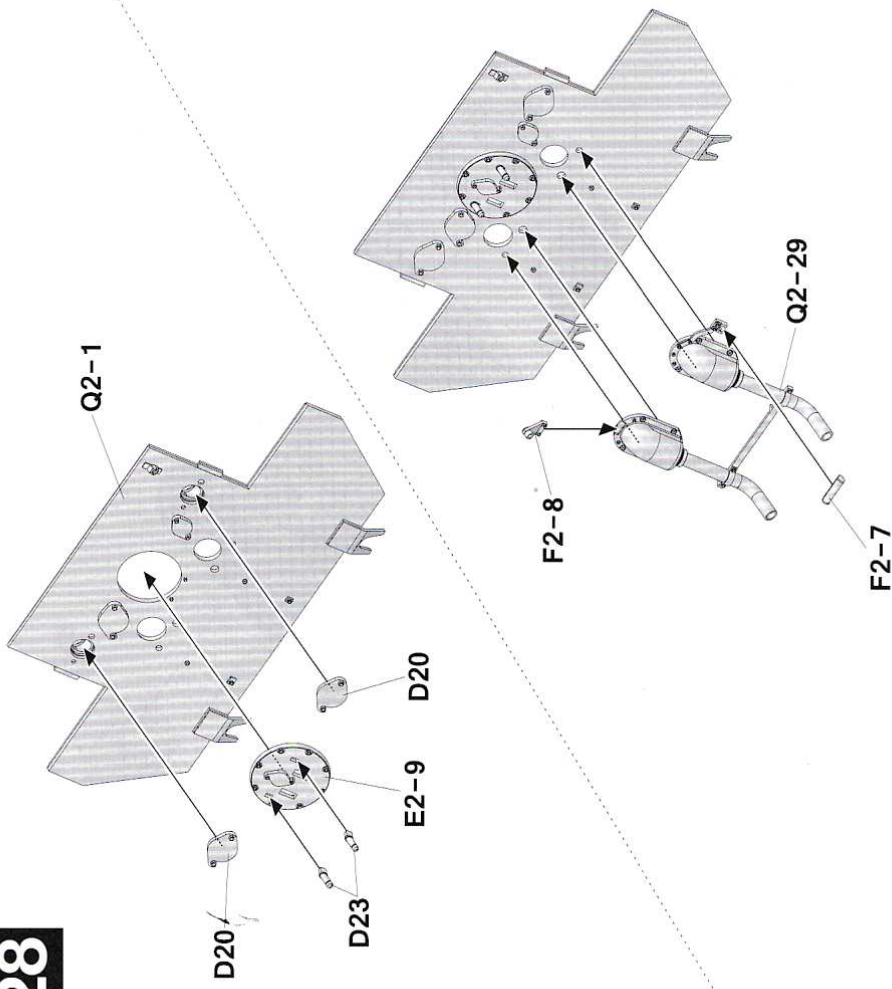
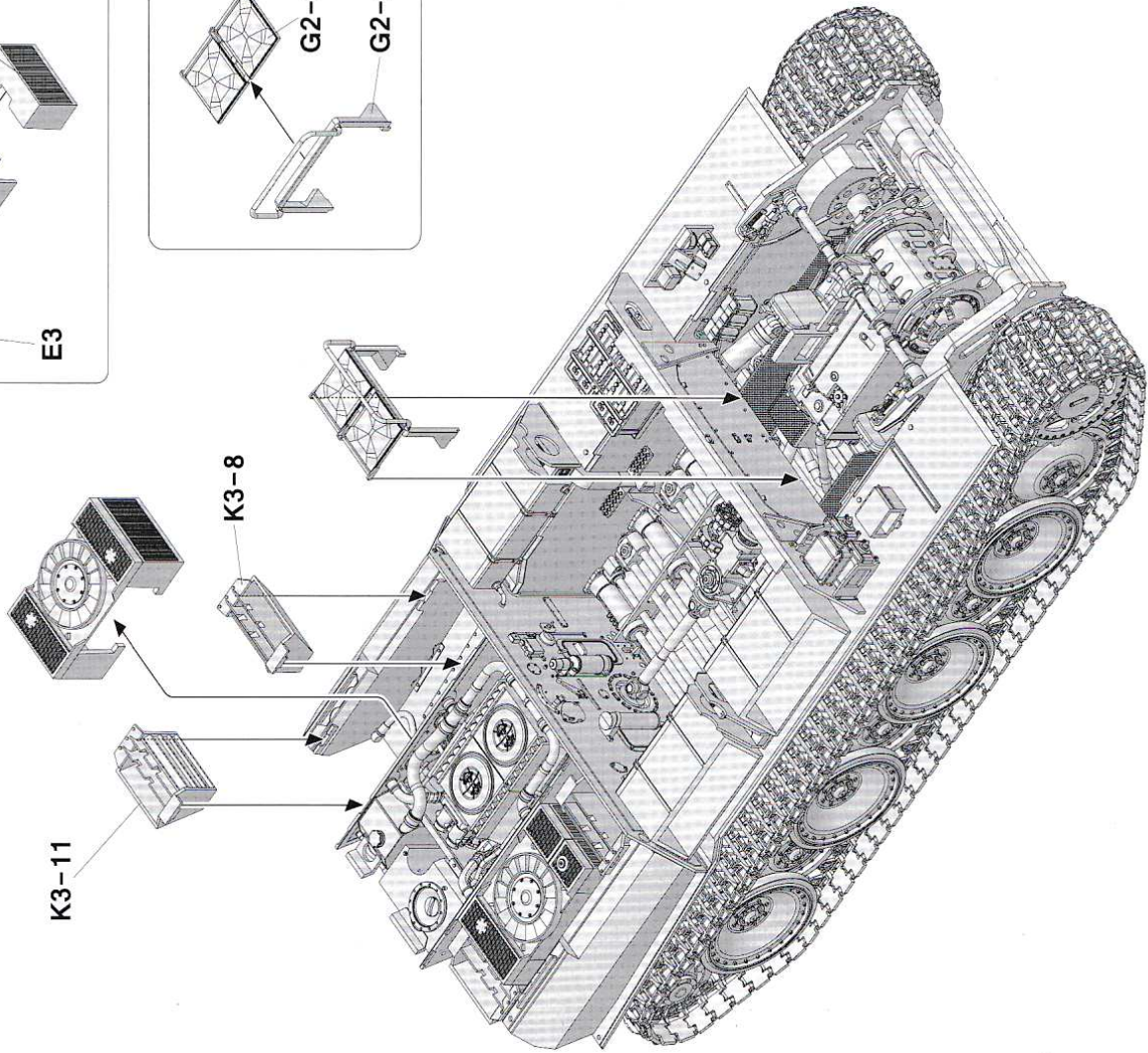
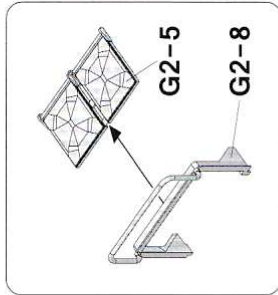
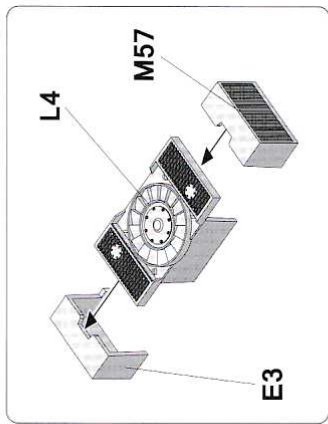


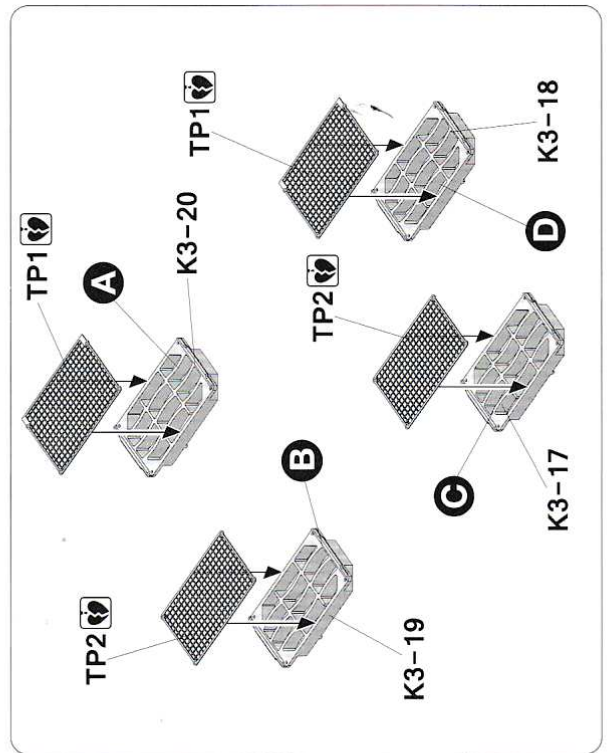
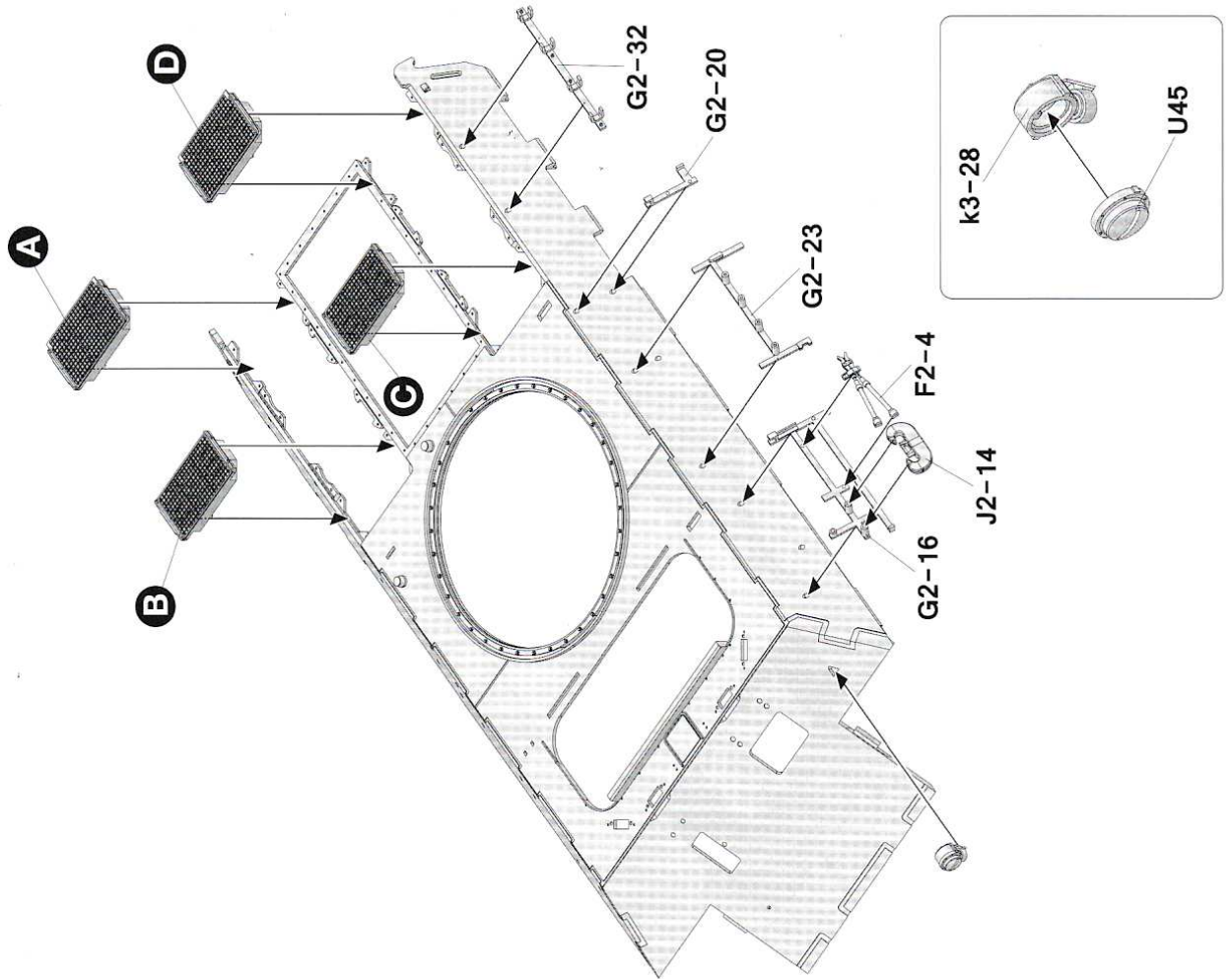
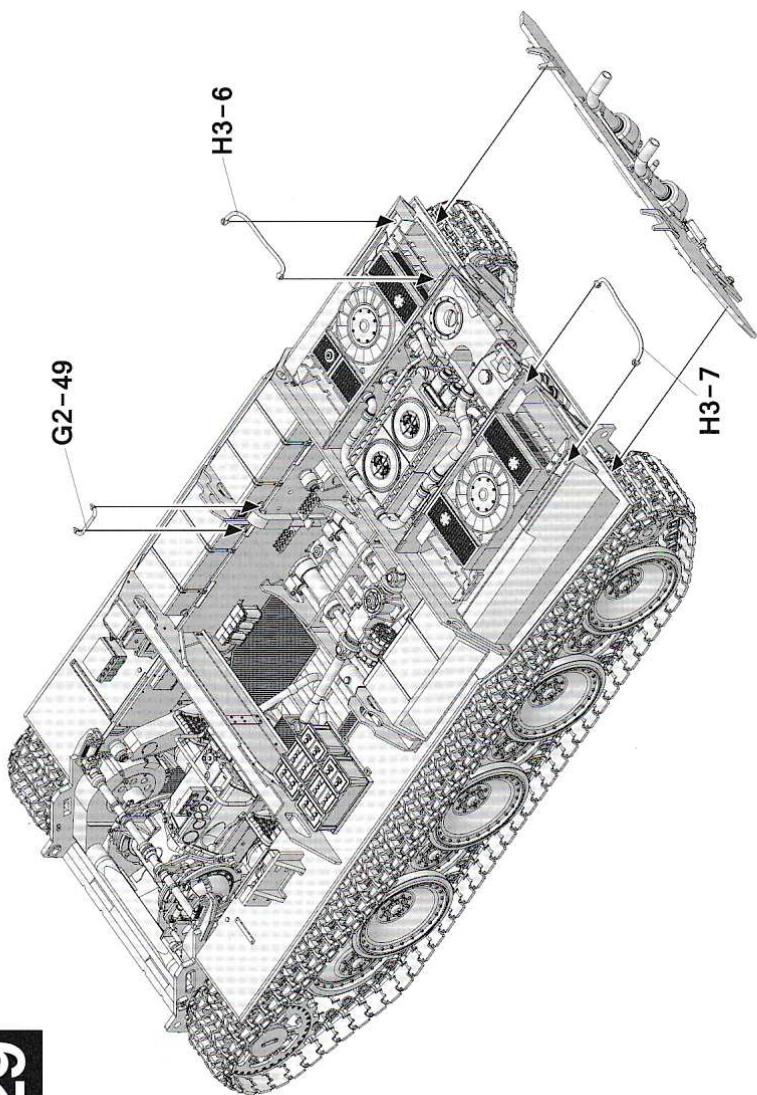


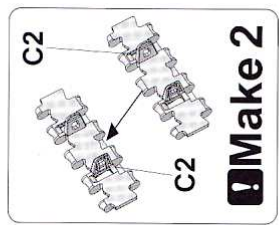
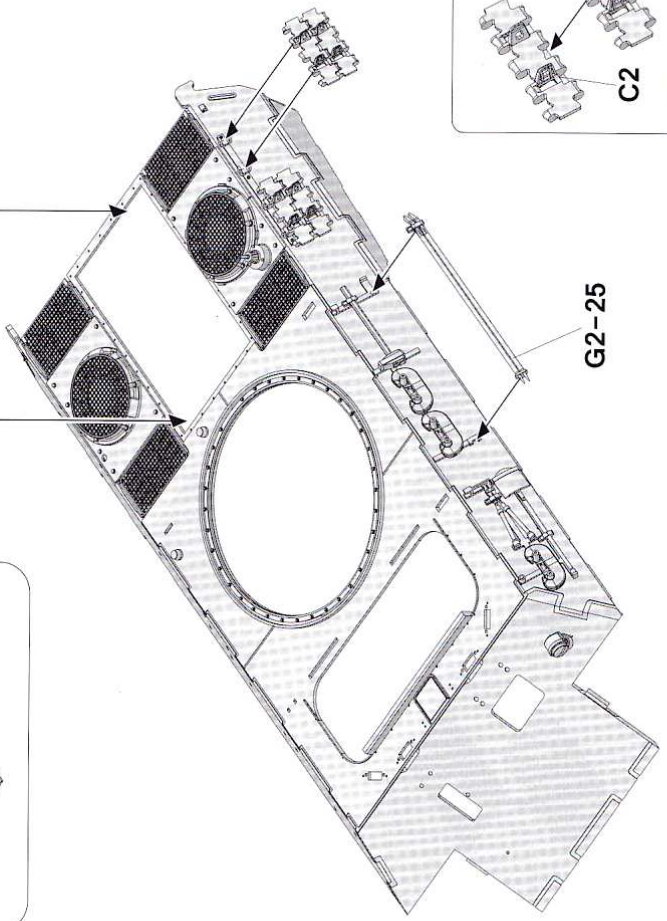
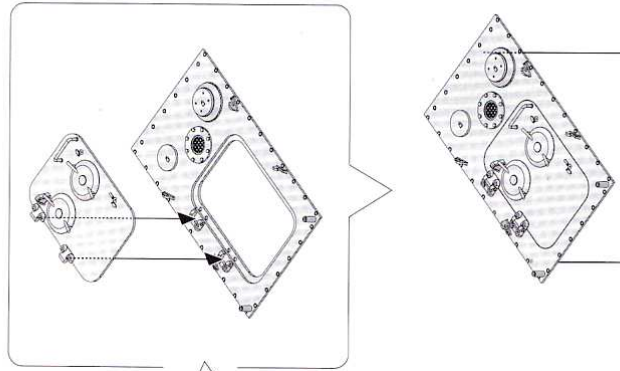
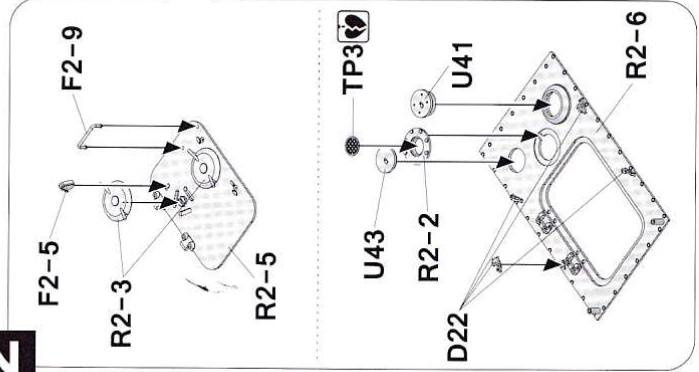
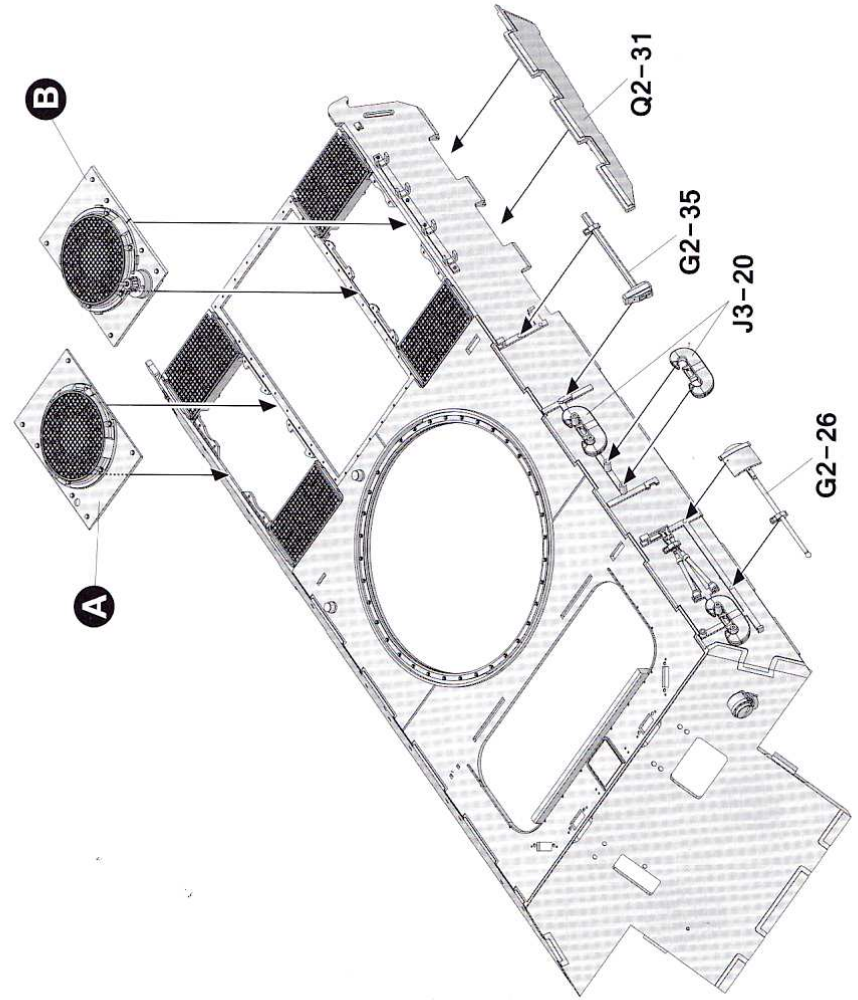
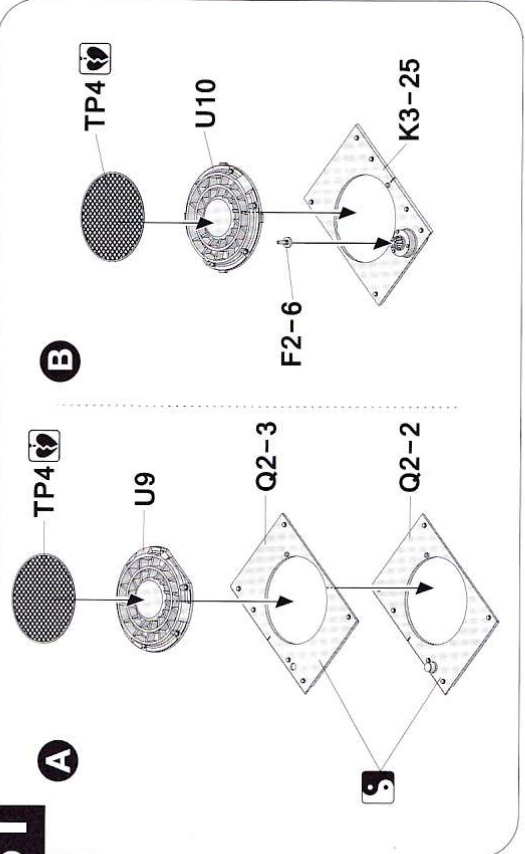


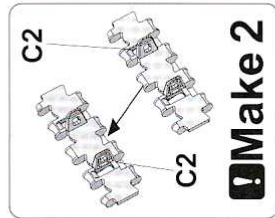
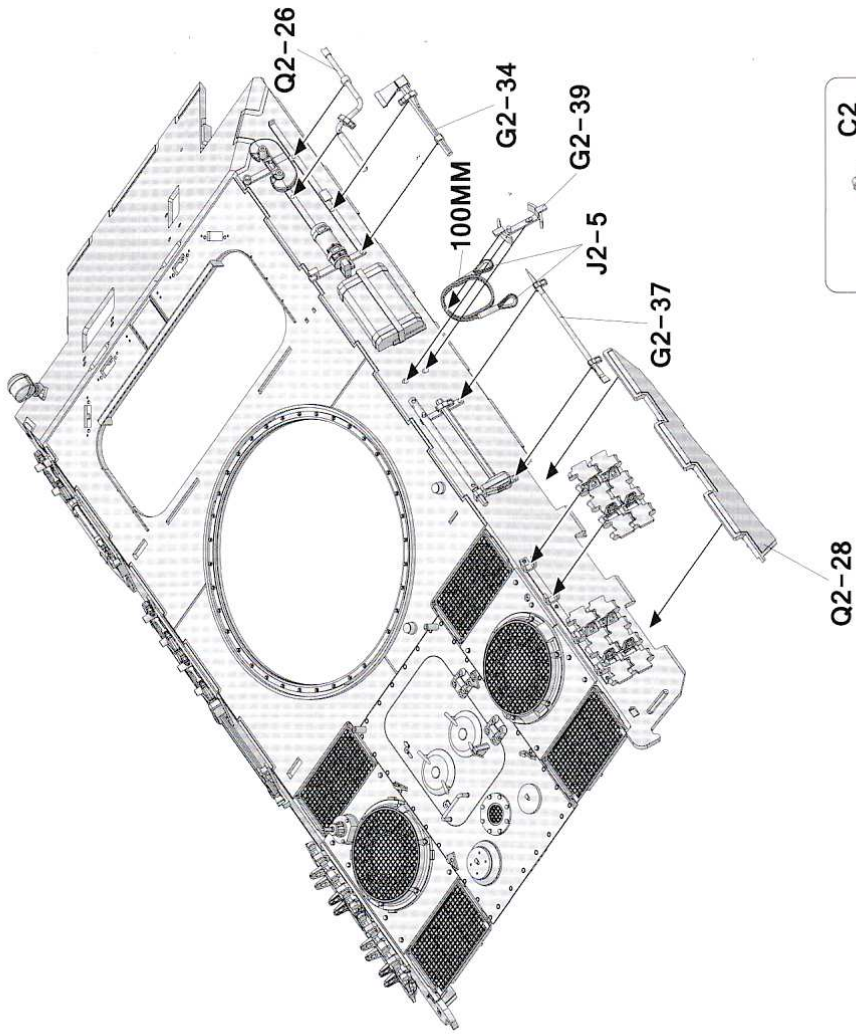
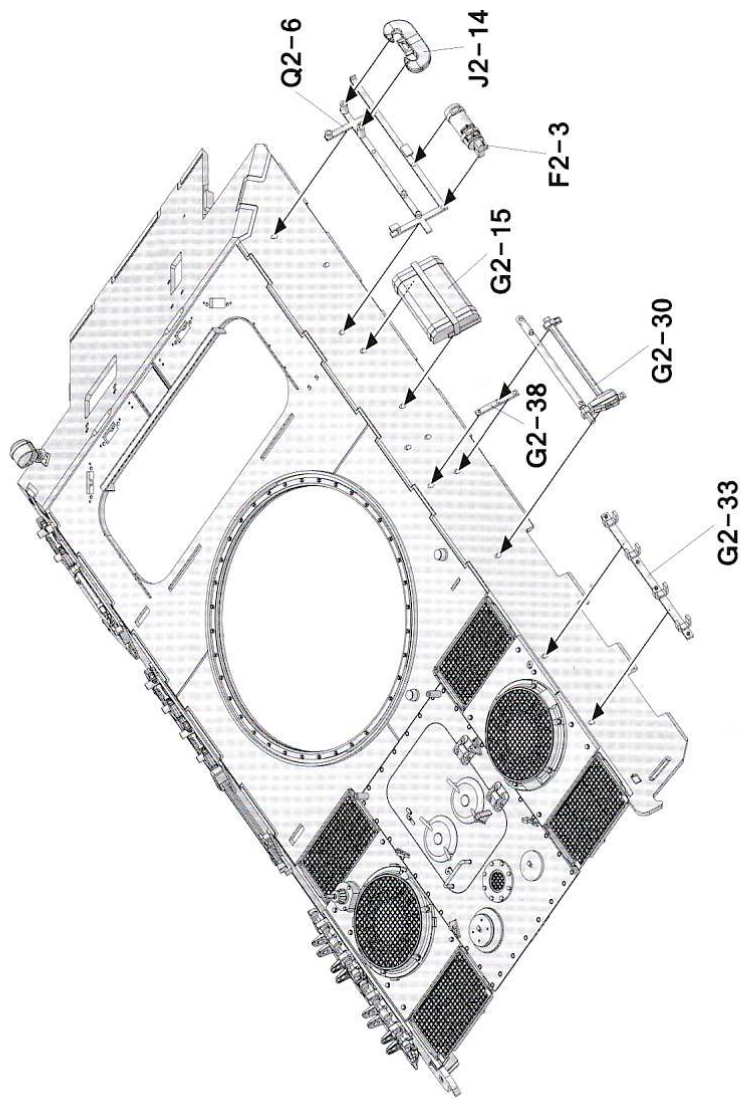


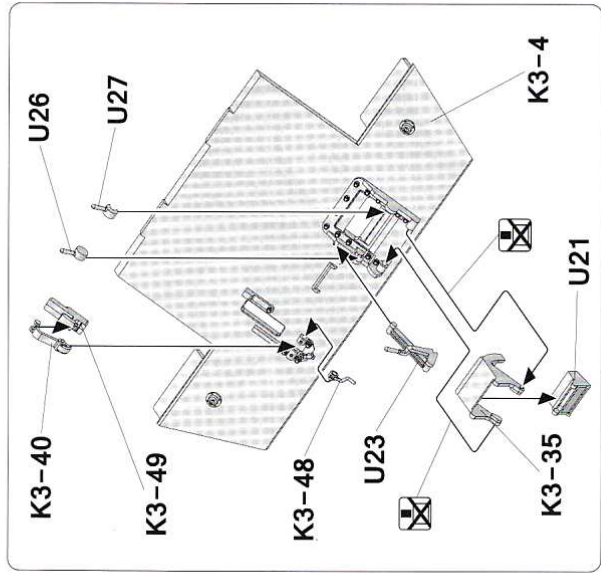




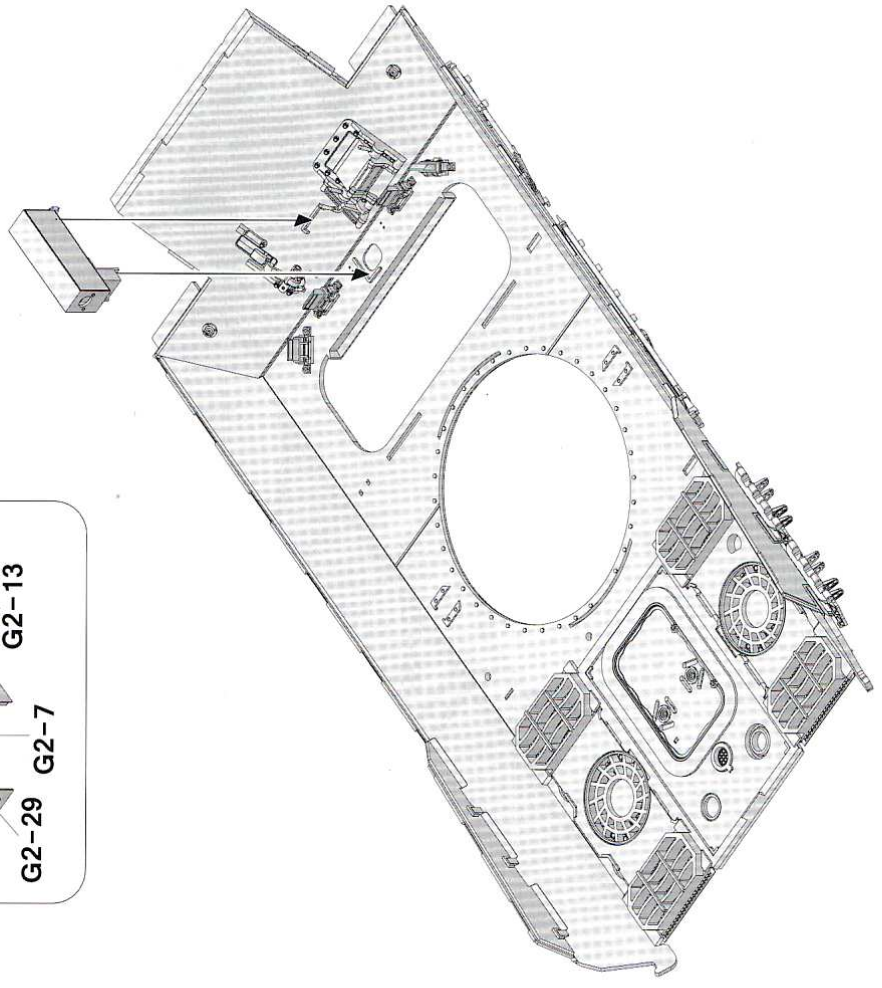
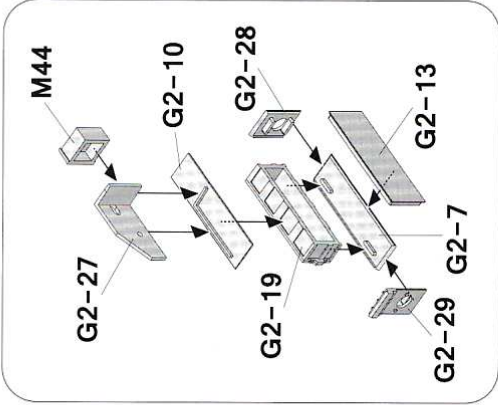
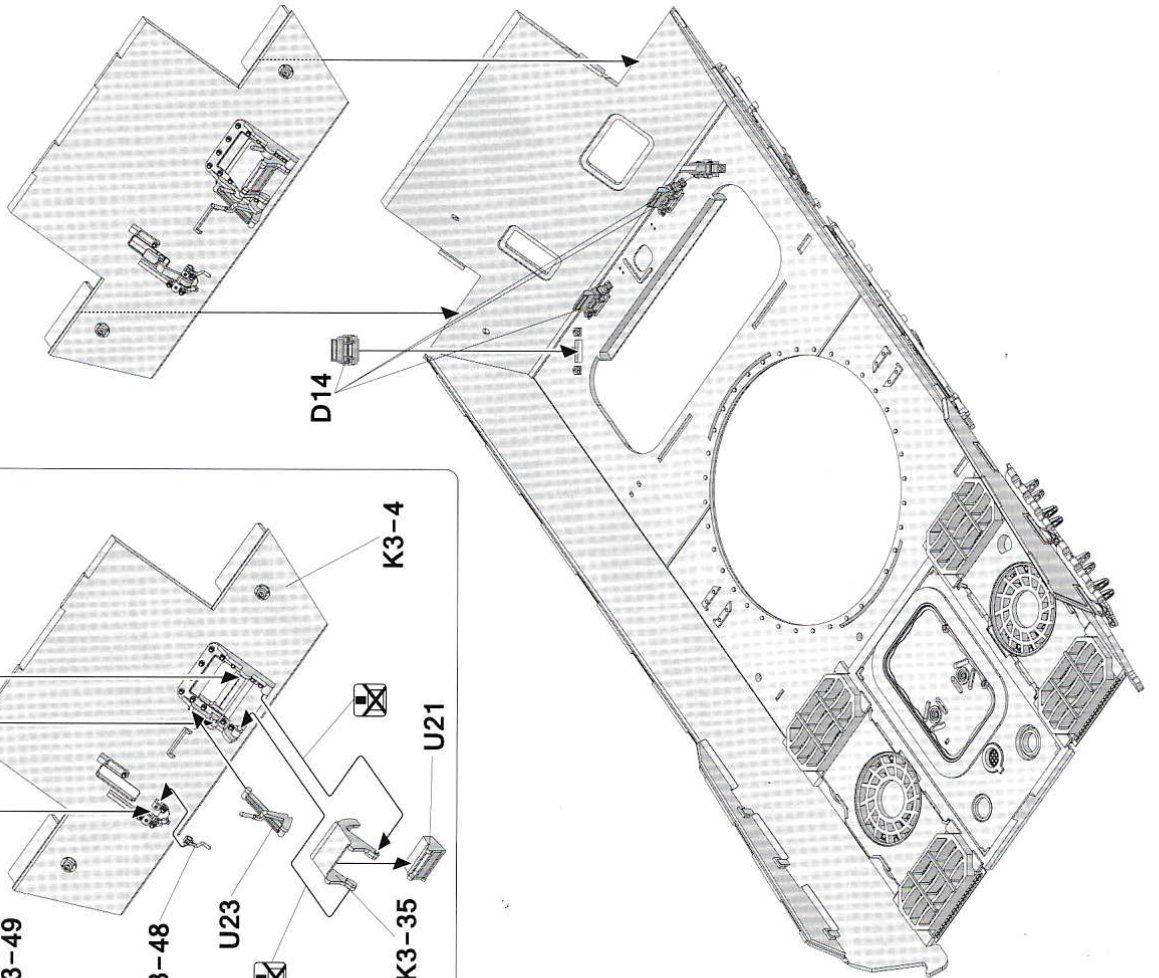


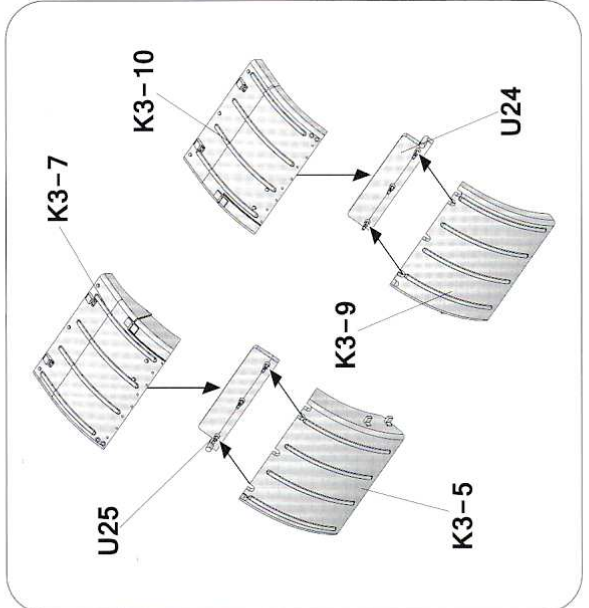
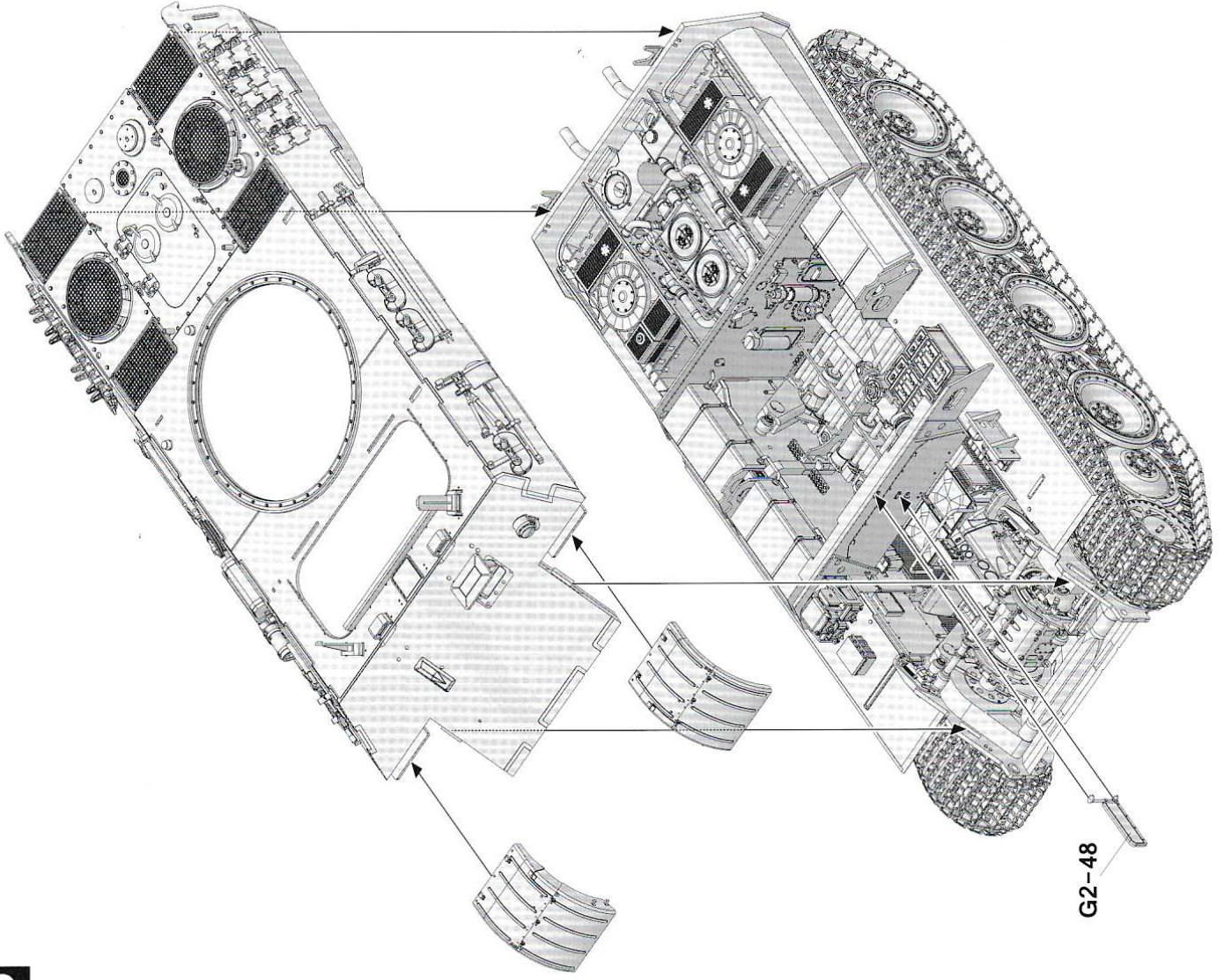
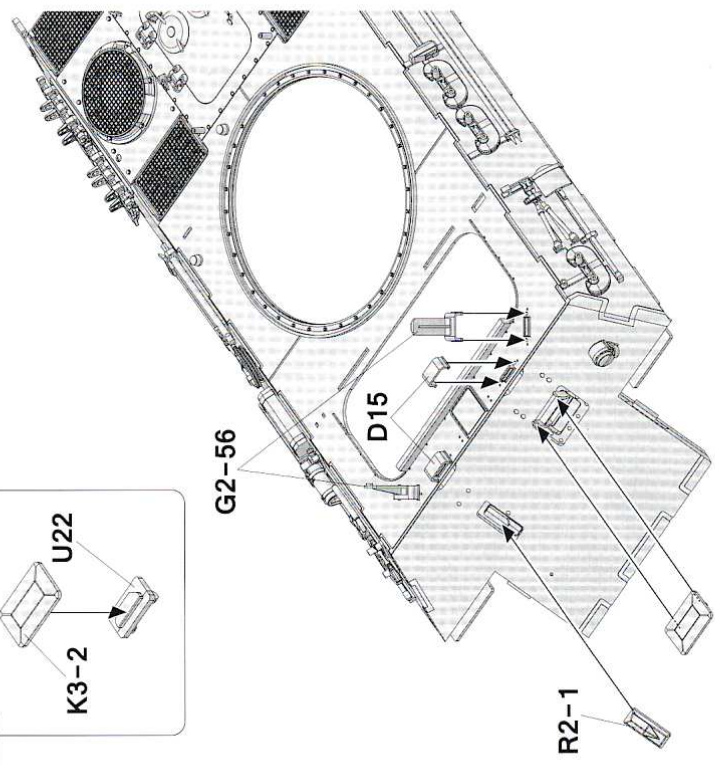
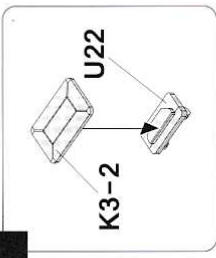


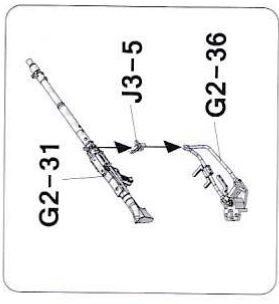
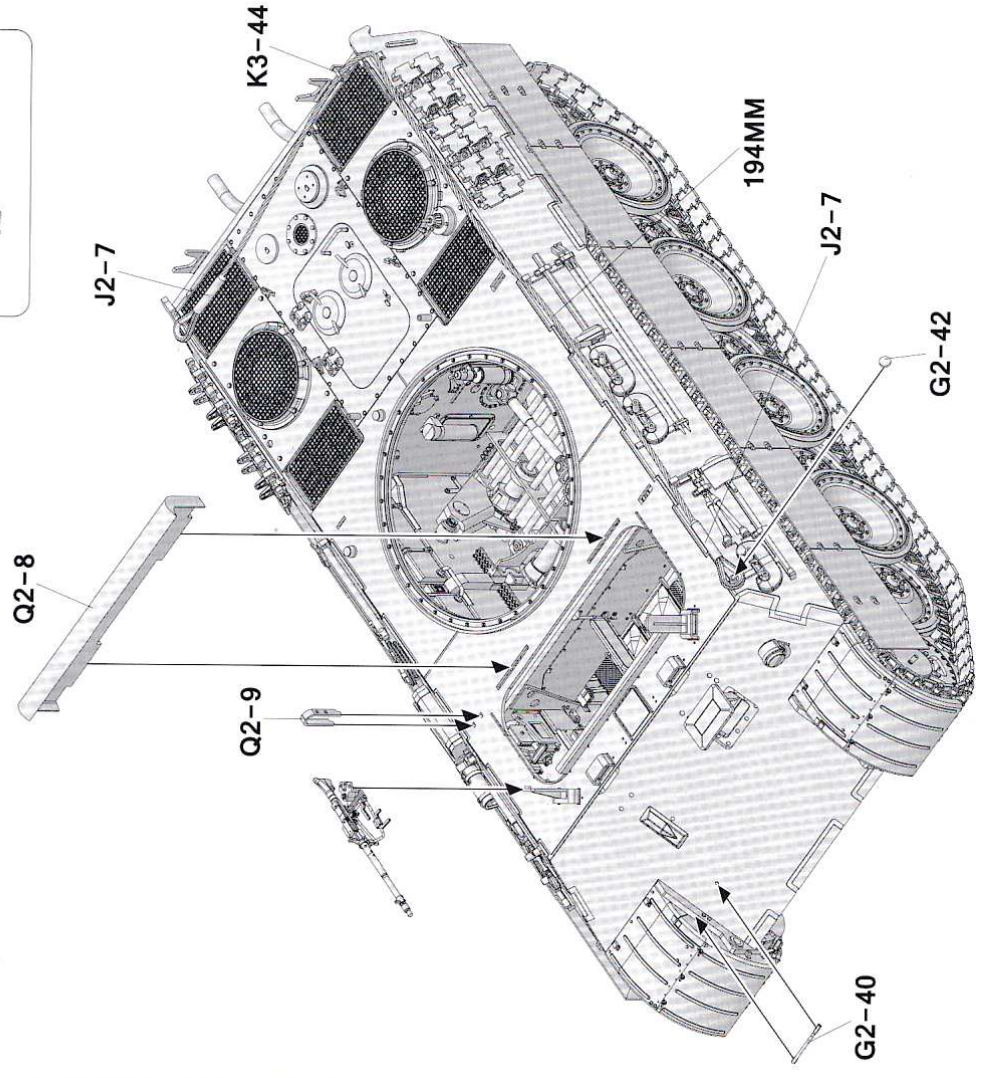
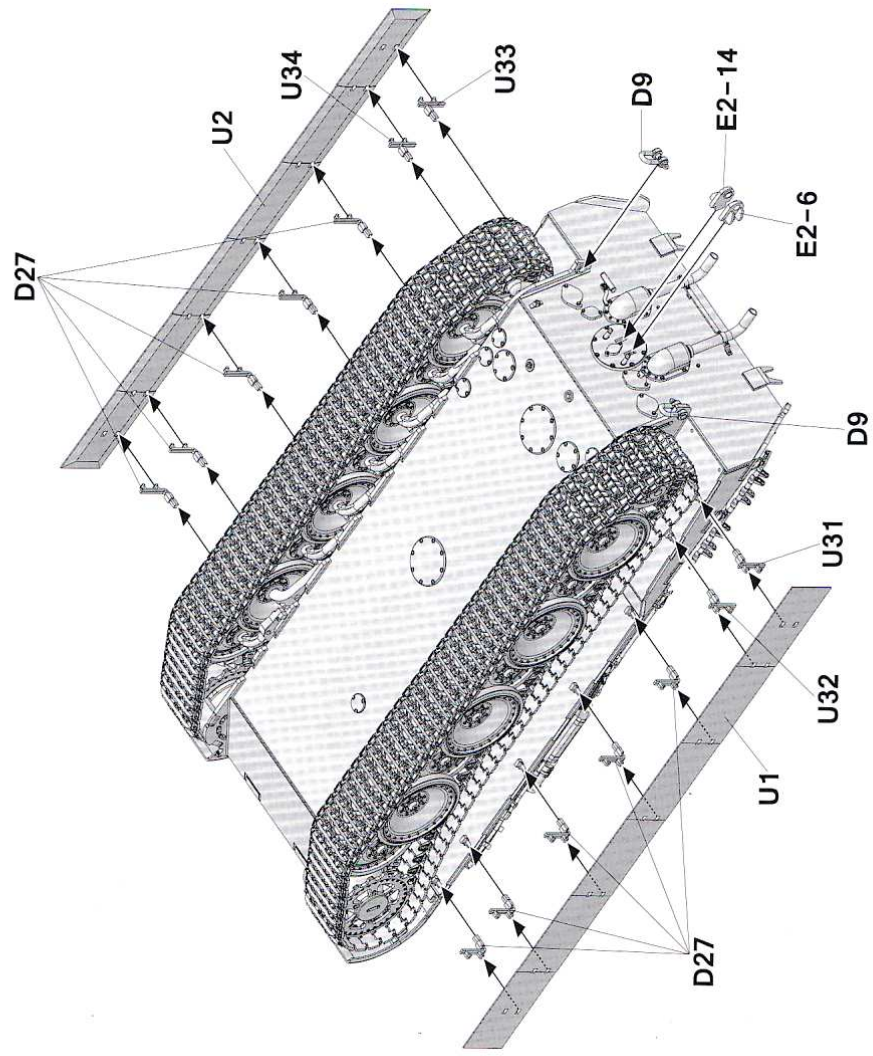


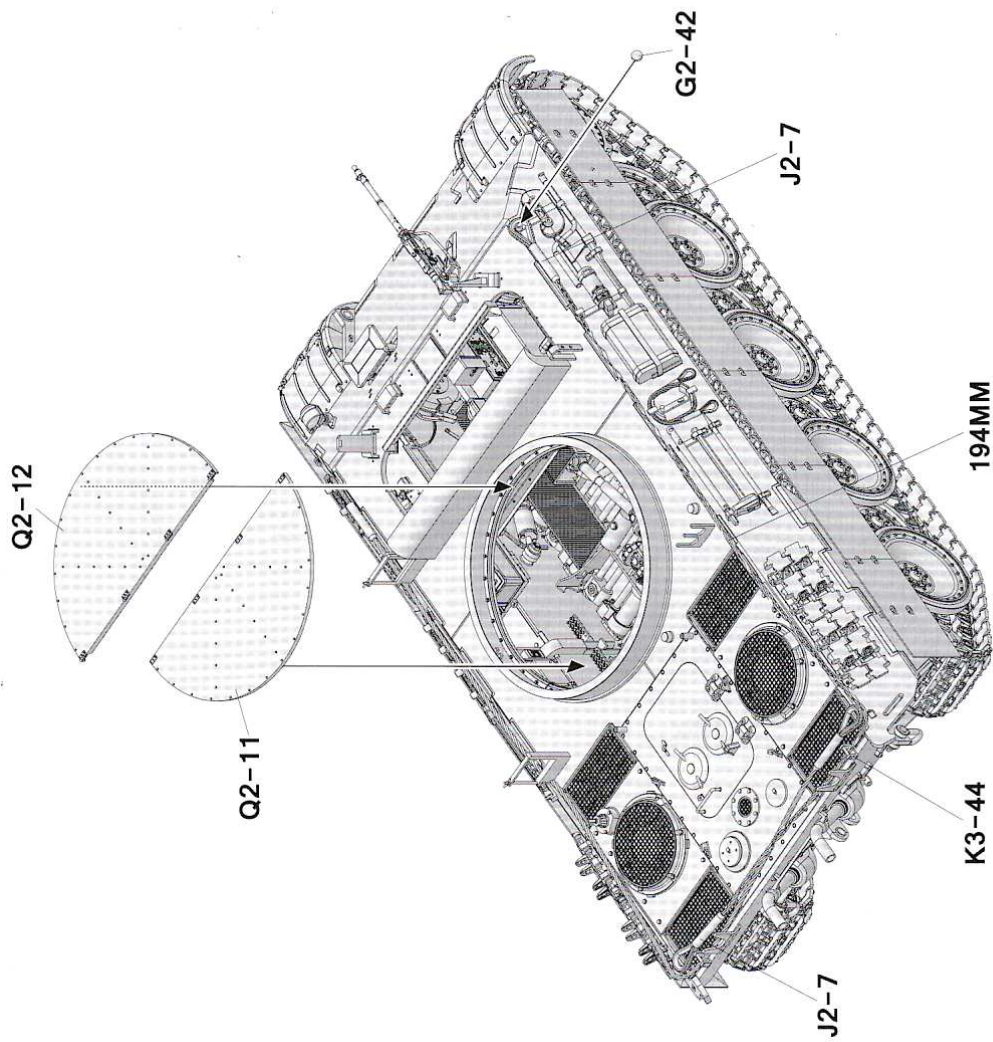
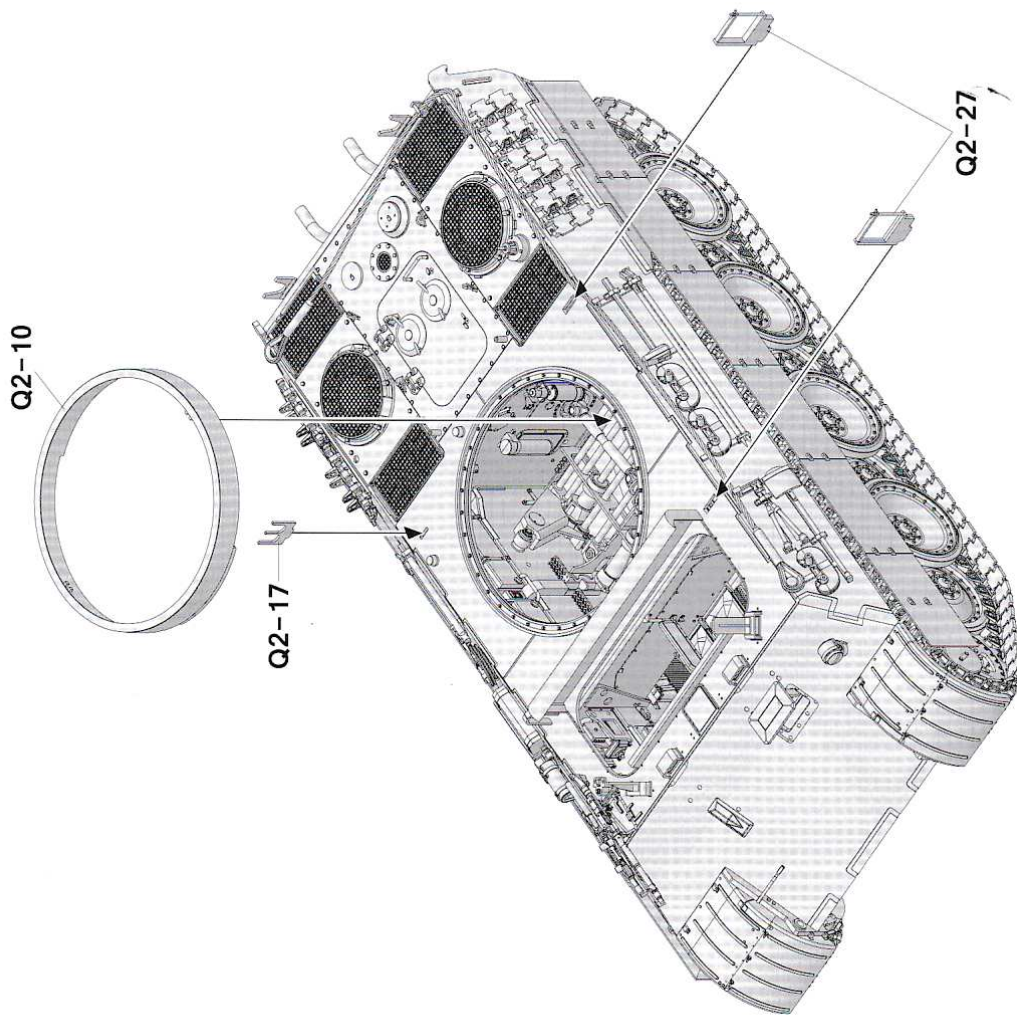


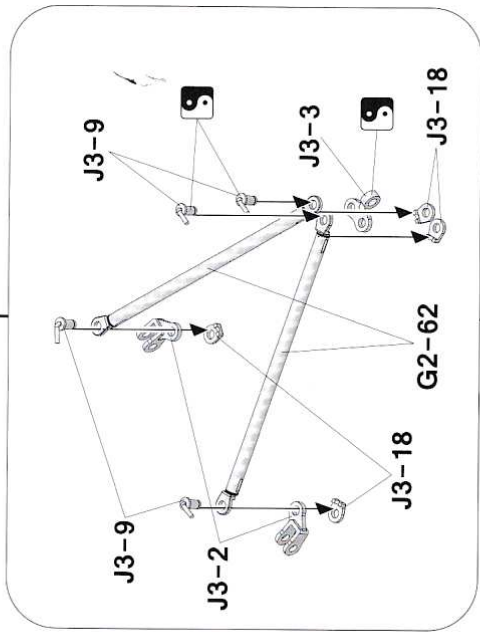
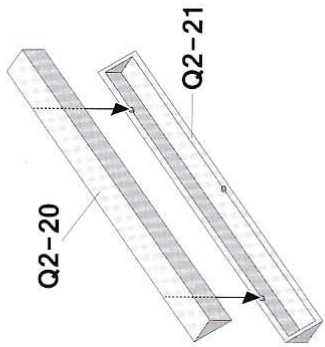
D14



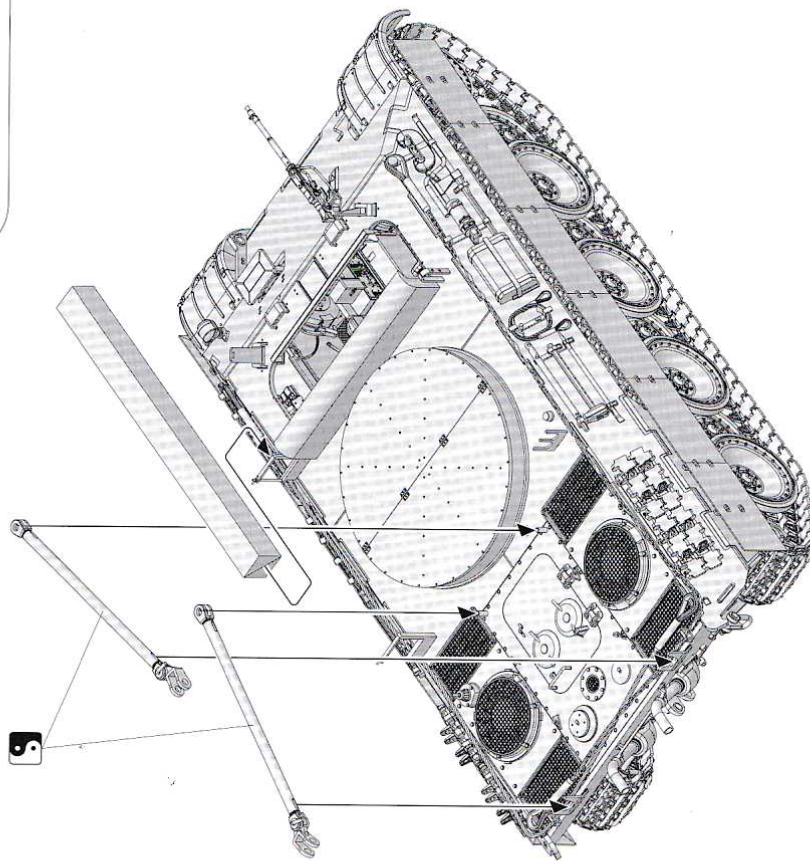
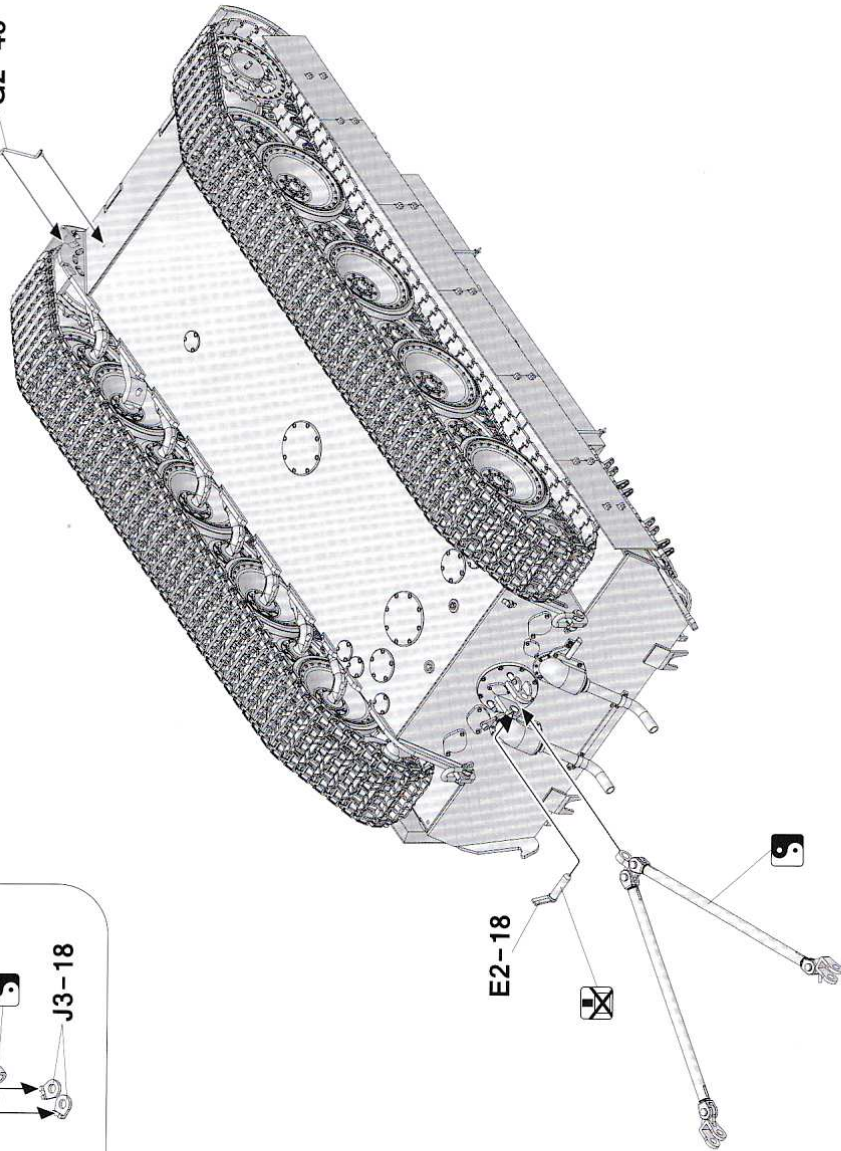


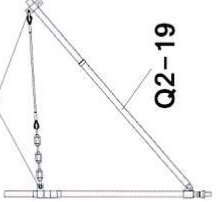




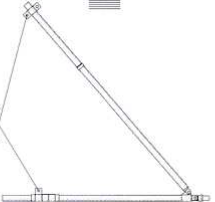


G2-43





0.6MM

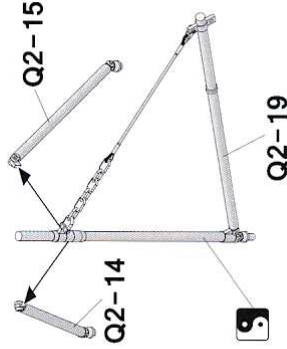


Q2-32

Q2-30

18MM

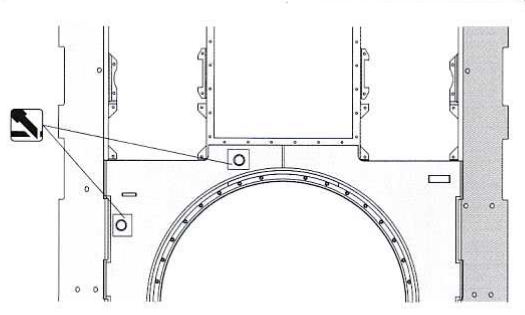
Q2-33



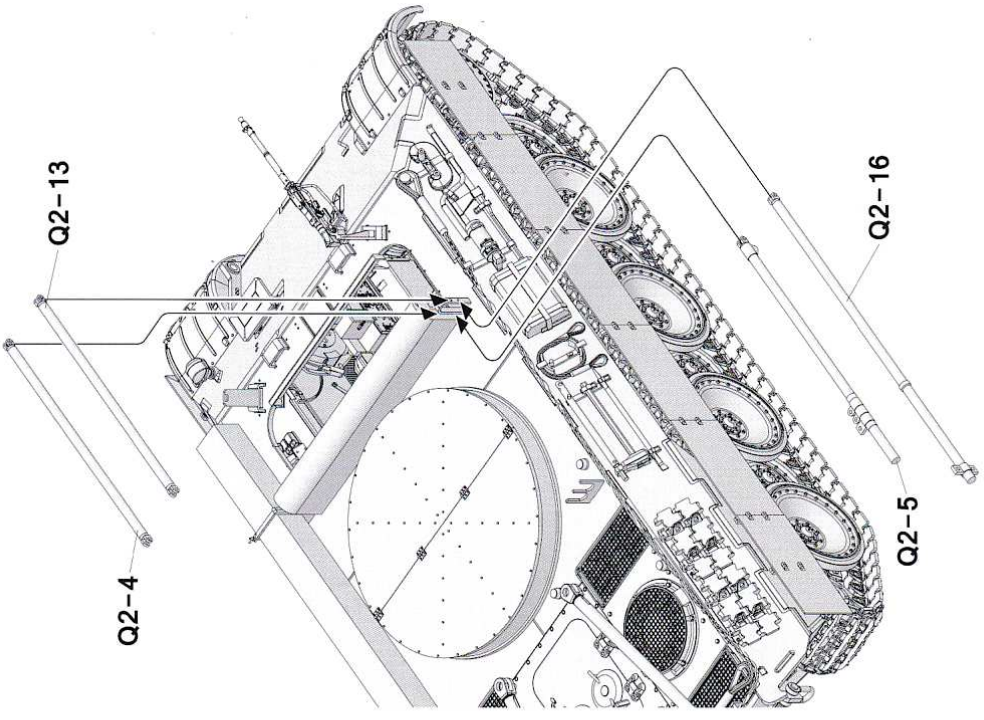
Q2-15

Q2-14

Q2-19



Optional

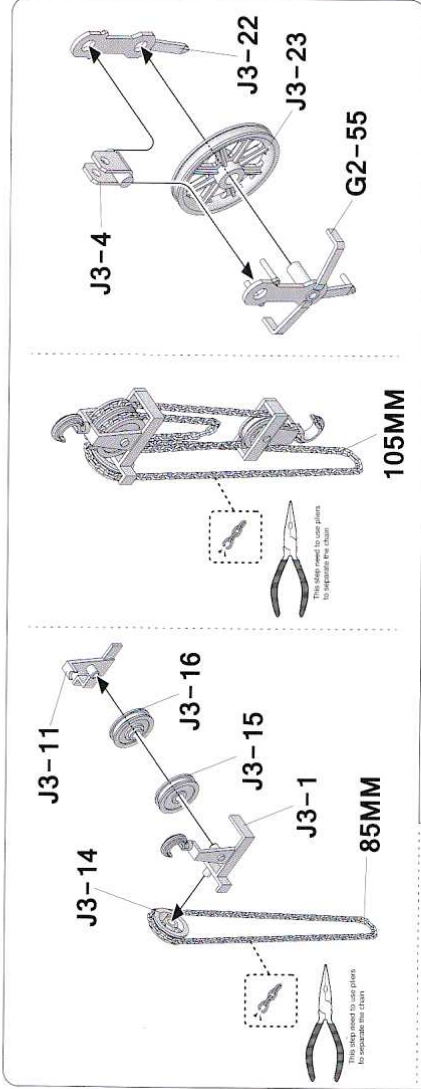


Q2-13

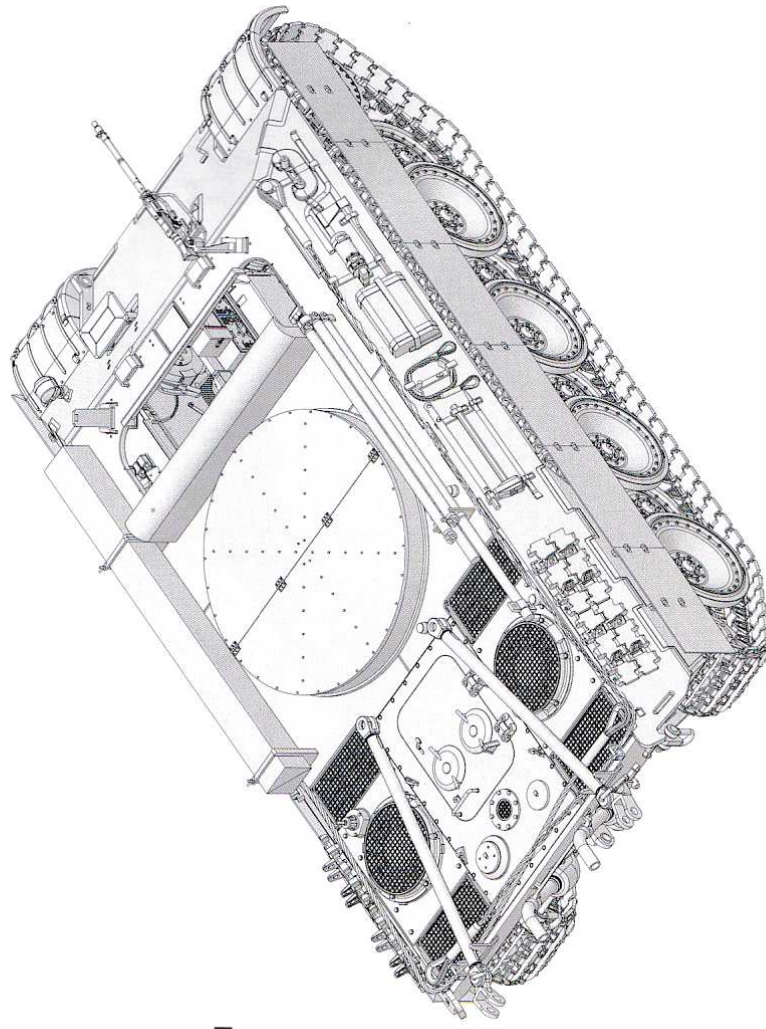
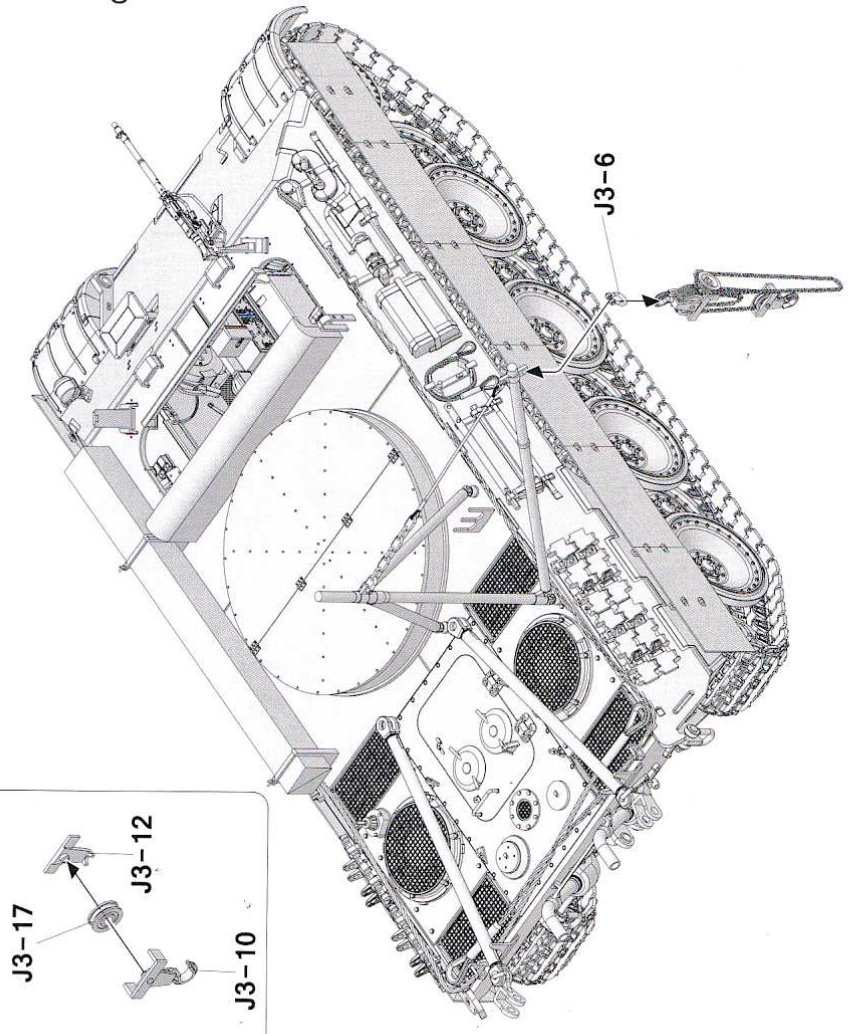
Q2-4

Q2-16

Q2-5



Optional



Painting and Marking Guide

TAKOM Ref: 2102

Bergepanther Ausf.D Umbau Siebert
Siebert Factory, 1945.

A.MIG 0033 Rubber & Tires

A.MIG 0440 Medium Rust

A.MIG 0110 Dunkelgelb
Mid. war

A.MIG 0338 Old Wood

A.MIG 0966 Crystal
Periscope Green

A.MIG 0115 Schleibbraun

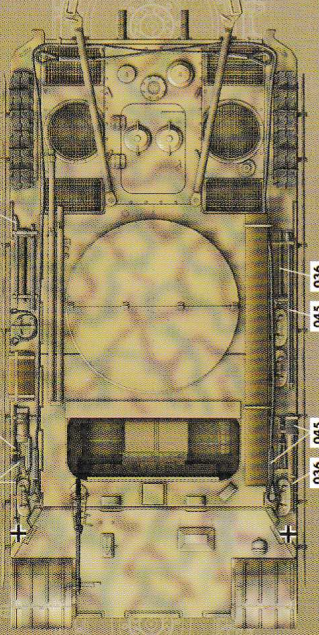
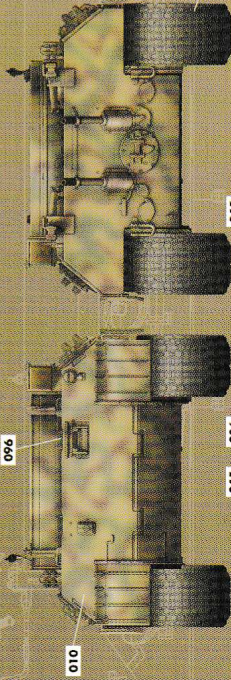
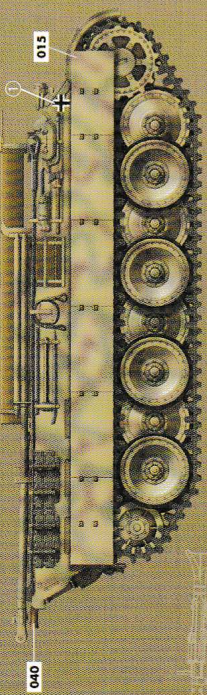
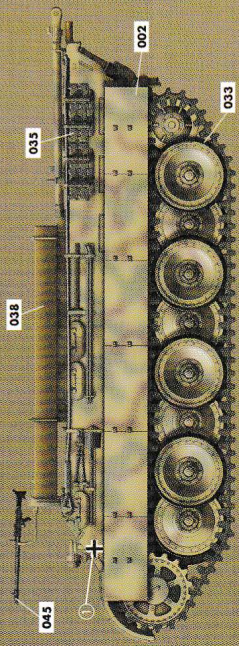
A.MIG 0366 Dark Tracks

A.MIG 0445 Green Metal

A.MIG 0338 Light Wood

A.MIG 0966 Crystal
Periscope Green

A.MIG 0022 Olfgrünlich Opa.2



WEATHERING STEPS WITH AMMO PRODUCTS

- 1 GENERAL WASH**
A.MIG-1000 Brown Wash for German Yellow
- 2 FILTER**
A.MIG-1610 Tone for 3 tone camo
- 3 STREAKING**
A.MIG-1203 Streaking Grime
- 4 RUST**
A.MIG-3510 Rust
- 5 TRACK WASH**
A.MIG-1002 Tracks Wash
- 6 DUST**
A.MIG-3013 Rubbel
- 7 MUD**
A.MIG-3007 Dark Earth
A.MIG-1752 Loose Ground

Painting and Marking Guide

TAKOM Ref: 2102

Bergepanther Ausf.D Umbau Siebert
Siebert Factory, 1945.

A.MIG 0033 Rubber & Tires

A.MIG 0440 Medium Rust

A.MIG 0110 Dunkelgelb
Mid. war

A.MIG 0338 Old Wood

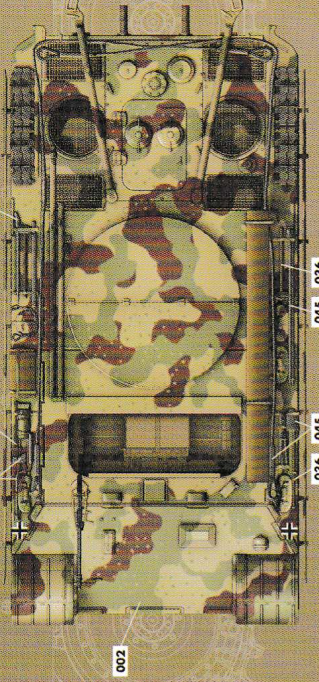
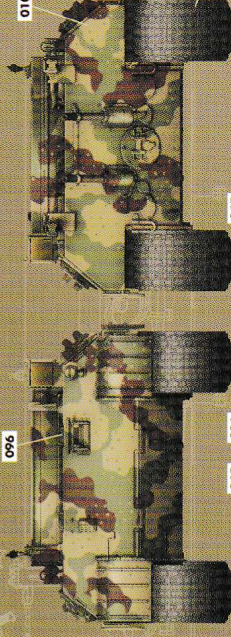
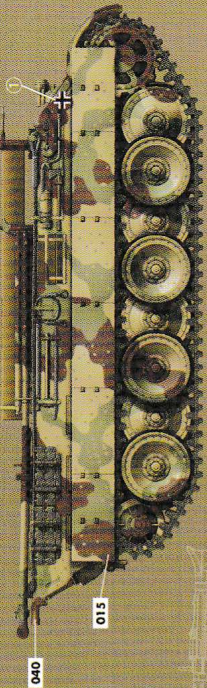
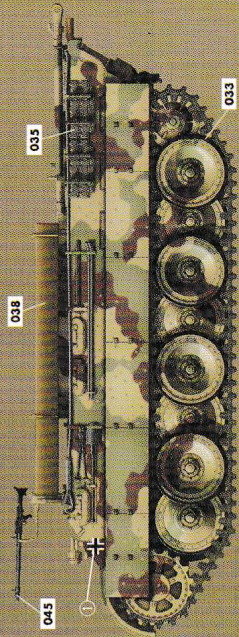
A.MIG 0966 Crystal
Periscope Green

A.MIG 0022 Olfgrünlich Opa.2

A.MIG 0366 Dark Tracks

A.MIG 0445 Green Metal

A.MIG 0115 Schleibbraun



WEATHERING STEPS WITH AMMO PRODUCTS

- 1 GENERAL WASH**
A.MIG-1000 Brown Wash for German Yellow
- 2 FILTER**
A.MIG-1610 Tone for 3 tone camo
- 3 STREAKING**
A.MIG-1203 Streaking Grime
- 4 RUST**
A.MIG-3510 Rust
- 5 TRACK WASH**
A.MIG-1002 Tracks Wash
- 6 DUST**
A.MIG-3013 Rubbel
- 7 MUD**
A.MIG-3007 Dark Earth
A.MIG-1752 Loose Ground

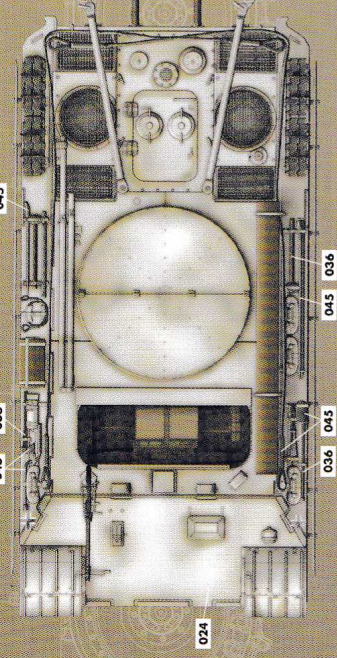
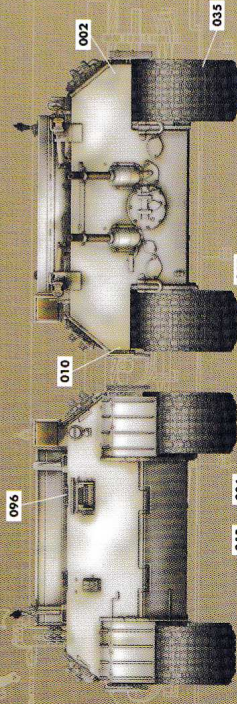
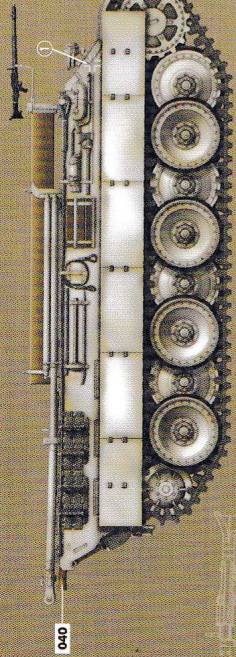
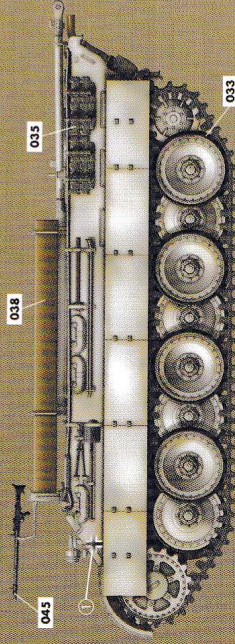
Painting and Marking Guide

TAKOM Ref: 2102

Bergepanther Ausf.D Umbau Siebert
Siebert Factory, 1945.

A.MIG 033	Rubber & Tires	A.MIG 035	Dark Tracks	A.MIG 038	Light Wood
A.MIG 040	Medium Rust	A.MIG 045	Gun Metal	A.MIG 002	Chrysalis Olive Green
A.MIG 010	Sonnenblau Mid war	A.MIG 024	Washable White Camo		

A.MIG 036	Old Wood	A.MIG 038	Light Wood
A.MIG 006	Crystal Parrotree Green		



WEATHERING STEPS WITH AMMO PRODUCTS

- 1 GENERAL WASH**
A.MIG-100 Africa Korps Wash
- 2 FILTER**
A.MIG-1600 Brown for White

- 3 STEAKING**
A.MIG-108 Steaking Gime for White Vehicles
- 4 RUST**
A.MIG-3510 Rust

- 5 TRACK WASH**
A.MIG-1022 Tracks Wash
- 6 DUST**
A.MIG-3013 Rubbel

- 7 MID**
A.MIG-3007 Dark Earth
A.MIG-1754 Lamp Earth

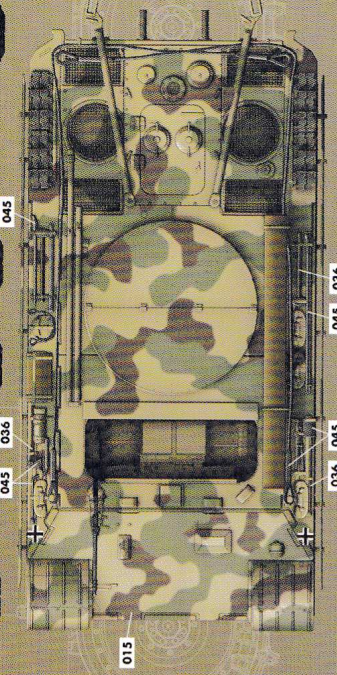
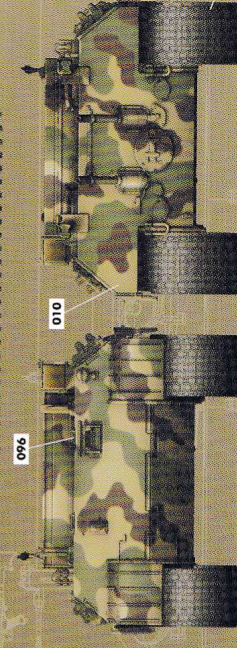
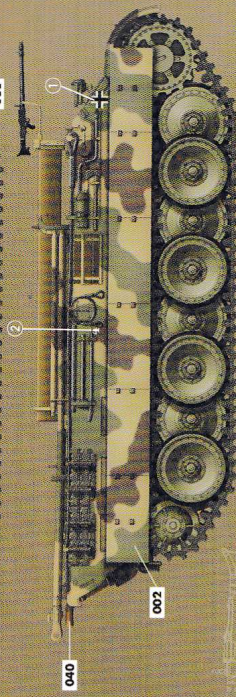
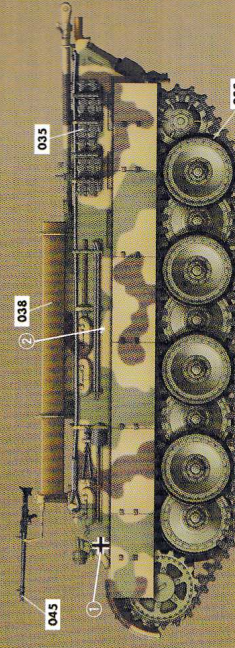
Painting and Marking Guide

TAKOM Ref: 2102

Bergepanther Ausf.D Umbau Siebert
Siebert Factory, 1945.

A.MIG 033	Rubber & Tires	A.MIG 035	Dark Tracks	A.MIG 038	Old Wood
A.MIG 040	Medium Rust	A.MIG 045	Gun Metal	A.MIG 002	Chrysalis Olive Green
A.MIG 010	Sonnenblau Mid war	A.MIG 013	Schokoladen		

A.MIG 036	Old Wood	A.MIG 038	Light Wood
A.MIG 006	Crystal Parrotree Green		



WEATHERING STEPS WITH AMMO PRODUCTS

- 1 GENERAL WASH**
A.MIG-1008 Brown Wash for German Yellow
- 2 FILTER**
A.MIG-1510 Tone for 3 tone camo

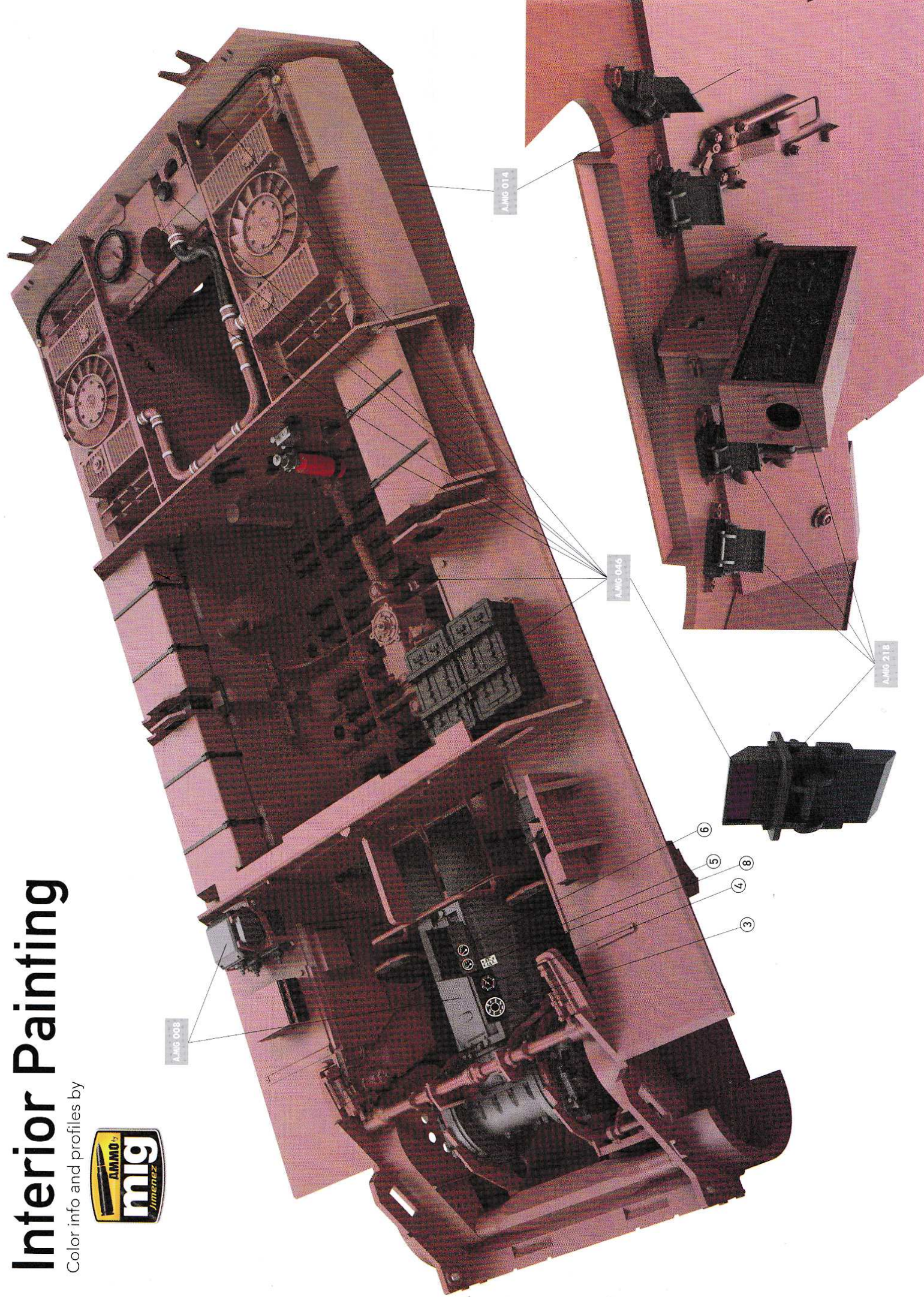
- 3 STEAKING**
A.MIG-1203 Steaking Gime
- 4 RUST**
A.MIG-3510 Rust

- 5 TRACK WASH**
A.MIG-1022 Tracks Wash
- 6 DUST**
A.MIG-3013 Rubbel

- 7 MID**
A.MIG-3007 Dark Earth
A.MIG-1752 Loose Ground

Interior Painting

Color info and profiles by



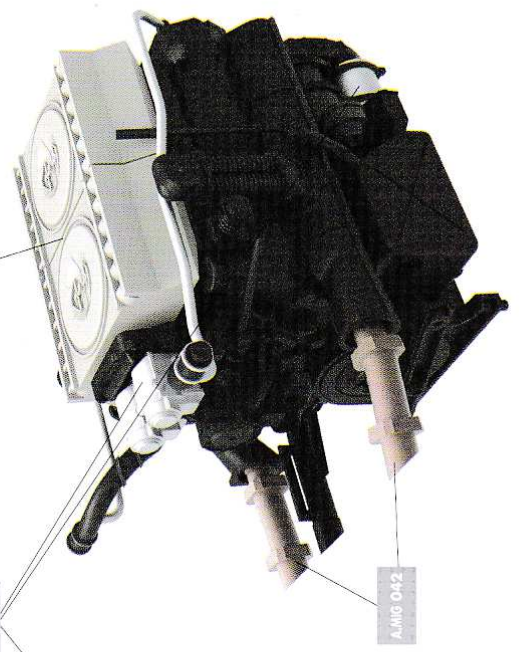


A.MIG 046

A.MIG 014

A.MIG 008

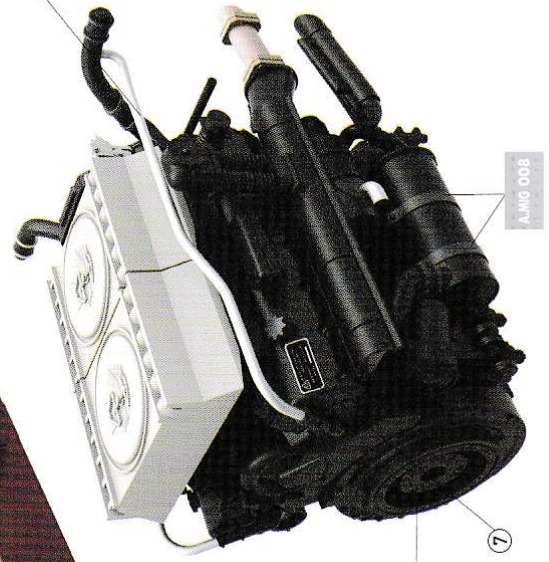
A.MIG 046



A.MIG 017

A.MIG 194

A.MIG 042

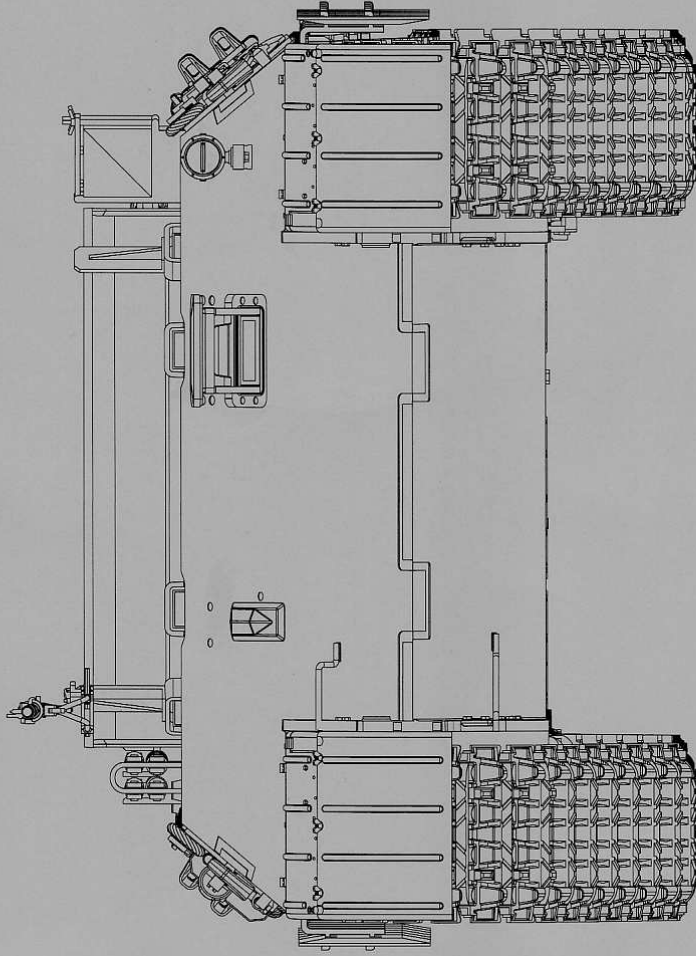


A.MIG 008

⑦

A.MIG 218

2018/2102



You can find TAKOM on Facebook.com