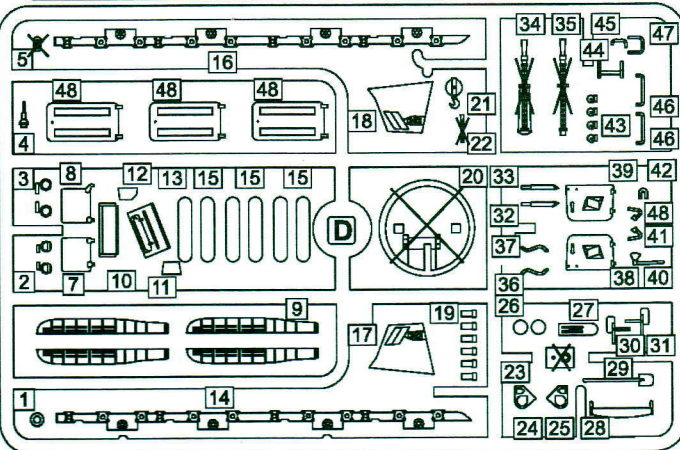
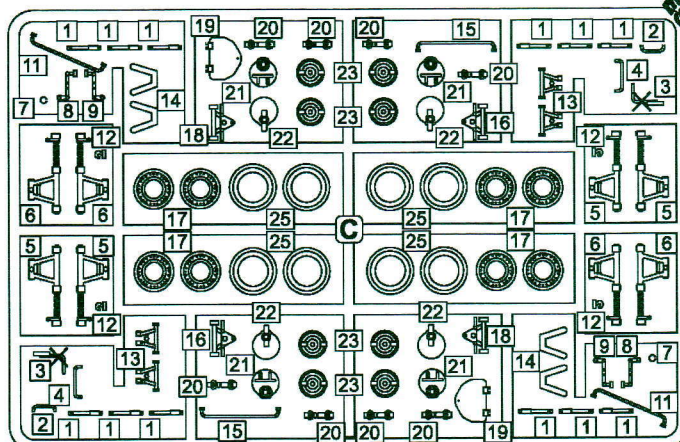
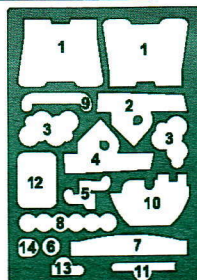
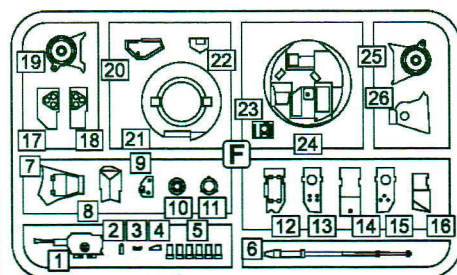
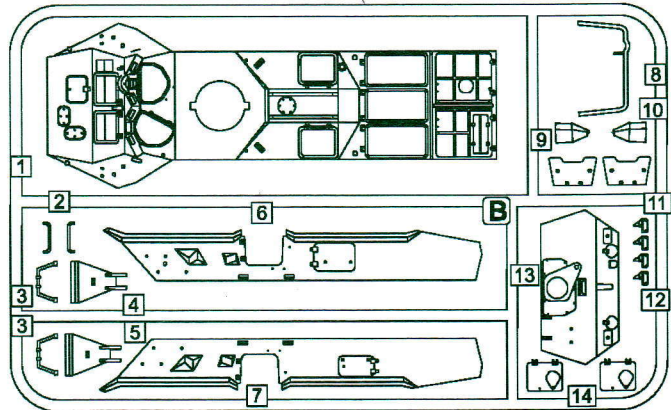
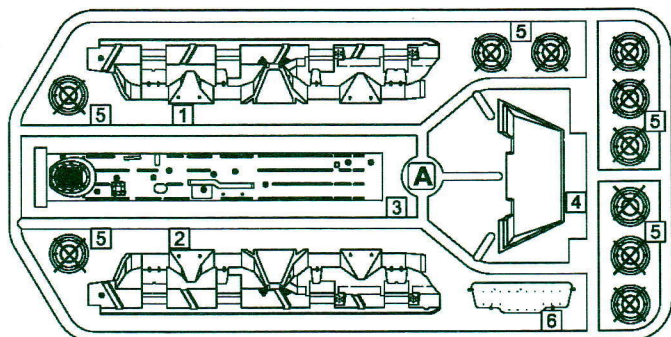


BTR-80A Russian APC

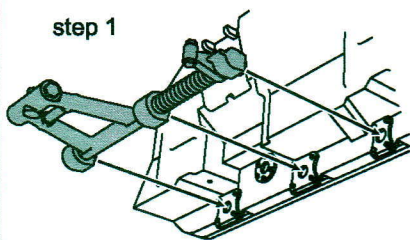
1/72 scale

Plastic model kit. Cat. #72172

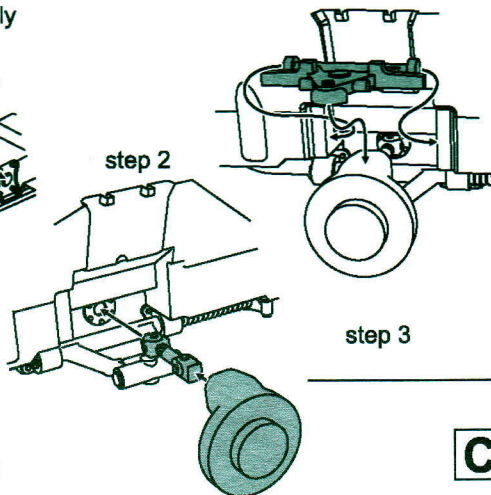


Standard suspension unit assembly

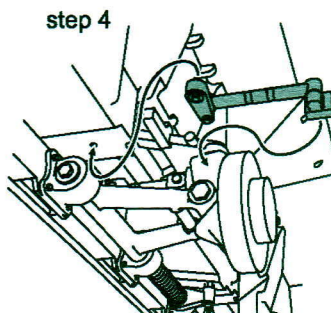
step 1



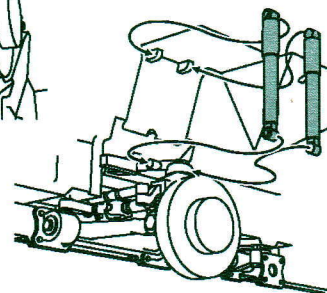
step 2



step 4

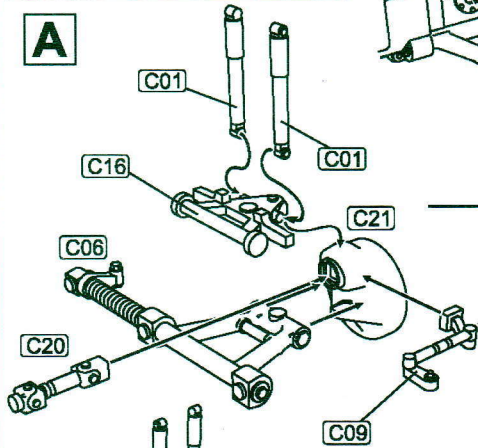


step 5

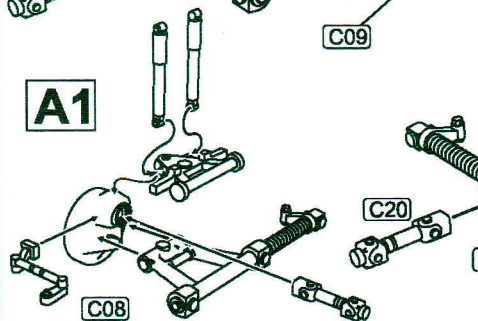


step 3

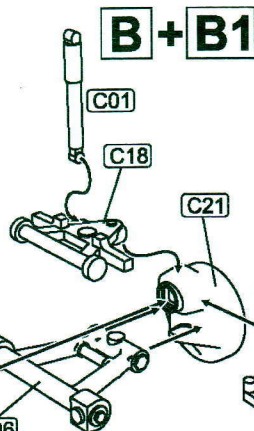
A



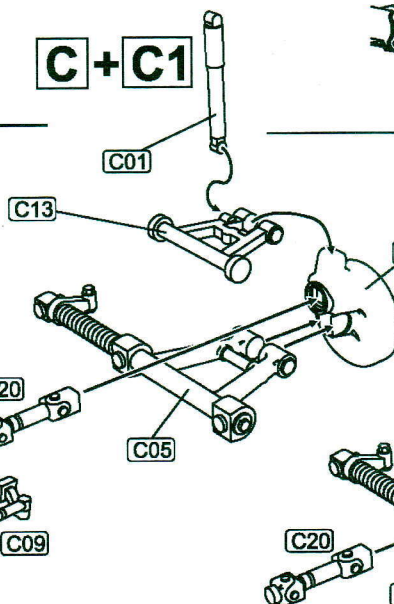
A1



B + B1

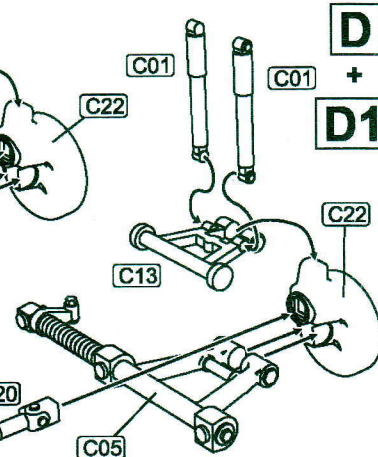


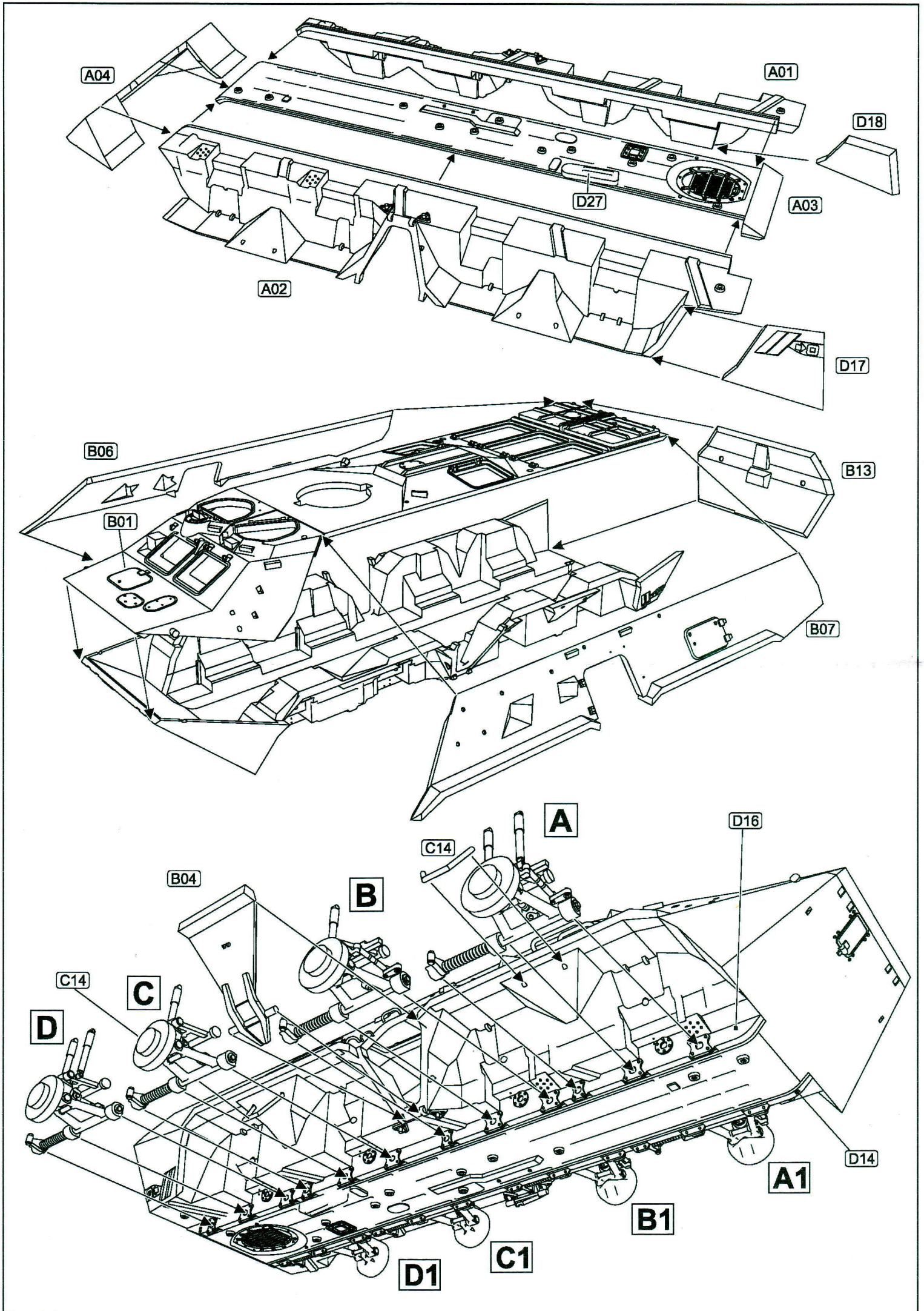
C + C1

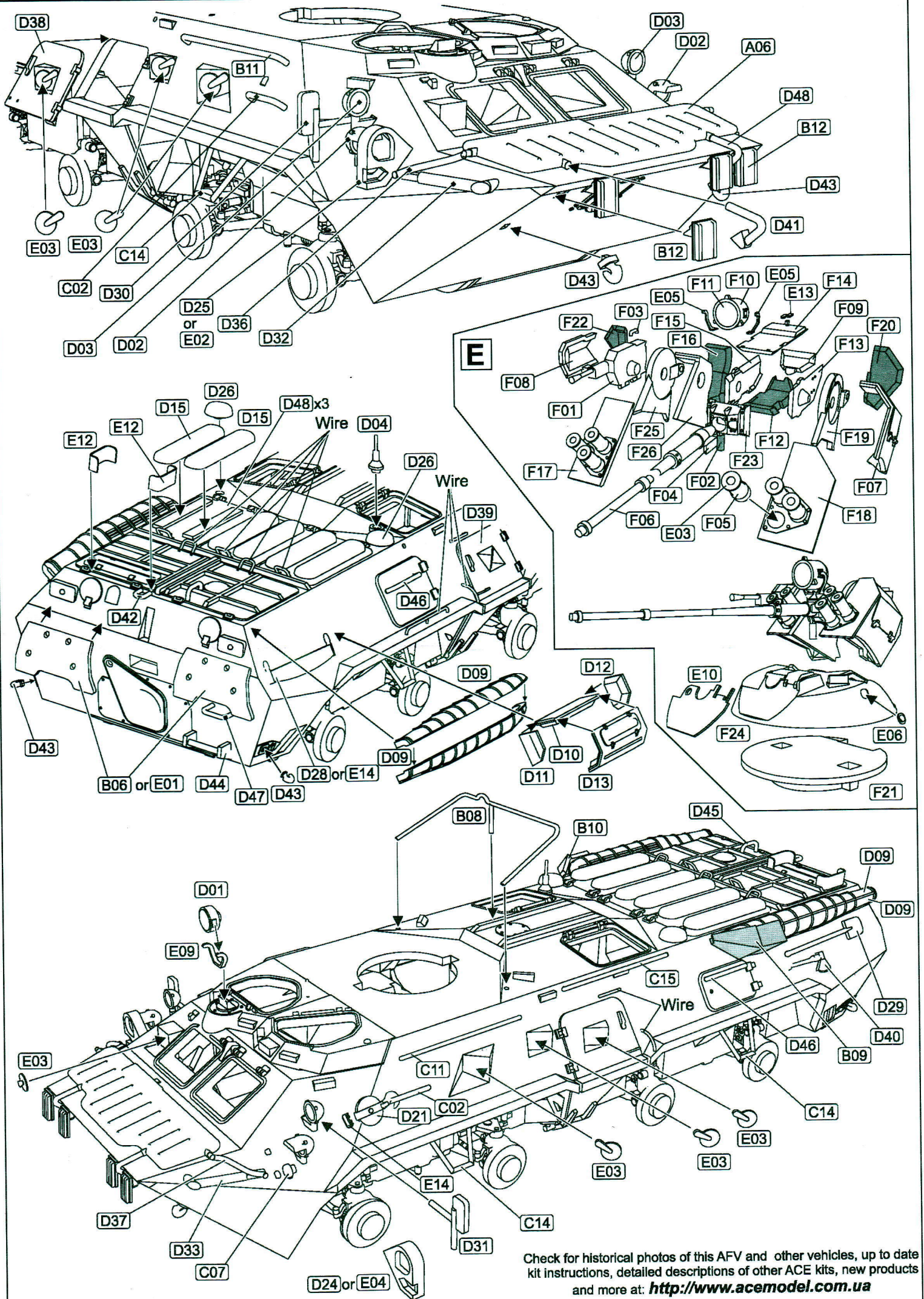


D

+ D1

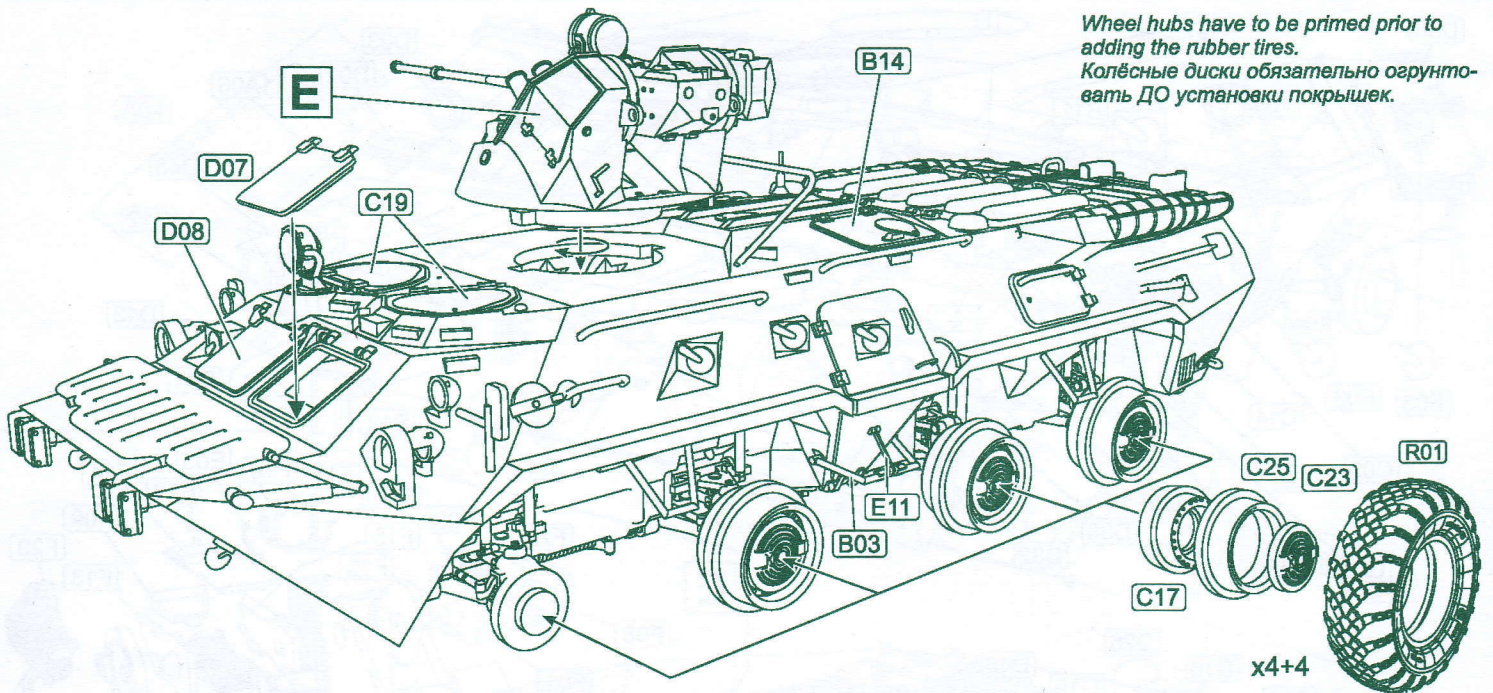






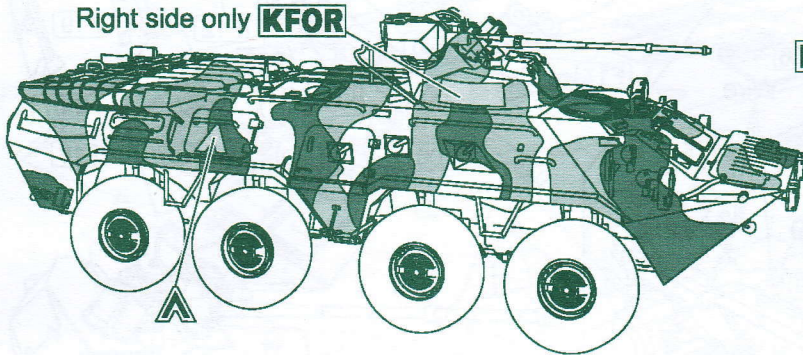
Check for historical photos of this AFV and other vehicles, up to date kit instructions, detailed descriptions of other ACE kits, new products and more at: <http://www.acemodel.com.ua>

Wheel hubs have to be primed prior to adding the rubber tires.
 Колёсные диски обязательно грунтуют ДО установки покрышек.

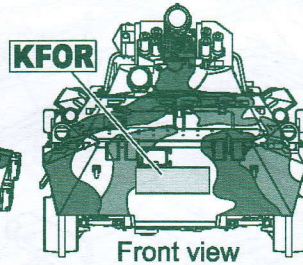


x4+4

Right side only **KFOR**

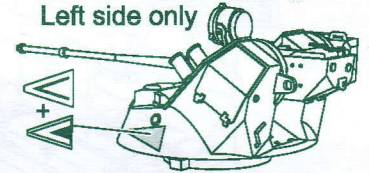


KFOR



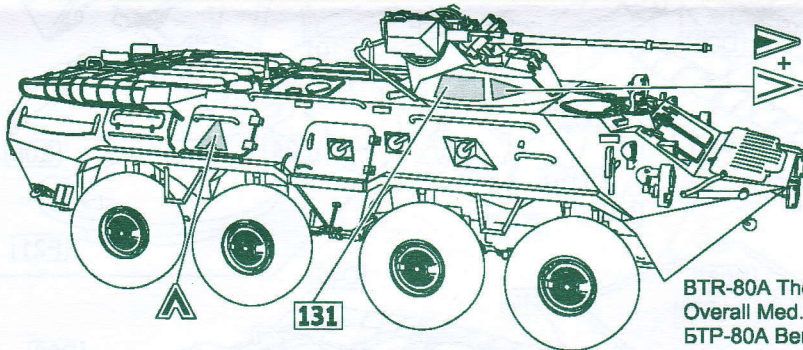
Front view

Left side only

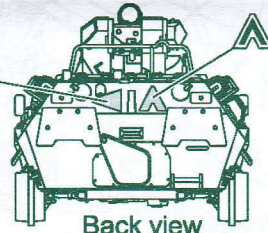


- Brown (Close to FS10076)
- Black
- Light Green (Close to FS14449)

BTR-80A The Hungarian KFOR contingent, 2000.
 БТР-80А Венгерского контингента КФОР. 2000.

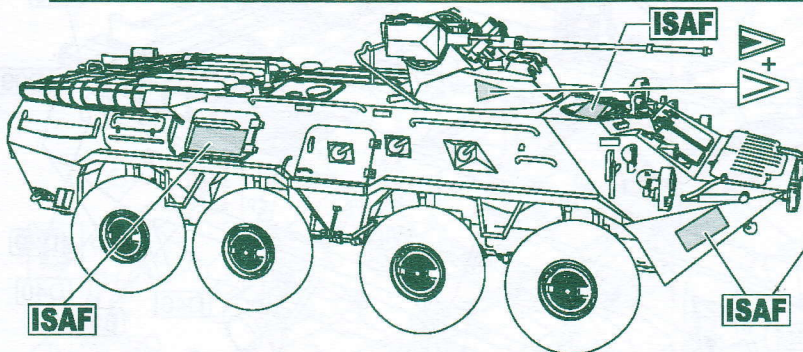


131



Back view

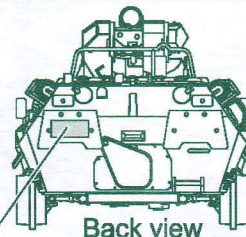
BTR-80A The Hungarian Guard and Security Battalion, KFOR, July 1999. Prishtina.
 Overall Med. Green (Close to FS14187)
 БТР-80А Венгерского контингента КФОР. Приштина. Июль. 1999. Хаки.



ISAF

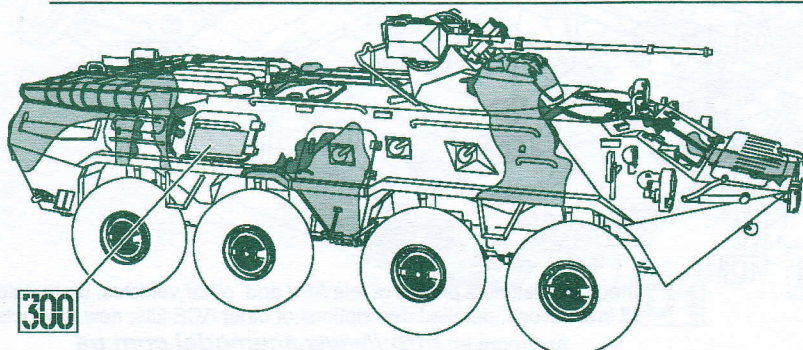
ISAF

ISAF



Back view

BTR-80A Hungarian contingent of International Security Assistance Force, Afghanistan. 2008. Overall Med. Green (Close to FS14187)
 БТР-80А Венгерского контингента Международных сил содействия безопасности, Афганистан. 2008. Хаки.



300

- Light Green (Close to FS24230)
- Black
- Yellow Sand (Close to FS23564)

BTR-80 Russian Army. 2012.
 БТР-80 Российская Армия, 2012.