

2008 YZR M1

2008 MOTO GP MACHINE



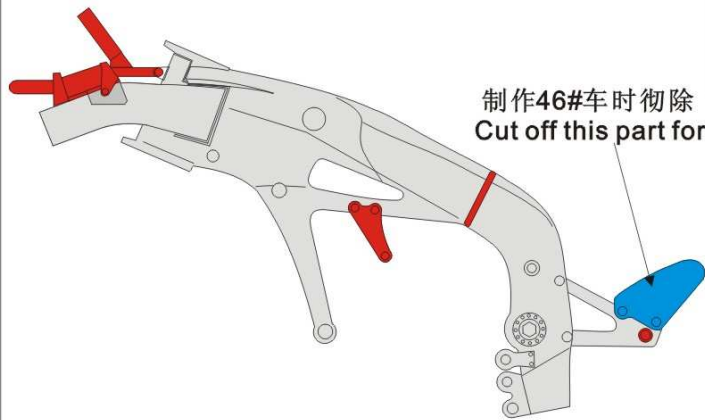
1/12 08' YZR M1 Super Detail Set

FOR TAMIYA 14104, 14105

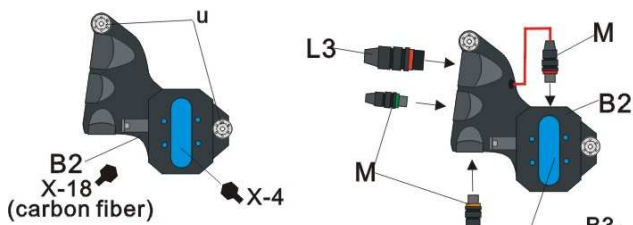
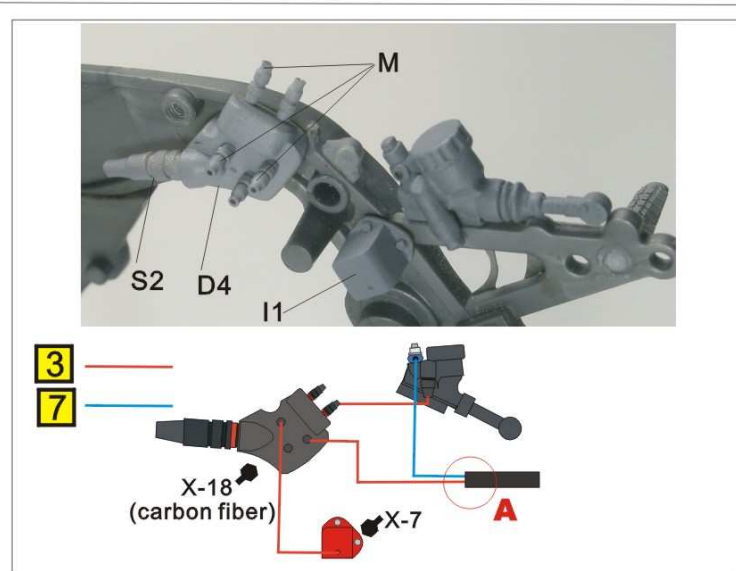
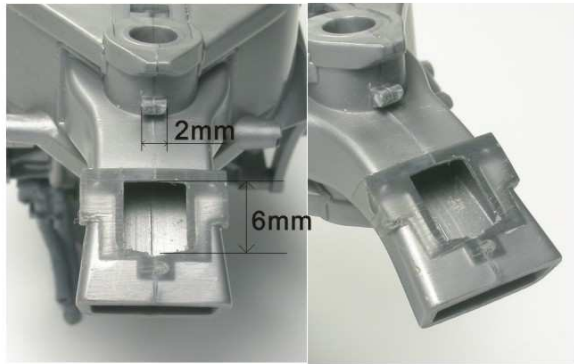
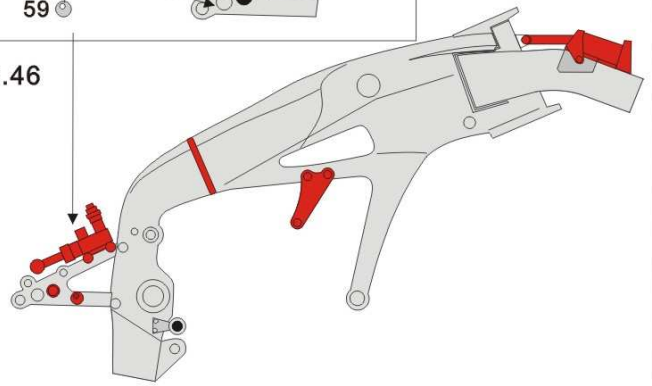
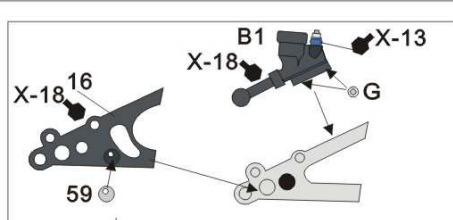


Top
Studio
Detail Master

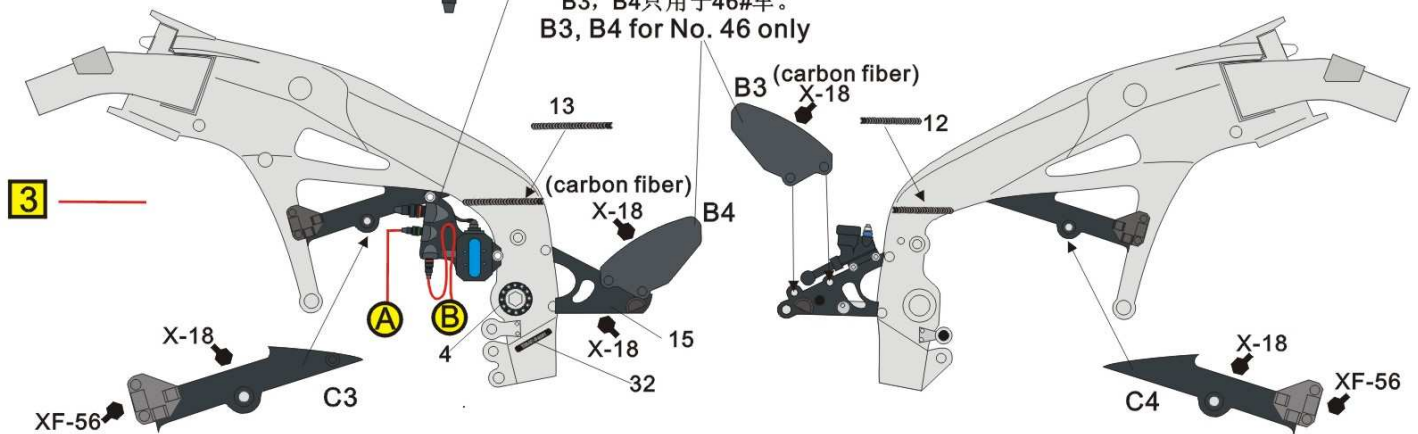
将图中红色部分切除
Cut off the part in red



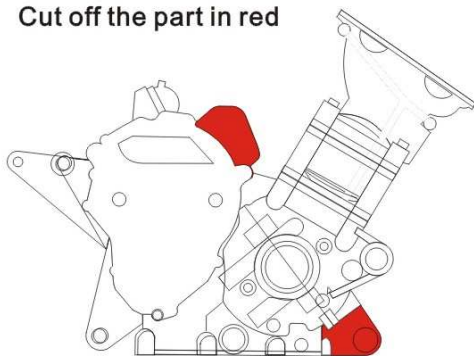
制作46#车时切除
Cut off this part for No.46

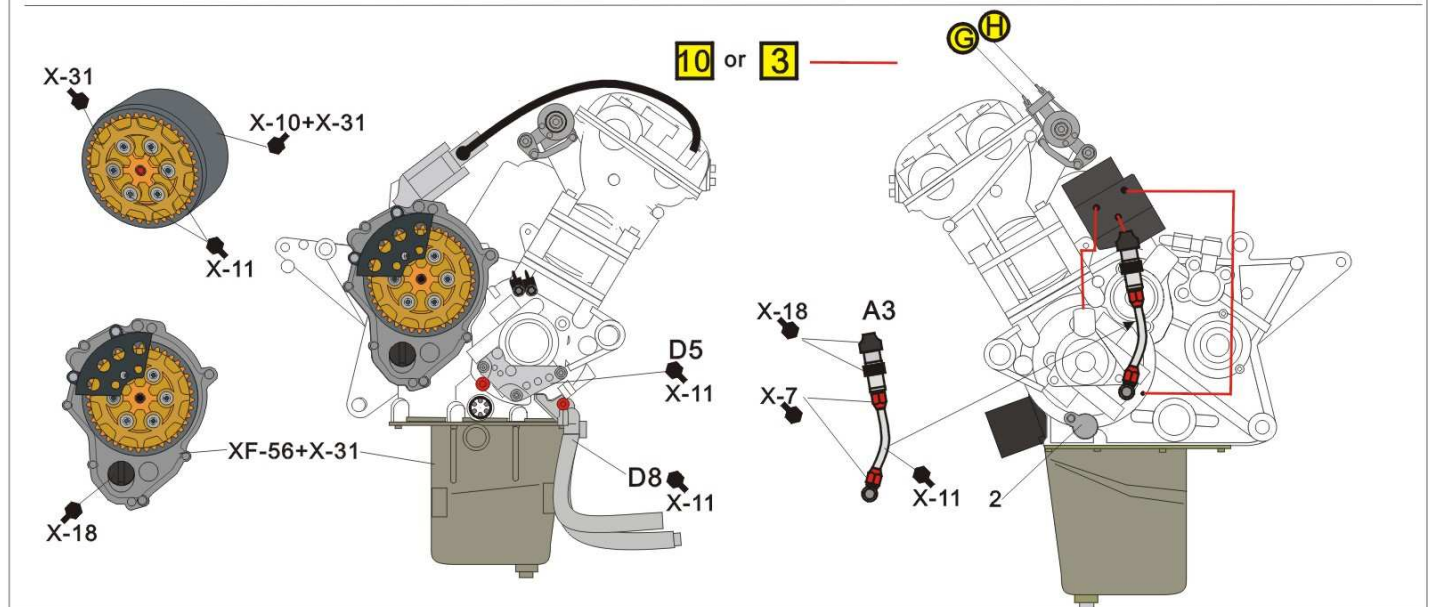
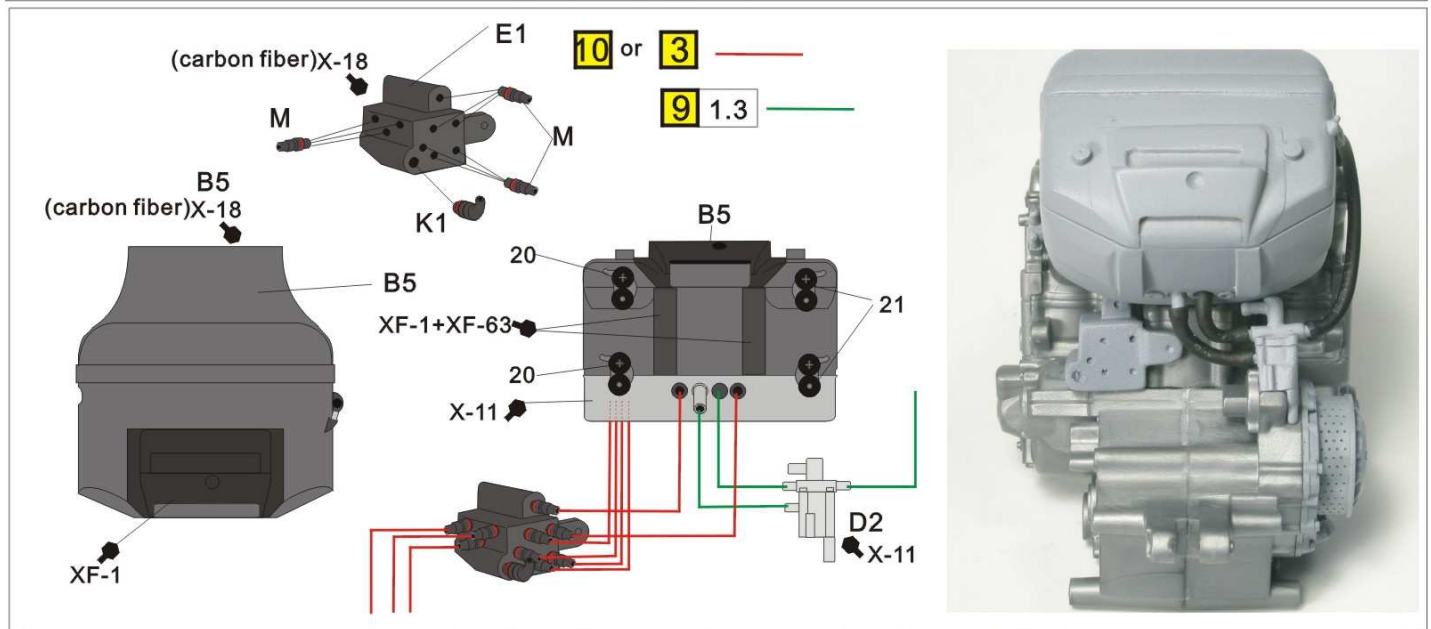
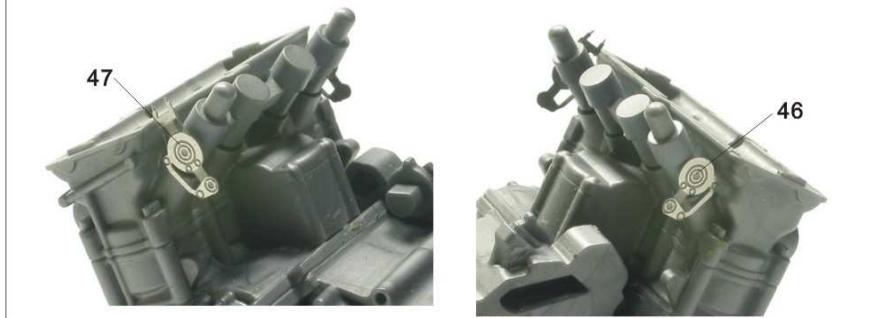
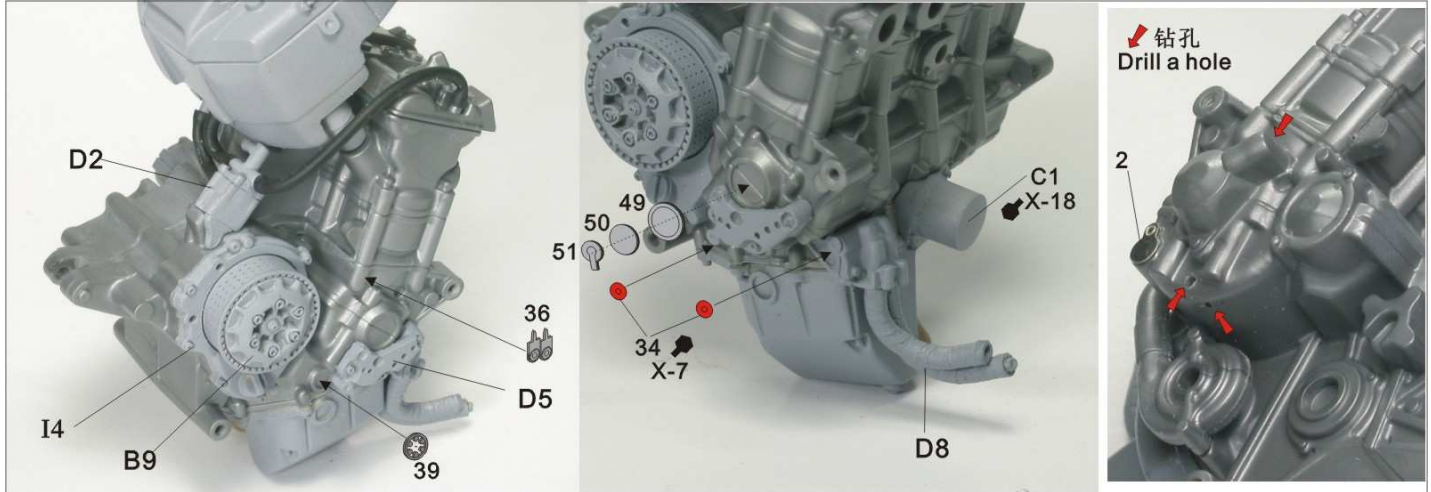


B3, B4只用于46#车。
B3, B4 for No. 46 only



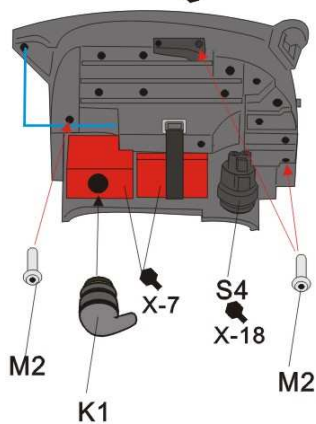
将图中红色部分切除
Cut off the part in red



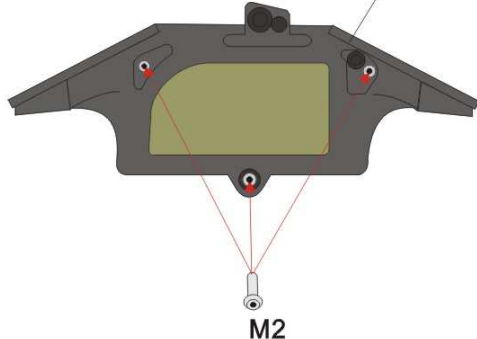


8

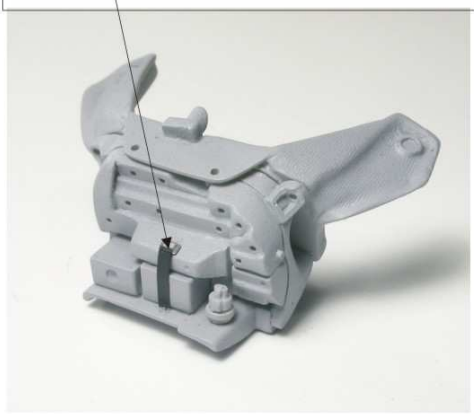
(carbon fiber)X-18



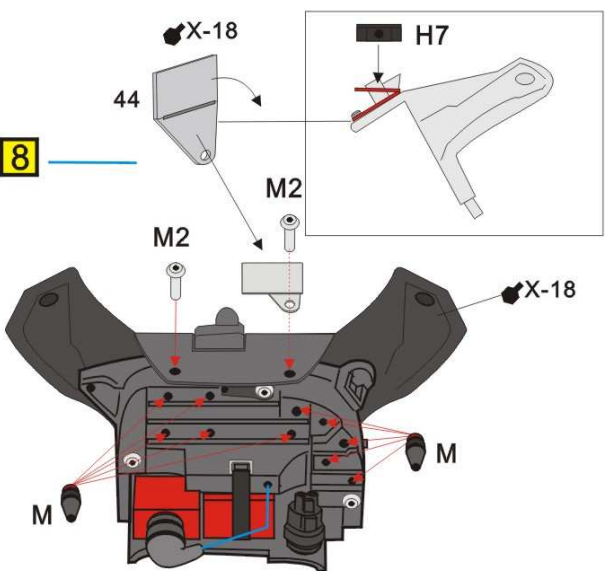
(carbon fiber)X-18 G2



38 黑色膠貼 Black band

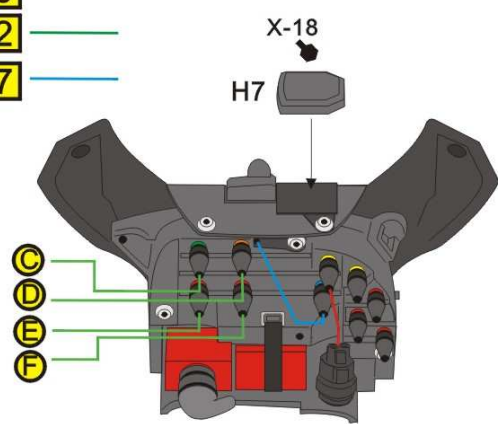


8

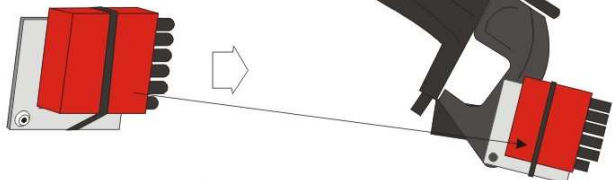
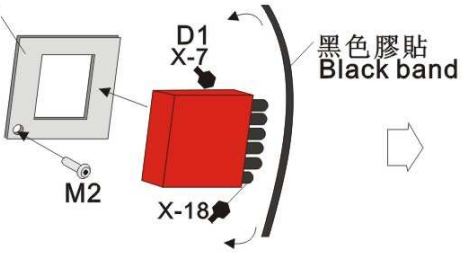


10 or

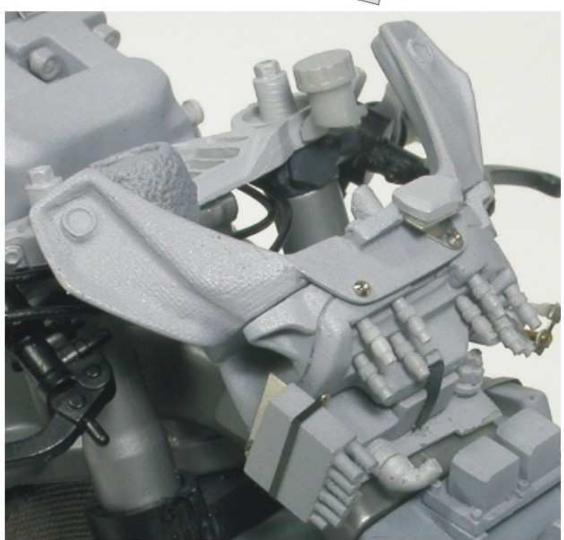
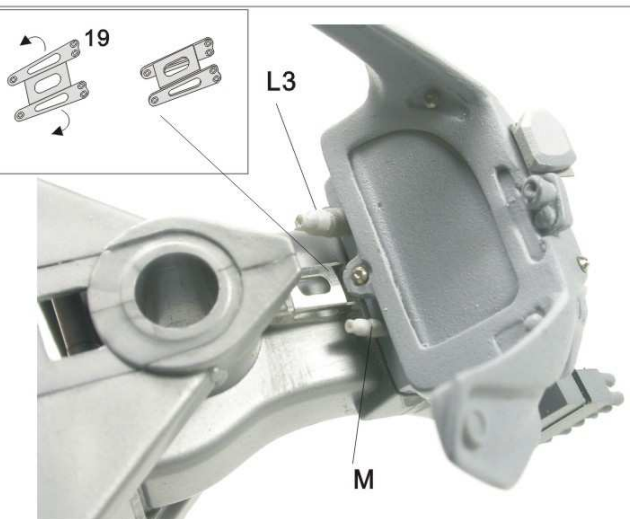
- 3
- 2
- 7

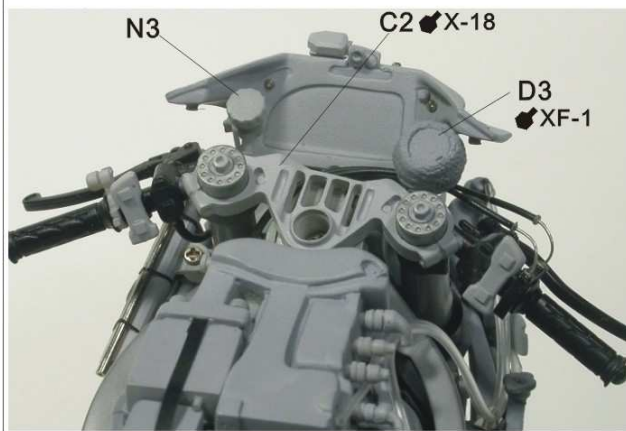


6

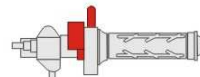


19

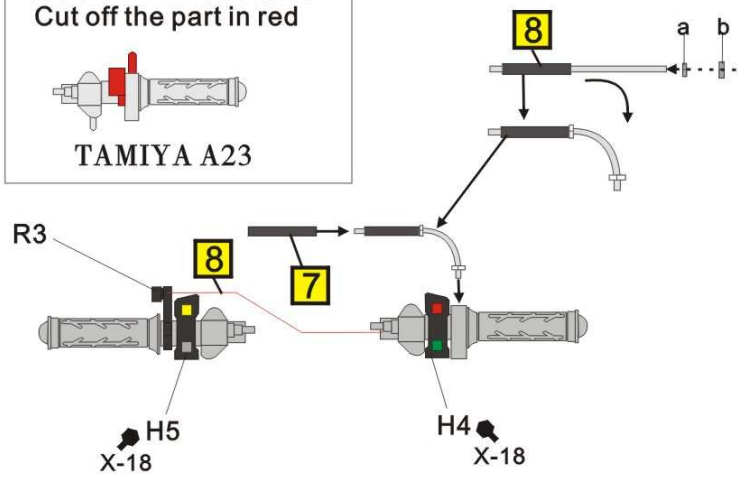




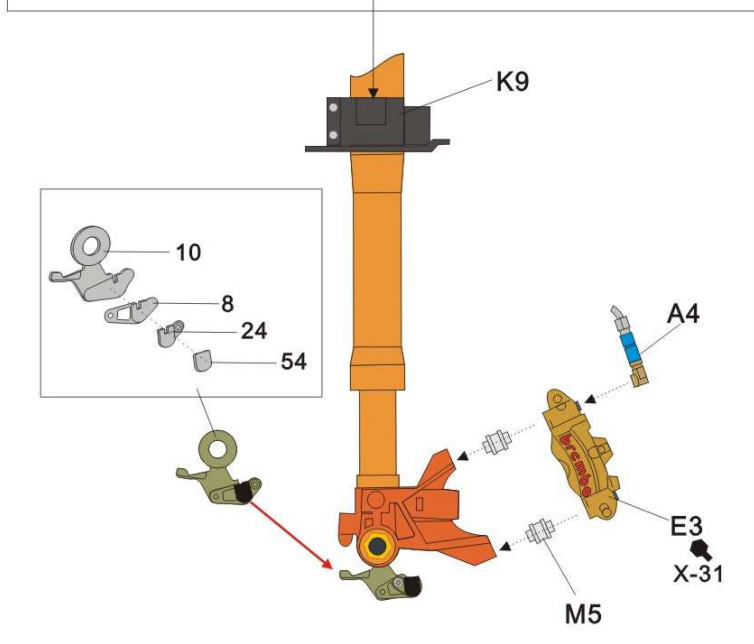
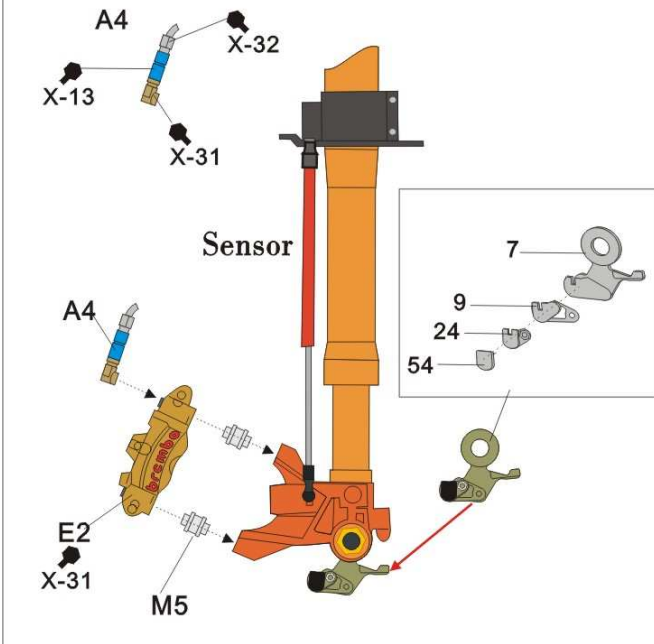
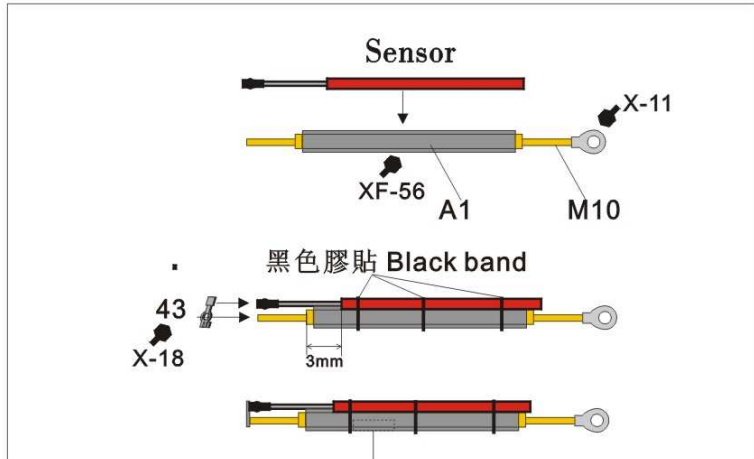
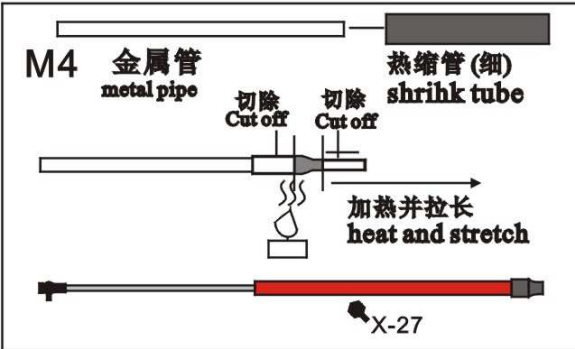
将图中红色部分彻底除
Cut off the part in red

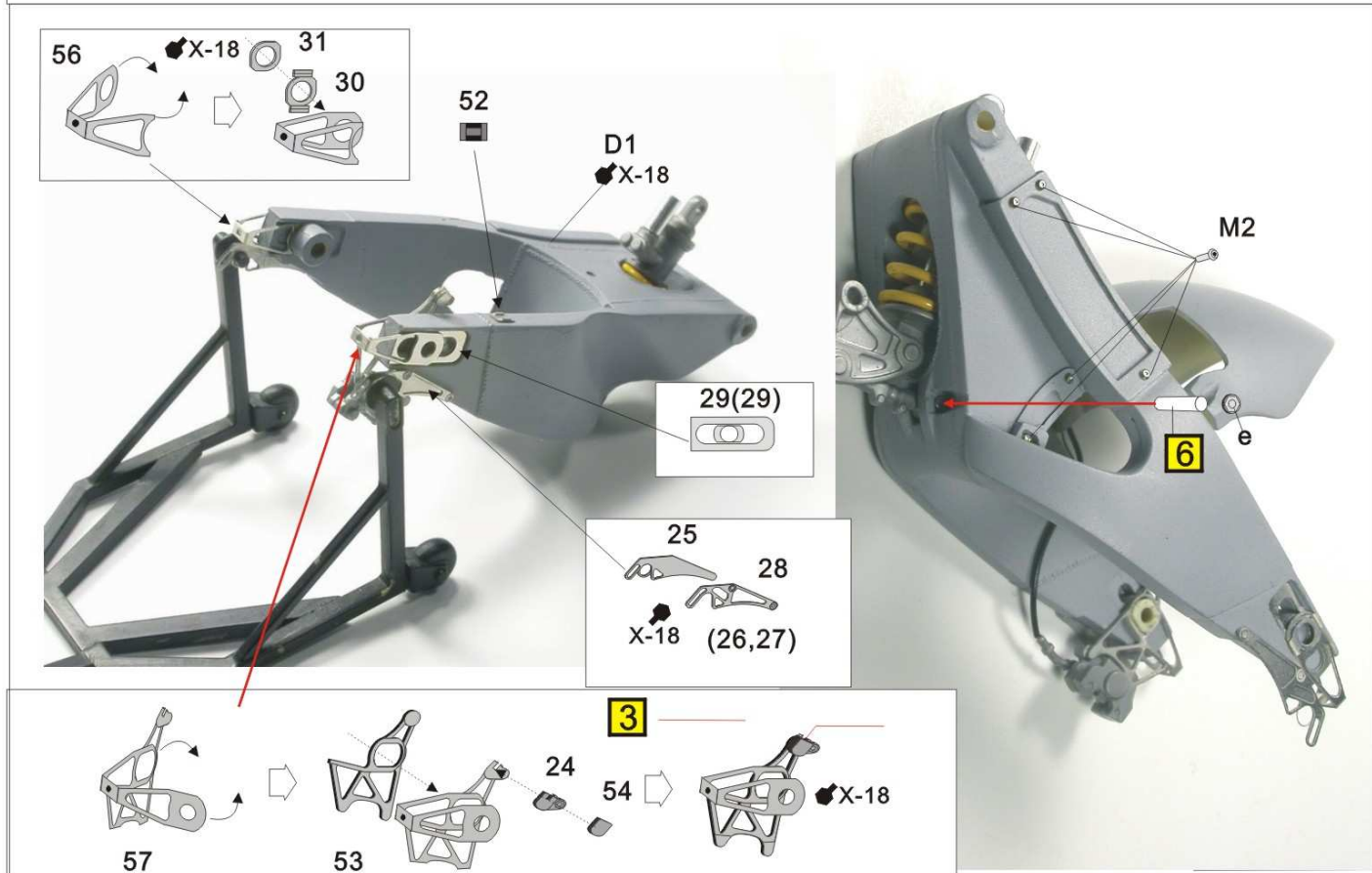
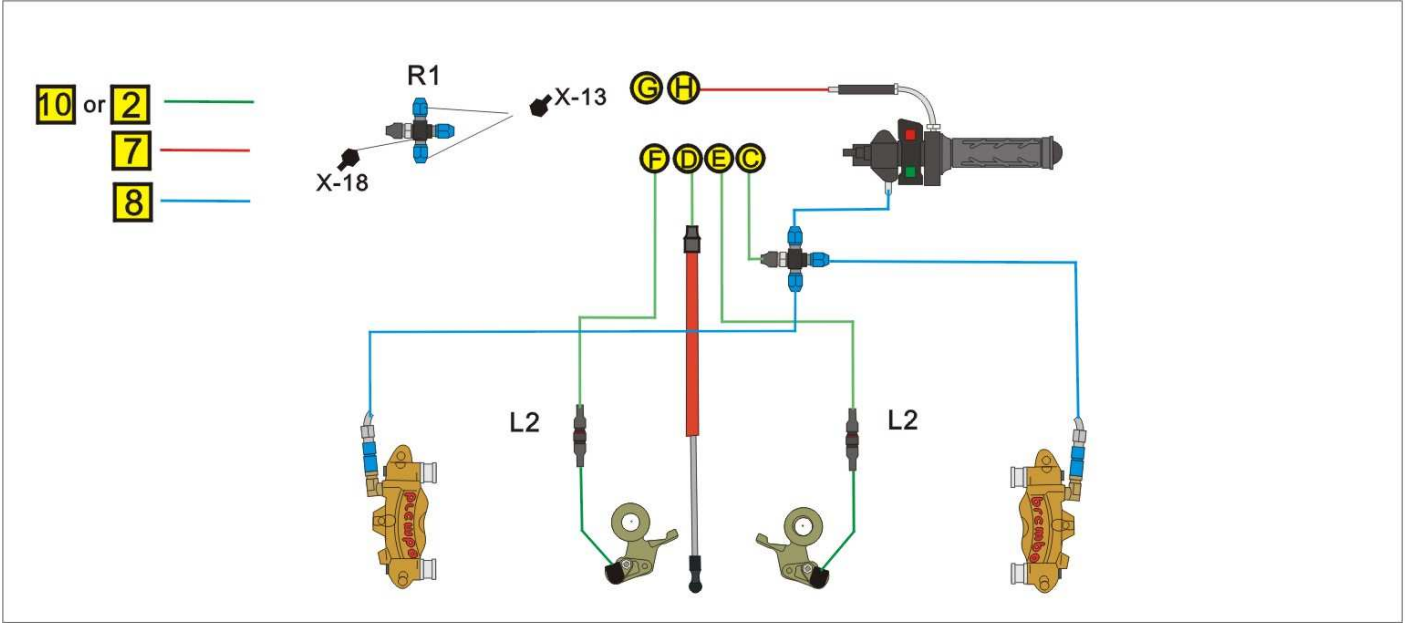


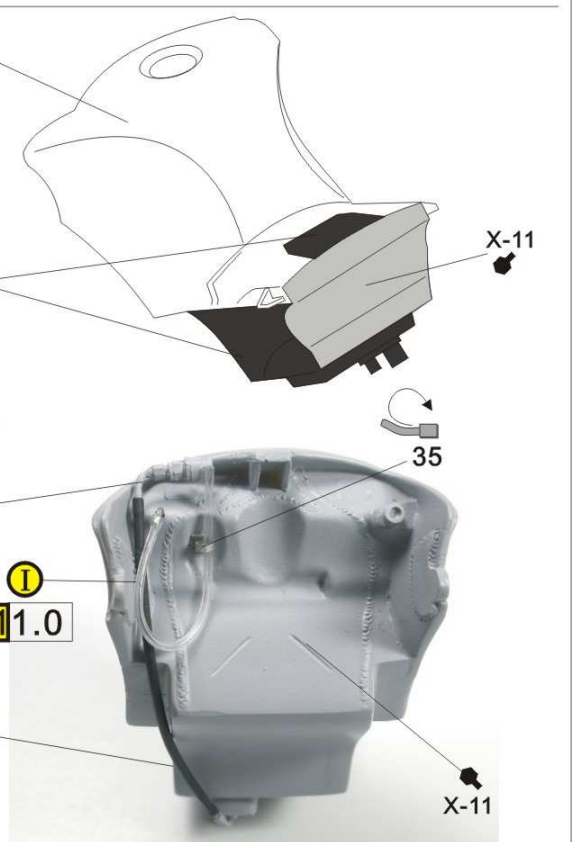
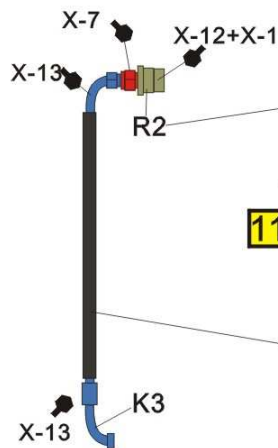
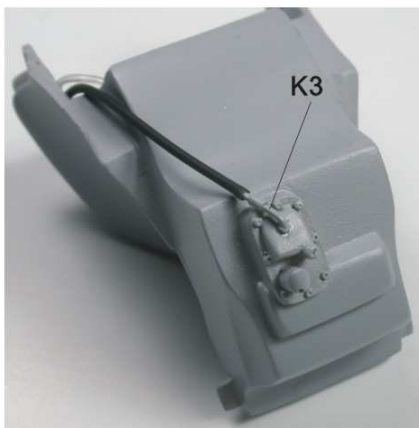
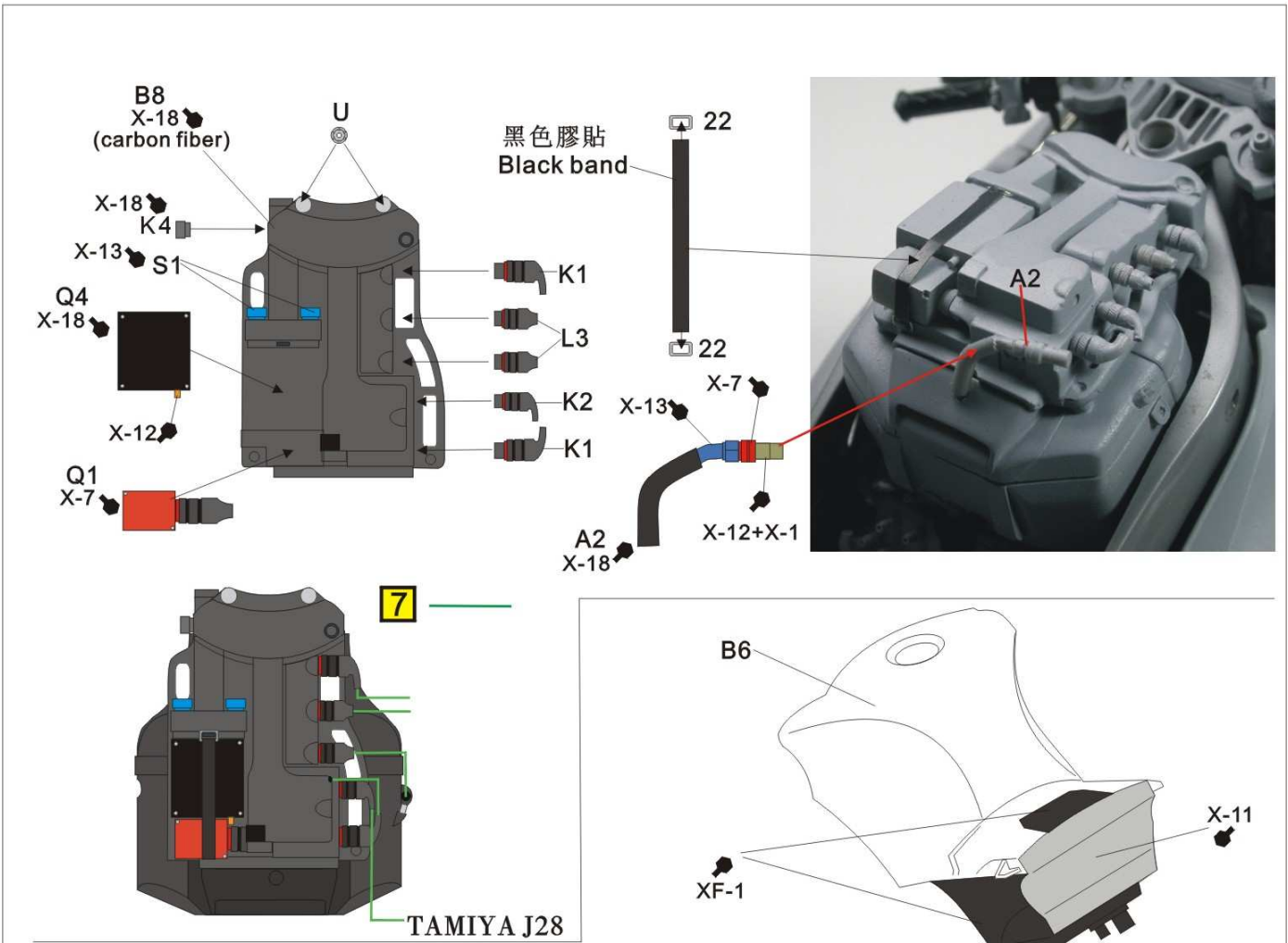
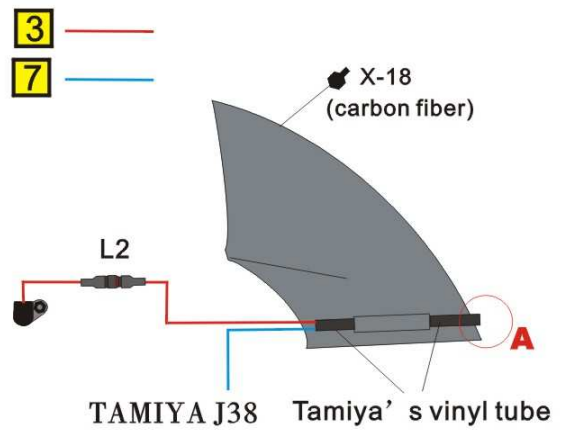
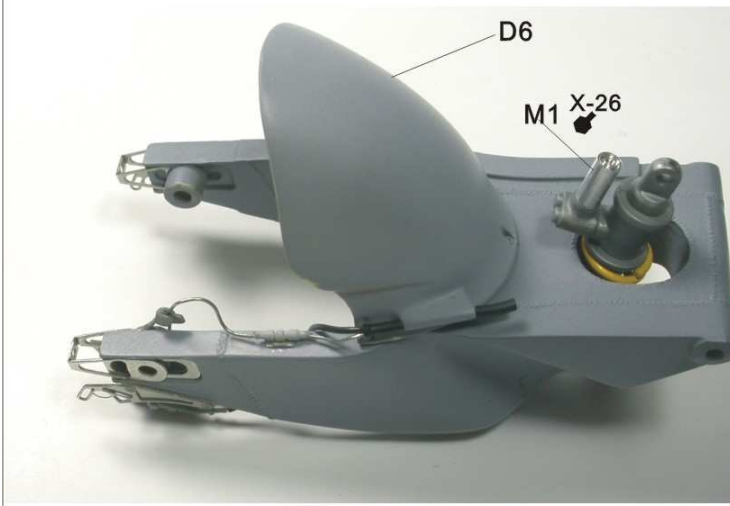
TAMIYA A23

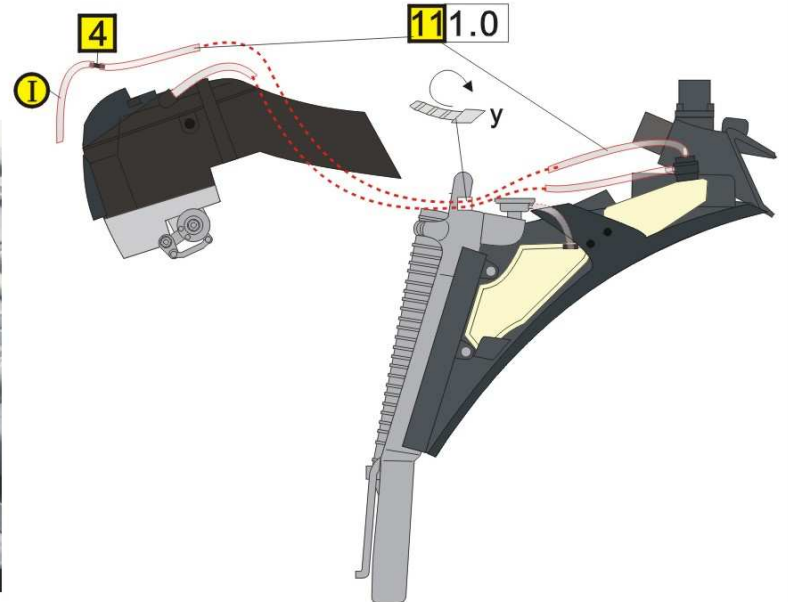
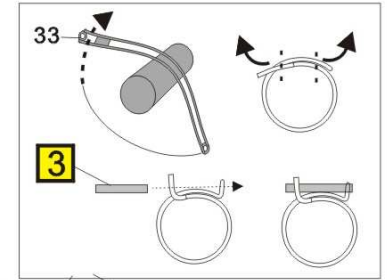
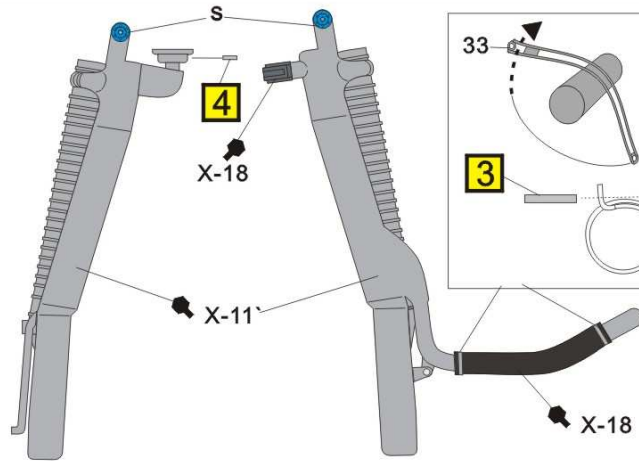
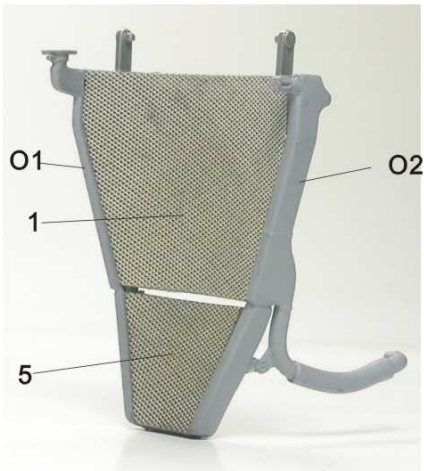
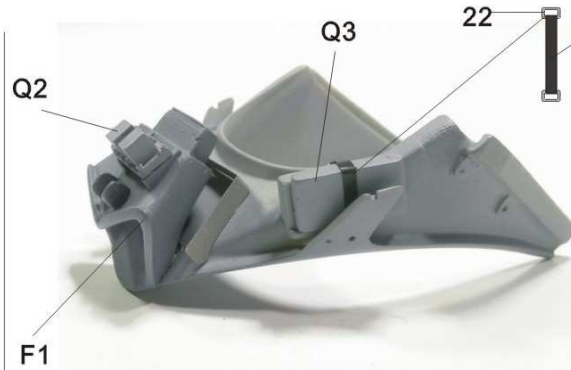
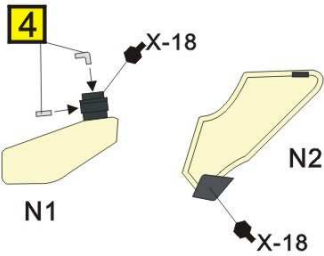
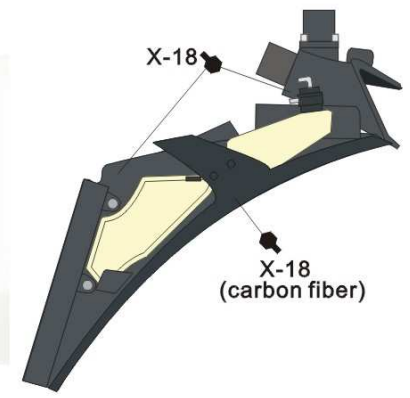
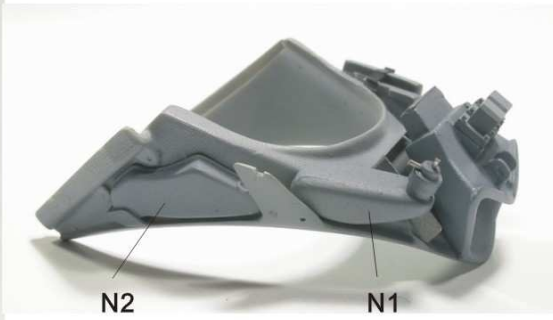
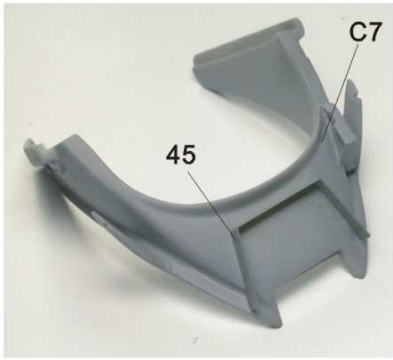


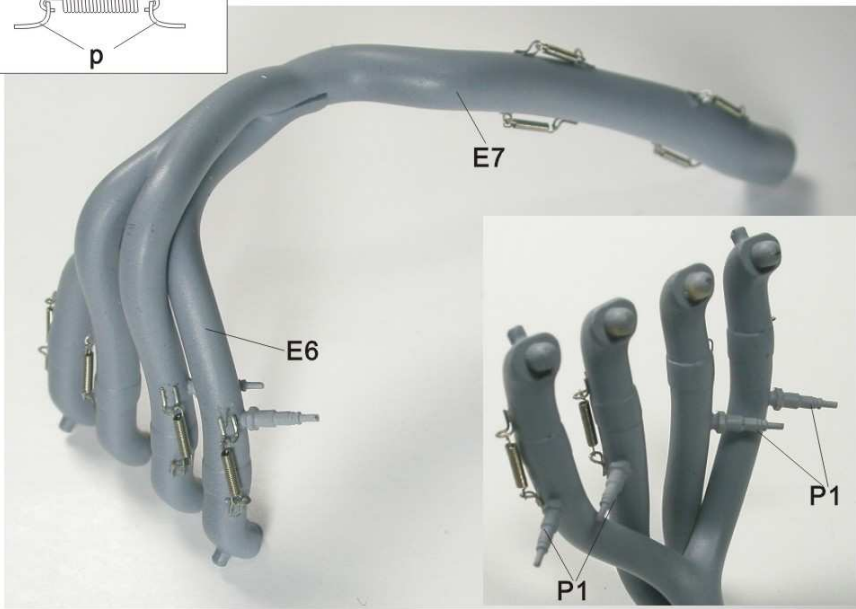
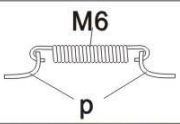
Sensor



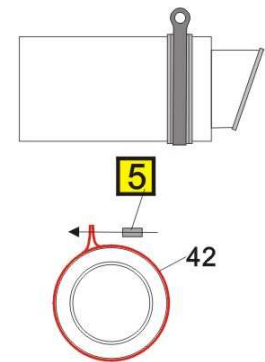
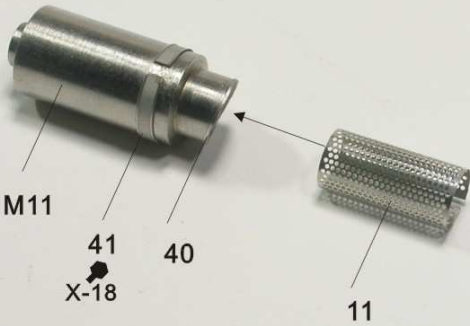
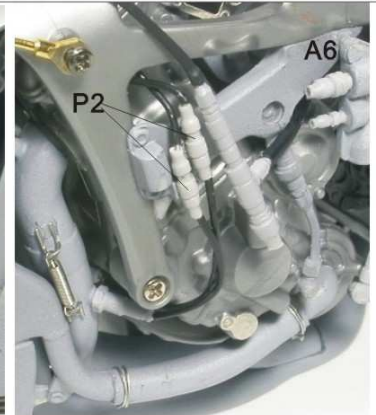
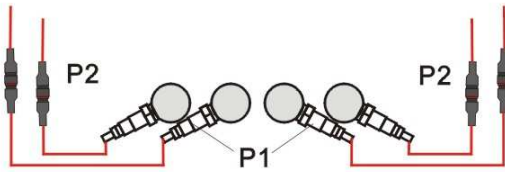




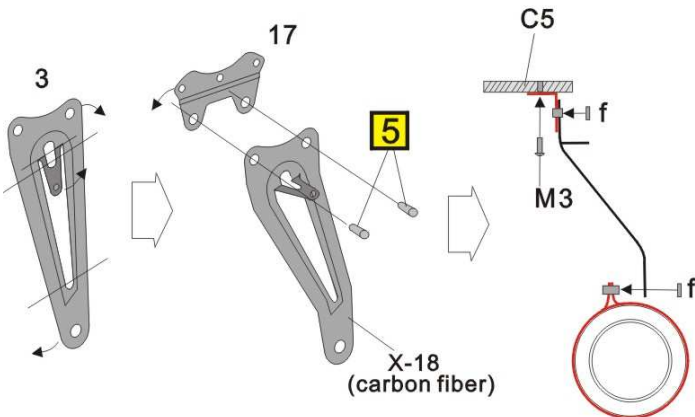


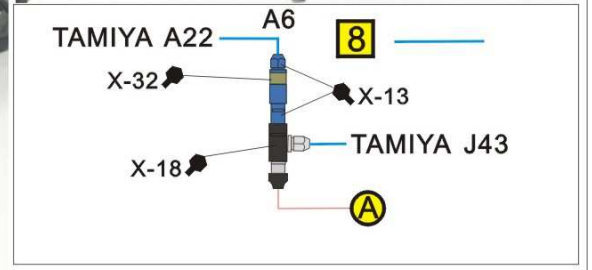
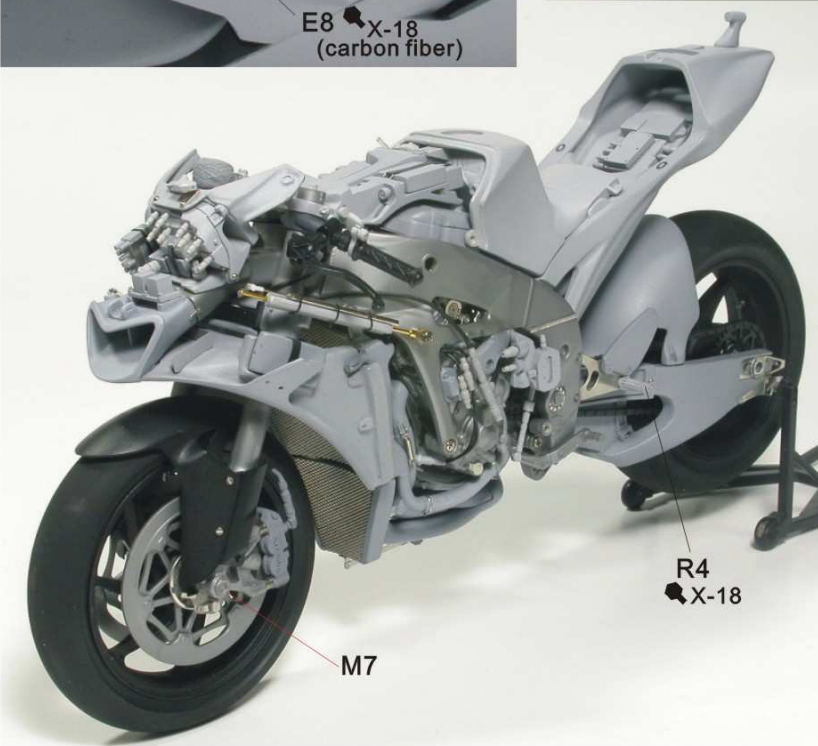
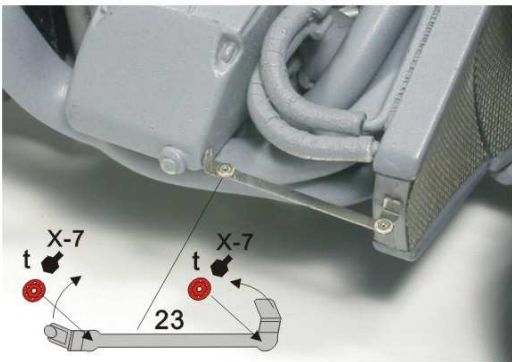
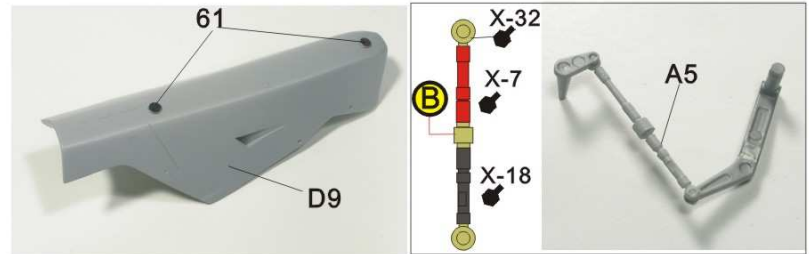
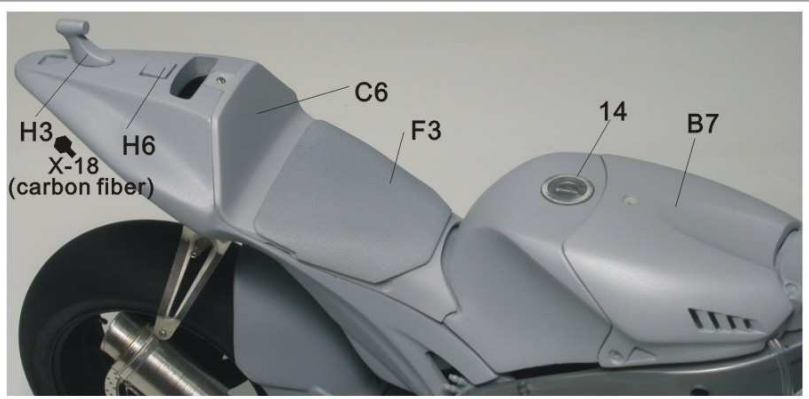
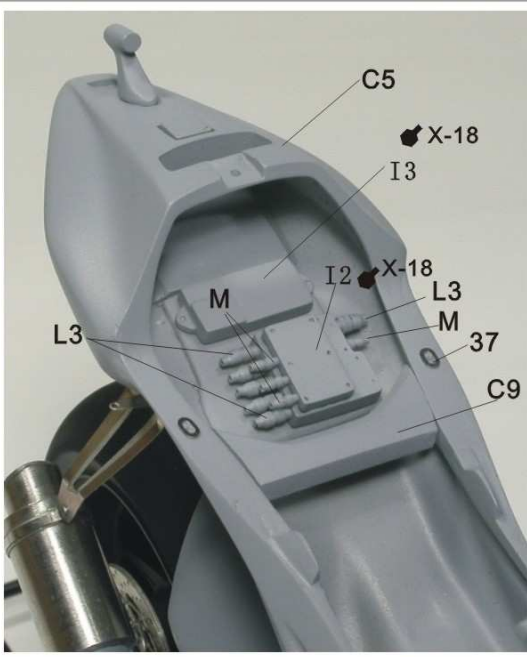


8



5







透明吸塑
Vacuum formed clear part



金屬部件
Metal Parts

	Reservoir tank	M1 × 1
	Rivets 0.9mm(a)	M2 × 20
	Rivets 0.9mm(b)	M3 × 10
	Sensor	M4 × 2
	Caliper spacers	M5 × 4
	Muffler Springs	M6 × 12
	Hex Nuts	M7 × 2
	Screws 1.2mm	M8 × 10
	Air Valves	M9 × 2
	Steering damper inner shaft	M10 × 1
	Exhaust pipe	M11 × 1

蝕刻片A × 1 Photo-etched plate A × 1
 蝕刻片B × 1 Photo-etched plate B × 1
 蝕刻片C × 1 Photo-etched plate C × 1

其他部件：
Other parts

水貼紙 Decals sheet × 1
 黑色膠貼 Black band × 1
 鋁箔貼紙 (用于制作隔熱層), × 1
 metal foil sticker (using as heat shield)
 透明吸塑 Vacuum formed clear part × 1

Using the shrink tube:

熱縮管使用：

1. 將熱縮管均勻加熱，加熱後，熱縮管收縮 (此時為收縮的最大直徑)
 1. heat the shrink tube evenly, it will be shrunk (the tube now in the largest diameter)



2. 待2秒後，將熱縮管拉長，可得到更小的線徑，拉伸越長，線徑越小。
 2. after 2 seconds, stretch the tube, it will be smaller in diameter when stretch more



熱縮管 Shrink tube	加工範圍 Size
黑色管(細) Black (thin)	1.0mm~0.4mm
黑色管(粗) Black (thick)	1.3mm~0.5mm
透明管 Clear	1.5mm~1.0mm

圖例：
Legend: **9**0.6 表示將熱縮管加工到大約0.6mm:
Stretch the shrink tube to about 0.6mm diameter

配線wiring:

編號 number	規格 specification	數量 Quantity
1	細金屬綫 thin metal wire	× 1
2	0.2mm金屬綫 0.2mm metal wire	× 1
3	0.3mm 錫綫 0.3mm solder line	× 1
4	0.5mm 錫綫 0.5mm solder line	× 1
5	0.8mm 錫綫 0.8mm solder line	× 1
6	1.0mm 錫綫 1.0mm solder line	× 1
7	0.5mm 黑色電綫 0.5mm black wire	× 1
8	0.6mm 黑色電綫 0.6mm black wire	× 1
9	黑色熱縮管(粗) Black shrink tube(thick)	× 3
10	黑色熱縮管(細) Black shrink tube(thin)	× 3
11	透明熱縮管 clear shrink tube	× 2

P1
P2

S1 S2 S3 S4 S5

B1 B2 B3 B4

G1
G2

I1 I2 I3 I4

O1
O2

C1 C2 C3 C4

B5

B8

Q1 Q2 Q3 Q4

D1 D2 D3 D4 D5

R1 R2 R3 R4

E1
E2
E3

B6

B7

C7

C8

N1 N2 N3

C5

C6

H3 H4 H5 H6 H7

K1

D6

D1

C9
F1
F2

M
M
M

E4

E5

D9

K1 K2 K3 K4
L1 L2 L3

A1 A2 A3 A4 A5 A6

E6

E7

E8
E9
F3

F4
F5