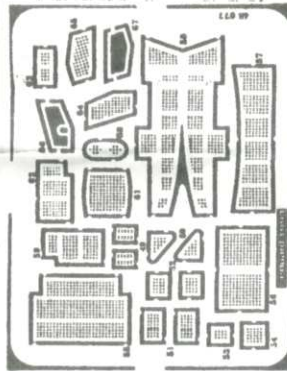
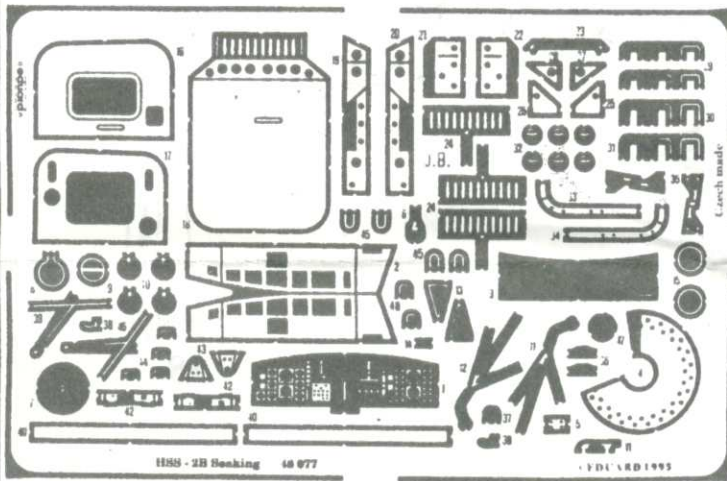




HSS-2 B Seaking

1/48 scale detail set for HASEGAWA kit

48 077

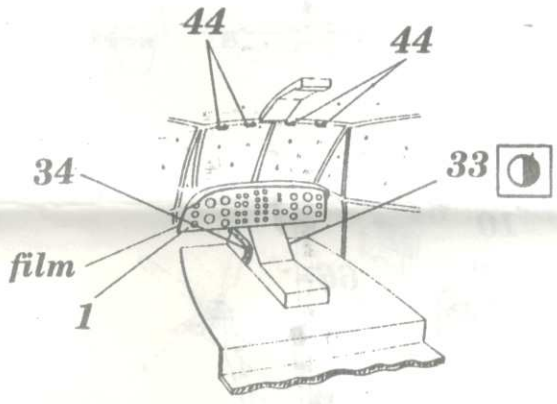


CAUTION !

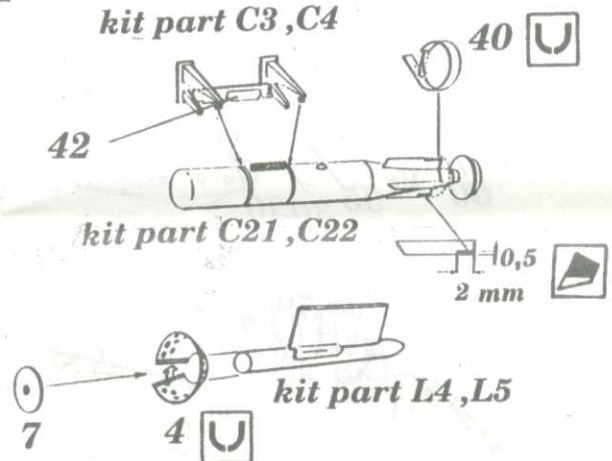
PHOTO ETCHED PARTS CAN ONLY BE GLUED WITH CYANOACRYLATE GLUE. WORK IN A WELL VENTILATED AREA. DO NOT INHALE VAPORS SINCE THESE CAN BE HARMFUL. WASH YOUR HANDS AFTER USING. FIND A DOCTOR ON AN INDISPOSITION.

- REMOVE
- OPOSITE SIDE
- BEND

A COCKPIT INTERIOR



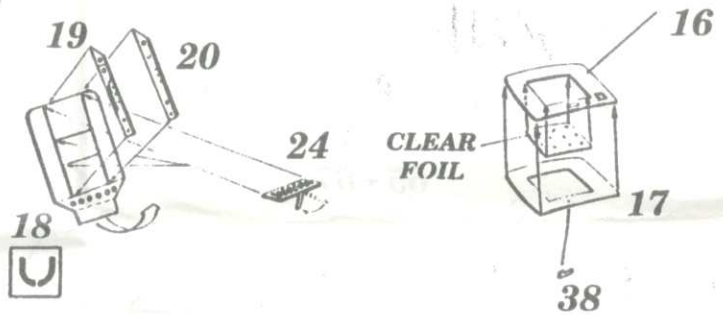
B TORPEDO RACK AND FIN, SONAR BUOY



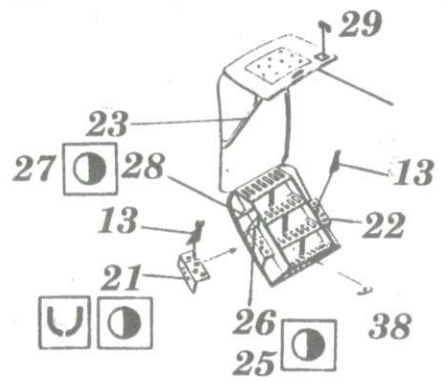
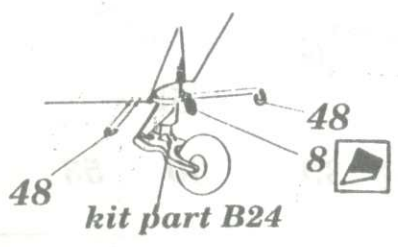
C CRANE



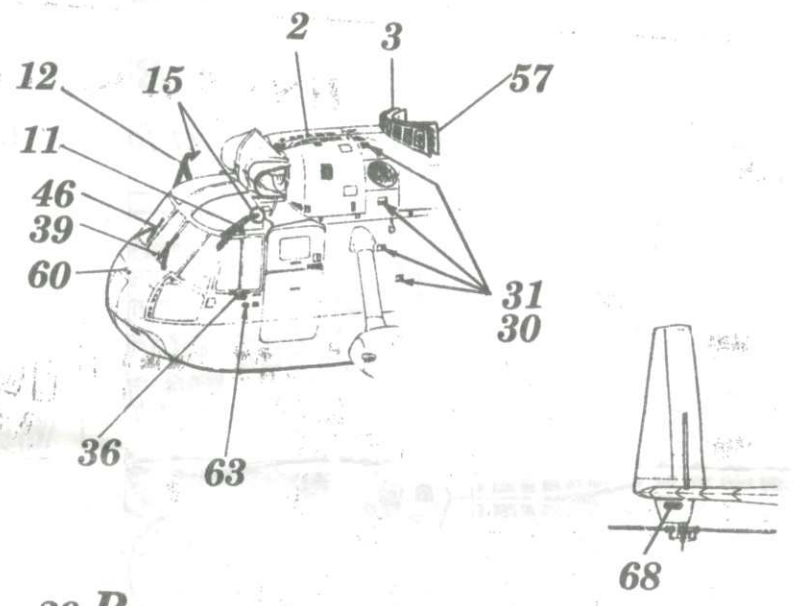
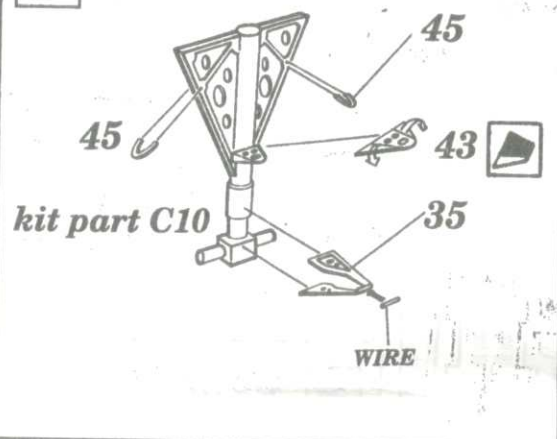
D FORWARD DOORS AND STAIR



E TAIL GEAR



F MAIN UNDERCARRIAGE



EXTERIOR ASSEMBLY

