

F-16C BLOCK 52 RSAF



F-16C BLOCK 52 RSAF

The F-16 Fighting Falcon is a compact, multi-role fighter aircraft. It is highly maneuverable and has proven itself in air-to-air combat and air-to-surface attack. It provides a relatively low-cost, high-performance weapon system for the United States and allied nations.

The Republic of Singapore Air Force operates 62 F-16 Fighting Falcons, all of which are advanced F-16C/D block 52 aircraft. These aircraft are equipped with state-of-the-art armament, including AIM-120 AMRAAM and (presumably) the Israeli Python 4 missile linked to a DASH-3 Helmet Mounted Sight.

The F-16C/D Fighting Falcon is one of the most sophisticated and advanced multi-role fighter aircraft in the world. It is equipped with advanced avionics, a modern radar and a precision navigation system using the Global Positioning System (GPS) for air-to-air and air-to-ground missions. It is able to carry a wide range of ordnance including the AIM-7 Sparrow and AIM-9 Sidewinder air-to-air missiles, Maverick air-to-ground missiles and laser-guided bombs. The F-16C/D can also carry the Low Altitude Navigation and Targeting Infra-Red for Night (LANTIRN) system, which allows for precision navigation and attack.

CAUTION

- *Read carefully and fully understand the instructions before commencing assembly.
- *Keep out of reach of children. Children must not be allowed to put any parts in their mouths, or pull plastic bag over their heads.
- *When using adhesives and paints, please make sure not to use them in closed room or near the fire.
- *When assembling this kit, tools including knives are used. Extra care should be taken to avoid injury.

WARNING: CONTAIN SMALL PARTS NOT FOR CHILDREN UNDER 14 YEARS OF AGE.



Drill



Remove



2 Set



Bend



Optional



Decal



Super Glue



Fill Hole



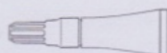
No Cement



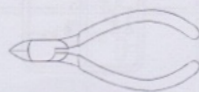
Be Careful

TOOLS RECOMMENDED

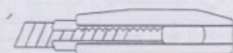
Cement



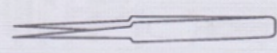
Side Cutter



Modeling Knife



Tweezers



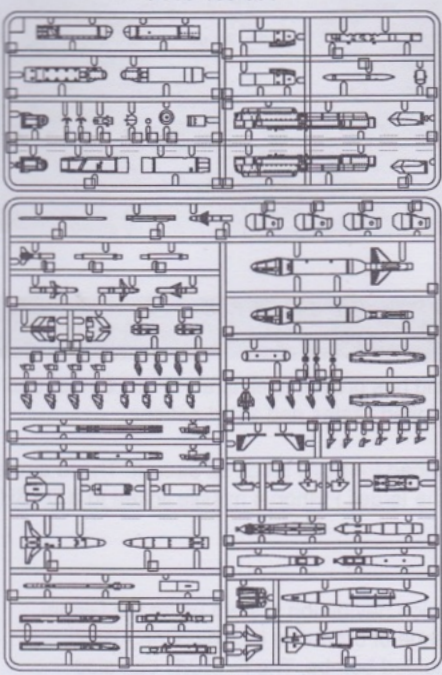
1/48 F-16C BLOCK 52 RSA NO.K48133

AFTERMARKET SERVICES CARD

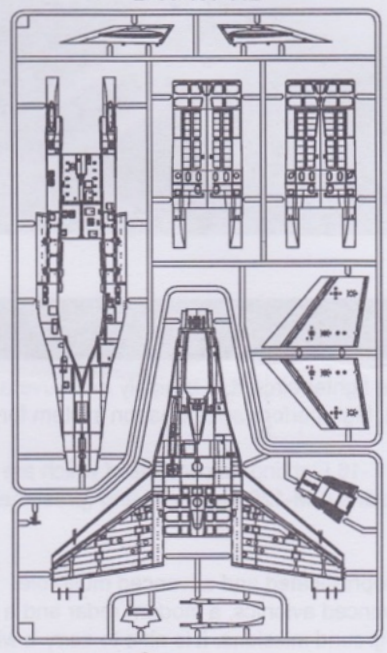
When requesting replacement parts, please take or send this form to your local dealer so that the parts required can be correctly identified. Please note that specifications and availability are subject to change without notice. Or visit <http://www.kineticmodel.com> for latest information. For more information, please contact services@kineticmodel.com

Part Code	K48133	Qty	Item	Part Code	Qty	Item
00-180-001	1/48 MODERN US TARGETING POD	1	A	00-180-007	1	G
00-180-002	1/48 F-16 LOWER FUESLAGE	1	B	00-180-007-S	1	G
00-180-003	1/48 F-16A/C UPPER FUESLAGE	1	C	00-180-010	2	K
00-180-004	1/48 F-16 MAIN PARTS	1	D	01-100-001	1	DECAL
00-180-005	1/48 NSI INTAKE and LANDING GEAR	1	E	01-180-48133	1	DECAL
00-180-006	1/48 F-16 FUEL TANKS, SEATS	2	F	03-180-48133	1	MANUAL

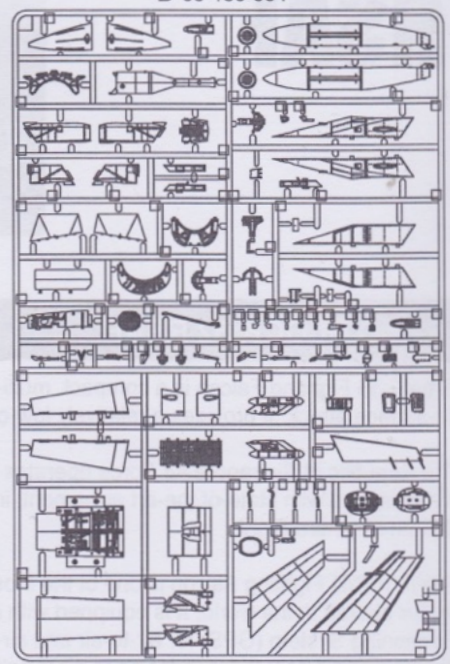
A 00-180-001



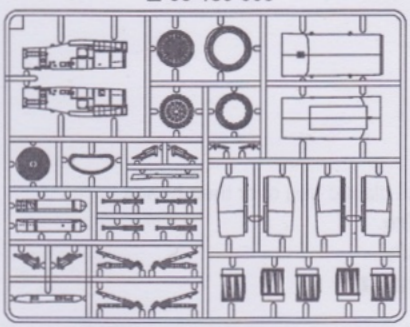
B 00-180-002



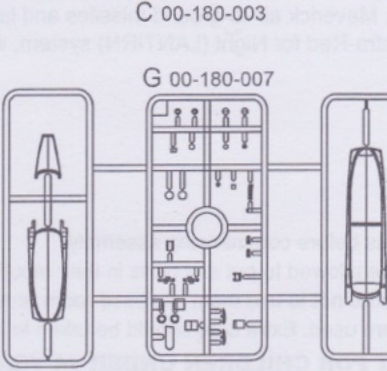
D 00-180-004



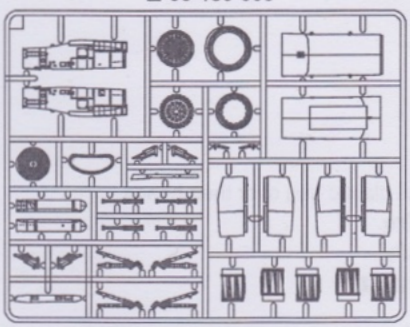
K 00-180-010 x2



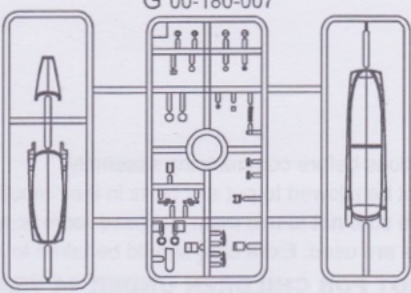
C 00-180-003



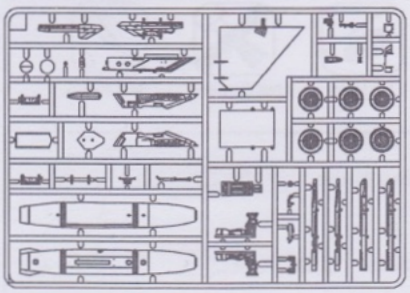
E 00-180-005



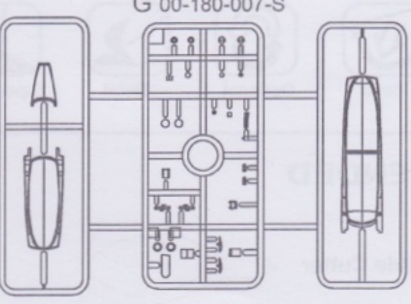
G 00-180-007



F 00-180-006 x2



G 00-180-007-S

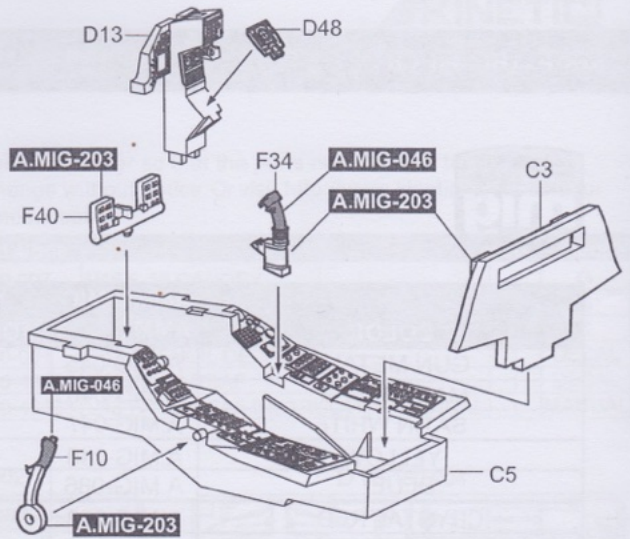
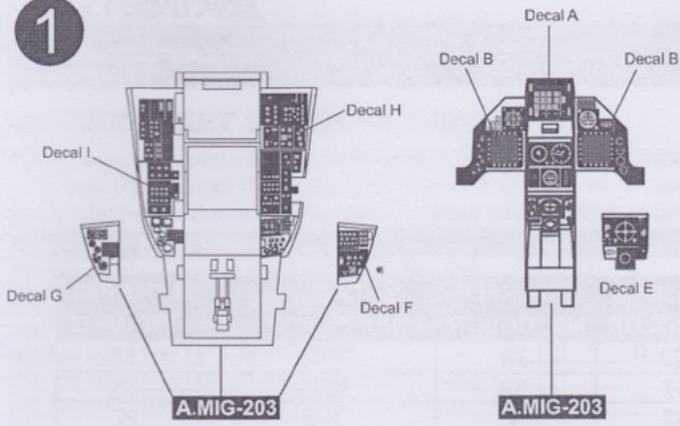




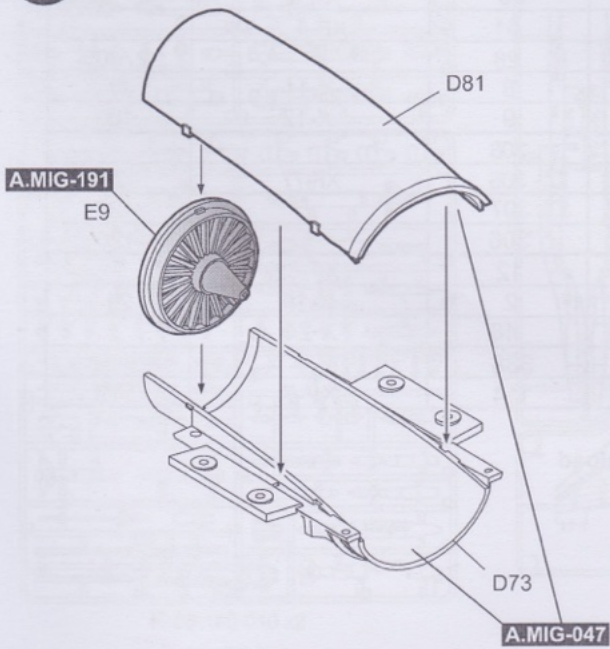
COLOR	AMMO MIG AMM	VALLEJO MODEL COLOR	GSI CREOS MR. COLOR	TAMIYA ENAMEL/ACRYLIC	HUMBROL ENAMEL
GUN METAL	A.MIG-045	70.863	78	X-10	53
MATT BALCK	A.MIG-046	71.057	33	XF-1	33
SATIN WHITE	A.MIG-047	70.842	1	X-2	22
YELLOW	A.MIG-048	71.002	4	XF-3	69
BLUE	A.MIG-086	71.089	323/5	X-4	14
CRYSTAL RED	A.MIG-093	70.934	47	X-27	220
CRYSTAL BLUE	A.MIG-098	70.938	50	X-23	-
BURNT IRON	A.MIG-187	71.073	61	XF-4	-
STEEL	A.MIG-191	70.864	28	-	27003
SILVER	A.MIG-195	71.063	8	X-11	11
GOLD	A.MIG-198	71.066	9	X-12	16
GHOST GRAY FS 36375	A.MIG-203	70.990	308	-	-
GUNSHIP GRAY	A.MIG-204	71.047	305	XF-77	125
FS36320	A.MIG-208	71.120	307	-	128
FS336270	A.MIG-211	71.275	306	-	126
DARK OILVE DRAB	A.MIG-237	71.016	12	XF-62	-
SATIN BLACK	A.MIG-032	70.861	2	X-18	21
CLEAR YELLOW	-	70.937	48	X-24	-
FS 36495	A.MIG-209	71.276	338	-	-
RED	A.MIG-049	71.003	114	XF-7	19

For Color Profile, please go to www.kineticmodel.com for download
(type the kit# and go for manual/painting guide)

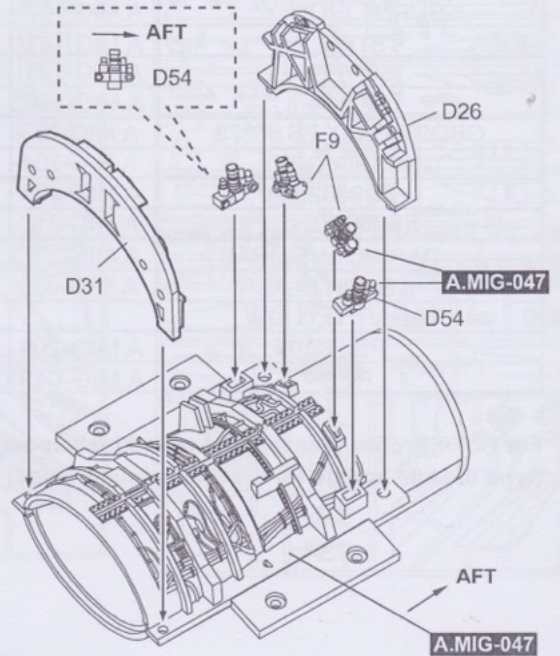
1



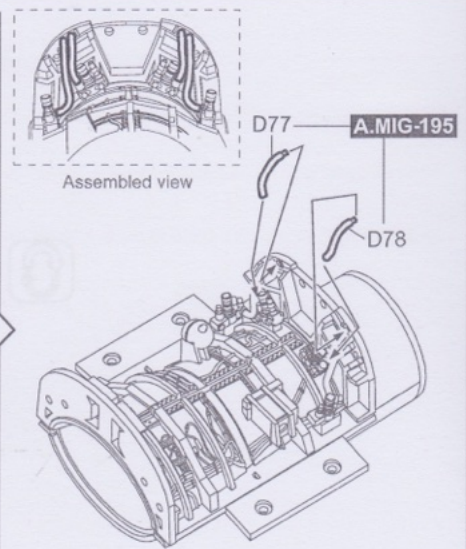
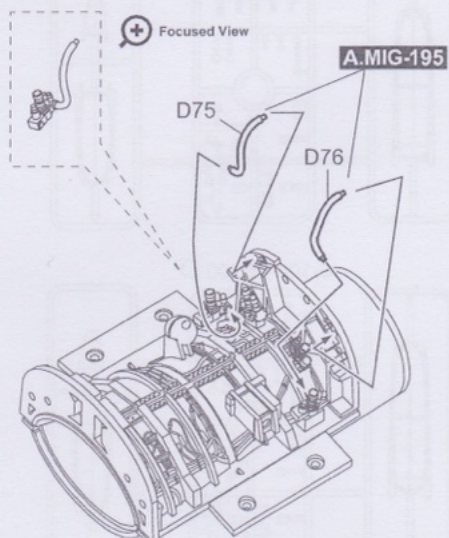
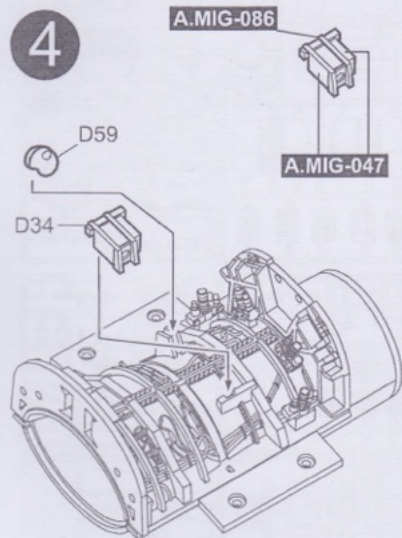
2



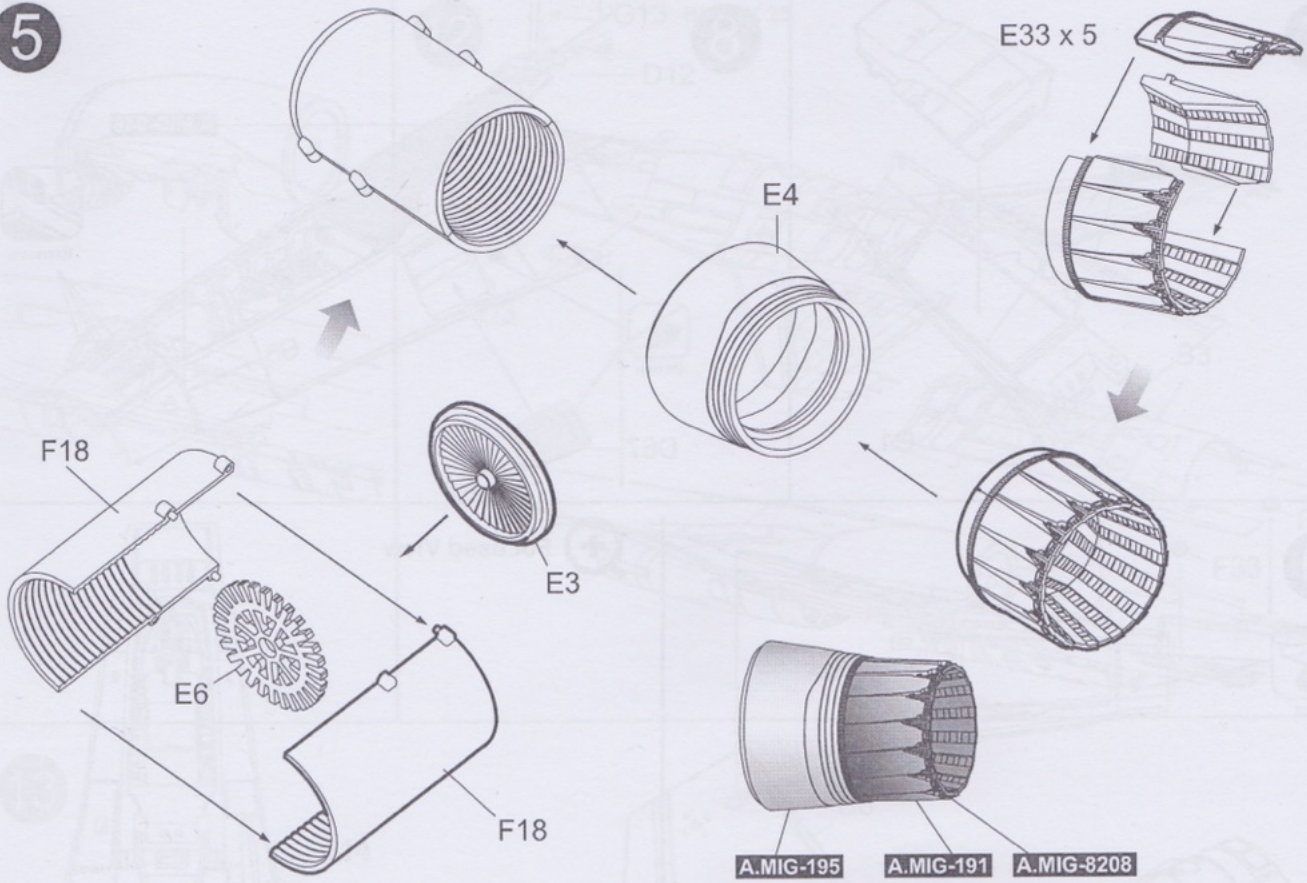
3



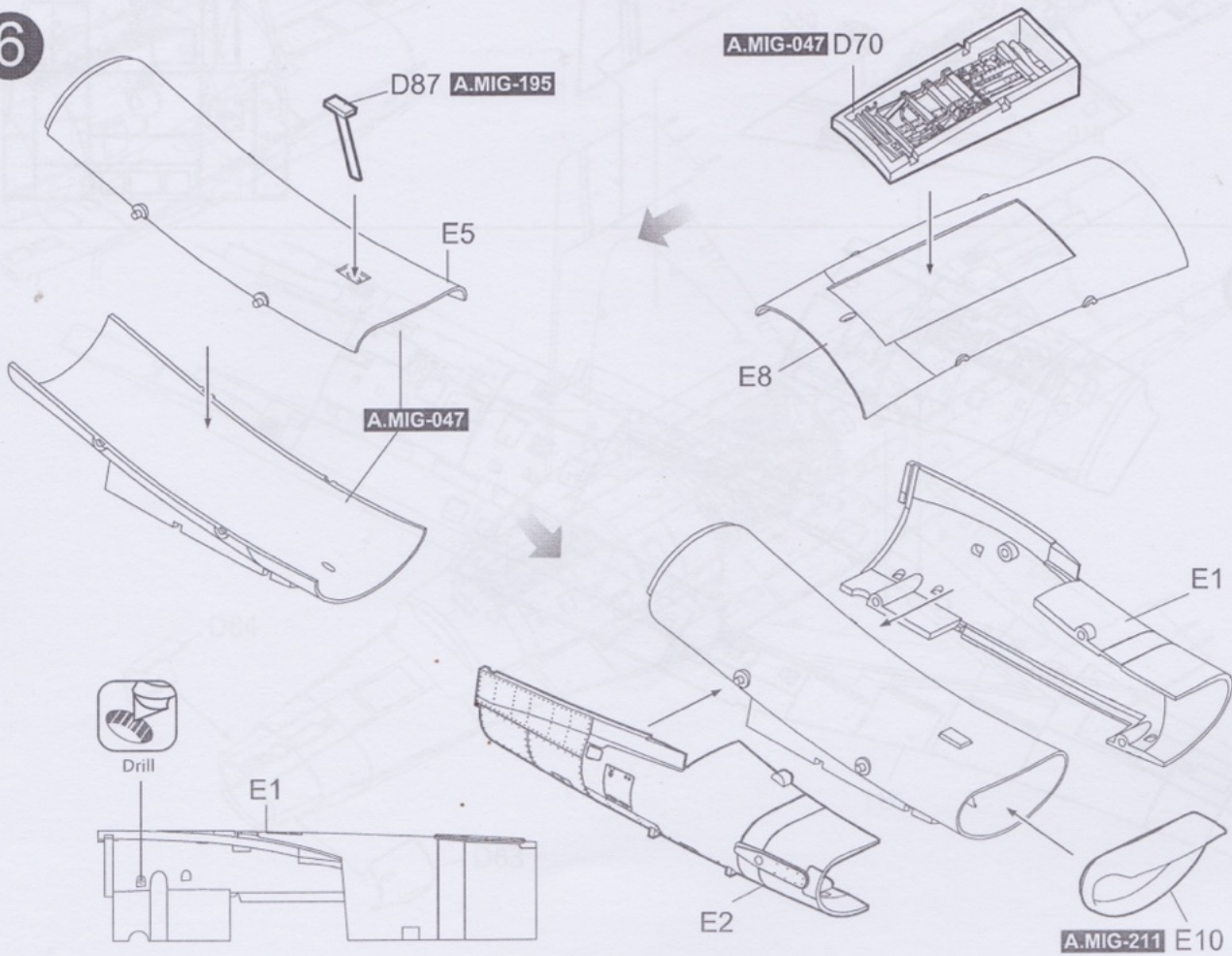
4



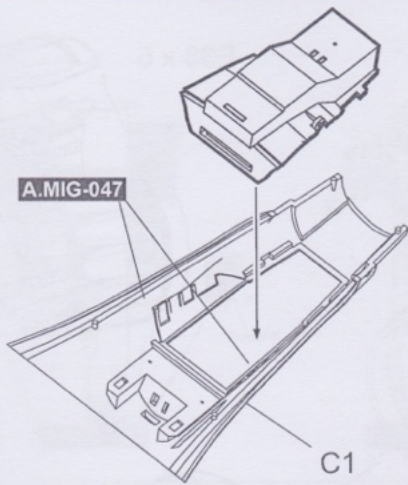
5



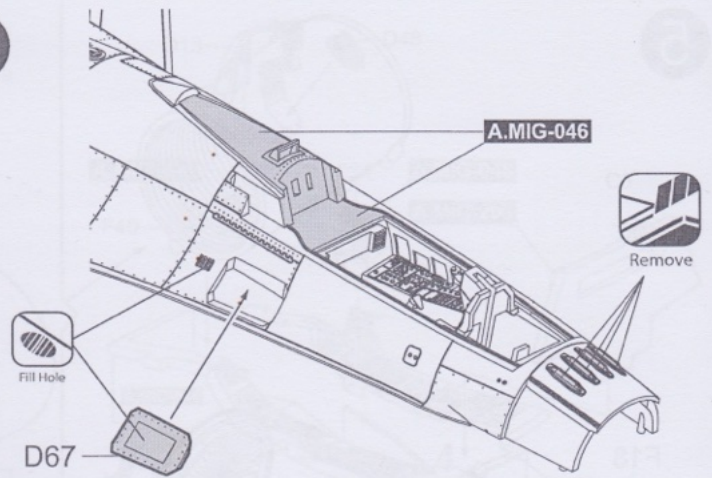
6



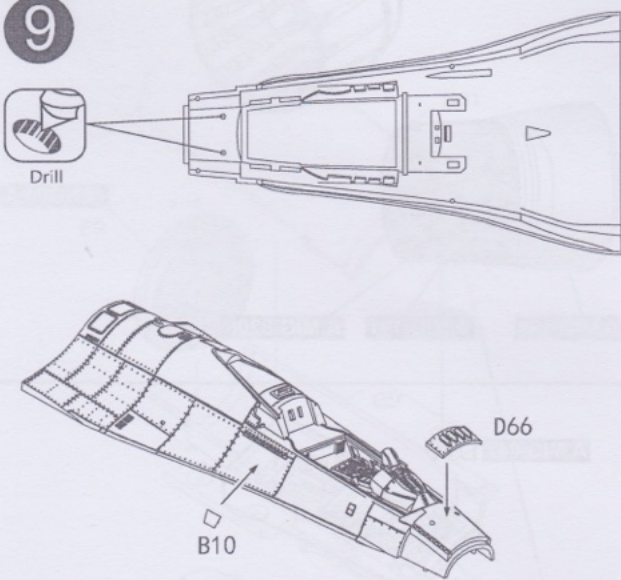
7



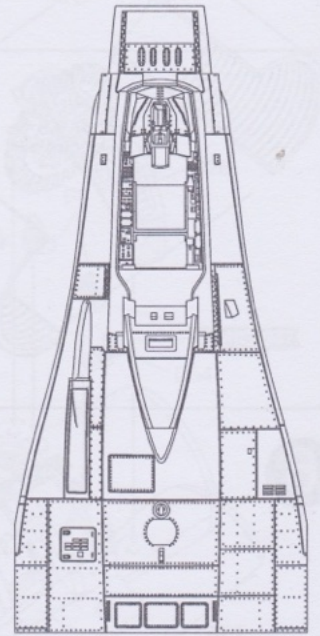
8



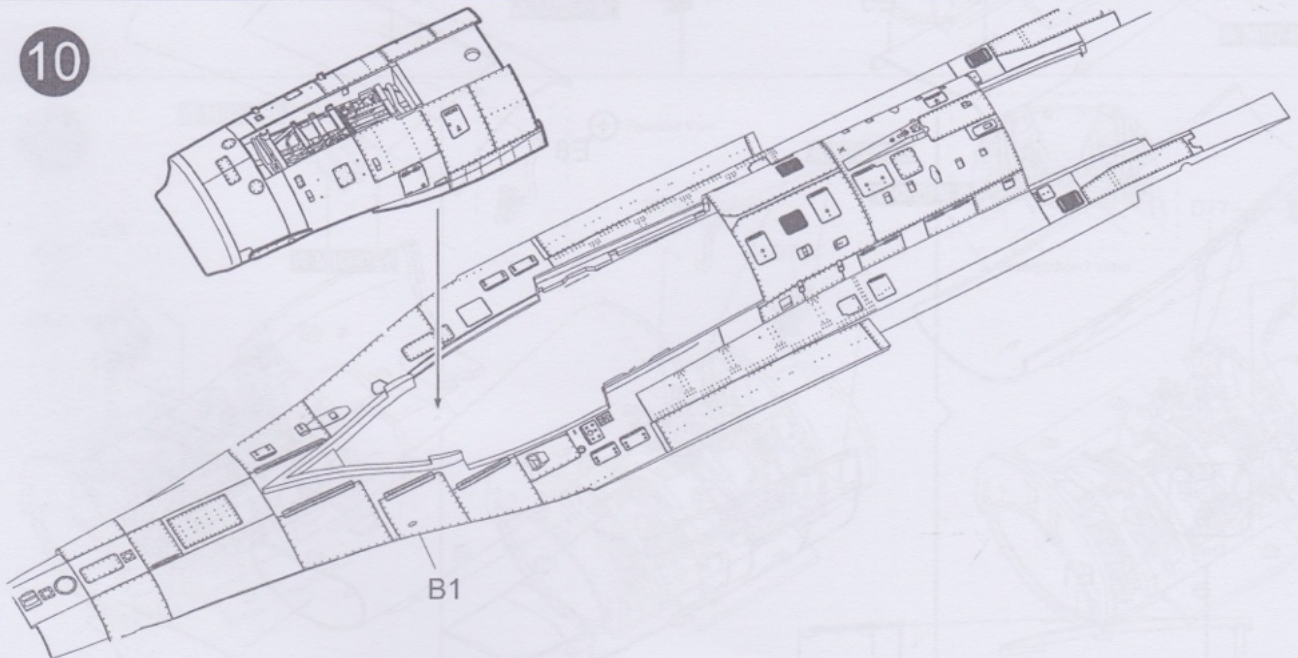
9



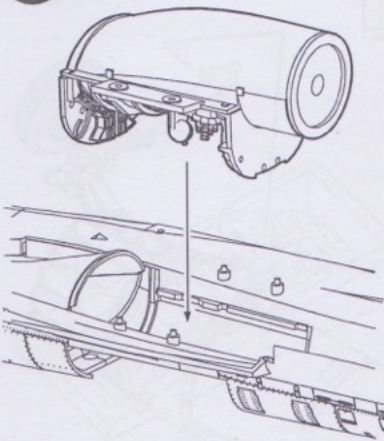
+ Focused View



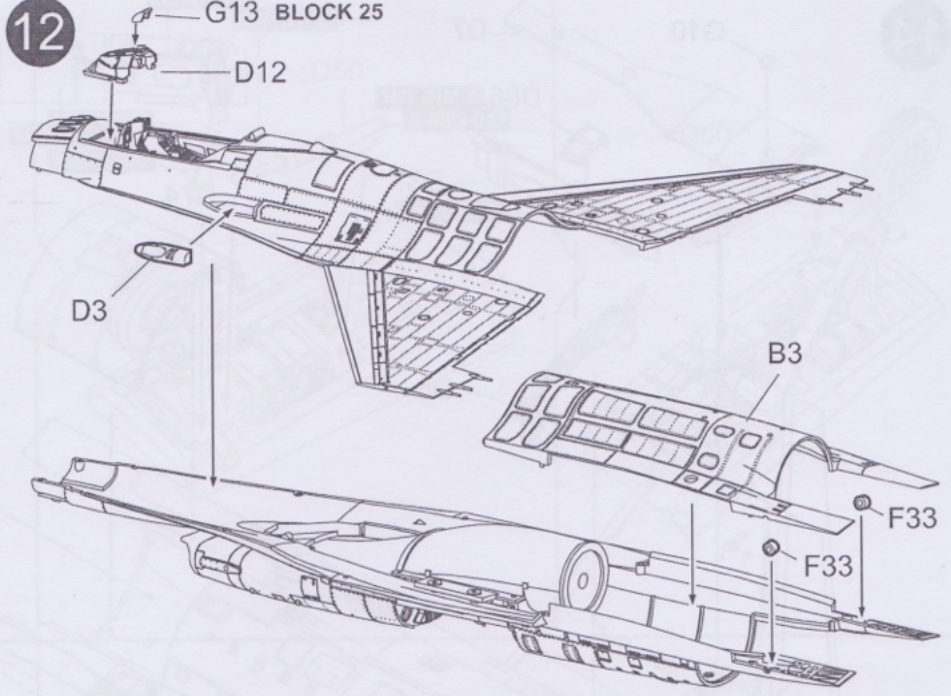
10



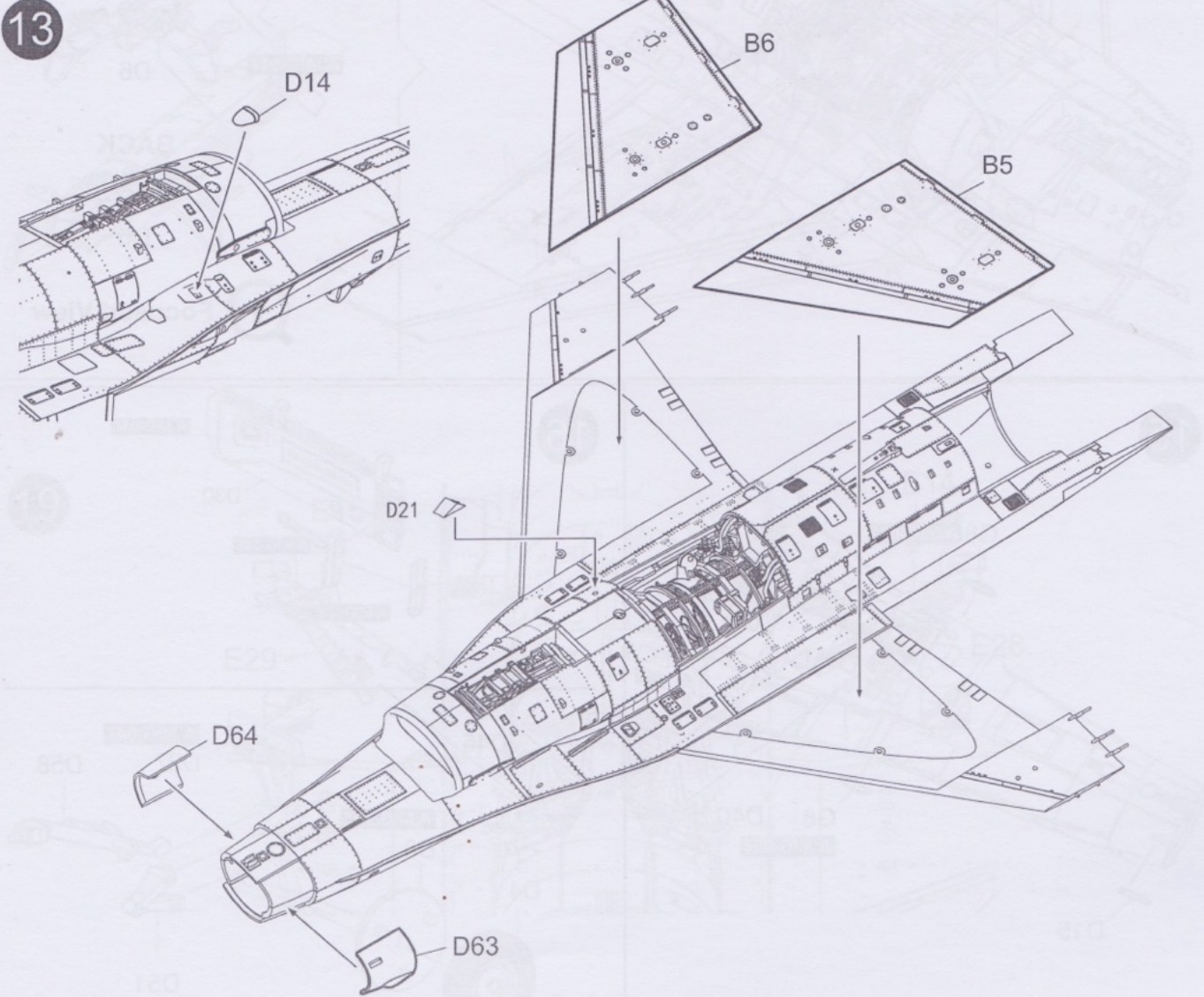
11



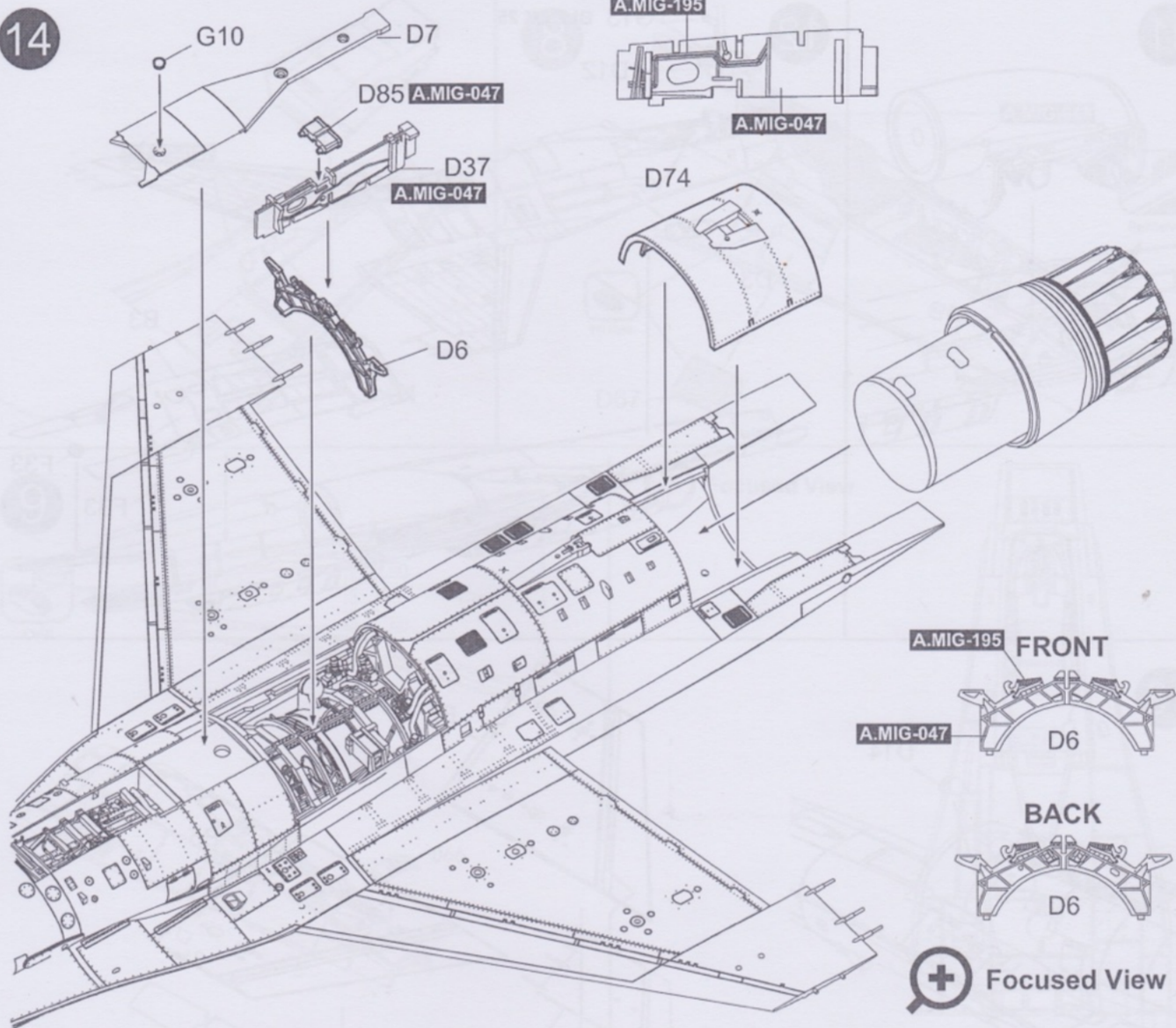
12



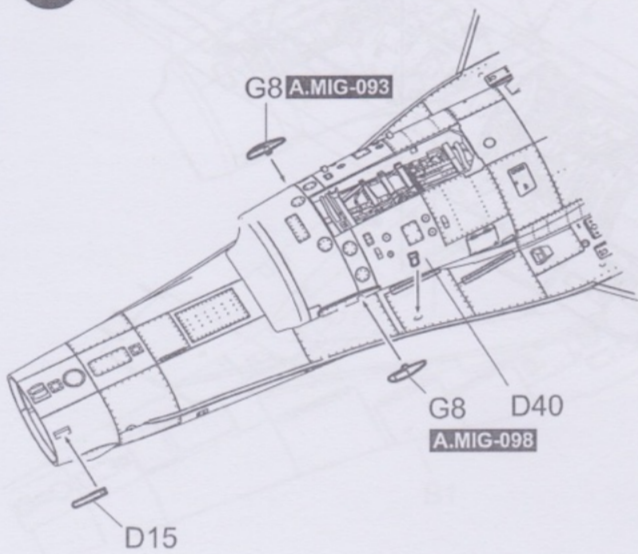
13



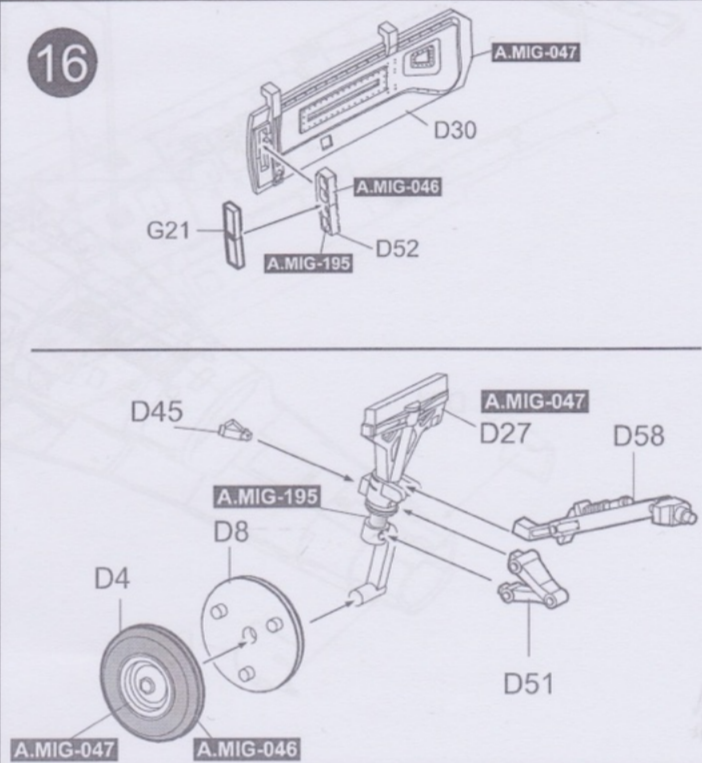
14



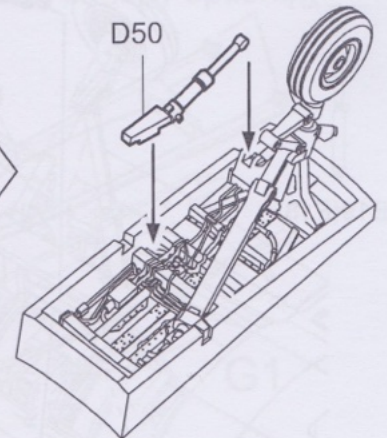
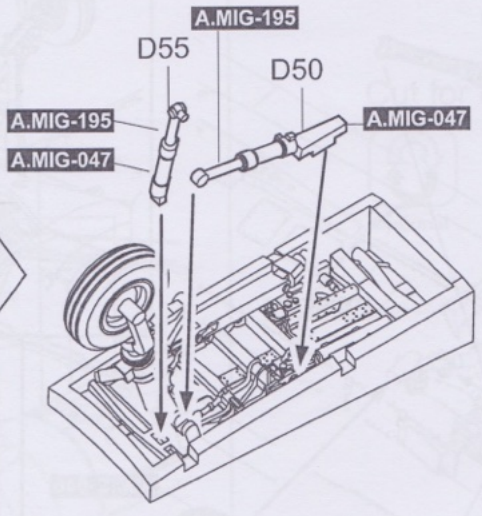
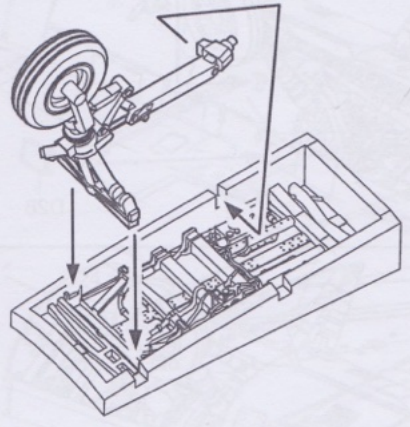
15



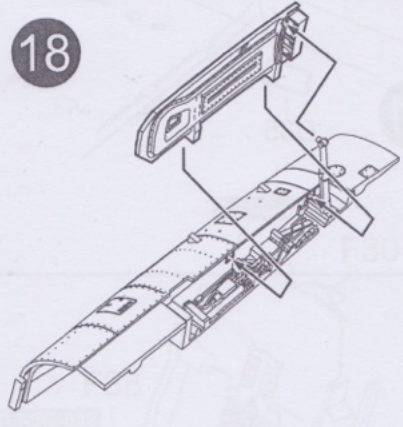
16



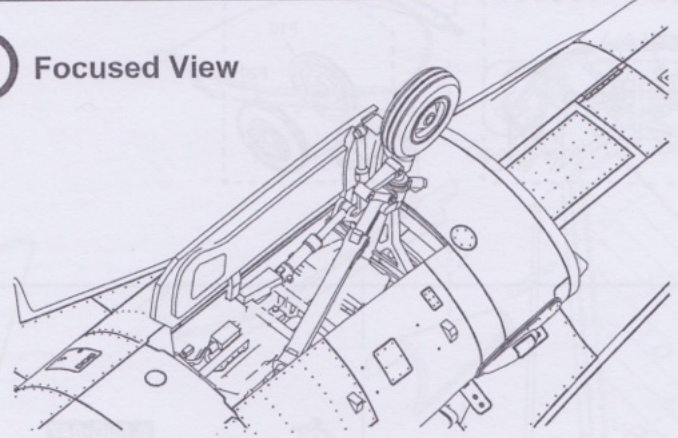
17



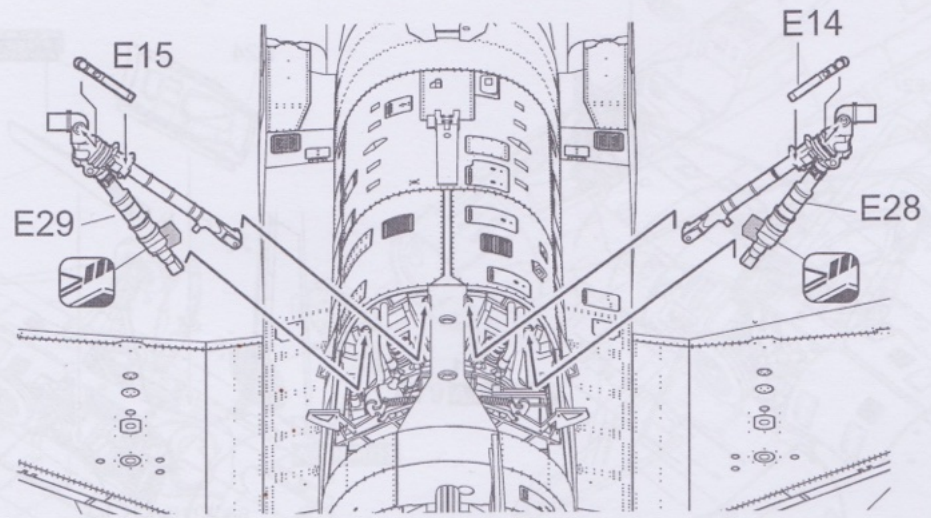
18



+ Focused View



19

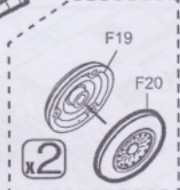
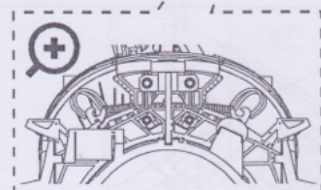
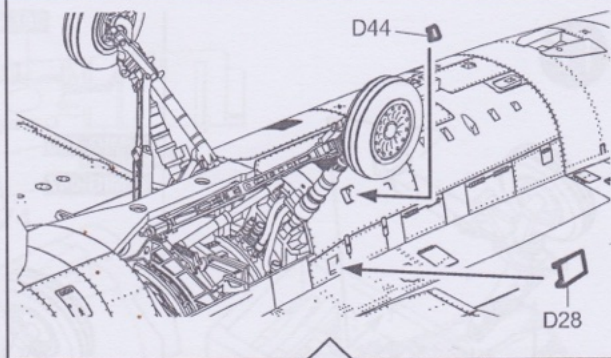


20

AFT

E19(E18)

E20(E21)



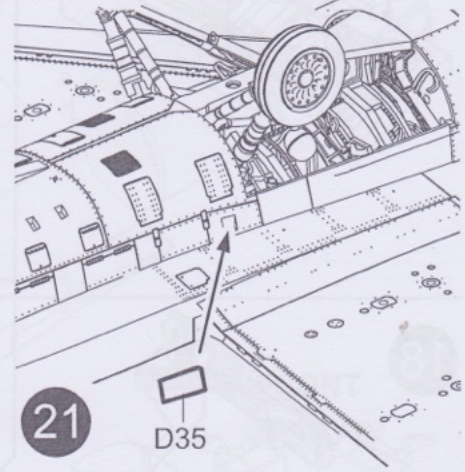
A.MIG-046

A.MIG-047

F31(F31)

21

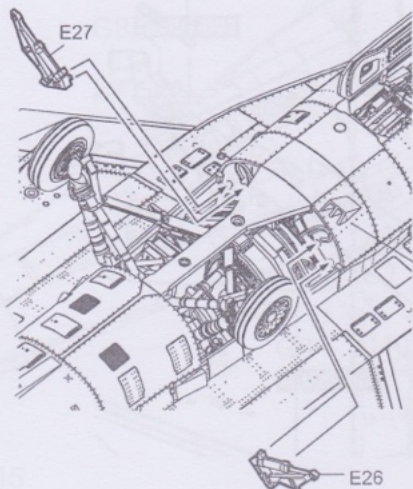
D35



22

A.MIG-047

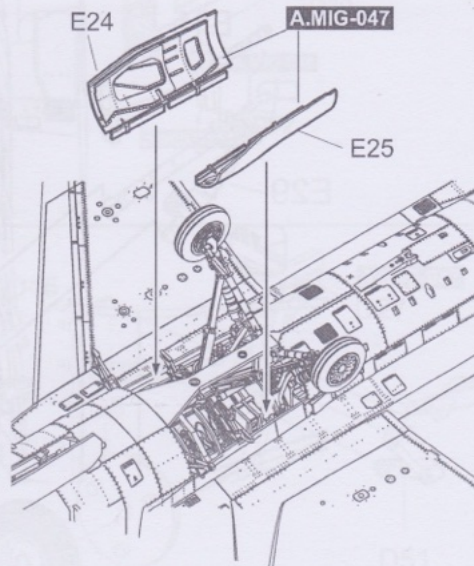
A.MIG-195



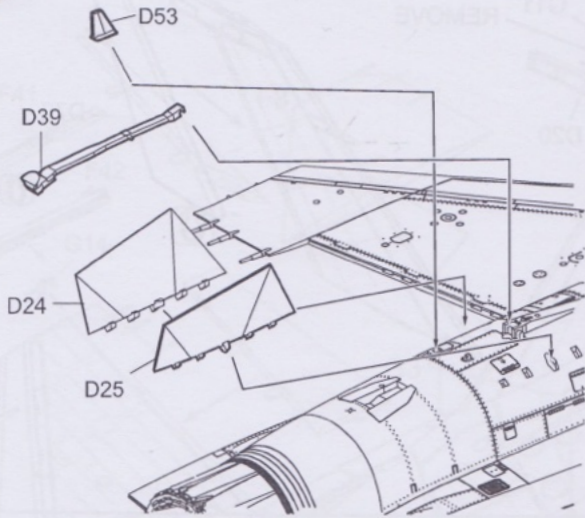
E24

A.MIG-047

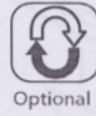
E25



23

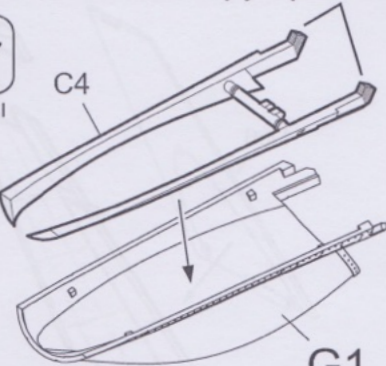


Cut for closed canopy option.



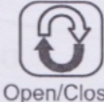
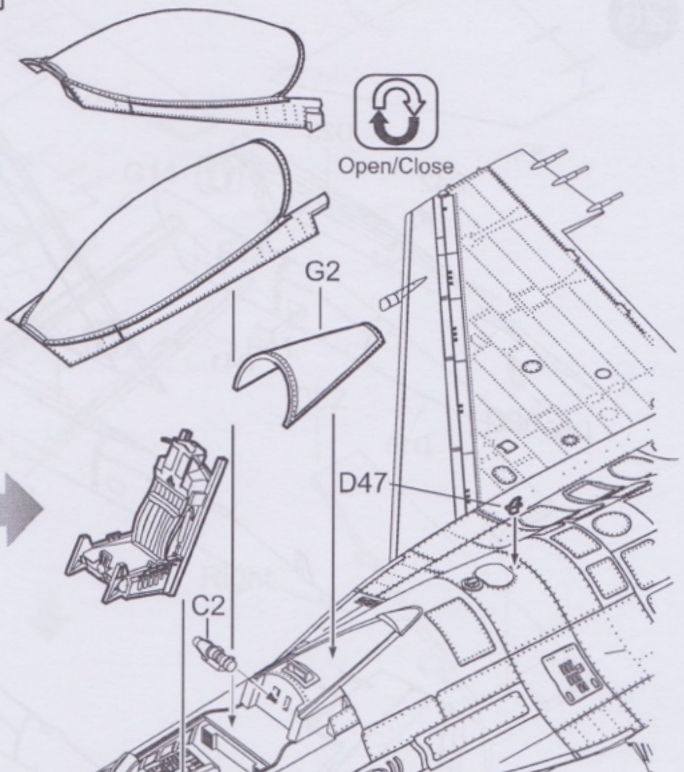
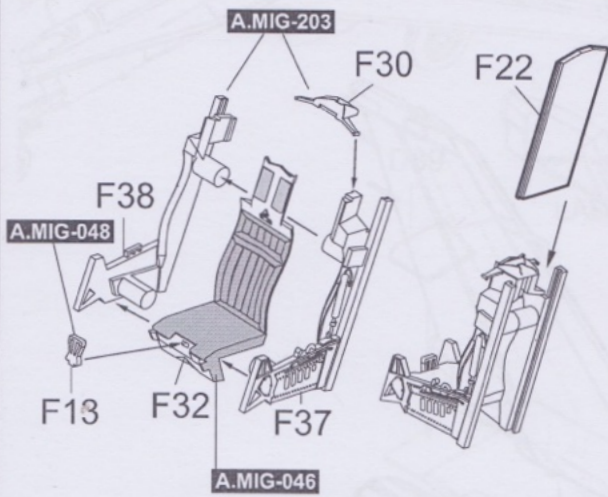
A.MIG-046

C4



G1

24

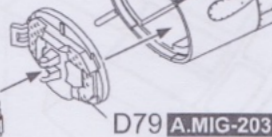


Open/Close

G2

D47

C2



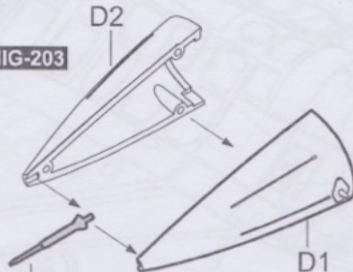
D79 A.MIG-203



Open/Close

D38 A.MIG-011

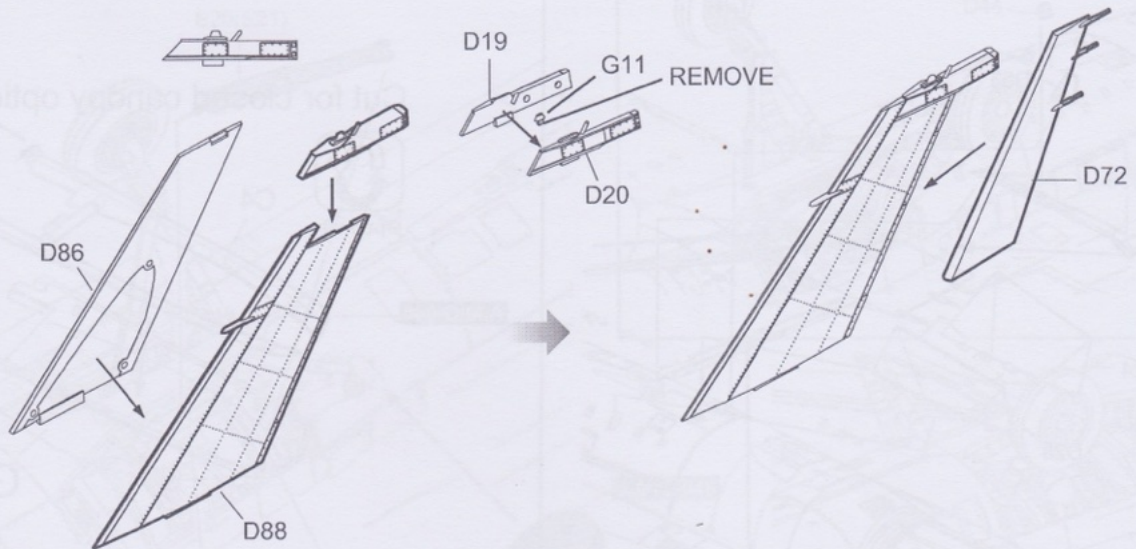
D2



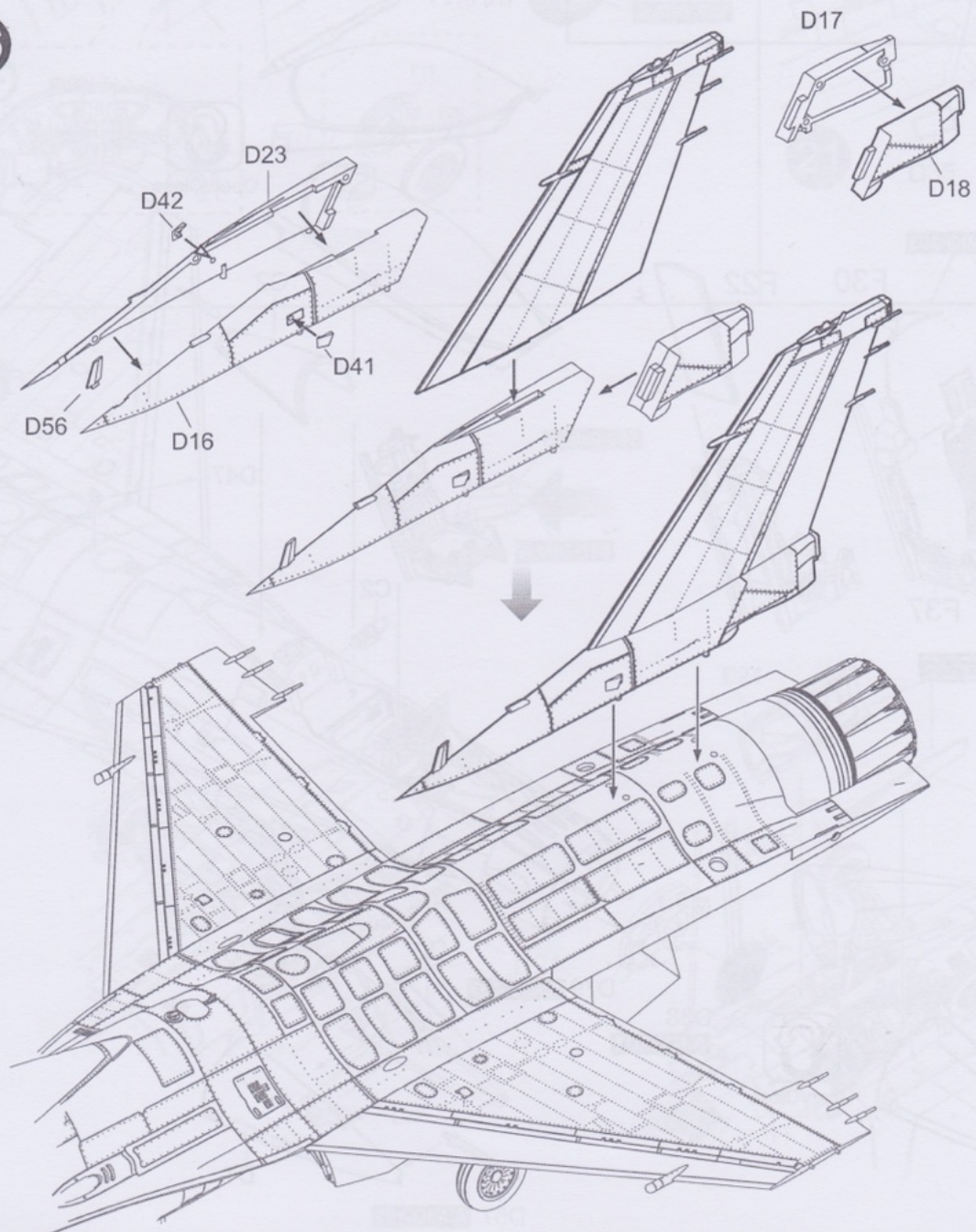
D57 A.MIG-195

D1

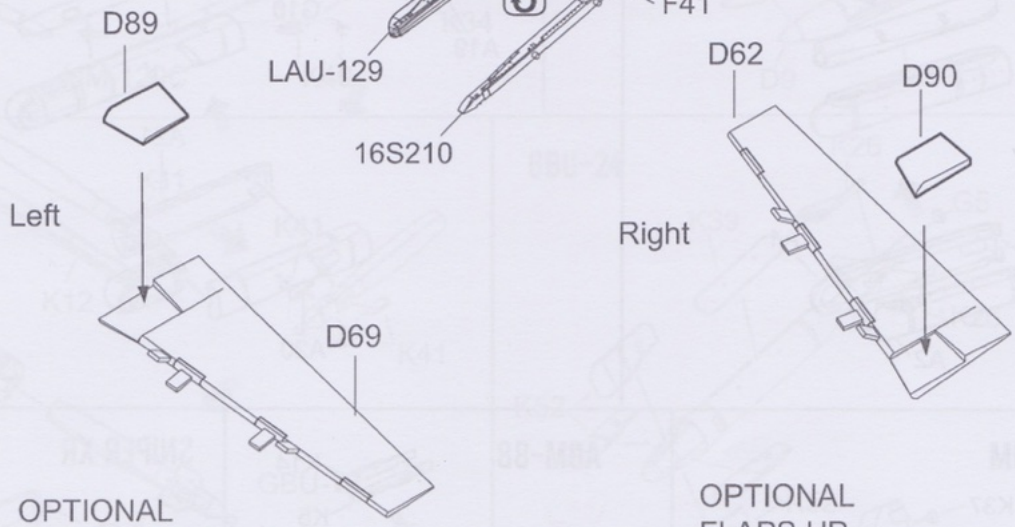
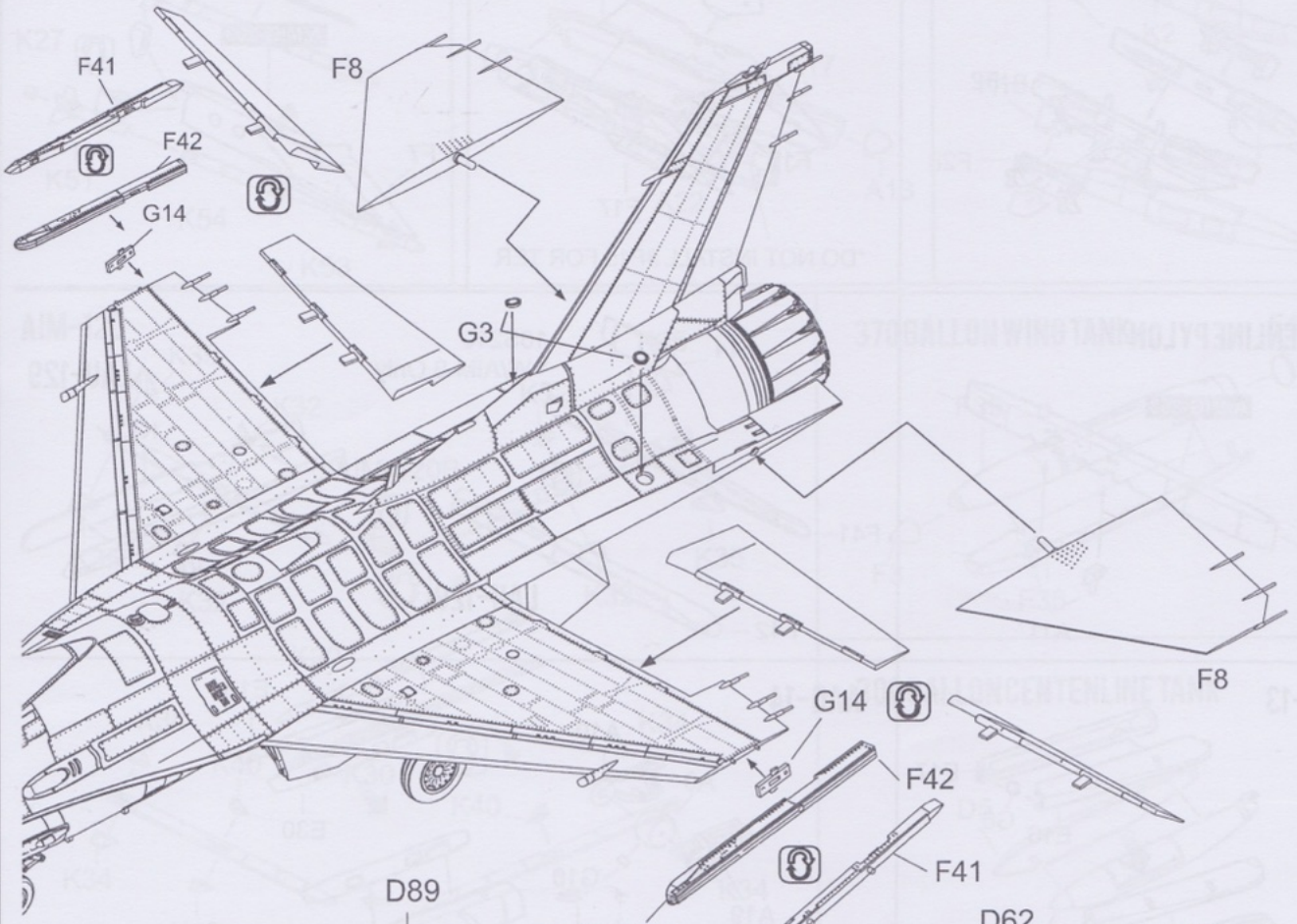
25



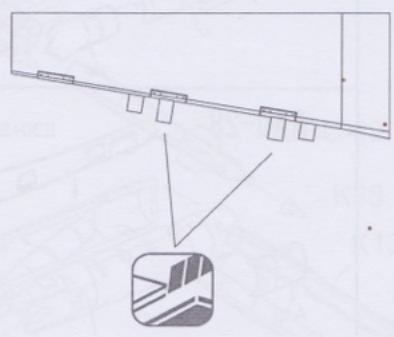
26



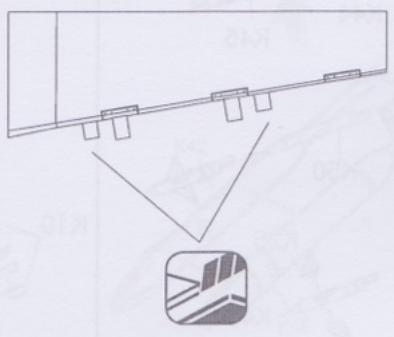
27



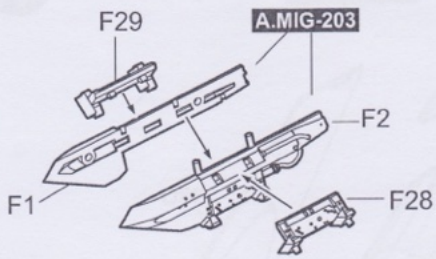
OPTIONAL
FLAPS DOWN



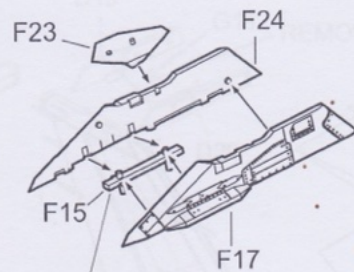
OPTIONAL
FLAPS UP



TER

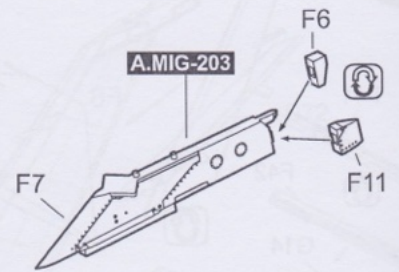


MIDDLEPYLON

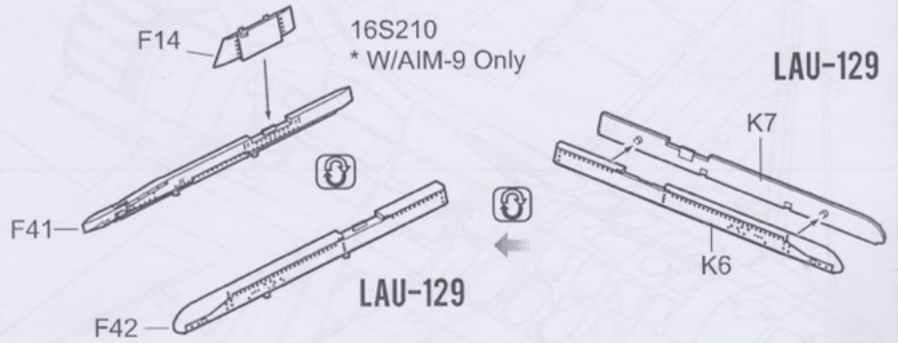
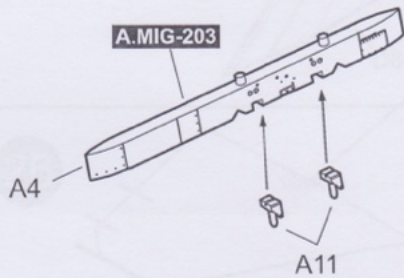


*DO NOT INSTALL #F15 FOR TER

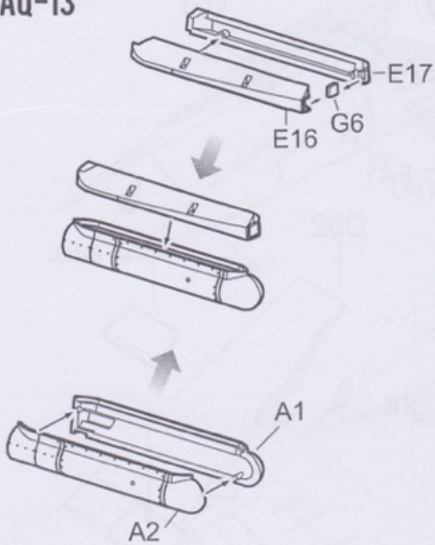
WINGTANK PYLON



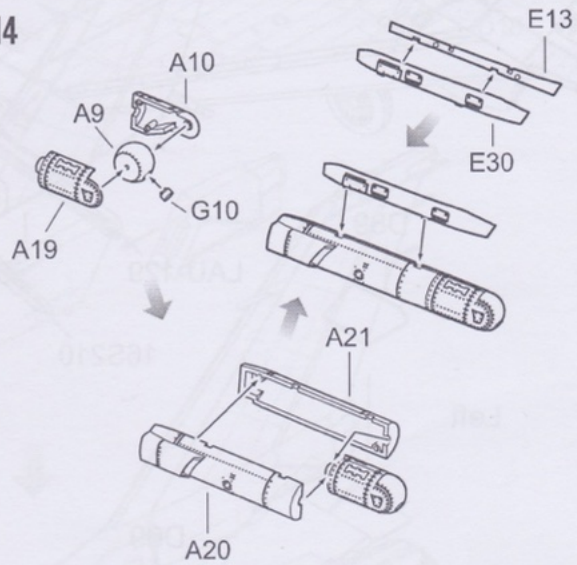
CENTENLINE PYLON



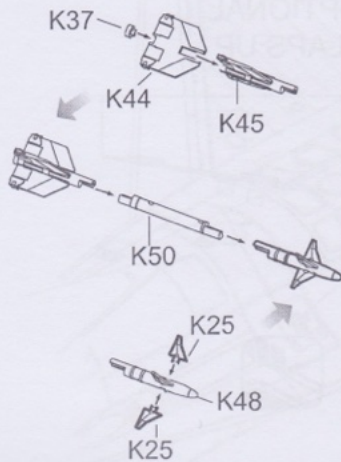
AAQ-13



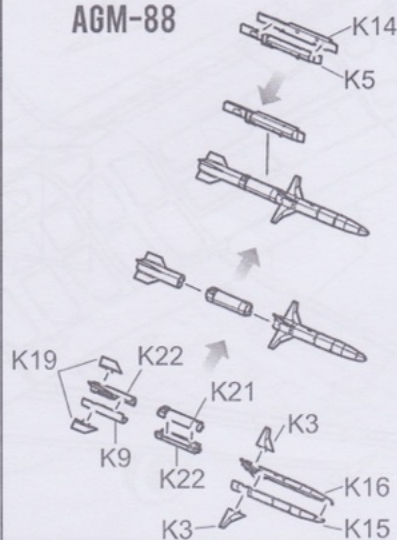
AAQ-14



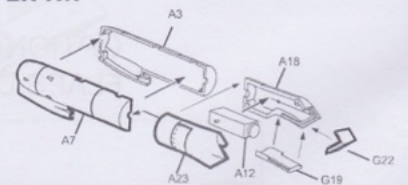
AIM-9M



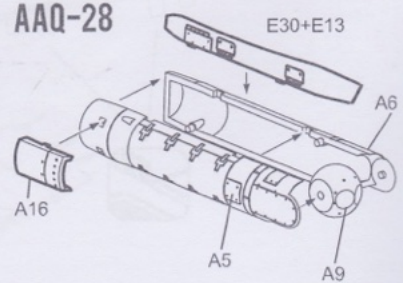
AGM-88



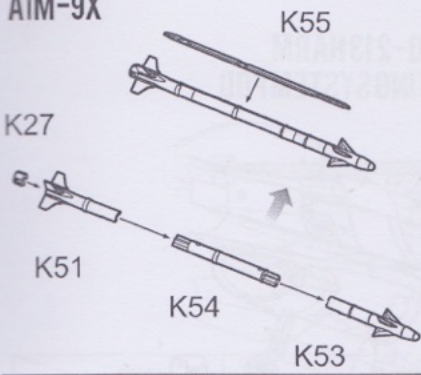
SNIPER XR



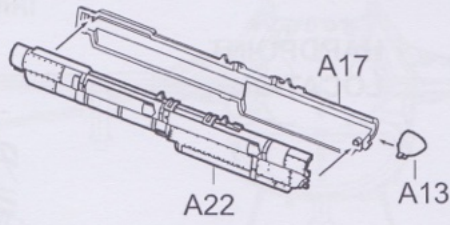
AAQ-28



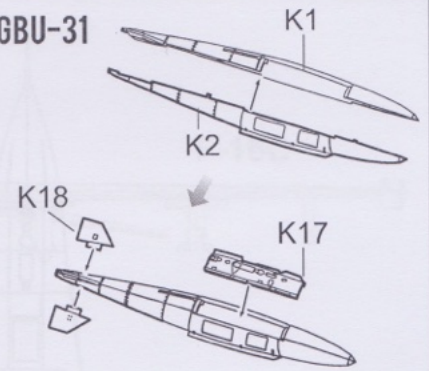
AIM-9X



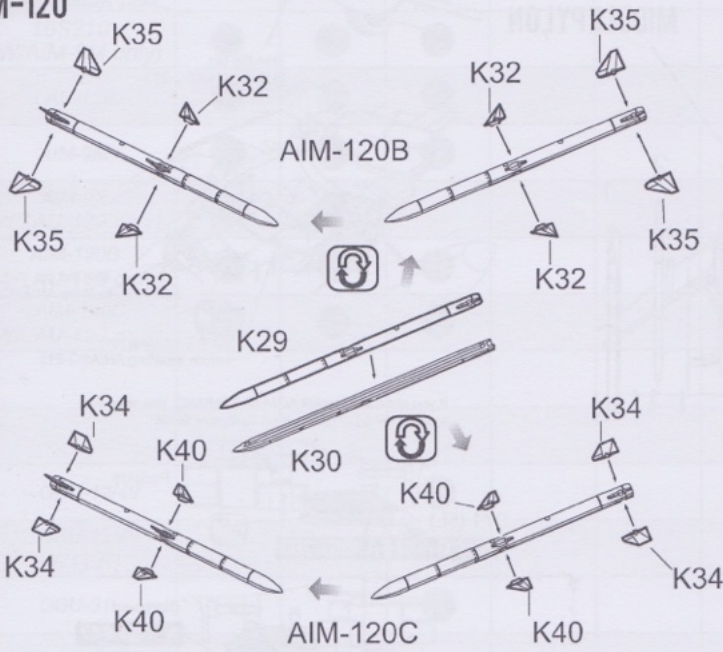
ALQ-184



GBU-31



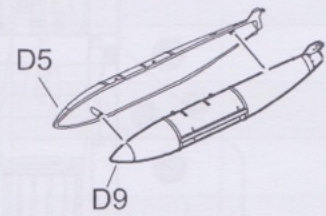
AIM-120



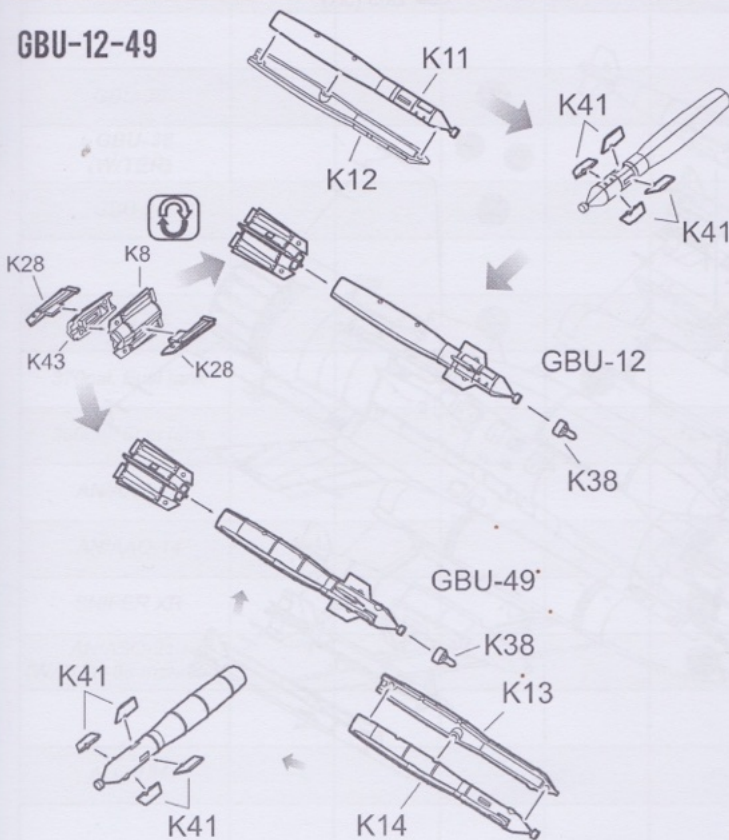
370GALLON WING TANK



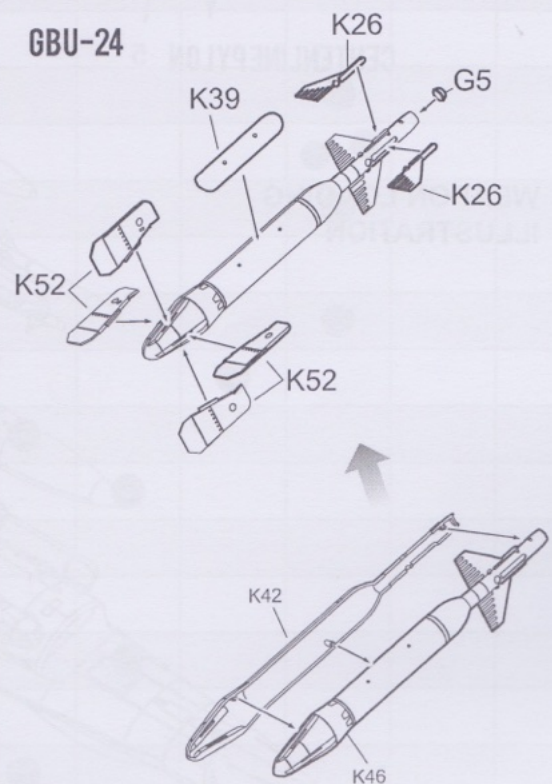
300GALLON CENTERLINE TANK



GBU-12-49



GBU-24

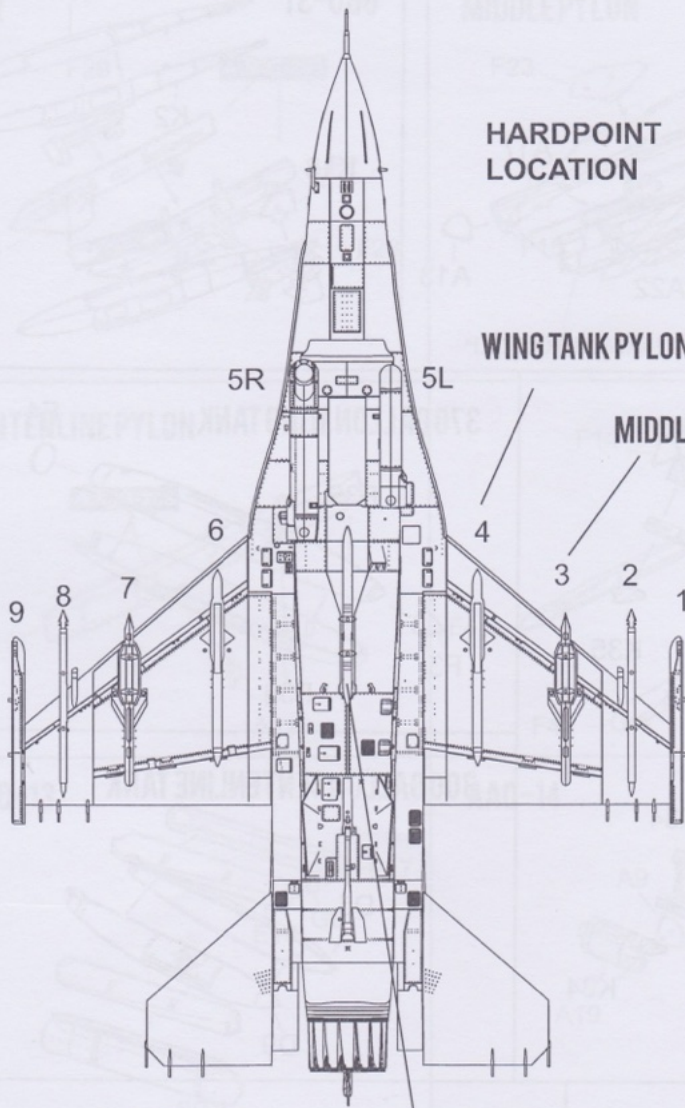


AN/ASQ-213 HARM TARGETING SYSTEM POD

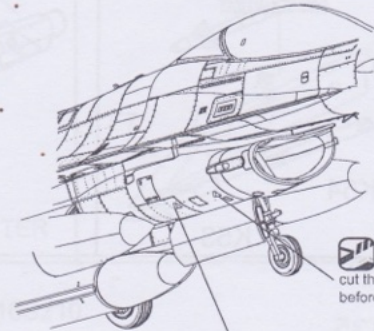
HARDPOINT LOCATION

WING TANK PYLON

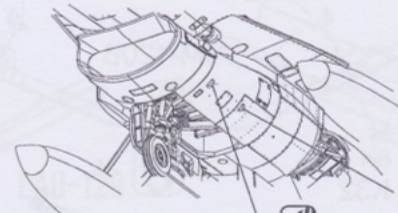
MIDDLE PYLON



CENTRELINE PYLON 5



Trim the pin to fit the AN/ASQ-213

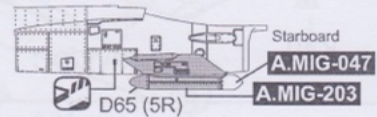


Trim the pin to fit the AN/ASQ-213
cut this locating pin before installing AN/ASQ-213

If you choose to install AGM-88 (HARMS), you need to install AN/AQL-213 either on hardpoint 5R/5L

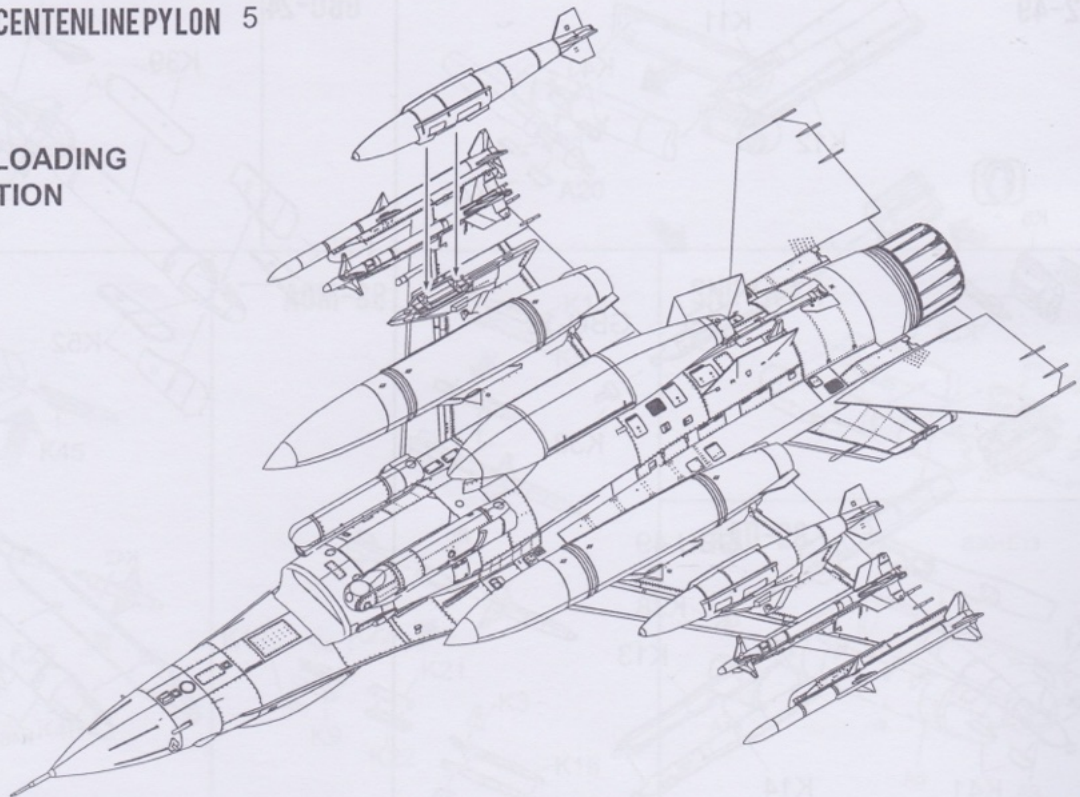


D71 (5L)
A.MIG-047 **A.MIG-203**

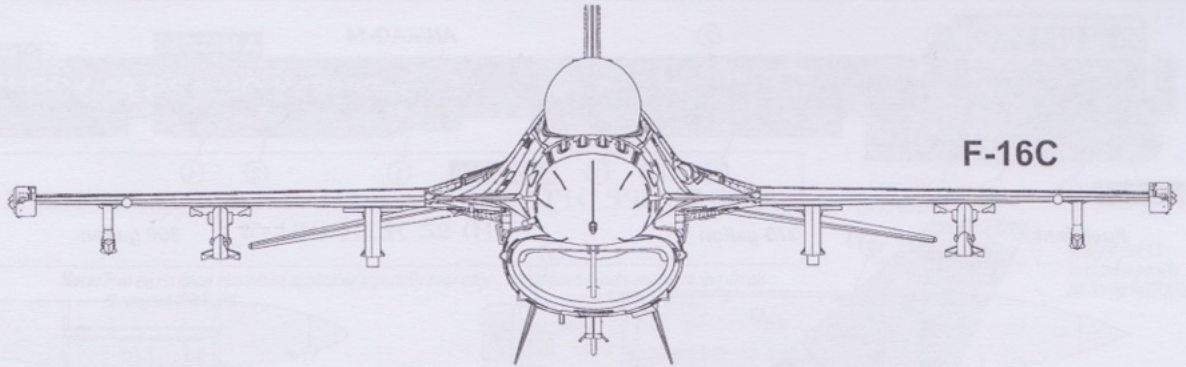


Starboard
D65 (5R)
A.MIG-047 **A.MIG-203**

WEAPON LOADING ILLUSTRATION

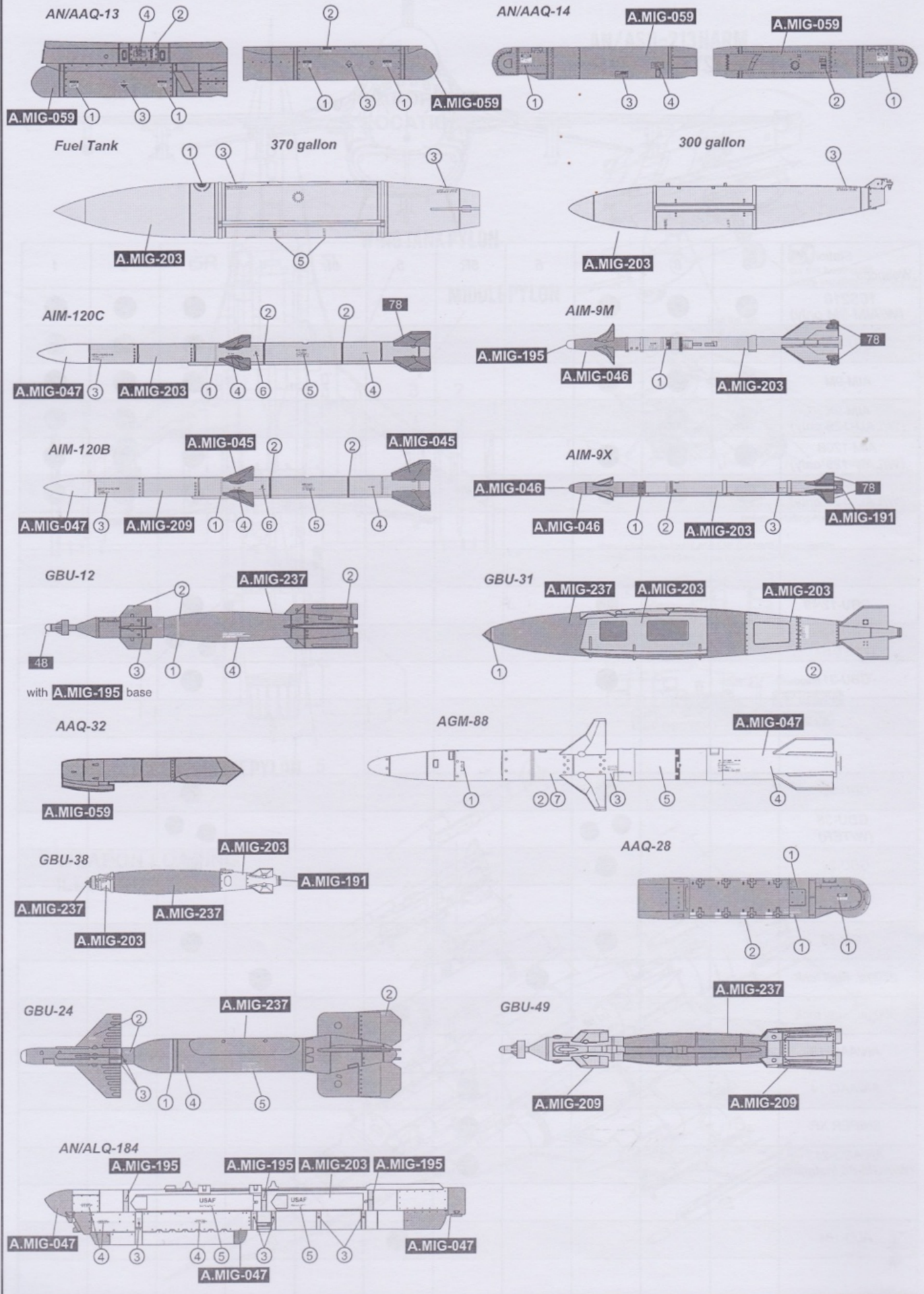


EXTERNAL STORES



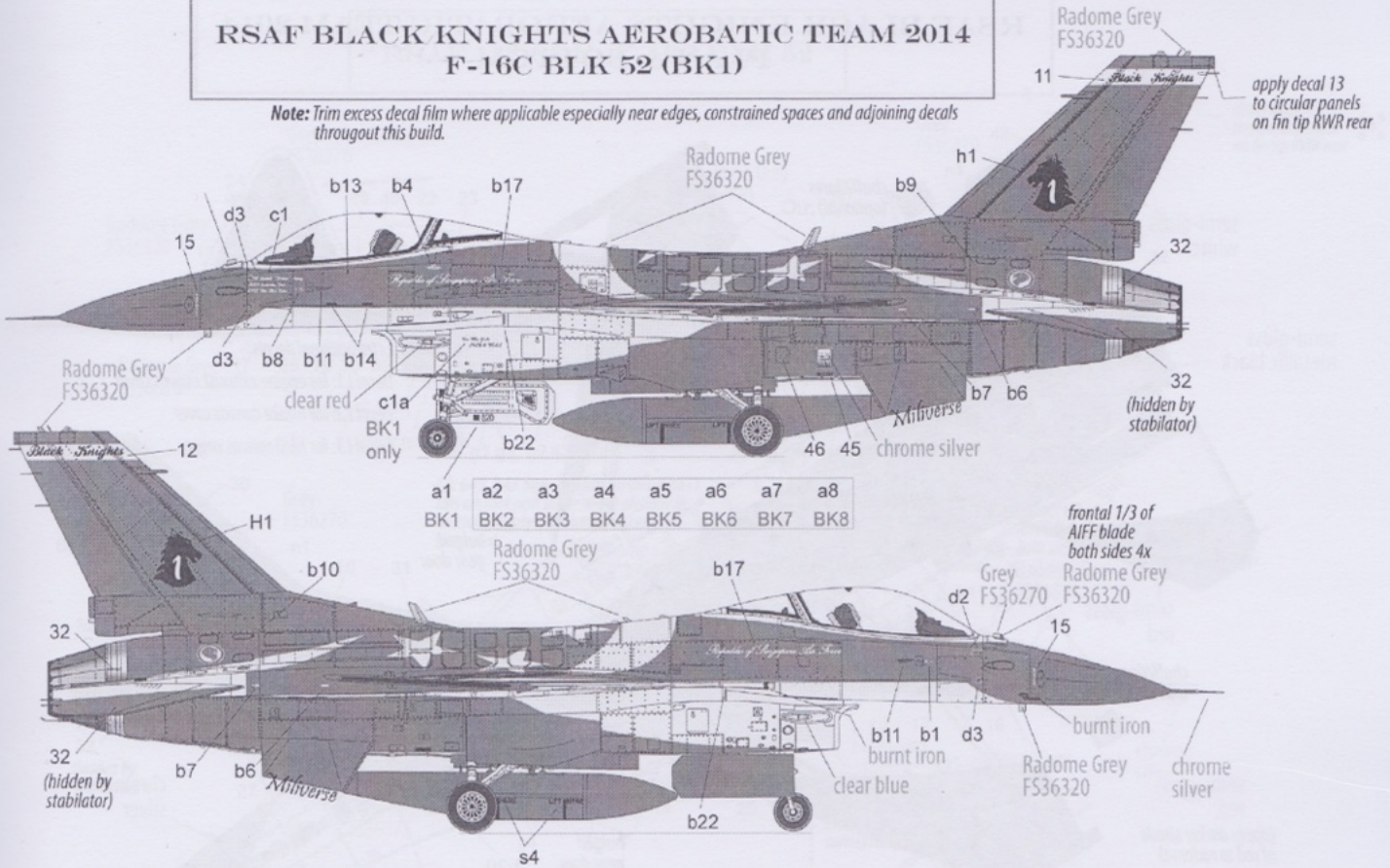
Station No. Weapons	9	8	7	6	5R	5	5L	4	3	2	1
16S210 (W/AIM-9M only)	●	●	●						●	●	●
LAU-129	●	●	●						●	●	●
AIM-9M	●	●	●						●	●	●
AIM-9X (W/LAU-129 only)	●	●								●	●
AIM-120B (W/LAU-129 only)	●	●	●						●	●	●
AIM-120C (W/LAU-129 only)	●	●	●						●	●	●
GBU-12/49			●						●		
GBU-12/49 (W/TER)			● ●						● ●		
GBU-31			●						●		
GBU-38			●						●		
GBU-38 (W/TER)			● ●						● ●		
GBU-24			●						●		
AGM-88			●						●		
370gal. Fuel tank				●				●			
300gal. Fuel tank						●					
AN/AAQ-13							●				
AN/AAQ-14					●						
SNIPER XR					●						
AN/ASQ-213 (W/AGM-88 installed)					●		●				
ALQ-184						●					

Painting & Decal Placement - External Stores (F-16 C/D)

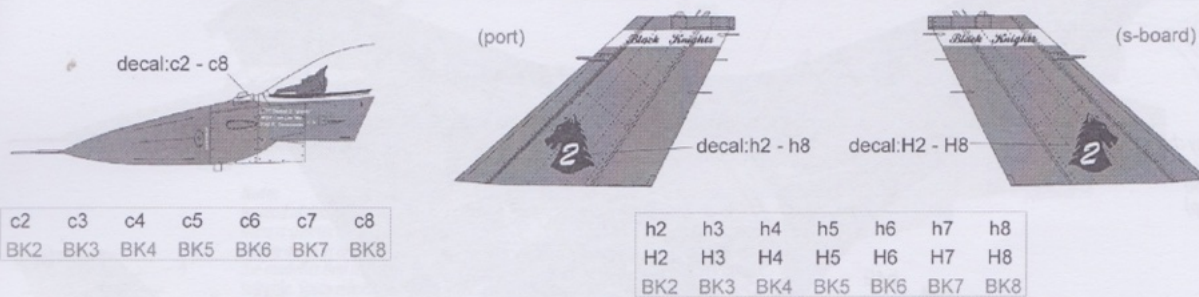


**RSAF BLACK KNIGHTS AEROBATIC TEAM 2014
F-16C BLK 52 (BK1)**

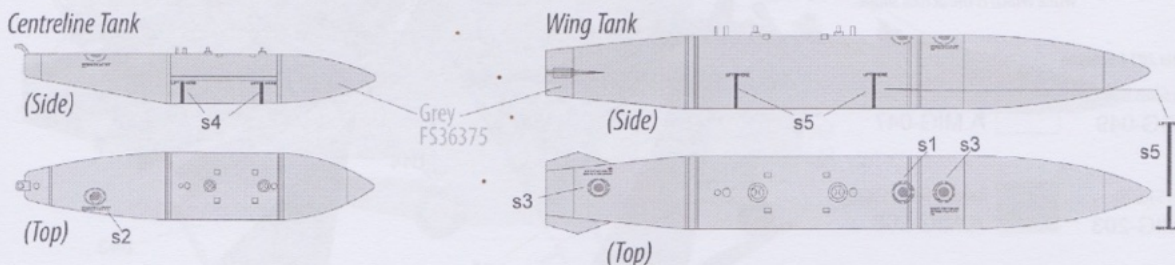
Note: Trim excess decal film where applicable especially near edges, constrained spaces and adjoining decals throughout this build.



**RSAF BLACK KNIGHTS AEROBATIC TEAM 2014
(BK2-BK8)**



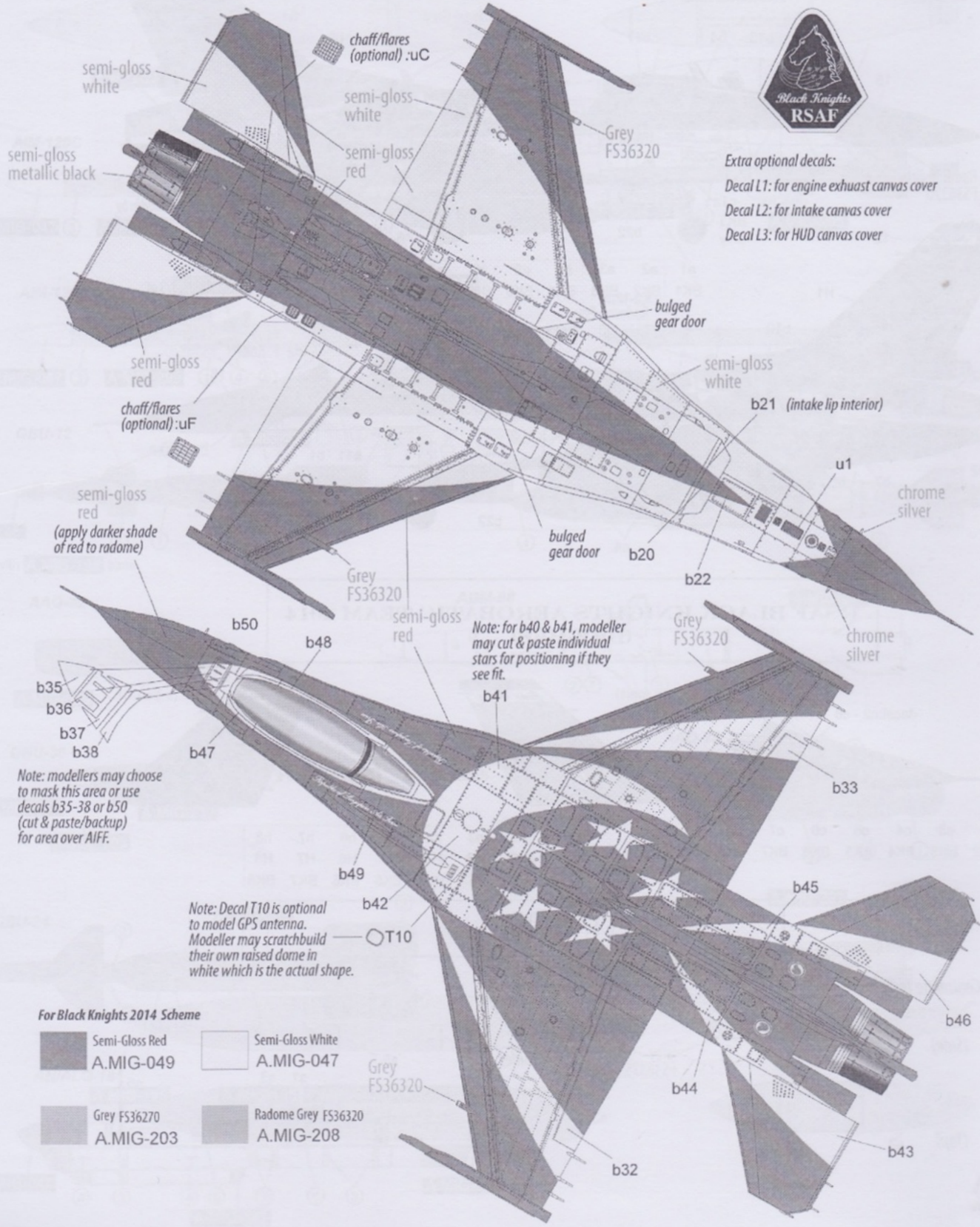
FUEL TANKS





1/48 F-16C BLOCK 52 RSA NO.K48133

**RSAF BLACK KNIGHTS AEROBATIC TEAM 2014
PLAN & BOTTOM**



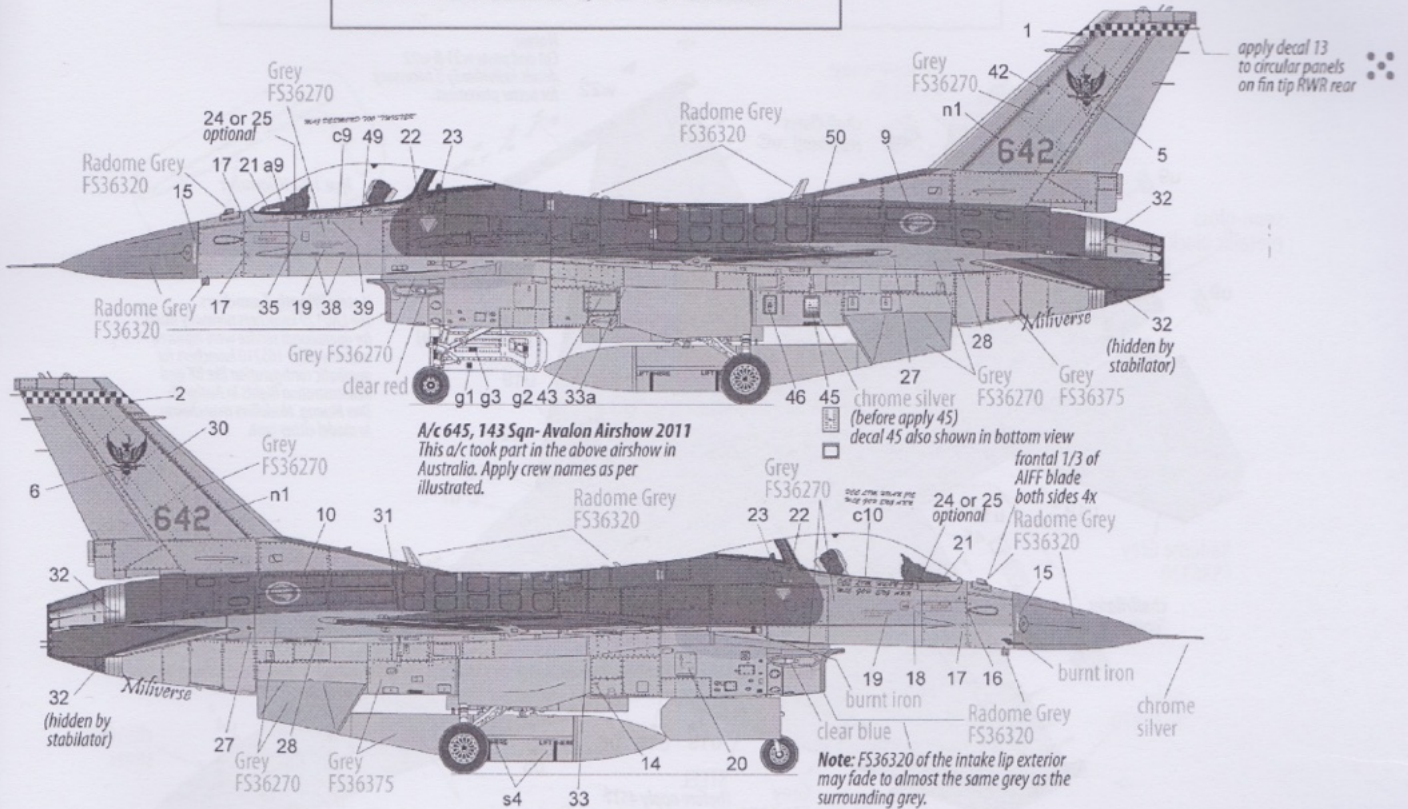
Extra optional decals:
Decal L1: for engine exhaust canvas cover
Decal L2: for intake canvas cover
Decal L3: for HUD canvas cover

Note: modellers may choose to mask this area or use decals b35-38 or b50 (cut & paste/backup) for area over AIFF.

Note: Decal T10 is optional to model GPS antenna. Modeller may scratchbuild their own raised dome in white which is the actual shape.

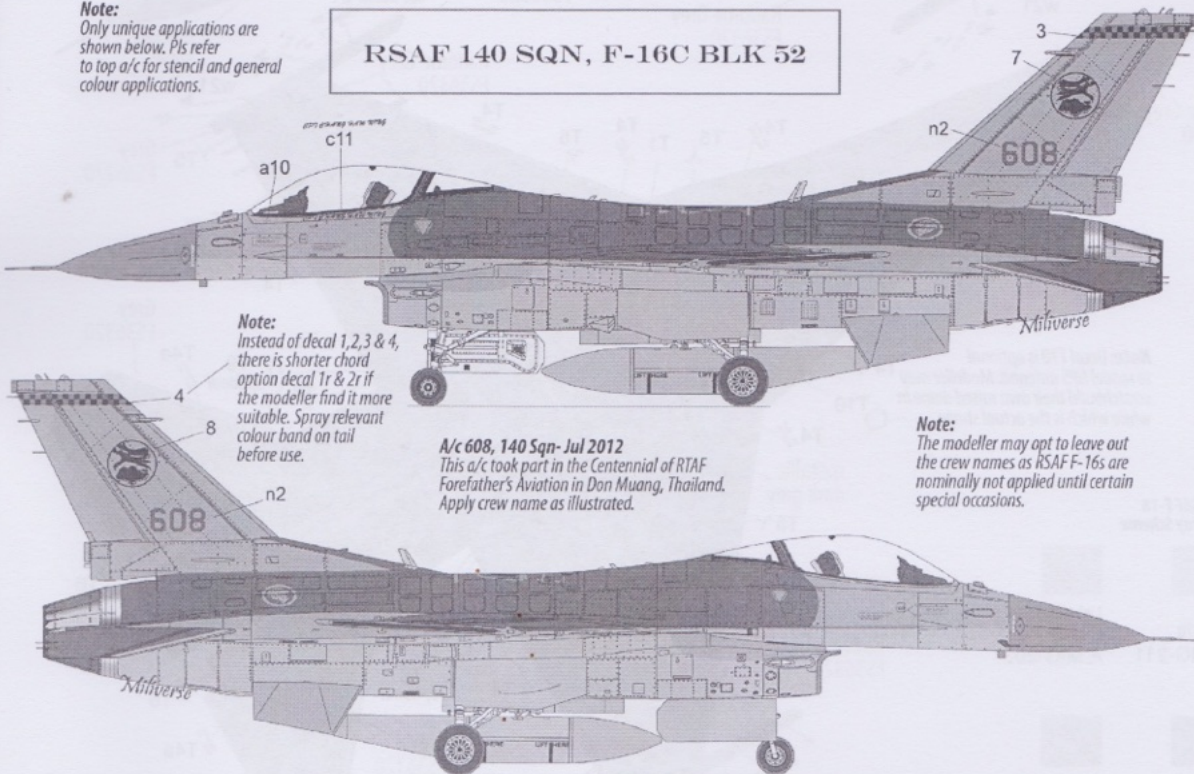
- For Black Knights 2014 Scheme**
- Semi-Gloss Red A.MIG-049
 - Semi-Gloss White A.MIG-047
 - Grey FS36270 A.MIG-203
 - Radome Grey FS36320 A.MIG-208

RSAF 143 SQN, F-16C BLK 52



Note:
Only unique applications are shown below. Pls refer to top a/c for stencil and general colour applications.

RSAF 140 SQN, F-16C BLK 52



STANDARD MARKINGS-PLAN & BOTTOM
RSAF F-16C BLK 52

