

TIGER I INITIAL PRODUCTION



Pz.Kpfw.VI Ausf.E

s.Pz.Abt.502 LENINGRAD REGION 1942/3 Winter

w/ 2 Figures

3 IN 1



JASON 2021

JASON

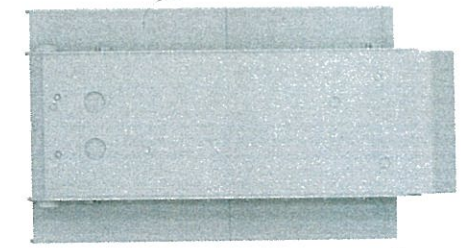
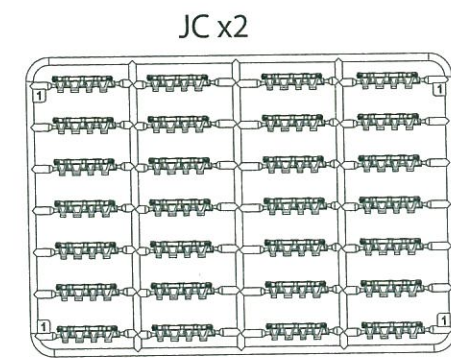
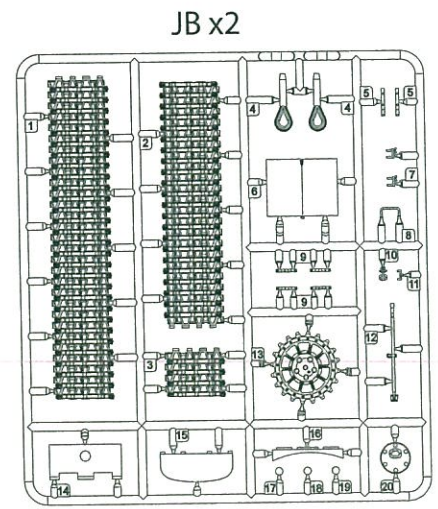
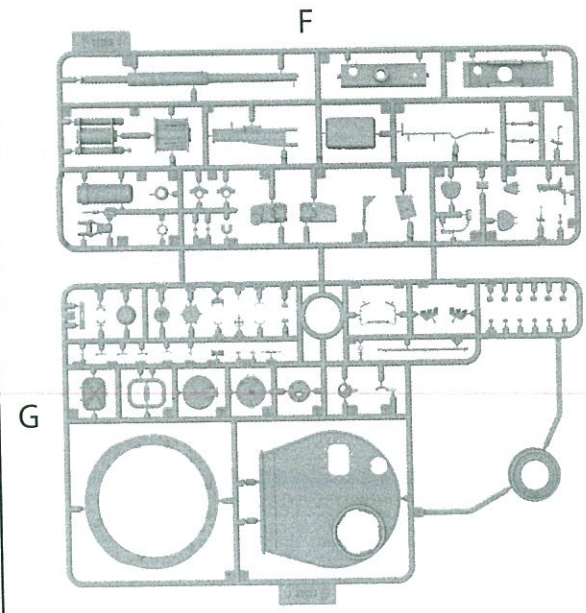
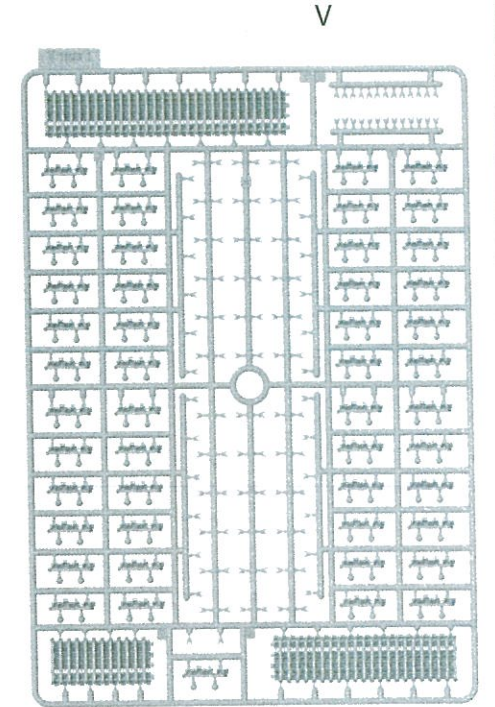
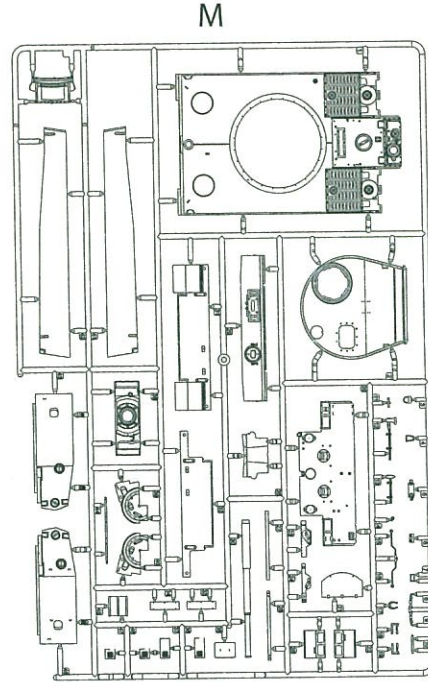
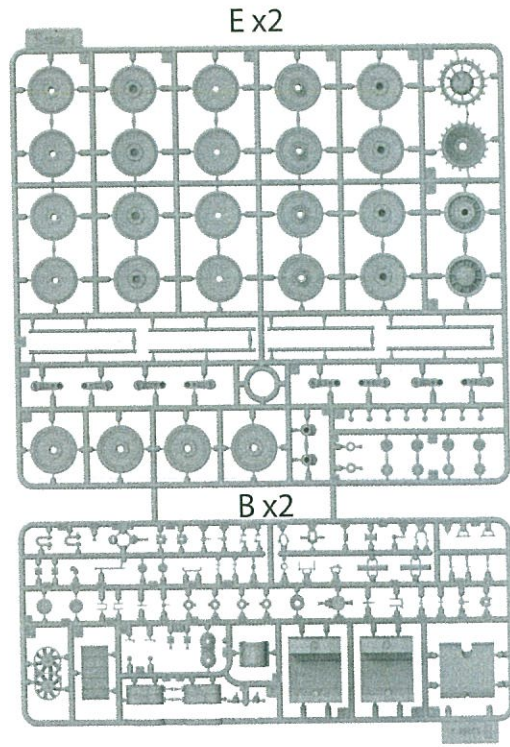
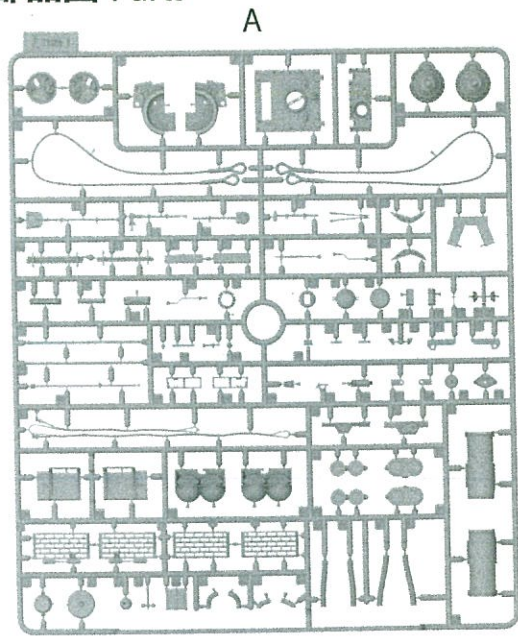
Figures designed & sculpted by JASON STUDIO

1/35
SCALE
BT-014

- ◆ PE PARTS INCLUDED.
- ◆ METAL GUN-BARREL INCLUDED.
- ◆ INCLUDES PE PARTS AND EXTENSIVE MARKINGS.
- ◆ INCLUDES 2 SPECIAL STYLES OF STORAGE BOXES.
- ◆ TWO STYLES OF TRACKS ARE INCLUDED, INCLUDING MIRROR TRACKS. ◆ INCLUDES A COMMANDER AND SOLDIER FIGURE.
- ◆ CLEAR PARTS INCLUDED. ◆ CAN MAKE NO.100 NO.3 NO.123 THREE KINDS OF STYLES.

◆ READY TO ASSEMBLE PRECISION MODEL KIT ◆ MODELING SKILLS HELPFUL IF UNDER 14 YEARS OF AGE ◆ MODEL MAY VARY FROM IMAGE ON BOX ◆ CEMENT AND PAINT NOT INCLUDED

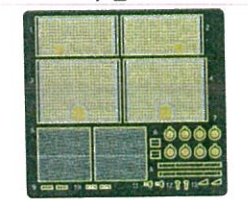
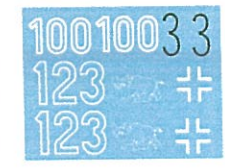
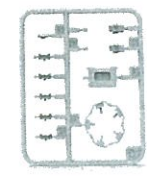
部品图 Parts

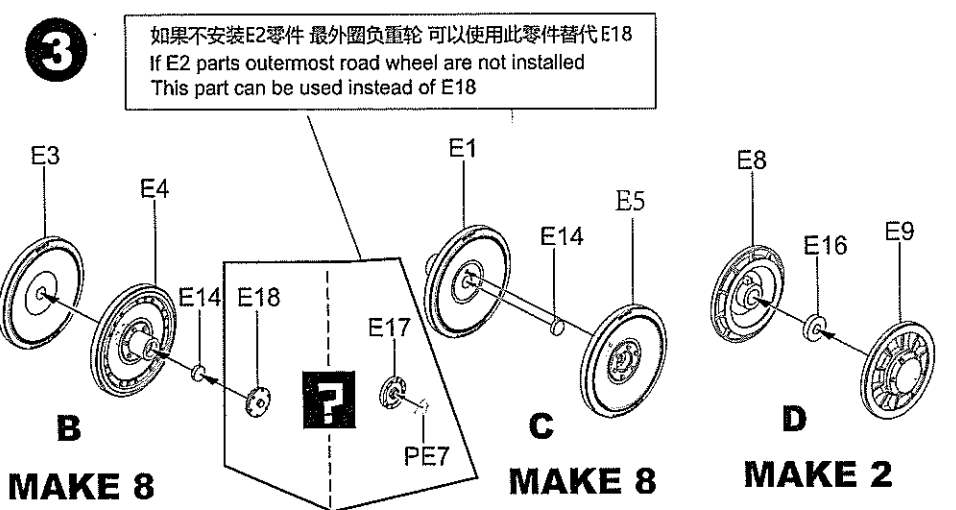
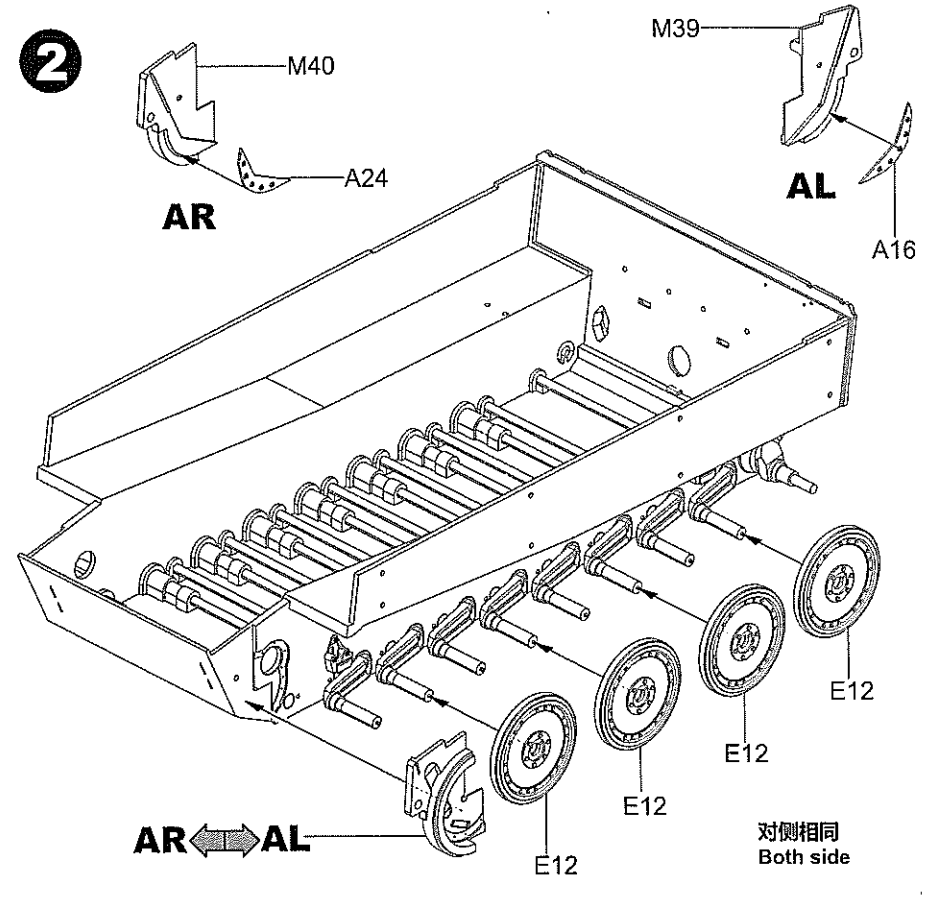
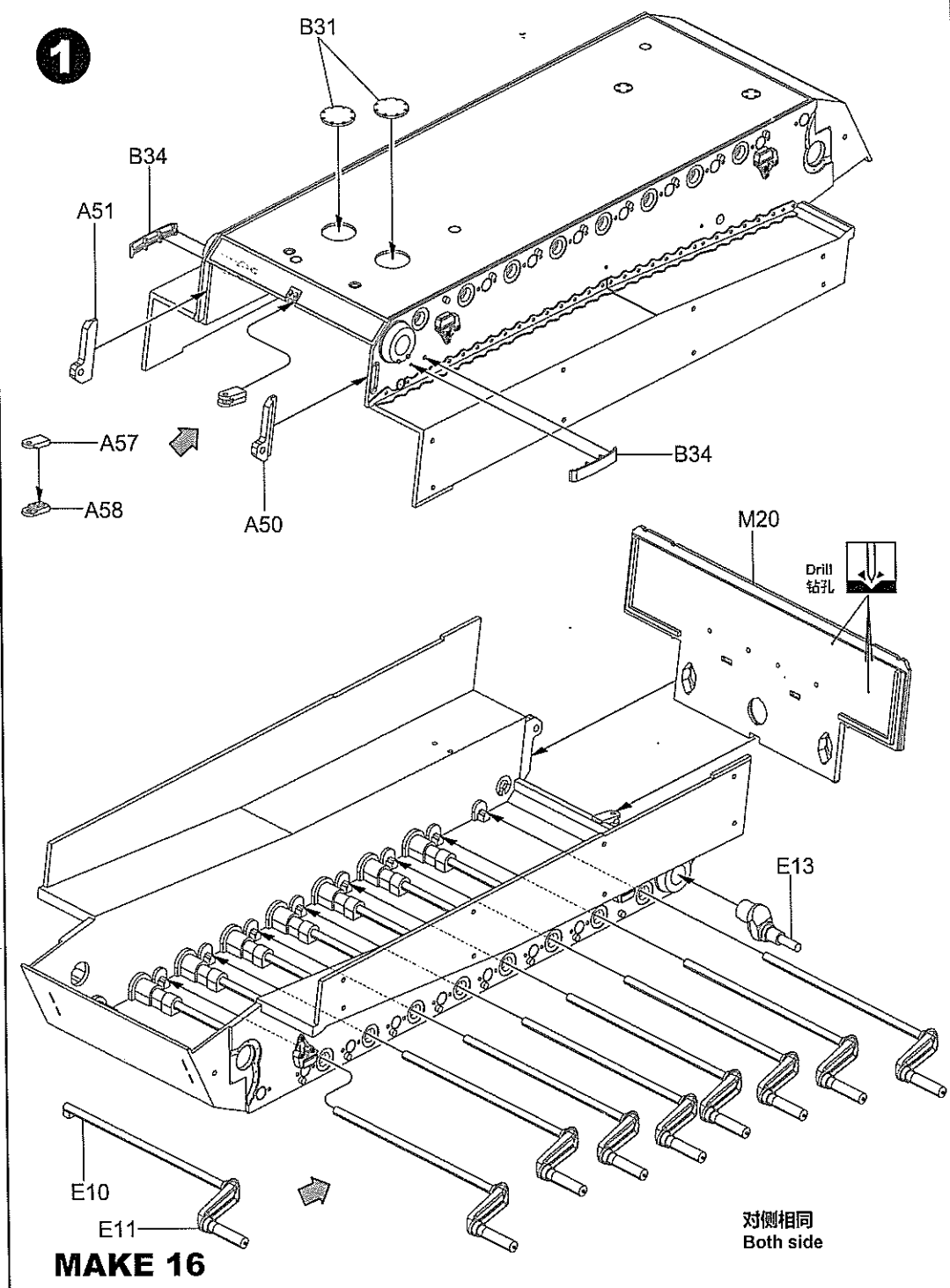


DECAL

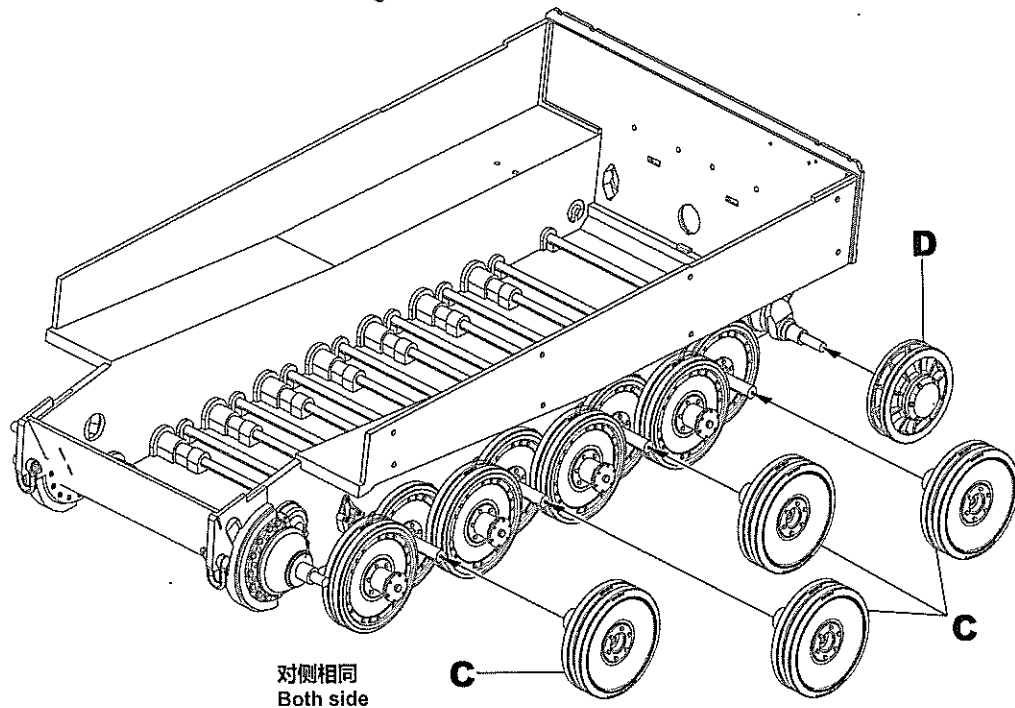
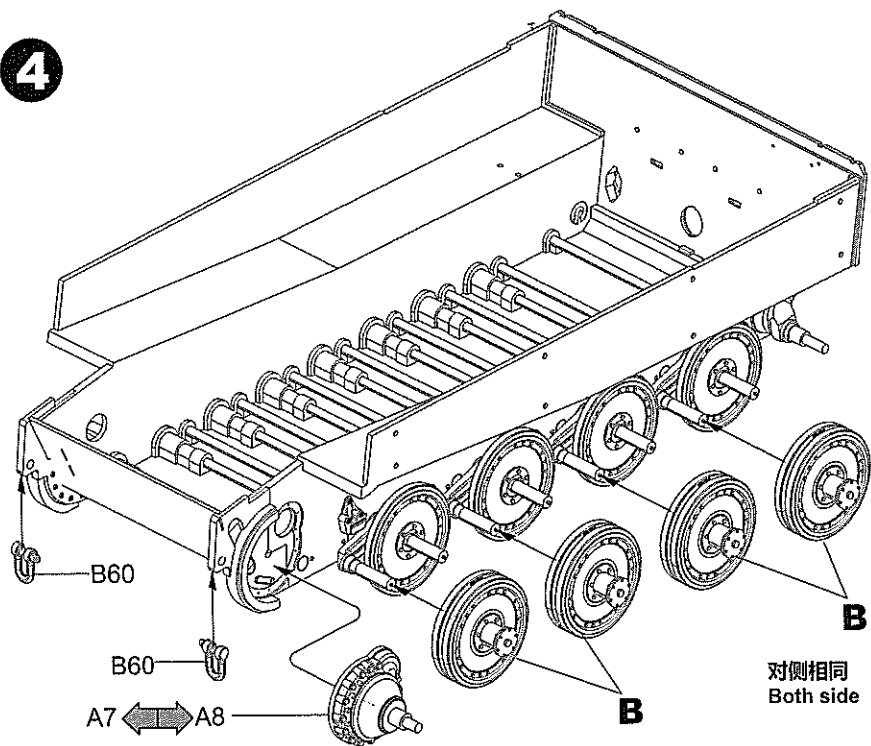
PE

G
(transparent parts)

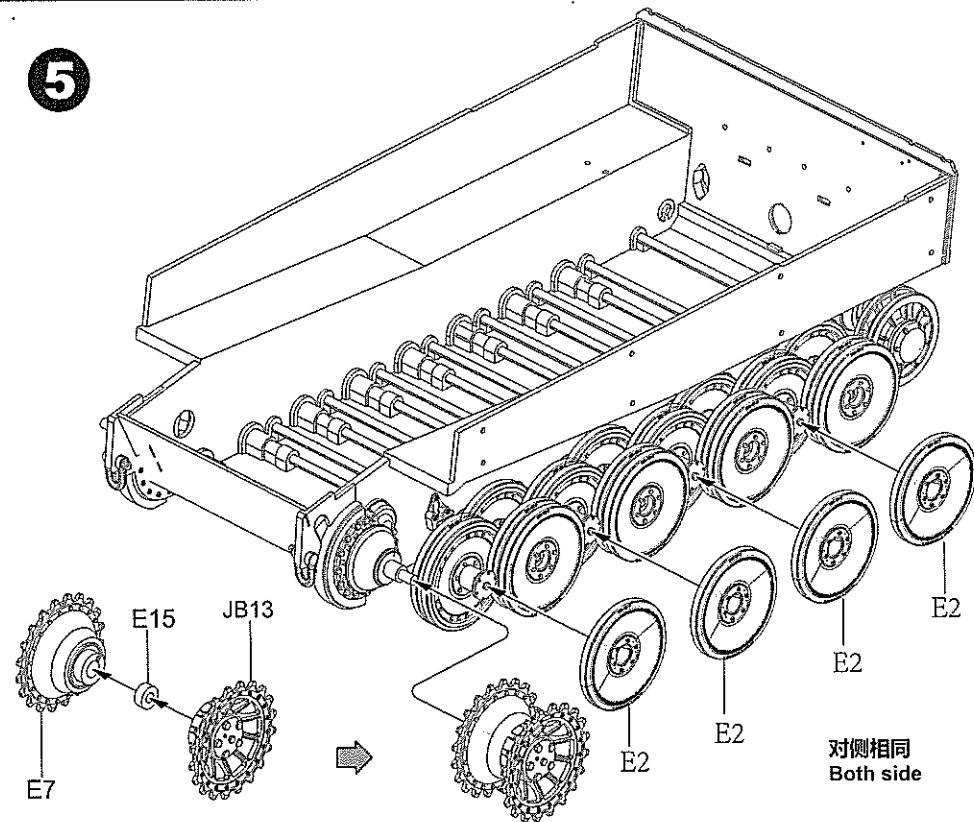




4

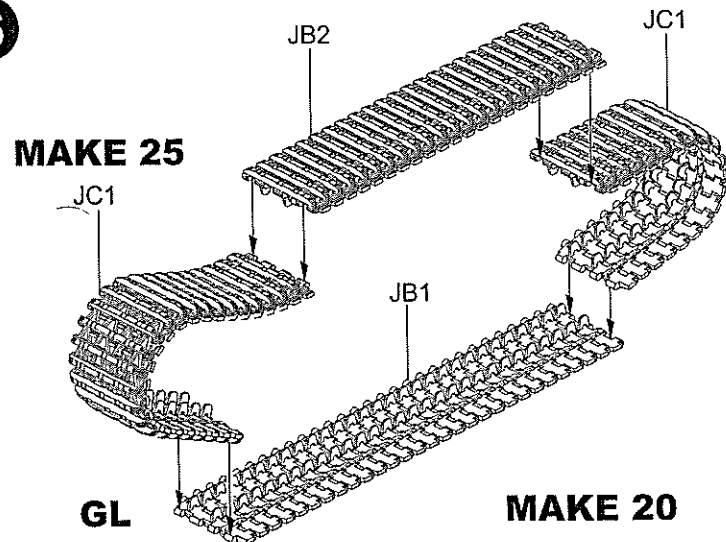


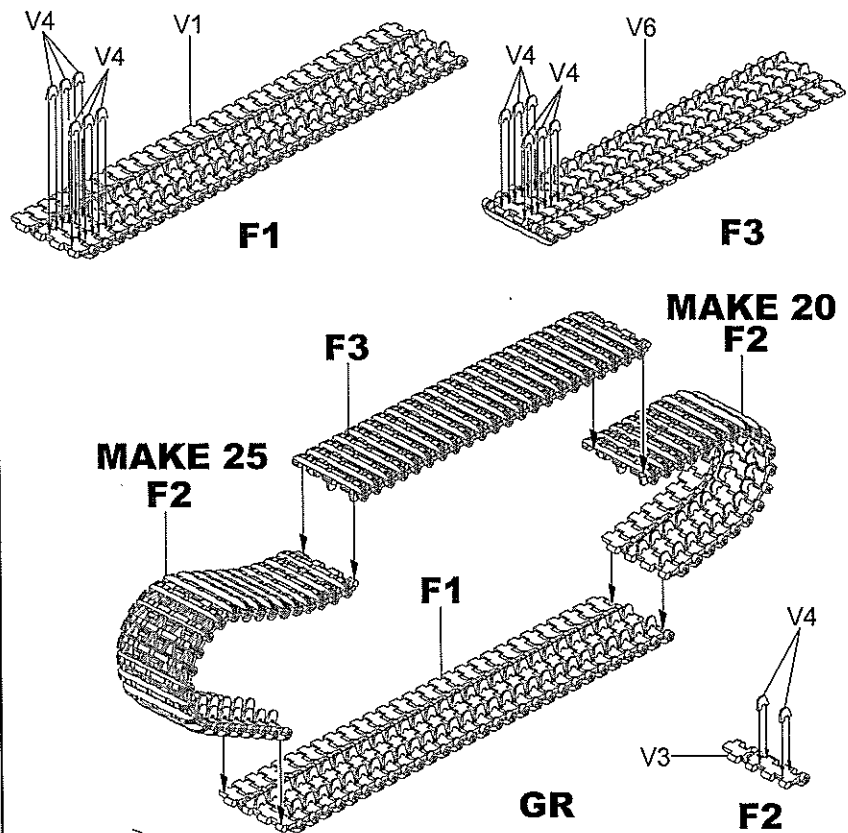
5



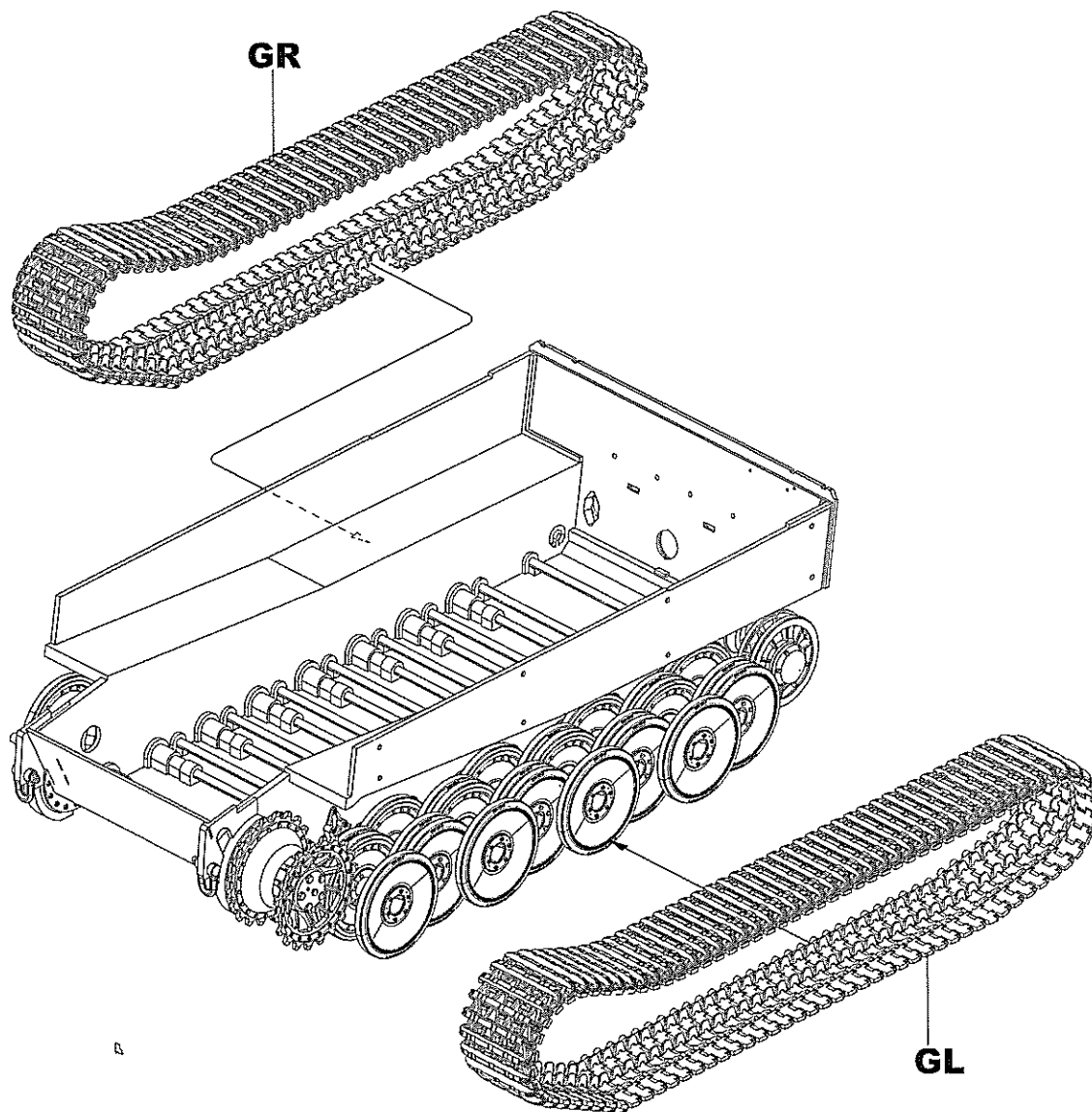
MAKE 2

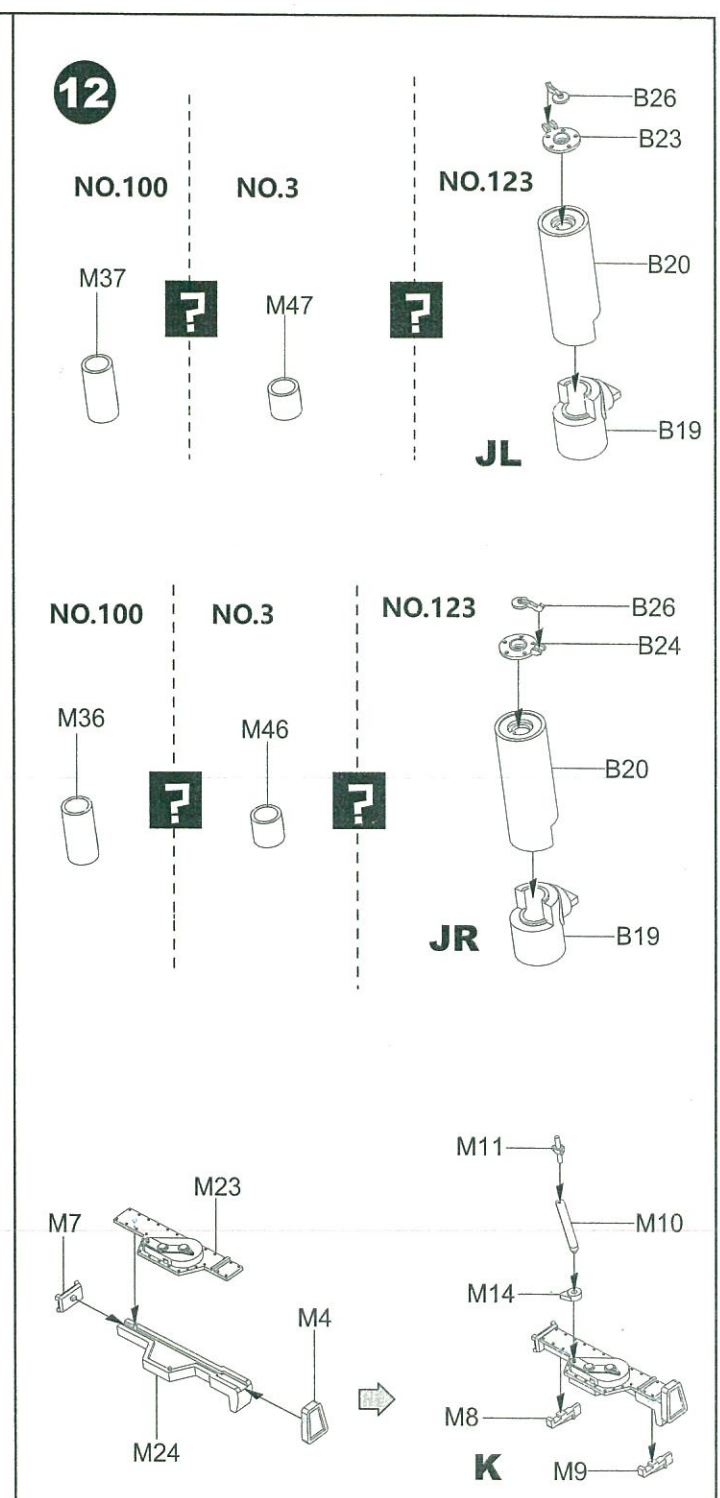
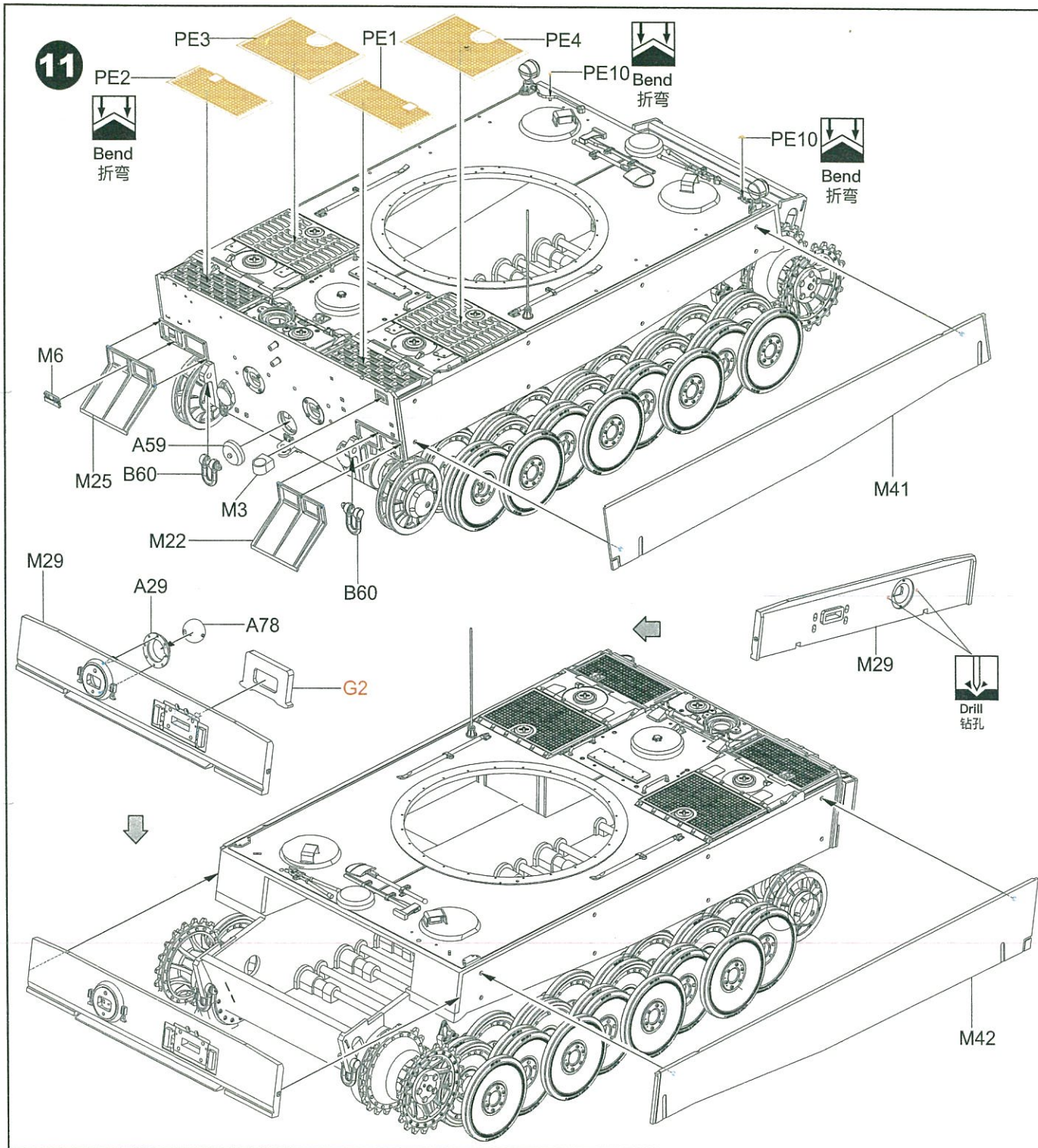
6





8





15

M30

NO.100 专用

A76



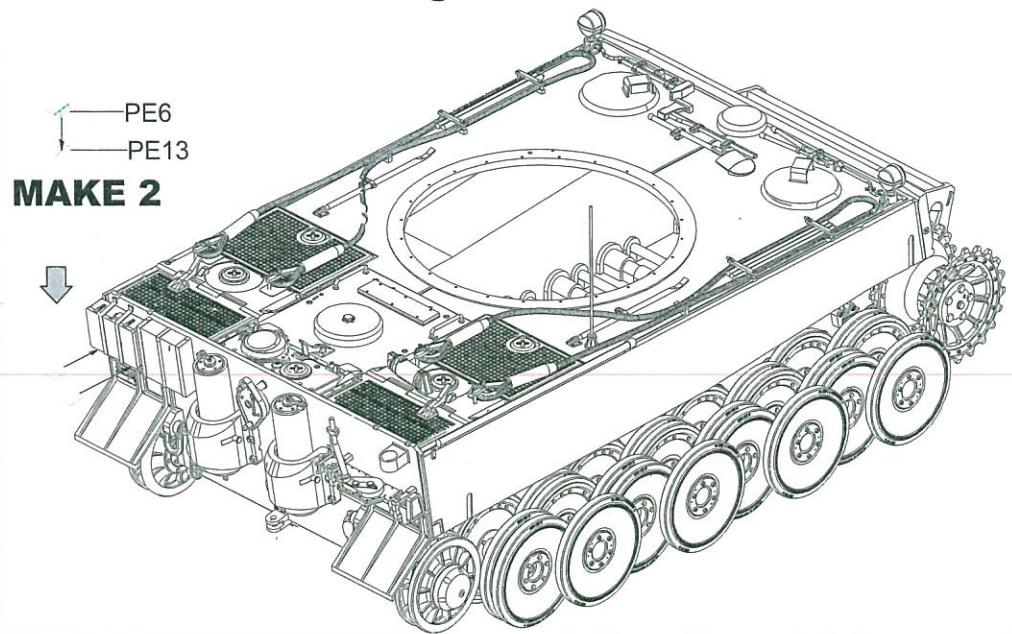
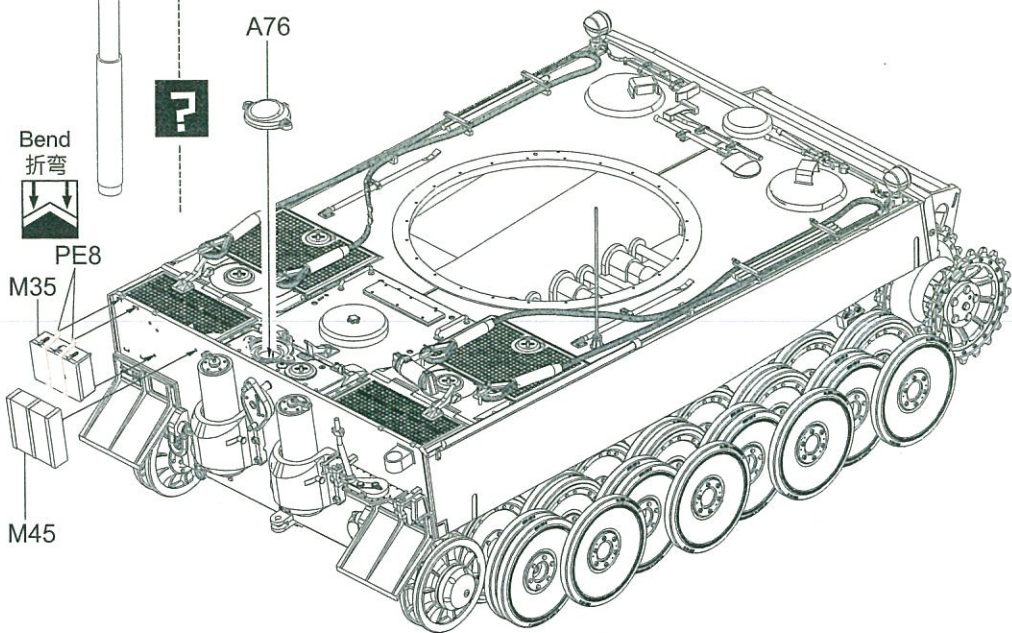
PE8

M35

M45

PE6
PE13

MAKE 2



16

Bend
折弯

PE5



Bend
折弯

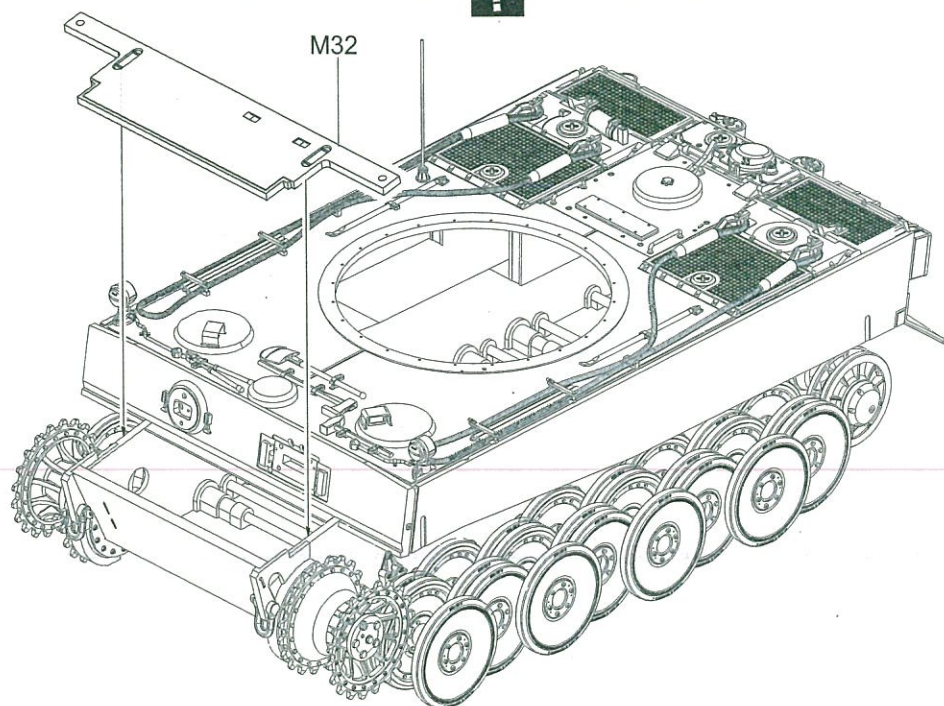
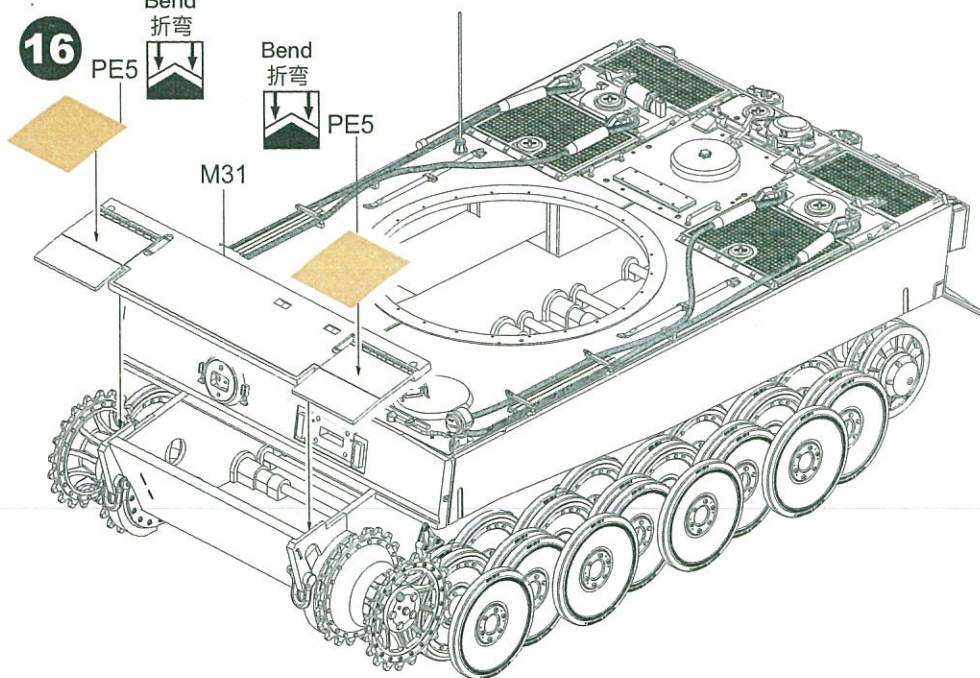
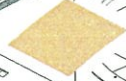
PE5



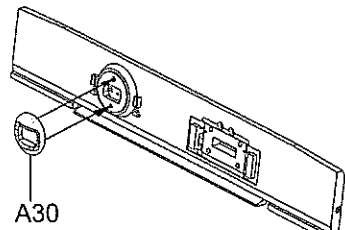
M31



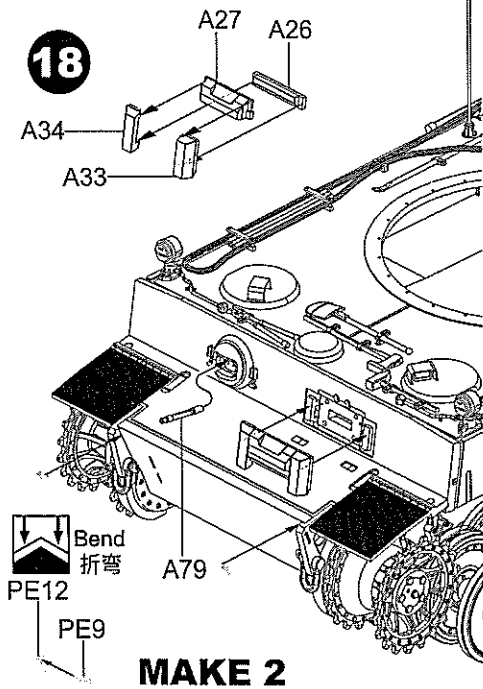
M32



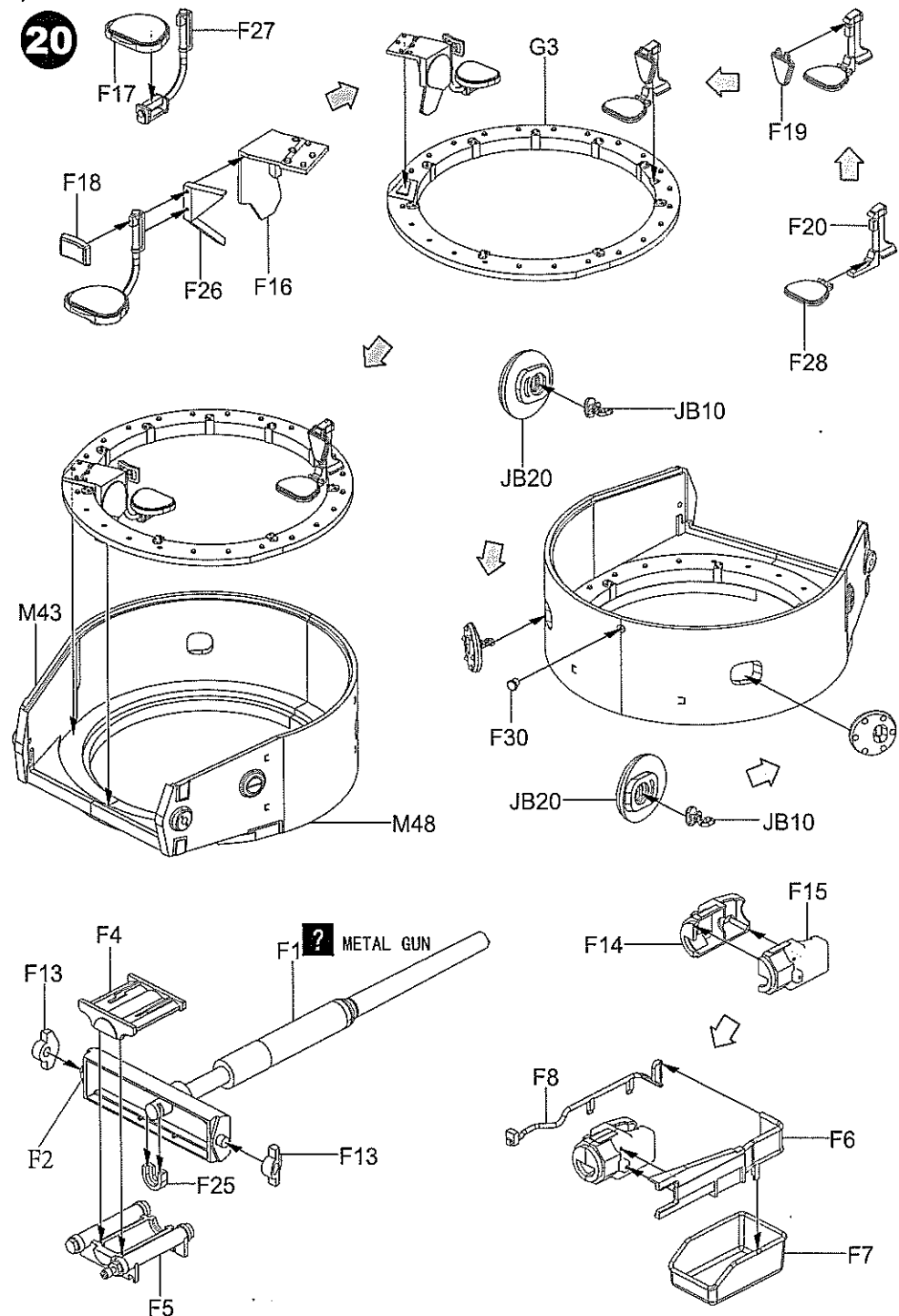
17



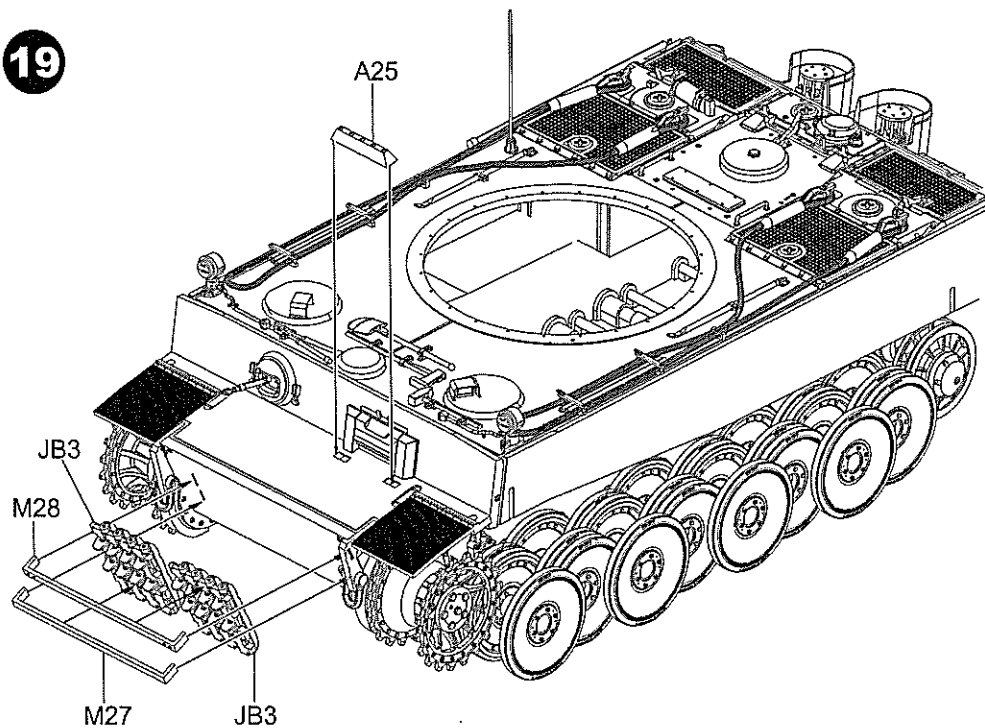
18



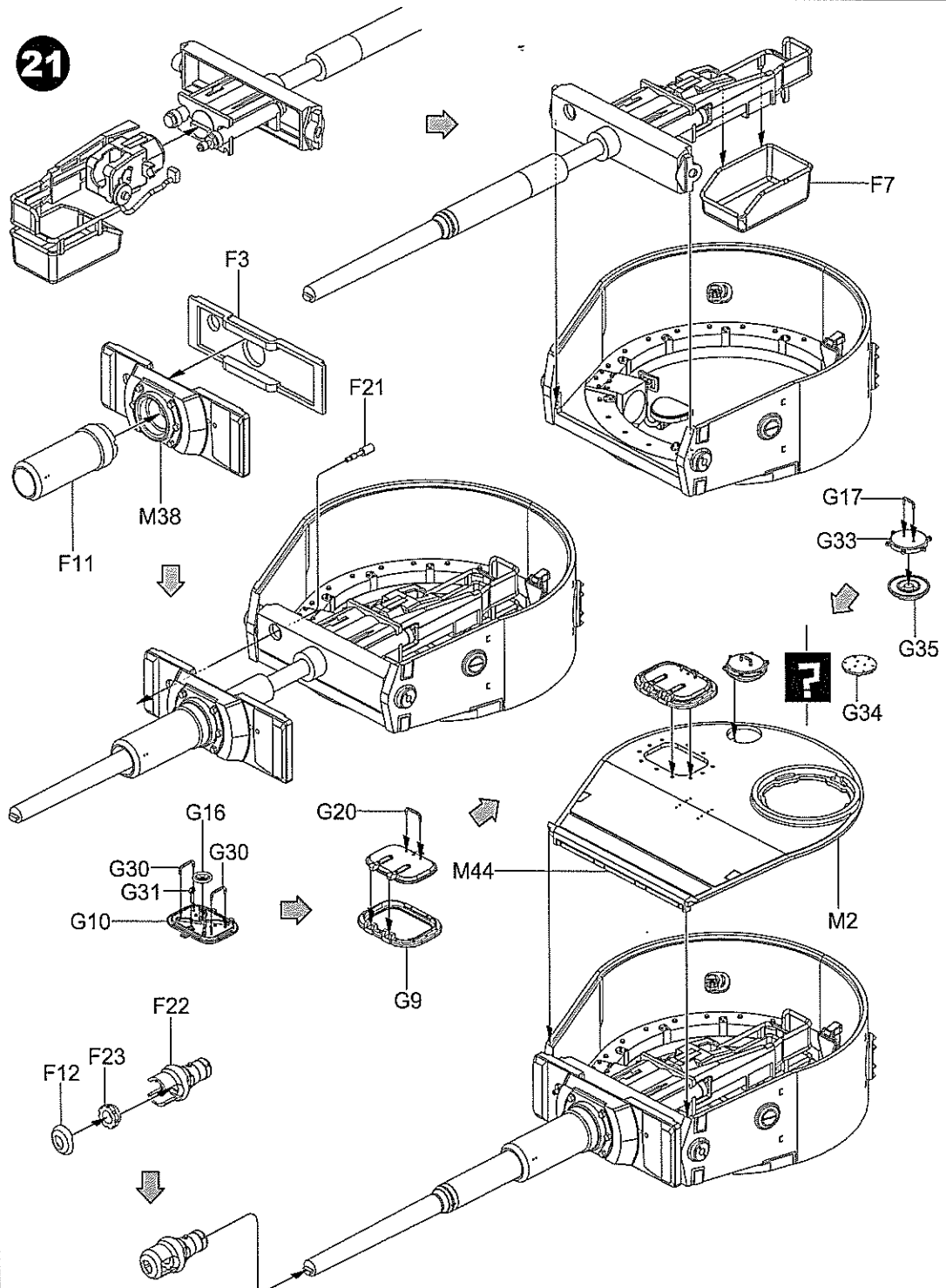
20



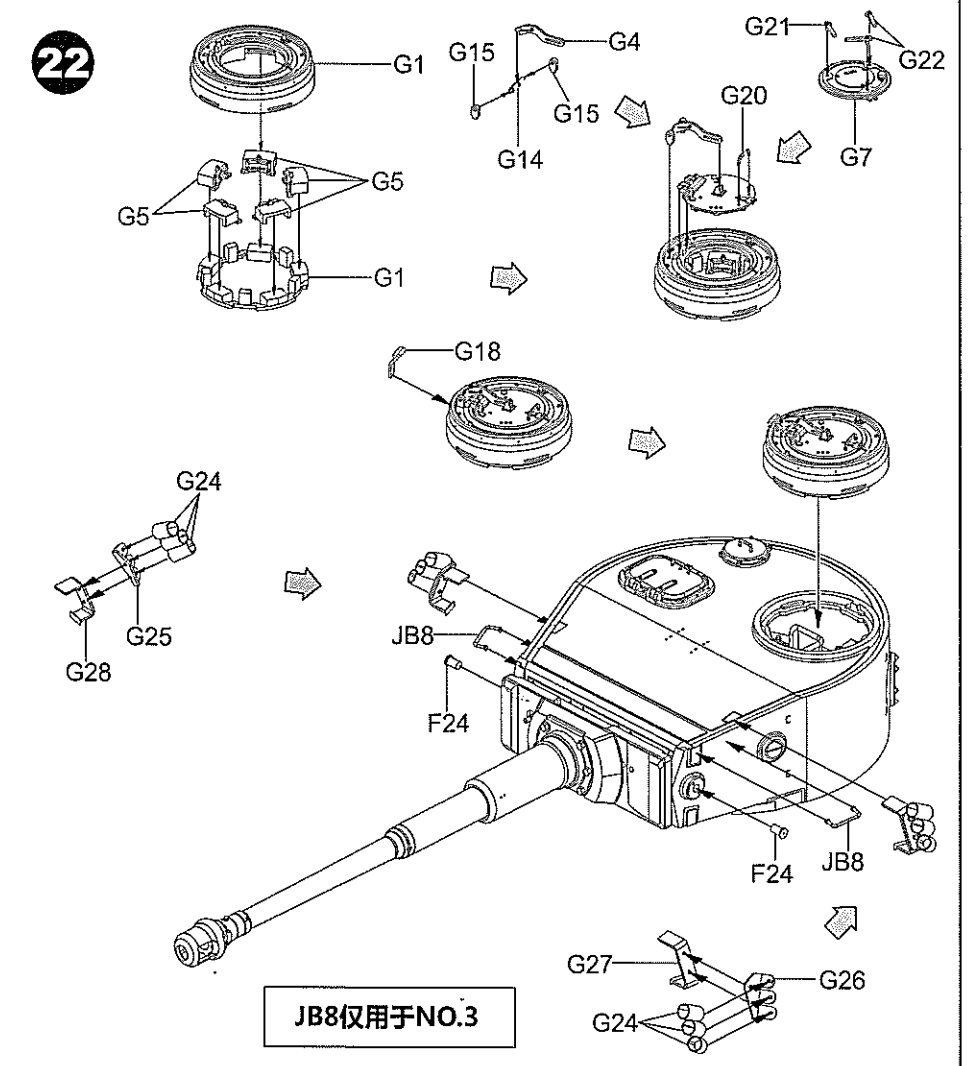
19



21

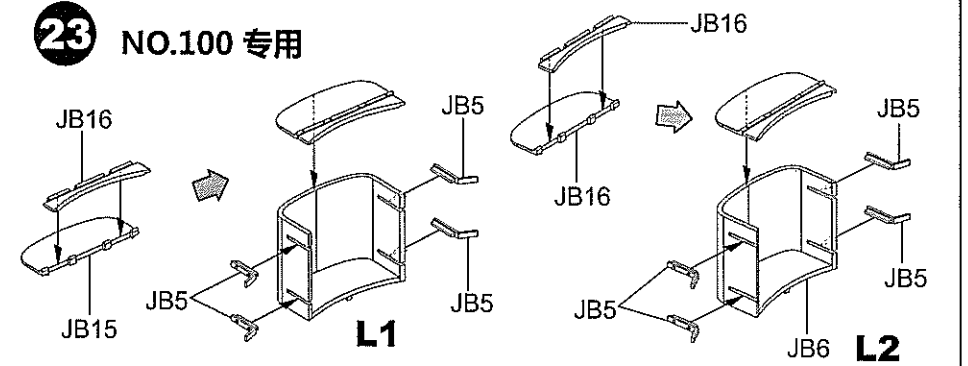


22

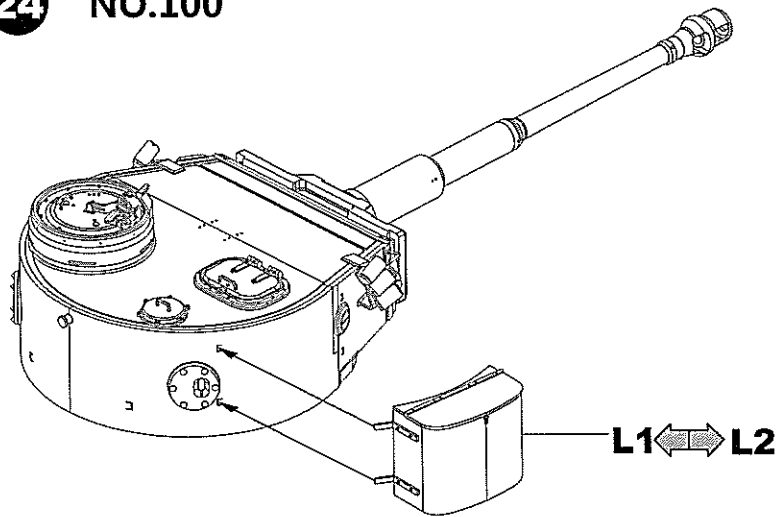


23

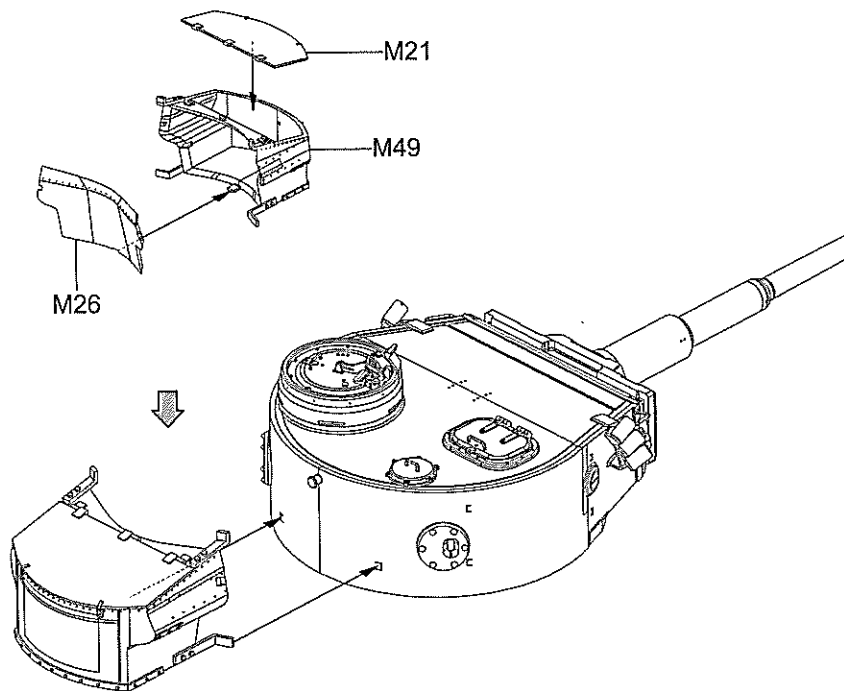
NO.100 专用



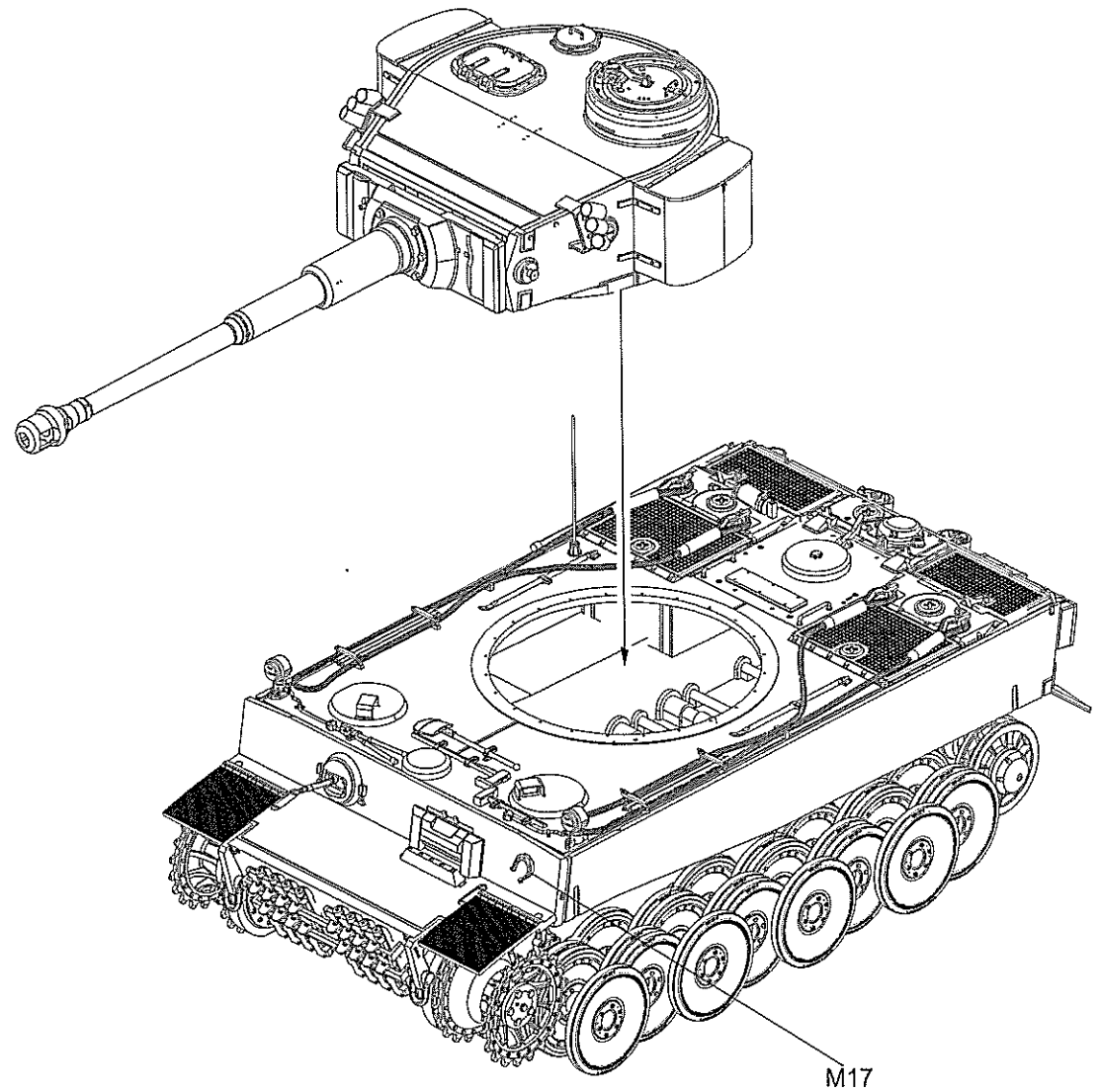
24 NO.100



NO.123 & NO.3



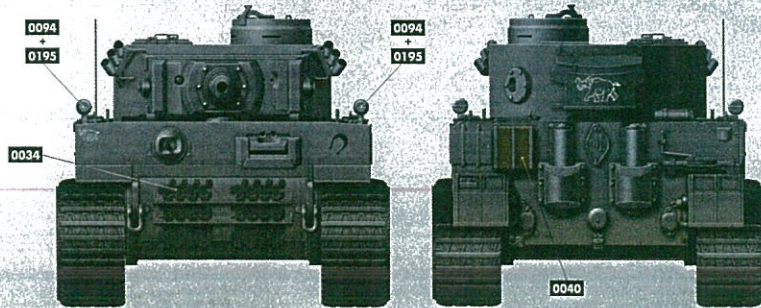
25 NO.100



TIGER I EARLY

PAINTING AND MARKING GUIDE

BORDER MODEL REF: BT-014 s.Pz.Abt.503. Tosno, september 1942



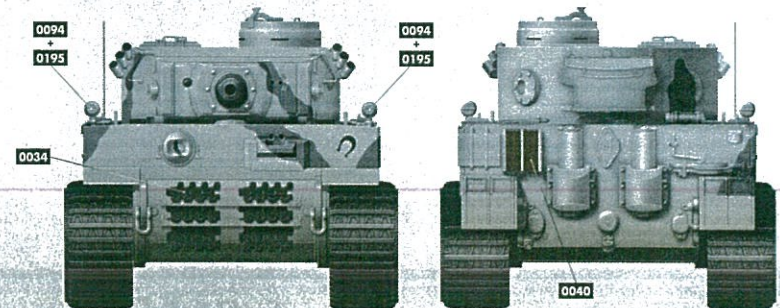
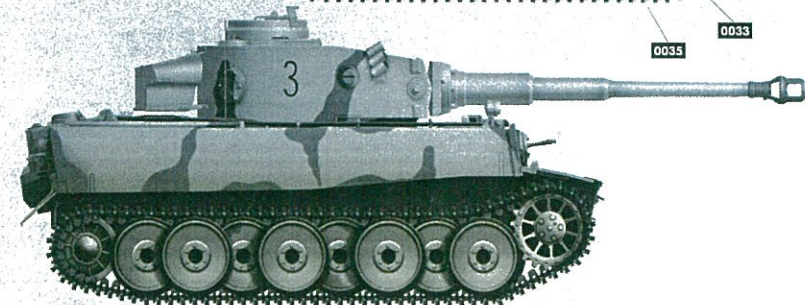
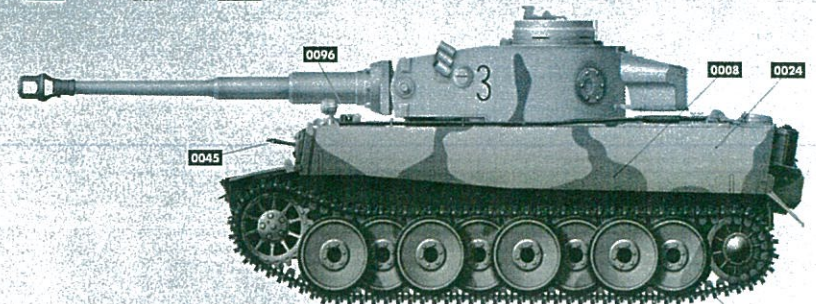
WEATHERING STEPS WITH AMMO PRODUCTS

1 GENERAL WASH A.MIG-1006 Blue Wash for Panzer Grey	3 STREAKING A.MIG-1202 Streaking Grime for Panzer Grey	5 TRACKS WASH A.MIG-1002 Tracks Wash	7 MUD A.MIG-1703 Moist Ground	9 FUEL A.MIG-1408 Fuel Stains
2 FILTER A.MIG-1509 Blue for Dark Grey	4 RAINMARKS A.MIG-1258 Streakingbrusher Dust	6 DUST A.MIG-3013 Rubble Pigment	8 SPLASHES A.MIG-1752 Loose Ground	10 OIL A.MIG-1408 Fresh Engine Oil

TIGER I EARLY

PAINTING AND MARKING GUIDE

BORDER MODEL REF: BT-014 s.Pz.Abt.502. Mishkino, February 1943



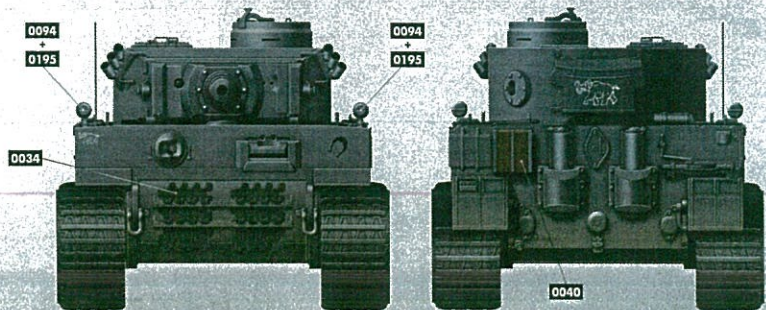
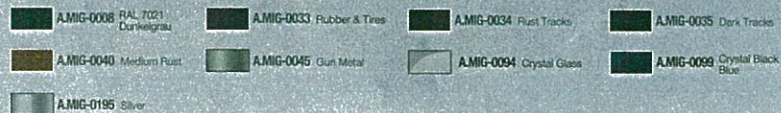
WEATHERING STEPS WITH AMMO PRODUCTS

1 GENERAL WASH A.MIG-1010 Neutral Wash	4 CAMO SHADING A.MIG-0857 Grey Shader	7 STREAKING A.MIG-1256 Streakingbrusher Winter Grime	10 DUST A.MIG-3029 Winter Soil Pigment	13 FUEL A.MIG-1409 Fuel Stains
2 CAMO FADING A.MIG-3501 Oilbrusher White	6 DIRT SHADING A.MIG-0853 Dirt Shader	8 RAINMARKS A.MIG-1258 Streakingbrusher Dust	11 MUD A.MIG-1705 Wet Mud	14 OIL A.MIG-1408 Fresh Engine Oil
3 FILTER A.MIG-0822 Ochre	9 DETAILS HIGHLIGHT A.MIG-0608 Drybrush Light Olive Green	9 TRACKS WASH A.MIG-1002 Tracks Wash	12 SPLASHES A.MIG-1754 Damp Earth	

TIGER I EARLY

PAINTING AND MARKING GUIDE

BORDER MODEL REF: BT-014 s.Pz.Abt.503. Tosno, september 1942.



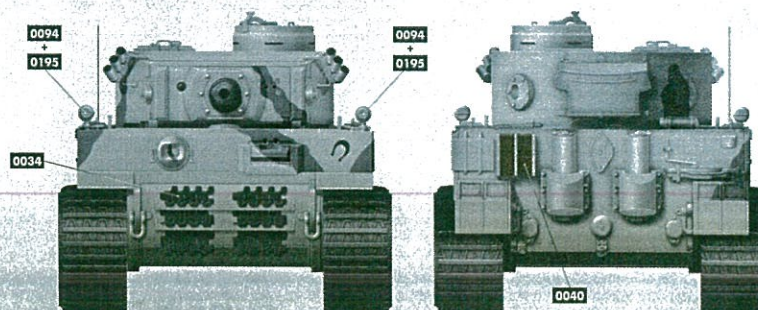
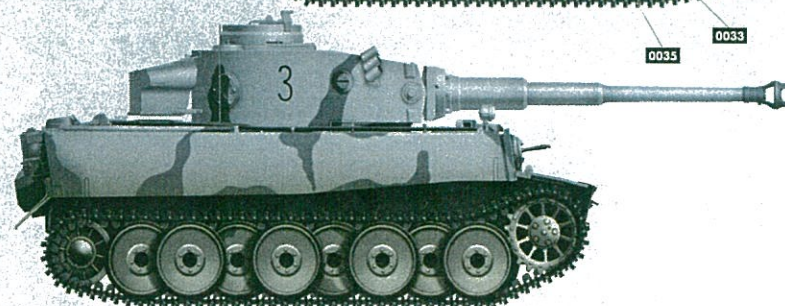
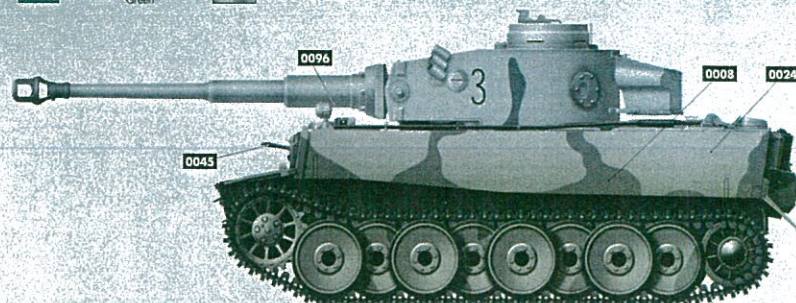
WEATHERING STEPS WITH AMMO PRODUCTS

1 GENERAL WASH A.MIG-1006 Blue Wash for Panzer Grey	3 STREAKING A.MIG-1202 Streaking Grime for Panzer Grey	5 TRACKS WASH A.MIG-1002 Tracks Wash	7 MUD A.MIG-1703 Moist Ground	9 FUEL A.MIG-1408 Fuel Stains
2 FILTER A.MIG-1509 Blue for Dark Grey	4 RAHMARMS A.MIG-1258 Streakingbrusher Dust	6 DUST A.MIG-3013 Rubble Pigment	8 SPLASHES A.MIG-1752 Loose Ground	10 OIL A.MIG-1408 Fresh Engine Oil

TIGER I EARLY

PAINTING AND MARKING GUIDE

BORDER MODEL REF: BT-014 s.Pz.Abt.502. Mishkino, February 1943






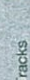






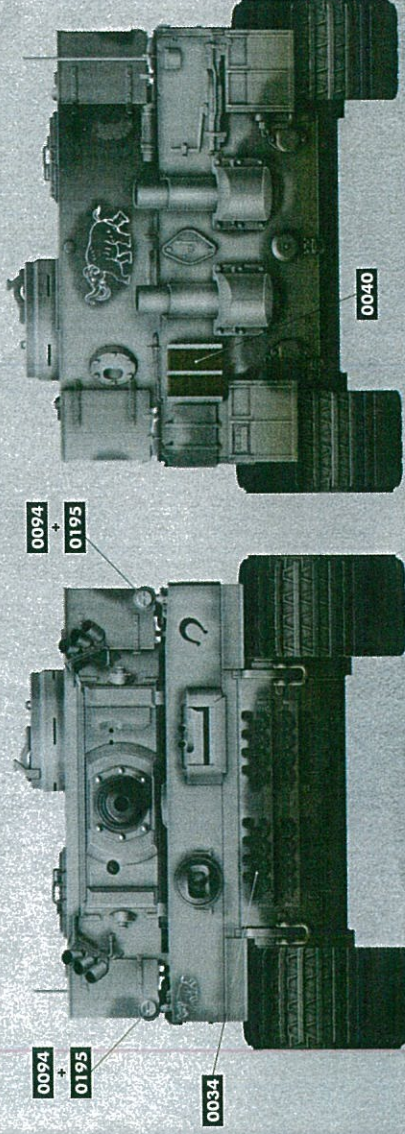
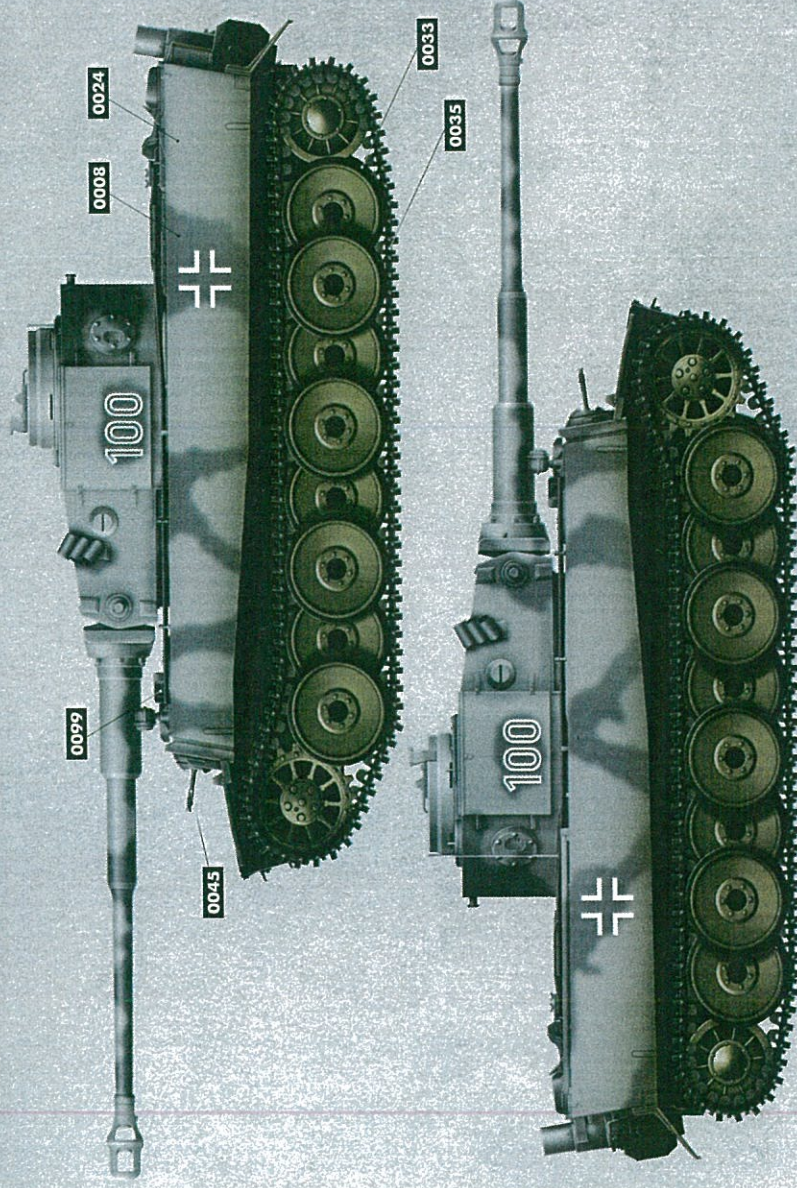
WEATHERING STEPS WITH AMMO PRODUCTS

1 GENERAL WASH A.MIG-1010 Neutral Wash	4 CAMO SHADING A.MIG-0857 Grey Shader	7 STREAKING A.MIG-1258 Streakingbrusher Winter Grime	10 DUST A.MIG-3029 Winter Soil Pigment	13 FUEL A.MIG-1408 Fuel Stains
2 CAMO FADING A.MIG-3501 Oilbrusher White	5 DIRT SHADING A.MIG-0853 Dirt Shader	8 RAHMARMS A.MIG-1258 Streakingbrusher Dust	11 MUD A.MIG-1706 Wet Mud	14 OIL A.MIG-1408 Fresh Engine Oil
3 FILTER A.MIG-0822 Ochr	6 DETAILS HIGHLIGHT A.MIG-0608 Drybrush Light Olive Green	9 TRACKS WASH A.MIG-1002 Tracks Wash	12 SPLASHES A.MIG-1754 Damp Earth	

PAINTING AND MARKING GUIDE

BORDER MODEL REF: BT-014 Pz.Abt.502, Leningrad sector, September 1942.

 A.MIG-0008 RAL 7021 Dunkelgrau	 A.MIG-0024 Washable White Camo	 A.MIG-0033 Rubber & Tires	 A.MIG-0034 Rust Tracks
 A.MIG-0035 Dark Tracks	 A.MIG-0040 Medium Rust	 A.MIG-0045 Gun Metal	 A.MIG-0094 Crystal Glass
 A.MIG-0099 Crystal Black Blue	 A.MIG-0195 Silver		



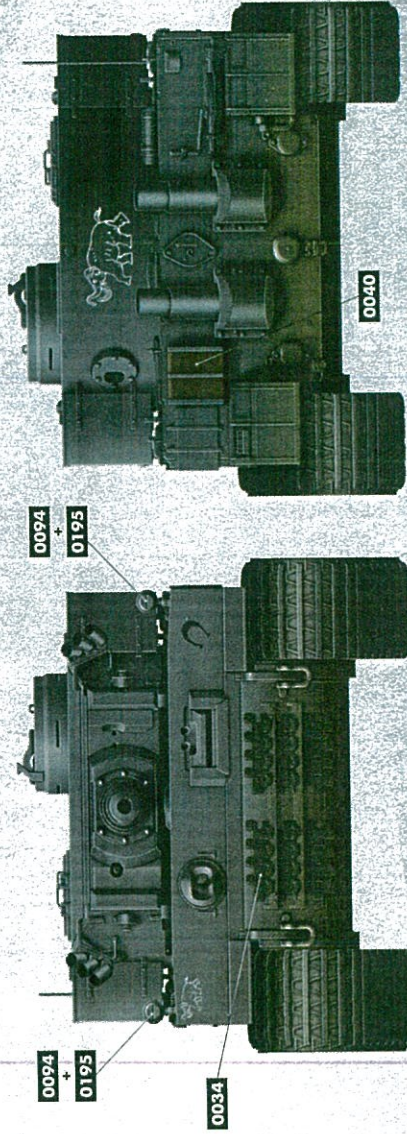
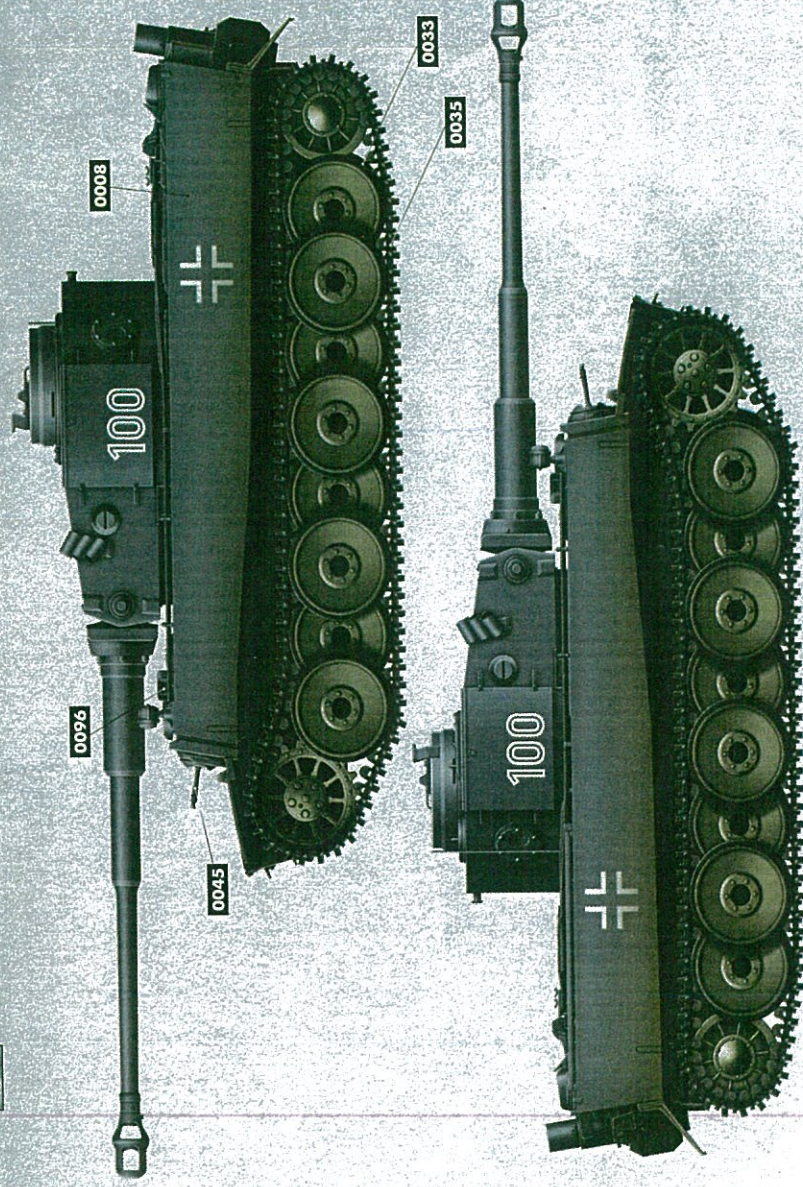
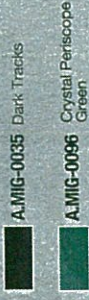
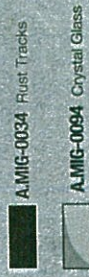
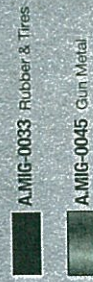
WEATHERING STEPS WITH AMMO PRODUCTS

1 GENERAL WASH A.MIG-1010 Neutral Wash	4 CAMO SHADING A.MIG-0857 Grey Shader	7 STREAMING A.MIG-1255 Streakingbrusher Winter Grime	10 DUST A.MIG-3029 Winter Soil Pigment	13 FUEL A.MIG-1409 Fuel Stains
2 CAMO FADING A.MIG-3501 Oilbrusher White	5 DIRT SHADING A.MIG-0853 Dirt Shader	8 RAINMARKS A.MIG-1258 Streakingbrusher-Dust	11 MUD A.MIG-1705 Wet Mud	14 OIL A.MIG-1408 Fresh Engine Oil
3 FILTER A.MIG-0822 Ochre	6 DETAILS HIGHLIGHT Drybrush Light Olive Green	9 TRACKS WASH A.MIG-1002 Tracks Wash	12 SPLASHES A.MIG-1754 Damp Earth	

TIGER I EARLY

PAINTING AND MARKING GUIDE

BORDER MODEL REF: BT-014 Pz.Abt 502, Leningrad sector, September 1942.



WEATHERING STEPS WITH AMMO PRODUCTS

1 GENERAL WASH
Blue Wash for Panzer Grey
A.MIG-1006 Panzer Grey
2 FILTER
A.MIG-1509 Blue for Dark Grey

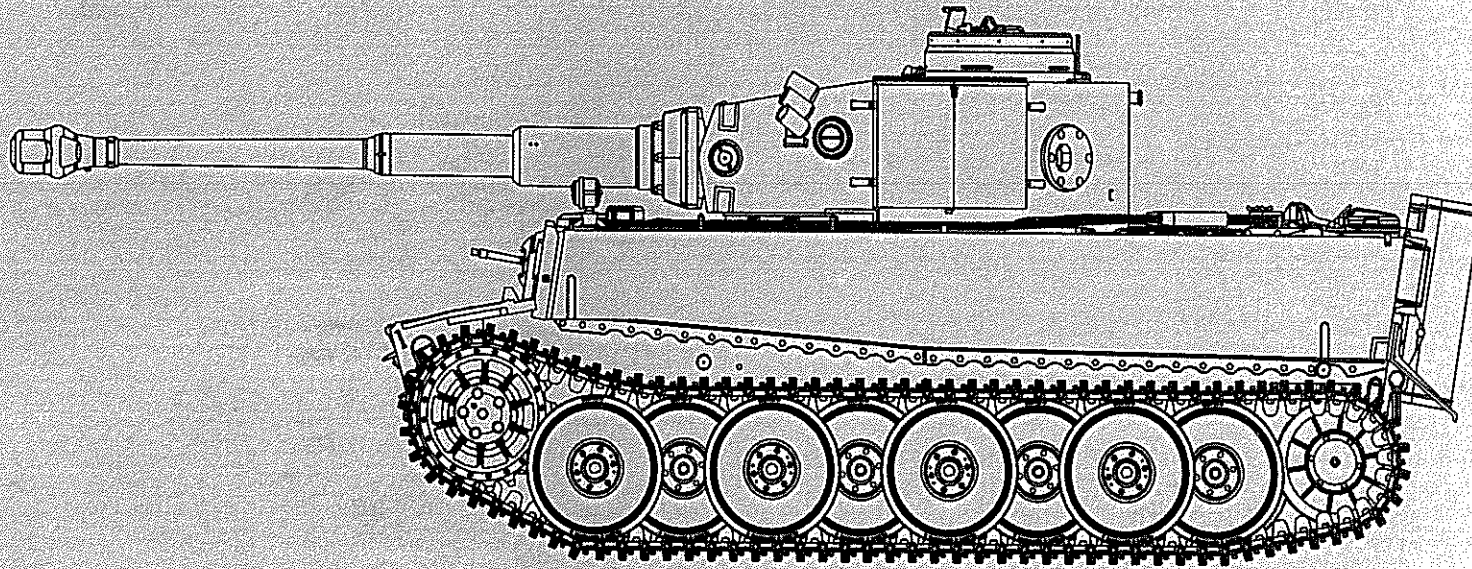
3 STREAKING
Streaking Grime for Panzer Grey
A.MIG-1202 Panzer Grey
4 RAINMARKS
A.MIG-1258 Streakingbrusher Dust

5 TRACKS WASH
A.MIG-1002 Tracks Wash
6 DUST
A.MIG-3013 Rubble Pigment

7 MUD
A.MIG-1703 Moist Ground
8 SP LUSHES
A.MIG-1752 Loose Ground

9 FUEL
A.MIG-1409 Fuel Stairs
10 OIL
A.MIG-1408 Fresh Engine Oil

Border
Model



WWW.BORDERMODEL.COM