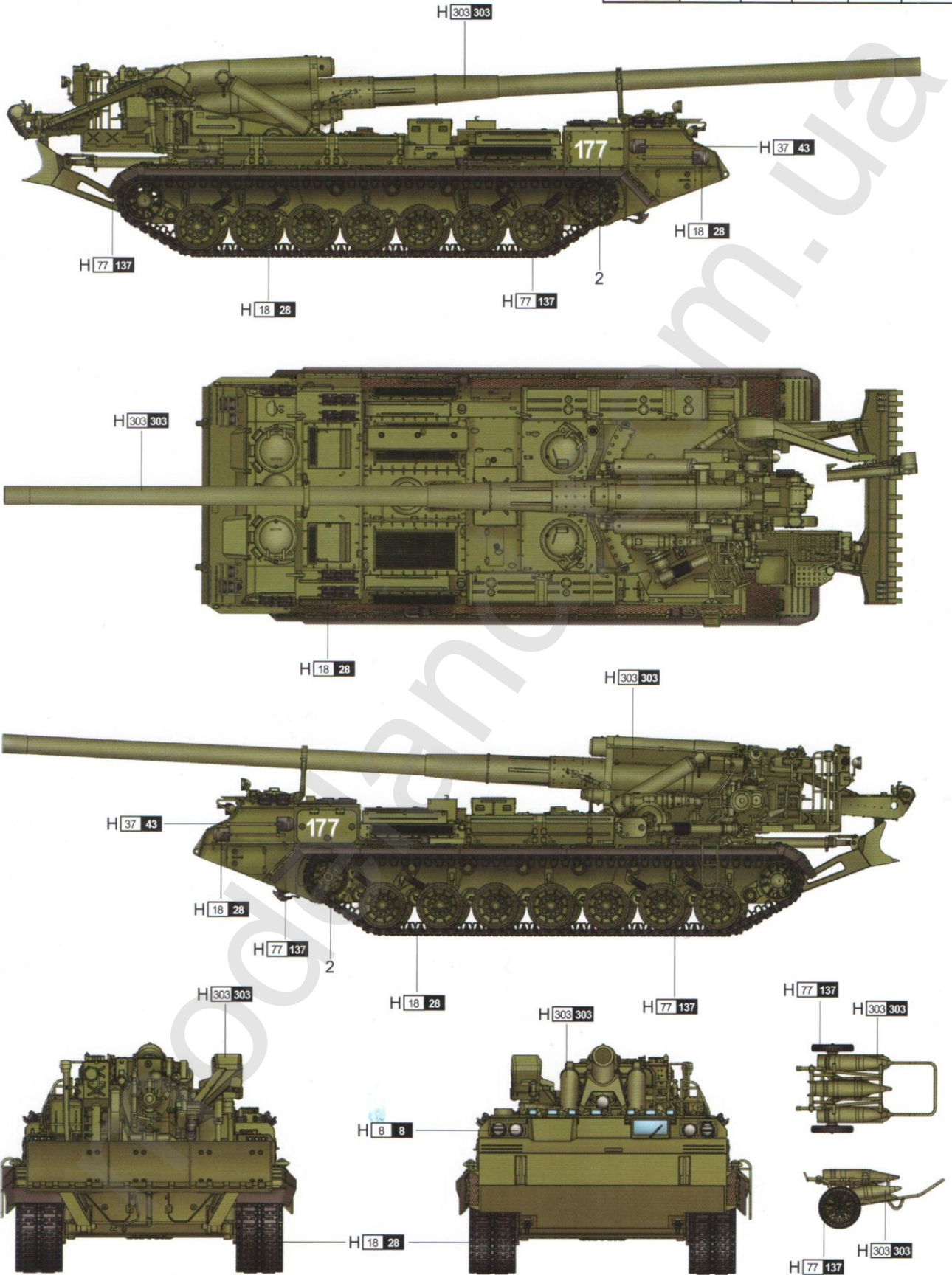


# 涂装同标贴指示

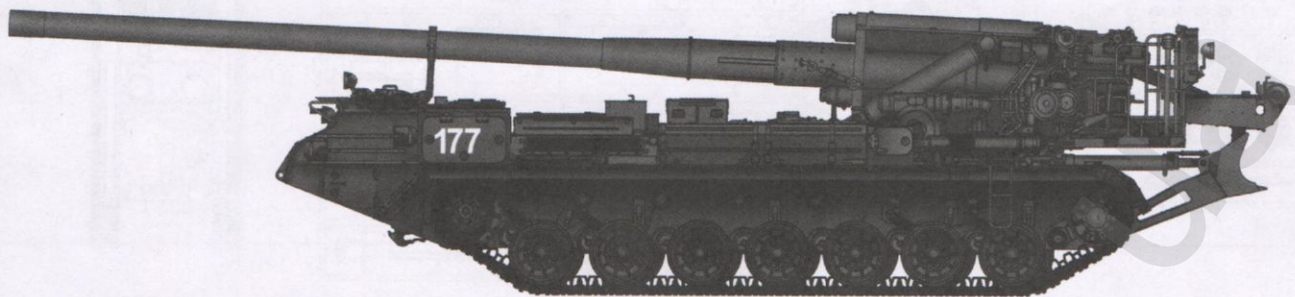
## Painting & Marking guide

### PAINT REFERENCE COLOUR

Color	Mr.Hobby	Vallejo	Model Master	Tamiya	Humbrol
Flat Black 绿色	H 303 303	-	1713	XF20	117
Tire Black 胎黑色	H 77 137	-	-	-	-
Steel 黑铁色	H 18 28	864	1402	-	-
Wood Brown 木棕色	H 37 43	983	1701	-	186
Silver 银色	H 8 8	997	1546	X11	11



H  AQUEOUS HOBBY COLOR    ■ Mr. COLOR



# Soviet 2S7 Self-Propelled Gun

## 苏联2S7自行火炮

### READ BEFORE ASSEMBLY:

- Study and understand these instructions thoroughly before beginning assembly
- When needed, remove photo-etch parts carefully using a modeling knife or photo etch sprue cutter, being careful not to damage or lose small parts.
- Take extra care in handling photo etch parts in order to avoid injury
- Apply instant cement sparingly to photo etch parts where instructed
- Tools recommended(not included in kit):Plastic and instant cements, sprue cutters,long nose pliers,modeling knife, small files, tweezers, pin vise & scissors. Soft cloth and sandpaper will also assist in construction
- Glue and paint are not included in the kit. Use plastic cement and hobby paints only. Color guide for purchasing paint is included in the kit.

### 装配之前仔细阅读

- 小心用模型锉刀锉平所有零件表面的注射浇口。
- 小心用刀片切下蚀刻片零件，不要遗失小零件。
- 用强力快干胶水粘合蚀刻片零件和金属轴。过量快干胶水使用可能导致可动零件会粘住，小心涂胶。
- 取蚀刻片时应特别注意安全，防止利边划伤手指。
- 某些零件表面需贴水上贴纸，请选择在装配的同时进行。
- 推荐模型工具(自备)：胶水，水口剪刀，长咀钳，刀片，锉刀，镊子，钳，钻，剪刀，瞬间快干胶。
- 软布同砂纸同时也应该是必备工具。
- 请使用塑料胶水和油漆，模型内不含。



配重  
Weight



使用强力胶  
Cyanoacrylate glue



钻孔  
Make hole



切除  
Cut / Remove



贴纸  
Decal



锉平  
File / Sand



选择  
Option



不涂胶水  
No cement



弯曲  
Bend

### 水贴纸的使用:

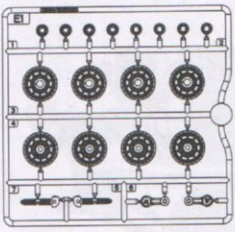
- 1.从水贴纸上剪下印花;
- 2.将印花放入温水中浸10秒, 然后放在干净布上。
- 3.拿着印花纸板将印花移到模型上;
- 4.手指蘸水将印花移到适当的位置;
- 5.用软布轻压印花直至水干, 气泡消失

### DECAL APPLICATION

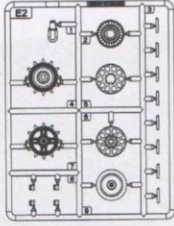
- 1.Cut decals from sheet as needed
- 2.Dip the decal in warm water for about 10 seconds and then place on soft clean cloth.
- 3.Hold the decal backing sheet edge and gently slide the decal onto the model in its proper position.
- 4.While still wet,decal can be adjusted for better fit on model by dampening it gently with your finger.
- 5.When placed in the proper position,gently press decal down with a soft cloth until excess water and air bubbles are gone.
- 6.Allow decal to dry completely before handling model

部品图  
Parts

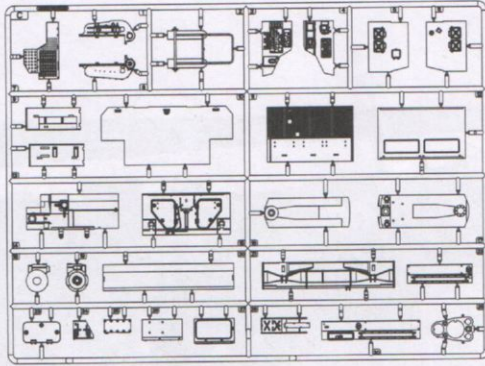
E1x4



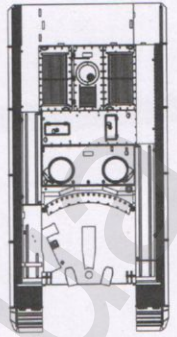
E2x2



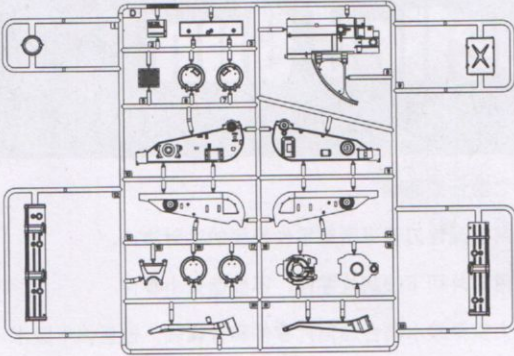
C



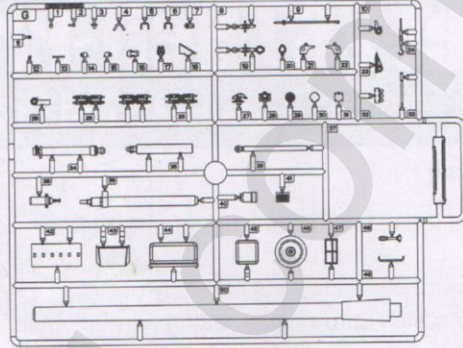
《车面》  
Upper hull



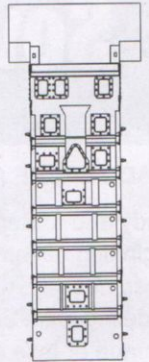
D



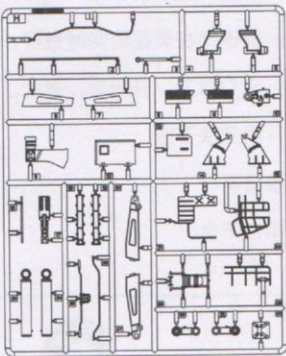
Gx2



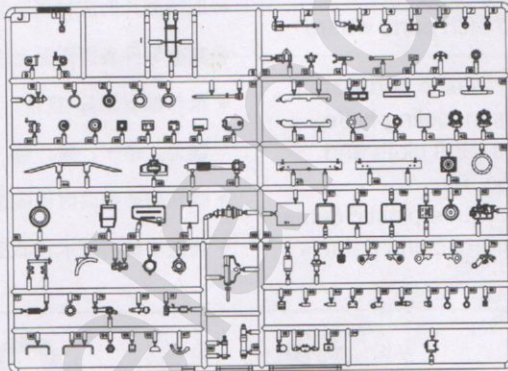
《车底》  
Lower hull



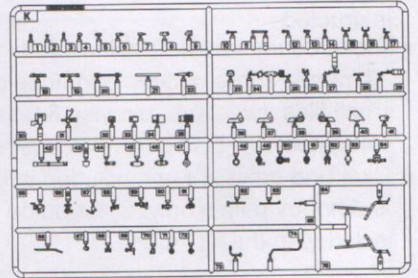
H



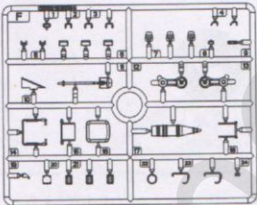
J



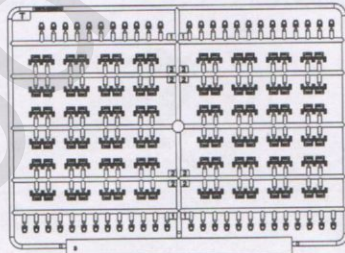
K



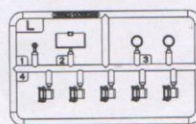
Fx4



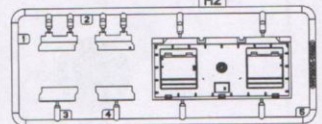
Tx4



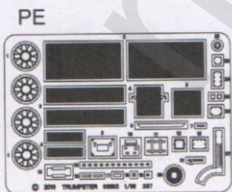
Lx2



H2

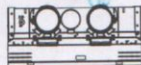


《蚀刻片》  
PE



《轮胎》x2  
Tyre

H33



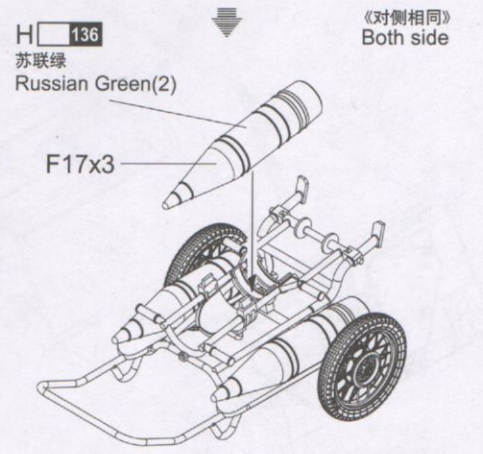
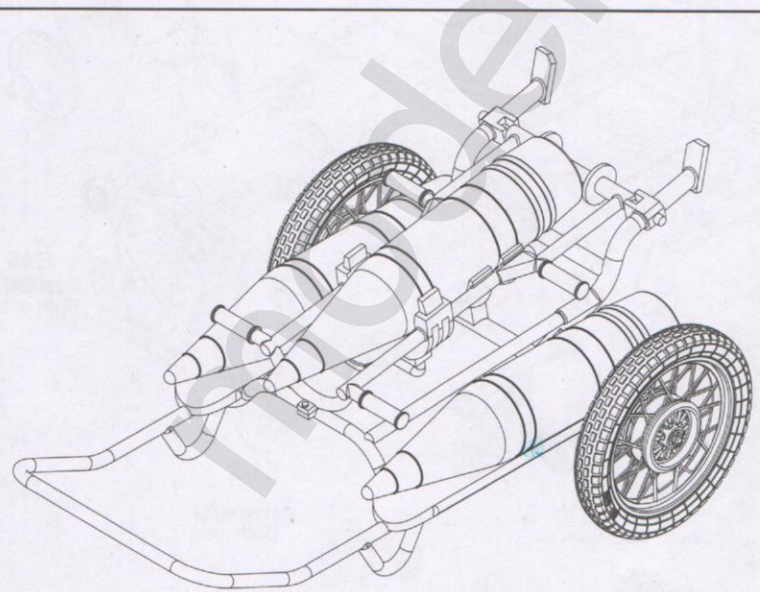
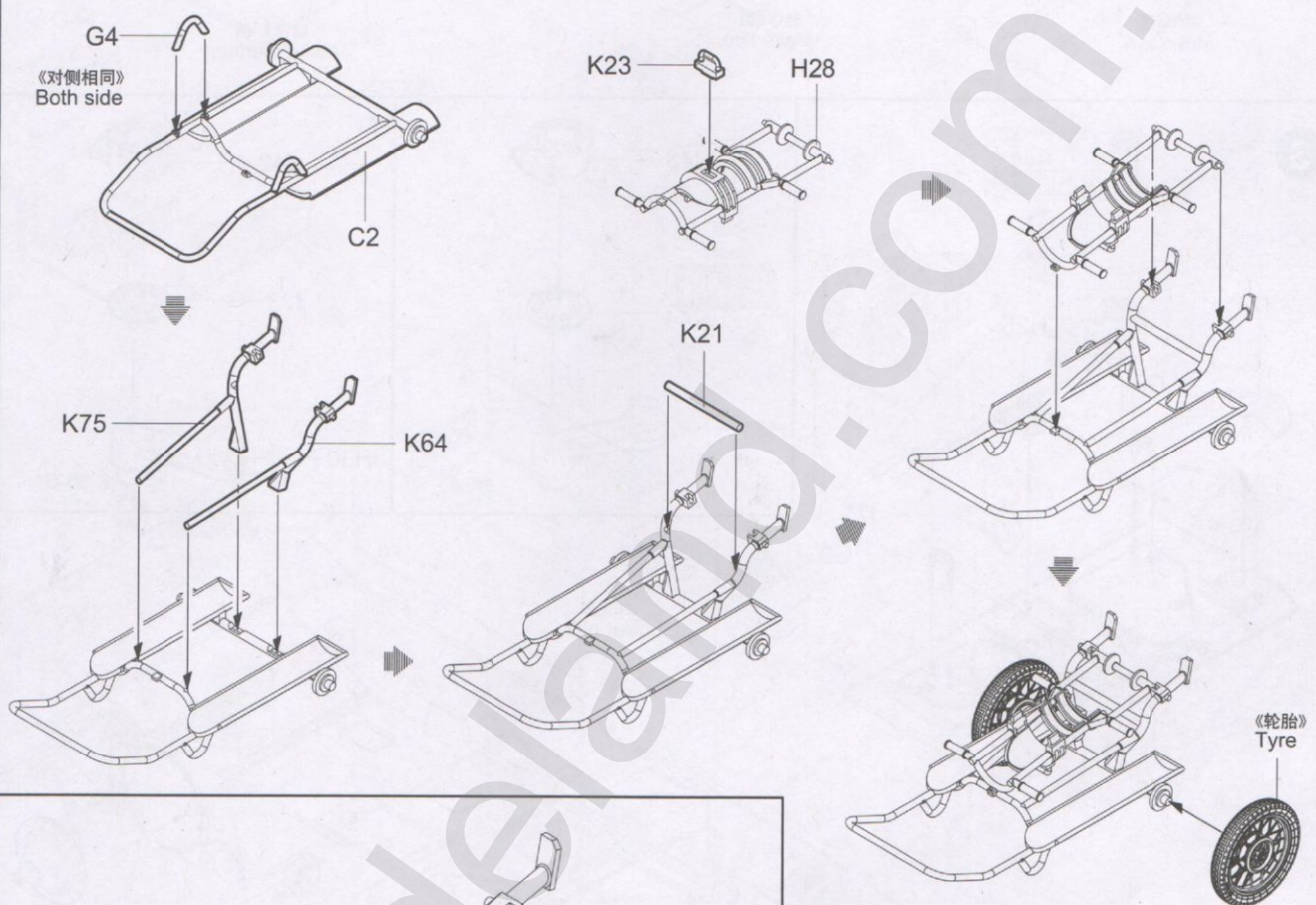
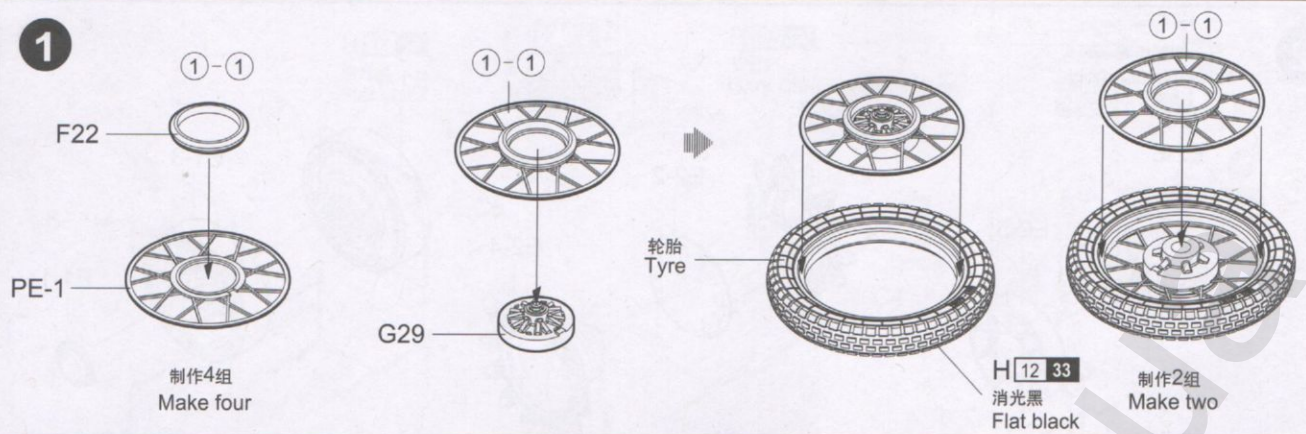
《铜缆》  
Brass Wire



《水贴》  
Decal

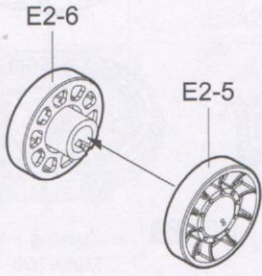


1



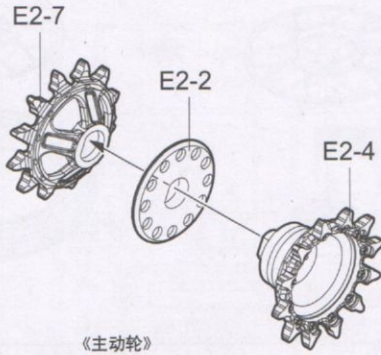
2

车轮组装  
Wheels assembly



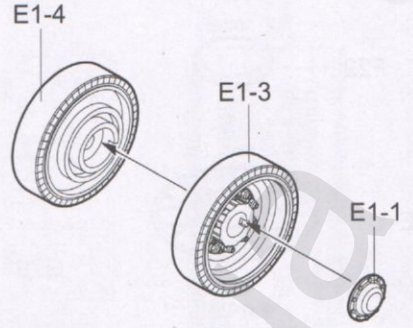
《诱导轮》  
Idler wheels

制作2组  
Make two



《主动轮》  
Sprocket wheels

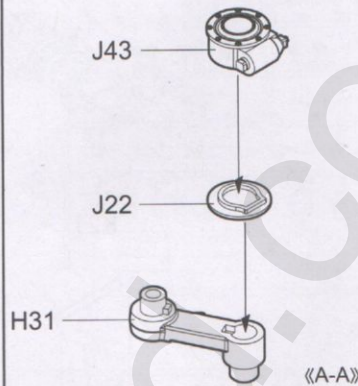
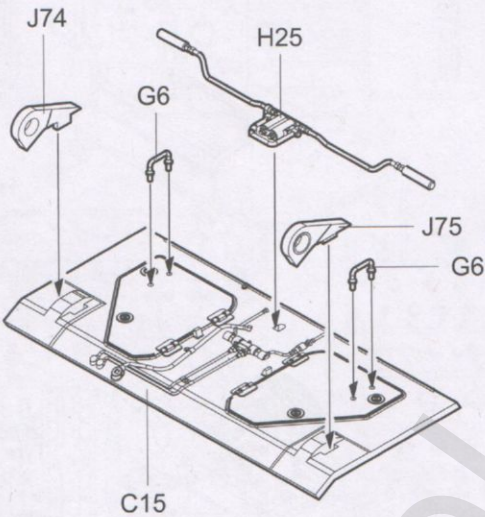
制作2组  
Make two



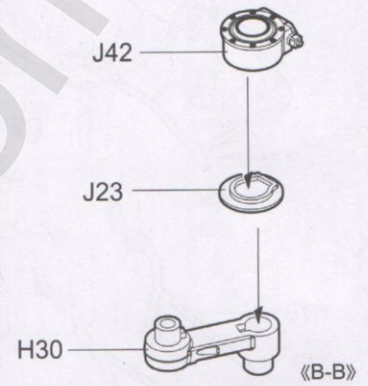
《负重轮》  
Road wheels

制作14组  
Make fourteen

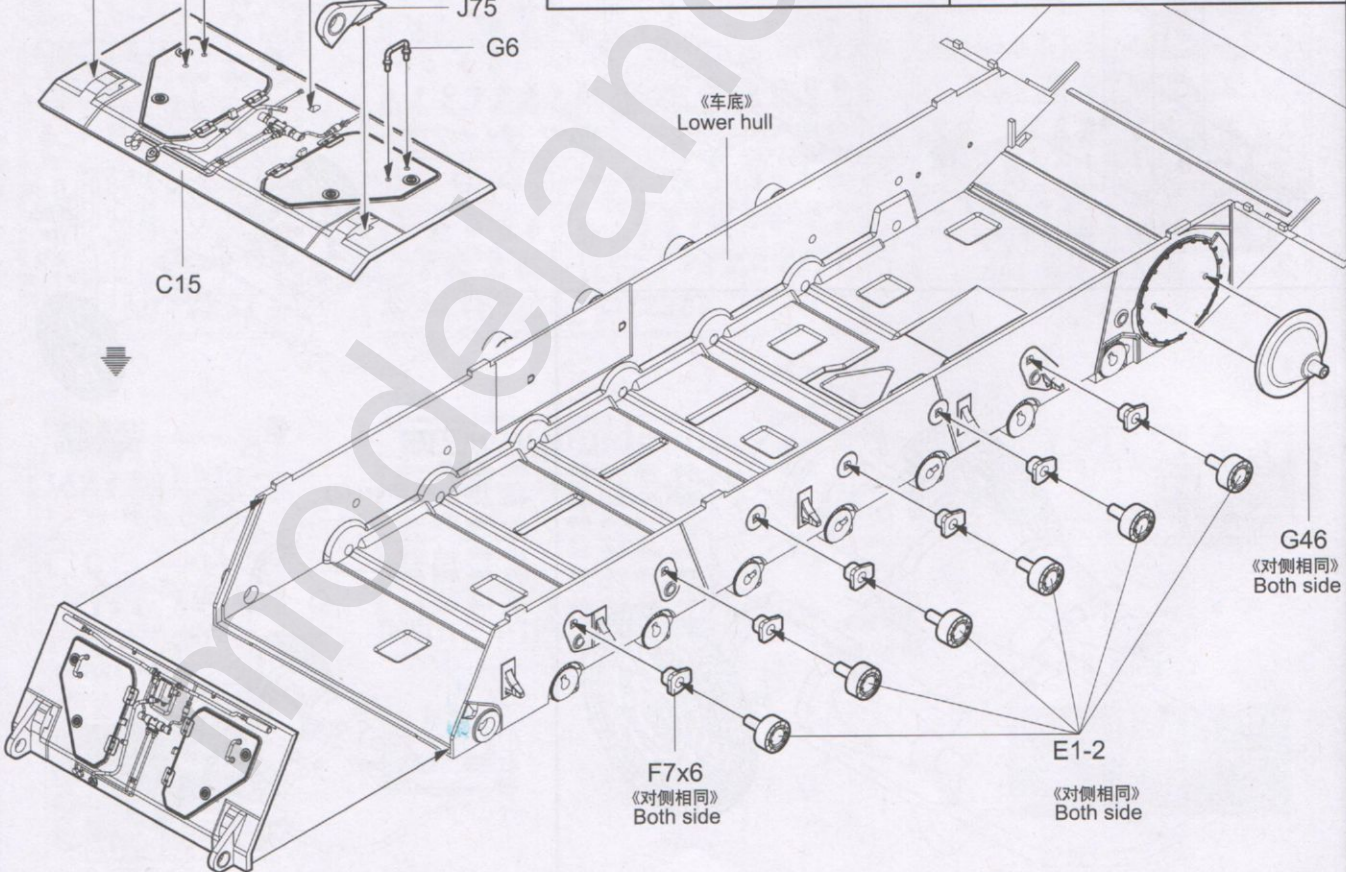
3



《A-A》



《B-B》



《车底》  
Lower hull

F7x6  
《对侧相同》  
Both side

E1-2  
《对侧相同》  
Both side

G46  
《对侧相同》  
Both side

4

H 12 33  
消光黑  
Flat black

H 307 307  
灰色  
Dark Compass Ghost Grey

贴纸  
Decal  
5

H 12 33  
消光黑  
Flat black

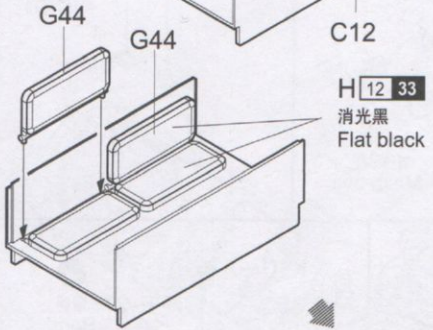
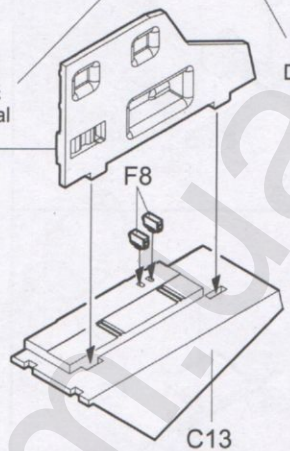
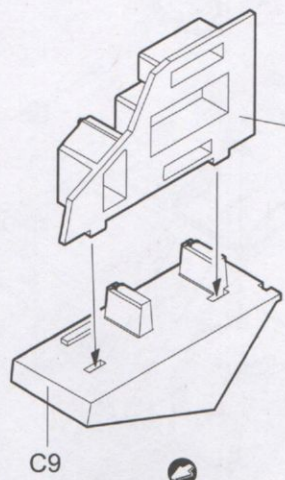
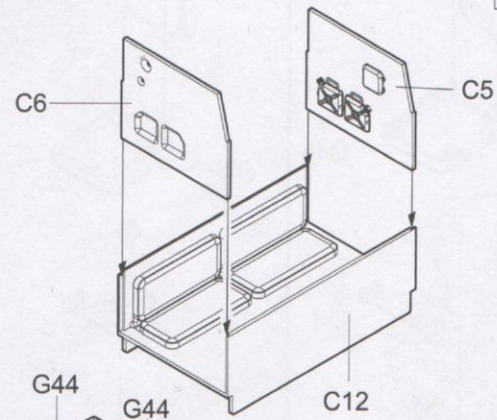
贴纸  
Decal  
4

6 贴纸  
Decal

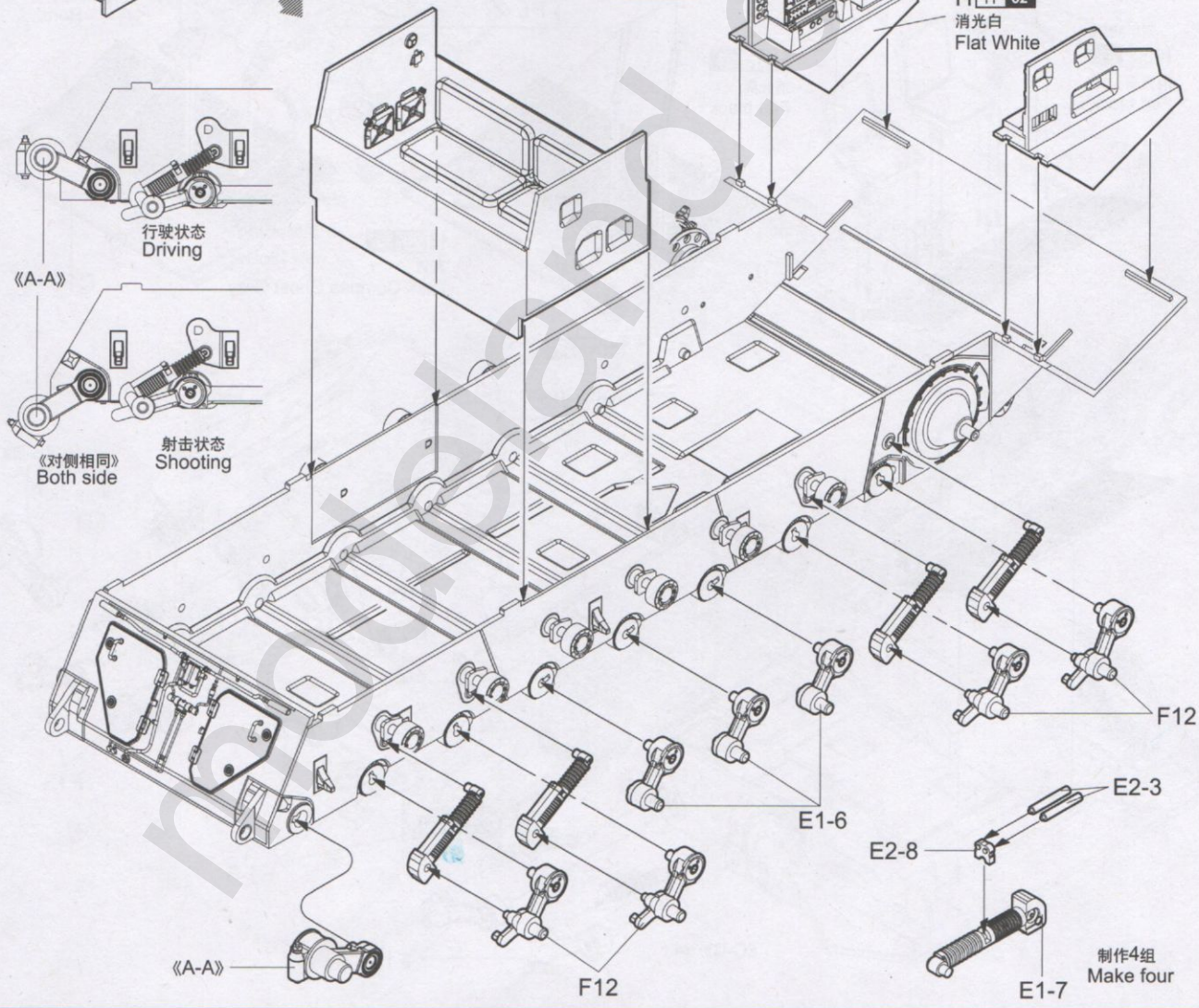
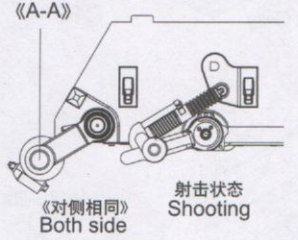
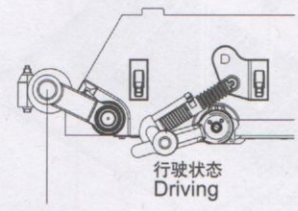
7 贴纸  
Decal

8 贴纸  
Decal

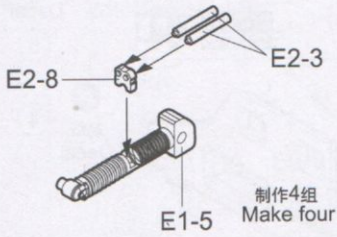
H 11 62  
消光白  
Flat White



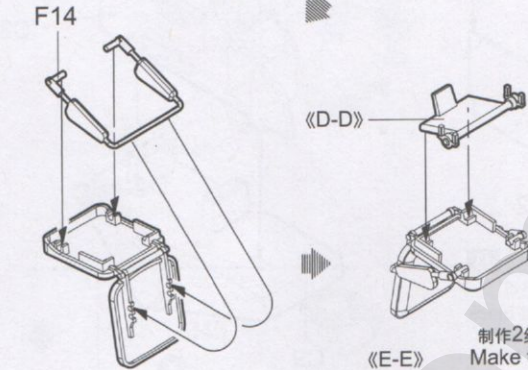
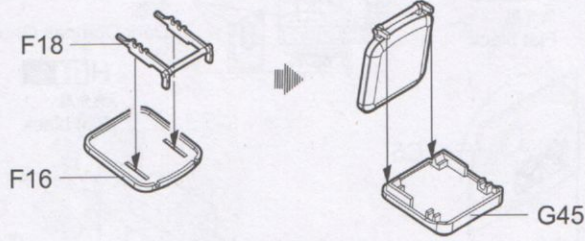
H 12 33  
消光黑  
Flat black



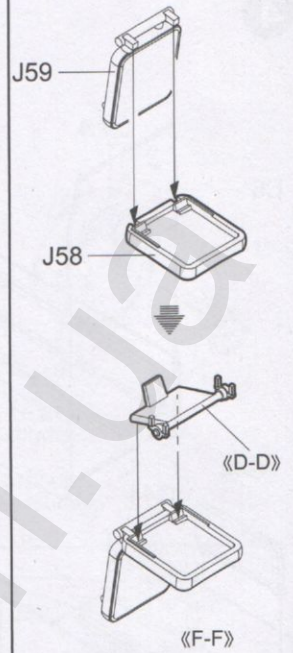
制作4组  
Make four



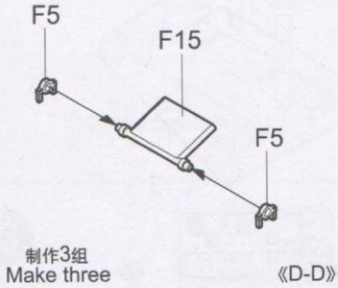
《C-C》



《E-E》 制作2组 Make two

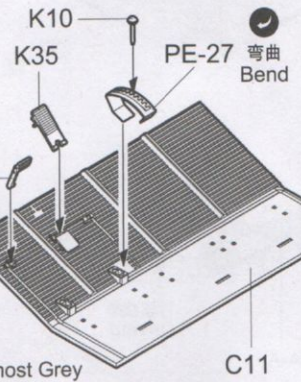
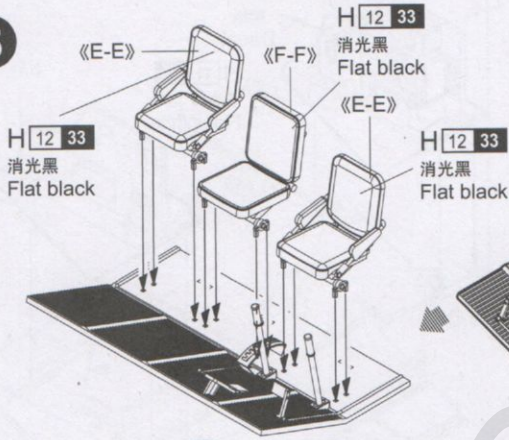


《F-F》

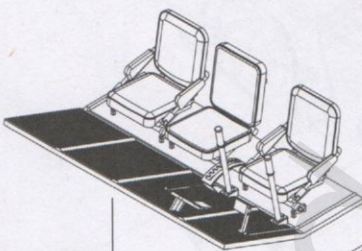


《D-D》

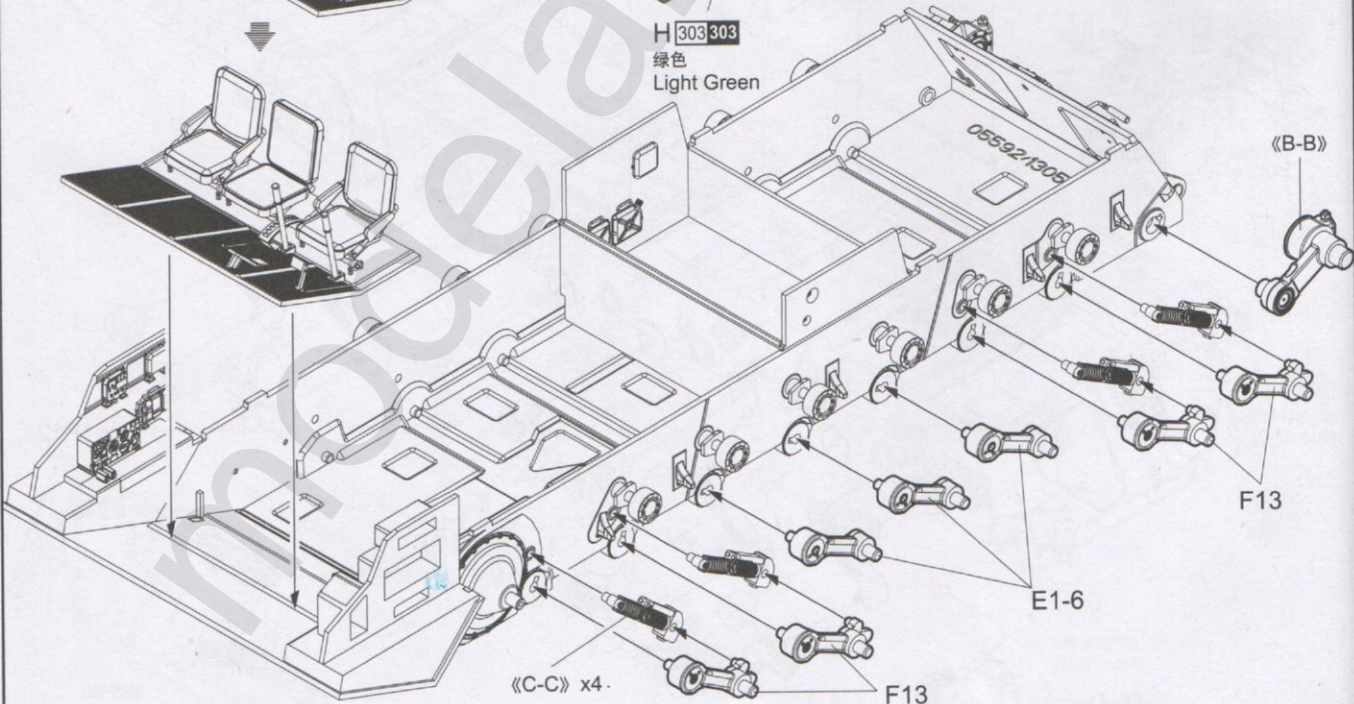
5



弯曲 Bend PE-27



H303 303 绿色 Light Green



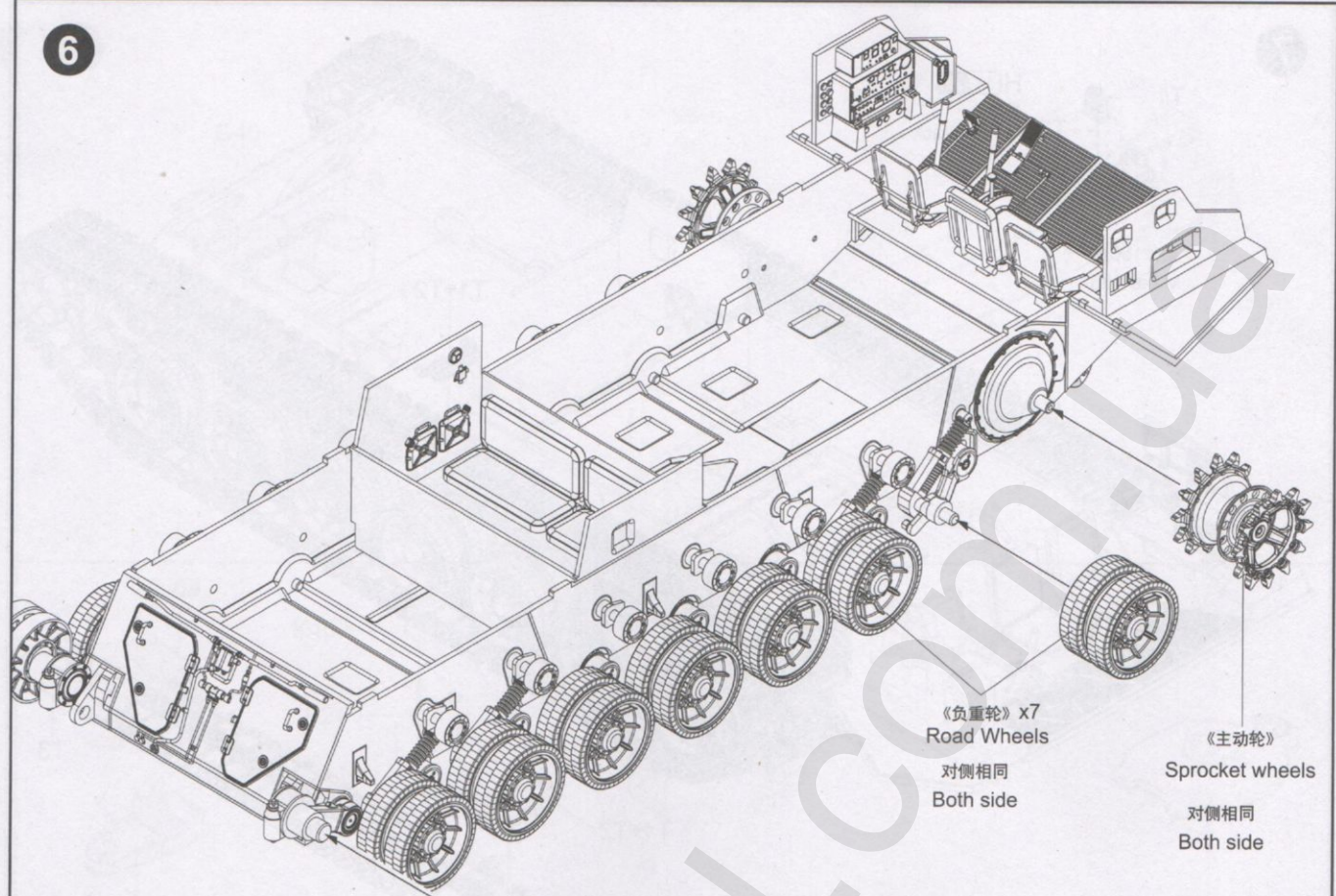
《B-B》

F13

E1-6

《C-C》 x4.

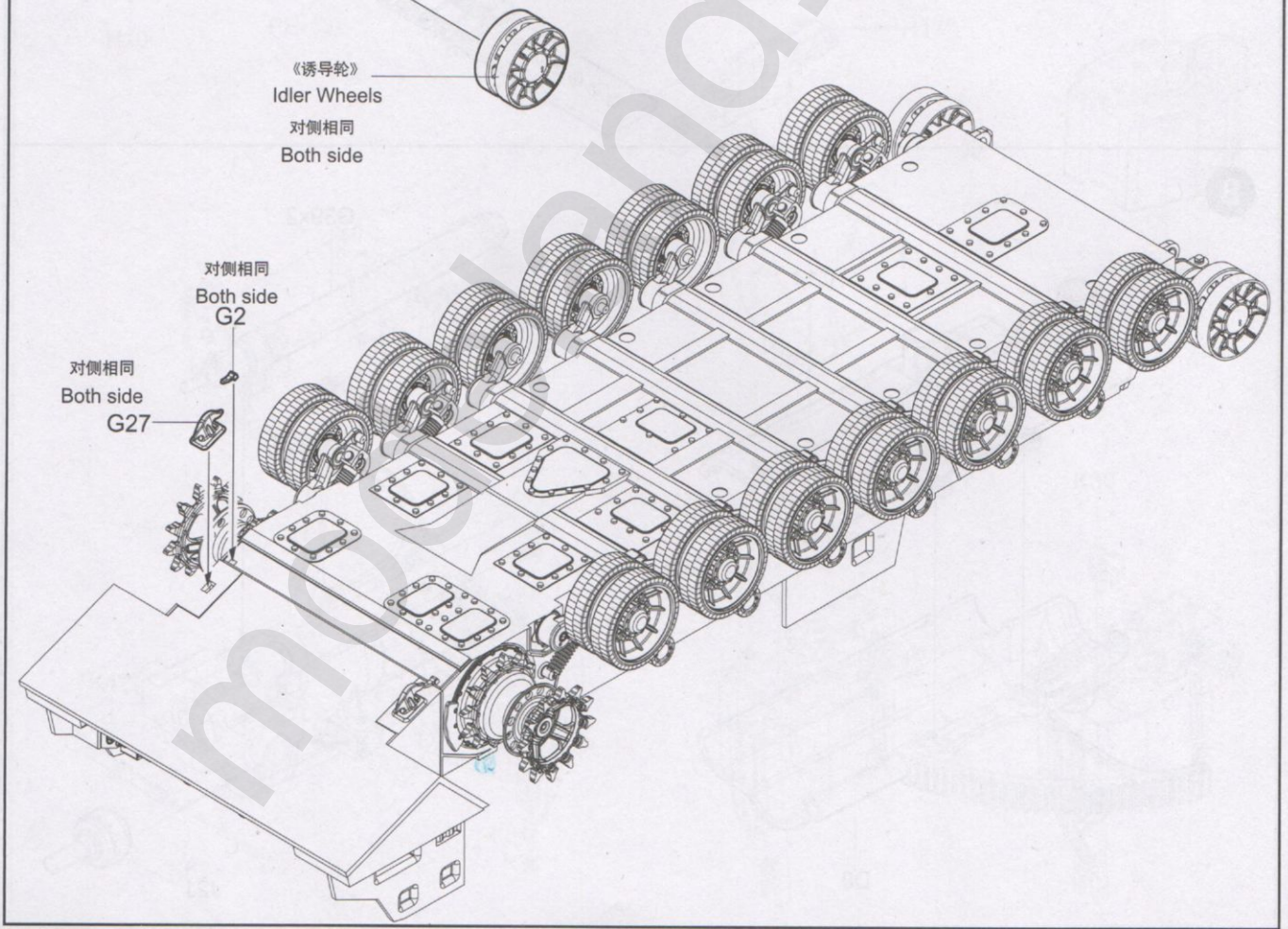
F13



《负重轮》x7  
Road Wheels  
对侧相同  
Both side

《主动轮》  
Sprocket wheels  
对侧相同  
Both side

《诱导轮》  
Idler Wheels  
对侧相同  
Both side

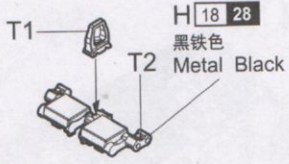


对侧相同  
Both side  
G2

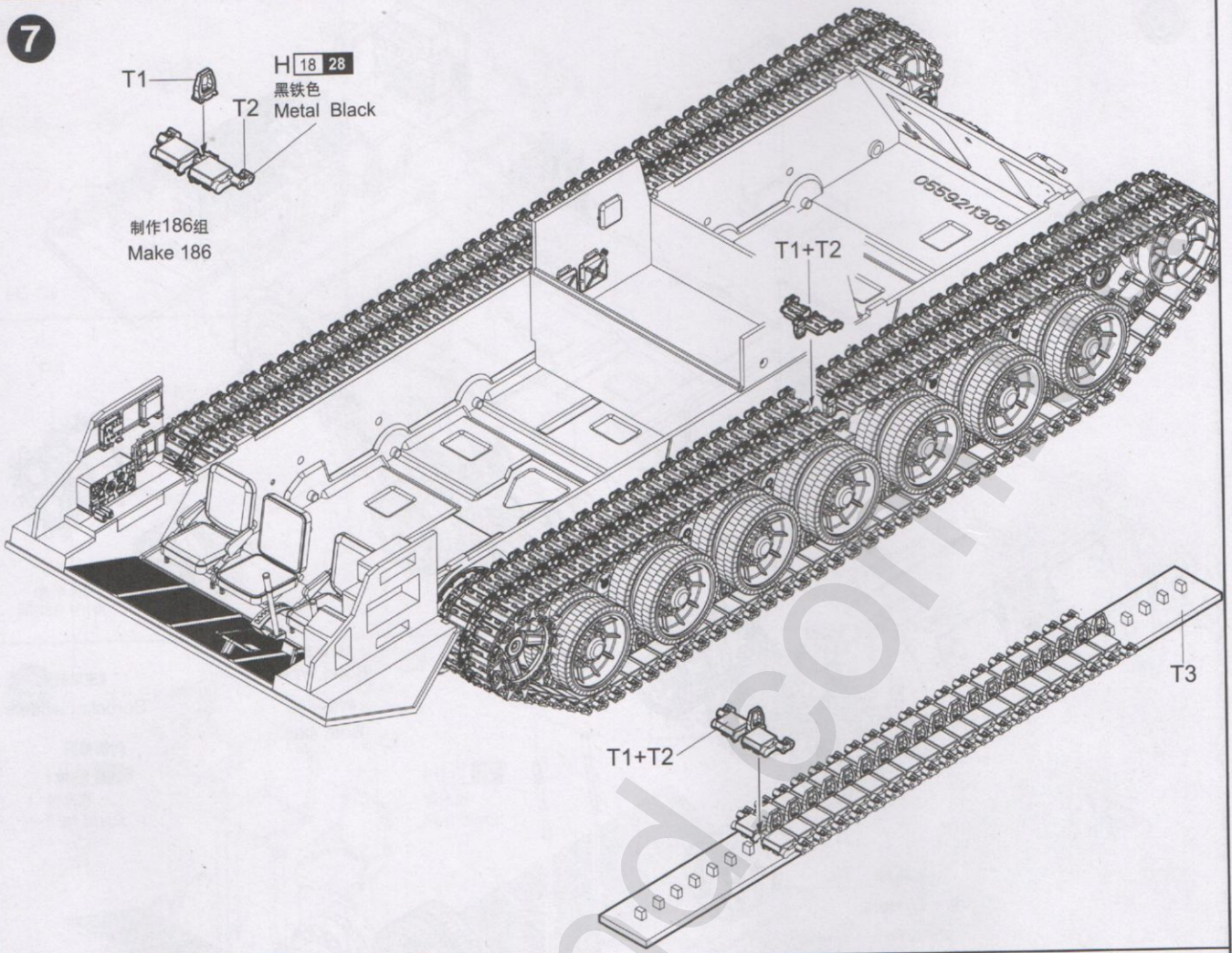
对侧相同  
Both side  
G27



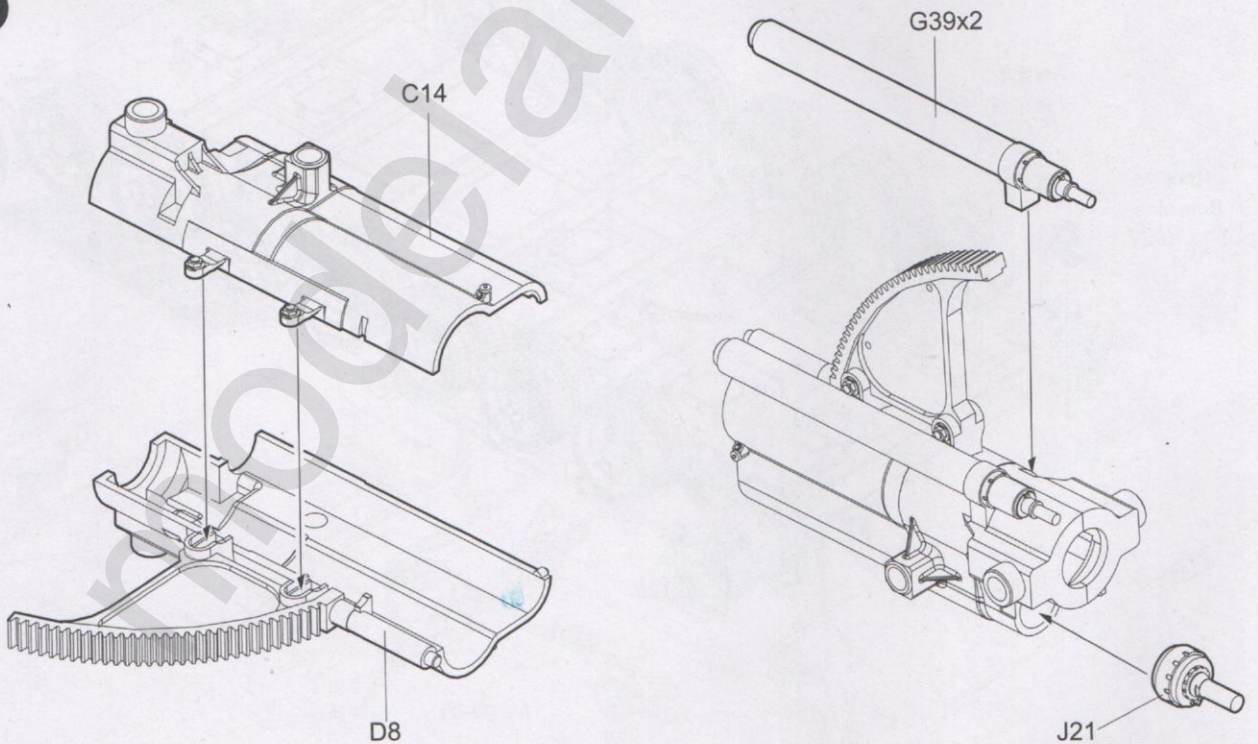
7



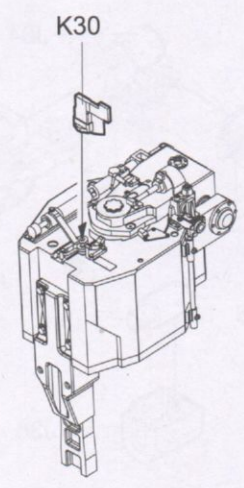
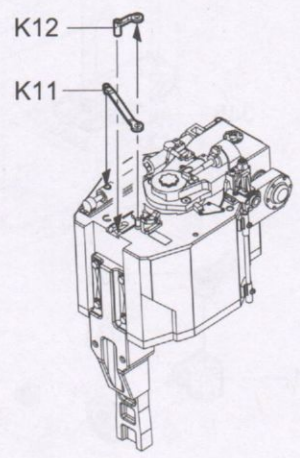
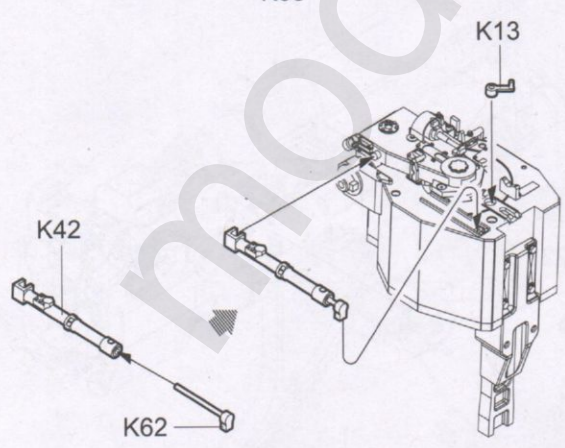
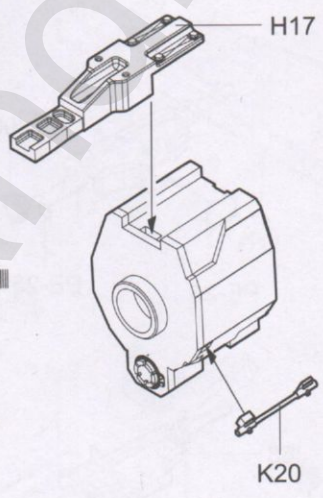
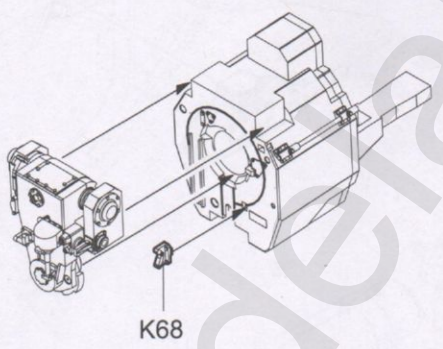
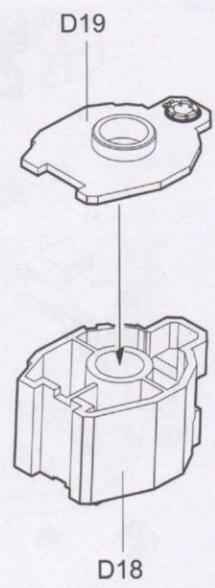
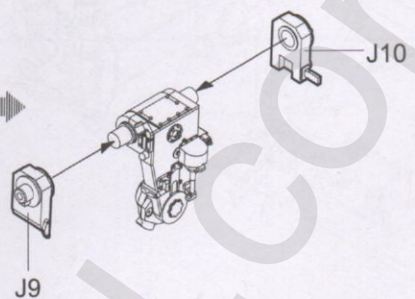
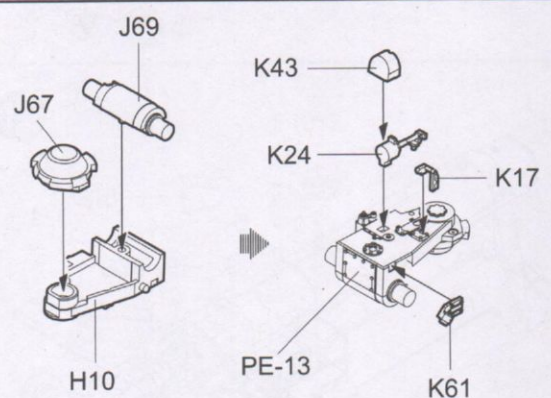
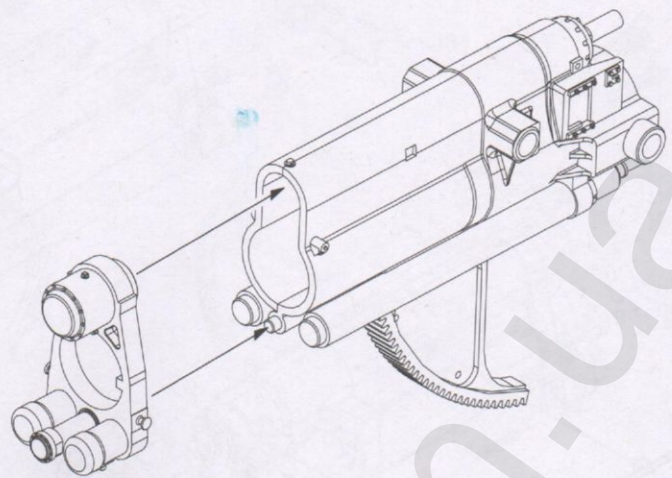
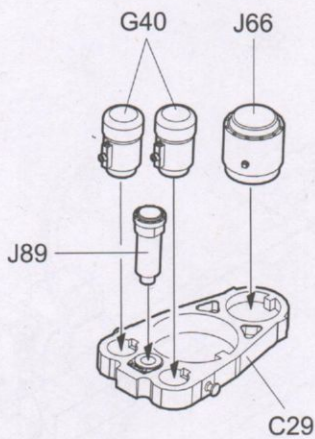
制作186组  
Make 186

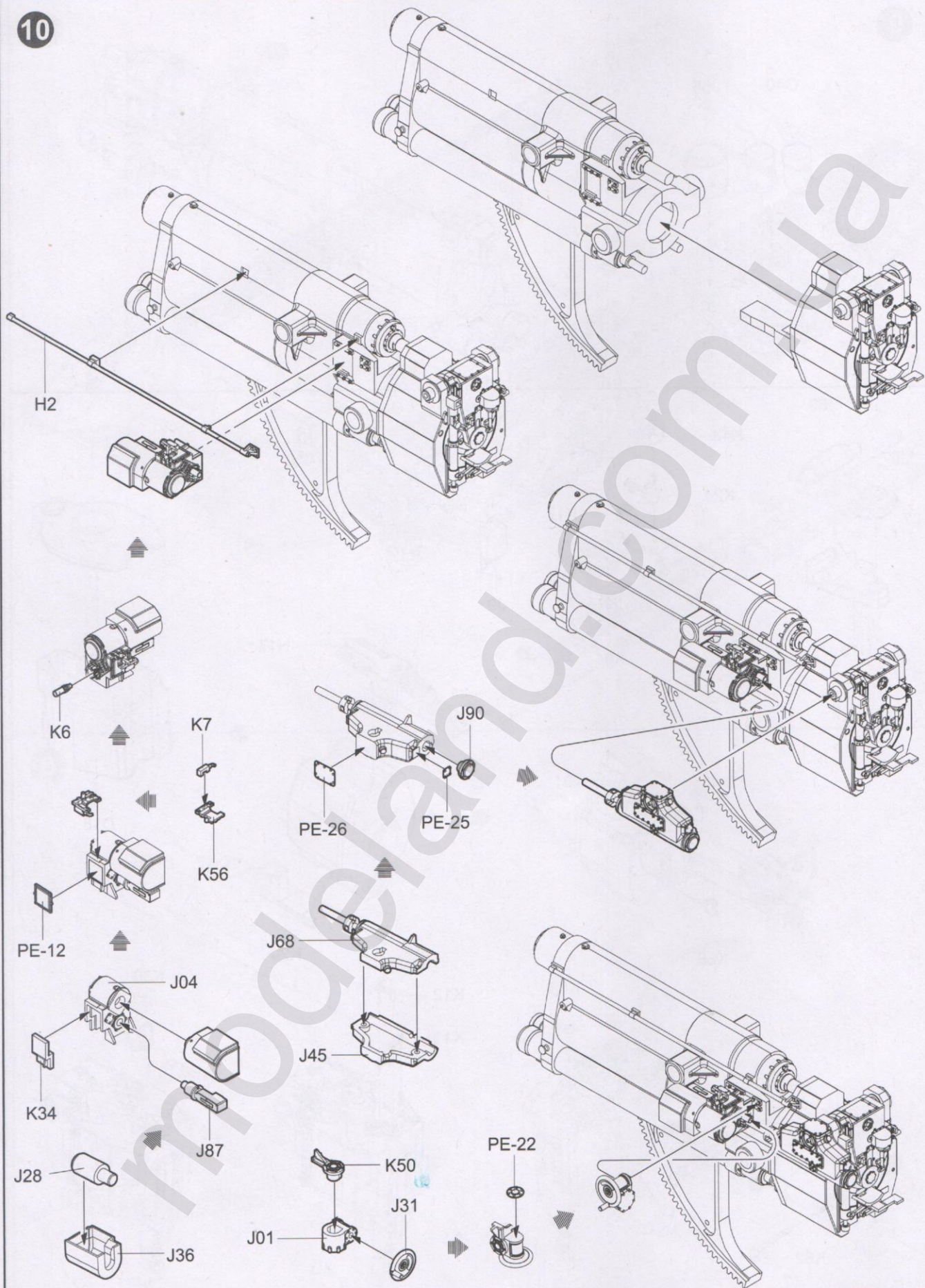


8

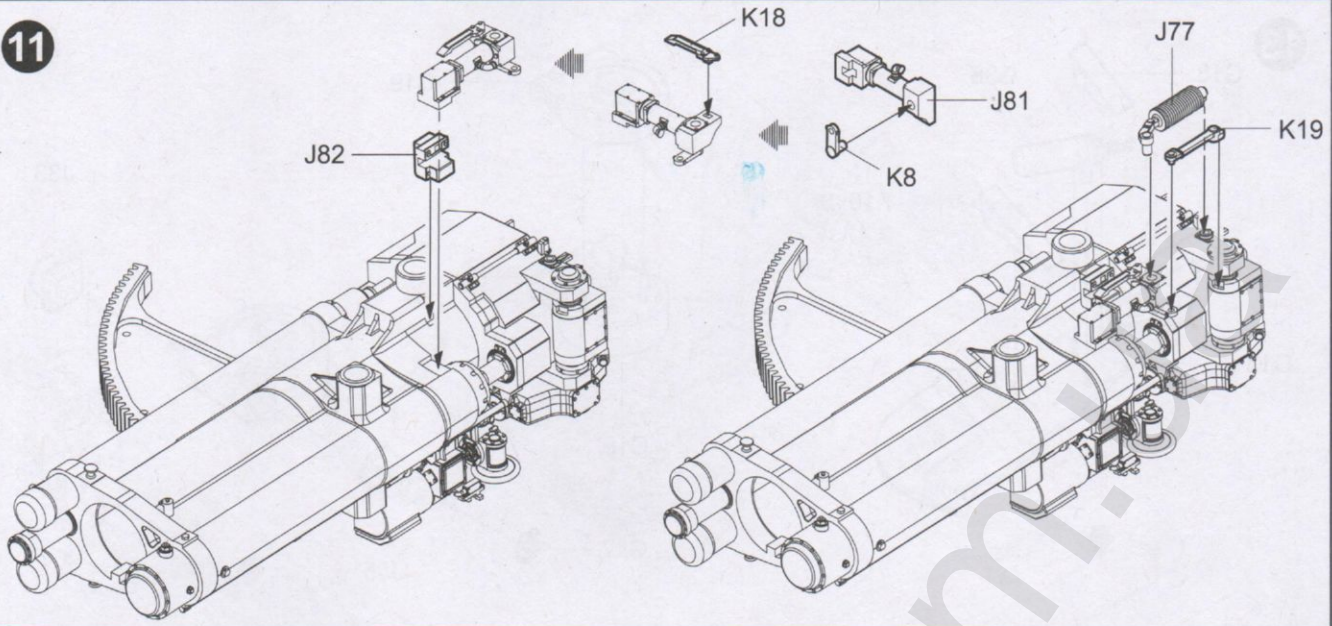


9

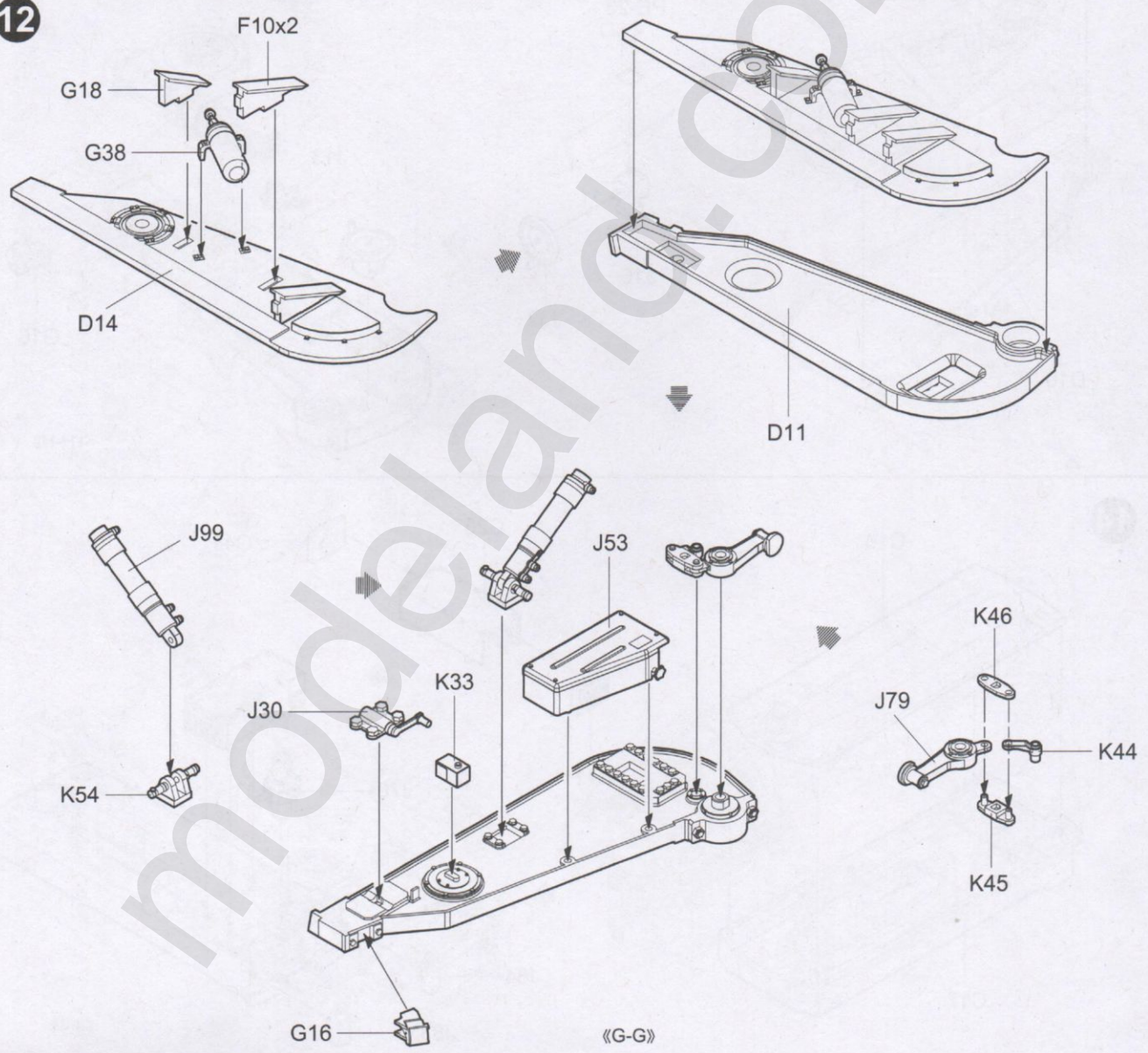




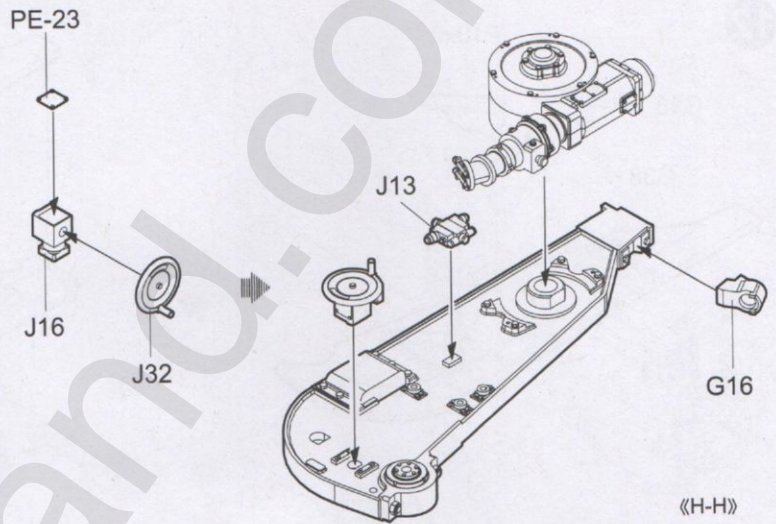
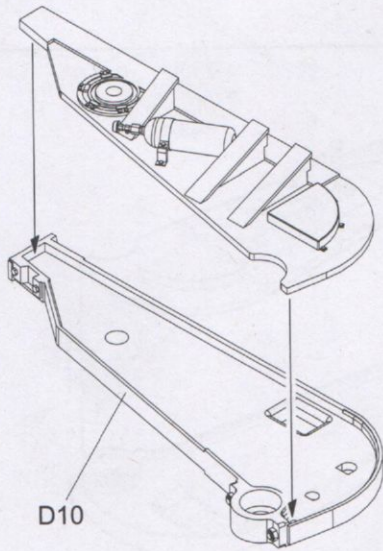
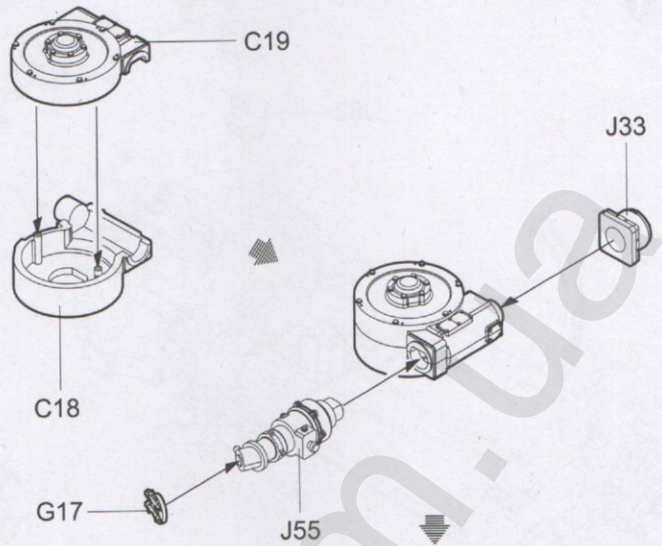
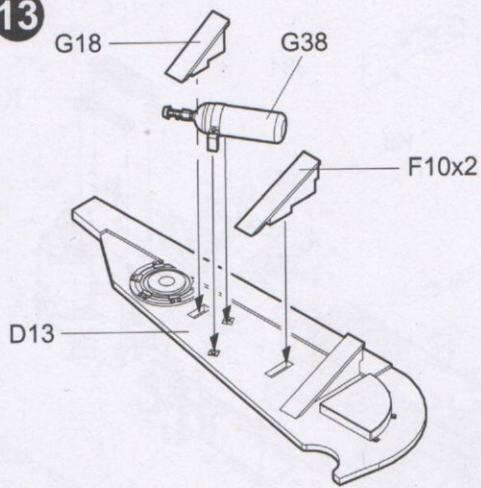
11



12

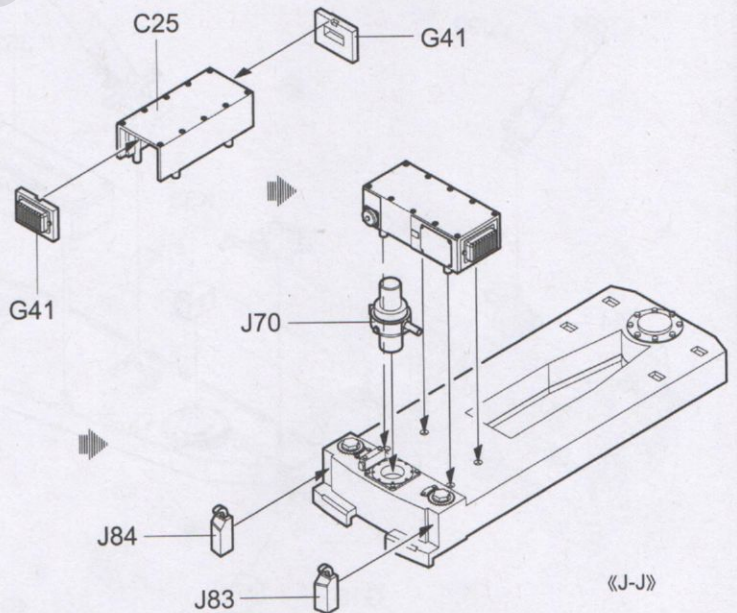
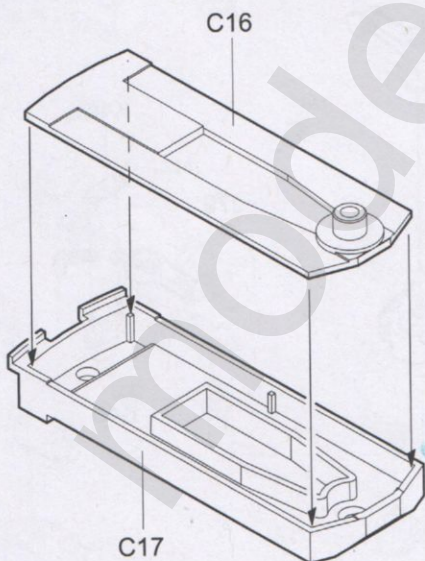


13

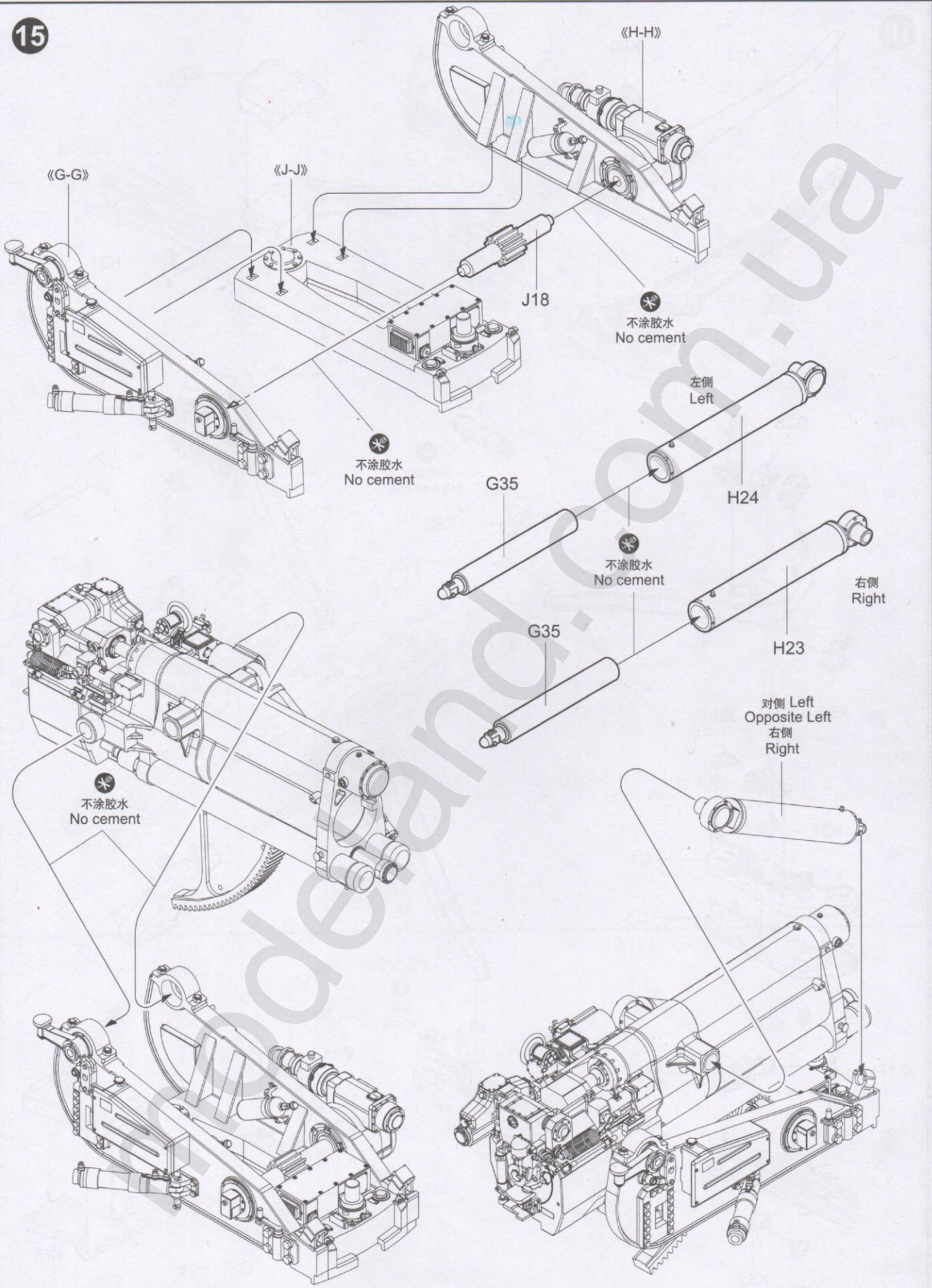


«H-H»

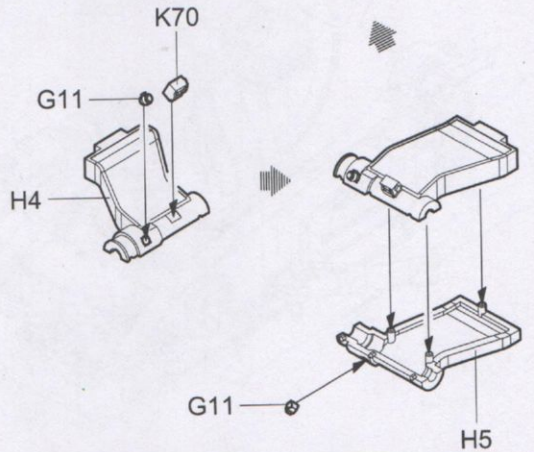
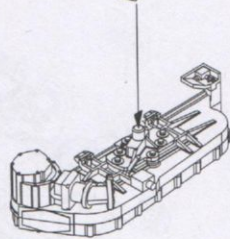
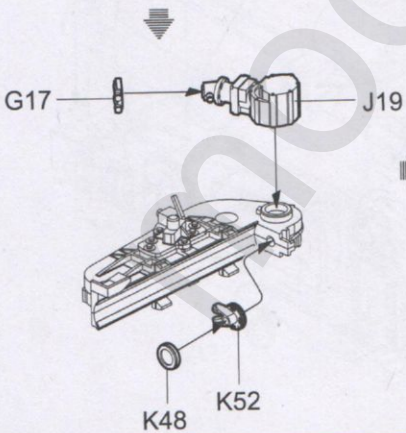
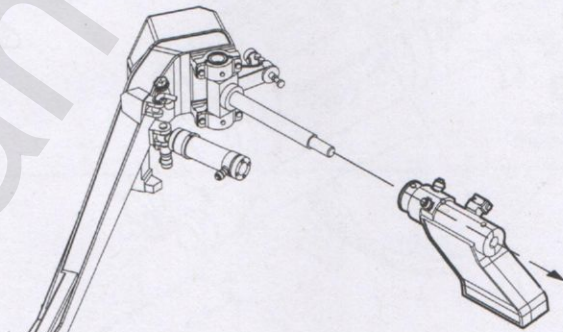
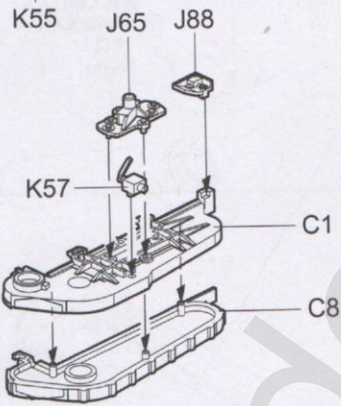
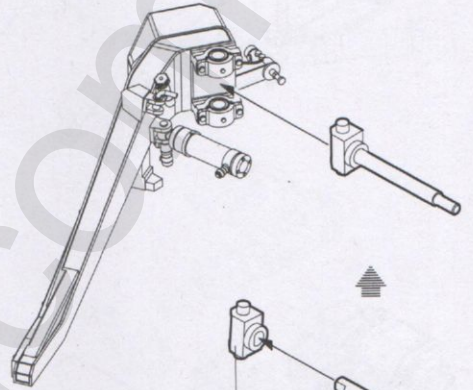
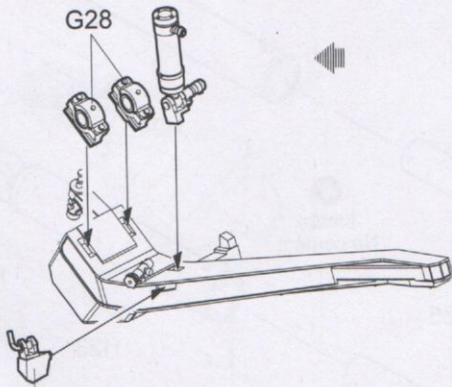
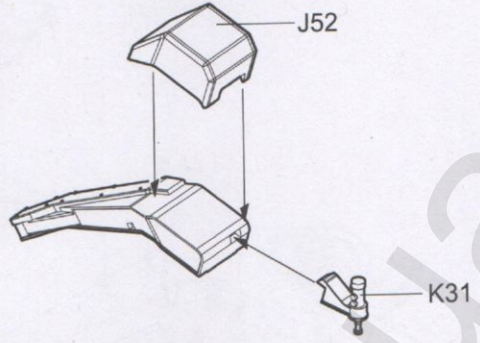
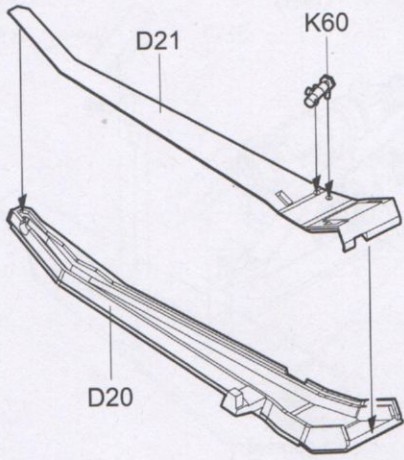
14

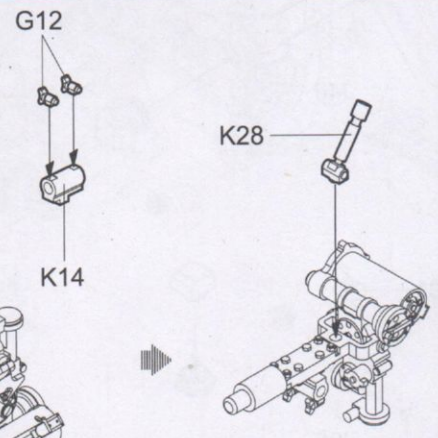
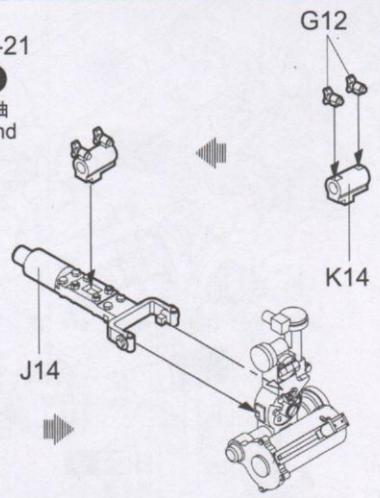
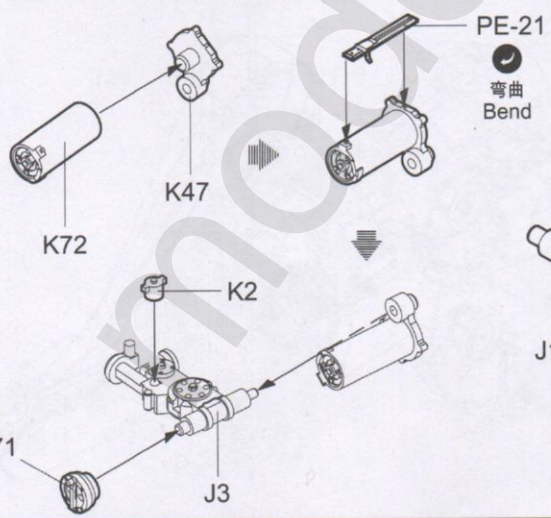
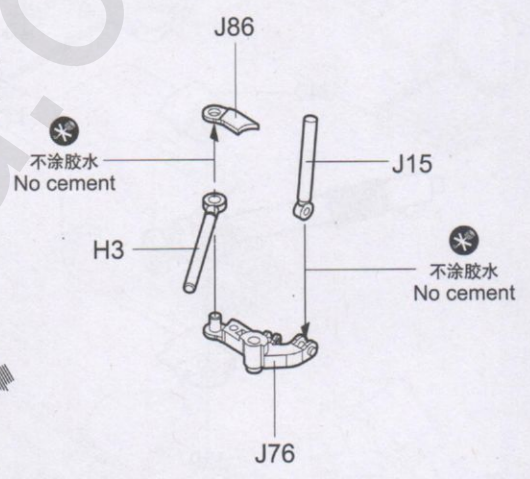
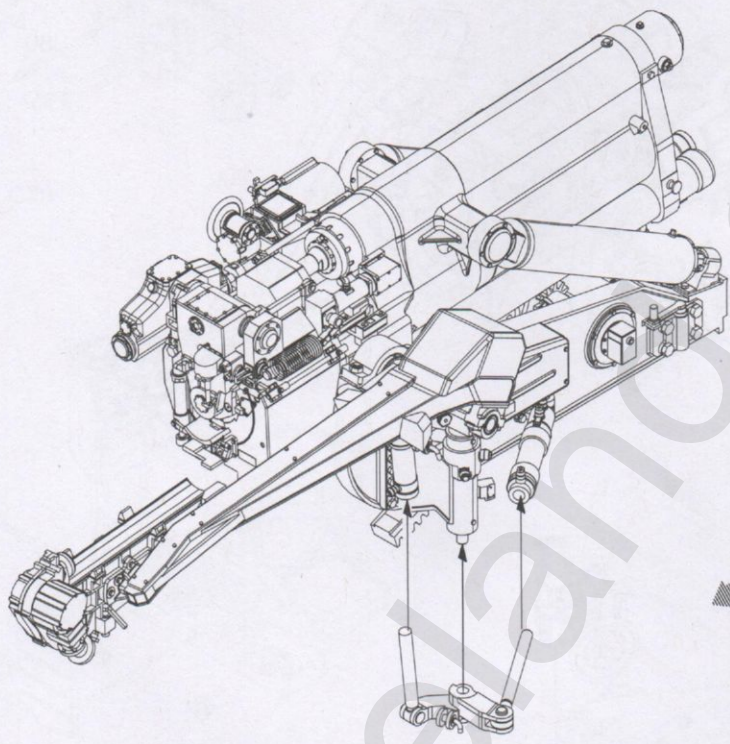
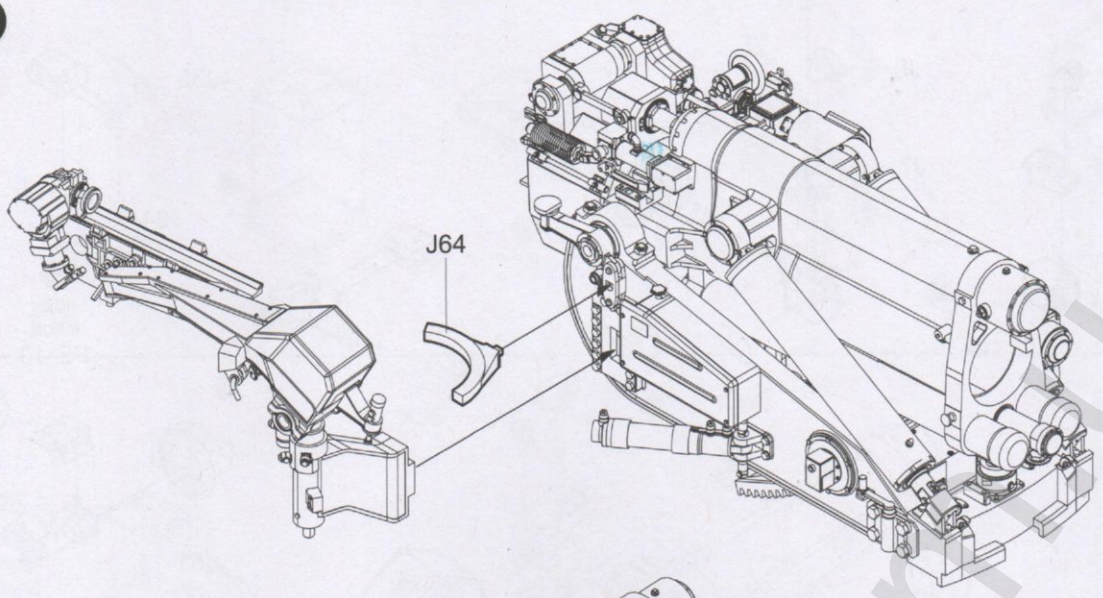


«J-J»



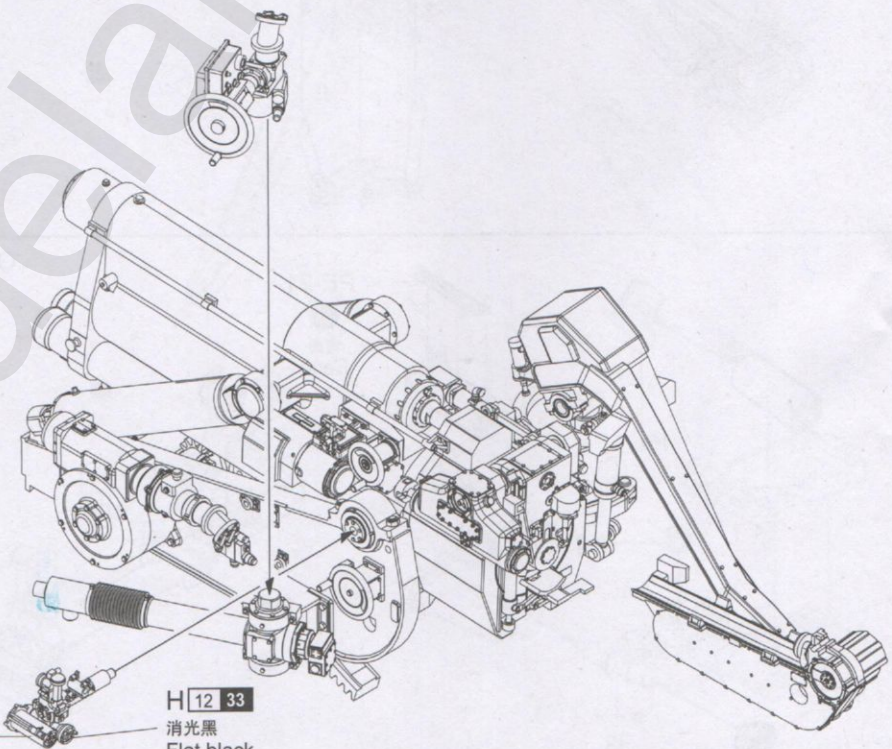
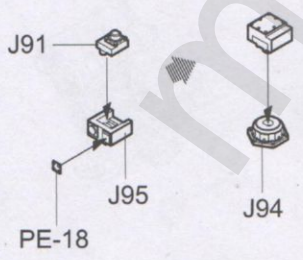
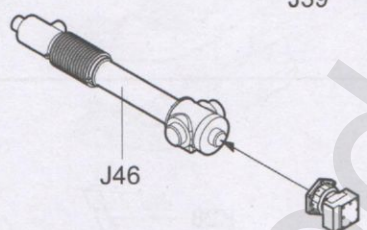
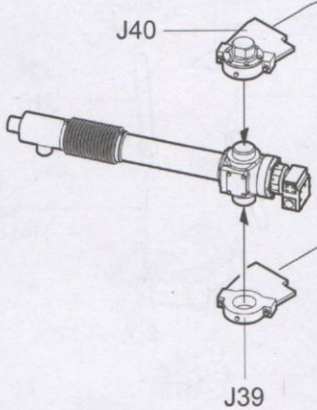
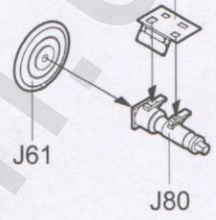
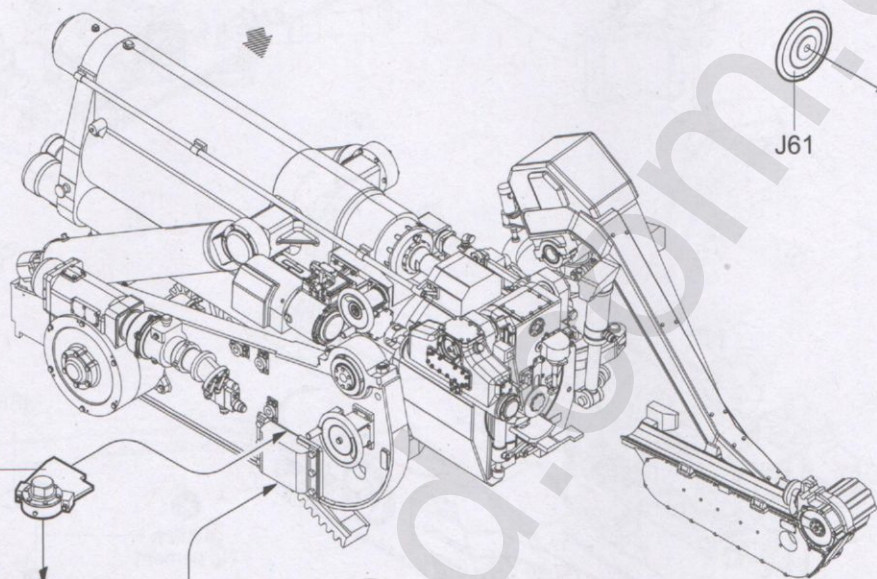
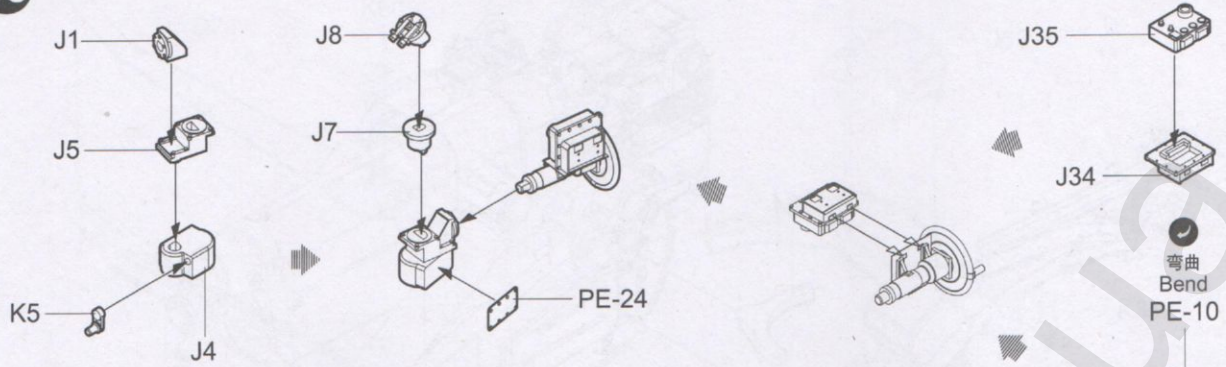
16



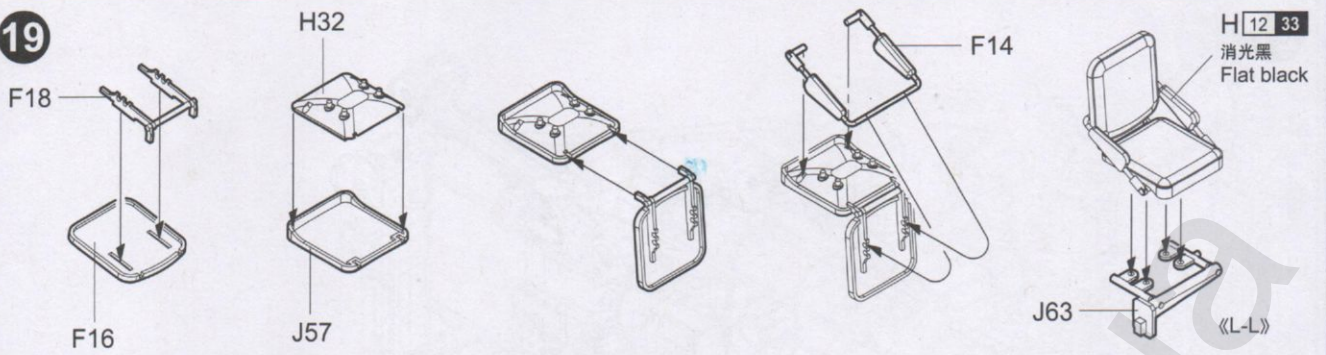


《K-K》

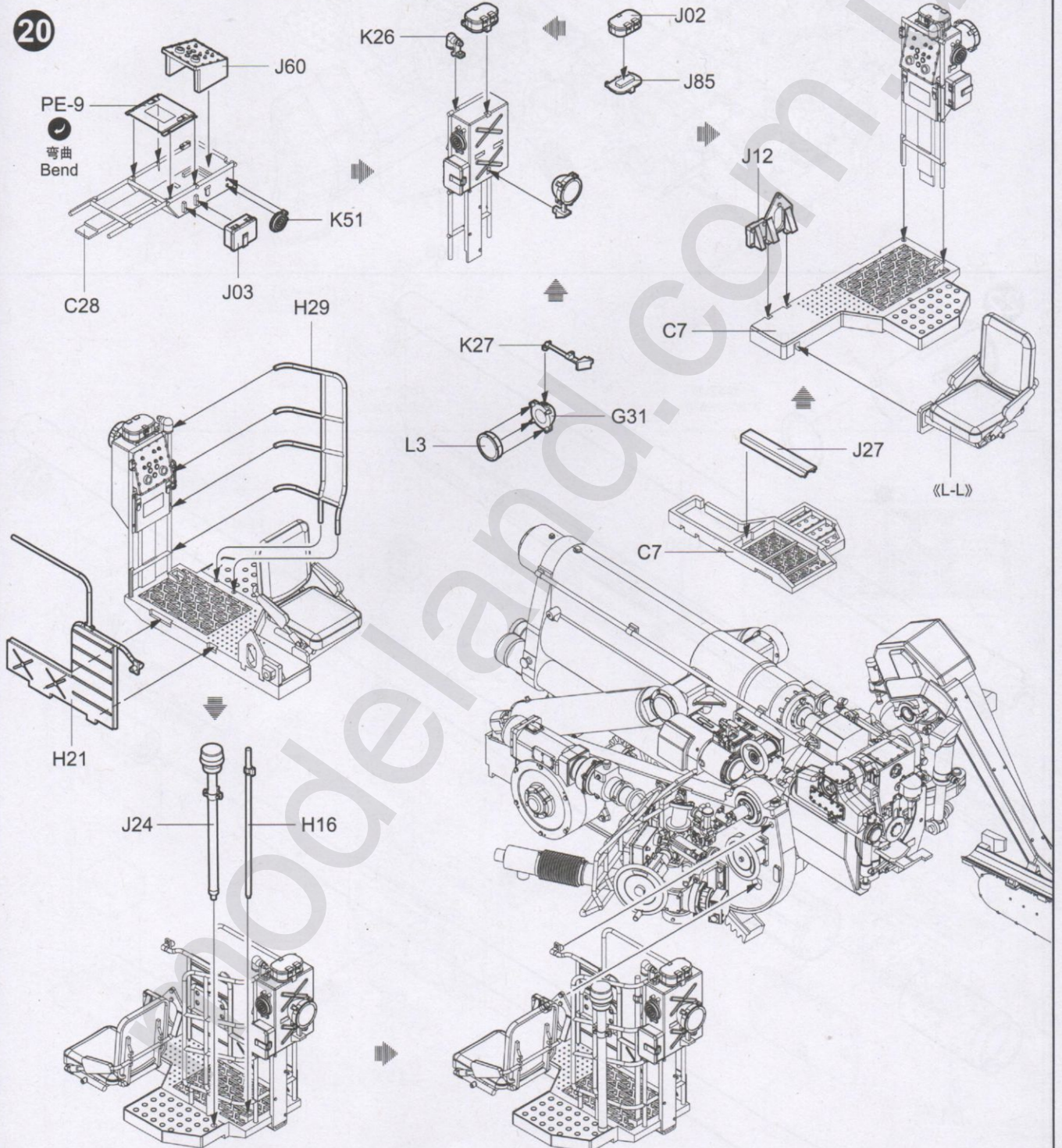




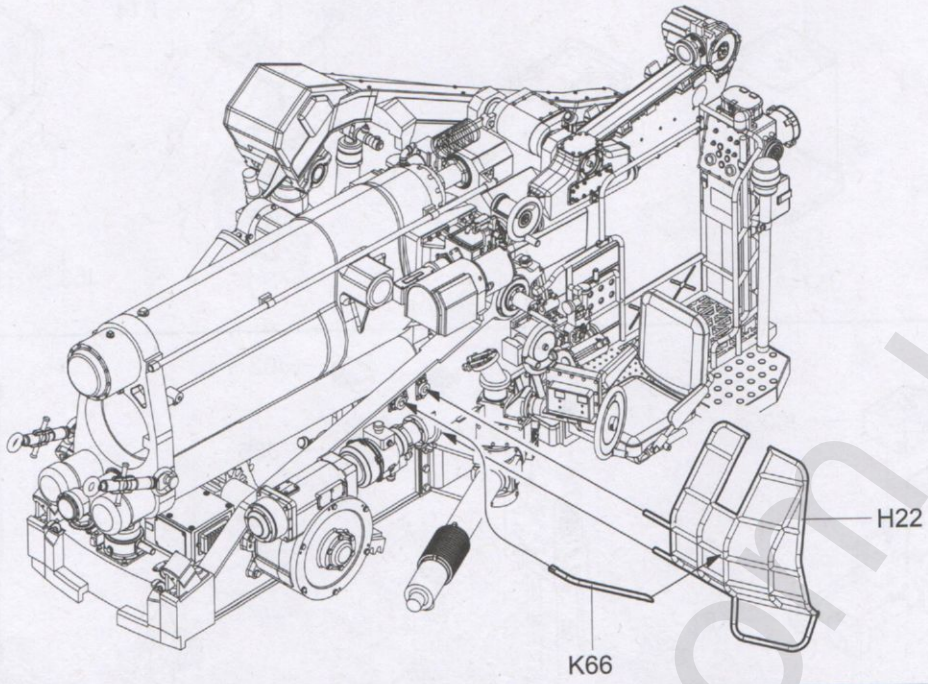
19



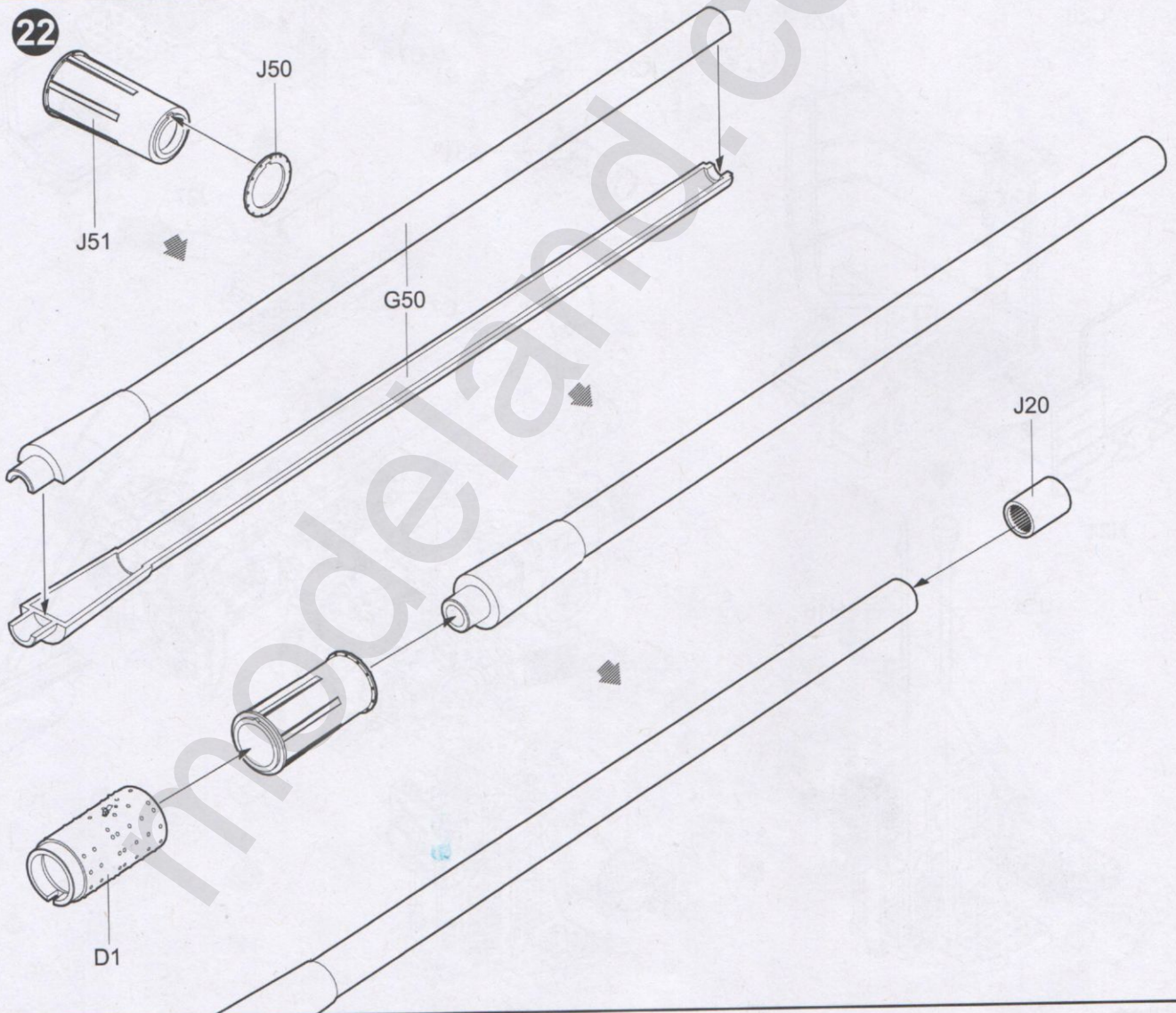
20



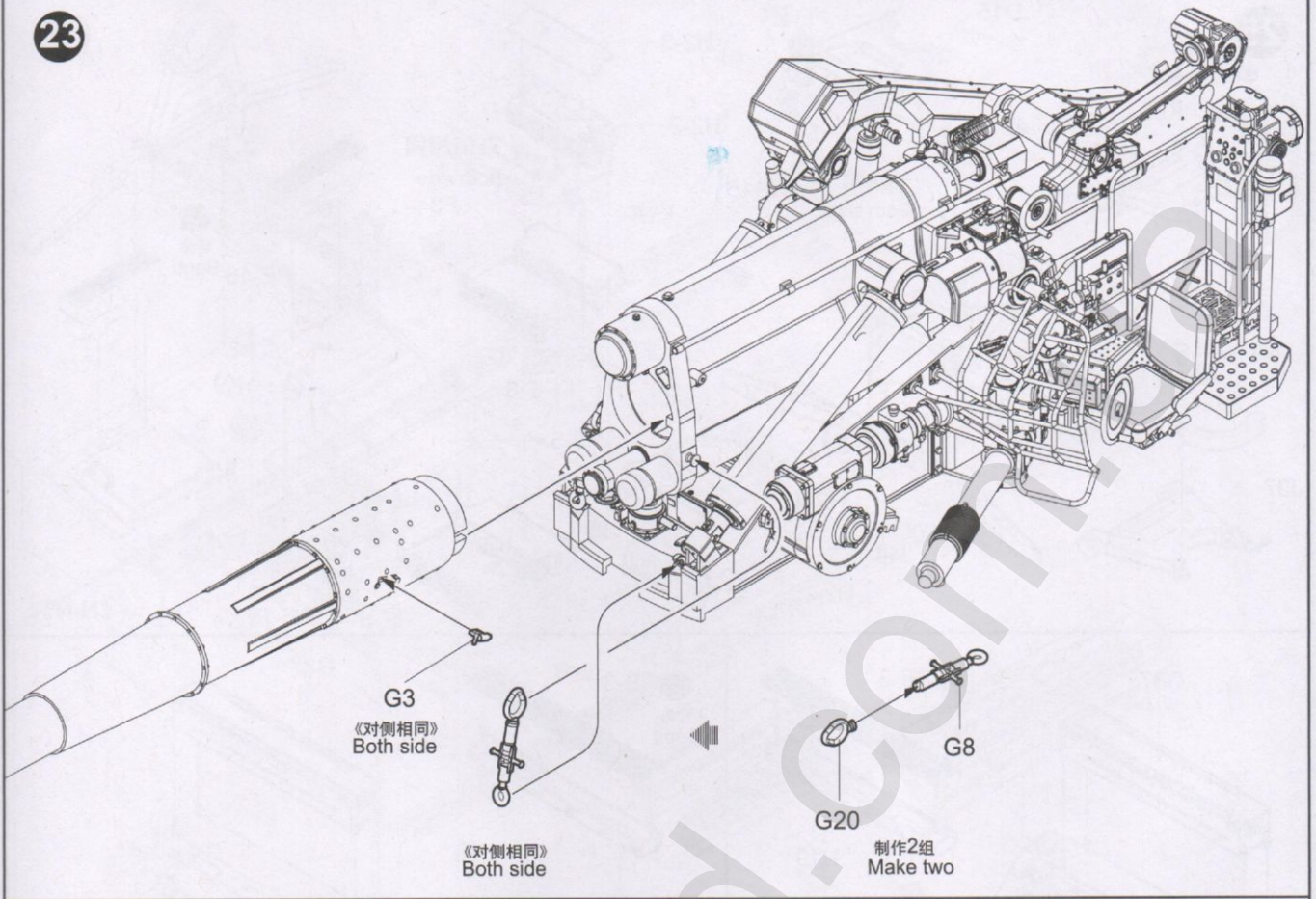
21



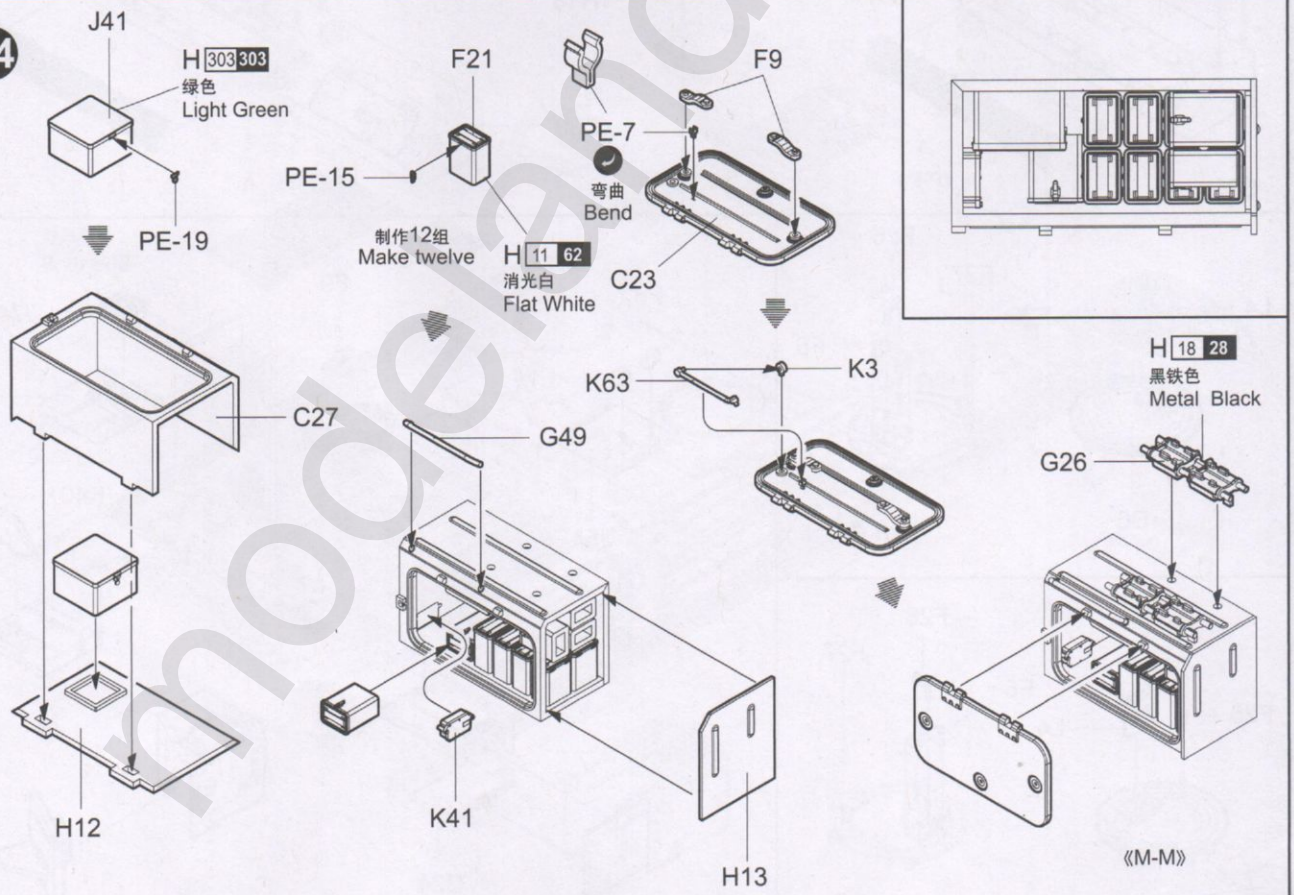
22



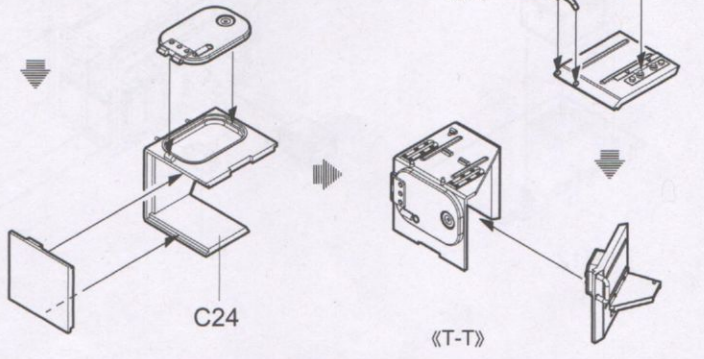
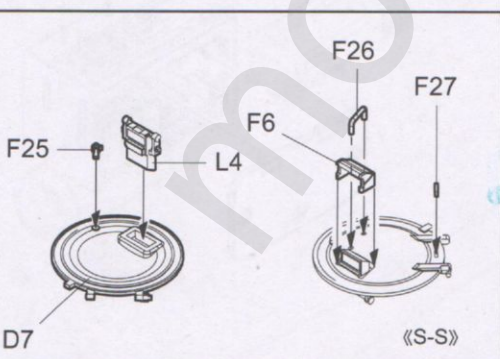
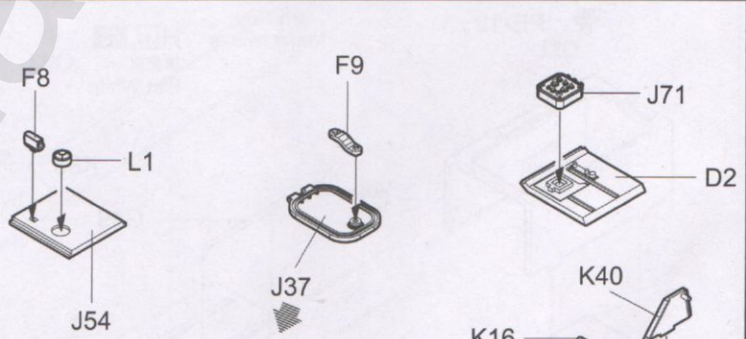
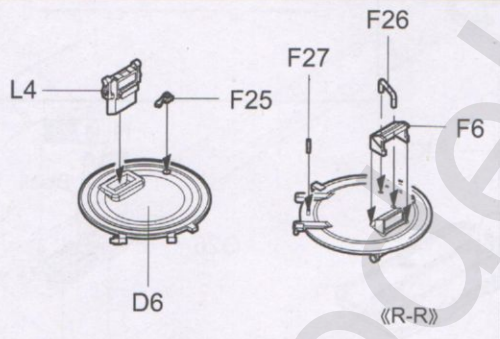
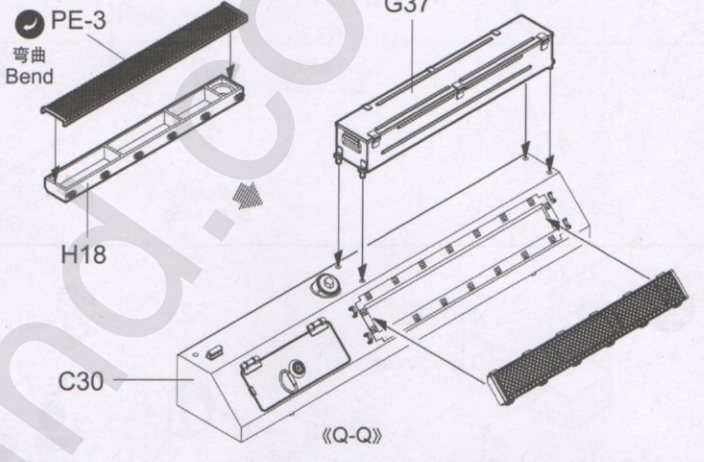
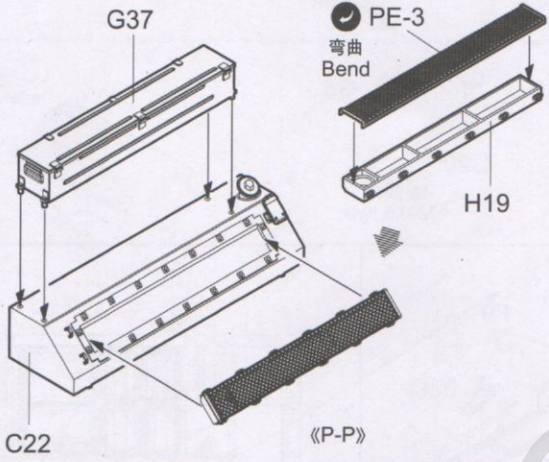
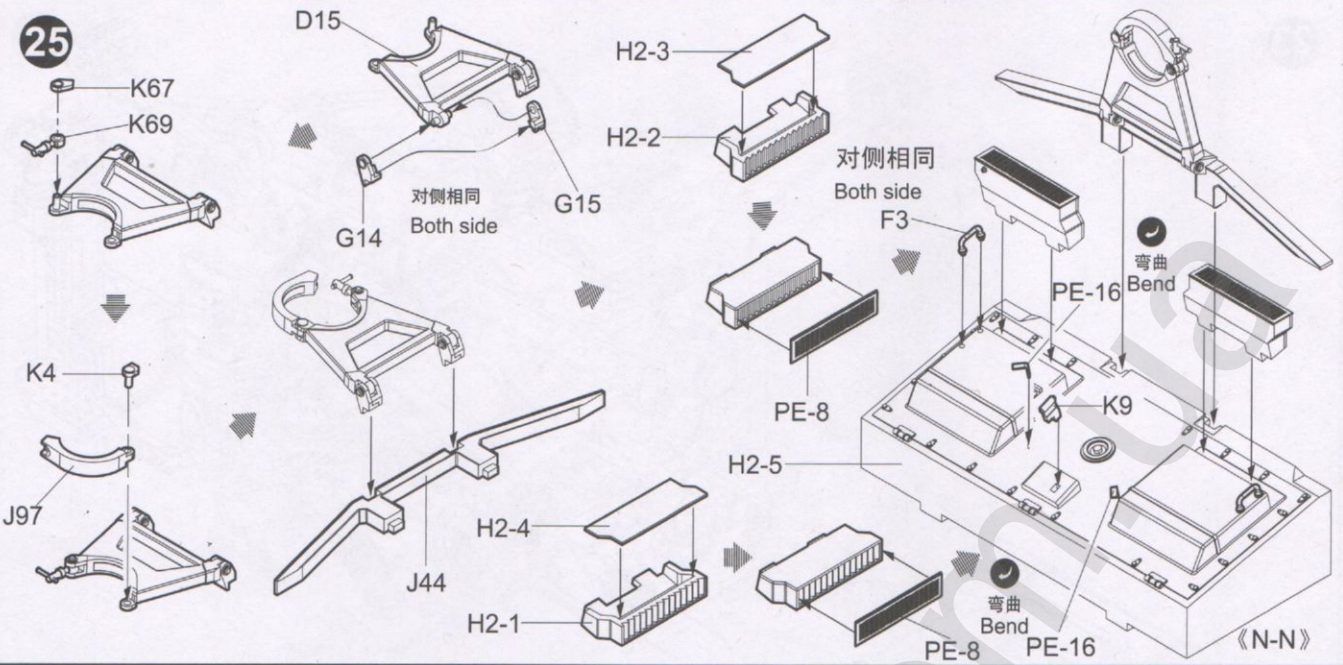
23

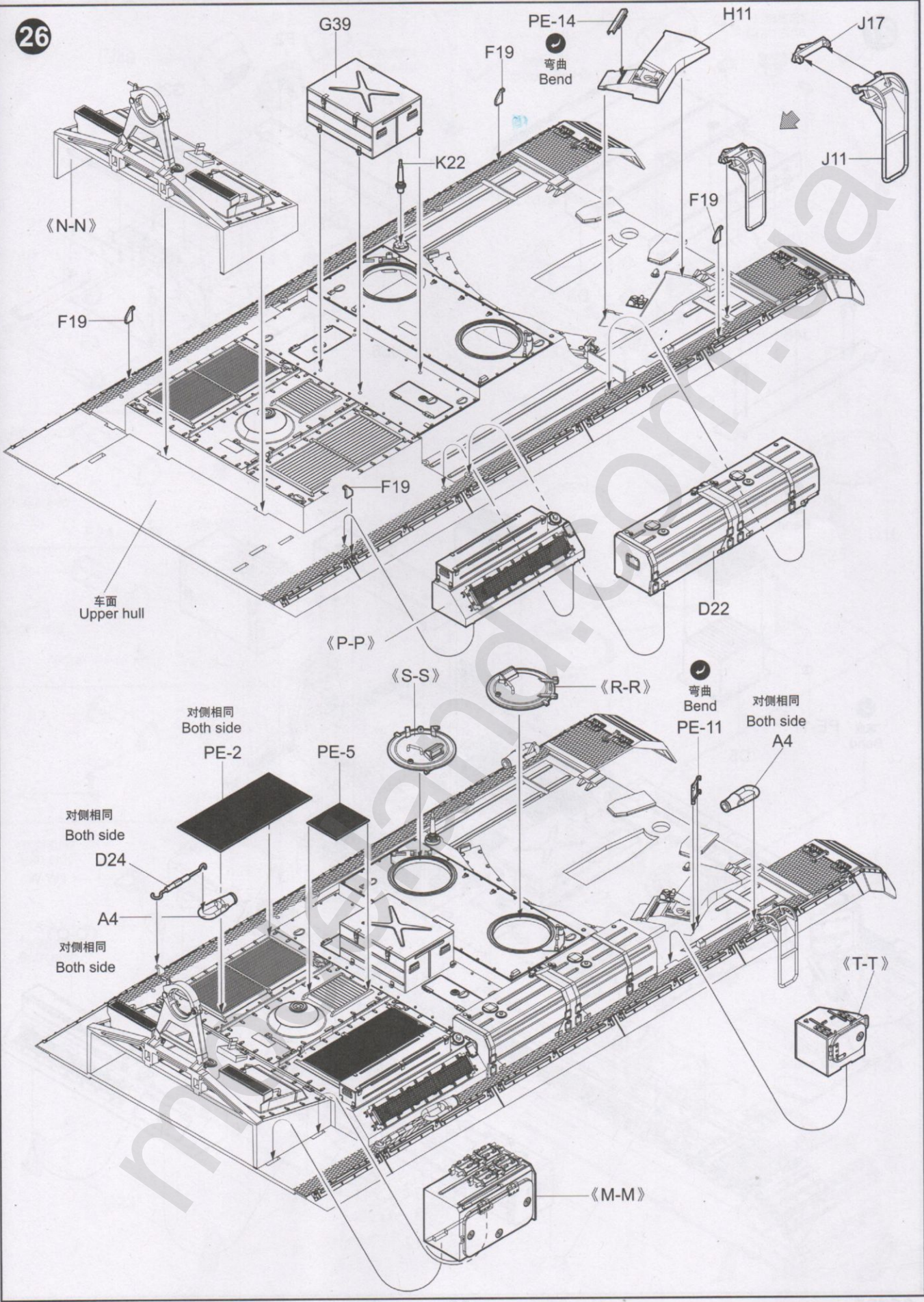


24

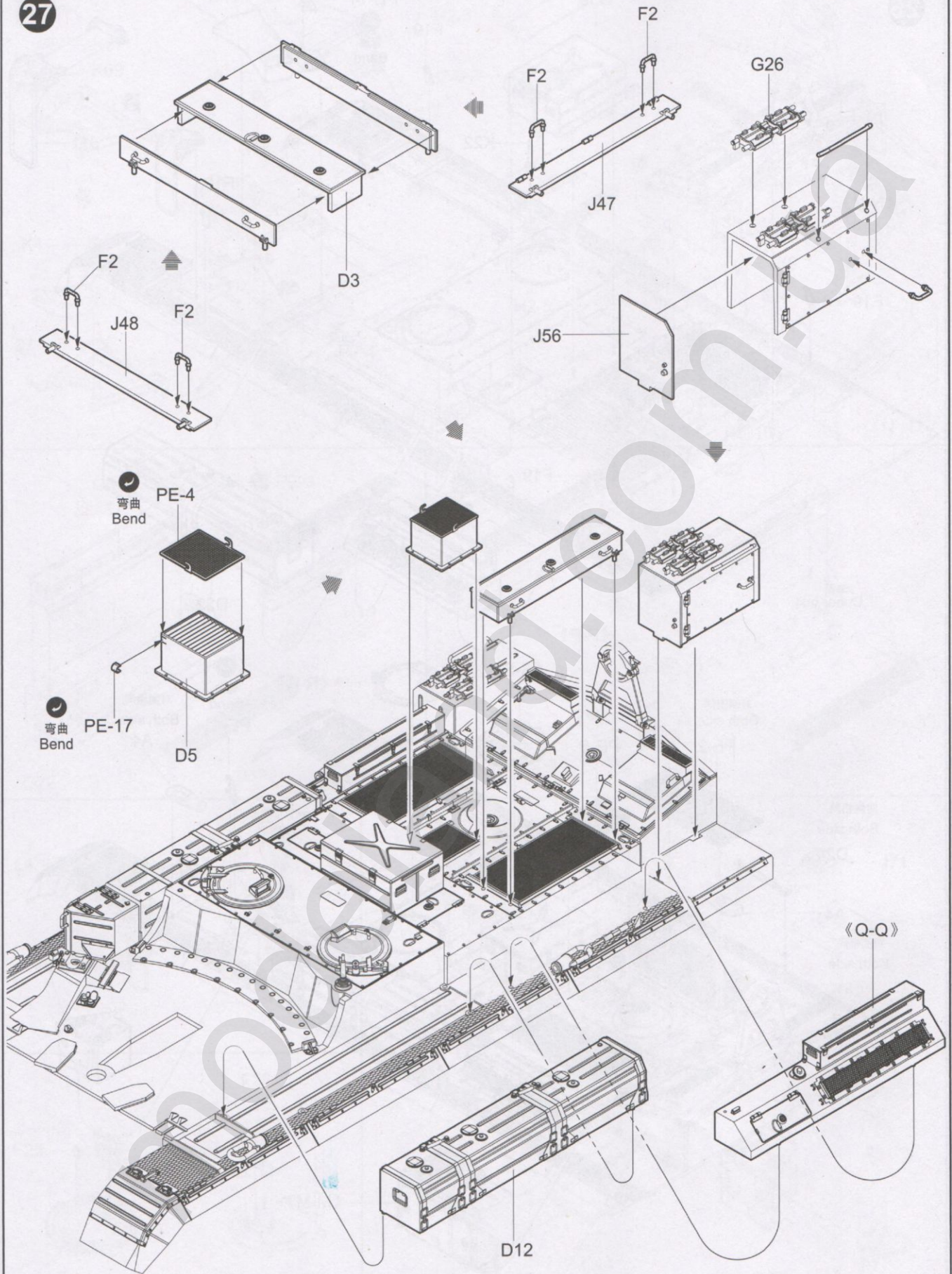


25

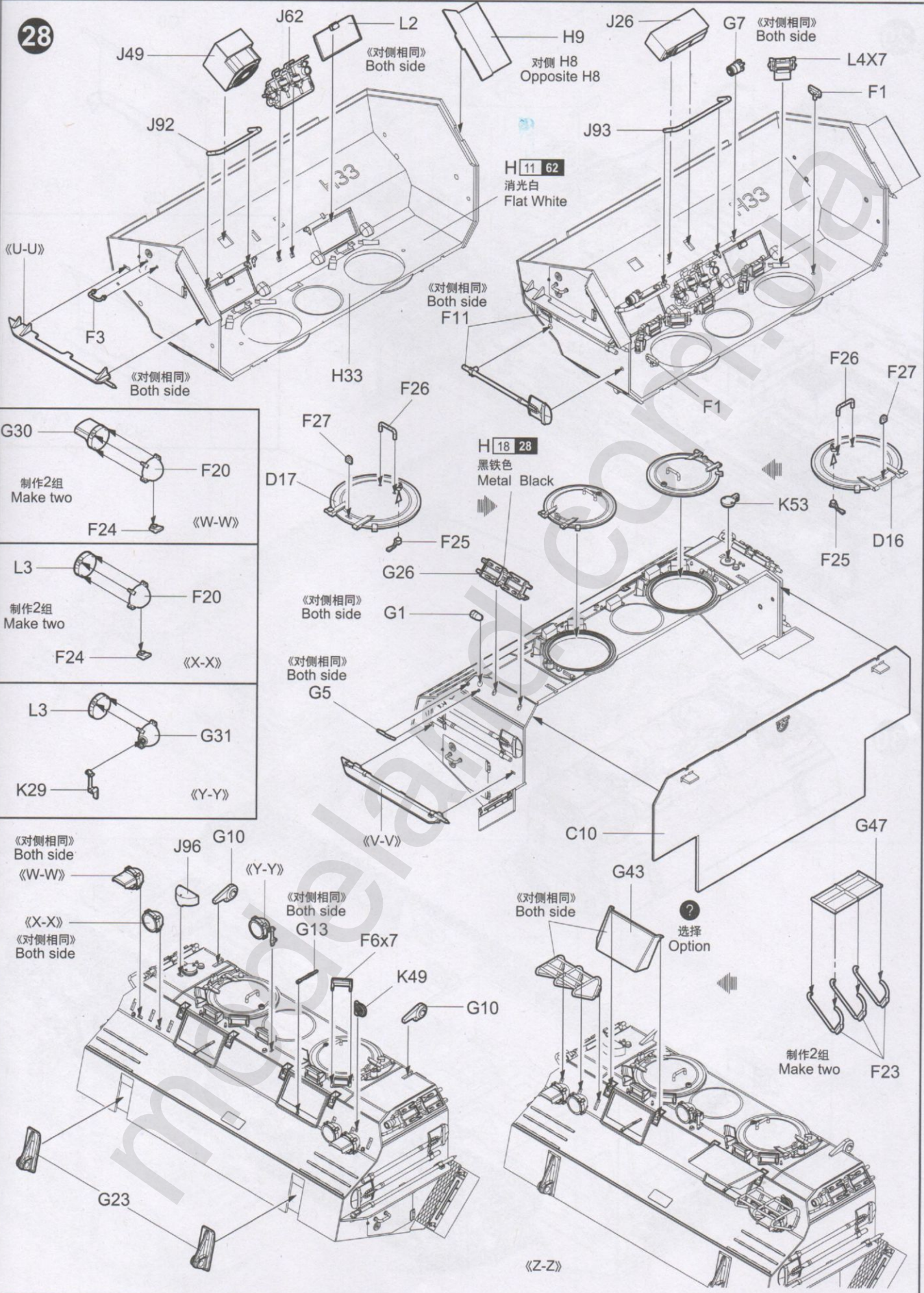




27

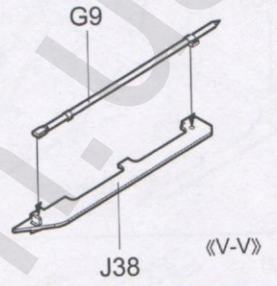
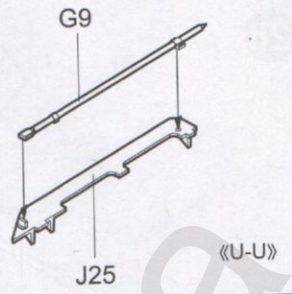
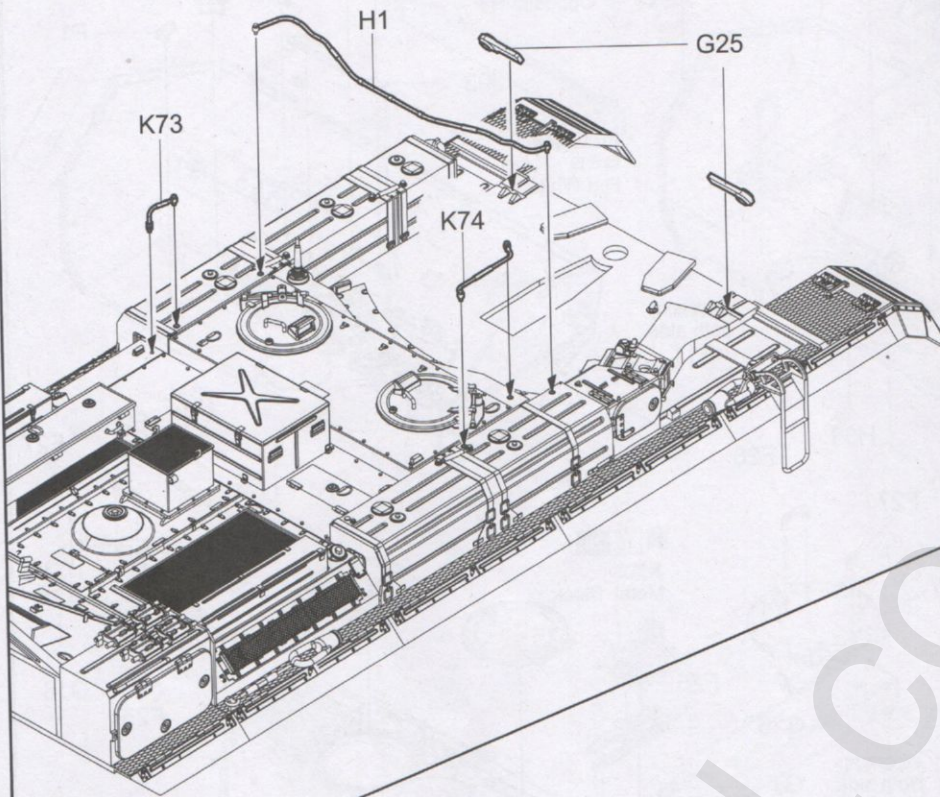


28

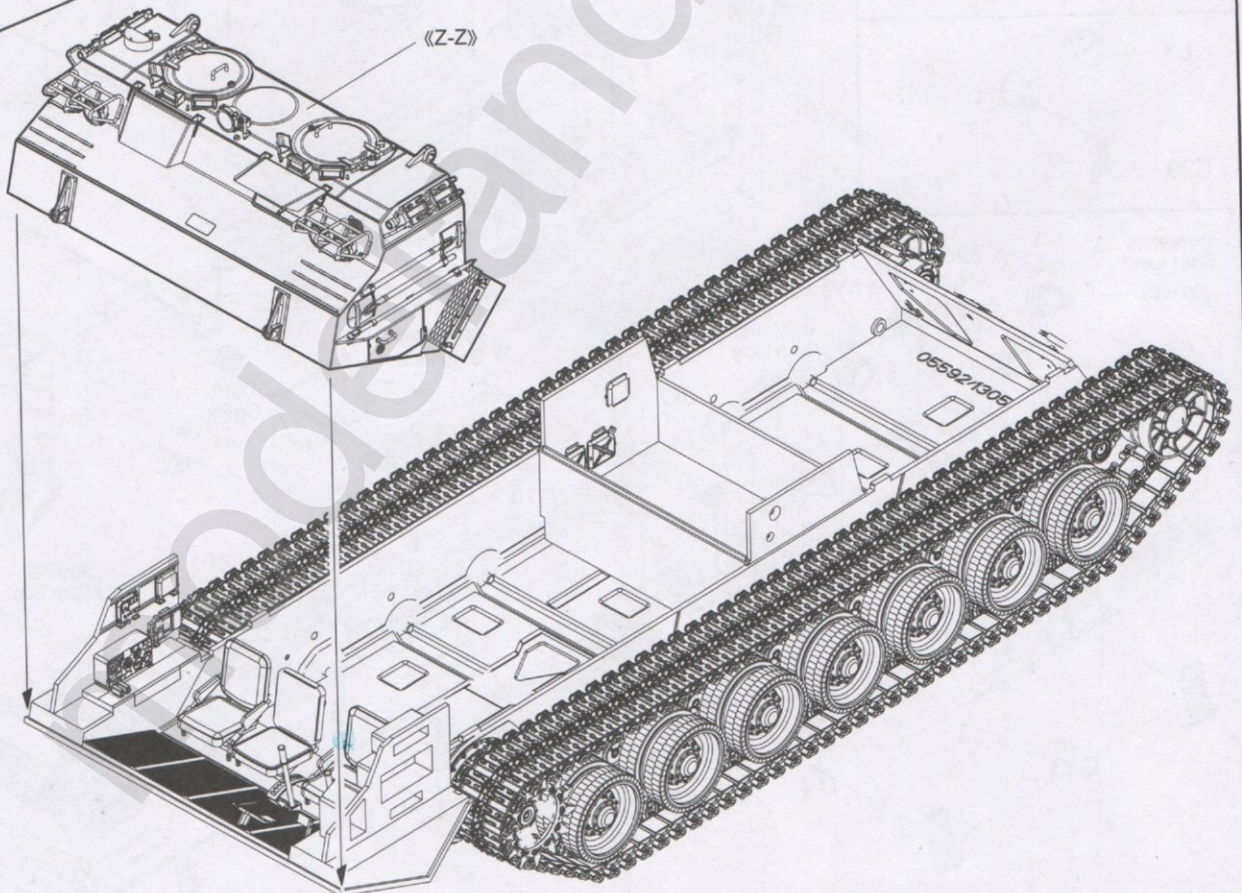


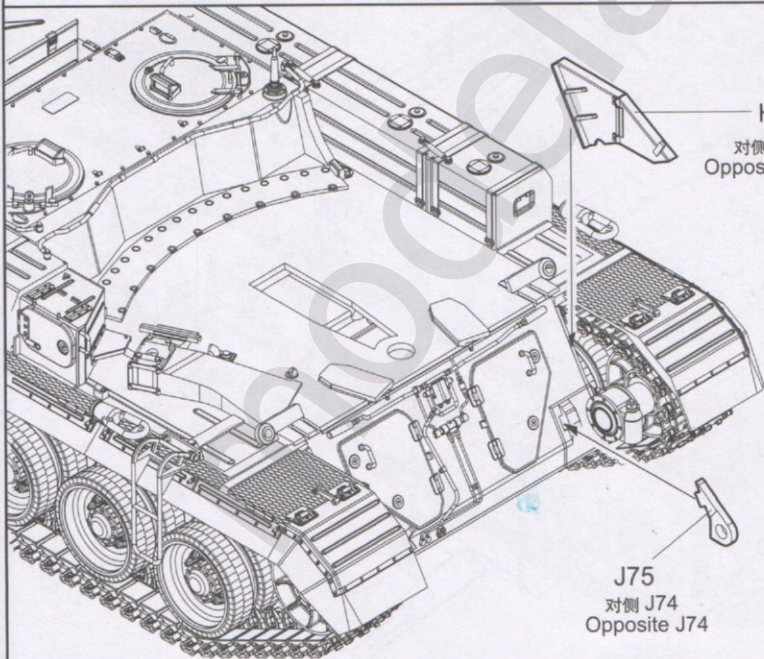
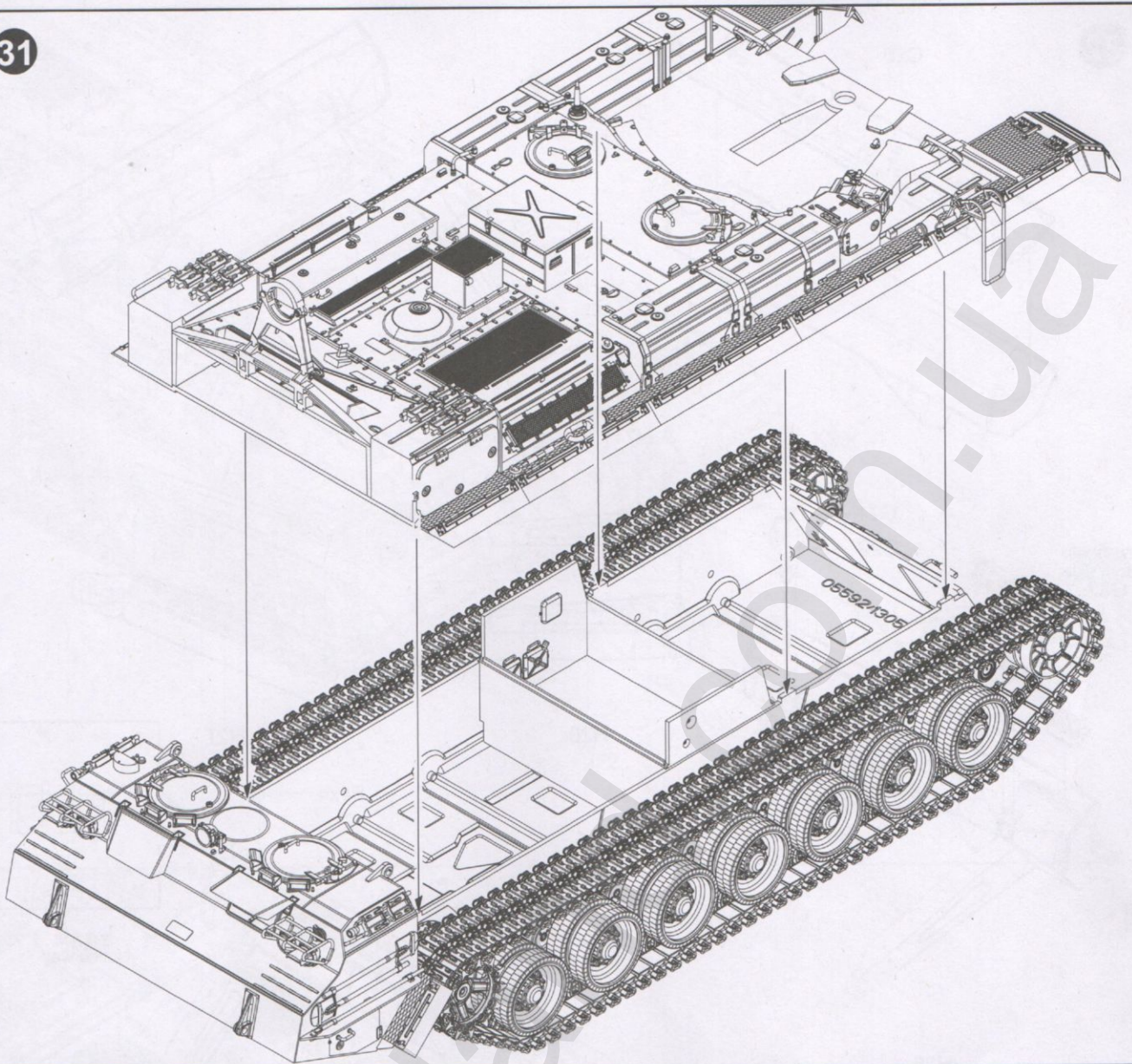


29



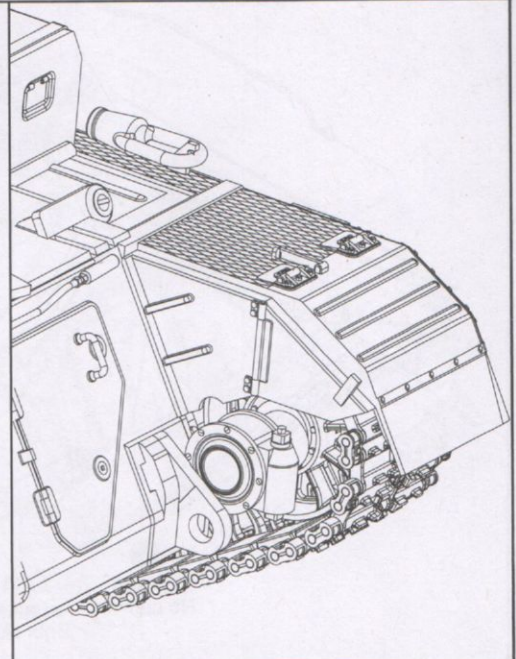
30



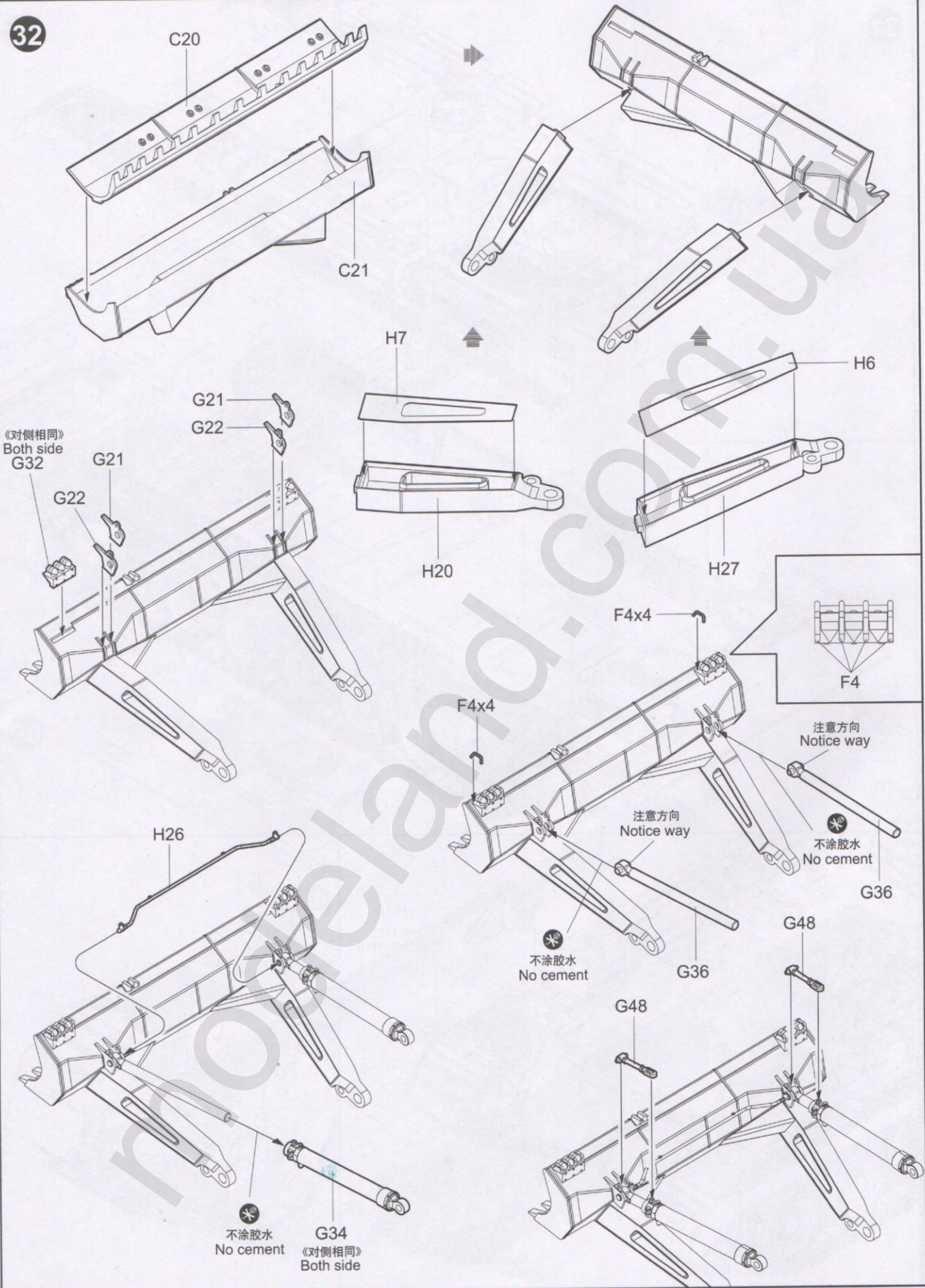


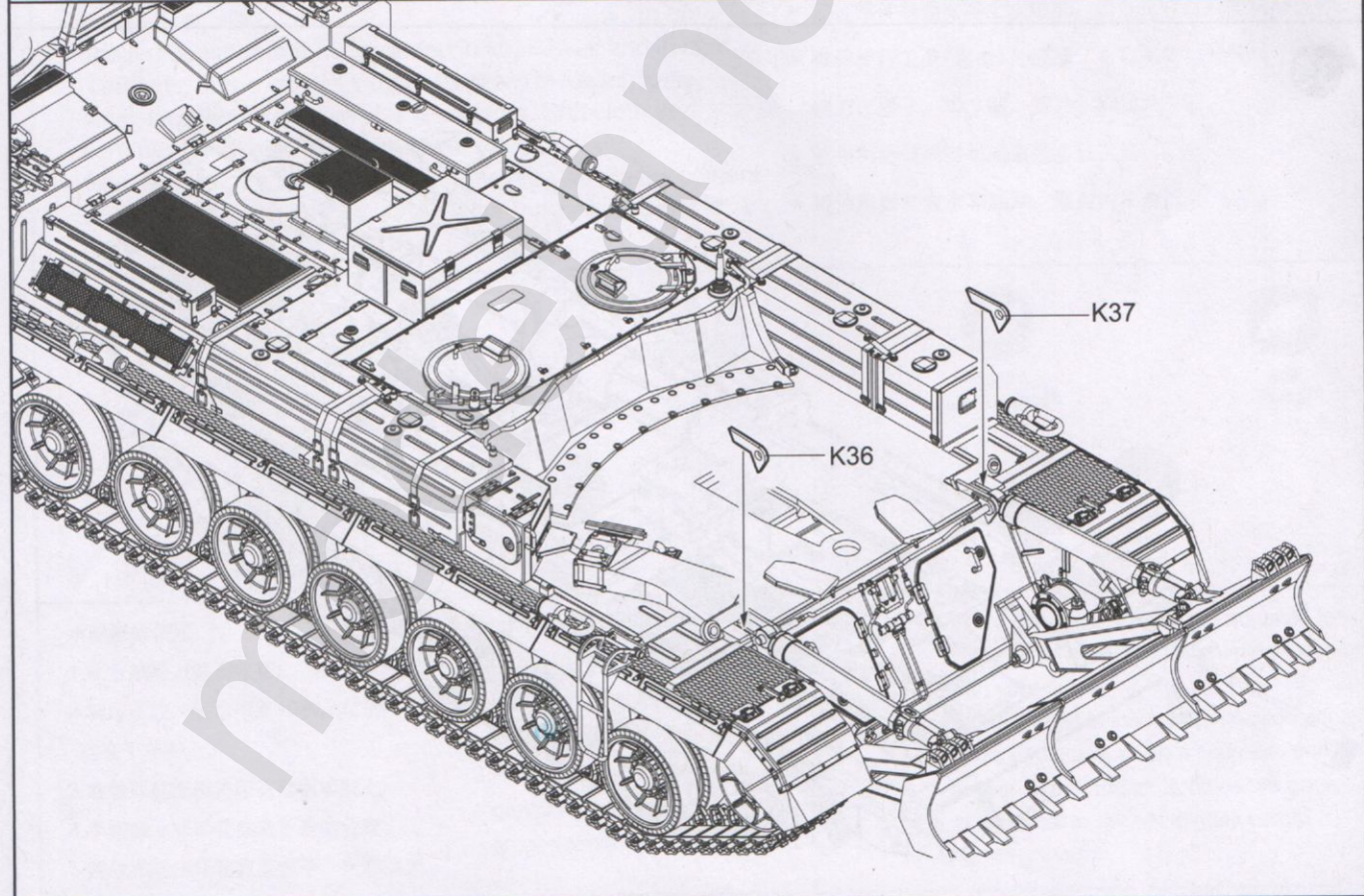
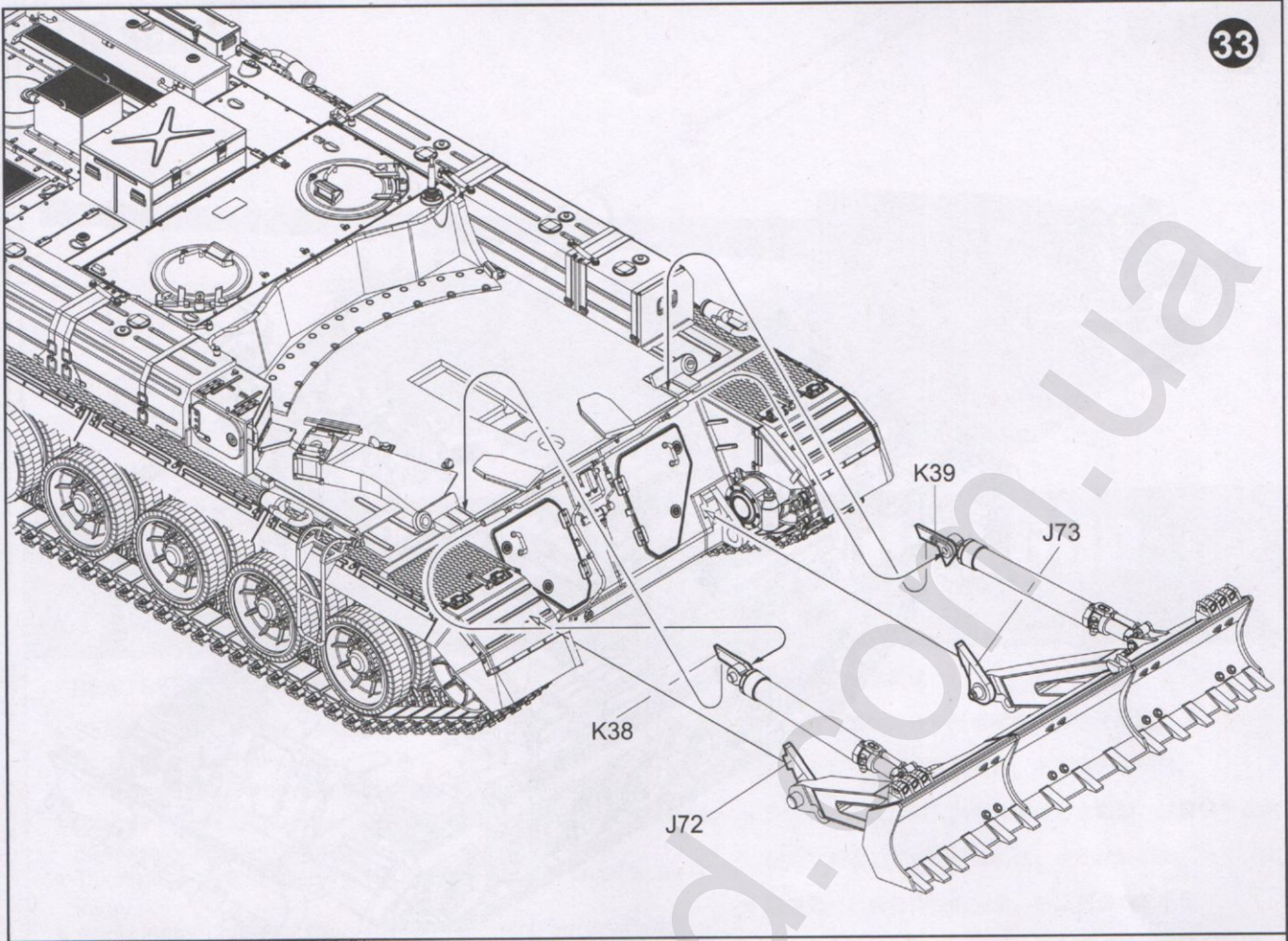
H14  
对侧 H15  
Opposite H15

J75  
对侧 J74  
Opposite J74

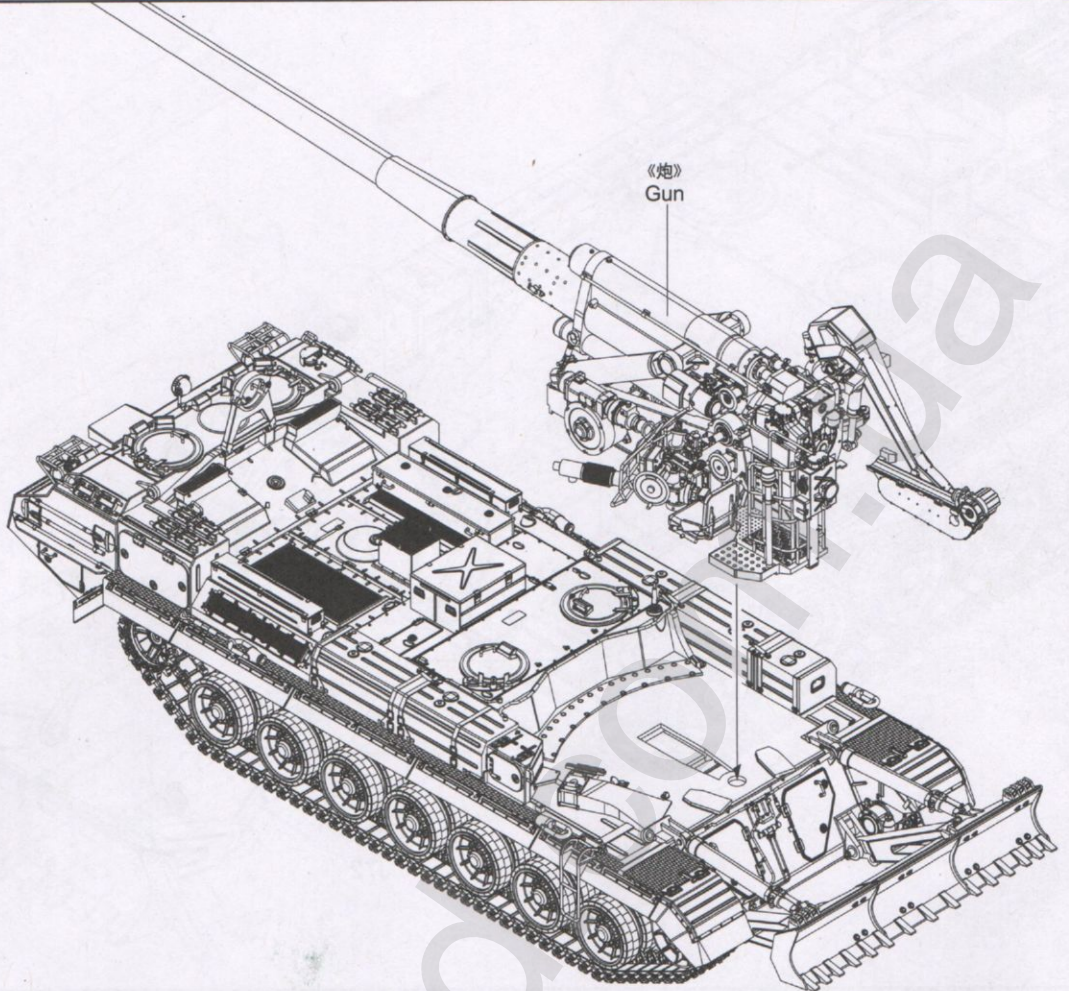


32





34



35

