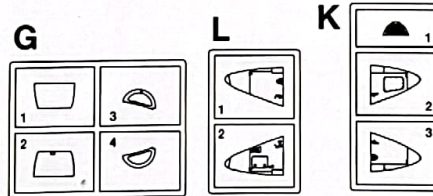
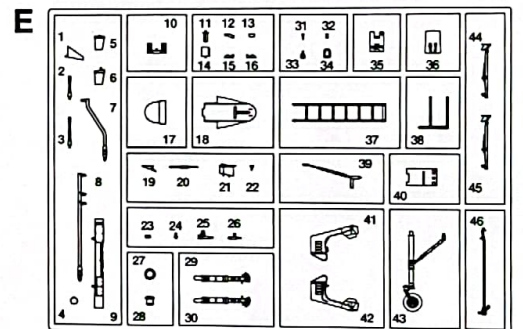
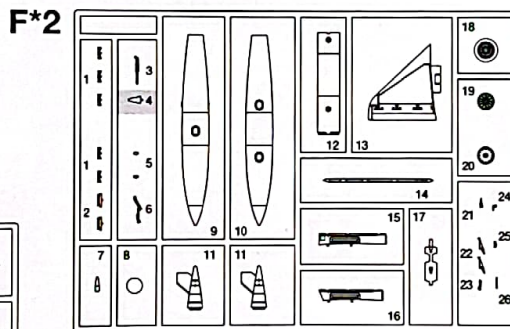
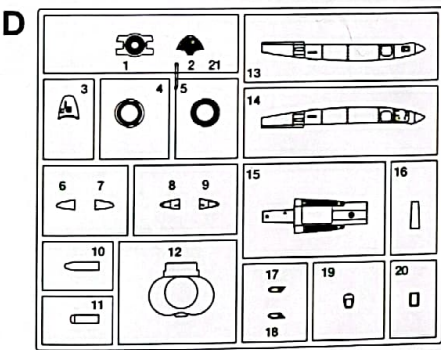
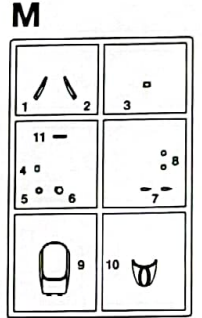
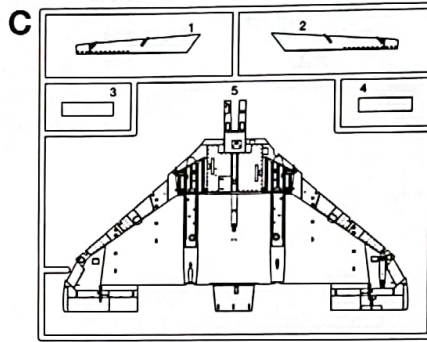
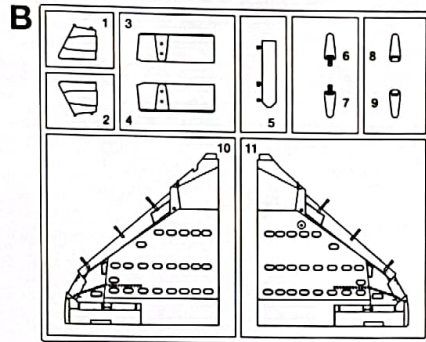
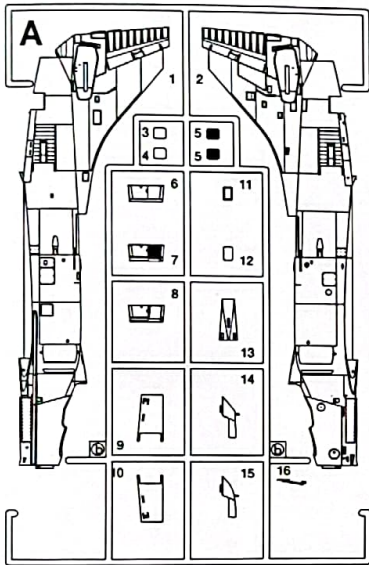


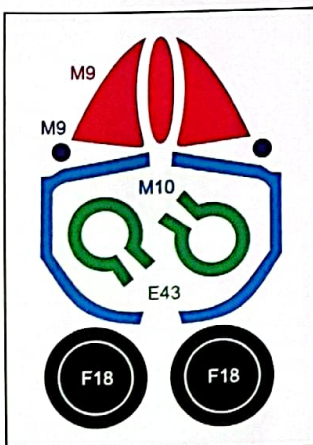


A-4C Skyhawk

48032



Painting Mask Set



Color Chart		AK Interactive	AMMO	HATAKA	Mr. COLOR	Revell	TAMIYA
Flat Black	A	RC001	046	100	033	108	XF-1
Red	B	RC005	049	103	327	330	XF-7
Silver	C	RC210	195	003	008	190	X-11
Steel	D	AK476	191	189	028	191	X-11
Tyre Black	E	RC022	033	040	137	106	XF-85
Green	F	RC012	052	327	312	364	X-5
Burnt Metal	G	RC015	187	016	061		XF-84
Clear Red	H	RC503	093	CC01	047	731	X-27
Clear Blue	I	RC504	098	CC02	050	752	X-23
Khaki Green	J	RC033	056	064	054	065	XF-51
Yellow	K	RC007	048	104	329	012	XF-3
FS36231 Dark Gull Gray	L	RC247		044	317	143	
FS17875 Insignia White	M	RC222	047	049	316	104	X-2
FS16440 Gray	N	RC220	241	048	315	176	

ASSEMBLY INSTRUCTION

Bauanleitung

Istruzioni di Assemblaggio

Instructions de Montage

Instrukcja Montażu

Instrucciones de Montaje
Montážní Instrukce

★ APPLY DECAL
APPLICARE DECALCOMANIE
HEAR ABZIEHBILD
PONER CALCOMANIA
KALKOMANIA
APPLIQUER DECALCOMANIE
POUŽITĚ OBTISK

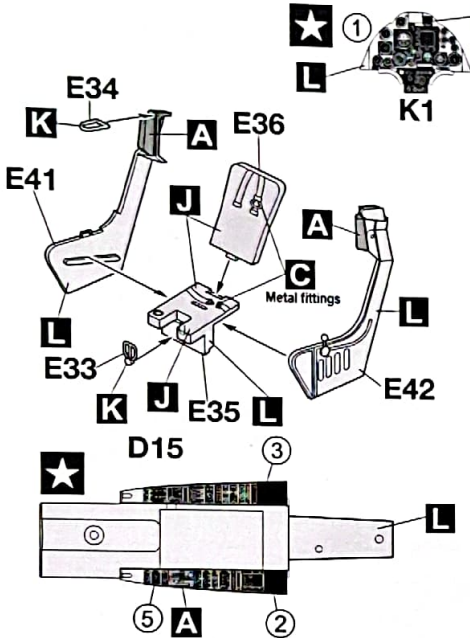
■ REMOVE
RETIERER
ENTFERNEN
CORTAR
WYCIĄC
SEPARARE
ODSTRANIT

↔ OPTION
FACULTATIF
NACH BELIEBEN
HACER AQUJERO
DO WYBORU
FACOLTATIVO
VOLBA

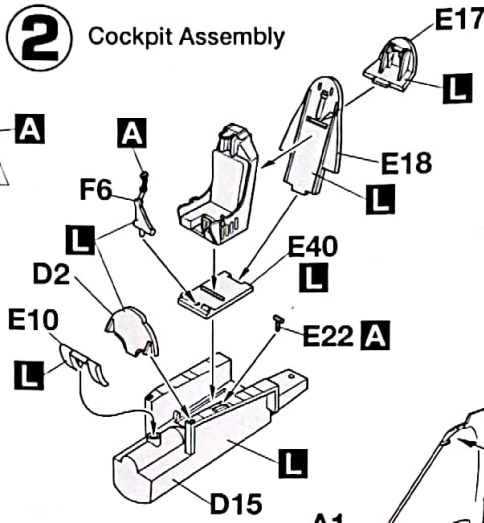
⏏ OPEN HOLE
FORO APERTO
OFFNEN
HACER AQUJERO
WYKONAC OTWÓR
FAIRE UN TROU
VYVRTAT OTVOR

⏏ FILL HOLE
FORO PIENO
SCHLIESSEN
EMPUJE EL AQUJERO
ZAMKNAĆ OTWÓR
BOUCHER LE TROU
ZAKRYJTE OTVOR

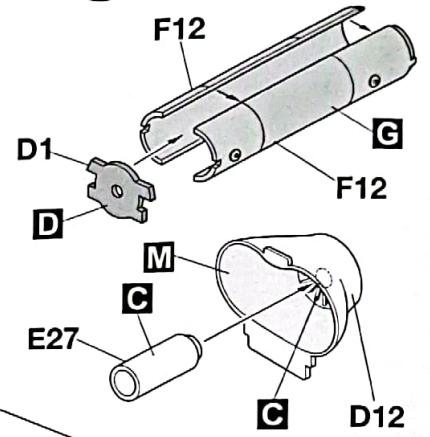
1 Seat Assembly



2 Cockpit Assembly

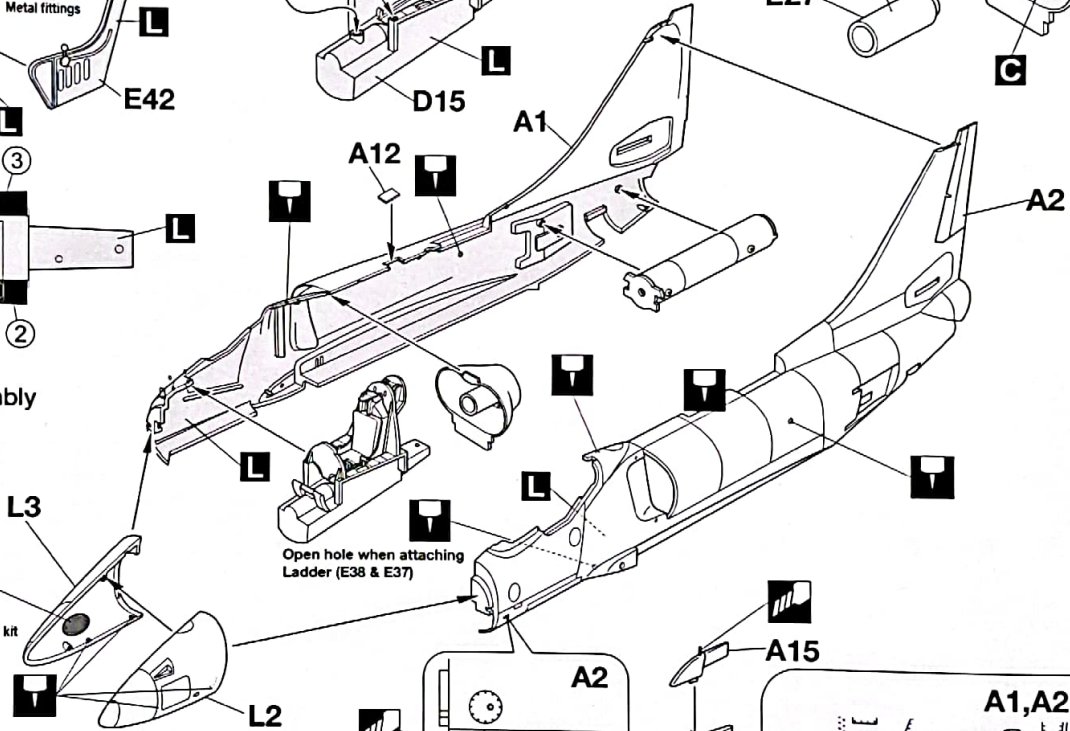


3 Duct Assembly

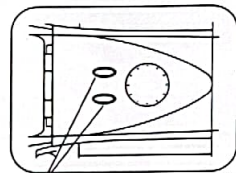


4 Fuselage Assembly

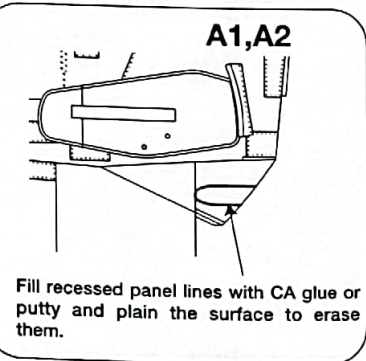
8g **g**
INSERT BALLAST
Ballast is not included in this kit



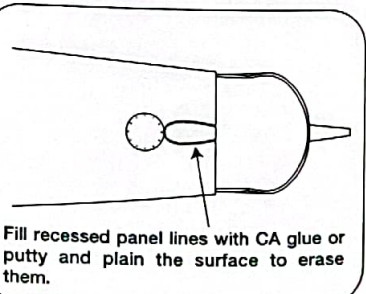
5 Air Intake Installation



Fill recessed panel lines with CA glue or putty and plain the surface to erase them.



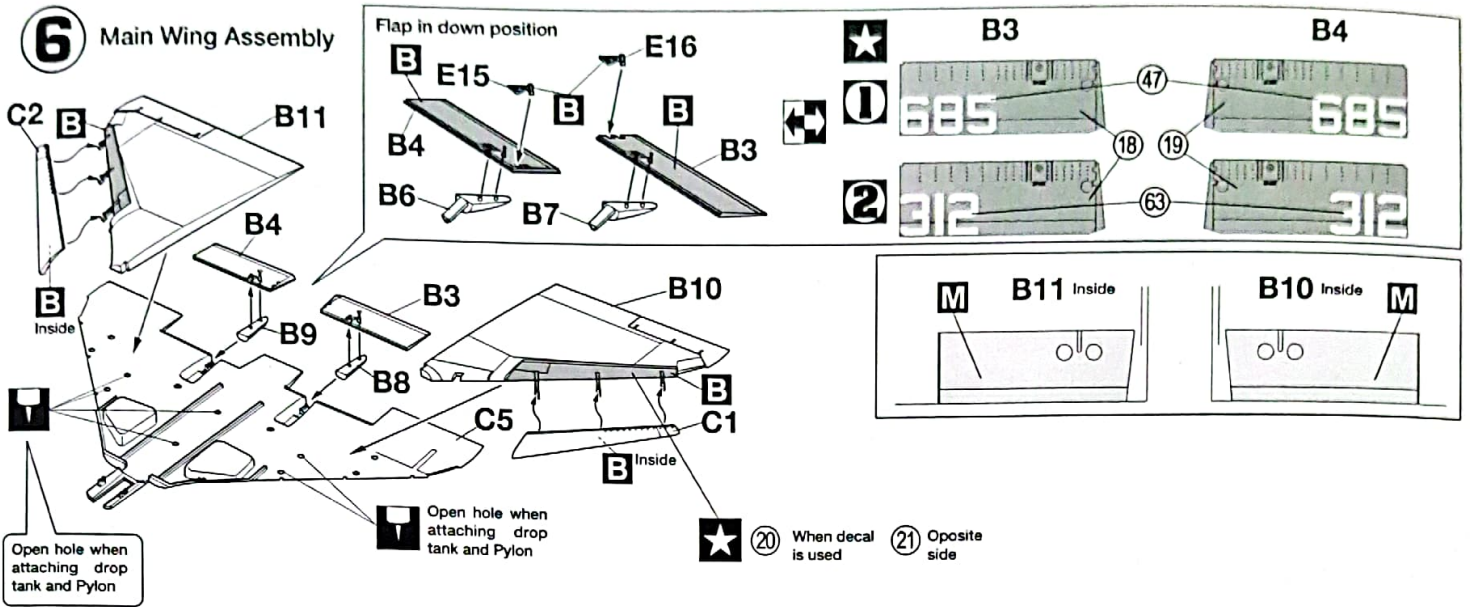
Fill recessed panel lines with CA glue or putty and plain the surface to erase them.



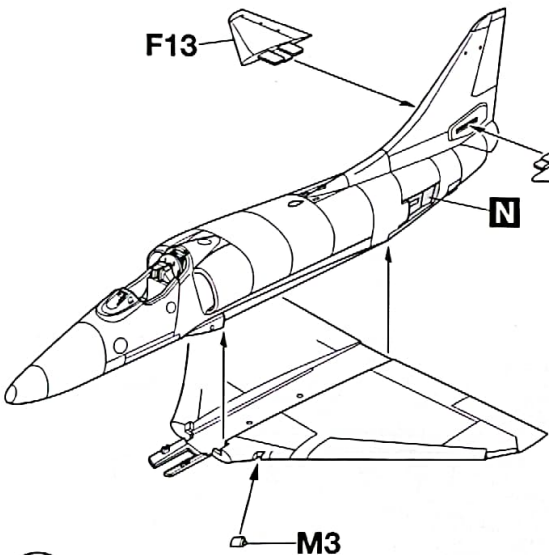
Fill recessed panel lines with CA glue or putty and plain the surface to erase them.

Paint other side as well.

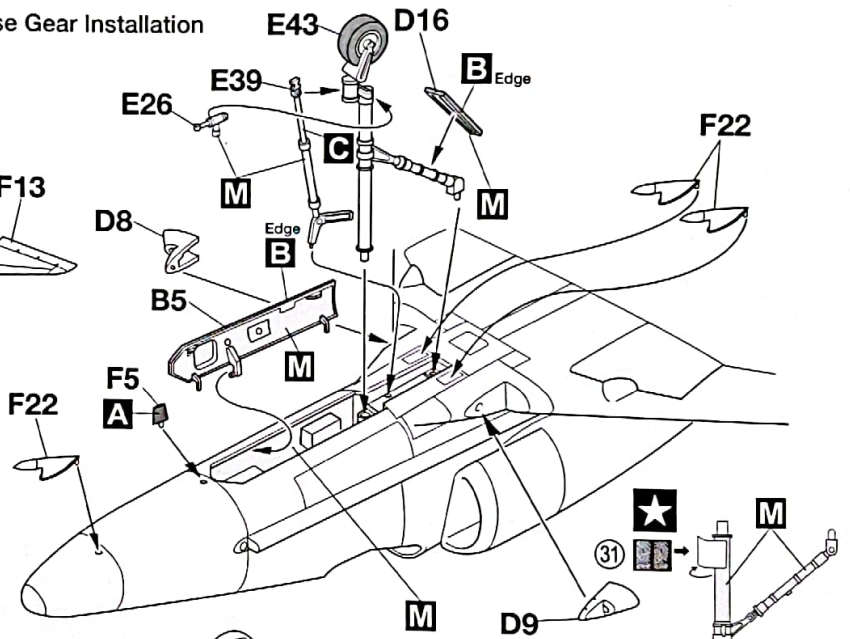
6 Main Wing Assembly



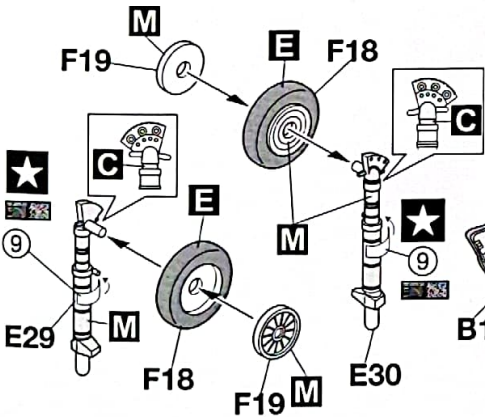
7 Main Wing Installation



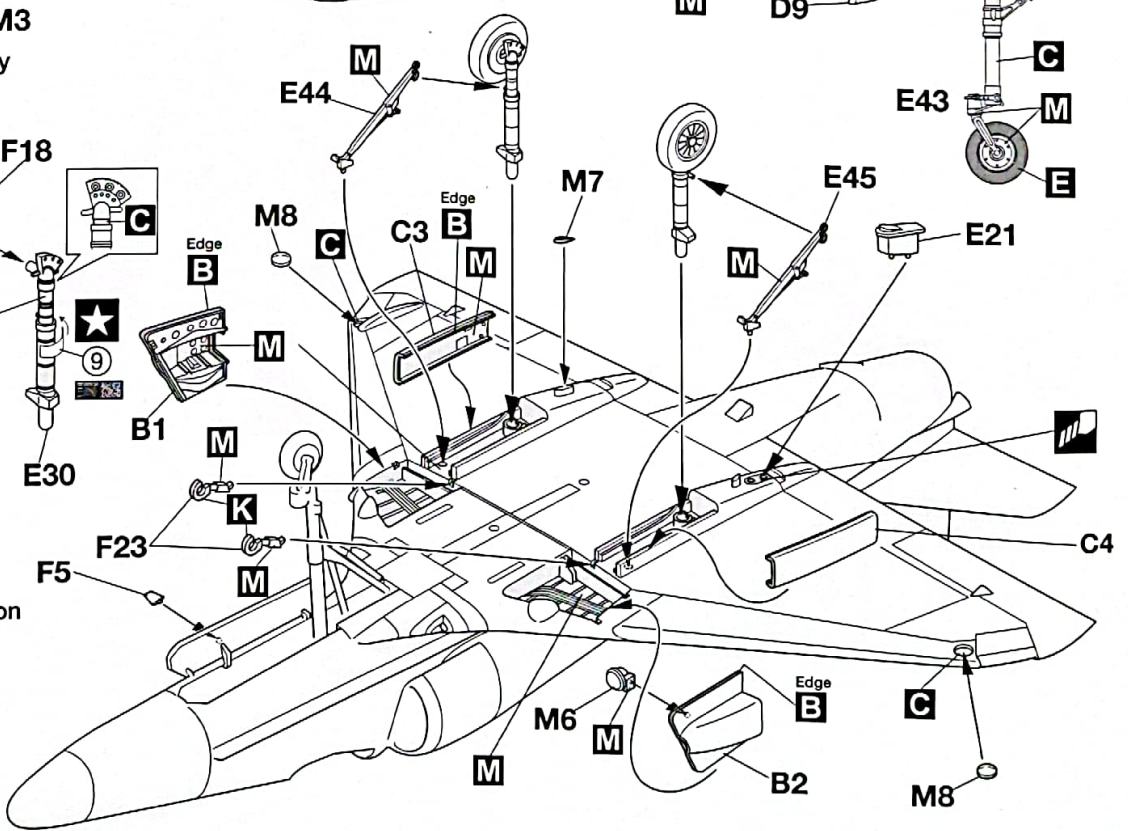
8 Nose Gear Installation



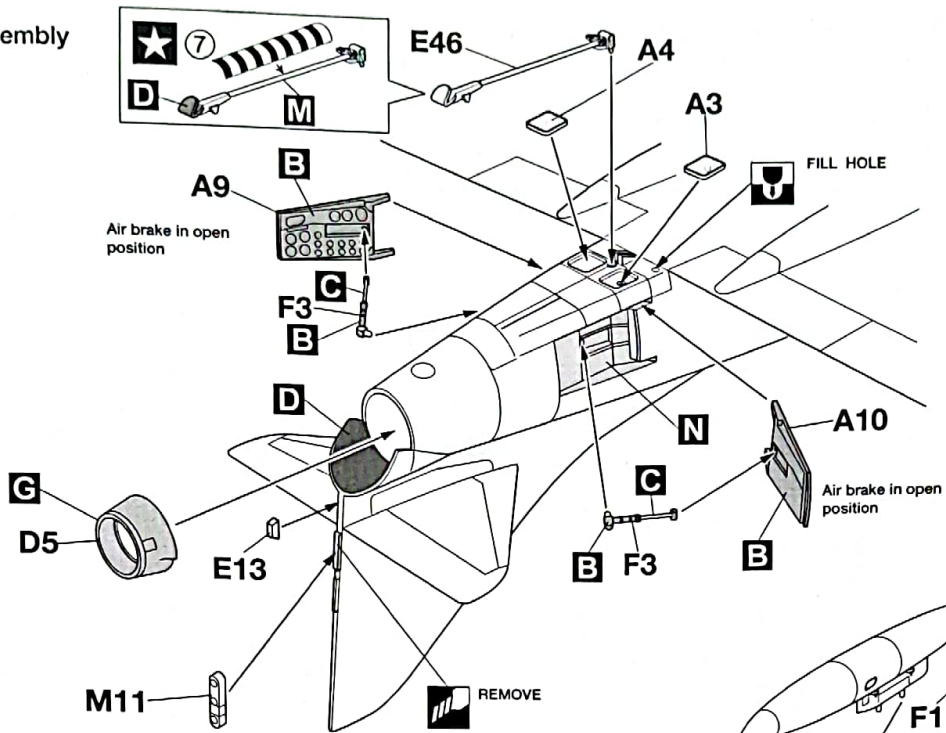
9 Main Gear Assembly



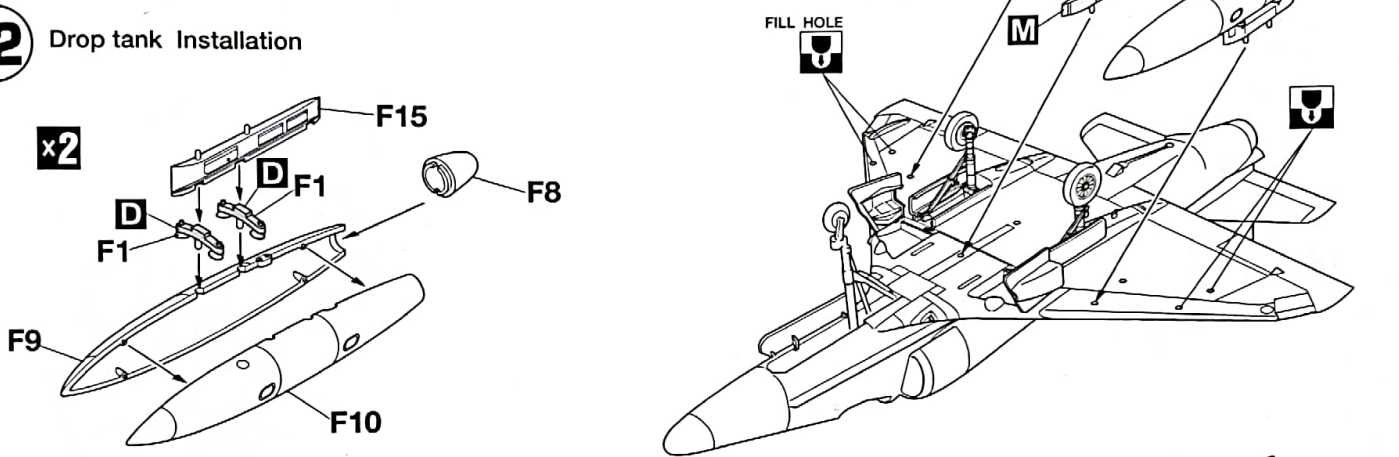
10 Main Gear Installation



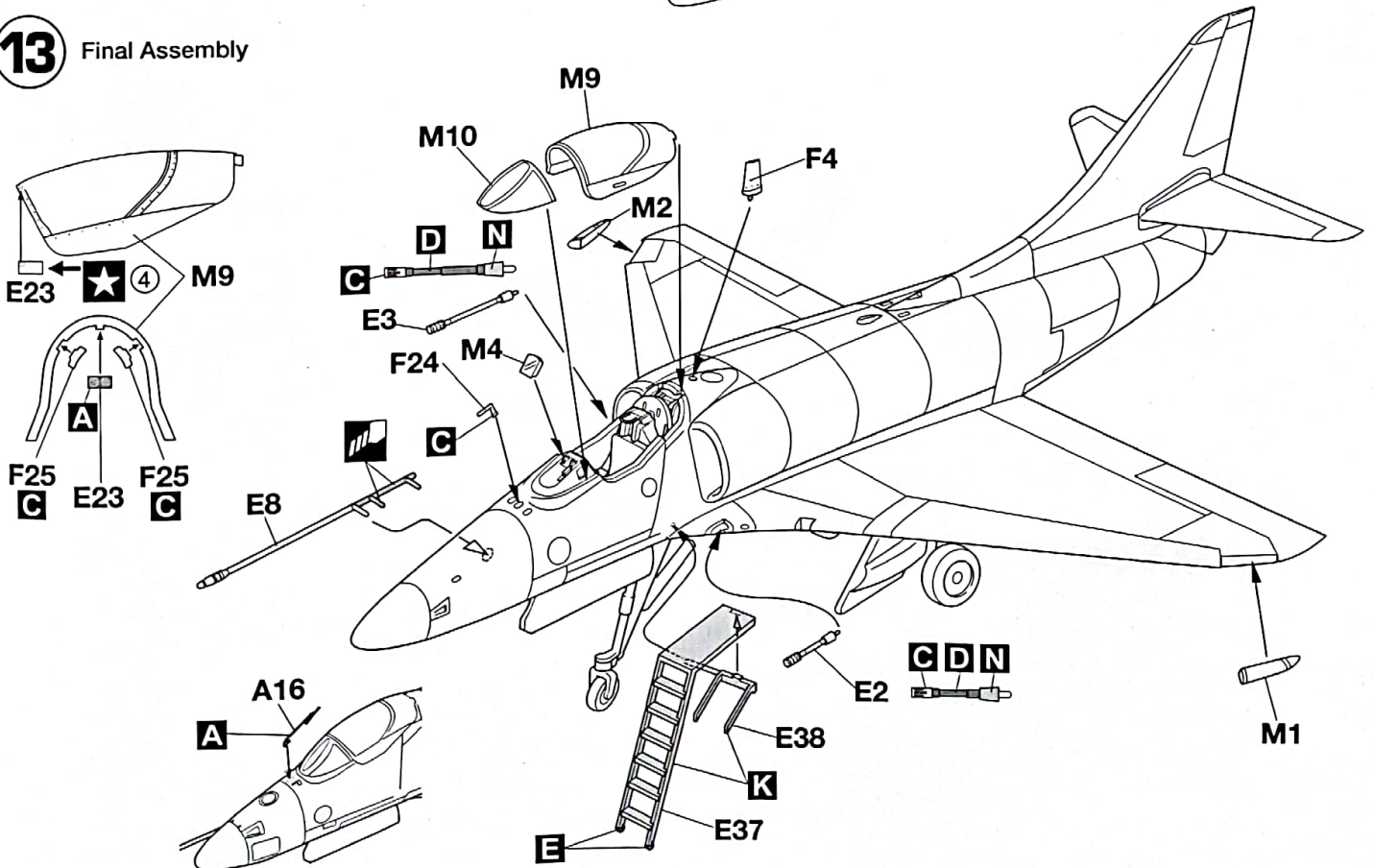
11 Tail Assembly



12 Drop tank Installation



13 Final Assembly



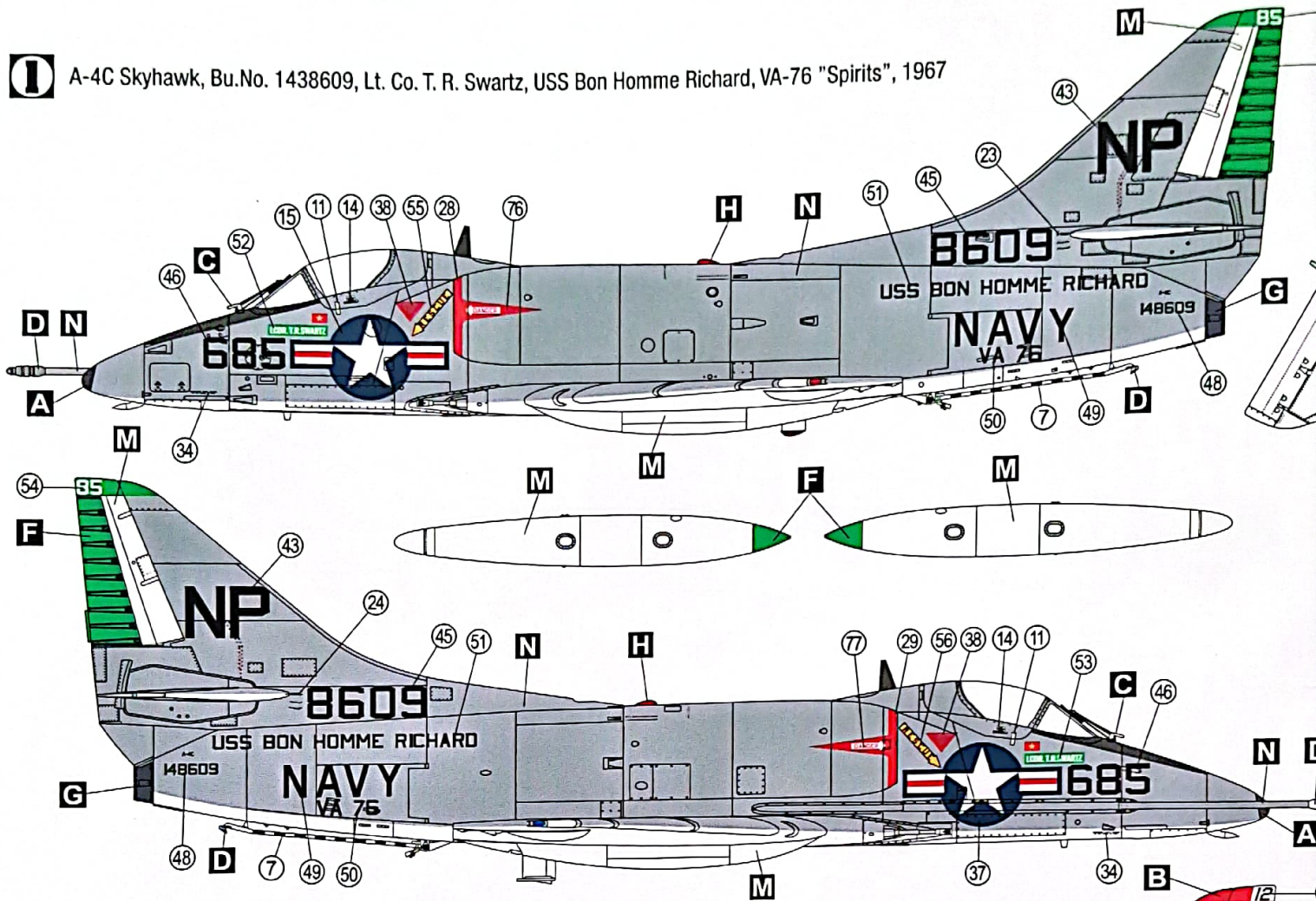
MARKINGS AND PAINTING

Markierungen und Bemalung
Marcio & Pittura

Decoration et Peinture
Oznakowania i Malowanie

Decoracion y Pintura
Označeni & Zbarveni

1 A-4C Skyhawk, Bu.No. 1438609, Lt. Co. T. R. Swartz, USS Bon Homme Richard, VA-76 "Spirits", 1967



2 A-4C Skyhawk, Bu.No. 149532, USS Kittyhawk, VA-144 "Roadrunners", 1966

