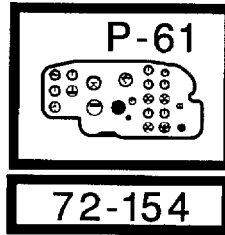
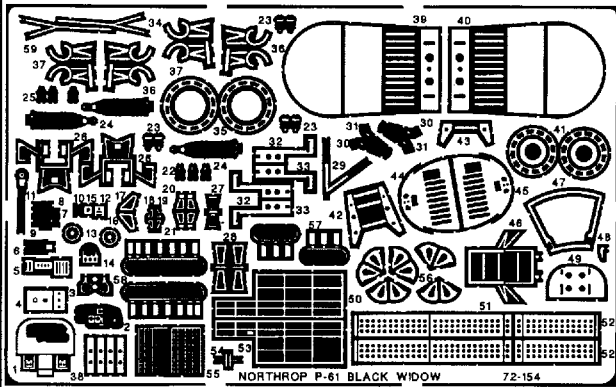




Northrop P 61 BLACK WIDOW

72 154

1/72 scale detail set for DRAGON kit



- OPPOSITE SIDE
- REMOVE
- BEND
- REPLACE
- GRIND

A PILOT SEAT

B REAR SEAT

kit parts D7

1st step

2nd step

PILOT COCKPIT

REAR SEAT

B

RADOME

kit parts

COCKPIT LEFT SIDE

COCKPIT RIGHT SIDE

CONTROL STICK

kit part C 3

RADIATOR GRILS

1st step

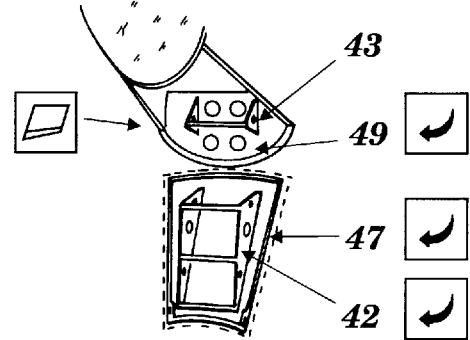
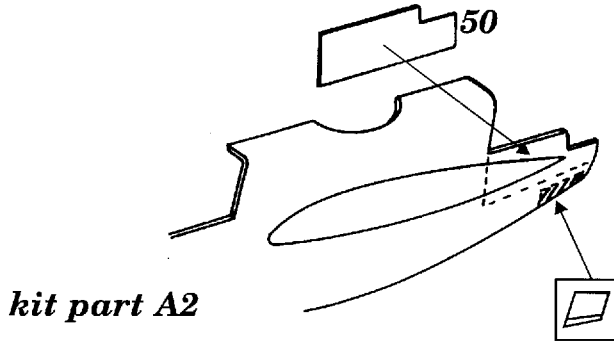
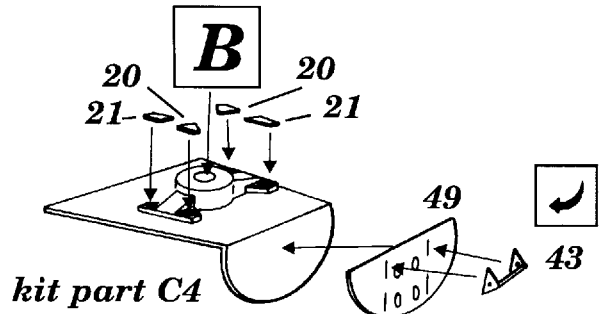
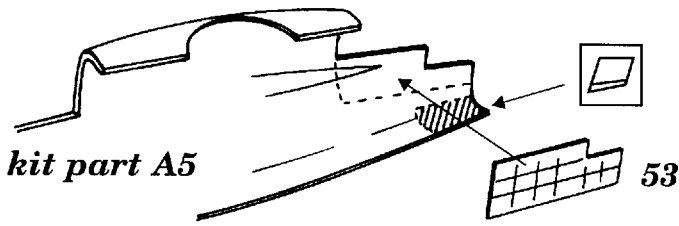
C replace kit part D2 57

D replace kit part D1 58

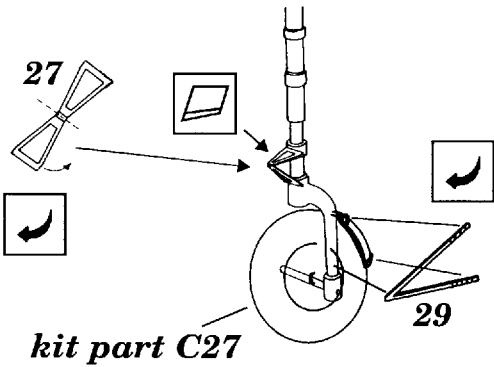
2nd step

3rd step

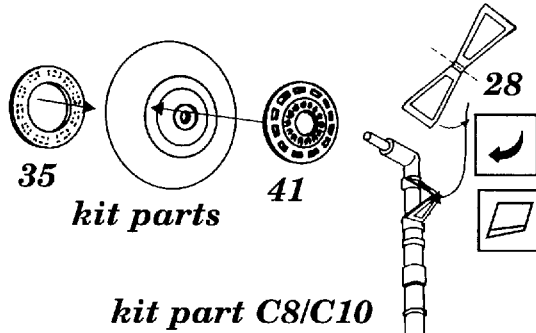
OPERATOR AREA



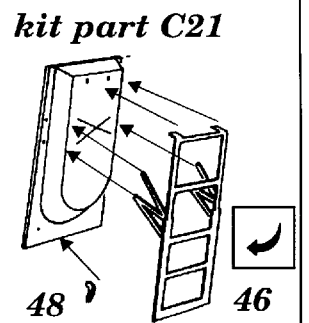
NOSE UNDERCARRIAGE STRUT



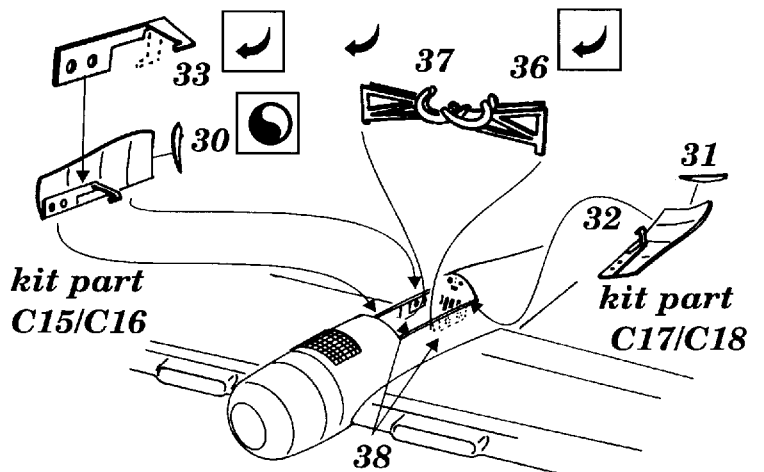
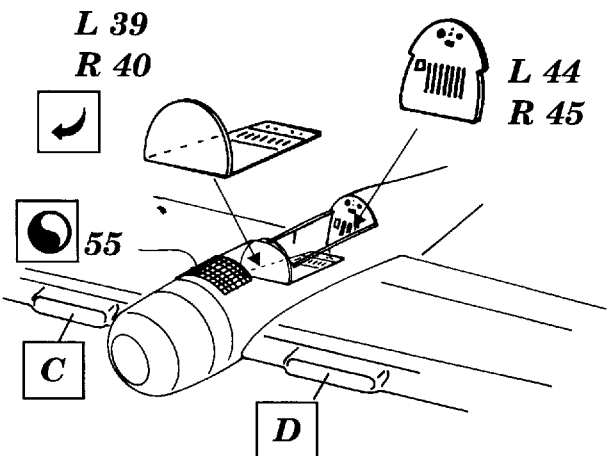
MAIN UNDERCARRIAGE STRUT



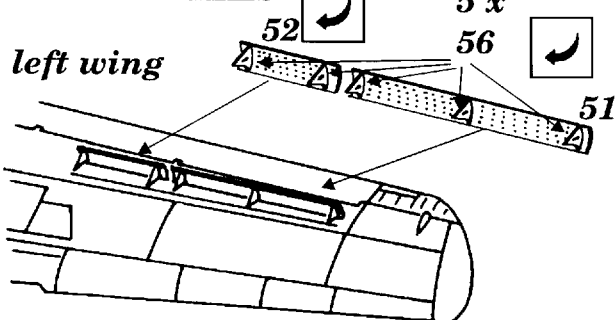
FRONT ENTRANCE



WHEEL WELL



AIRSPEED BRAKES



EXTERNAL AERIEALS

