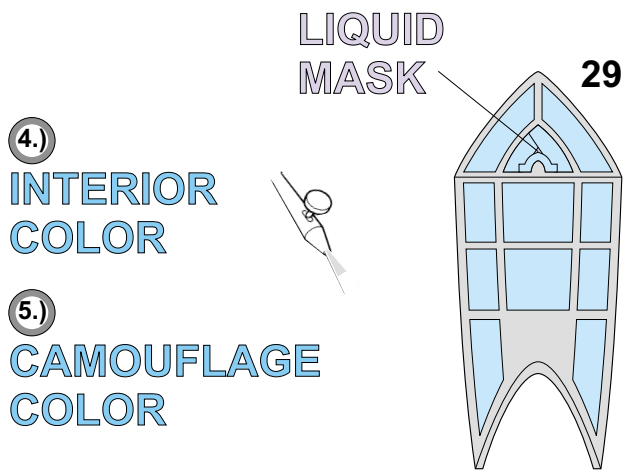
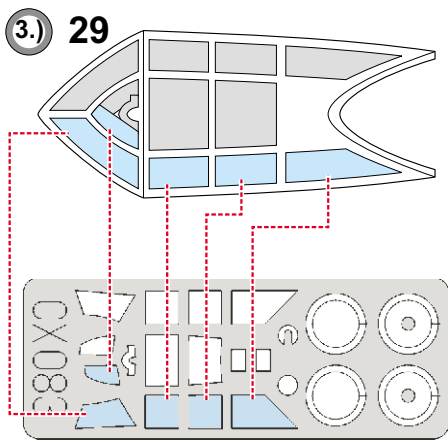
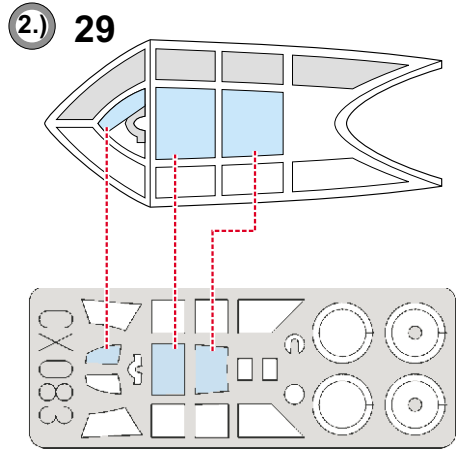
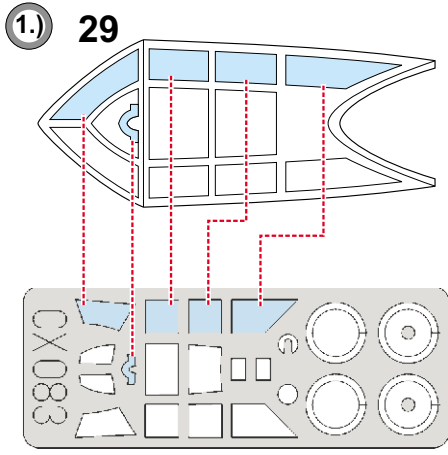
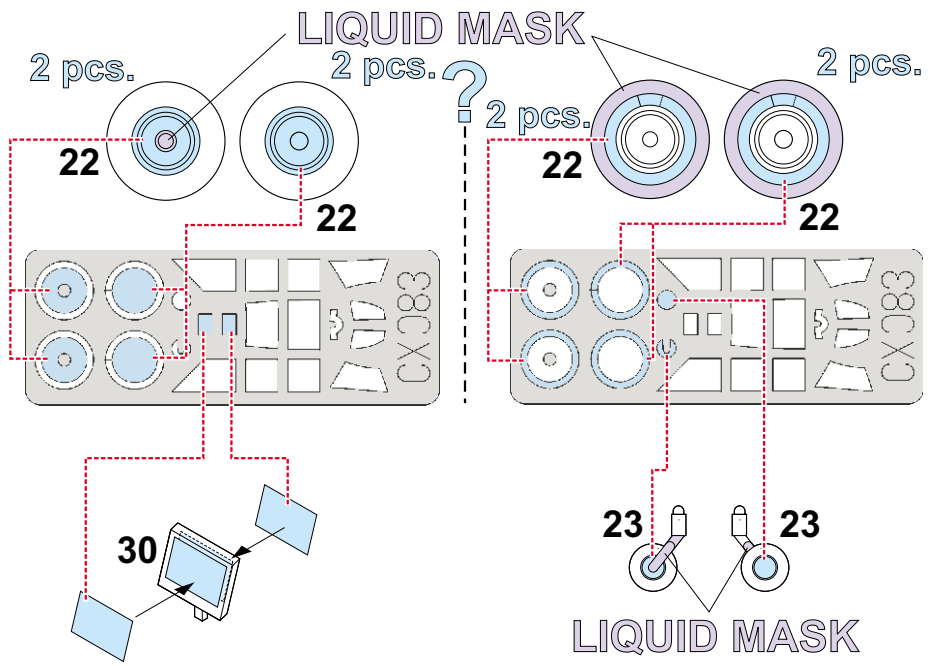
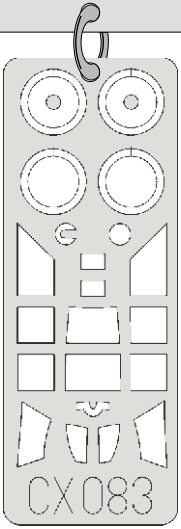


eduard
MASK

P-47D-20 Thunderbolt 1/72

The die-cut mask for accurate canopy frame painting of the
Hasegawa scale 1/72 KIT

CX 083



REFERENCES: Aero Detail #14 - REPUBLIC P-47 THUNDERBOLT
Detail & Scale #8254 - P-47 THUNDERBOLT