

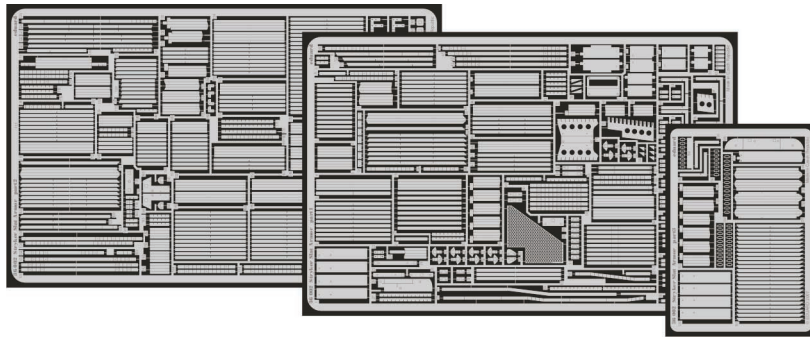


# Stryker SLAT Armor

eduard

36 002

1/35 scale detail set for AFV Club kit • sada detailů pro model 1/35 AFV Club



- ★ APPLY EXPRESS MASK AND PAINT BEFORE GLUING  
POUŽIT EXPRESS MASK NABARVIT PŘED SLEPENÍM
- ☉ SYMMETRICAL ASSEMBLY  
SYMETRICKÁ MONTÁŽ
- ☐ REMOVE  
ODSTRANIT
- ☐ GRIND  
OBROUSIT
- ☐ DRILL HOLE  
VRTAT OTVOR
- ↪ BEND  
OHNOUT
- ❓ OPTION  
VOLBA
- Ⓜ REPLACE  
NAHRADIT

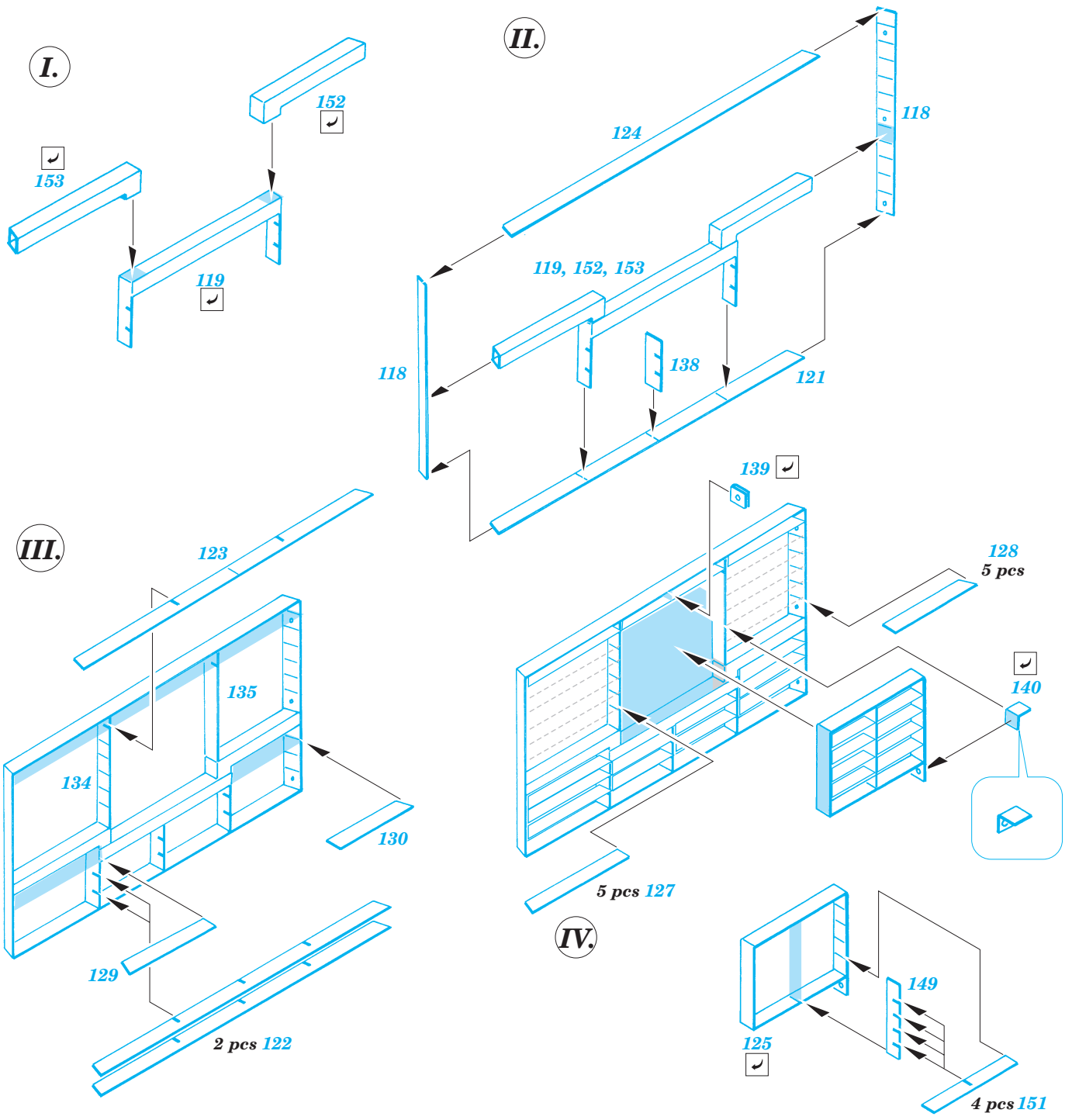
ORIGINAL KIT PARTS  
 PŮVODNÍ DÍLY STAVEBNICE

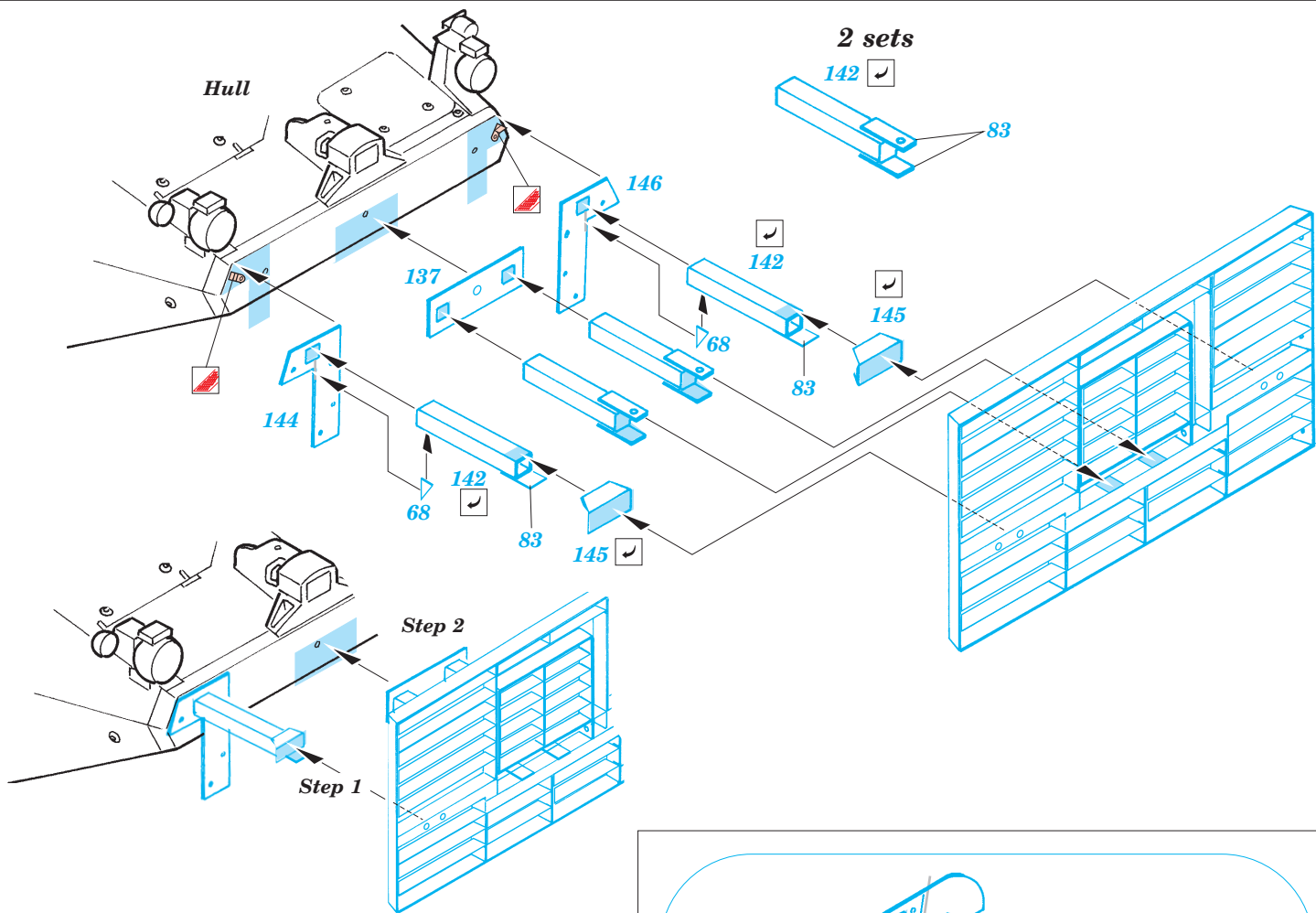
PHOTO-ETCHED PARTS  
 LEPTANÉ DÍLY

PARTS TO BE REMOVED  
 DÍLY K ODSTRANĚNÍ

FILL  
 TMELIT

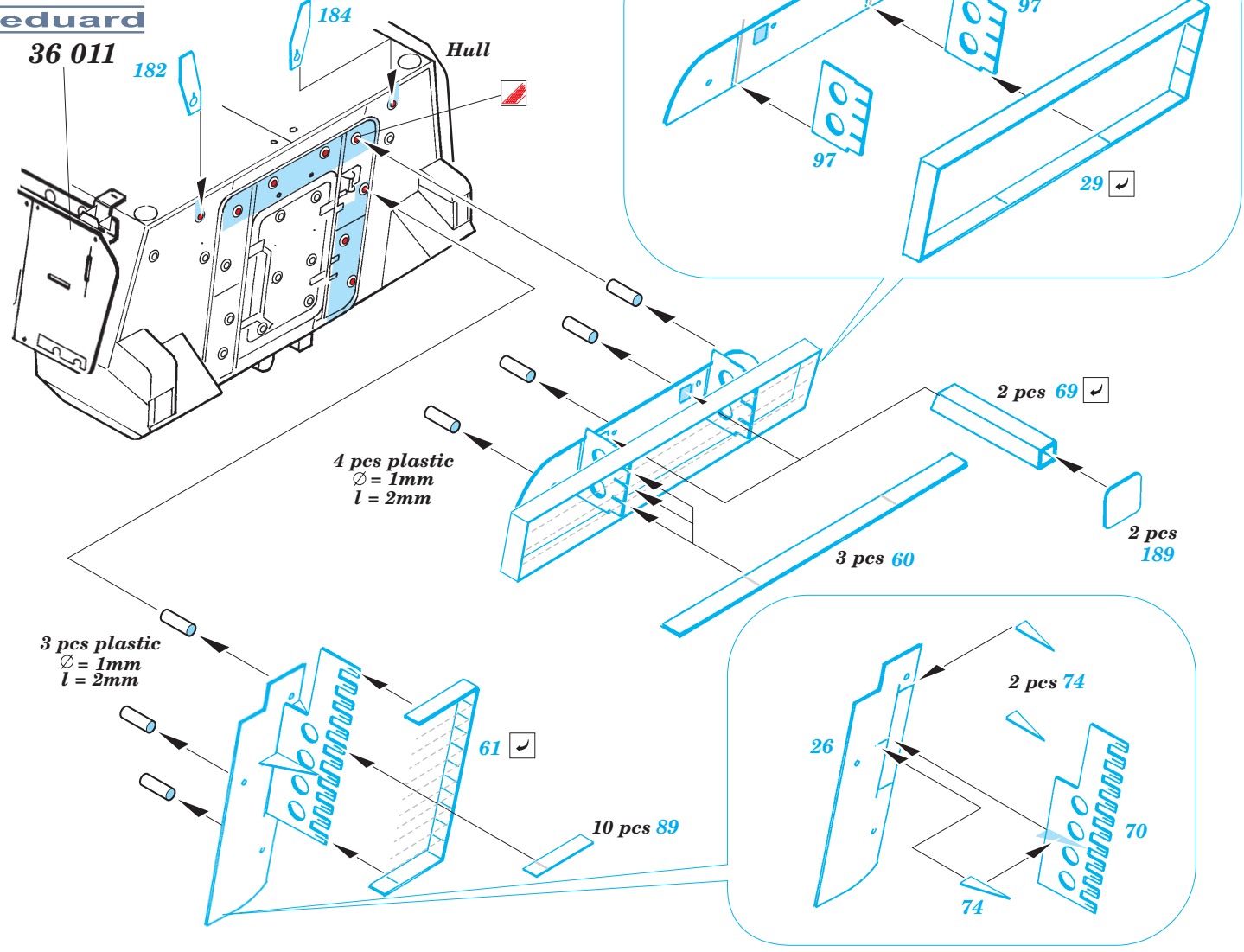
**This set must be used on base eduard 36 011 Stryker additional armor (not included in this set)**

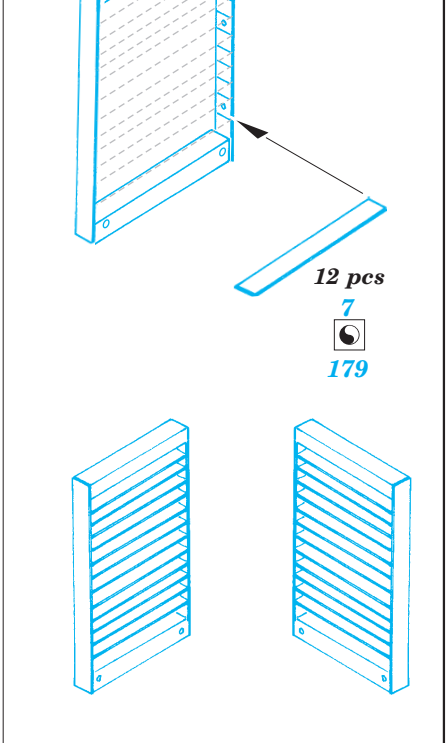
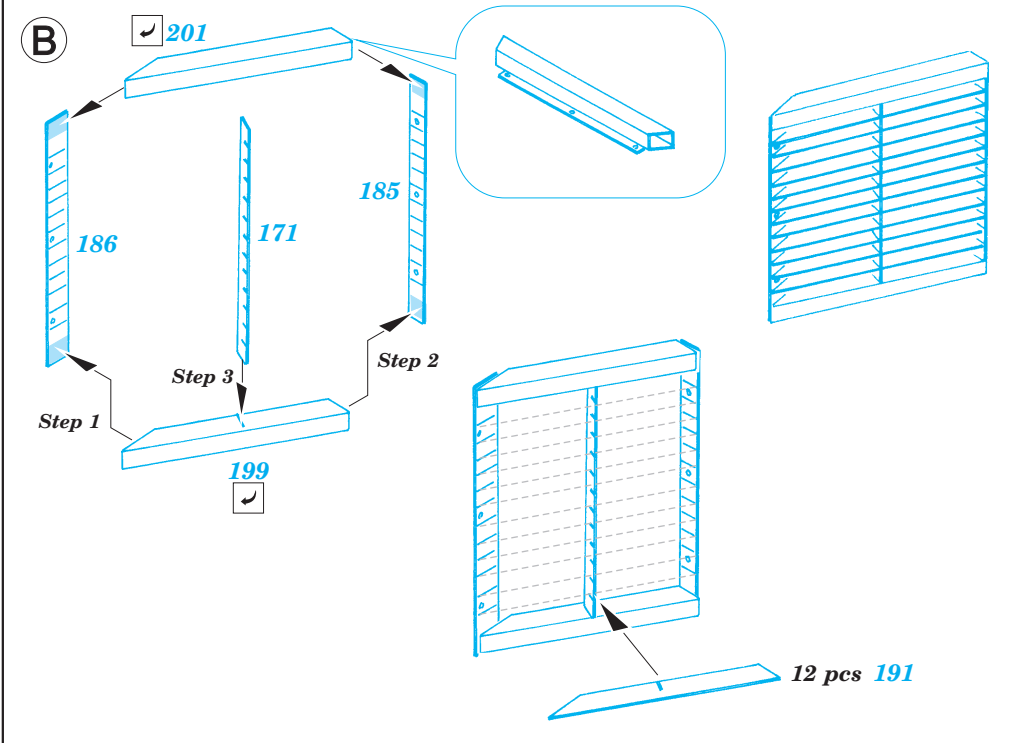
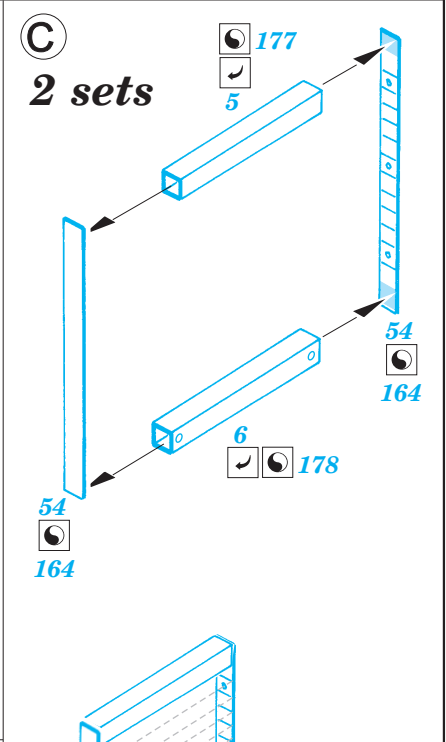
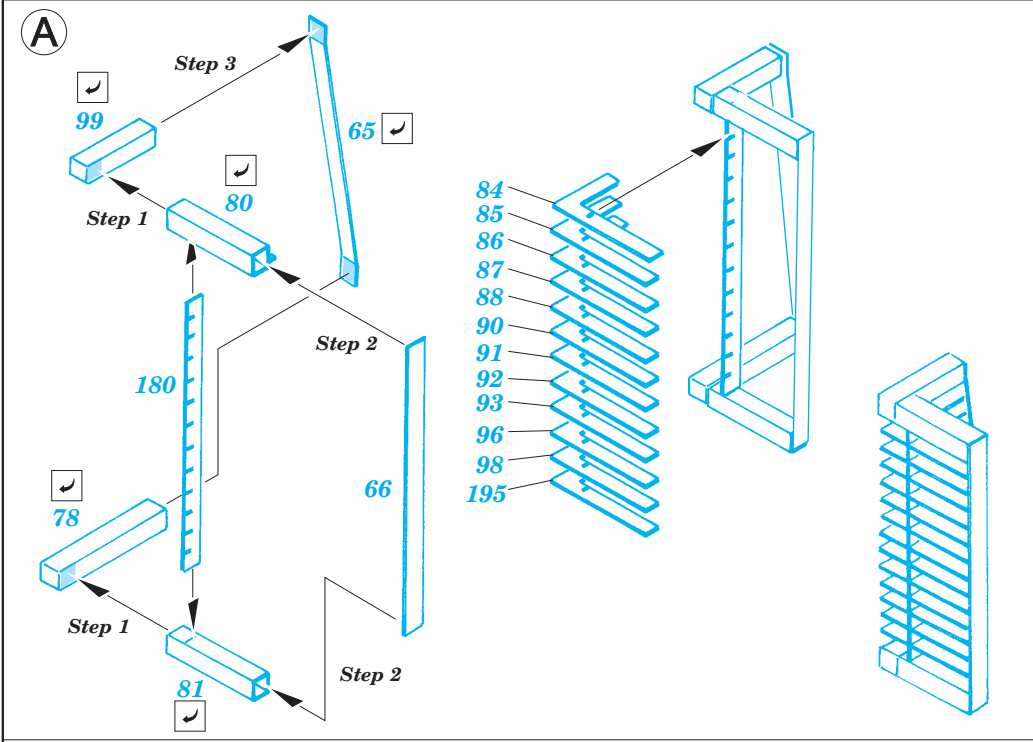
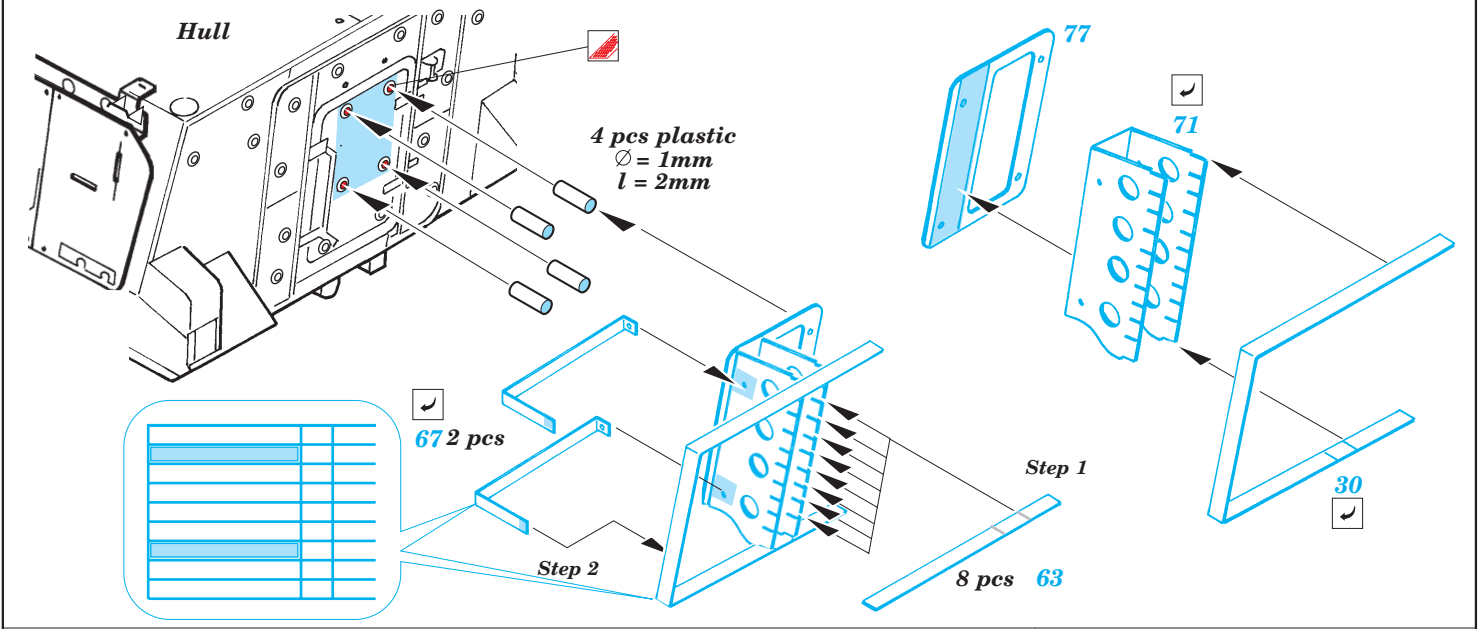




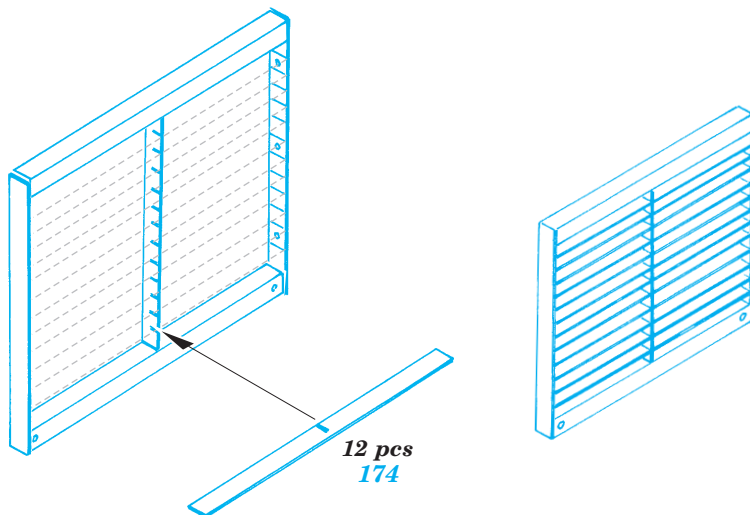
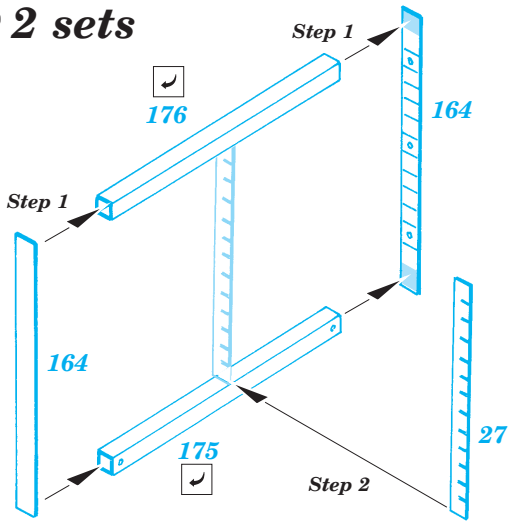
**eduard**

**36 011**

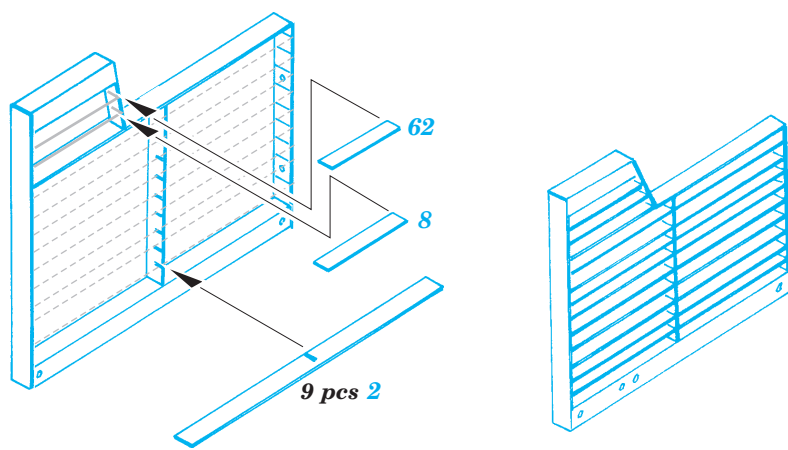
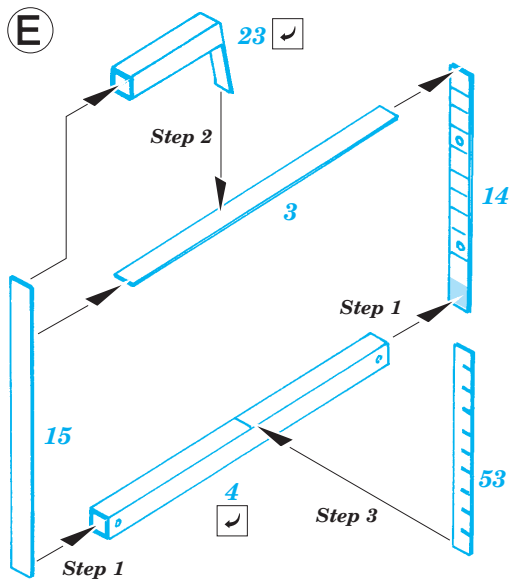




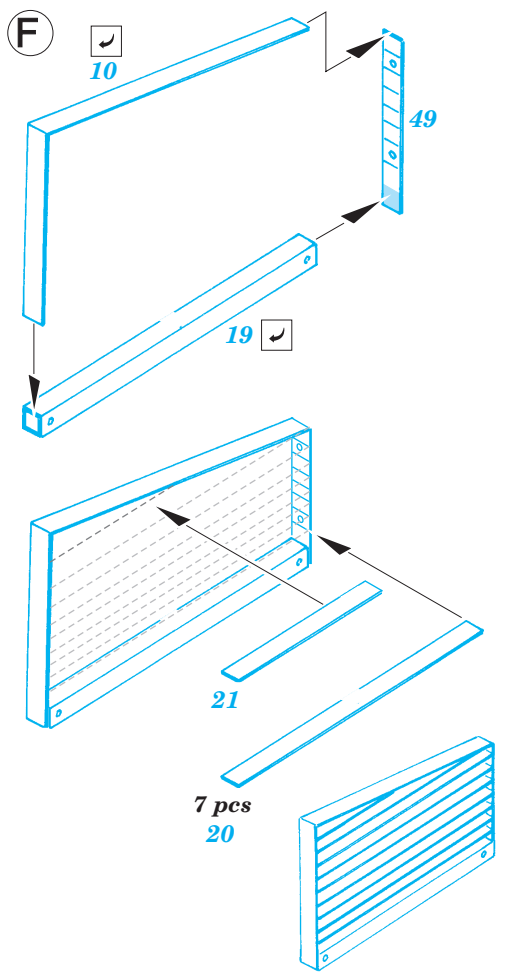
**D** 2 sets



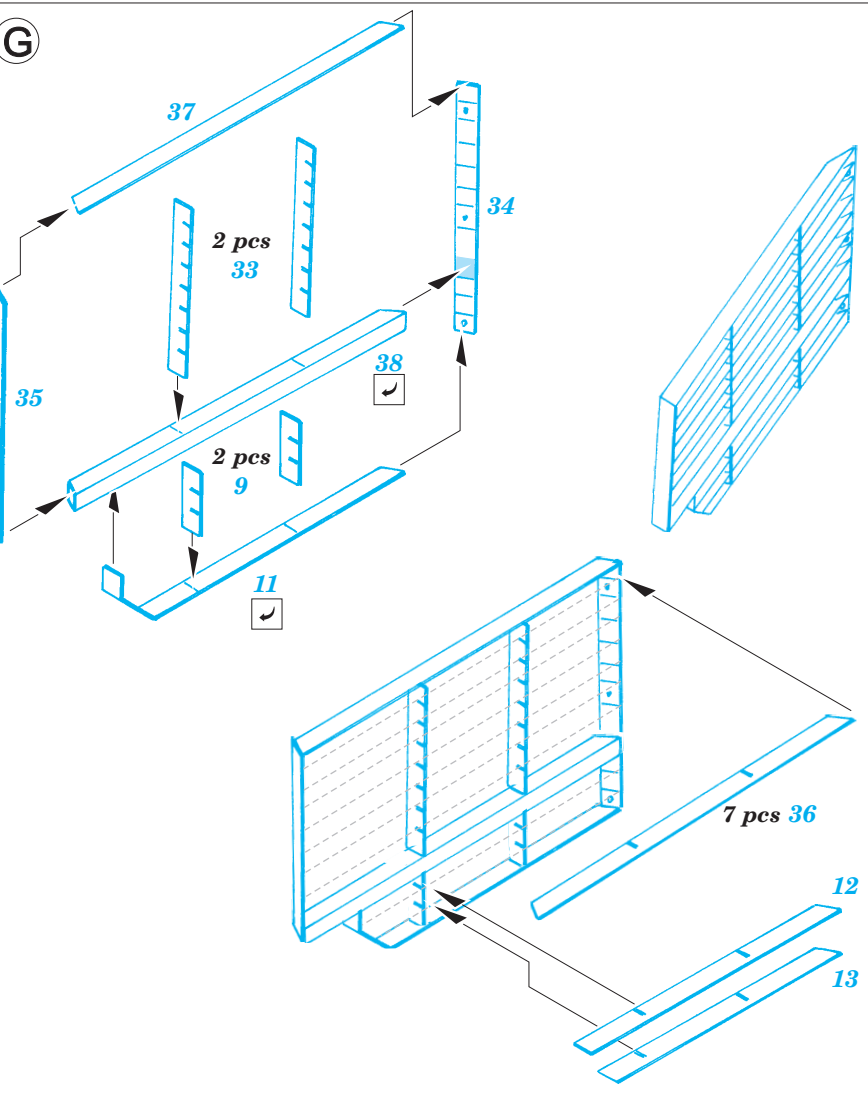
**E**

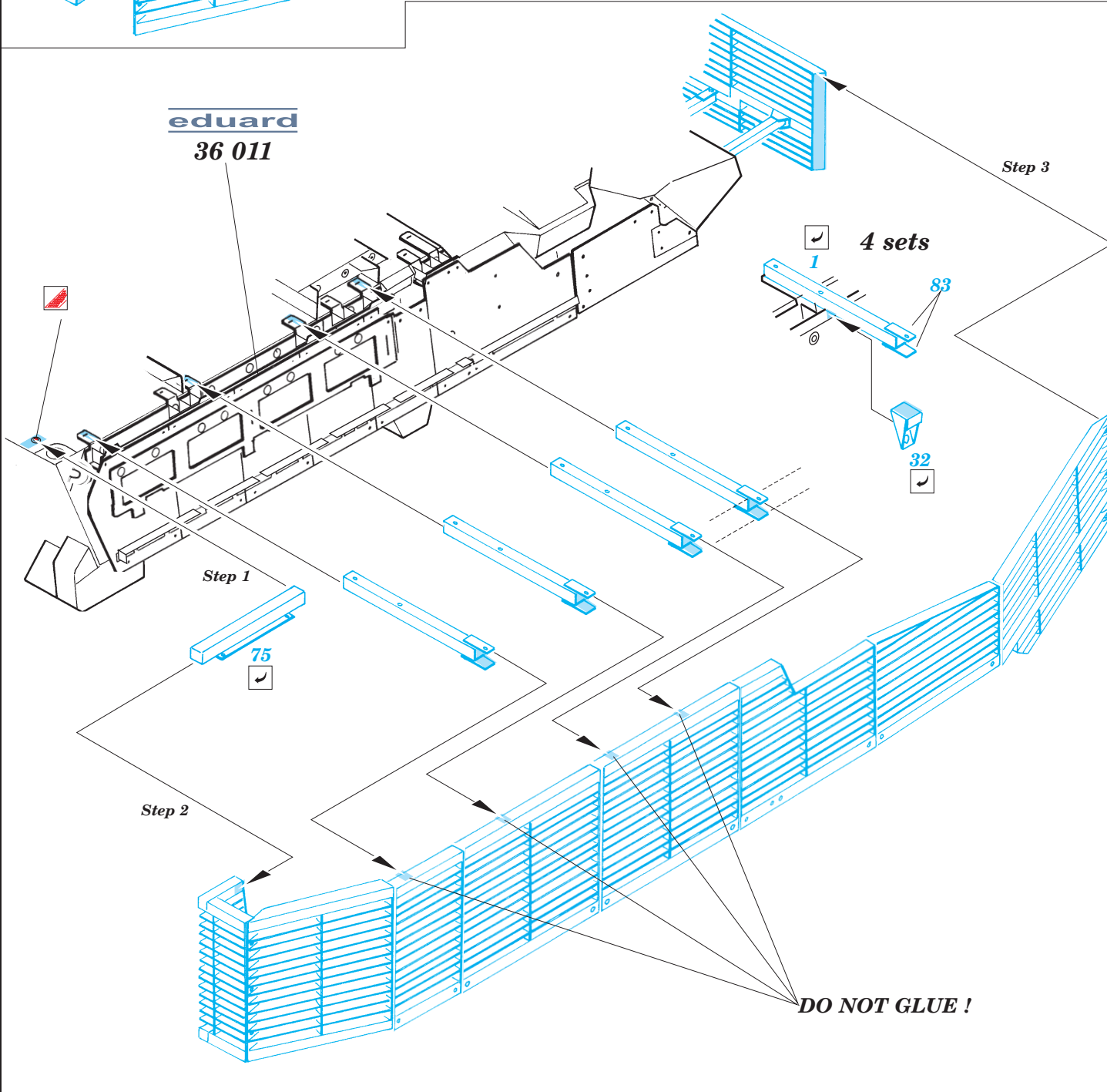
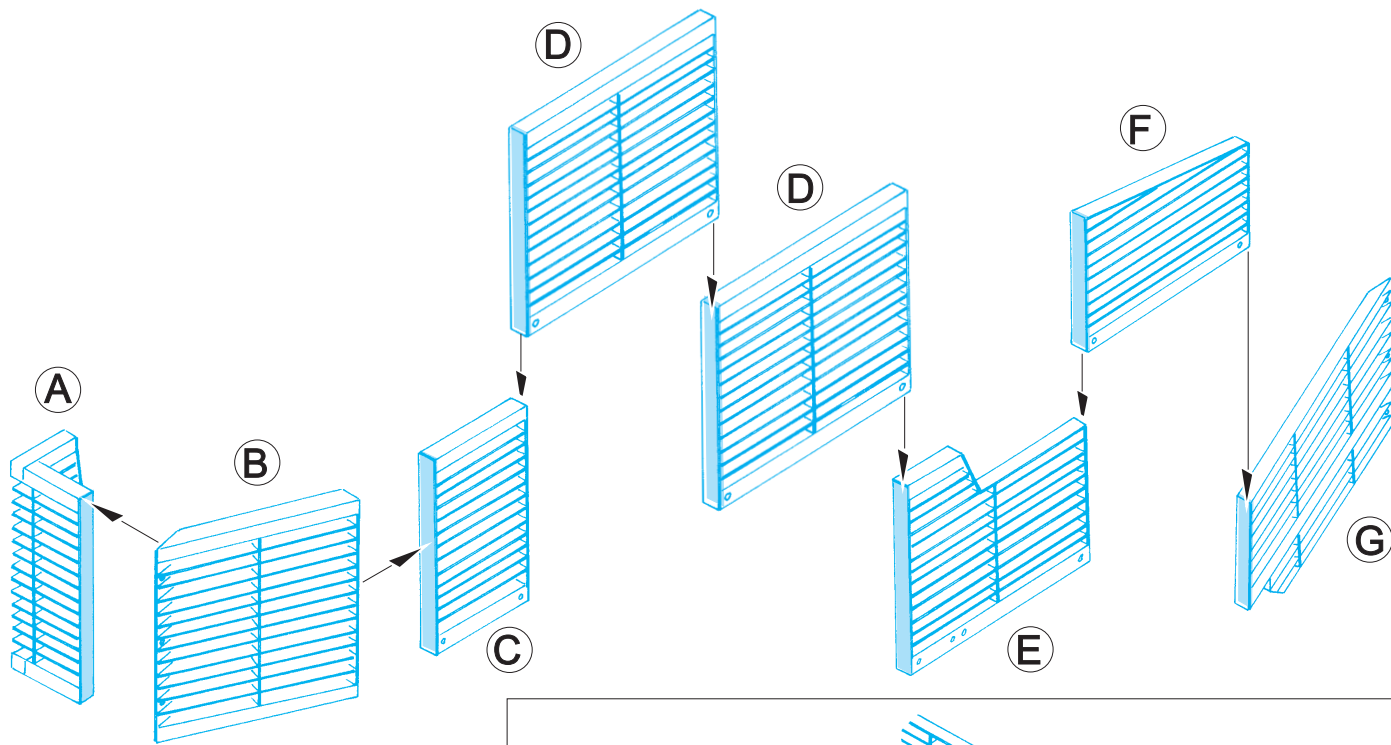


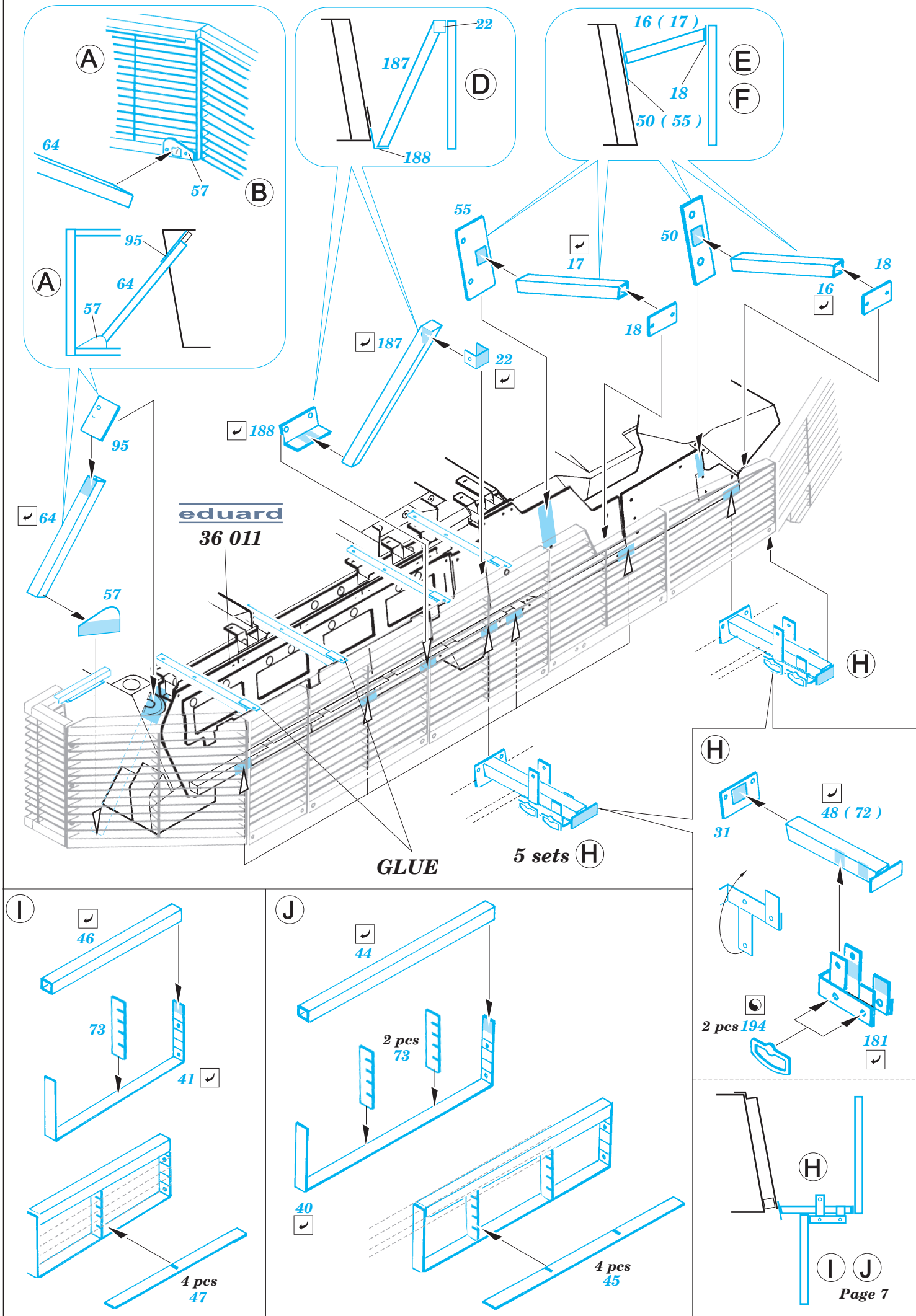
**F**



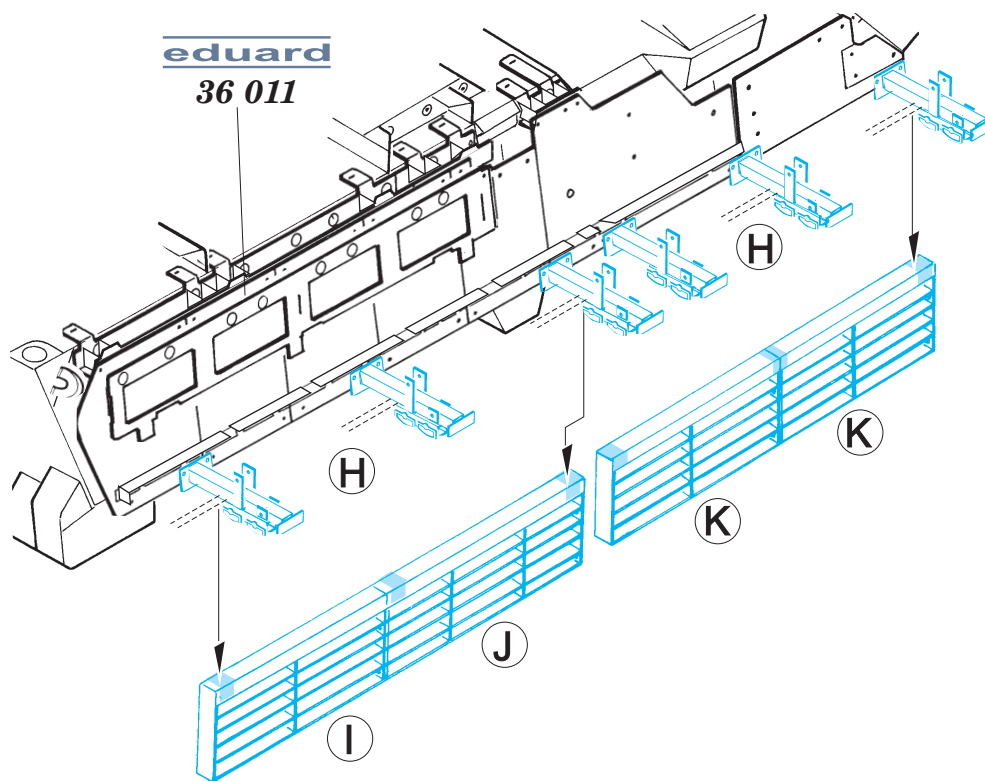
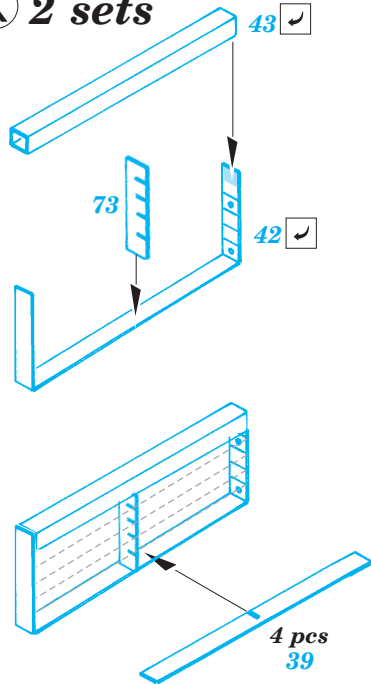
**G**



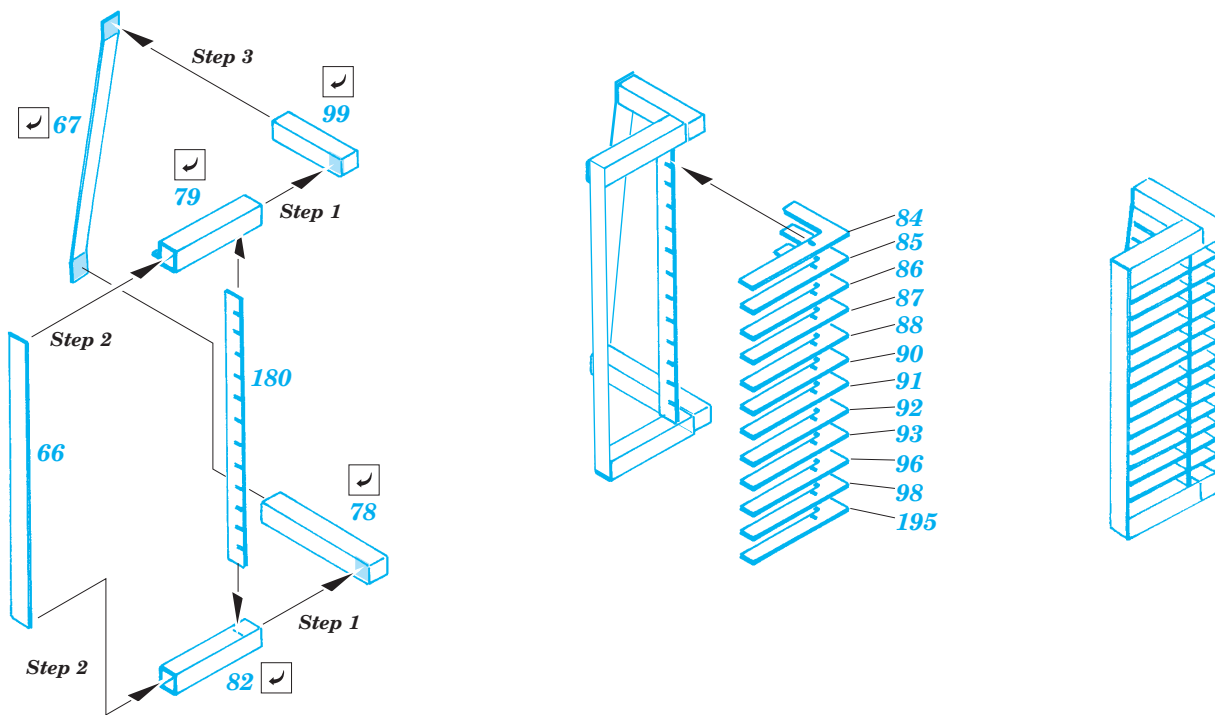




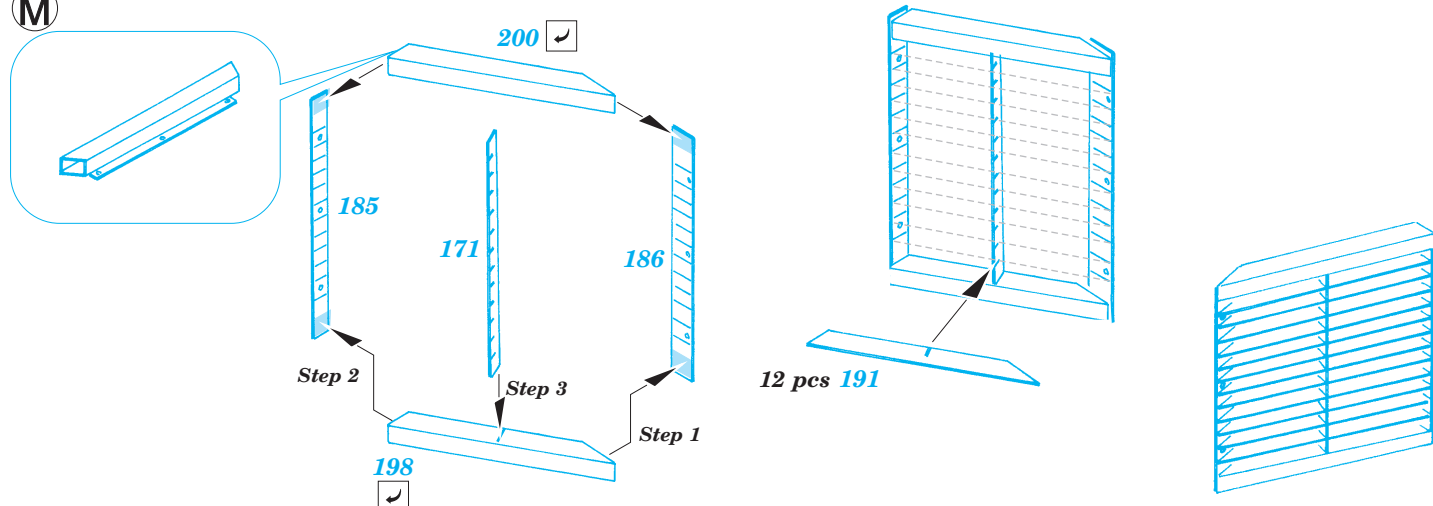
**K** 2 sets

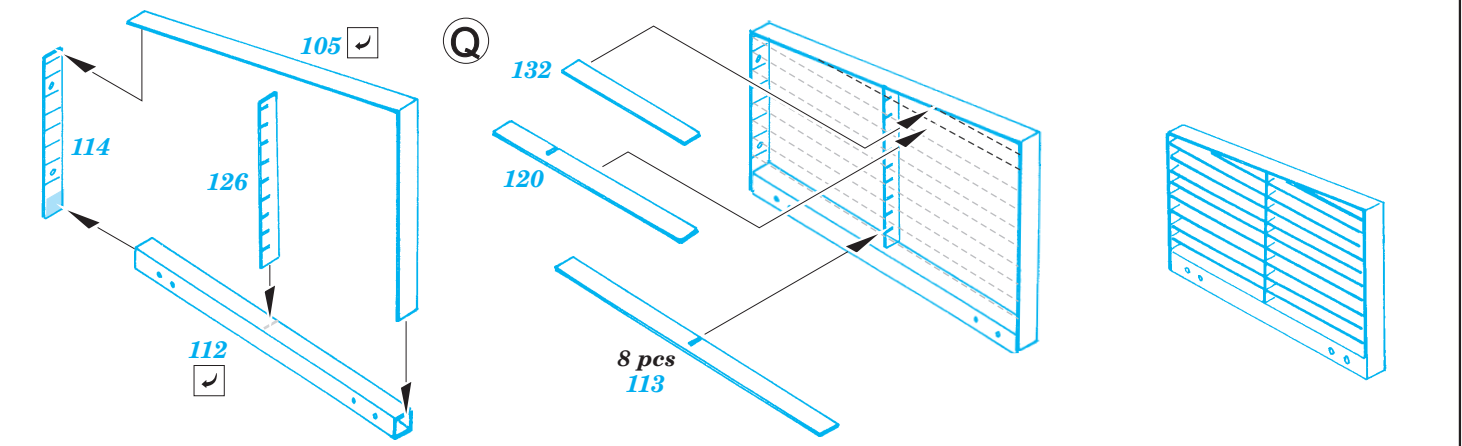
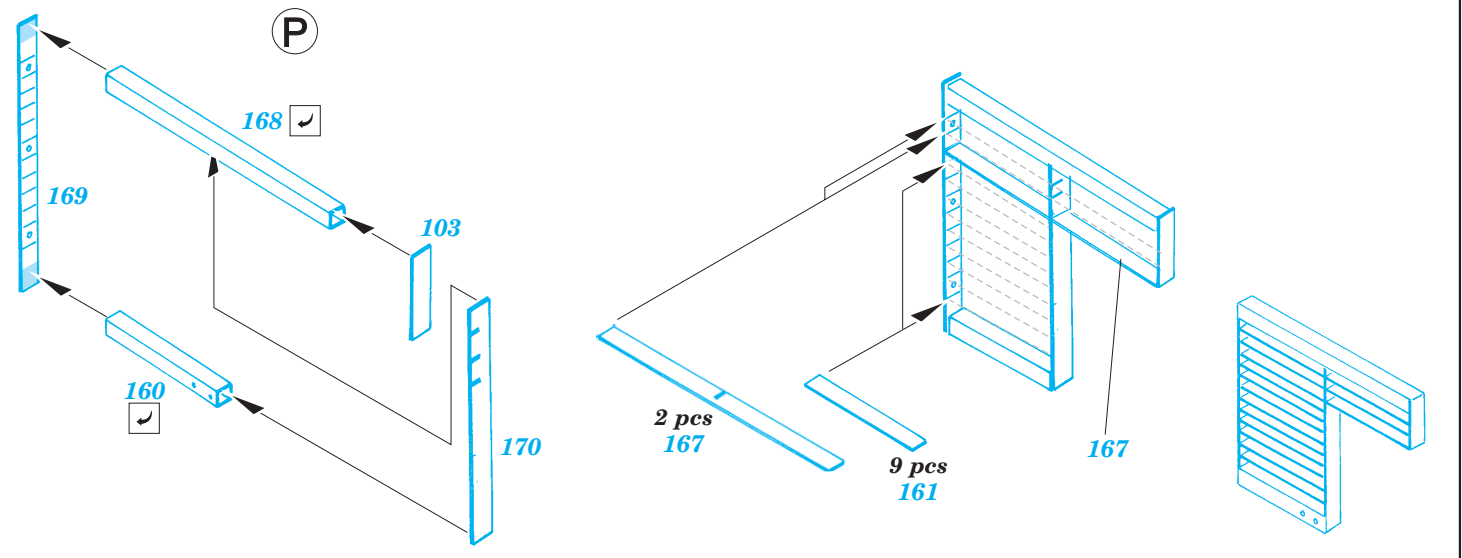
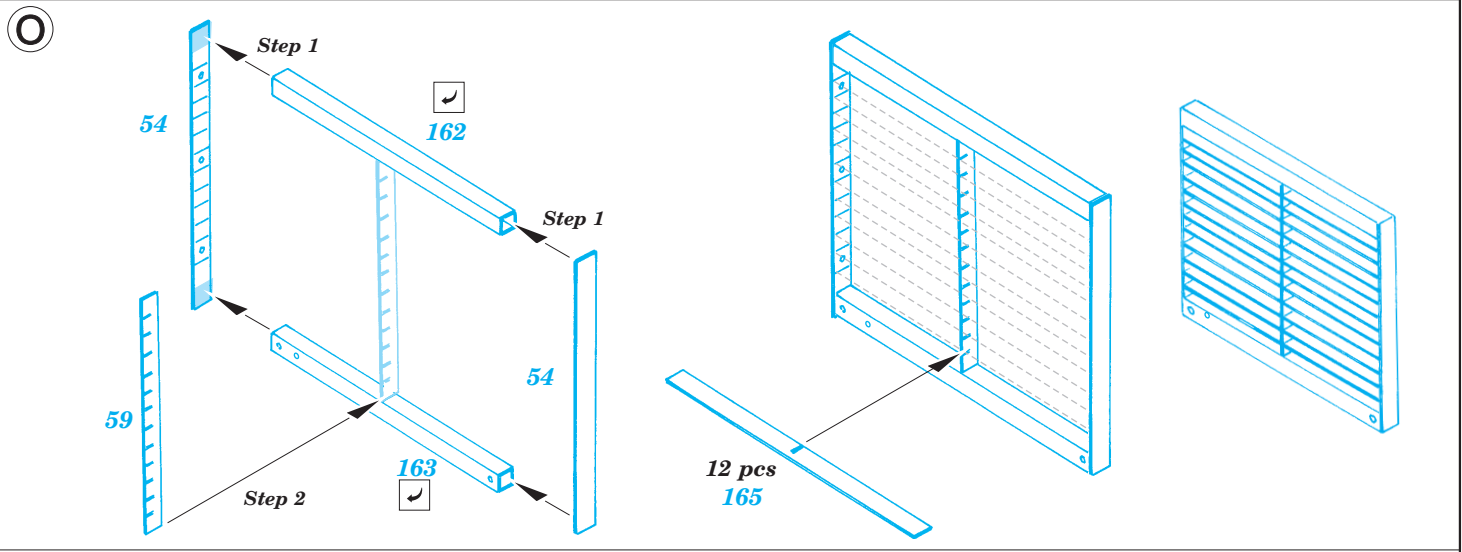
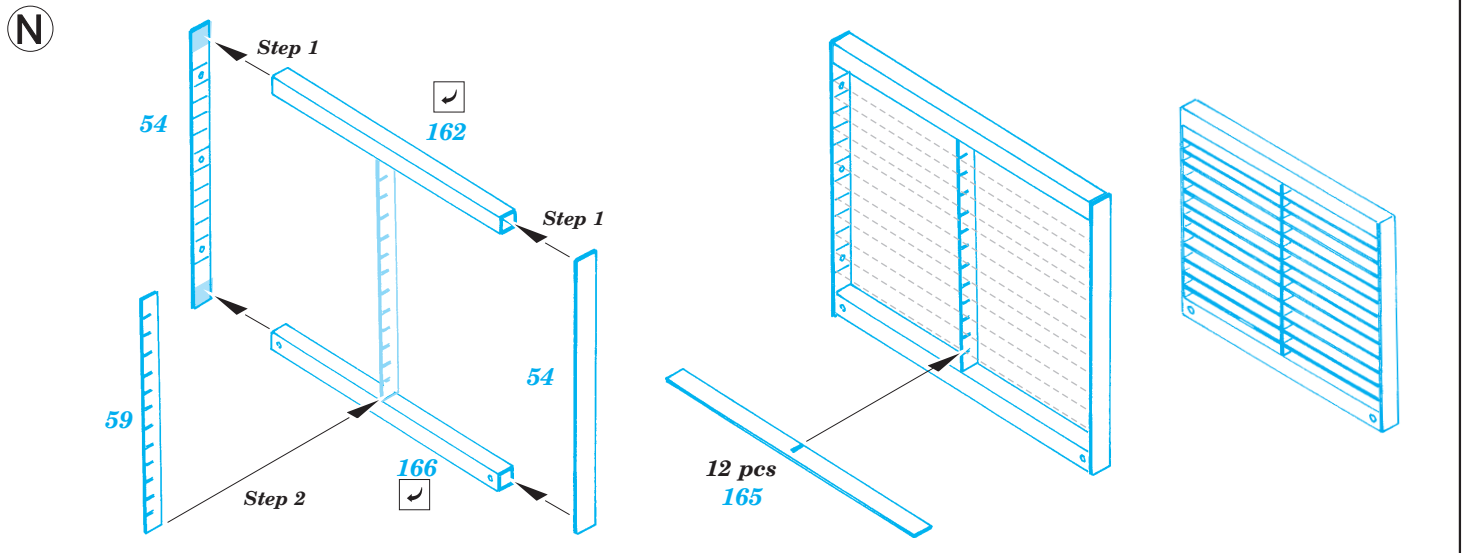


**L**

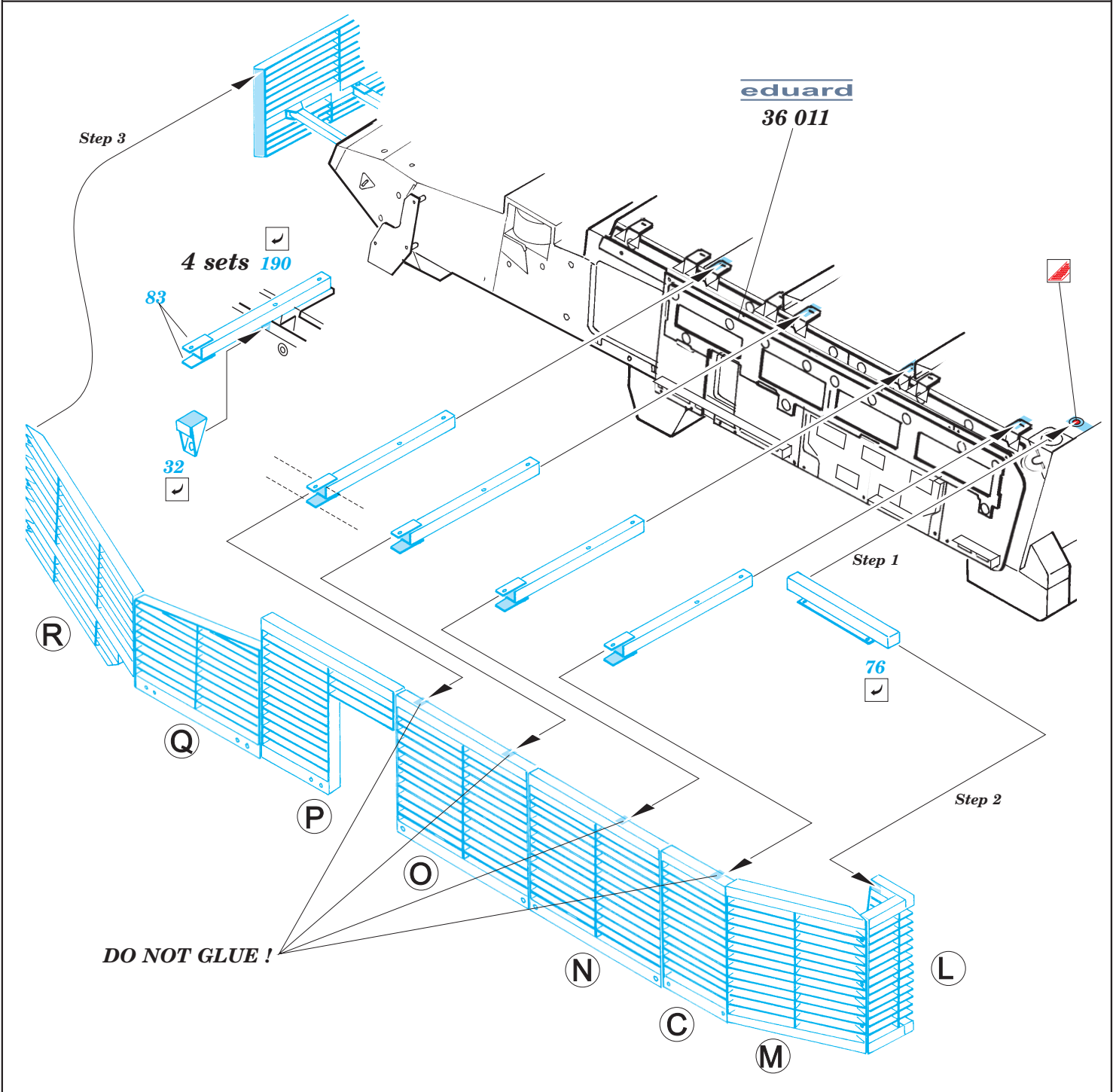
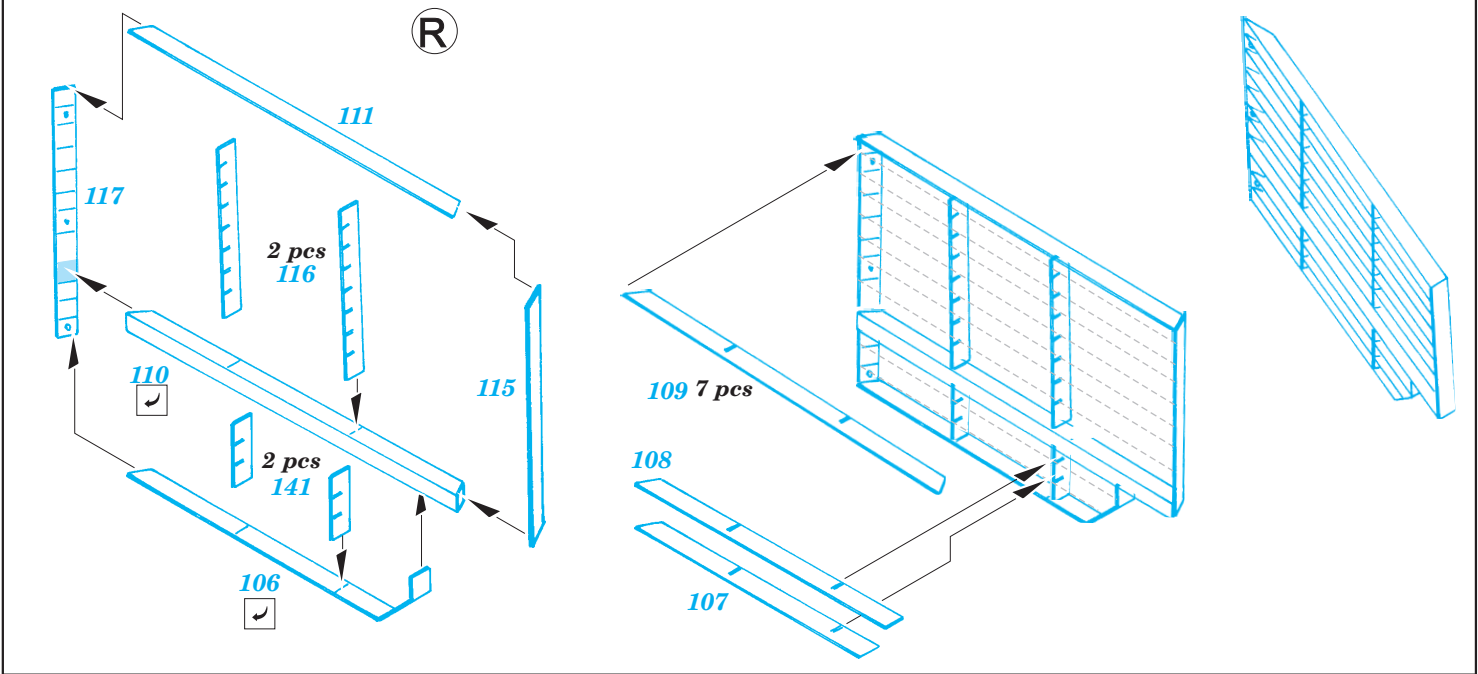


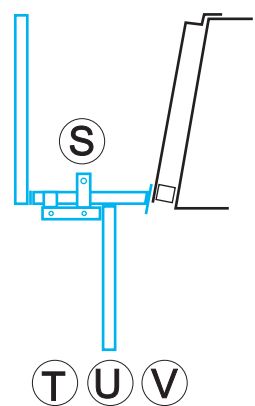
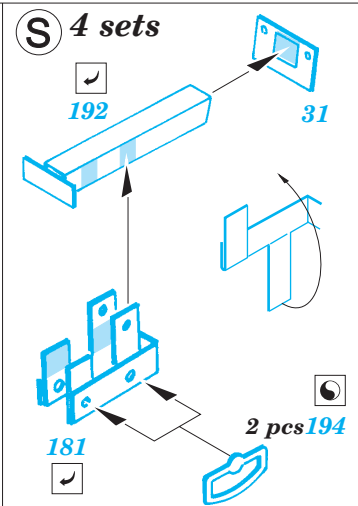
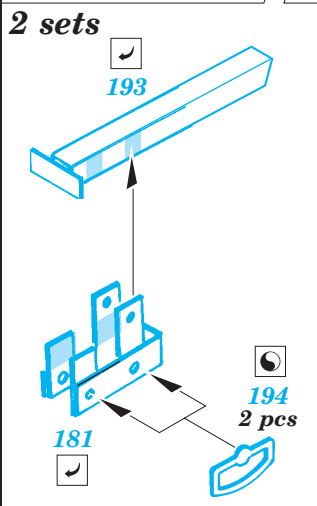
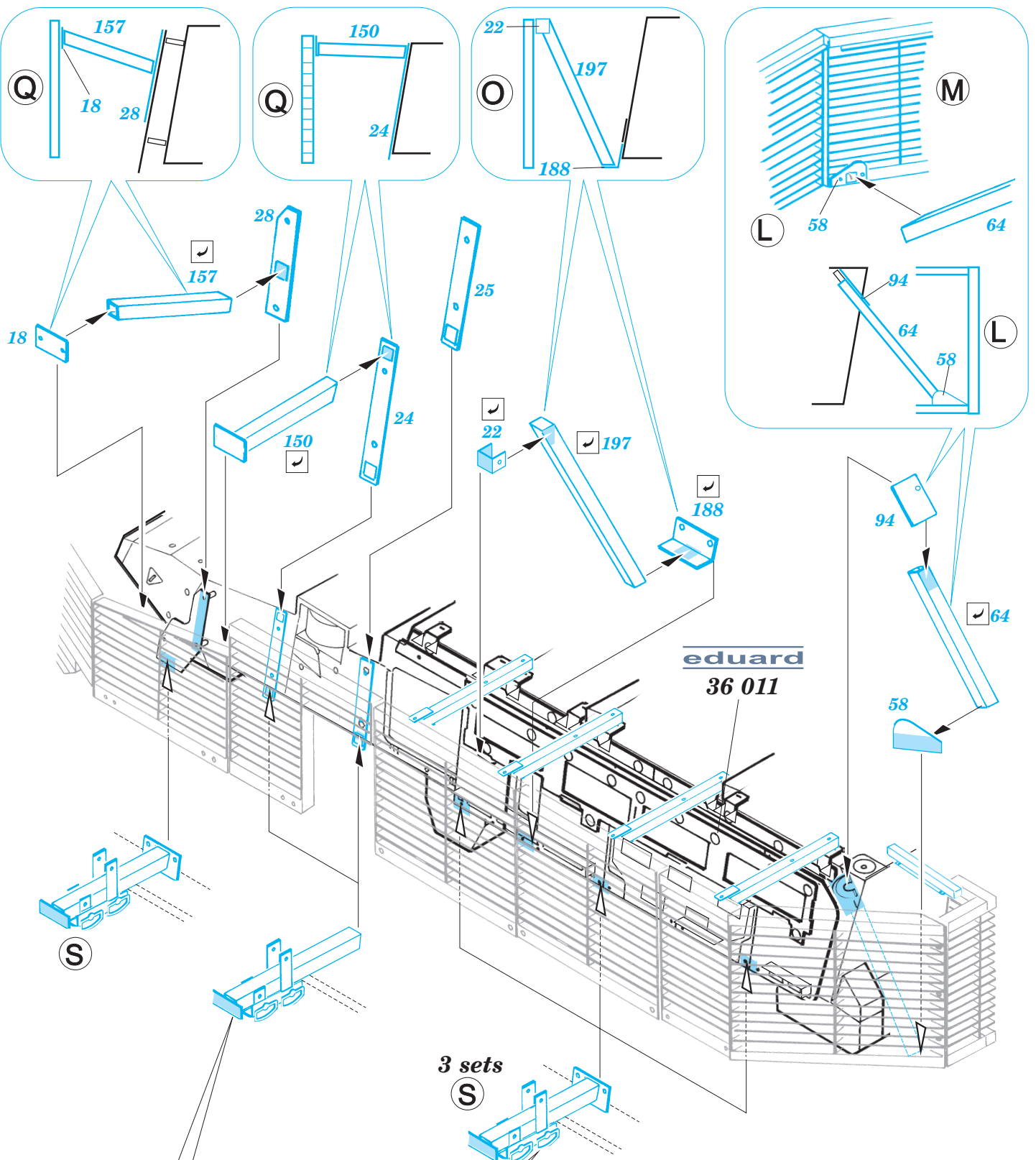
**M**

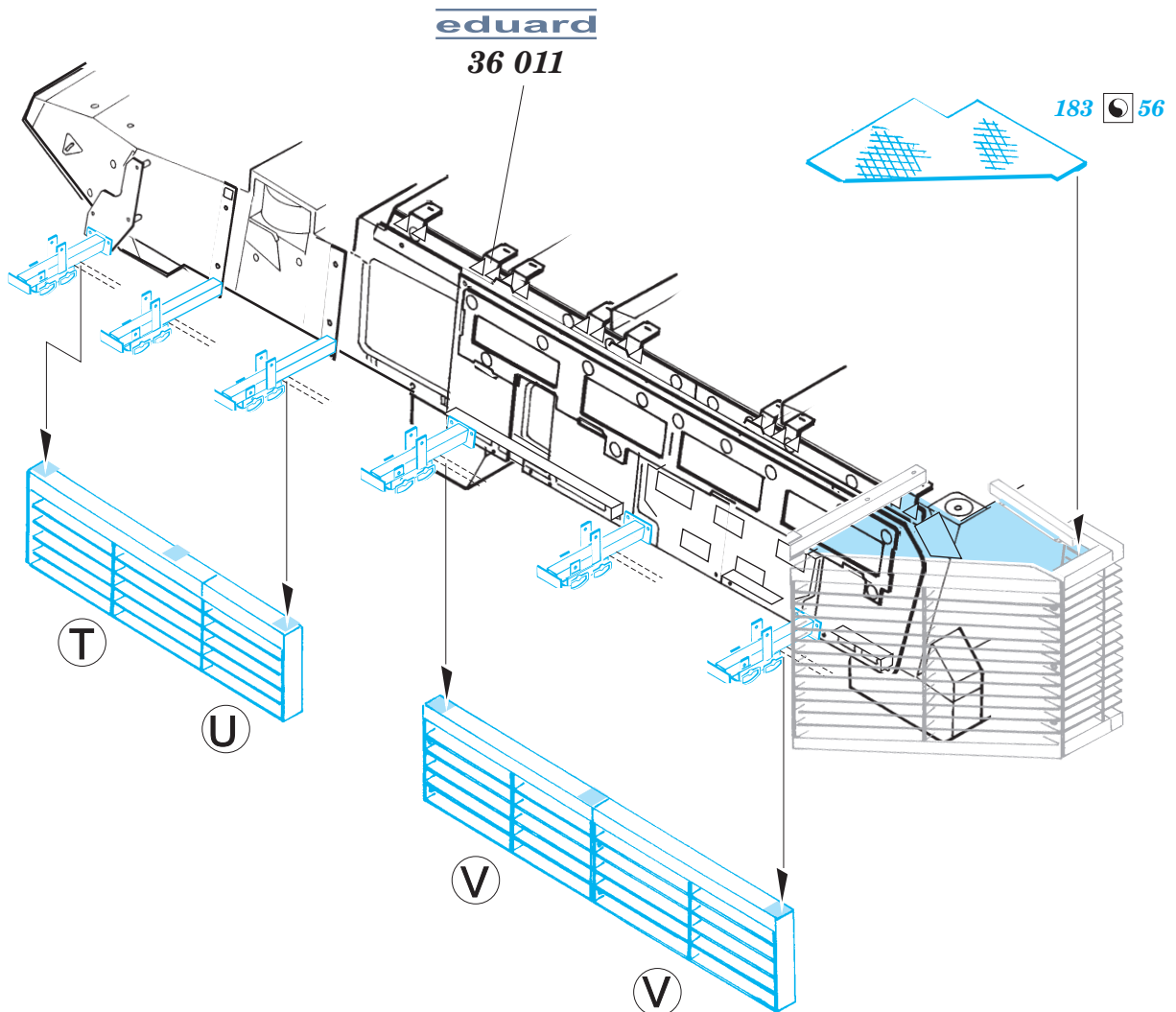
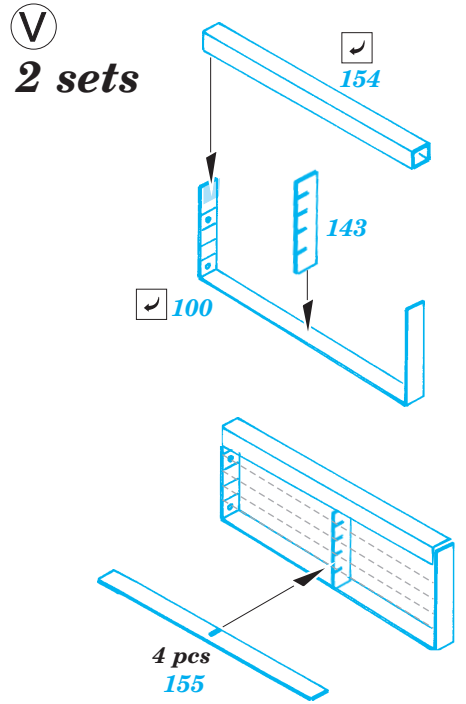
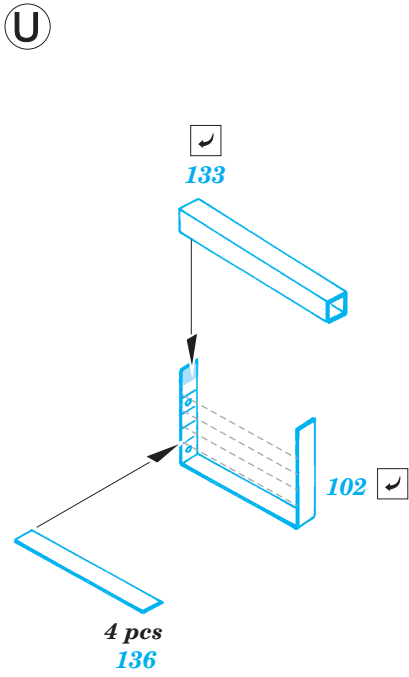
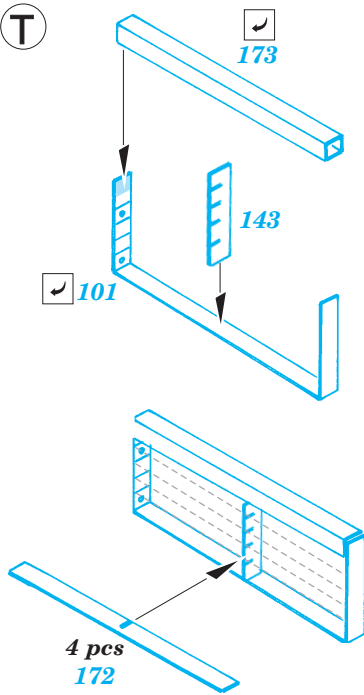


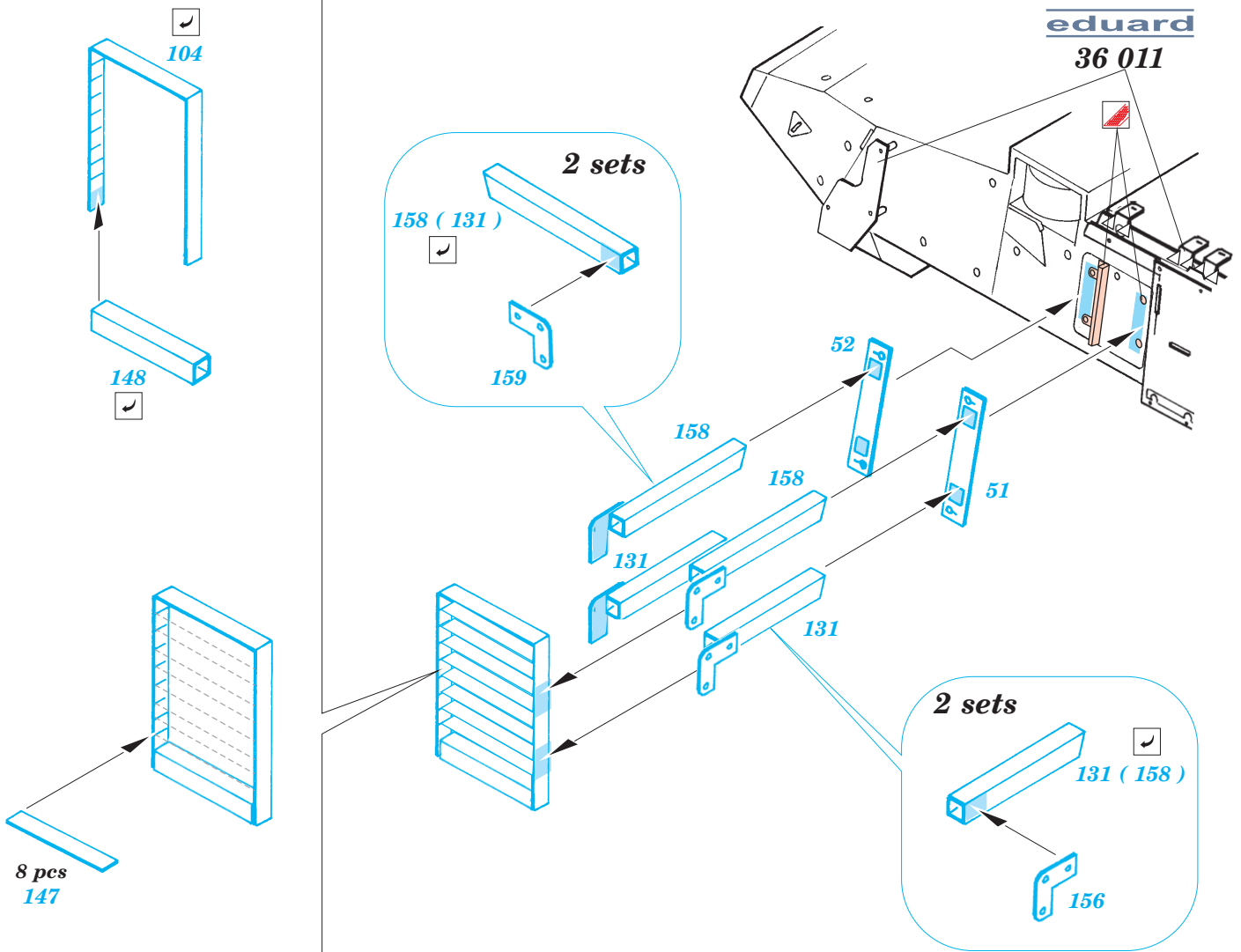






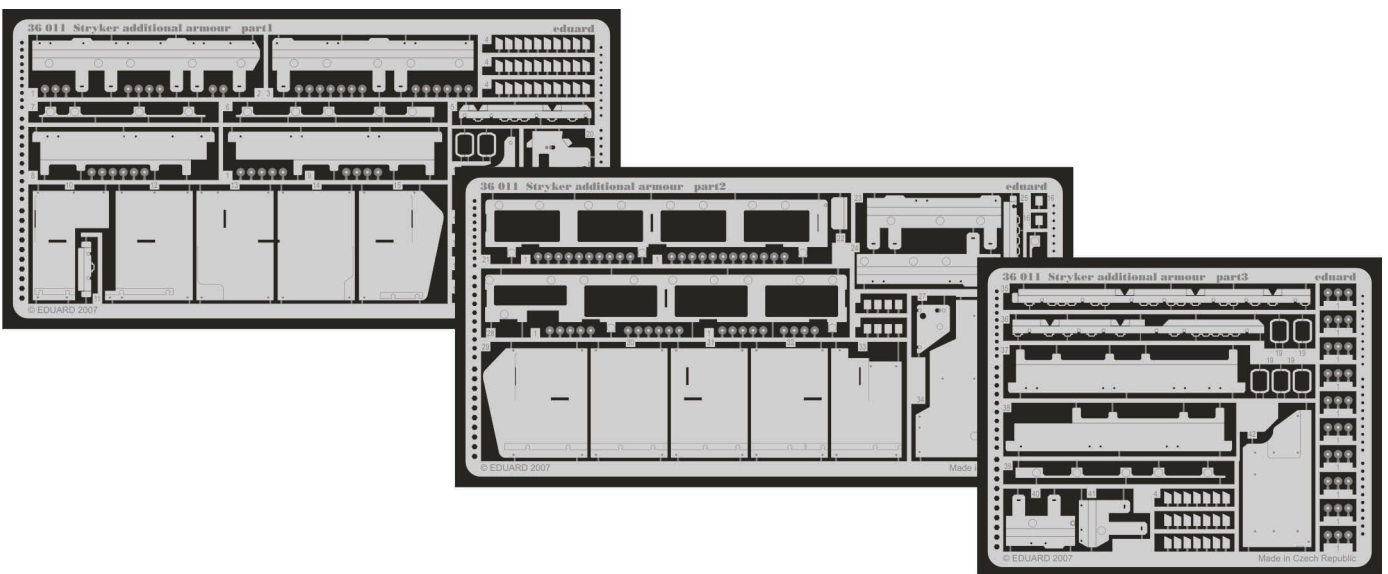






References: <http://www.primeportal.net/apc/stryker.htm>

***This set must be used on base eduard 36 011 Stryker additional armor (not included in this set)***



***For further detail sets look for eduard 35 993 M-1126 Stryker ICV, 36 003 Stryker Mounted rack and belts, 36 001 Stryker storage belts and TP 087 Stryker exhaust deflector (not included in this set)***