

Carro armato L6/40

MICRODETAILS SET
1/35 Scale

ITEM NO. 595

The parts included in this kit are to be assembled in conjunction with the Italeri 6469. For best results in the assembling of photo-etched and resin parts use cyanoacrylate glue. Always remember to use cyanoacrylate glue in a well ventilated area. Before assembling be sure to remove all the parts to be substituted with photo-etched parts. It is advisable before assembling to study well the instructions which accompany this kit plus any other sufficient documentation. It is advise to heat the metal parts before glueing, once the metal is hot it will be easier to bend.

ROYAL MODEL - Via E. Montale, 19- 95030 PEDARA (CT) ITALY
e-mail: info@royalmodel.com - Internet: www.royalmodel.com

↔ Repeat same operation for the other side

☞ To be heated

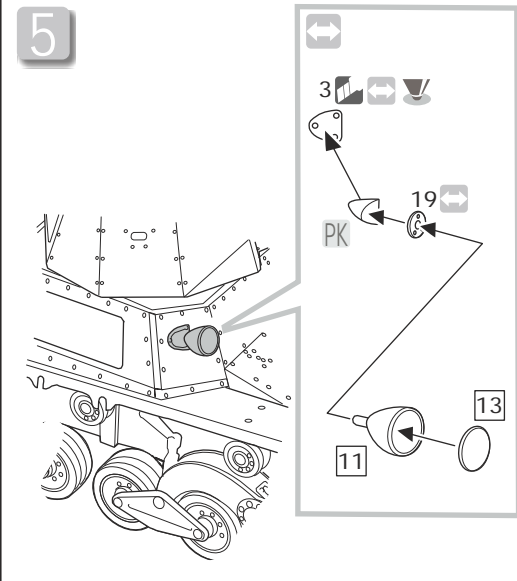
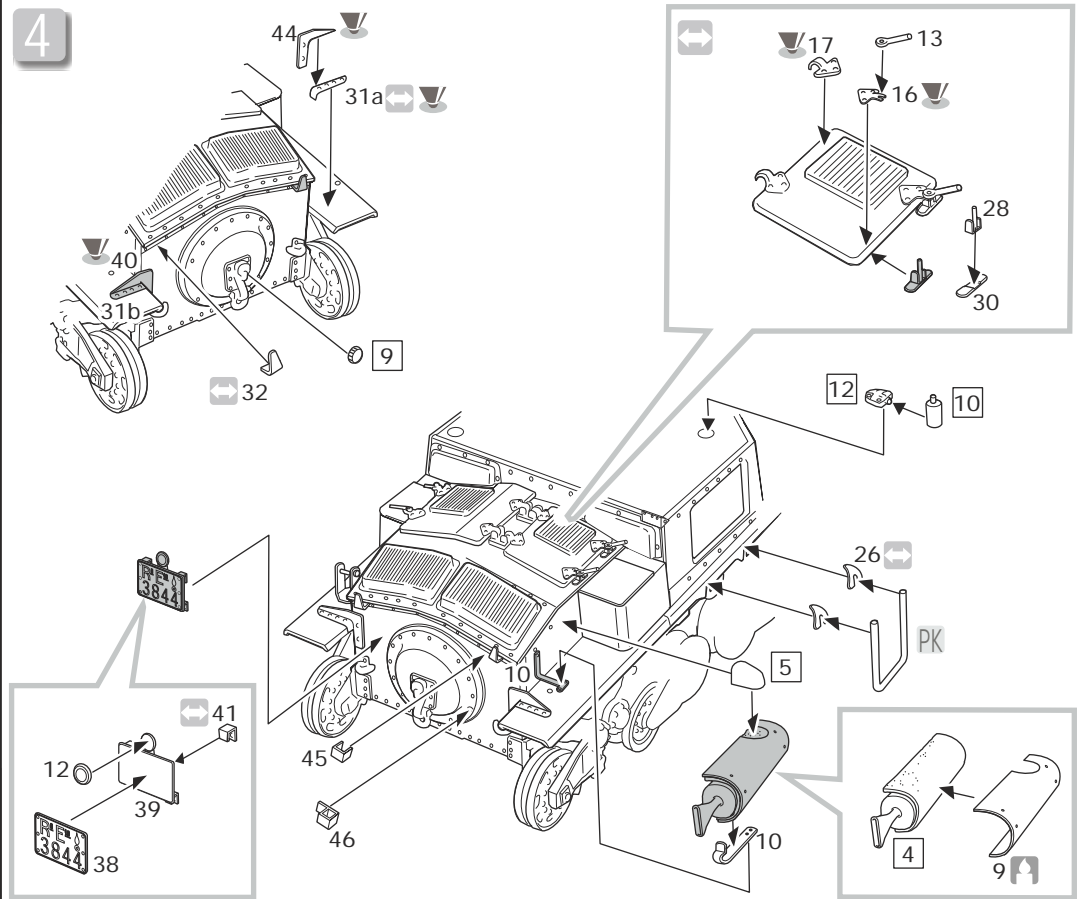
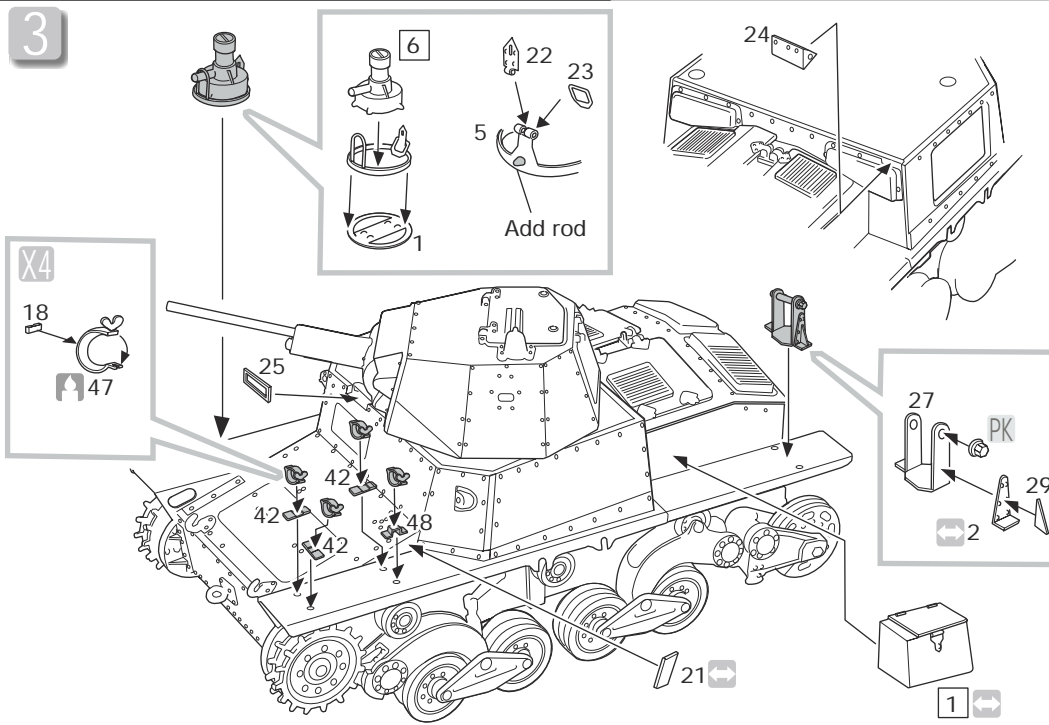
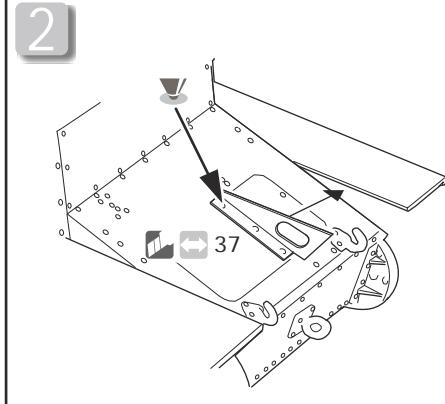
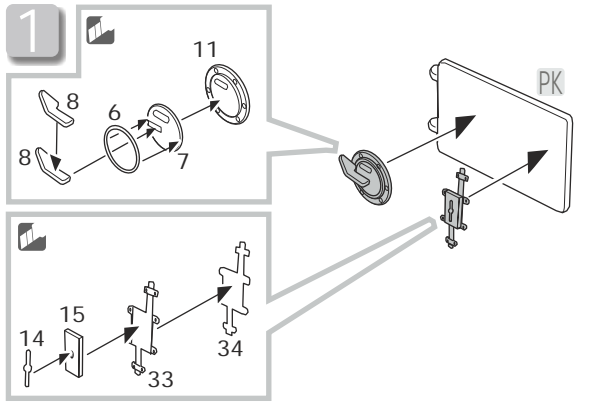
☞ Remove or substitute the plastic kit part

X2 Make 2 pieces


PK Plastik kit part

☞ Make screws/bolts

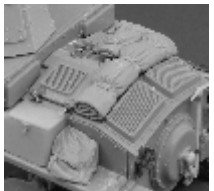
For to make the nuts to press into the references points with a pen as shown.




If ulterior accessories are required for this model it is possible to use this ROYAL MODEL items:



565-Stowage L6/40



485 Italian Tanker No.1 (WWII)



478-L6/40 Turret