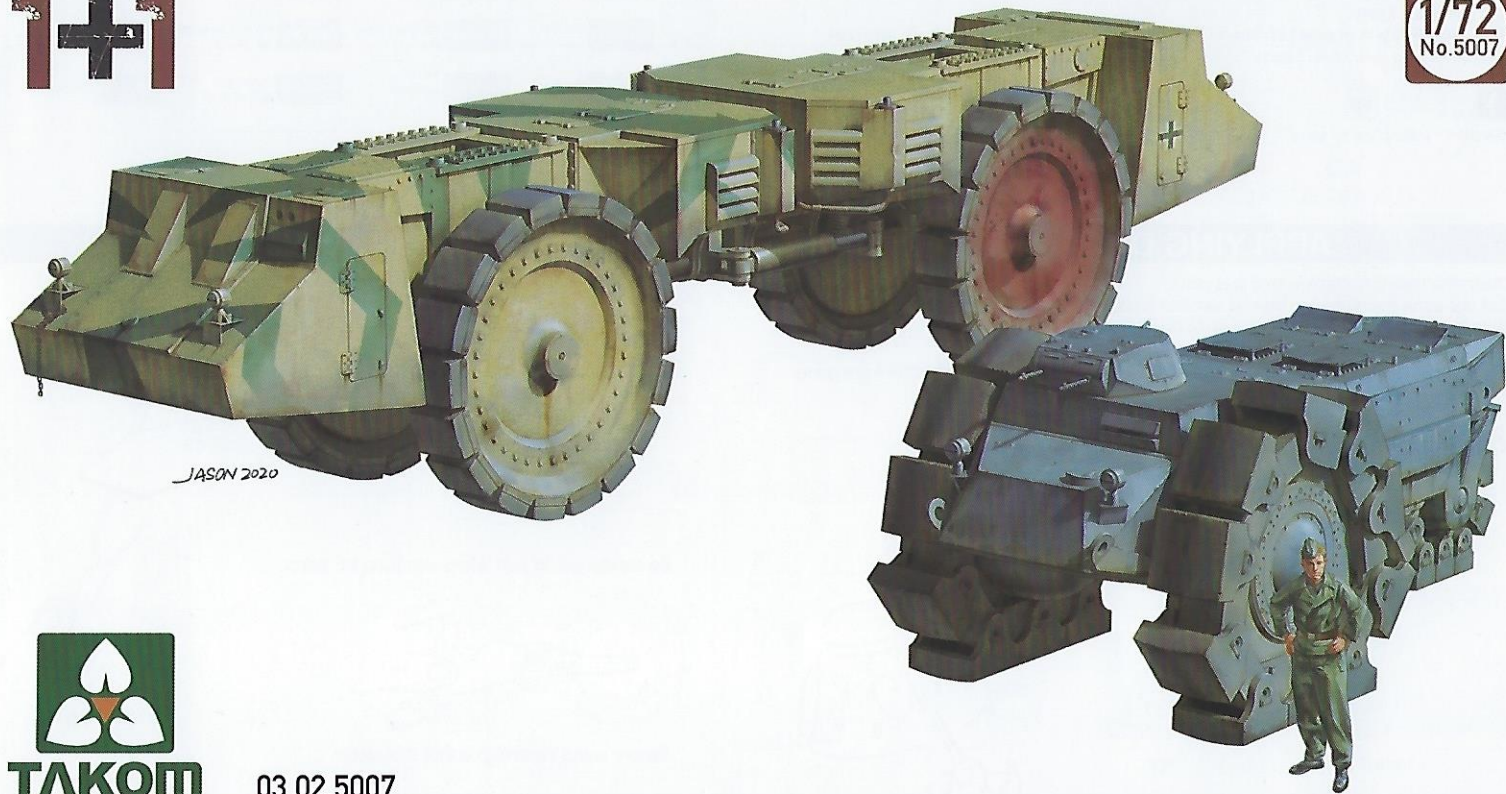


# KRUPP RAUMER + Vs.Kfz.617

1+1

1/72  
No.5007



TAKOM

03.02.5007

# READ BEFORE ASSEMBLY

## CAUTION

- Read carefully and fully understand the instructions before commencing assembly. A supervising adult should also read the instructions if a child assembles the model.
- When assembling this kit, tools including knives used. Extra care should be taken to avoid personal injury.
- Keep out of reach of small children. Children must not be allowed to suck any part, or pull vinyl bag over their heads.



Be Careful



Instant Glue for Metal



Do Not Cement

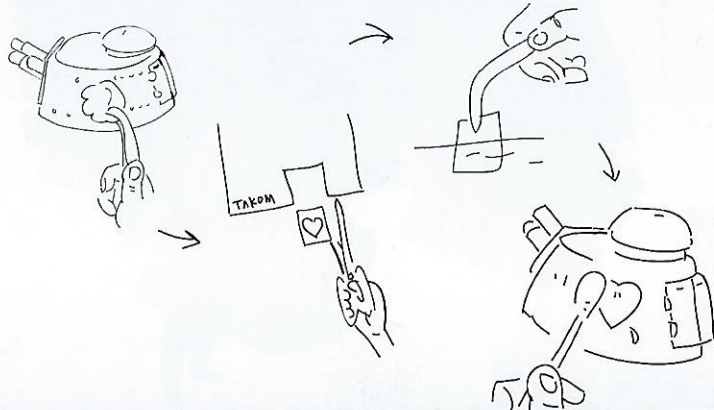
## PAINTS REQUIRED

Color info and profiles by Mig Jimenez

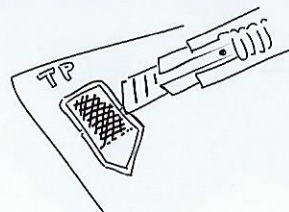
A.MIG-0035	Dark Tracks	A.MIG-0045	Gun Metal	A.MIG-0908	Dunkelgrau Base	A.MIG-0010	RAL 7028 Dunkelgelb (Mid Wa
A.MIG-0015	RAL 8017 Schokobraun	A.MIG-0002	RAL 6003 Olivgrun Opt.2	A.MIG-0011	RAL 7028 Dunkelgelb Aus' 44 DGI	A.MIG-0003	RAL 6011 Resedagrun
A.MIG-0041	Dark Rust	A.MIG-0014	Rotbroun	A.MIG-0012	Dunkelgelb AUS' 44 DG III	A.MIG-0047	Satin White
A.MIG-0209	Light Grey	A.MIG-0909	Grey Light Base				

## APPLYING DECALS

1. Clean the model surface with a wet cloth.
2. Cut out each decal design from sheet, and dip it in tepid water for 15~20 sec.
3. Hold the backing sheet edge and slide decal onto the model.
4. Move decal into position by wetting decal with finger.
5. Press decal gently down with a soft cloth until excess water and air bubbles are gone.



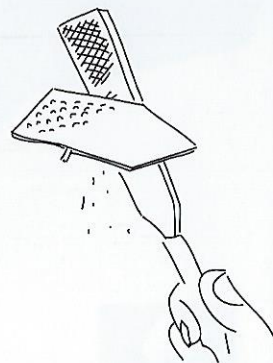
## REMOVING PE



Be careful not to hurt when removing PE parts.

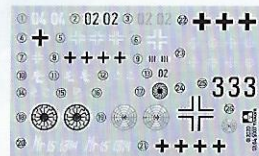
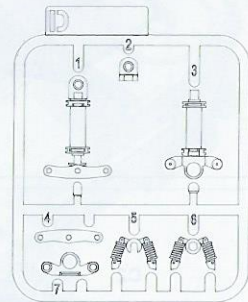
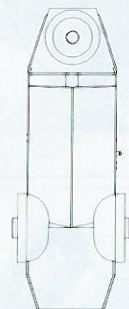
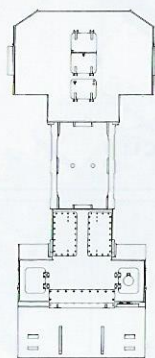
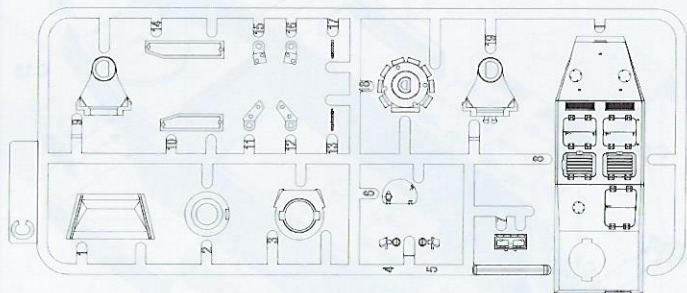
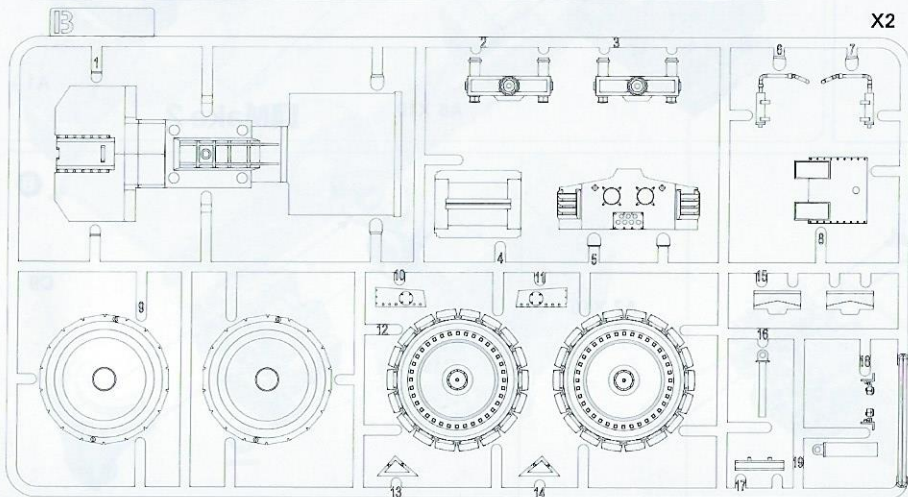
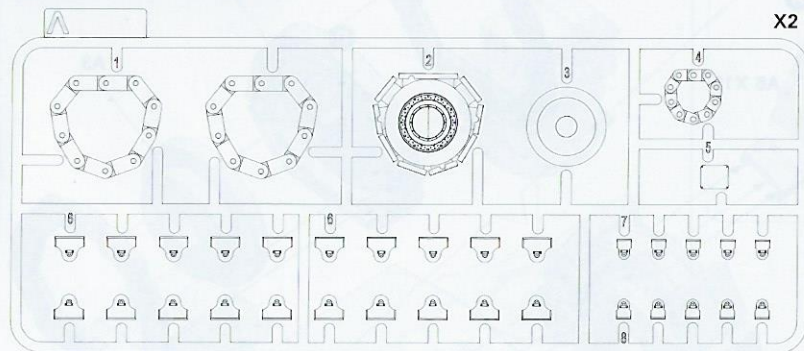


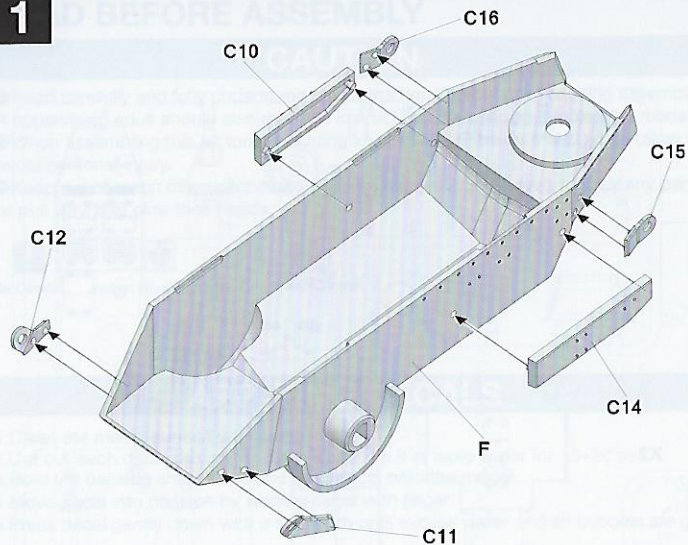
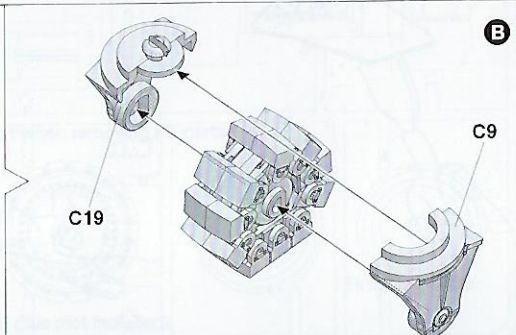
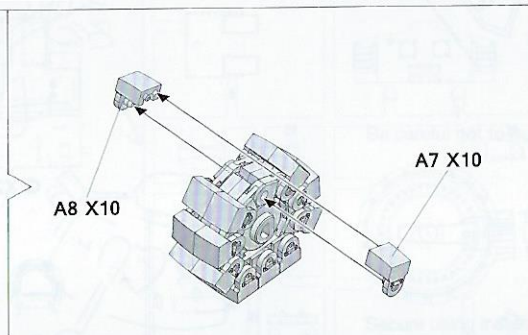
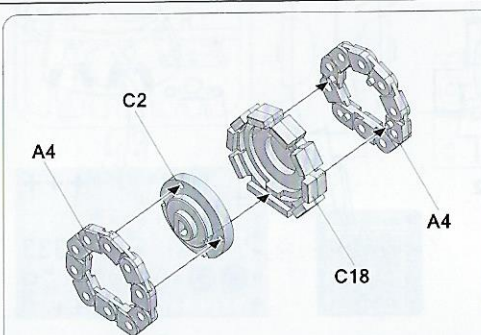
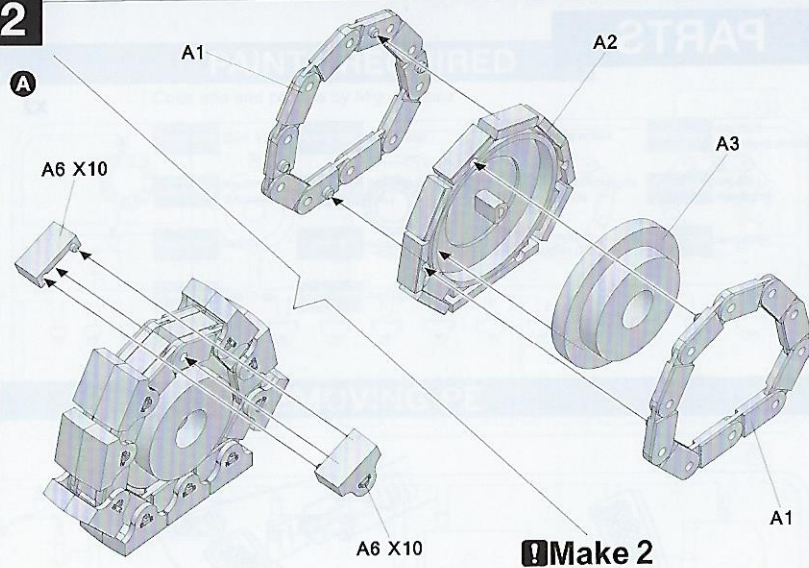
Secure using instant glue (not included).



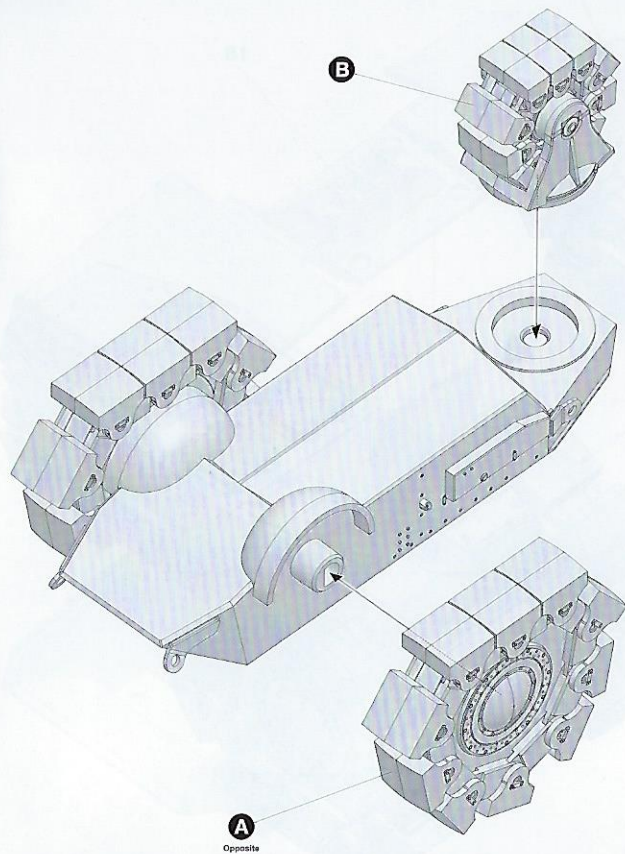
Finish using file.

# PARTS

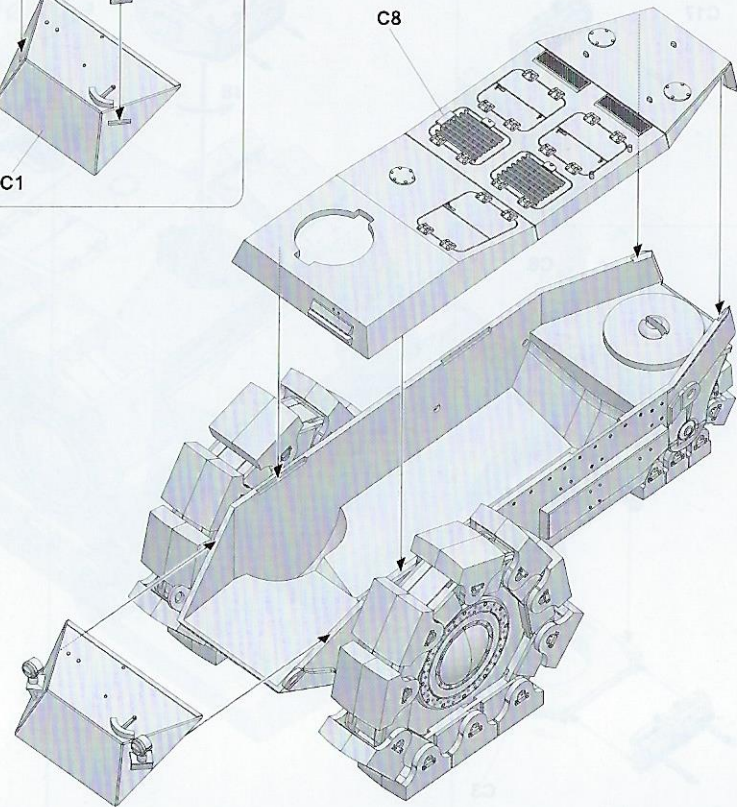
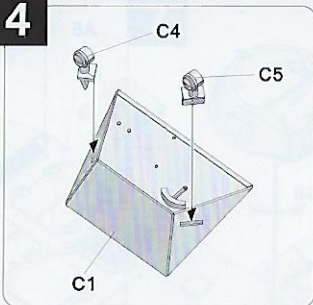


**1****2****3**

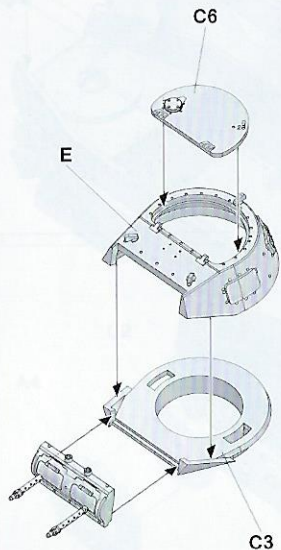
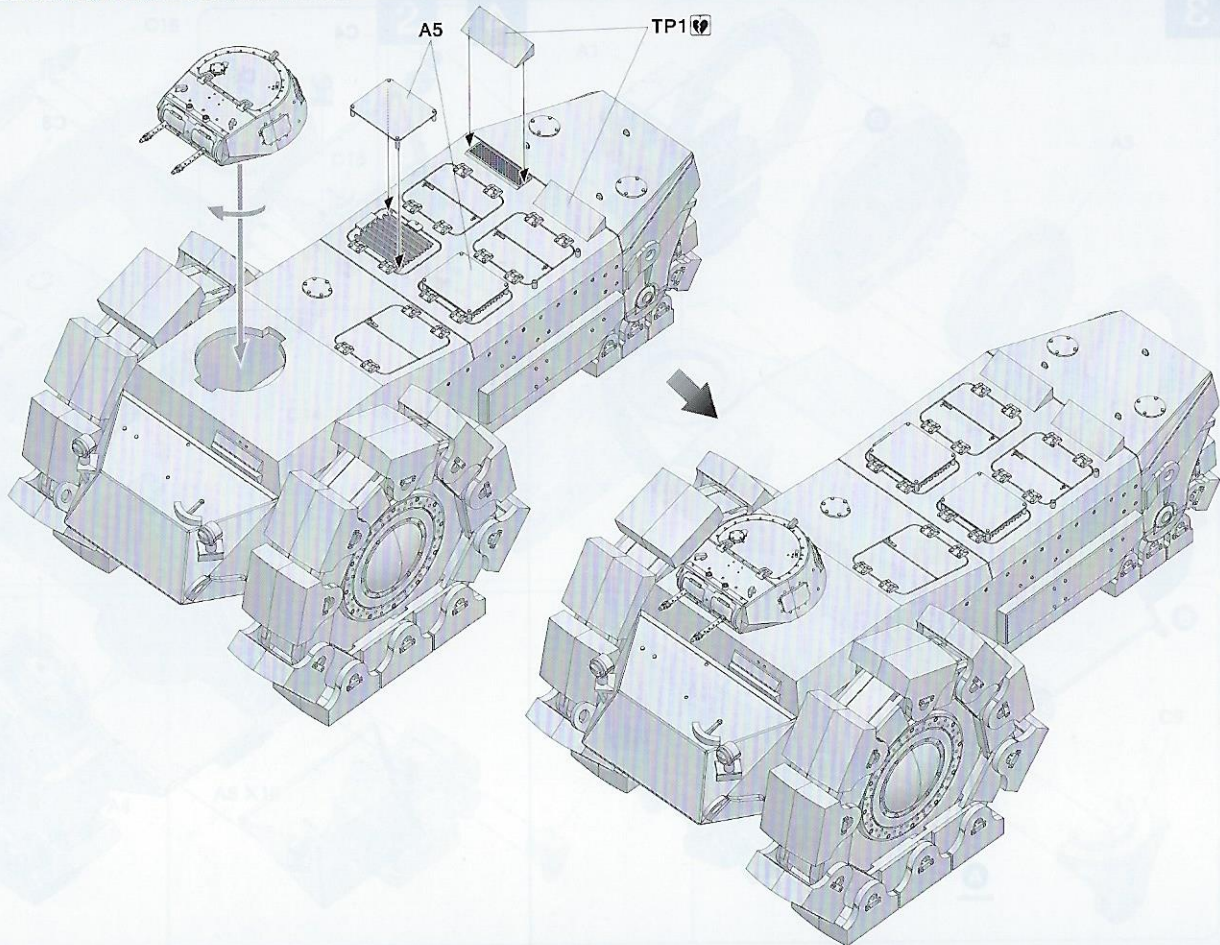
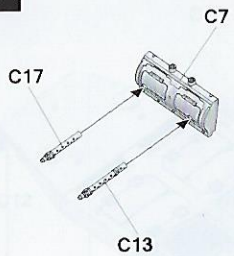
3



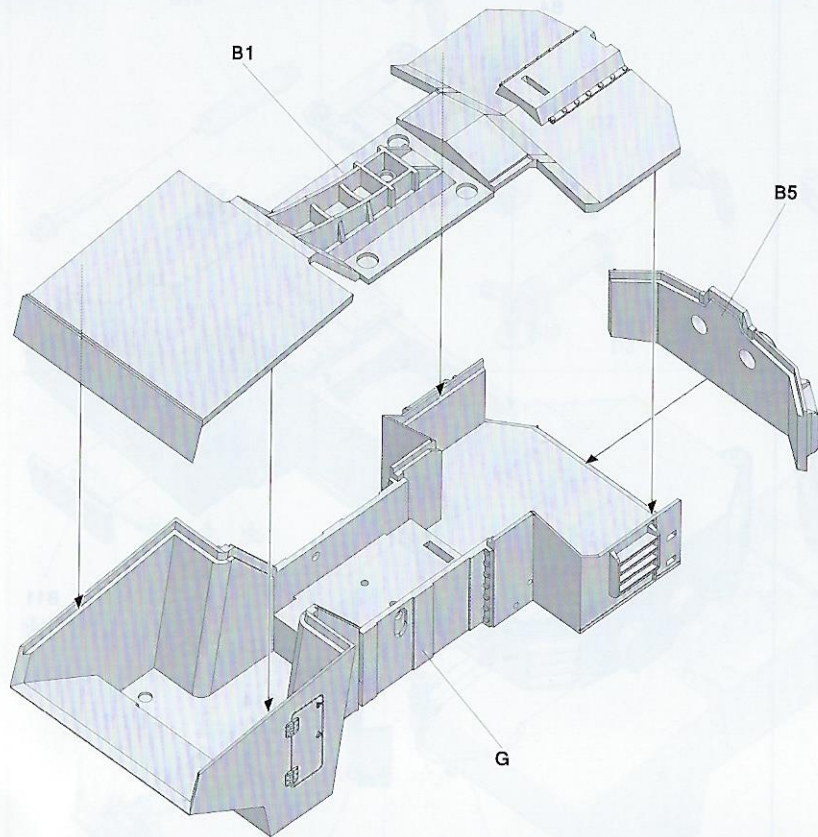
4



5

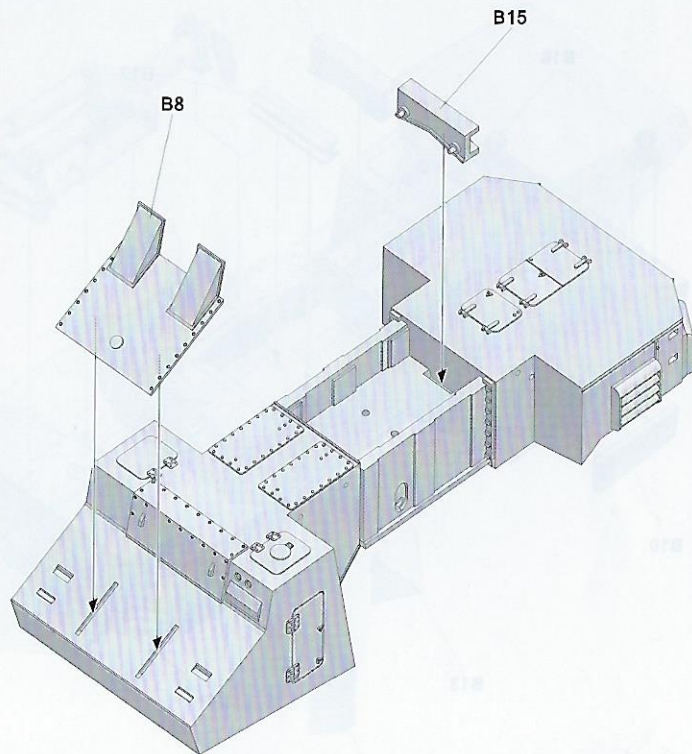


6



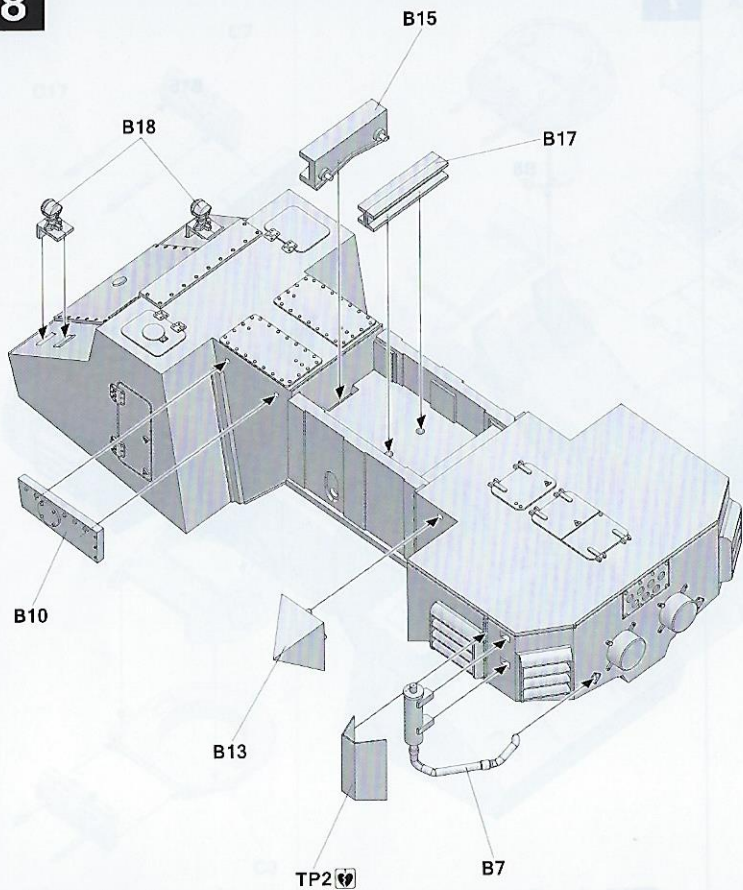
 Make 2

7

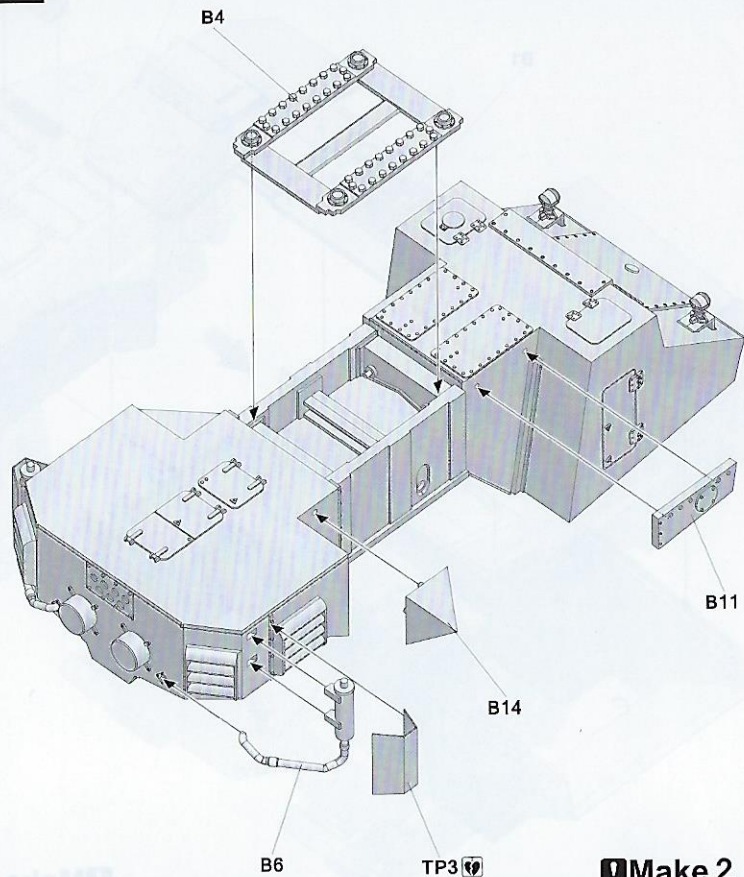


 Make 2

8

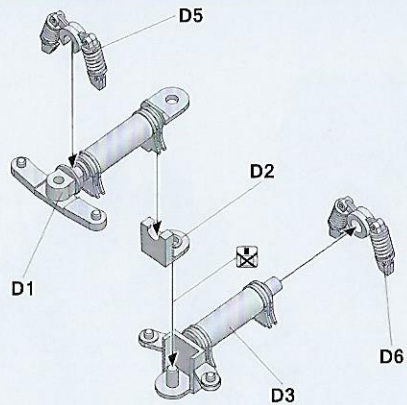
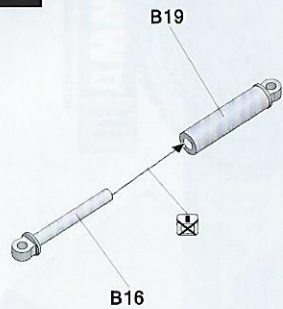


9

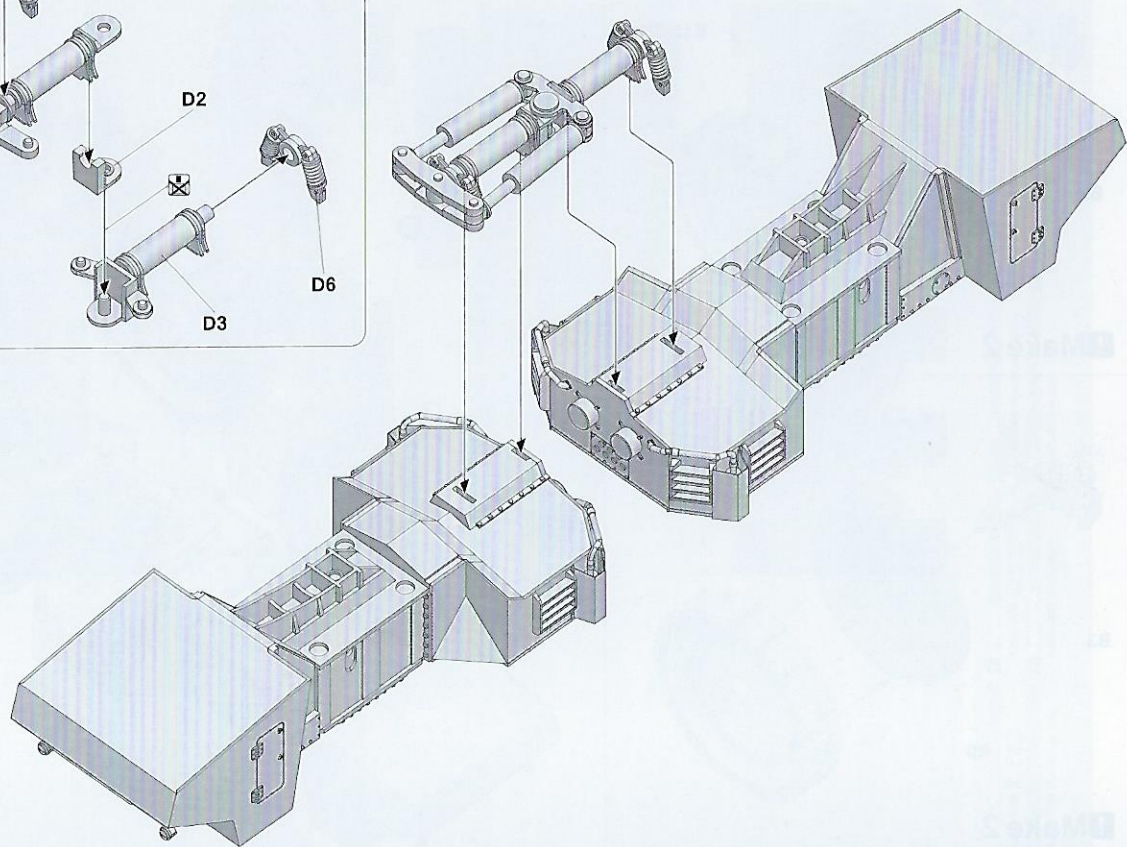
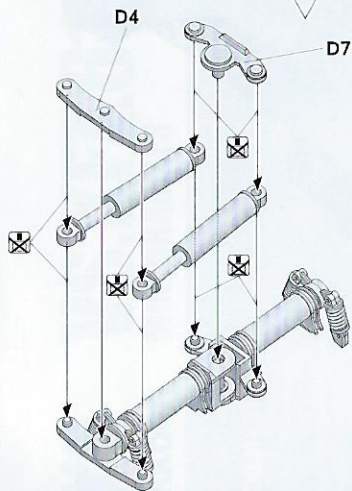


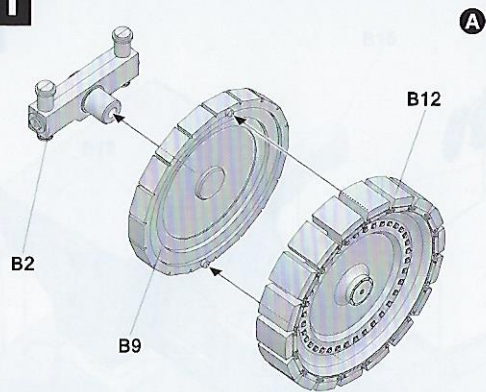


10

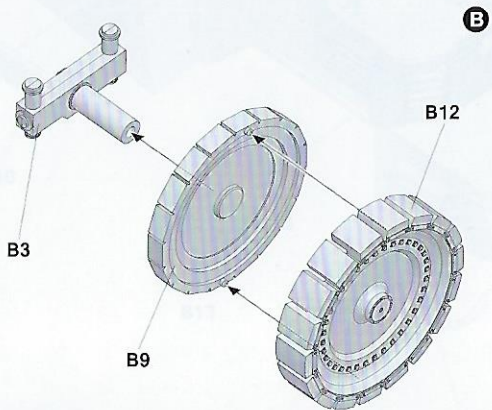


Make 2

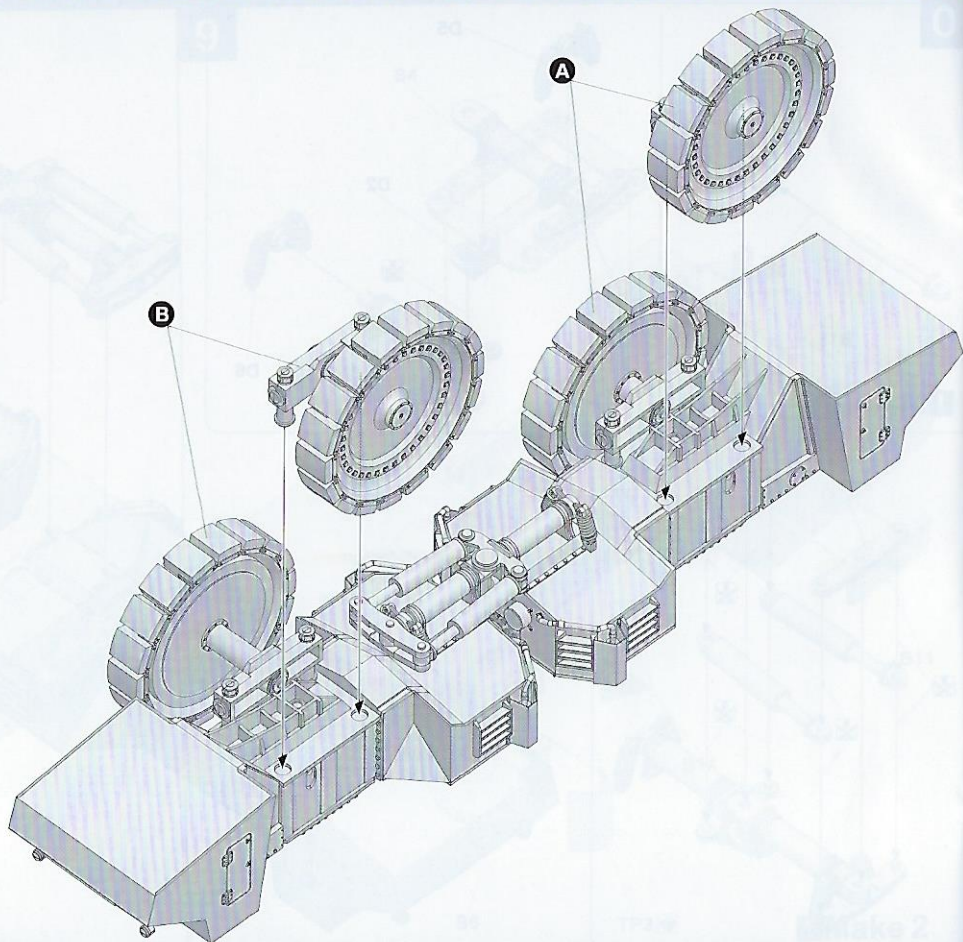




**Make 2**



**Make 2**



03.03.5007



# VS.KFZ.617

## MINENRAUMER

www.migjimez.com



### Painting and Marking Guide

A.MIG-0035 Dark Wash

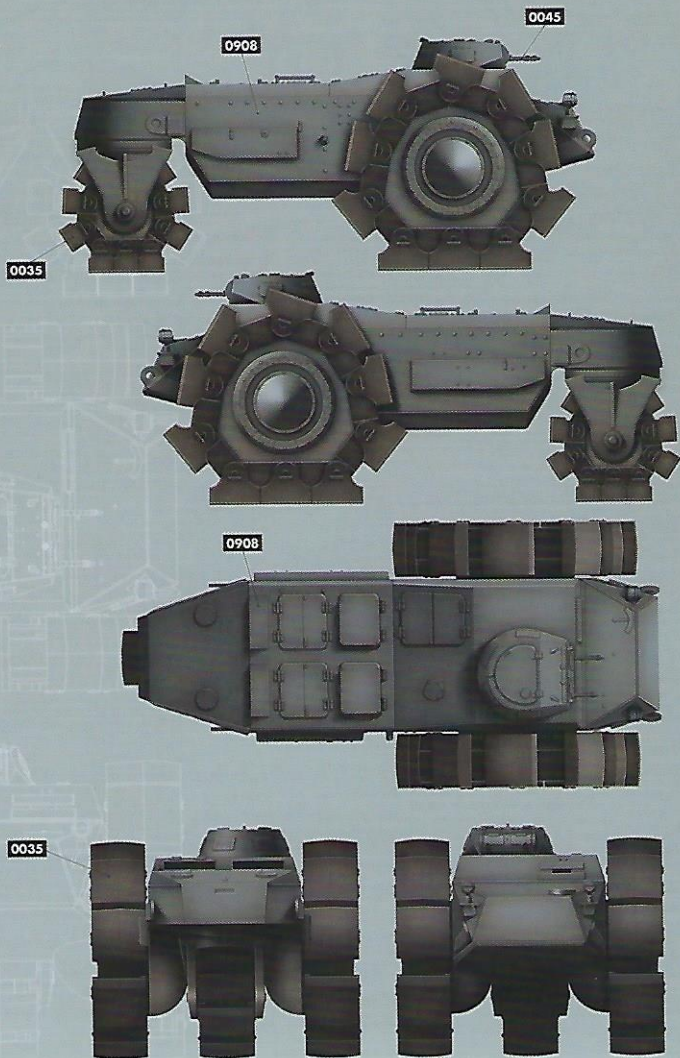
A.MIG-0045 Gun Metal

A.MIG-0908 Weathering Primer

TAKOM Ref: 5007

Vs Kfz 617 Minenräumer

Nr.101, Fahrgestell Nummer 9537,  
Entwicklungs- und Erprobungsstätte,  
Kummerdorf, April 1945



#### WEATHERING STEPS WITH AMMO PRODUCTS

##### 1 GENERAL WASH

**A.MIG-1006** Blue Wash for Panzer Grey

##### 2 FILTER

**A.MIG-1509** Blue for Dark Grey

##### 3 STREAKING

**A.MIG-1202** Streaking Grime for Panzer Grey

##### 4 TRACKS WASH

**A.MIG-1002** Tracks Wash

##### 5 RAINMARKS

**A.MIG-1258** Streaking/brusher Dust

##### 6 DUST

**A.MIG-3013** Rubble

##### 7 MUD

**A.MIG-1703** Moist Ground

##### 8 SPLASHES

**A.MIG-1752** Loose Ground

##### 9 FUEL

**A.MIG-1409** Fuel Stains

##### 10 OIL

**A.MIG-1408** Fresh Engine Oil

03.03.5007



# VS.KFZ.617

## MINENRAUMER

www.migjimenez.com



by MIG Jimenez

### Painting and Marking Guide

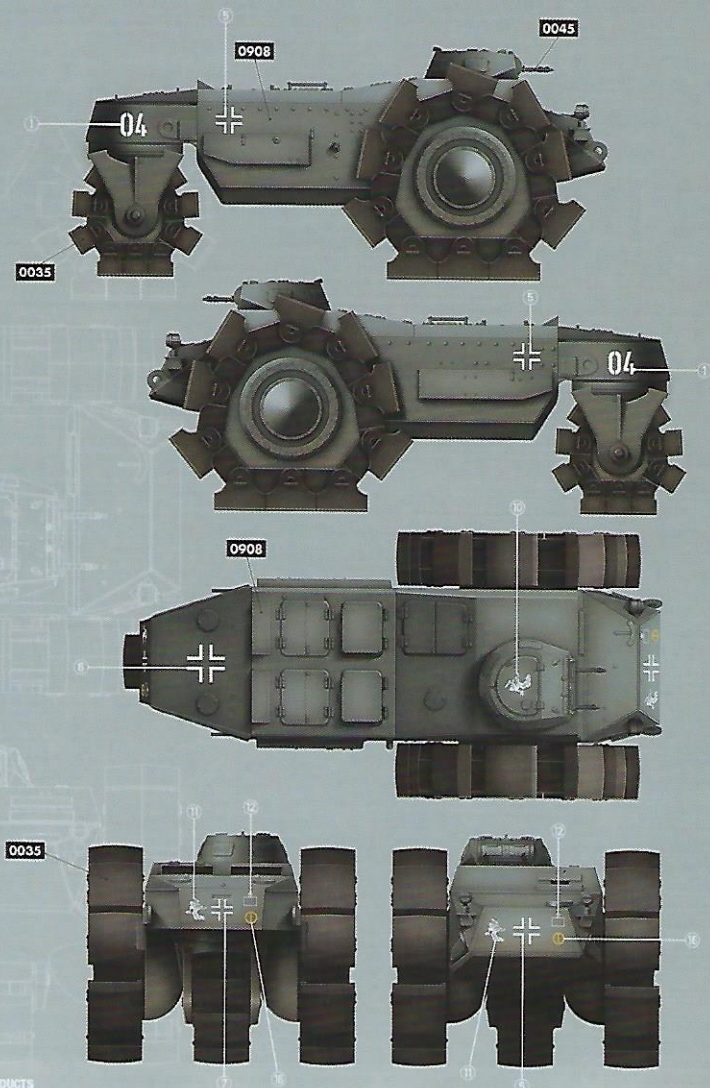
TAKOM Ref. 5007

Vs.Kfz.617 Minenräumer

209th Panzer Pioneer Battalion,  
11th Panzer Division, Chir River,  
December 1942



A.MIG-0035 Dark Tracks    A.MIG-0045 Chalk Mud    A.MIG-0060 Substrate Base



#### WEATHERING STEPS WITH AMMO PRODUCTS

##### 1 GENERAL WASH

**A.MIG-1006** Blue Wash for  
Panzer Grey

##### 2 FILTER

**A.MIG-1500** Blue for Dark Grey

##### 3 STREAKING

**A.MIG-1202** Streaking Grime for  
Panzer Grey

##### 4 TRACKS WASH

**A.MIG-1002** Tracks Wash

##### 5 RUST

**A.MIG-1254** Streaking/brusher Rust

##### 6 MUST

**A.MIG-3007** Dark Earth

##### 7 MUD

**A.MIG-1705** Wet Mud

##### 8 SPLASHES

**A.MIG-1754** Damp Earth

##### 9 FUEL

**A.MIG-1409** Fuel Stains

##### 10 OIL

**A.MIG-1408** Fresh Engine Oil

03.03.5007



# VS.KFZ.617

## MINENRAUMER

www.migjimenez.com



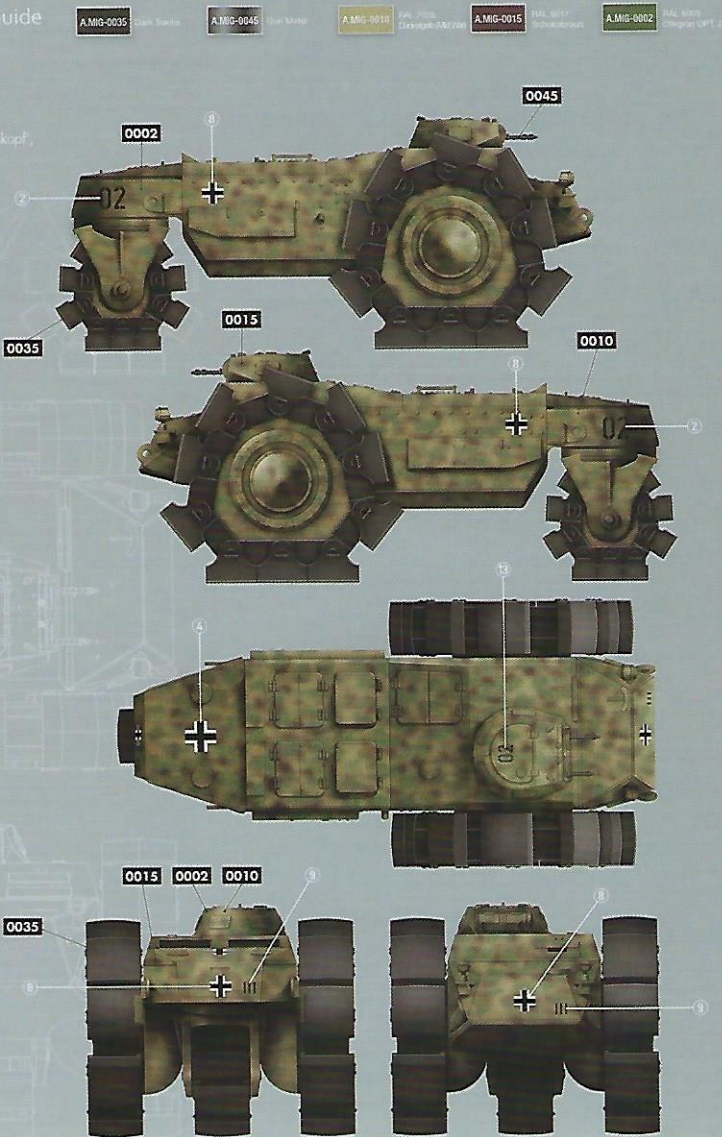
by MIG Jimenez

### Painting and Marking Guide

TAKOM Ref: 5007

Vs.Kfz.617 Minenräumer

2nd Panzer-Pionier-Kompanie,  
3rd Panzer Grenadier Division, 'Totenkopf',  
Kursk, July 1943



#### WEATHERING STEPS WITH AMMO PRODUCTS

<b>1</b> GENERAL WASH A.MIG-1000 Brown Wash for Dark Yellow	<b>3</b> STREAKING A.MIG-1253 Streakingbrusher Grime	<b>5</b> RUST A.MIG-1254 Streakingbrusher Rust	<b>7</b> MUD A.MIG-1702 Turned Earth	<b>9</b> FUEL A.MIG-1409 Fuel Stains
<b>2</b> FILTER A.MIG-1510 Tan for 3 Tone Camo	<b>4</b> TRACKS WASH A.MIG-1002 Tracks Wash	<b>6</b> DUST A.MIG-3004 Europe Earth	<b>8</b> SPLASHES A.MIG-1751 Dry Slopote	<b>10</b> OIL A.MIG-1408 Fresh Engine Oil

### Painting and Marking Guide

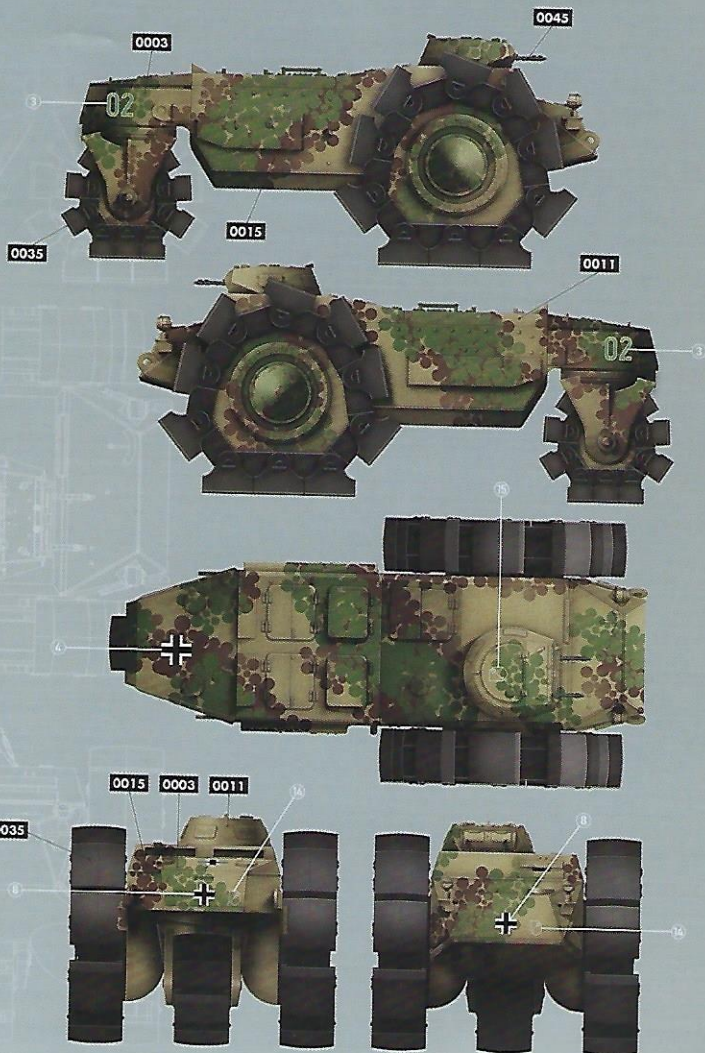
**TAKOM** Ref: 5007

Vs Kfz 617 Minenraumer

3./SS Panzer Pioneer-Battalion 1,  
 Kampfgruppe Peiper, Ardennes,  
 December 1944



A.MIG-0035 Ink Tracks    A.MIG-0046 Dark Mud    A.MIG-0011 RPL (Rust)    RPL (Rust) (Dark)    A.MIG-0015 RAL 3017 Earth    RAL 3017 Earth    RAL 6011 Redoxin  
 A.MIG-0003 RAL 6011 Redoxin



#### WEATHERING STEPS WITH AMMO PRODUCTS

- |   |   |  |   |  |
|---|---|--|---|--|
| <b>1</b> GENERAL WASH<br>A.MIG-1008 Dark Wash     | <b>3</b> STREAKING<br>A.MIG-1206 Dark Streaking Grime | <b>5</b> RUST<br>A.MIG-1204 Streaking Rust Effects | <b>7</b> MUD<br>A.MIG-1704 Heavy Earth      | <b>9</b> FUEL<br>A.MIG-1409 Fuel Stains      |
| <b>2</b> FILTER<br>A.MIG-1510 Tan for 3 Tone Camo | <b>4</b> TRACKS WASH<br>A.MIG-1002 Tracks Wash        | <b>6</b> DUST<br>A.MIG-3029 Winter Soil            | <b>8</b> SPLASHES<br>A.MIG-1753 Turned Dirt | <b>10</b> OIL<br>A.MIG-1408 Fresh Engine Oil |

03.03.5007



# RÄUMER S

Color info and profiles by



## Painting and Marking Guide

A.MIG 035

Dark Tracks

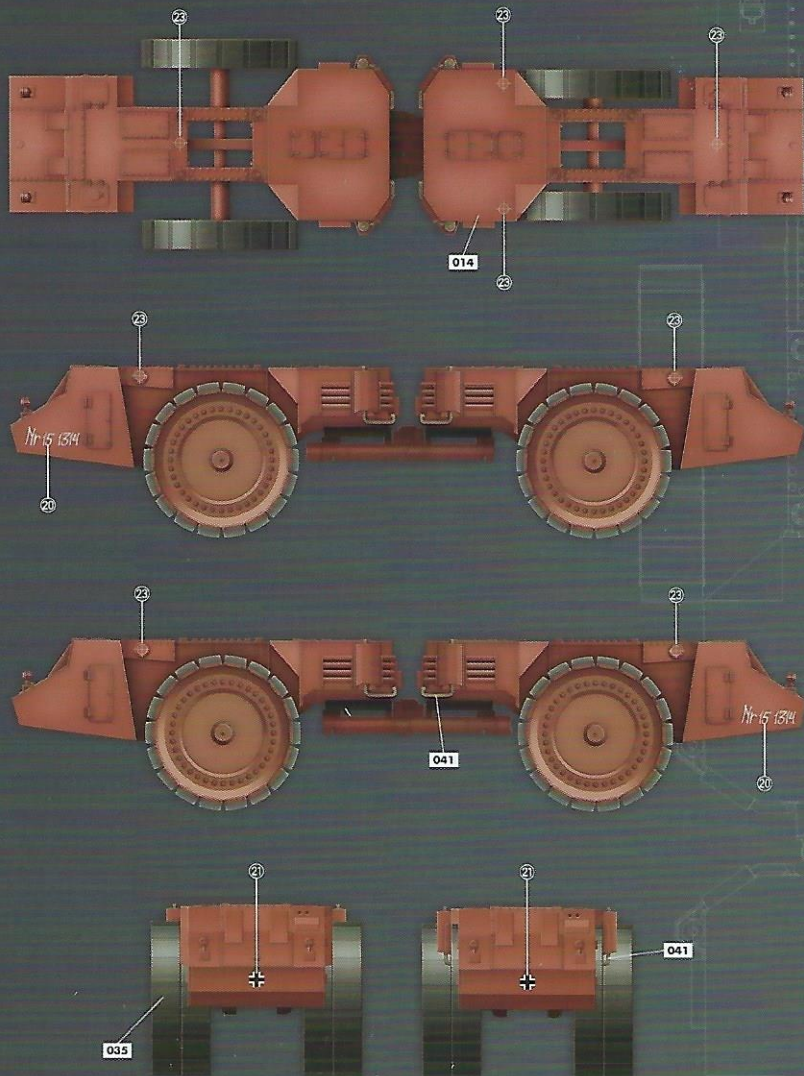
A.MIG 041

Dark Rust

A.MIG 014

Rotbraun

Krupp Räumer S, Krupp Factory, Germany 1945.



03.03.5007



# RÄUMER S

Color info and profiles by



## Painting and Marking Guide

A.MIG 035 Dark Tracks

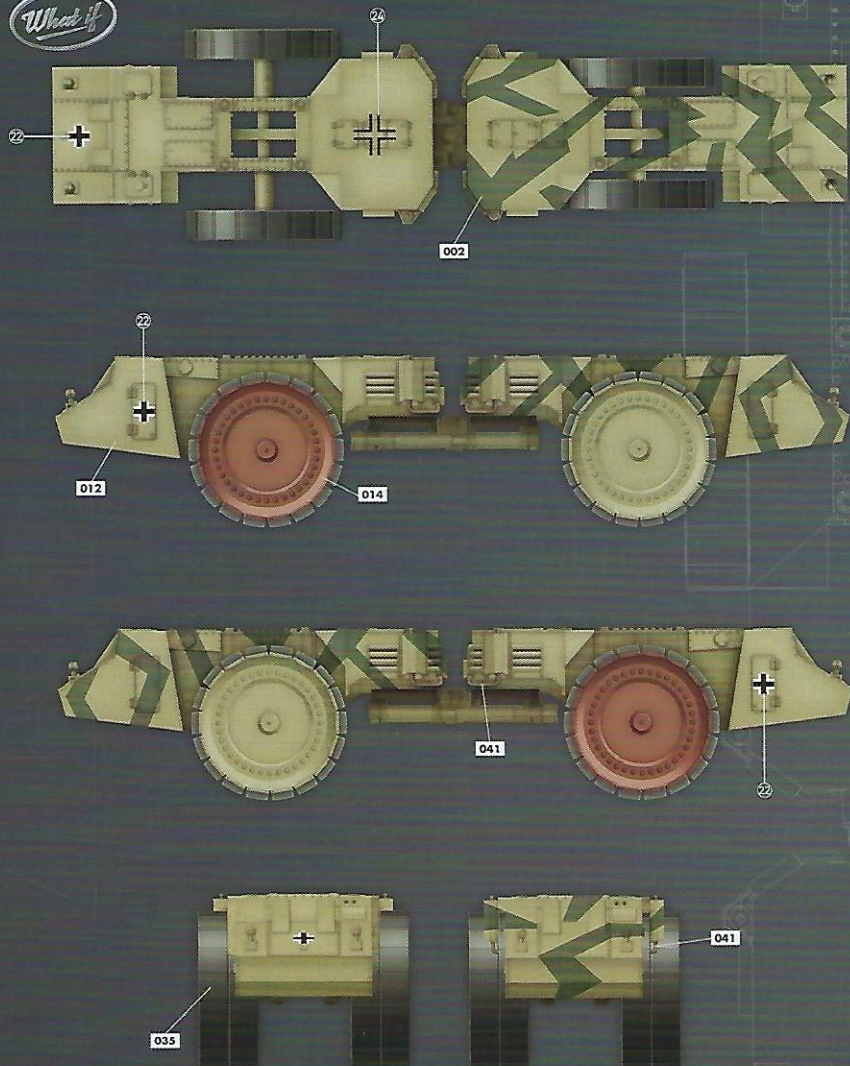
A.MIG 041 Dark Rust

A.MIG 002 Olivgrün Opt. 2

A.MIG 012 Dunkelgelb Aus '44 DG III

A.MIG 014 Rotbraun

Krupp Räumer S, Berlin, 1945.



**TAKOM** WWII German Mine cleaning Vehicle Krupp Räumer S Ref: 5007



03.03.5007



# RÄUMER S

Color info and profiles by



## Painting and Marking Guide

A.MIG 035 Dark Tracks

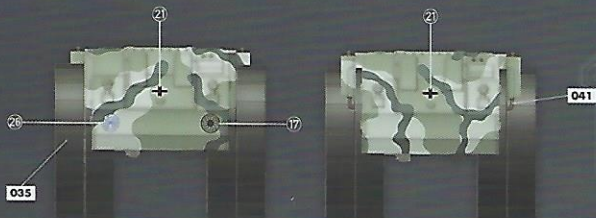
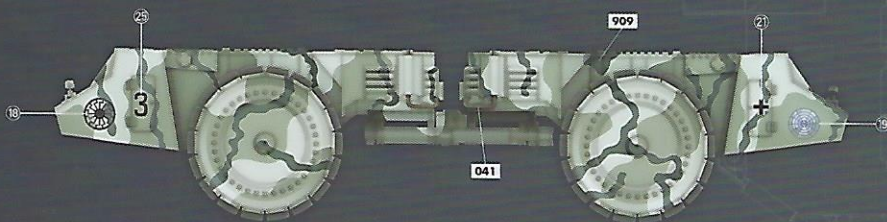
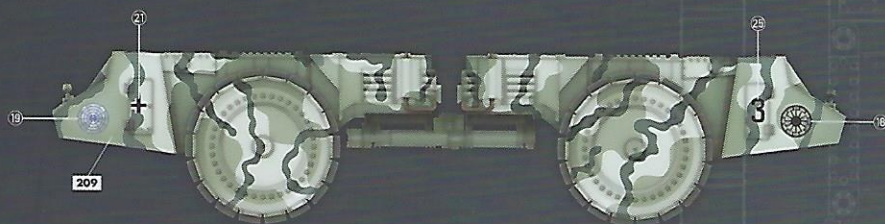
A.MIG 041 Dark Rust

A.MIG 047 Sahn White

A.MIG 209 Light Grey

A.MIG 909 Grey Light Base

Krupp Räumer S, New Swabia, Antarctica, 1947.



**TAKOM** WWII German Mine cleaning Vehicle Krupp Räumer S Ref: 5007

