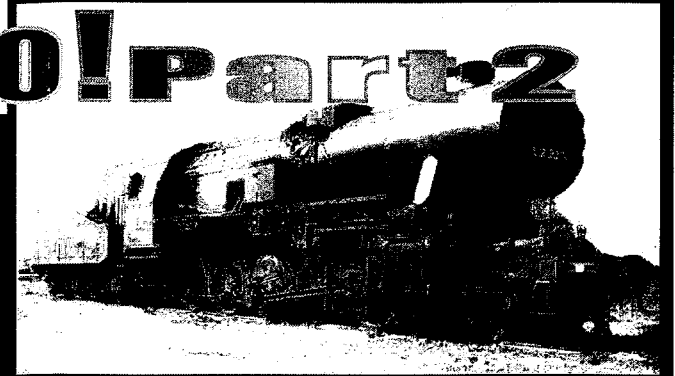


# Baureihe 52 loco! Part 2

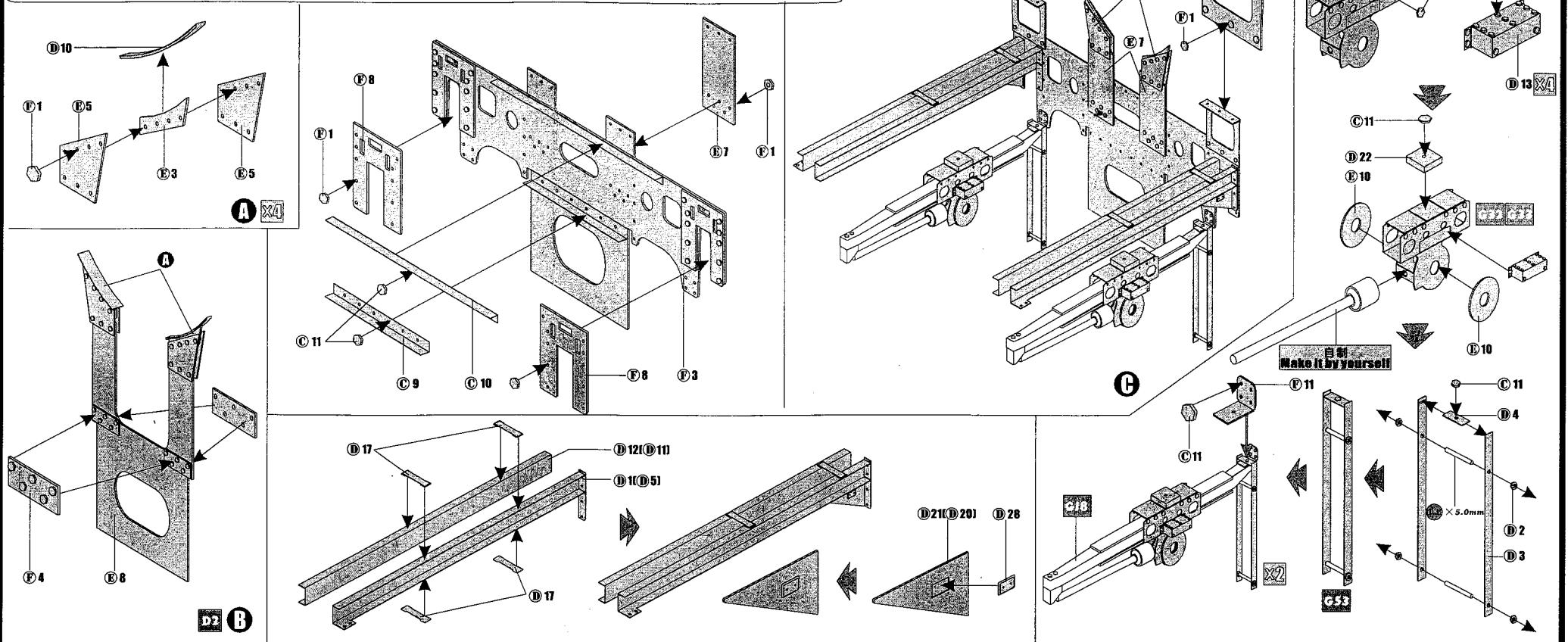
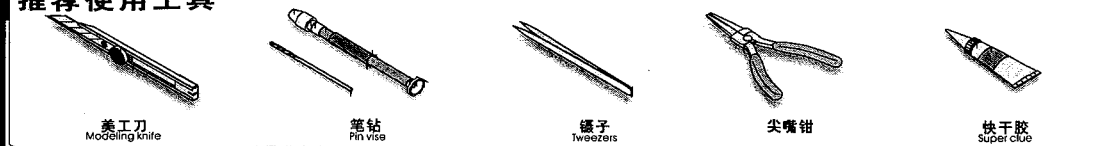
	切除阴影部分 Cutaway		钻孔 Make a hole	00	蚀刻片零件标号 Number of PE parts		注解一 Note 1
	锉平阴影部分 Rasp away		另一侧相同制作 Repeat opposite side	00	原套件零件标号 Number of original parts		注解二 Note 2
	填补 Use filler		安装箭头 Install arrow		被替换的套件标号 Number of replaced parts		根据喜好选择安装 Optional
	弧度弯折 Bend		弯折箭头 Fold arrow		使用圆棒制作 Use ABS rod		制作所若干组 Make some pcs

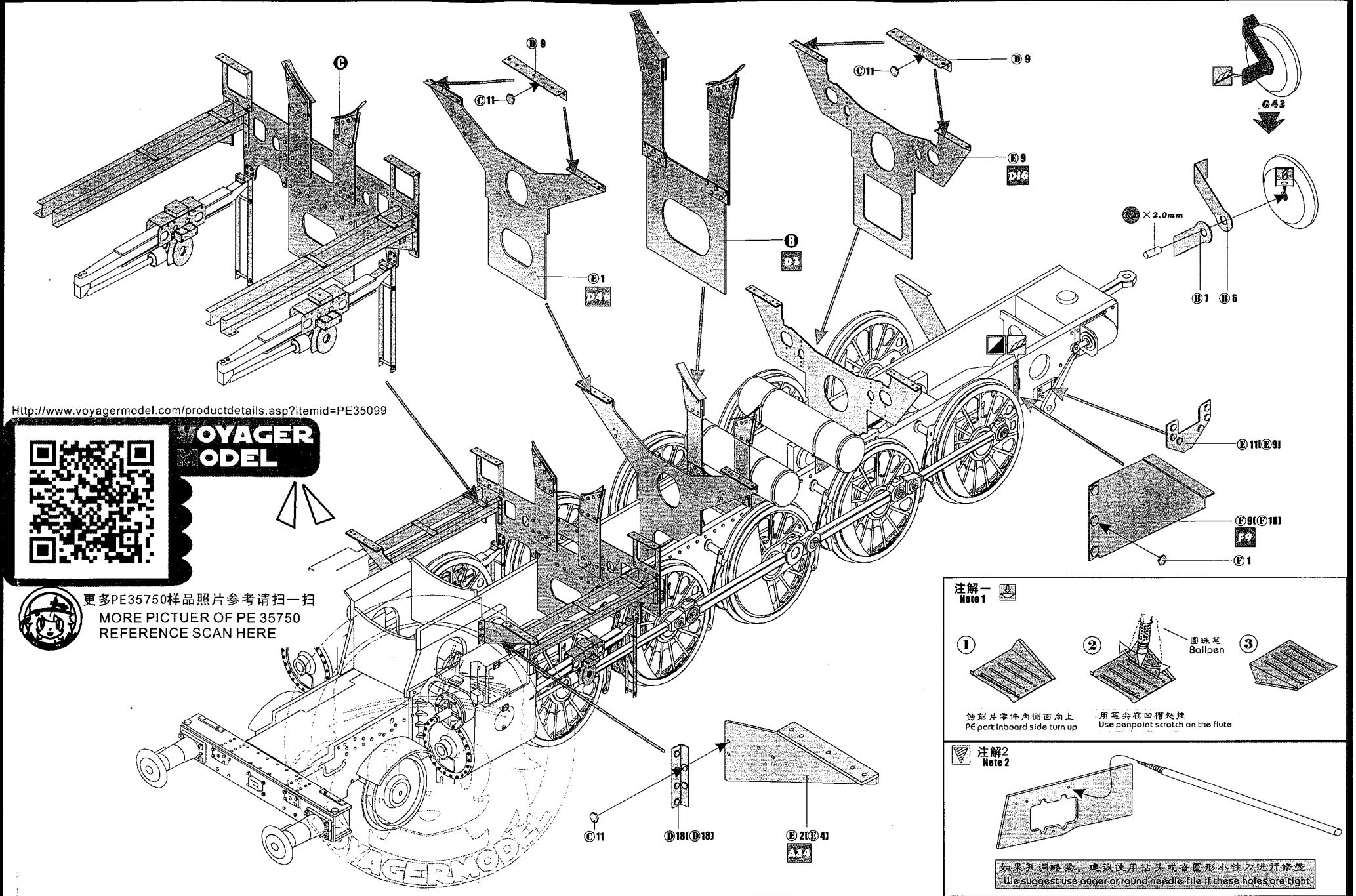
PE UPDATE  
FOR TURMPETER 00210



1/35 MILITARY MINIATURE VEHICLE PE UPGRADE SERIES NO.99

**RECOMMENDED TOOLS**  
推荐使用工具





<http://www.voyagermodel.com/productdetails.asp?itemid=PE35099>



**VOYAGER ODEL**



更多PE35750样品照片参考请扫一扫  
MORE PICTUER OF PE 35750  
REFERENCE SCAN HERE

**注解一**  
Note 1

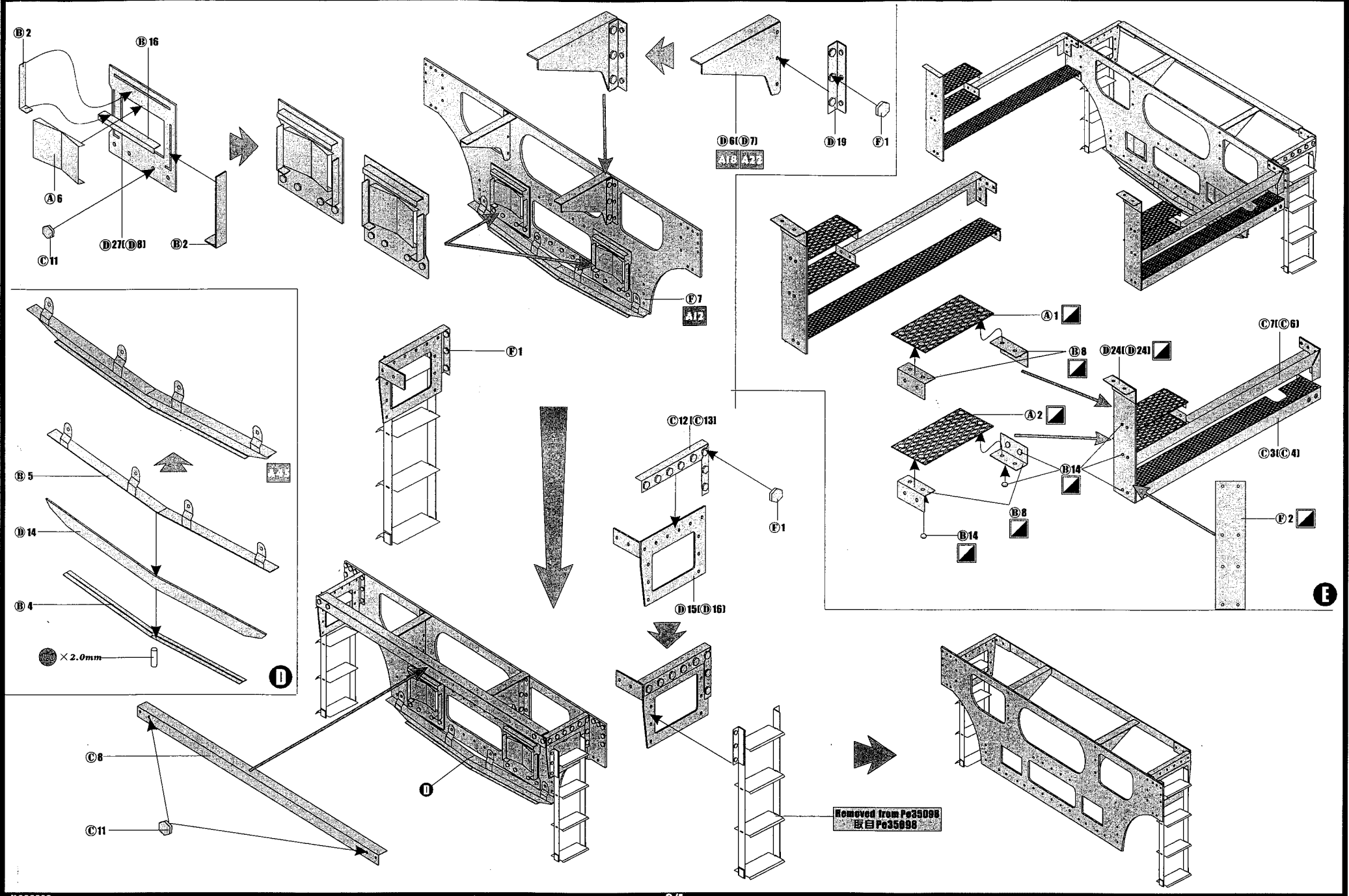
① 蚀刻片零件内侧面向上  
PE part inboard side turn up

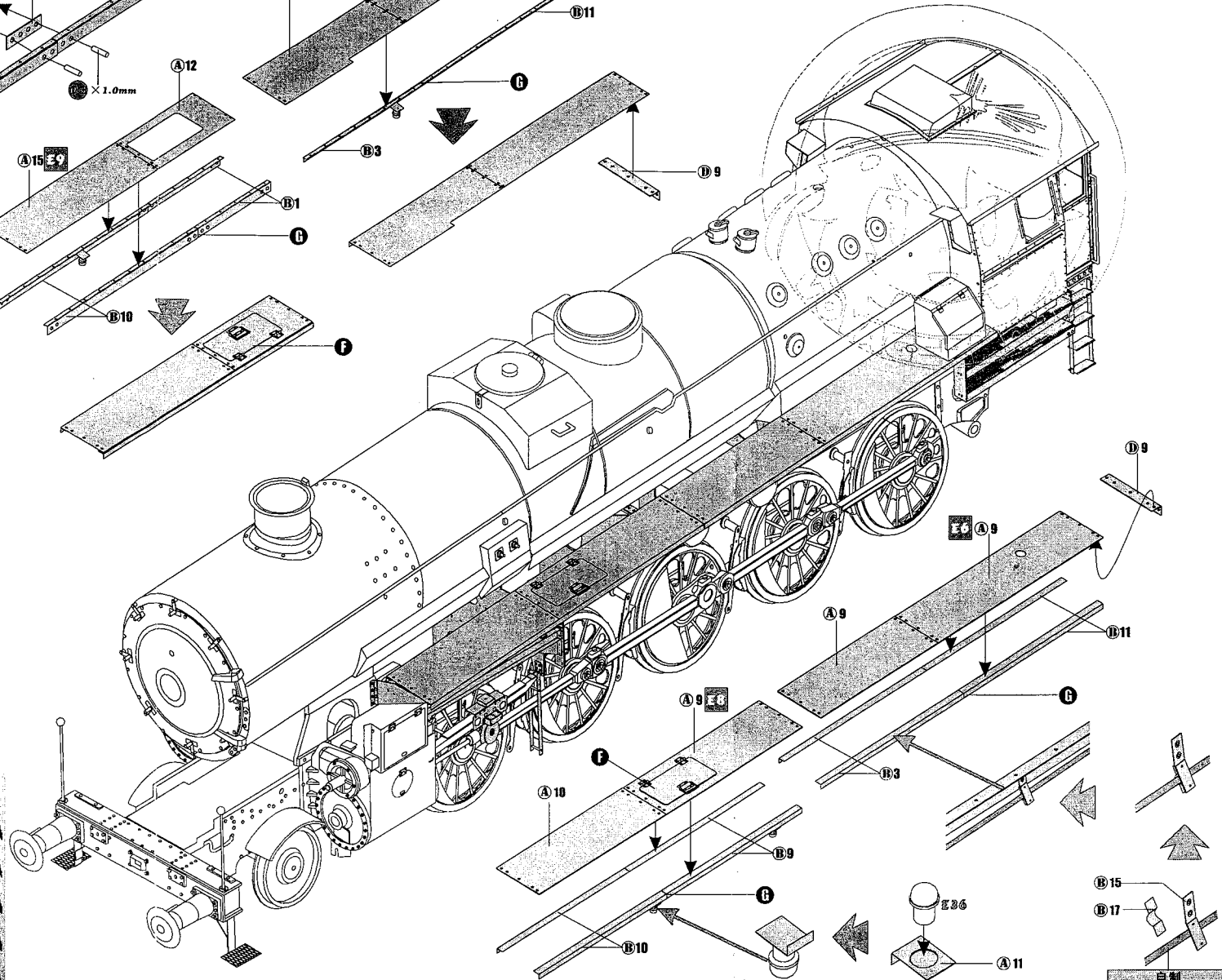
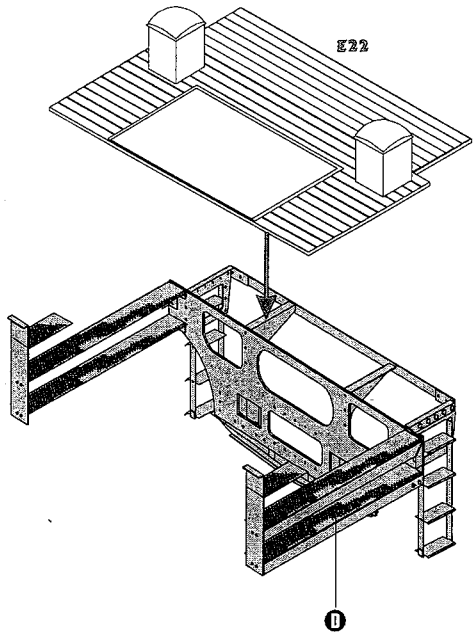
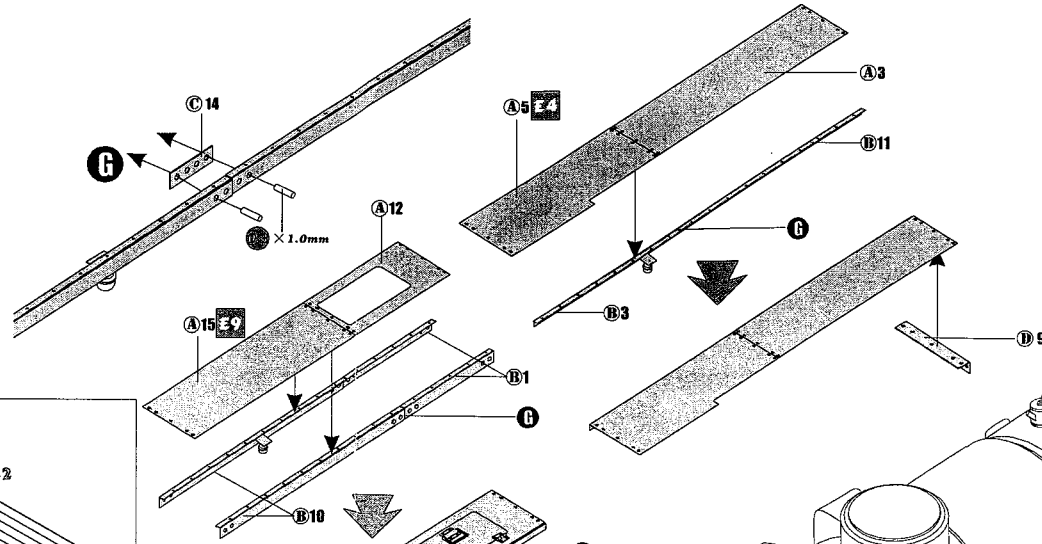
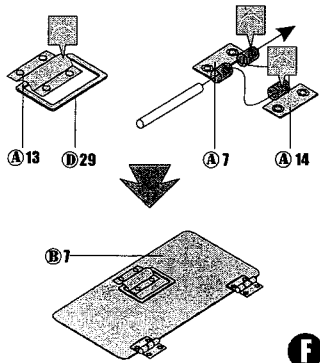
② 用笔尖在凹槽处挂  
Use penpoint scratch on the flute

③

**注解二**  
Note 2

如果孔洞略紧，建议使用钻头或者圆形小锉刀进行修整。  
We suggest use auger or round needle-file if these holes are tight.





- PE UPGRADE SET FOR BR 52**
- PE 35097 TRU Steifrahmentender smoke drive sprocket wheels of Br52
  - PE 35098 TRU Baureihe 52 basic kit part 1
  - PE 35099 TRU Baureihe 52 basic kit part 2
  - PE 35100 TRU Baureihe 52 exterior
  - PE 35101 TRU Tram for BR 52 / w coal

自制  
Make it by yourself