

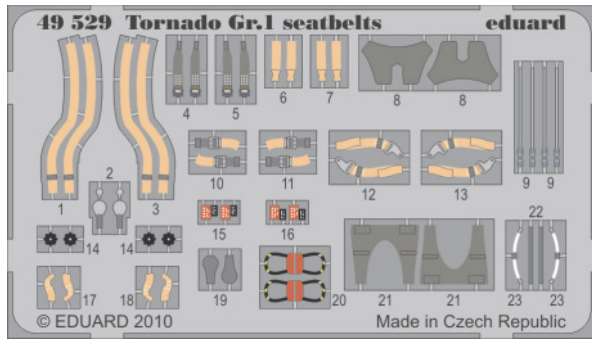


# Tornado Gr.1 seatbelts

eduard

49 529

1/48 scale detail set for Hobby Boss kit • sada detailů pro model 1/48 Hobby Boss



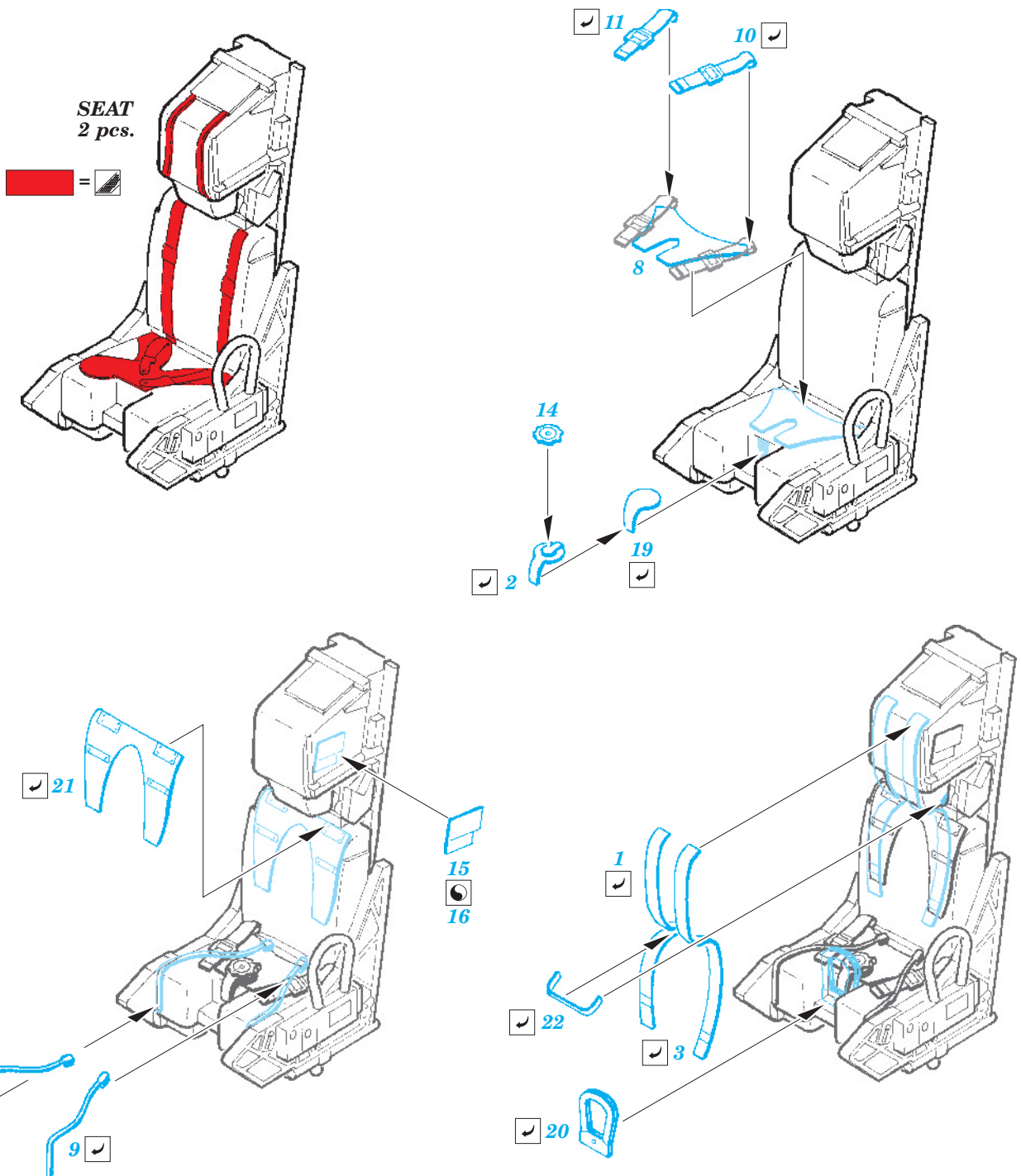
- ★ APPLY EXPRESS MASK AND PAINT BEFORE GLUING  
POUŽIT EXPRESS MASK NABARVIT PŘED SLEPENÍM
- ☯ SYMMETRICAL ASSEMBLY  
SYMETRICKÁ MONTÁŽ
- REMOVE  
ODSTRANIT
- ▨ GRIND  
OBRUSIT
- ⊘ DRILL HOLE  
VRTAT OTVOR
- ↪ BEND  
OHNOUT
- ? OPTION  
VOLBA
- Ⓜ REPLACE  
NAHRADIT

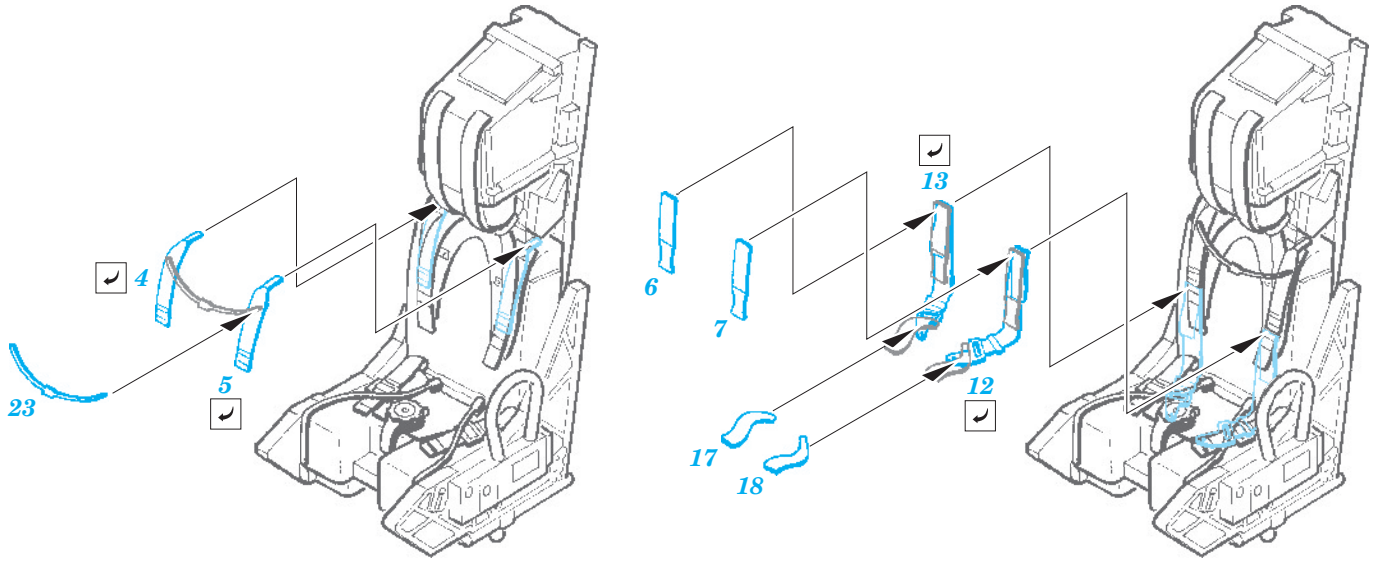
■ ORIGINAL KIT PARTS  
PŮVODNÍ DÍLY STAVEBNICE

■ PHOTO-ETCHED PARTS  
LEPTANÉ DÍLY

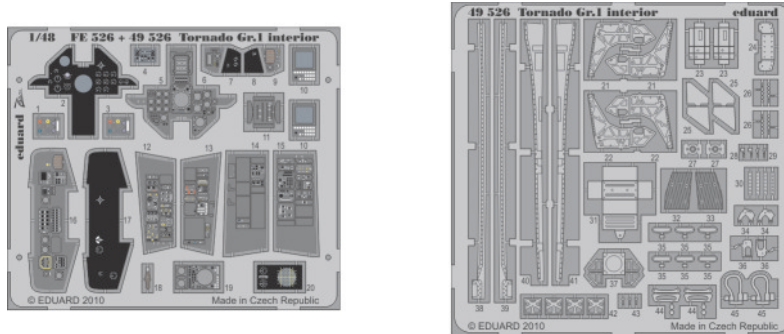
■ PARTS TO BE REMOVED  
DÍLY K ODSTRANĚNÍ

■ FILL  
TMELIT

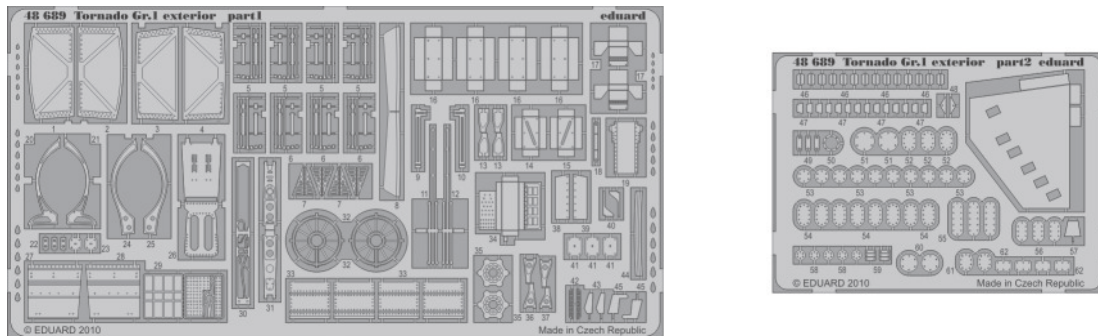




***For further detail sets look for eduard 49 526 Tornado Gr.1 interior S.A. (not included in this set)***



***For further detail sets look for eduard 48 689 Tornado Gr.1 exterior (not included in this set)***



***For further detail sets look for eduard 48 690 Tornado Air brake and flaps (not included in this set)***

