

Baureihe 52 loco!

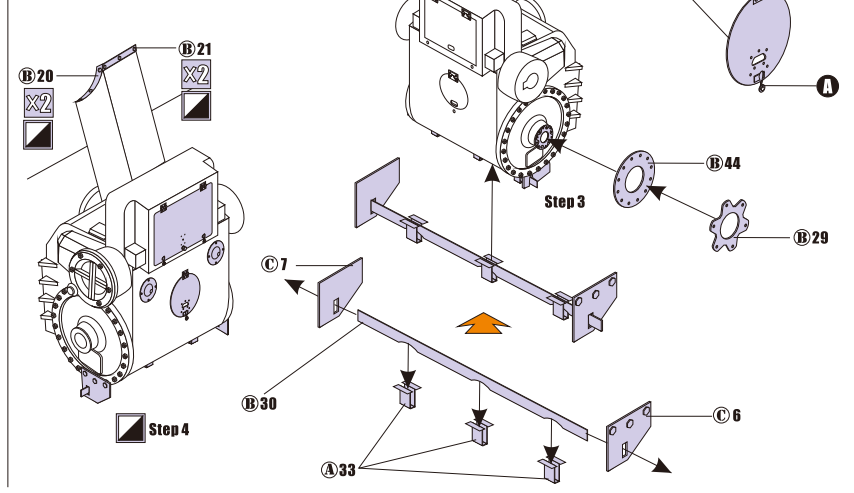
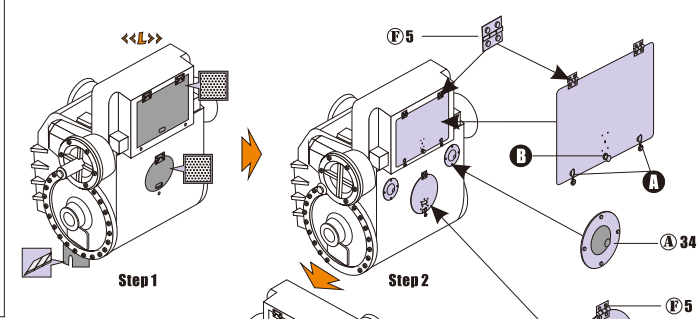
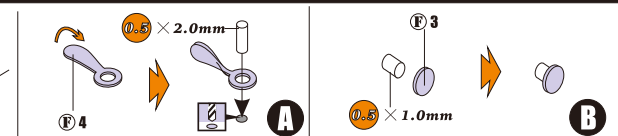
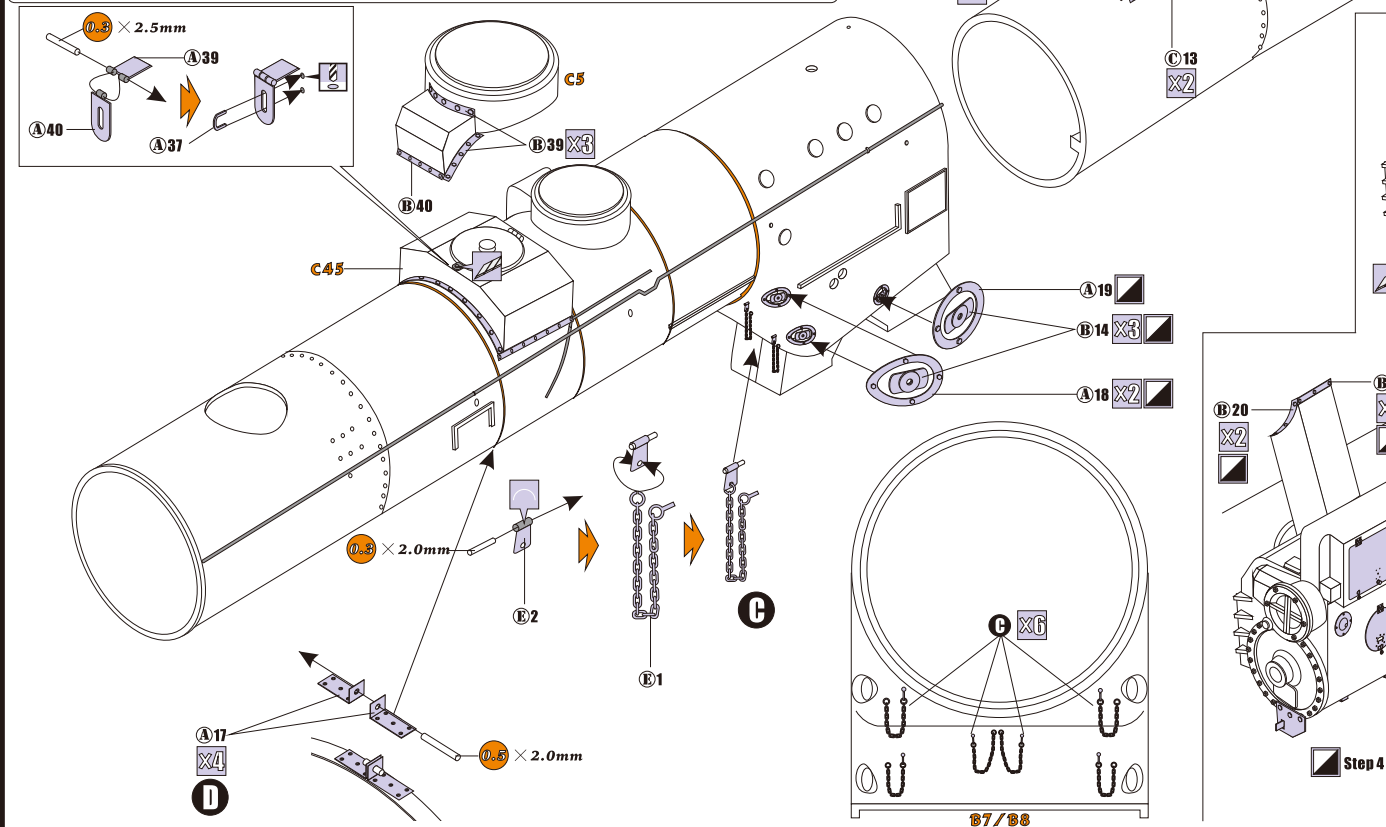
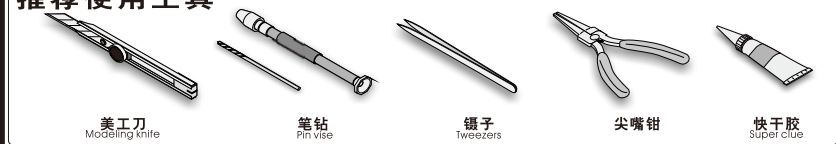


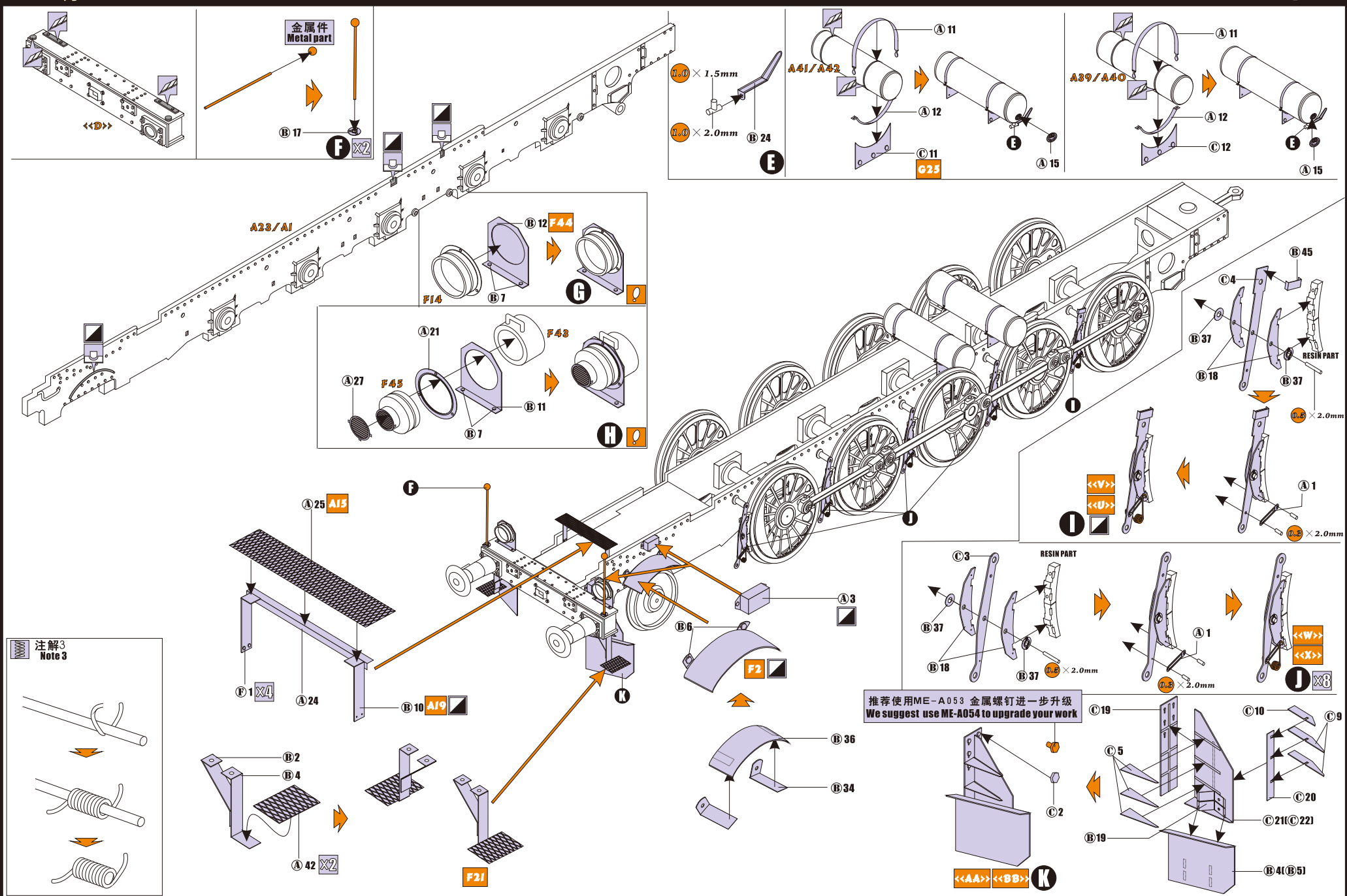
	切除阴影部分 Cut away		钻孔 Make a hole		蚀刻片零件标号 Number of PE parts		制作所示若干组 Make some pcs		注解3 Note 3
	锉平阴影部分 Rasp away		另一侧相同制作 Repeat opposite side		原套件零件标号 Number of original parts		根据喜好选择安装 Optional		注解1 Note 1
	填补 Use filler		安装箭头 Install arrow		被替换的套件标号 Number of replaced parts		使用圆棒制作 Use ABS rod		注解2 Note 2
	弧度弯折 Bend		弯折箭头 Fold arrow		使用圆棒制作 Use ABS rod				

PE UPDATE
For Trumpeter 00210

1/35 MILITARY MINIATURE VEHICLE PE UPGRADE SERIES NO.98

RECOMMENDED TOOLS
推荐使用工具



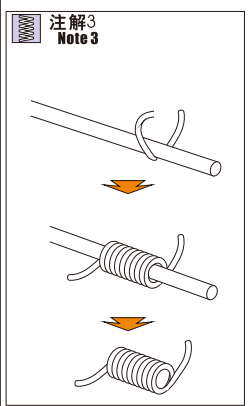


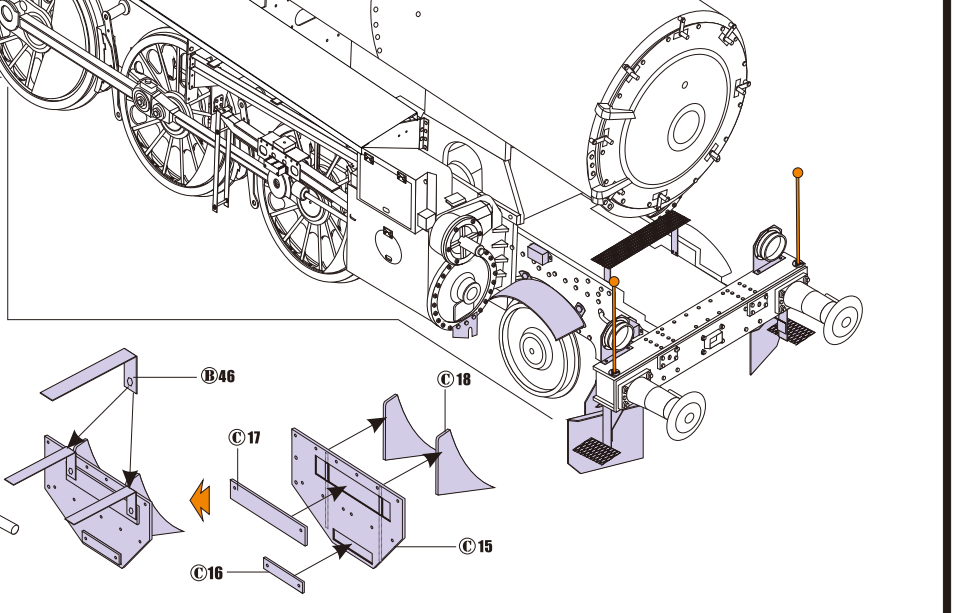
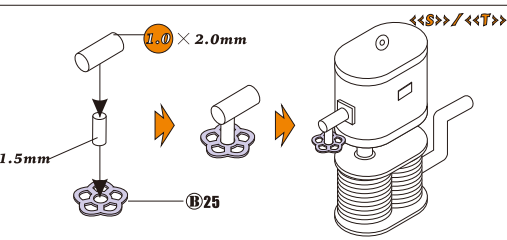
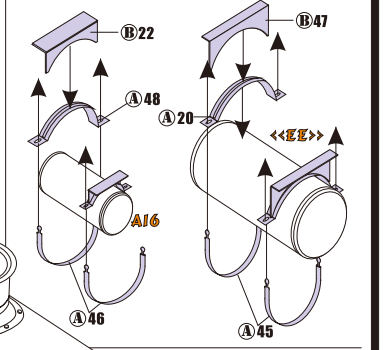
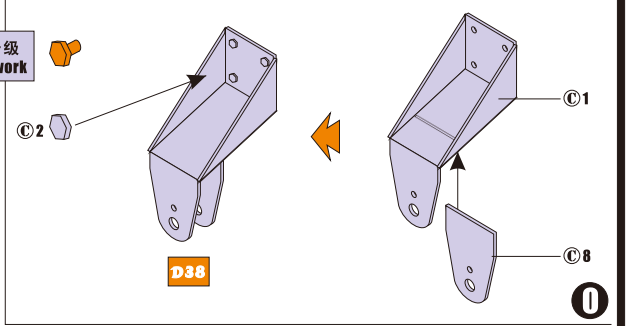
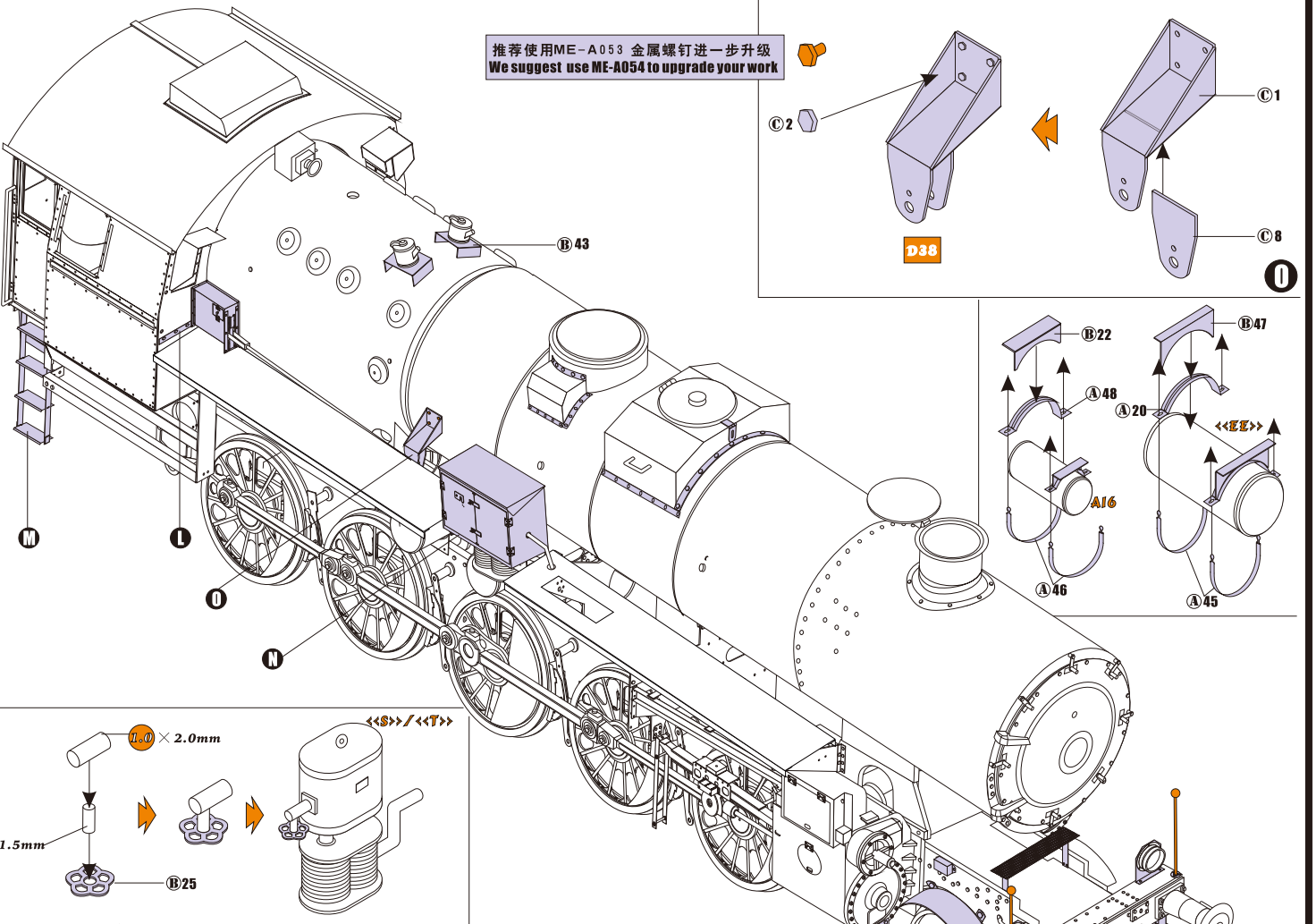
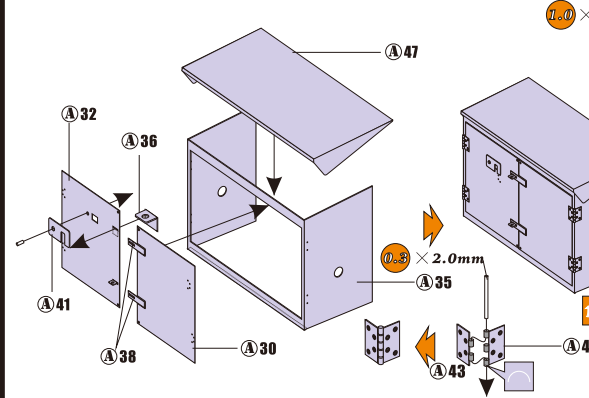
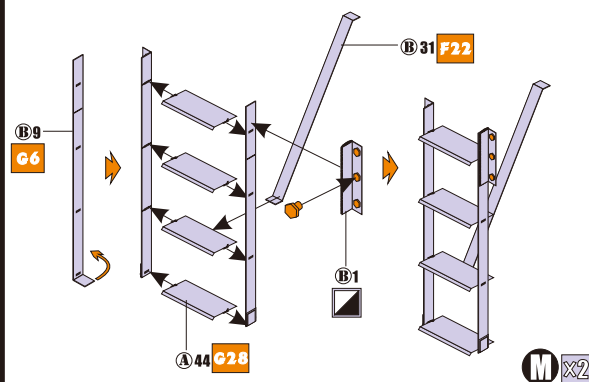
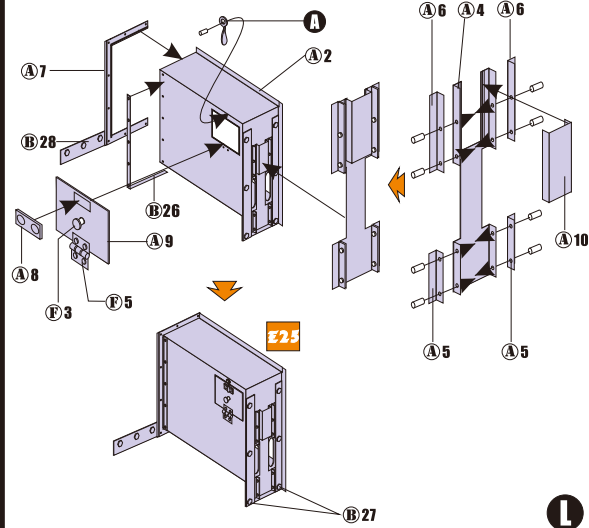
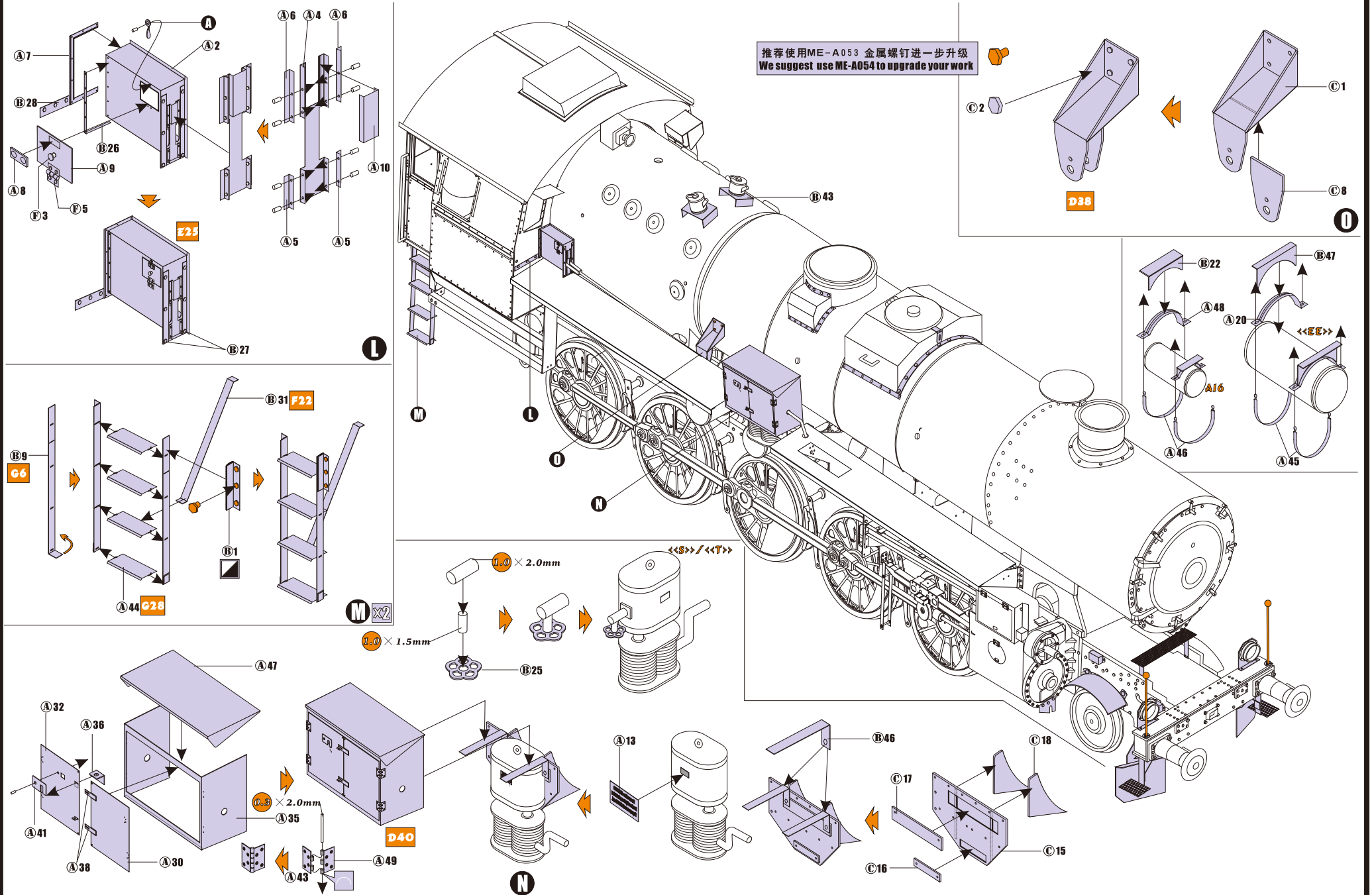
金属材料
Metal part

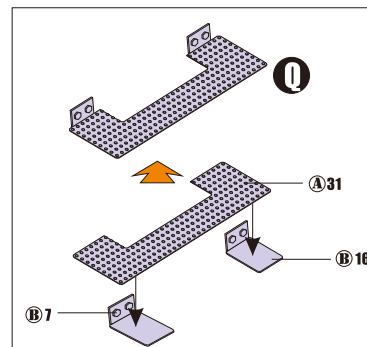
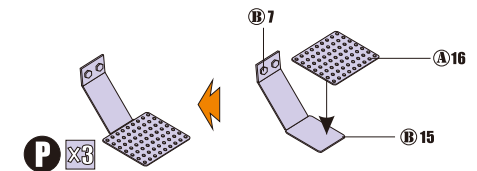
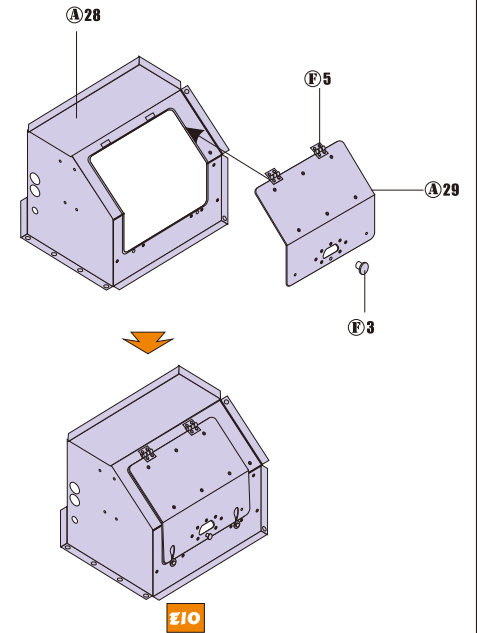
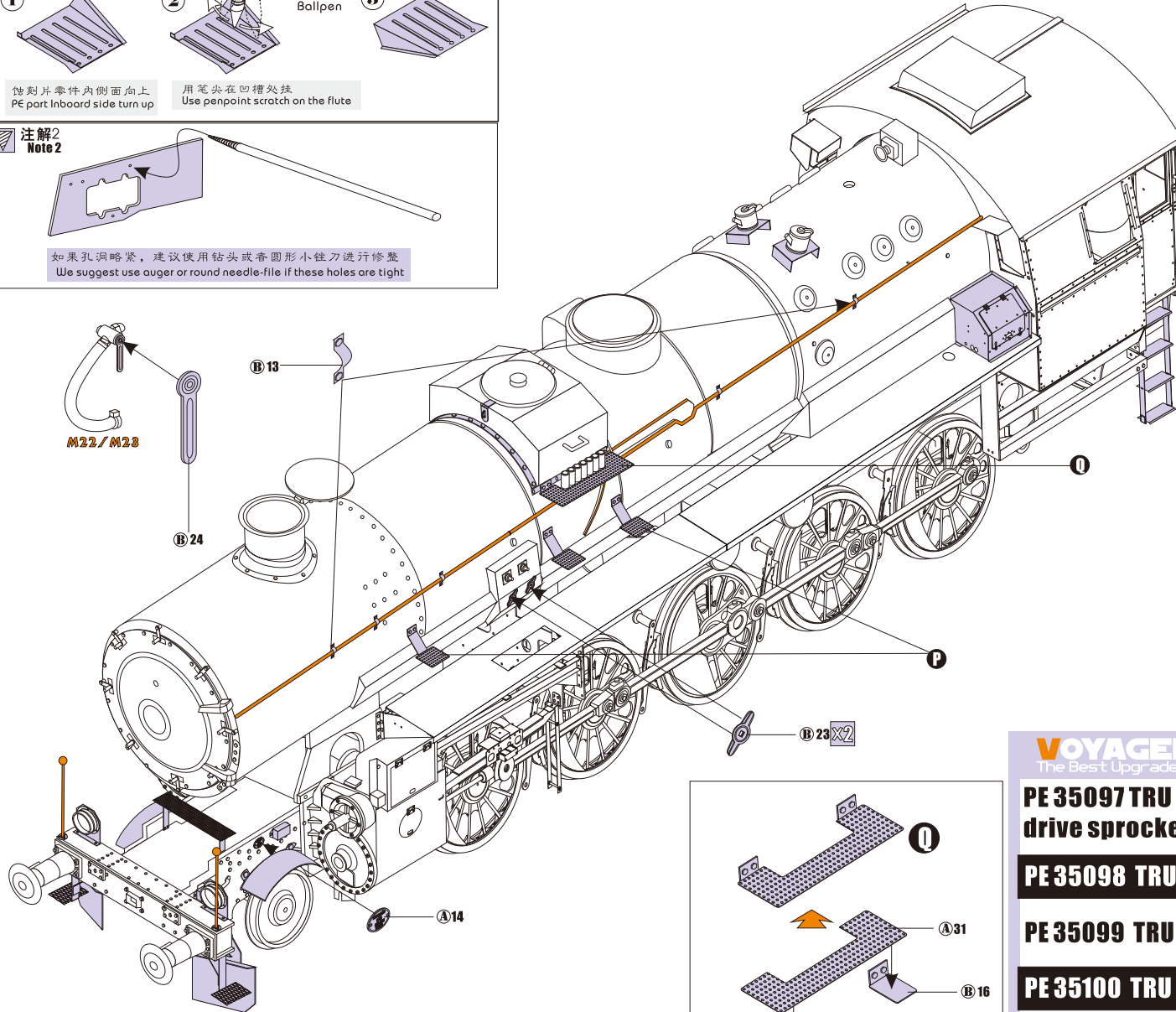
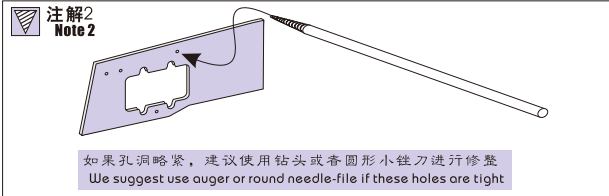
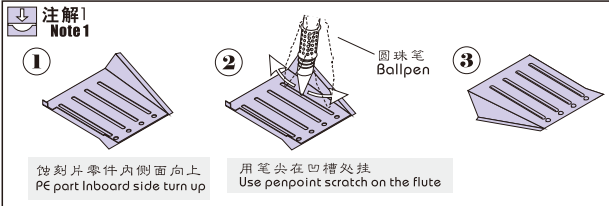
1.0 × 1.5mm

1.0 × 2.0mm

推荐使用ME-A053 金属螺钉进一步升级
We suggest use ME-A054 to upgrade your work







VOYAGERMODEL® PE UPGRADE SET FOR B R52

PE 35097 TRU Steifrahmentender smoke drive sprocket wheels of Br52



PE 35098 TRU Baureihe 52 basic kit part 1



PE 35099 TRU Baureihe 52 basic kit part 2



PE 35100 TRU Baureihe 52 exterior



PE 35101 TRU Tram for BR 52 /w coal

