

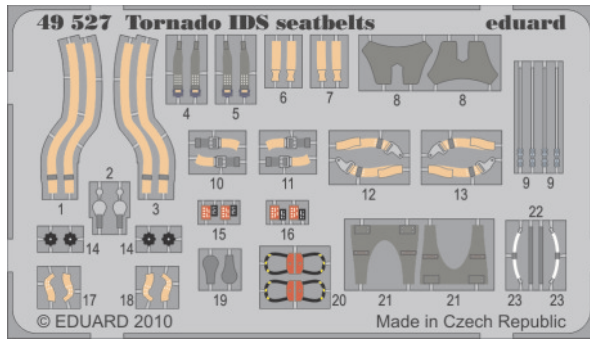


# Tornado IDS seatbelts

eduard

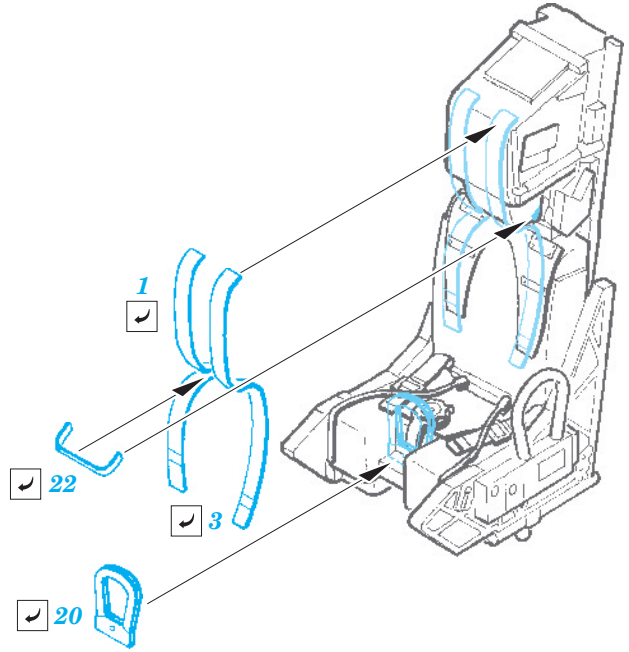
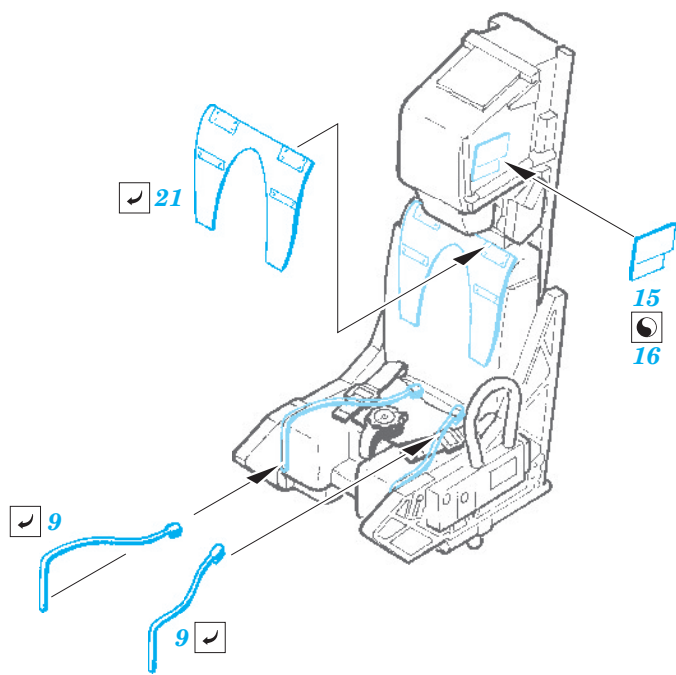
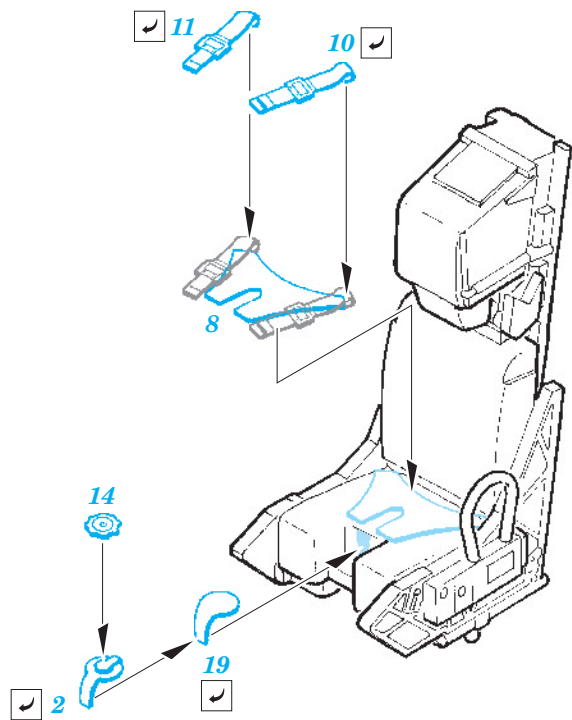
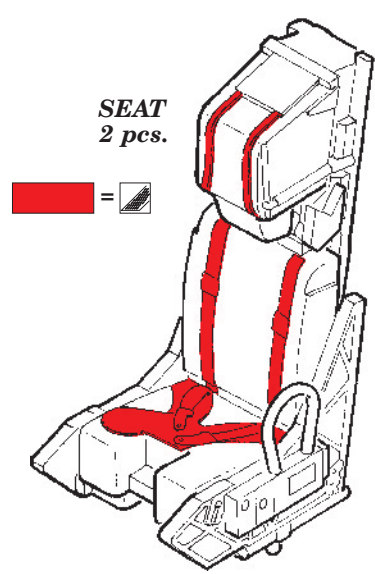
49 527

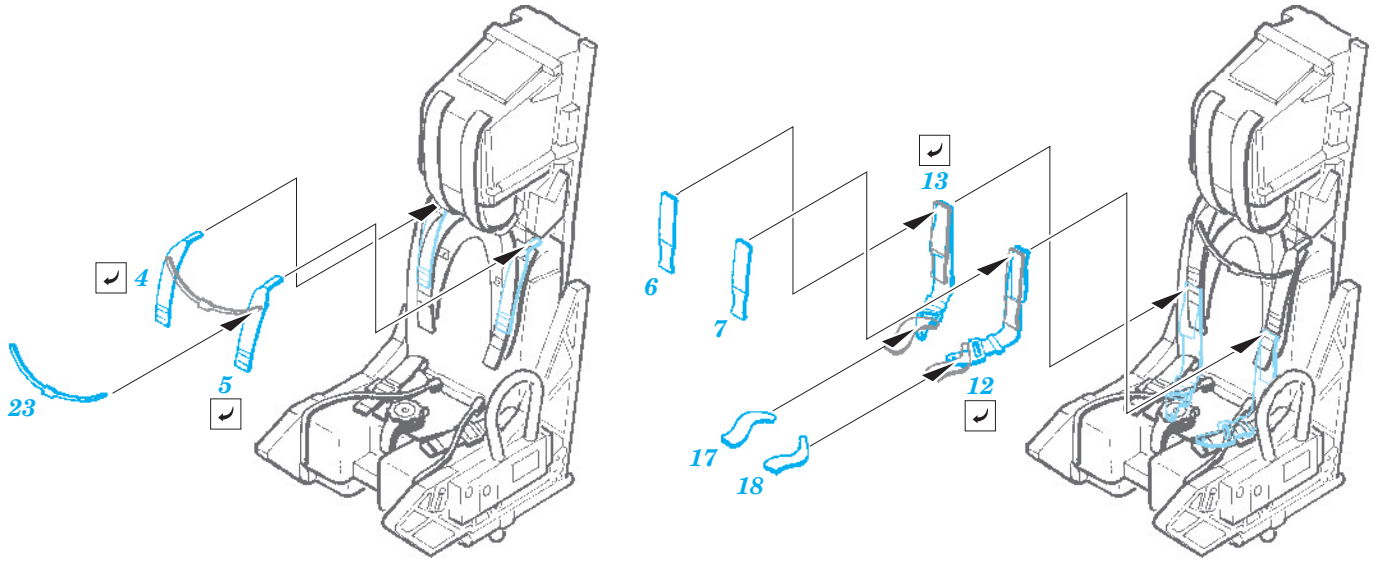
1/48 scale detail set for Hobby Boss kit • sada detailů pro model 1/48 Hobby Boss



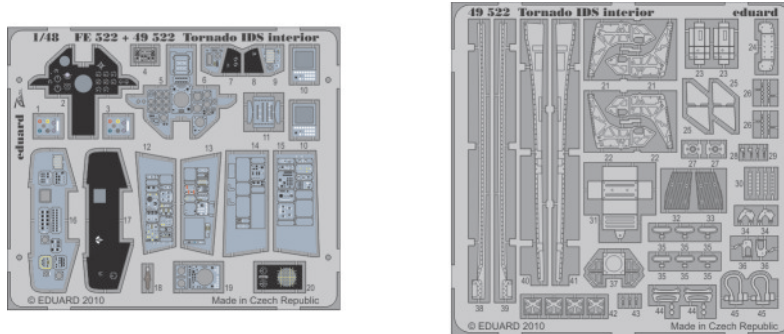
- ★ APPLY EXPRESS MASK AND PAINT BEFORE GLUING  
POUŽIT EXPRESS MASK NABARVIT PŘED SLEPENÍM
- ☯ SYMMETRICAL ASSEMBLY  
SYMETRICKÁ MONTÁŽ
- REMOVE  
ODSTRANIT
- ▨ GRIND  
OBROUSIT
- ⊘ DRILL HOLE  
VRTAT OTVOR
- ↪ BEND  
OHNOUT
- ? OPTION  
VOLBA
- Ⓜ REPLACE  
NAHRADIT

- ORIGINAL KIT PARTS  
PŮVODNÍ DÍLY STAVEBNICE
- PHOTO-ETCHED PARTS  
LEPTANÉ DÍLY
- PARTS TO BE REMOVED  
DÍLY K ODSTRANĚNÍ
- FILL  
TMELIT

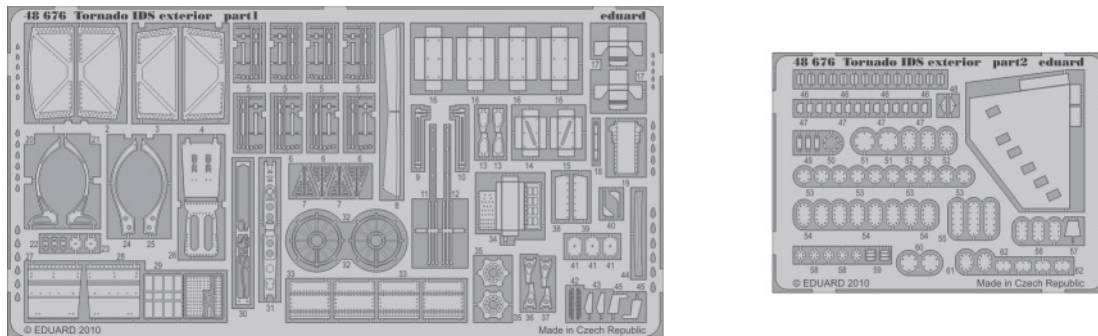




**For further detail sets look for eduard 49 522 Tornado IDS interior S.A. (not included in this set)**



**For further detail sets look for eduard 48 676 Tornado IDS exterior (not included in this set)**



**For further detail sets look for eduard 48 690 Tornado Air brake and flaps (not included in this set)**

