

US Army M1131 Stryker FSV

美军M1131斯崔克火力支援车



READ BEFORE ASSEMBLY:

- Study and understand these instructions thoroughly before beginning assembly
- When needed, remove photo-etch parts carefully using a modeling knife or photo etch sprue cutter, being careful not to damage or lose small parts.
- Take extra care in handling photo etch parts in order to avoid injury
- Apply instant cement sparingly to photo etch parts where instructed
- Tools recommended(not included in kit):Plastic and instant cements,sprue cutters,long nose pliers,,modeling knife, small files, tweezers, pin vise & scissors. Soft cloth and sandpaper will also assist in construction
- Glue and paint are not included in the kit. Use plastic cement and hobby paints only. Color guide for purchasing paint is included in the kit.

装配之前仔细阅读

- 小心用模型锉刀锉平所有零件表面的注射浇口。
- 小心用刀片切下蚀刻片零件，不要遗失小零件。
- 用强力快干胶水粘合蚀刻片零件和金属轴。过量的快干胶水使用可能导致可动零件会粘住，小心涂胶。
- 取蚀刻片时应特别注意安全，防止利刃划伤手指。
- 某些零件表面需贴水上贴纸，请选择在装配的同时进行。
- 推荐模型工具(自备)：胶水，水口剪刀，长咀钳，刀片，锉刀，镊子，钳，钻，剪刀，瞬间快干胶。
- 软布同砂纸同时也是所需工具。
- 请使用塑料胶水和油漆，模型内不含。



使用强力胶

Cyanoacrylate glue



配重

Weight



钻孔

Make hole



切除

Cut / Remove



贴纸

Decal



锉平

File / Sand



选择

Option



不涂胶水

No cement



弯曲

Bend



先装

Install it first



填补

Repair

水贴纸的使用:

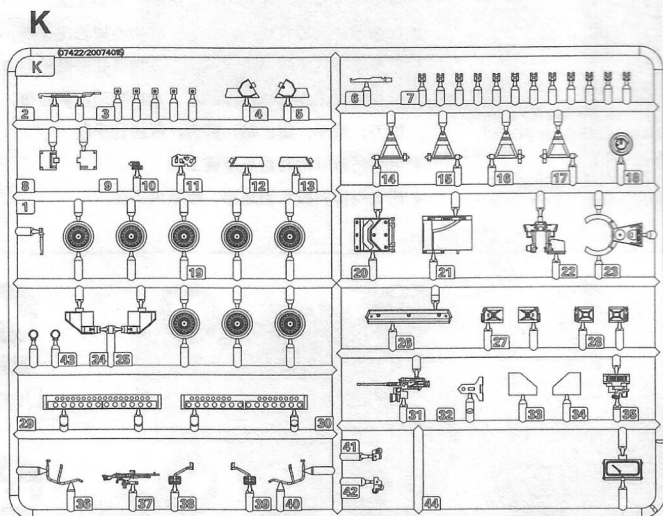
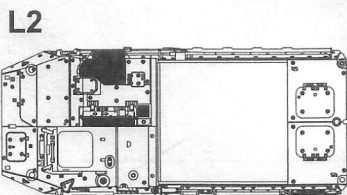
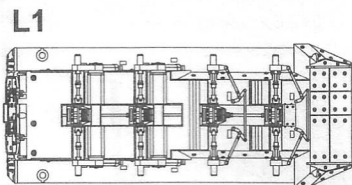
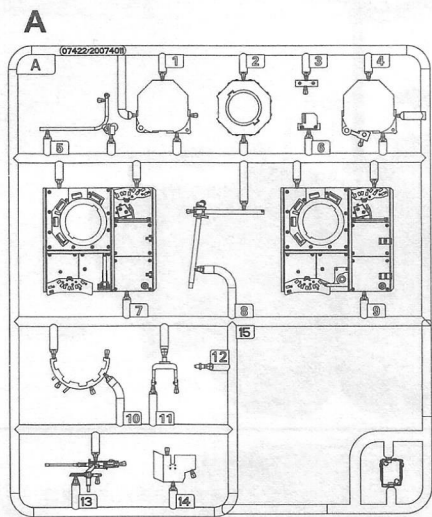
1. 从水贴纸上剪下印花;
2. 将印花放入温水中浸10秒，然后放在干净布上。
3. 拿着印花纸板将印花移到模型上;
4. 手指蘸水将印花移到适当的位置;
5. 用软布轻压印花直至水干，气泡消失。

DECAL APPLICATION

1. Cut off decal from sheet.
2. Dip the decal in tepid water 40°C for about 10 sec. and place on a clean cloth.
3. Hold the backing sheet edge and slide decal onto the model.
4. Move decal into position by wetting decal with finger.
5. Press decal gently down with a soft cloth until excess water and air bubbles are gone.
6. Allow decal to dry completely before handling model.

* 说明书中含有重要信息，应保留。 Please Keep instruction since it contains important information.

部品图 Parts

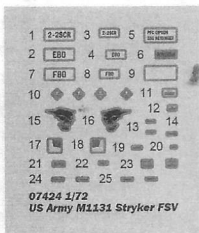
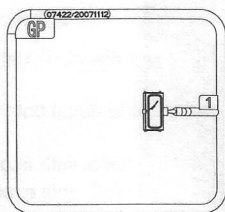


轮胎 (tyre)*8



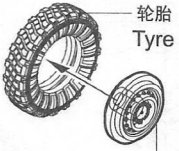
《水贴》
Decal

GP



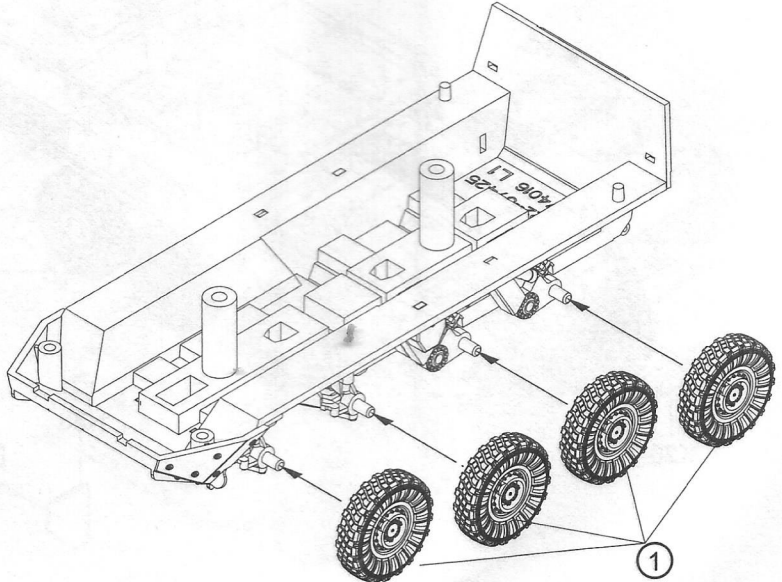
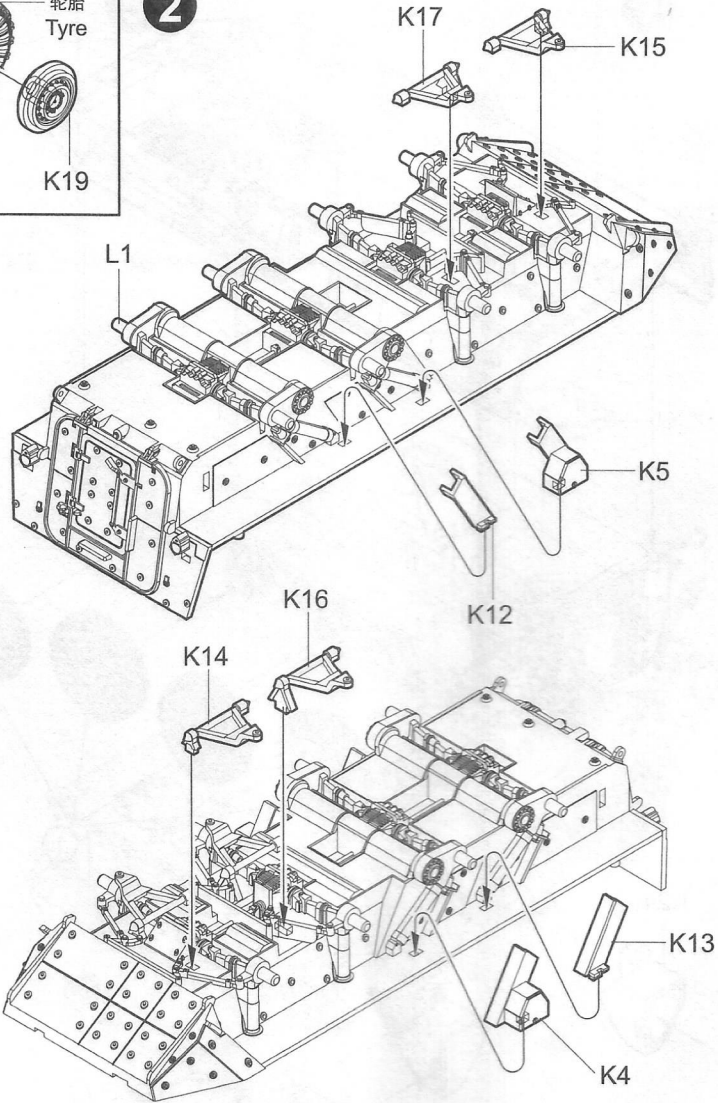
未使用零部件: A1, A3, A5, A7, K6, K10, K22, K23, K31, K37
Unused parts

1

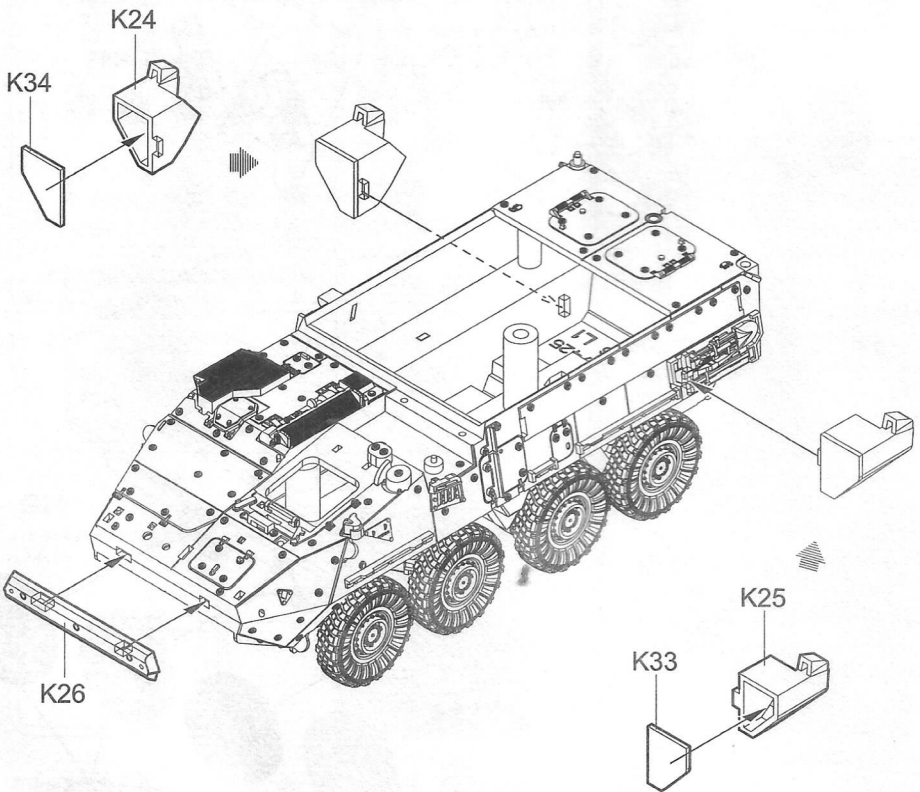
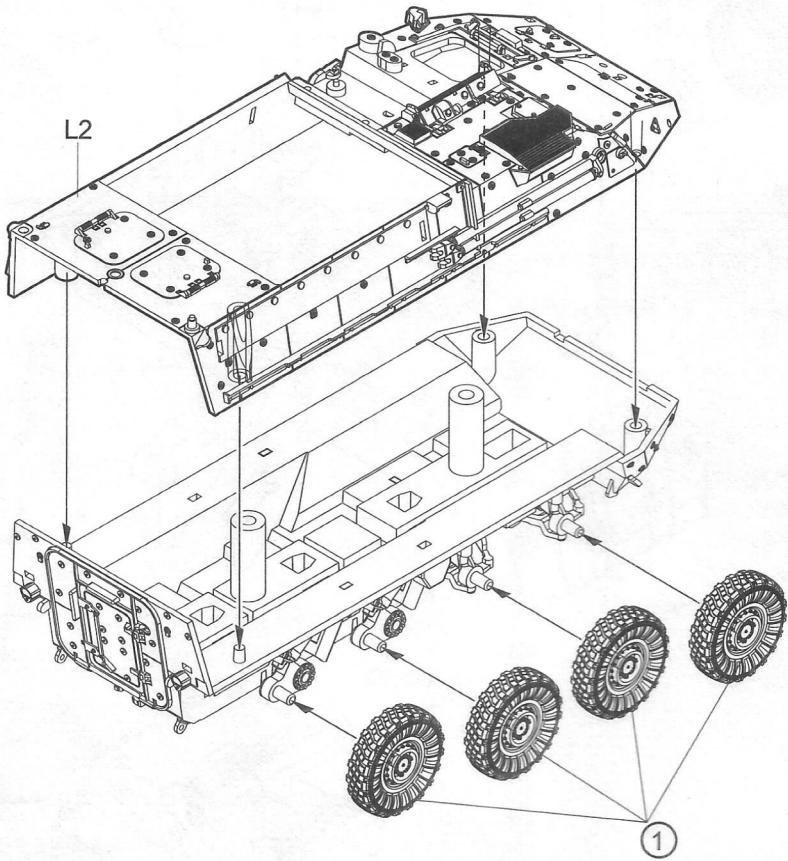


制作8组
Make eight

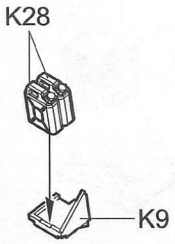
2



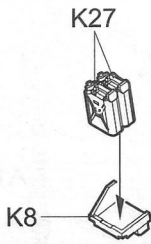
3



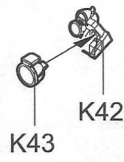
4



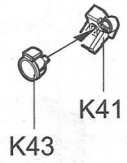
5



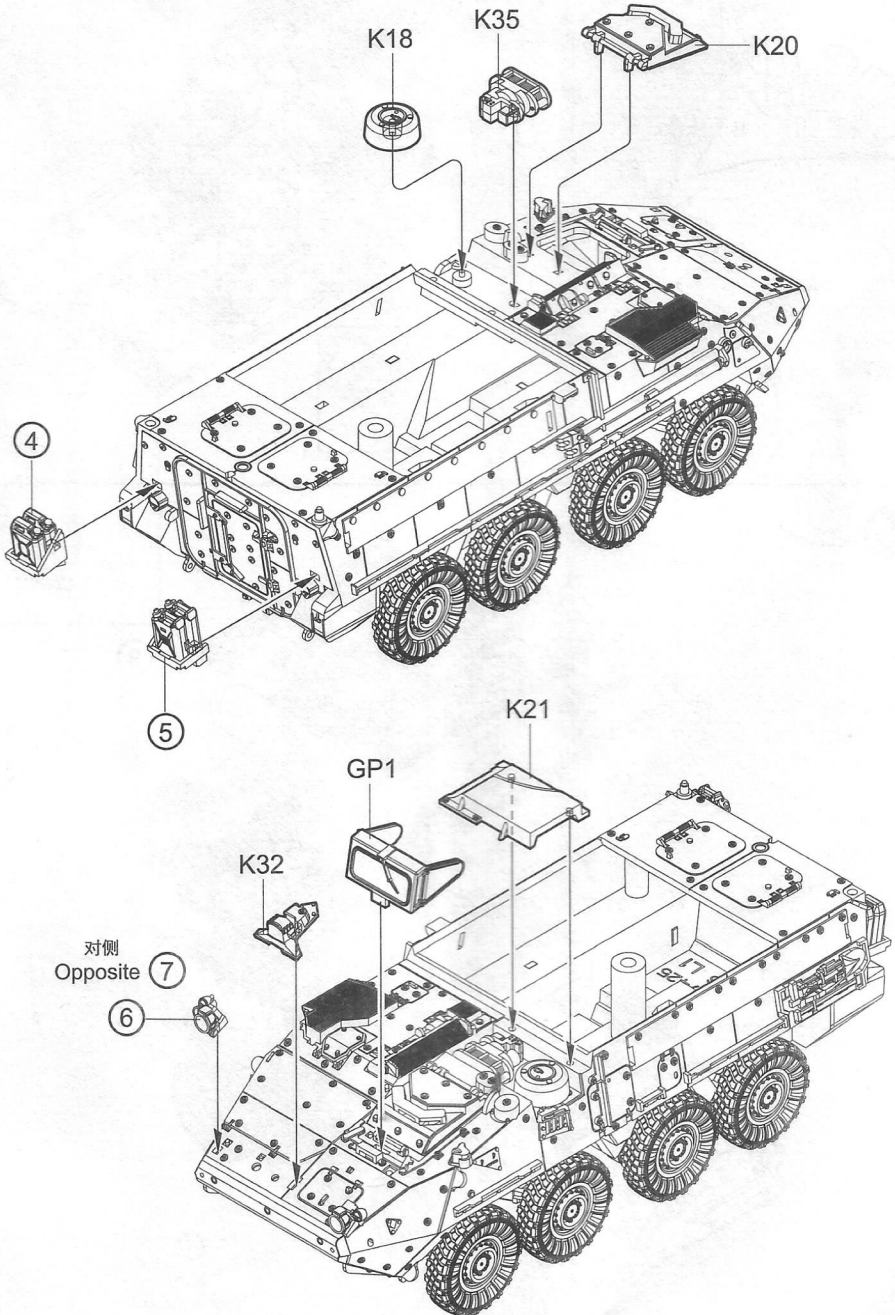
6



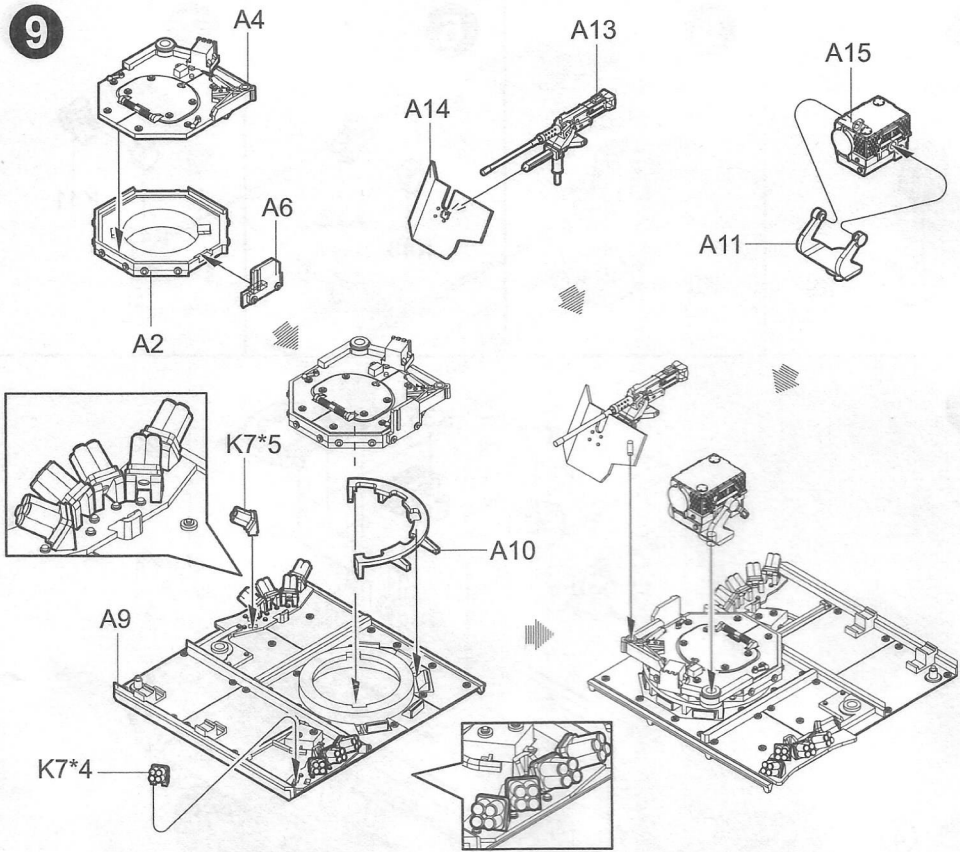
7



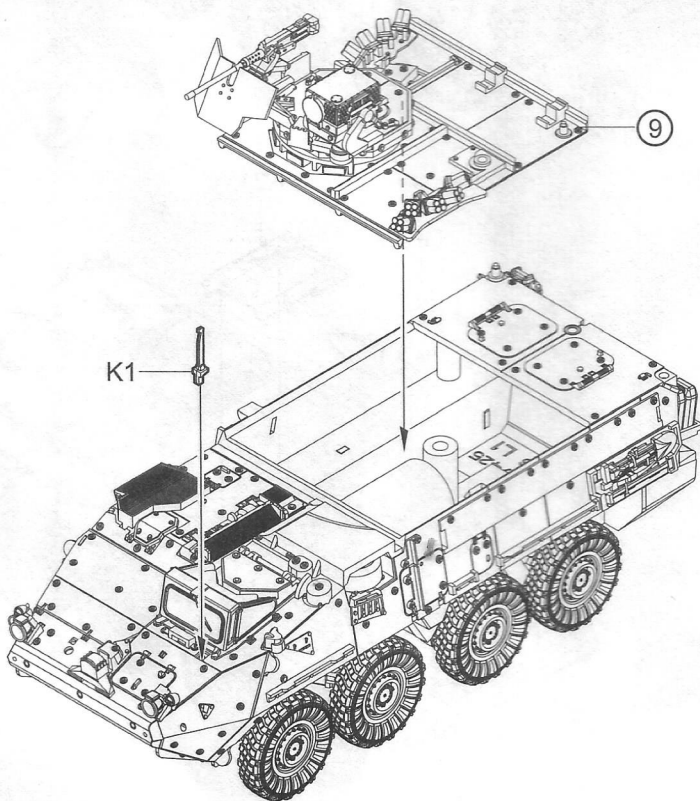
8



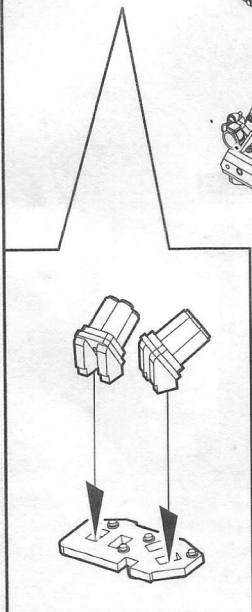
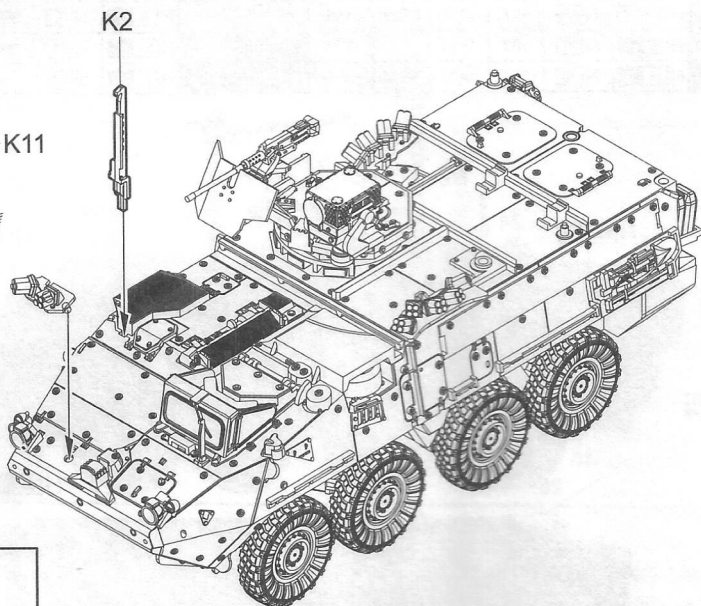
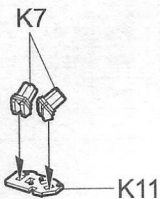
9



10

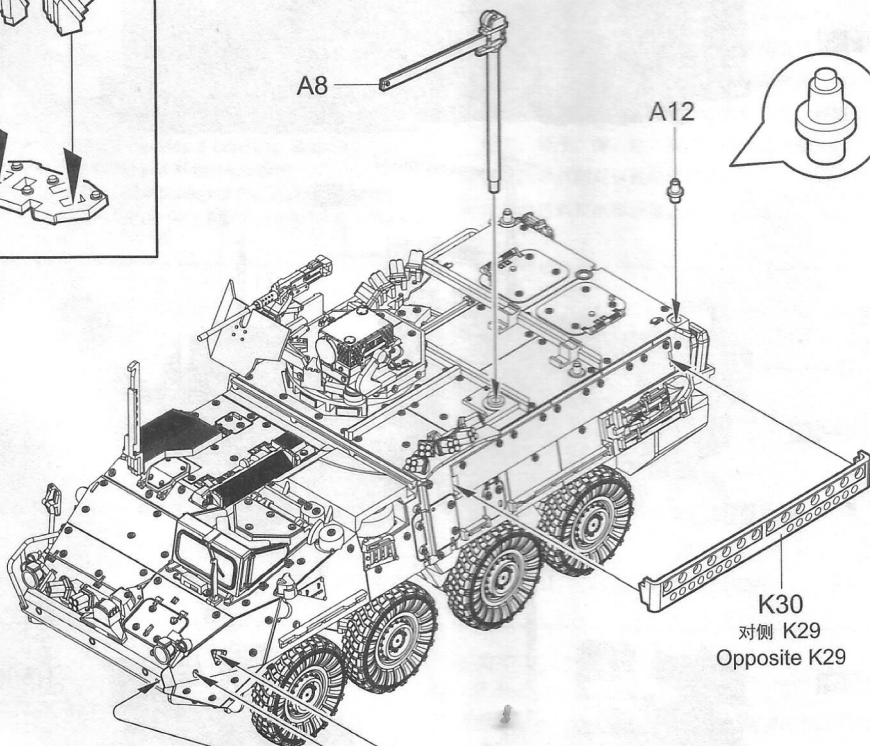
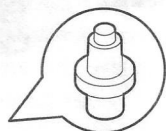


11



A8

A12



K30
对侧 K29
Opposite K29

K39
对侧 K38
Opposite K38

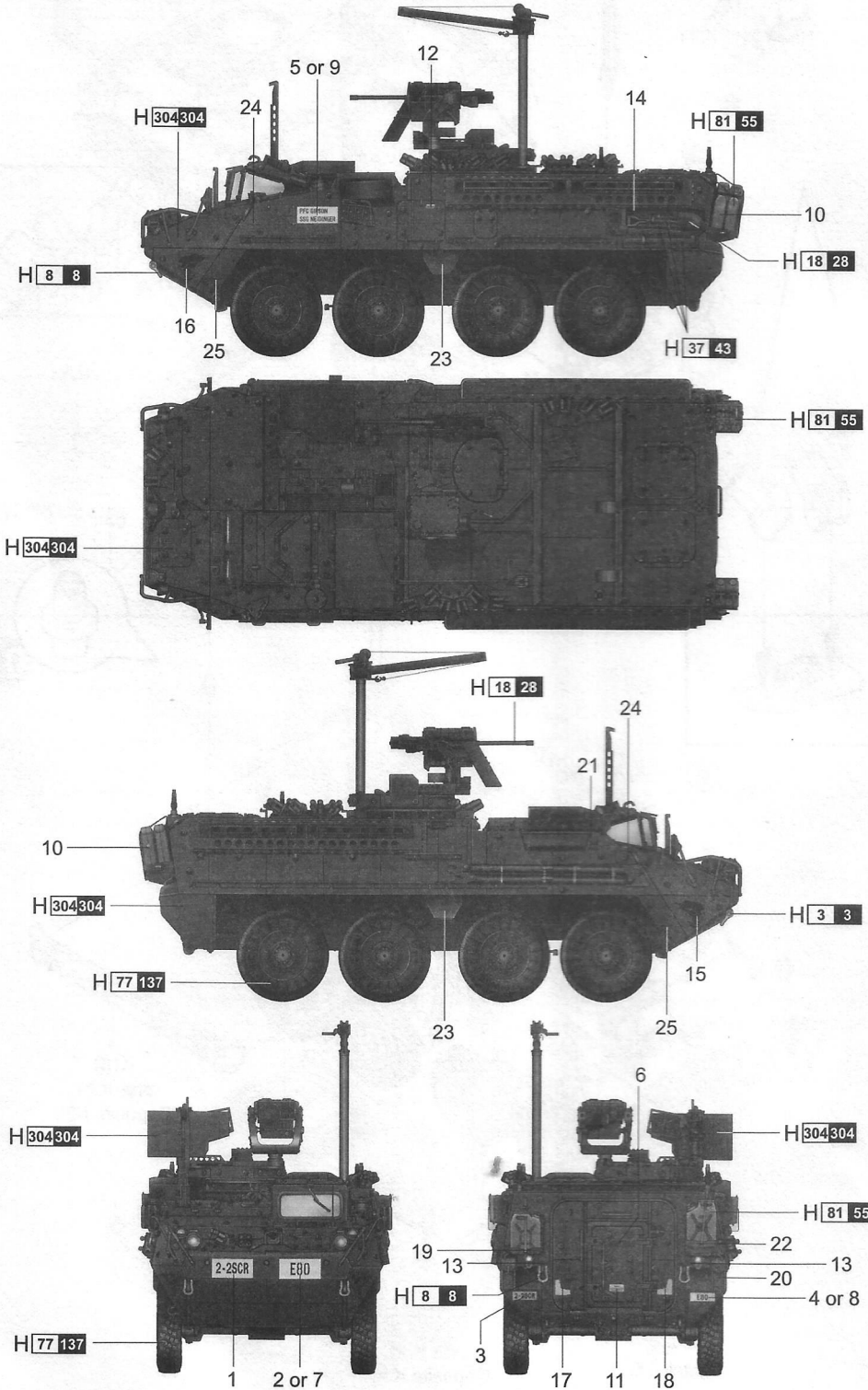
先装
Install it first

K40
对侧 K36
Opposite K36

涂装同标贴指示 Painting & Marking guide

PAINT REFERENCE COLOR

Color	Mr.Hobby	Acrycion	Vallejo	Model Master	Tamiya	Humbrol	Color	Mr.Hobby	Acrycion	Vallejo	Model Master	Tamiya	Humbrol
Olive Drab 橄榄色	H 304 304	N 304	887	1711	XF62	155	Red 红色	H 3 3	N 3	908	1503	X7	19
Wood Brown 木棕色	H 37 43	N 37	983	1701	-	186	Silver 银色	H 8 8	N 8	997	1546	X11	11
Steel 钢铁色	H 18 28	N 18	864	1402	XF84	-	Khaki 卡其色	H 81 55	N 81	988	-	XF49	26
							Tire Black 胎黑色	H 77 137	N 77	-	-	XF85	-



H AQUEOUS HOBBY COLOR M Mr. COLOR N ACRYCION COLOR