

amt 'PAPA TRUCK' KENWORTH AERODYNE 1/25 SCALE
A932-200

IMPORTANT! READ THESE POINTS BEFORE YOU BEGIN

- 1 "TEST FIT" all parts before cementing. Trim excess plastic from parts before joining.
- 2 Cement all parts unless otherwise indicated by the instructions.
- 3 Use paint and cement made for styrene plastic only.
- 4 Paint all sub-assemblies before attaching chrome parts.
- 5 Scrape chrome and paint away from surfaces to be cemented together.
- 6 Assemble parts in sequence shown. Each part is identified by a number.

- Cement parts together
- Do not cement together
- Optional part provided
- Apply decal
- Repeat several times
- Completed assembly
- Assembly sequence
- Part number

PAINT COLORS

A	Black	Q	Yellow
B	Flat Black	R	Light Tan
C	Semi-Gloss Black	S	Light Brown
D	White	T	Lt. Blue
E	Flat White	U	Med. Blue
F	Silver	V	Dark Blue
G	Chrome (Bright Silver)	W	Dark Brown
H	Aluminum	X	Lt. Green
I	Steel	Y	Woodgrain
J	Brass	Z	Dark Gray
K	Gold	LG	Lt. Gray
L	Amber	IC	Interior Color
M	Transparent Amber	BC	Body Color
N	Red	▲	Semi-Gloss
O	Transparent Red	▲	Gloss
P	Orange	▲	Metallic

EXTERIOR COLOR

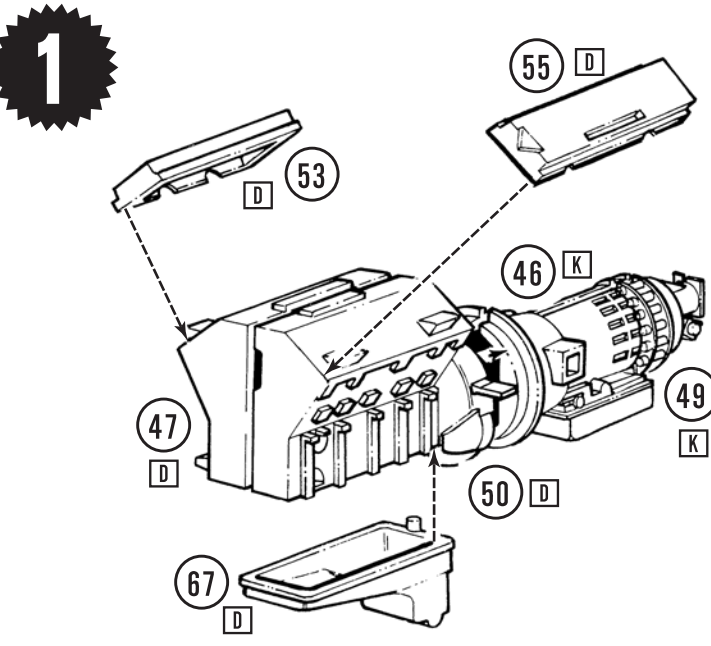
White

INTERIOR COLORS

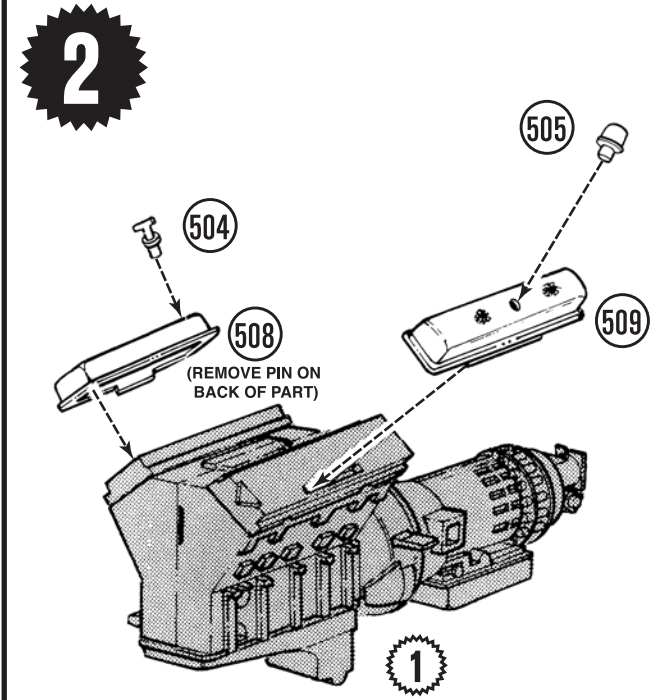
White, Dark Blue, Light Brown and Light Tan

It is recommended that you search the internet for additional color references and details.

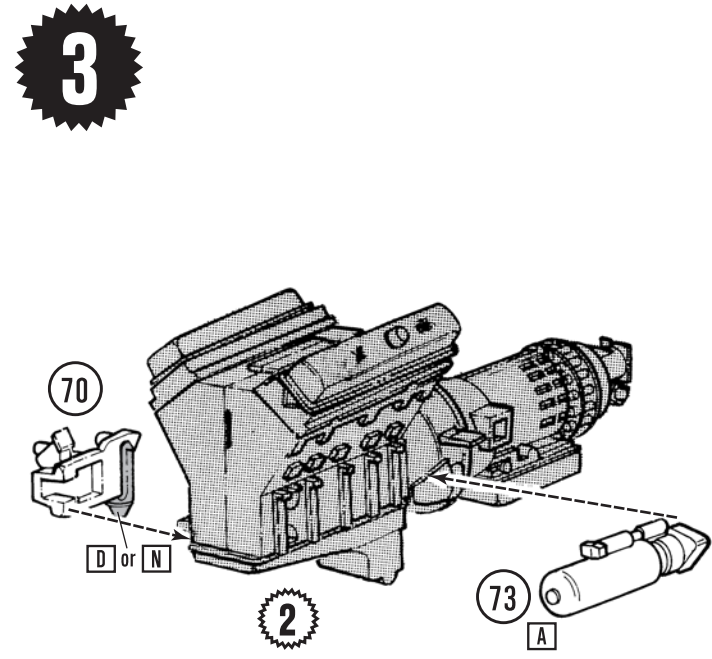
'PAPA TRUCK' KENWORTH AERODYNE



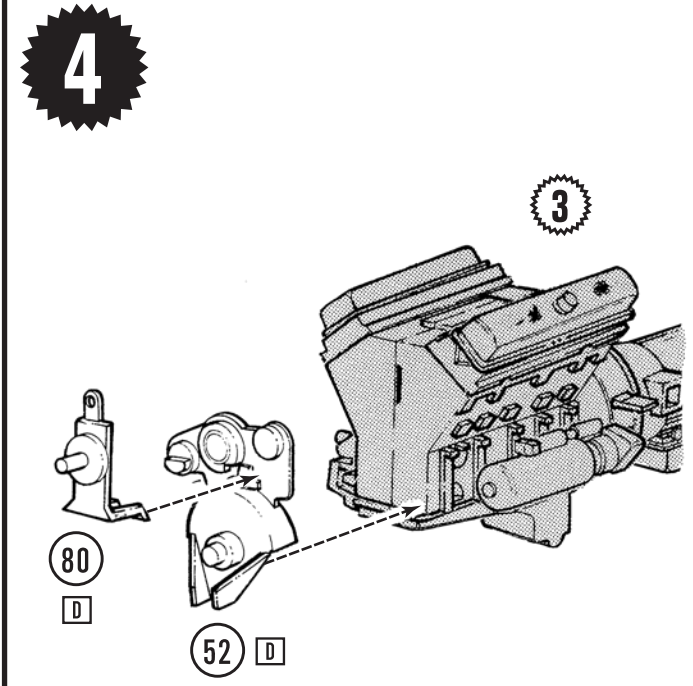
- 47-50
- 46-49
- (47, 50) - (46, 49)
- 53, 55, 67 - (47, 50)



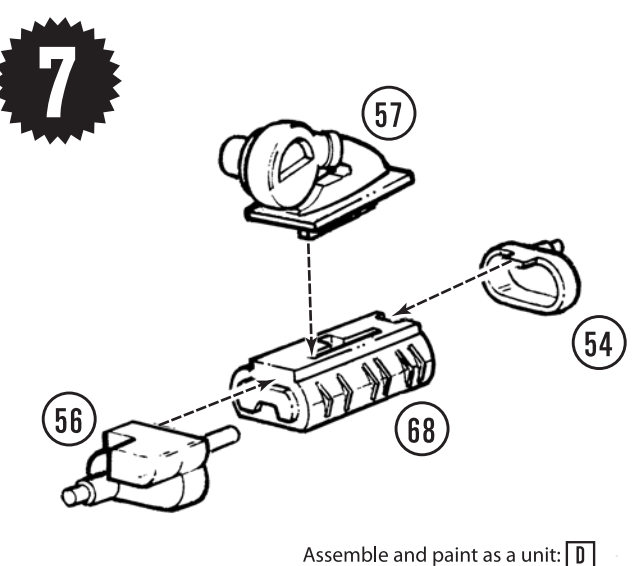
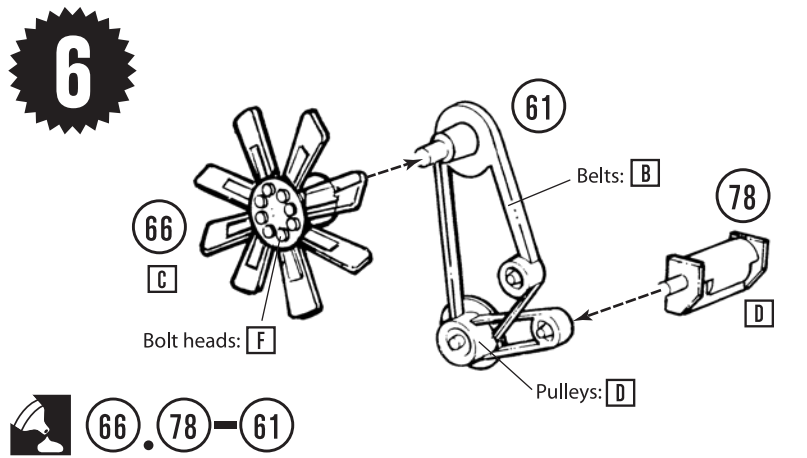
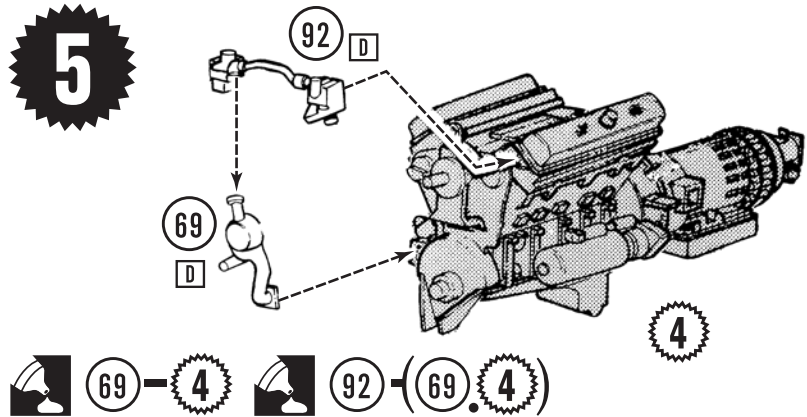
- 504-508-1
- 505-509-1



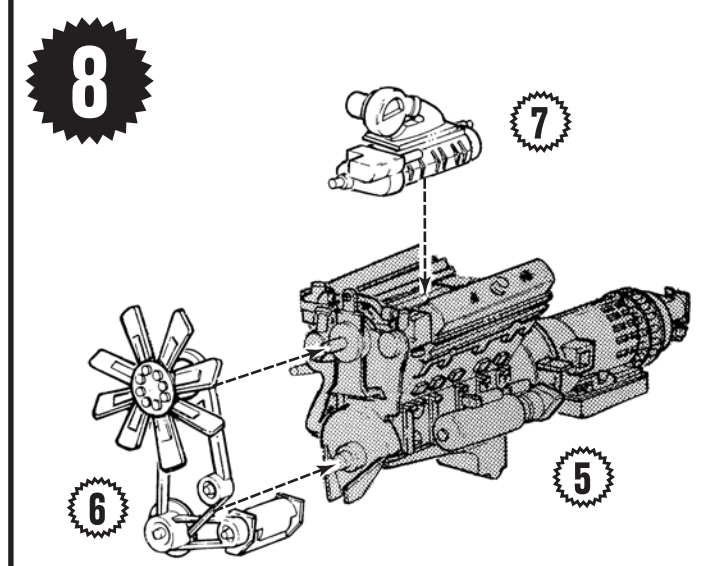
- 70, 73-2



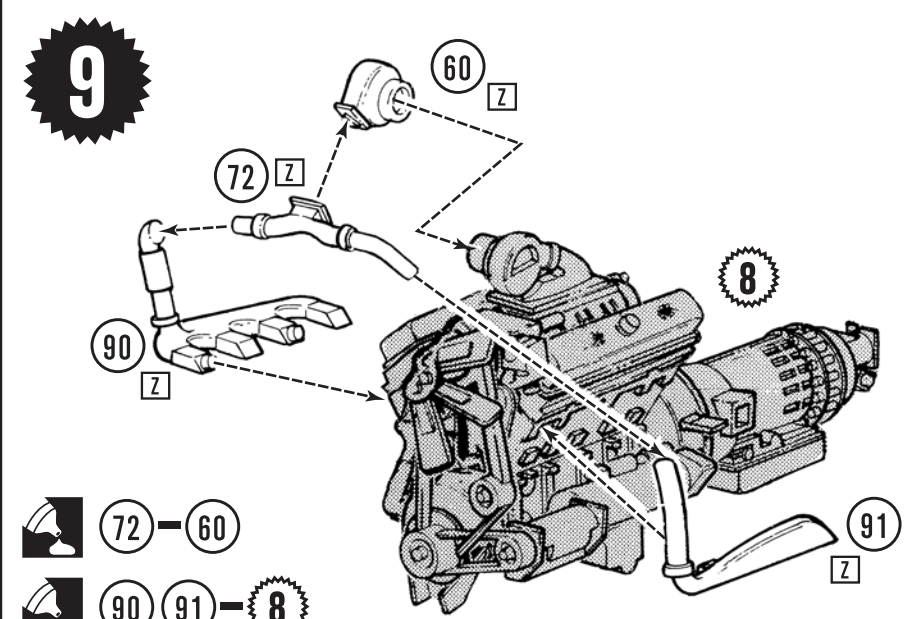
- 52-3
- 80-52



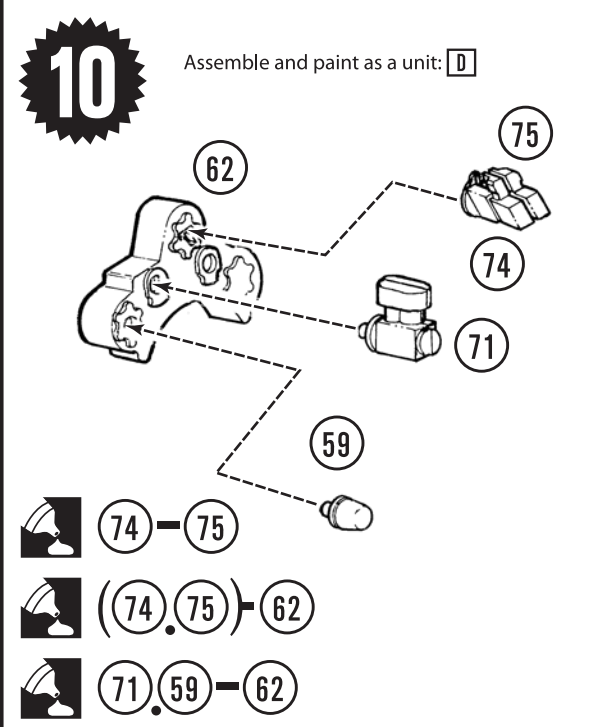
- 54, 56, 57-68



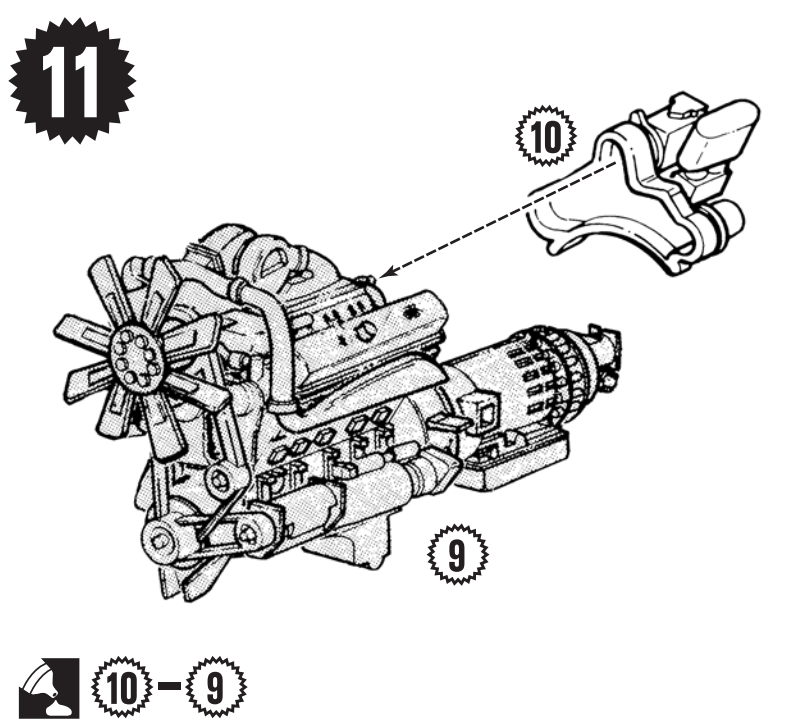
- 6, 7-5



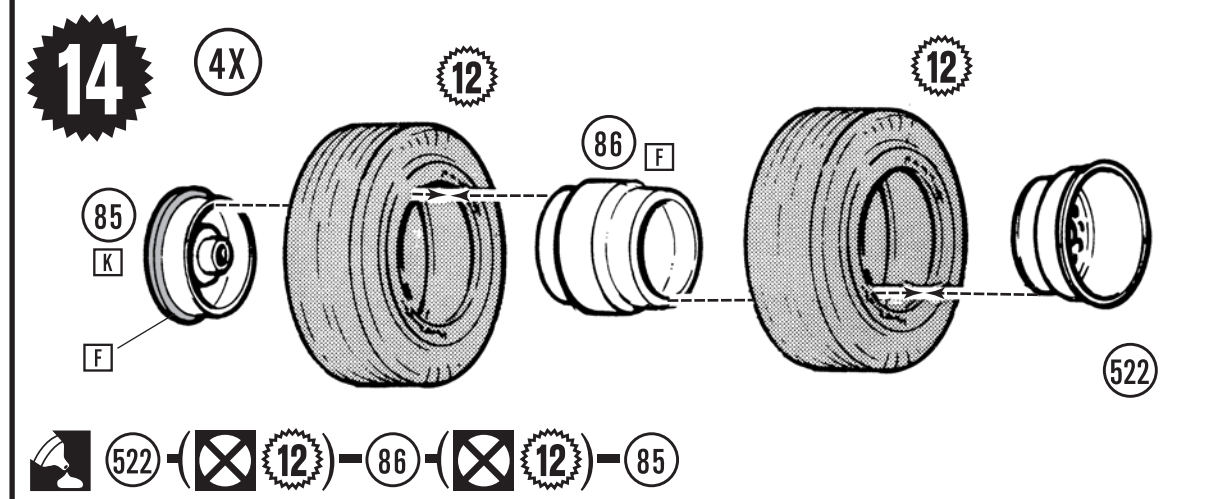
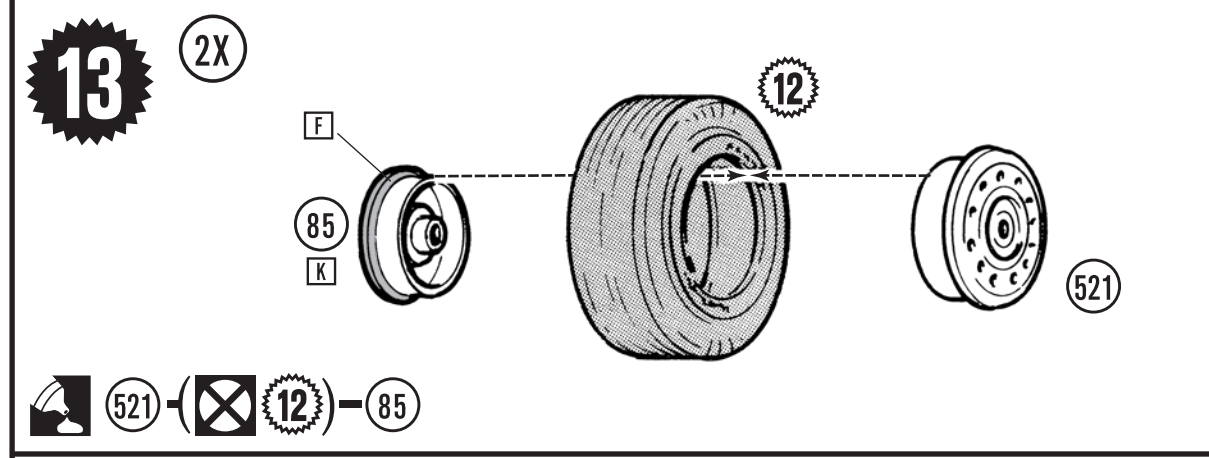
- 72-60
- 90, 91-8
- (60, 72) - 90, 91, 8



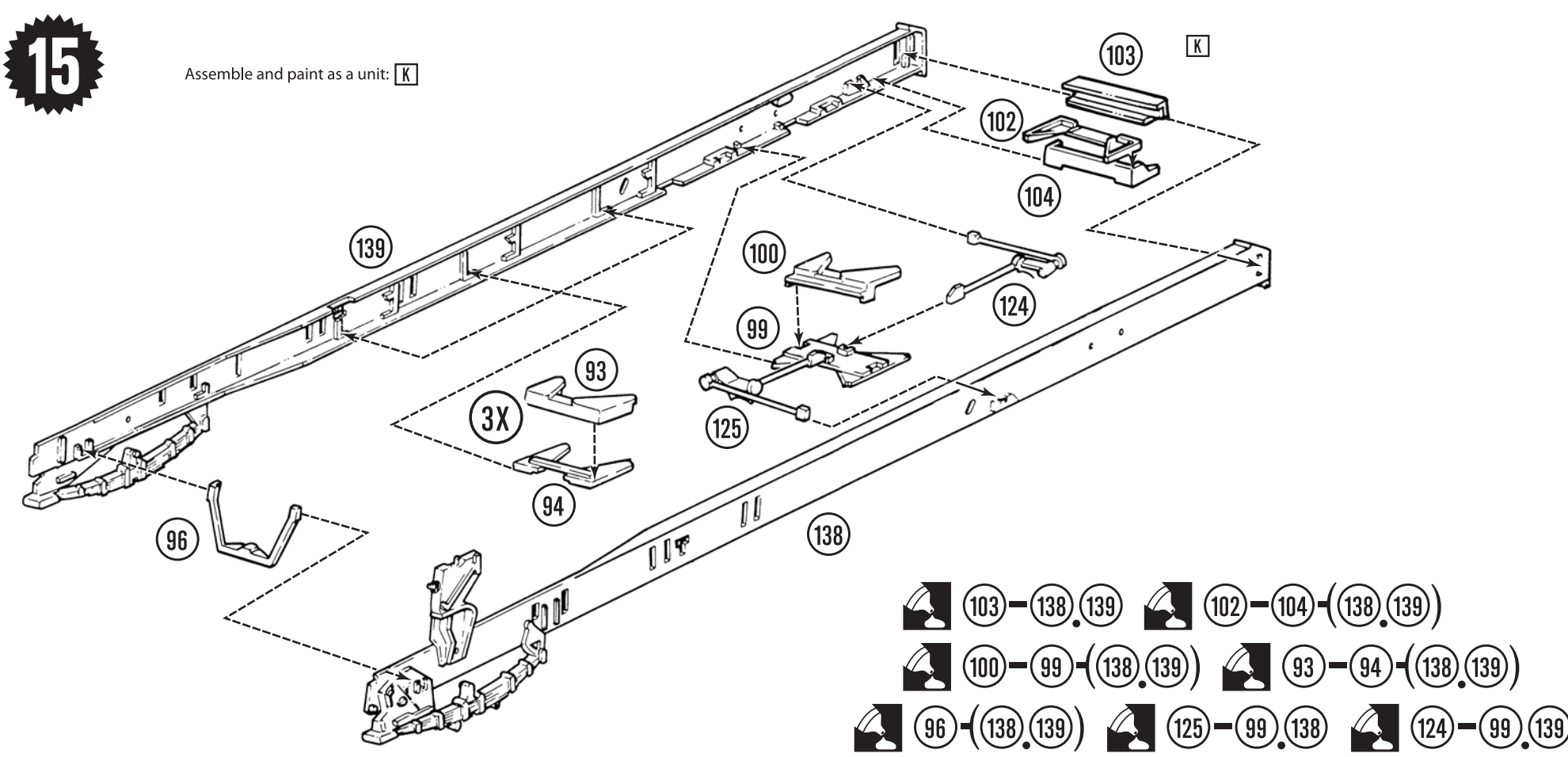
- 74-75
- (74, 75) - 62
- 71, 59-62



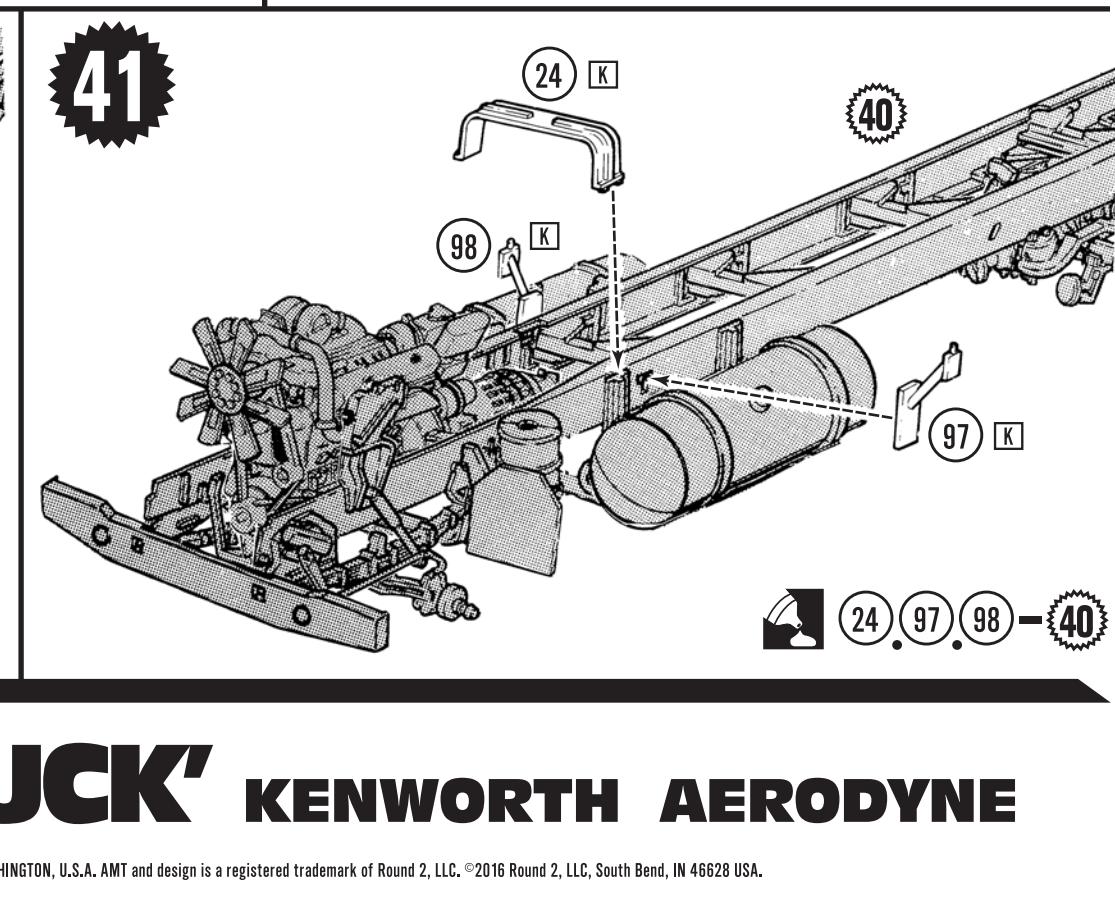
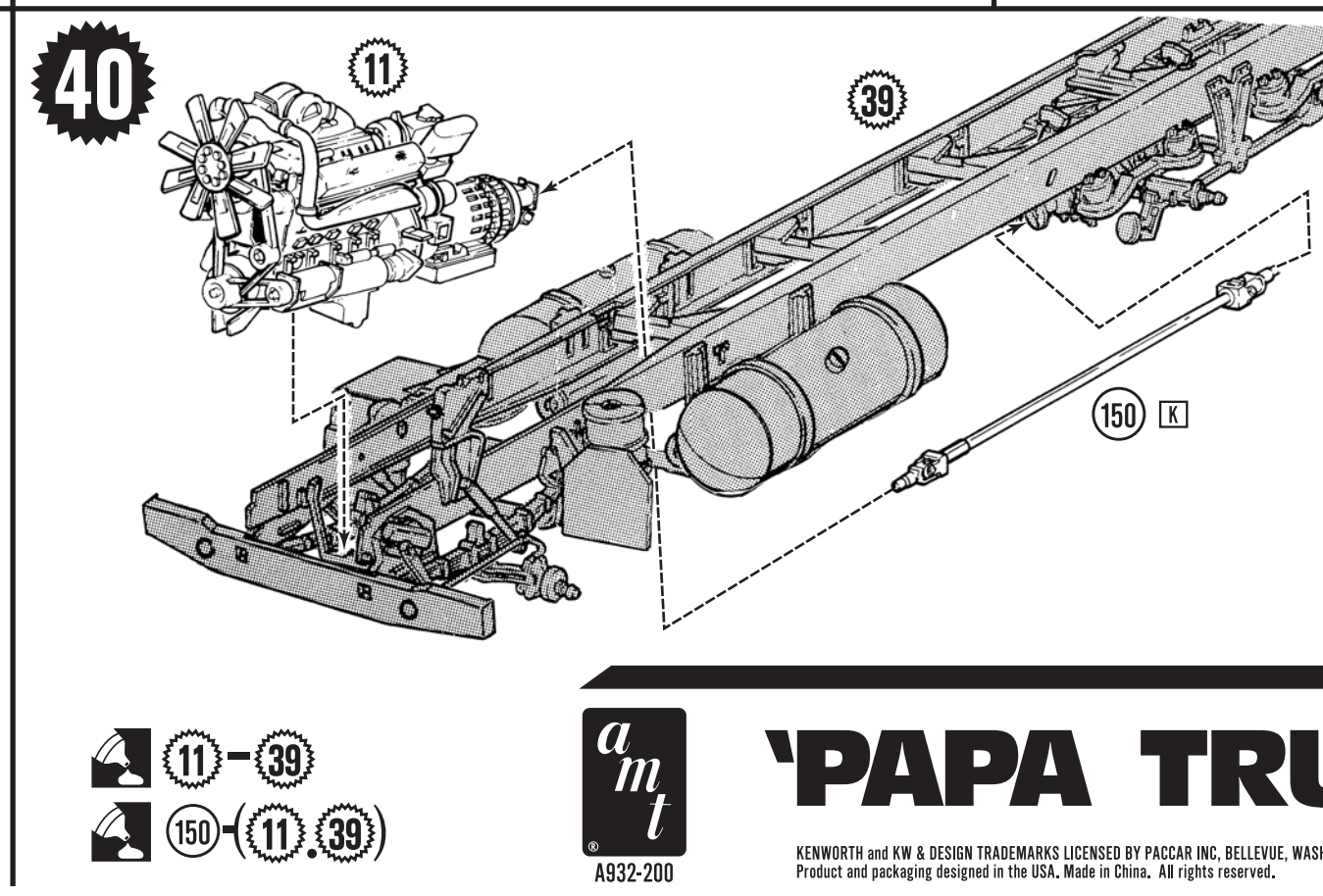
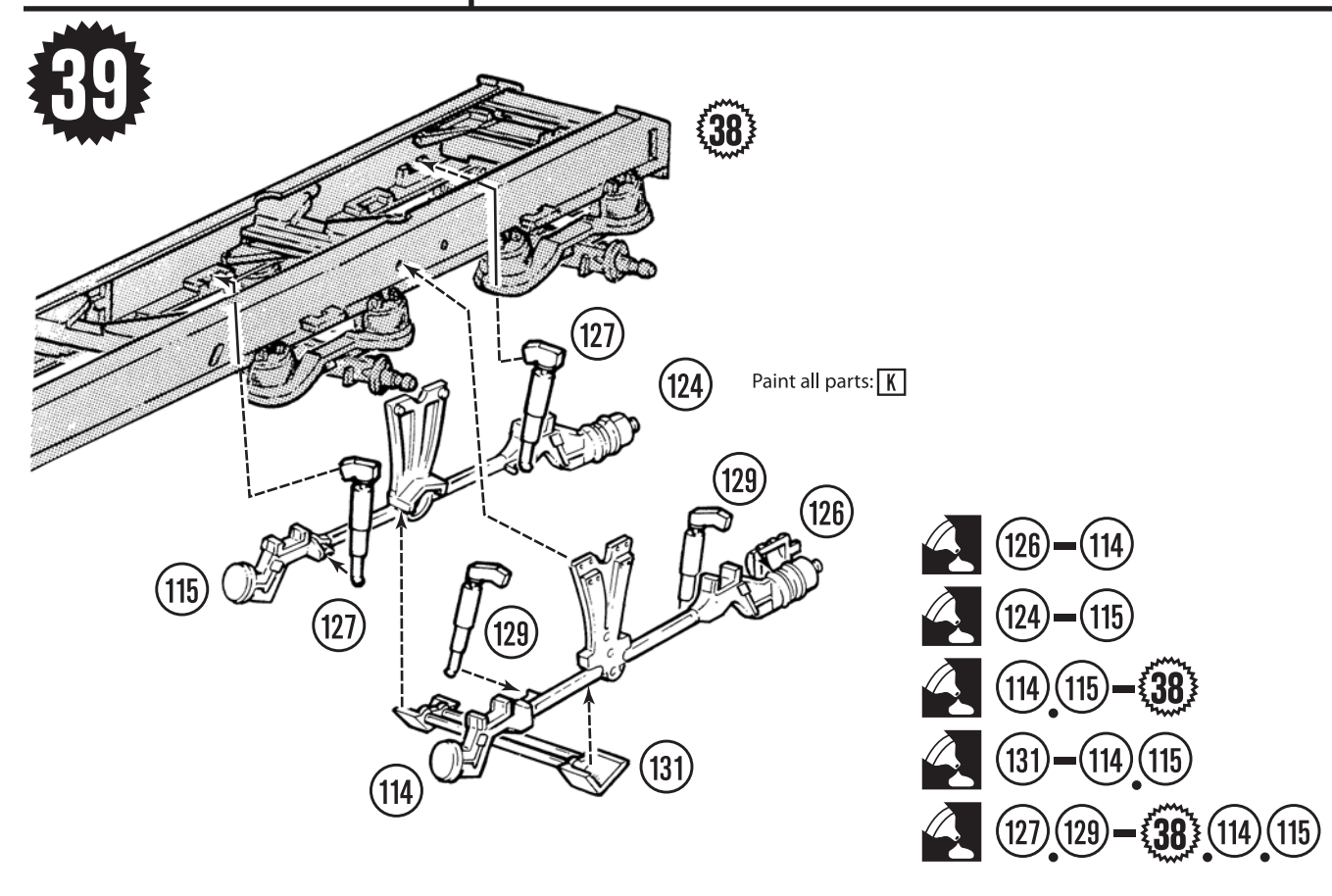
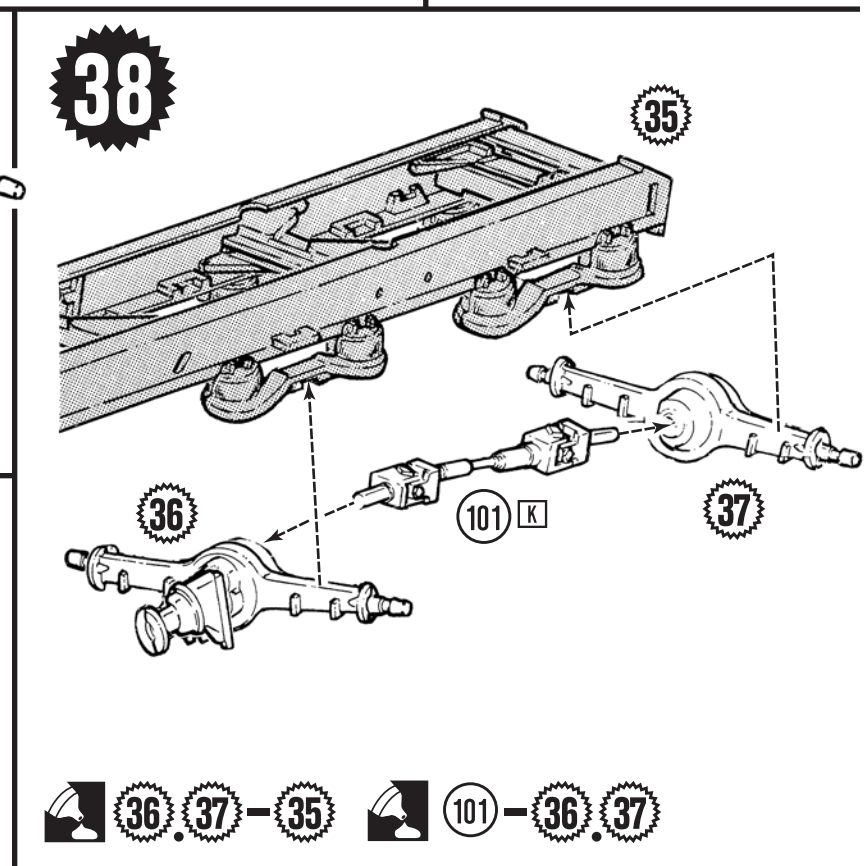
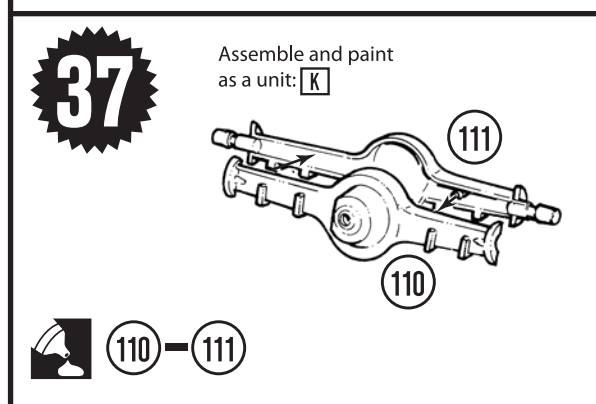
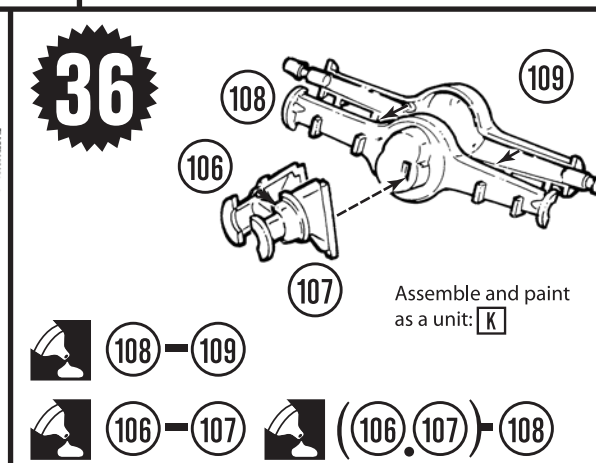
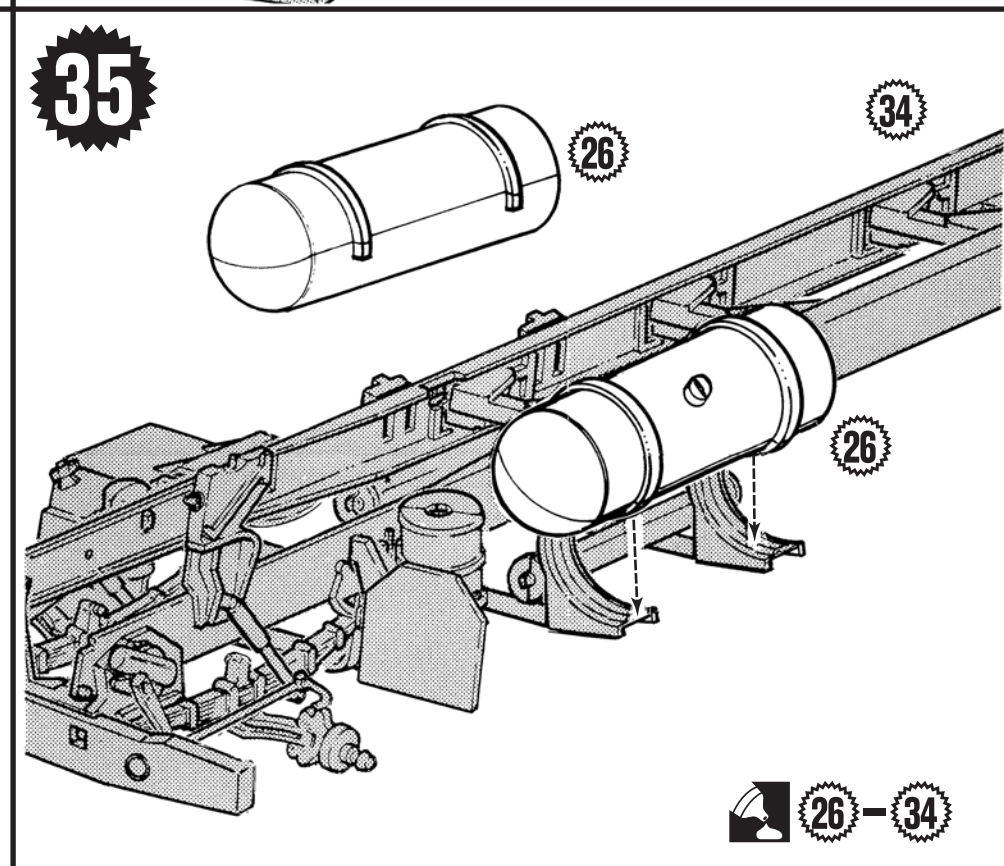
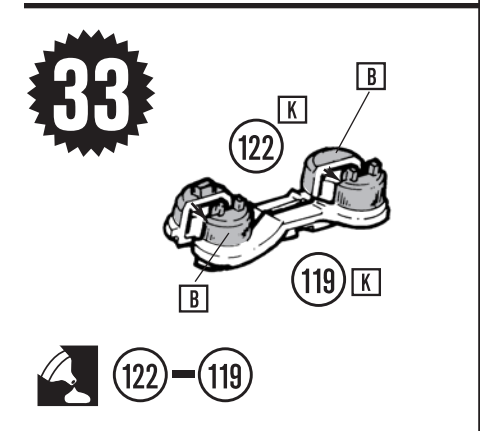
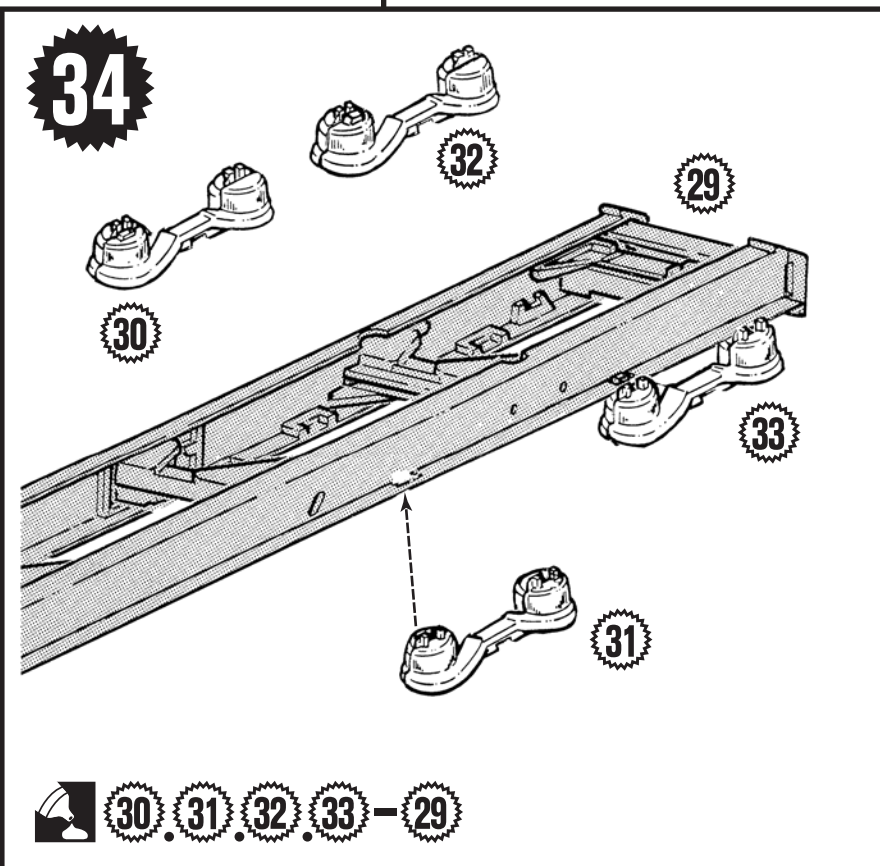
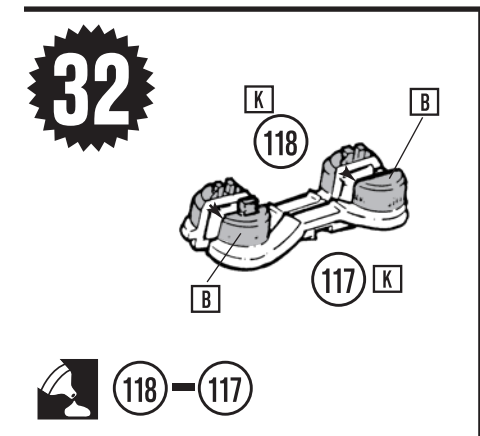
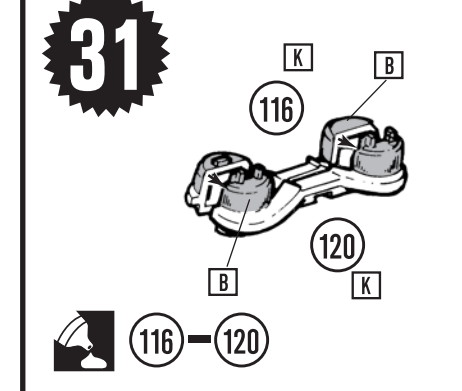
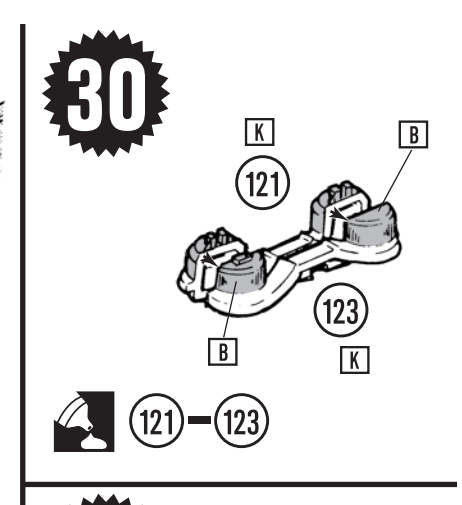
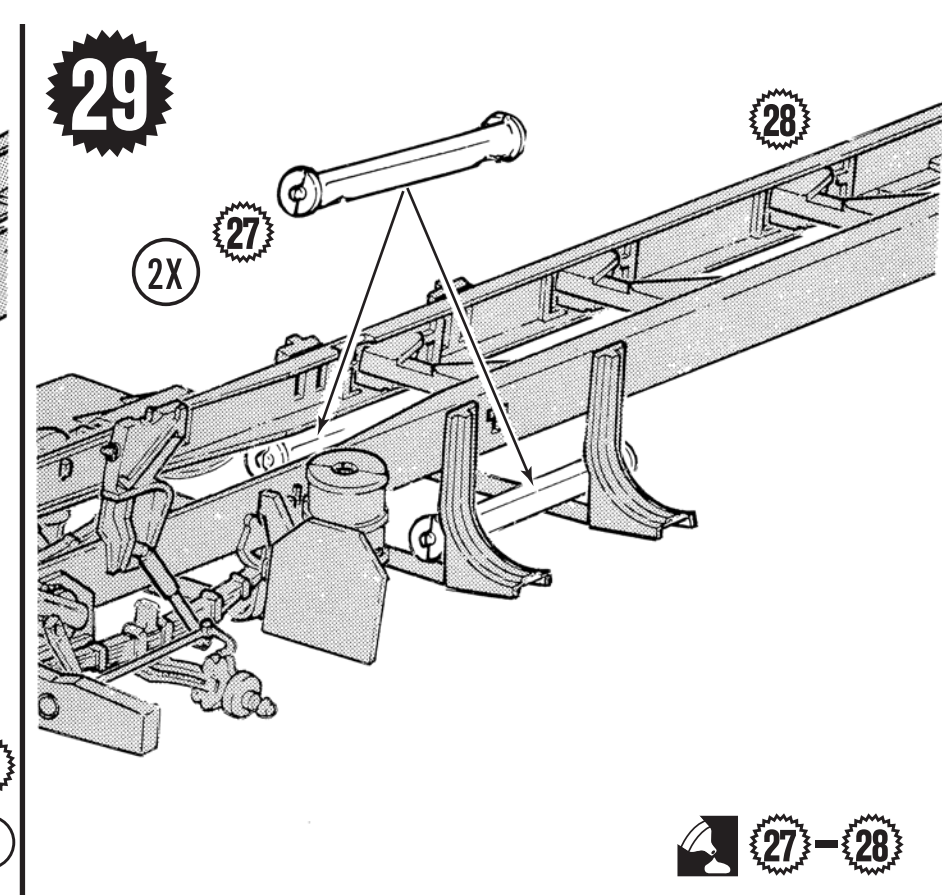
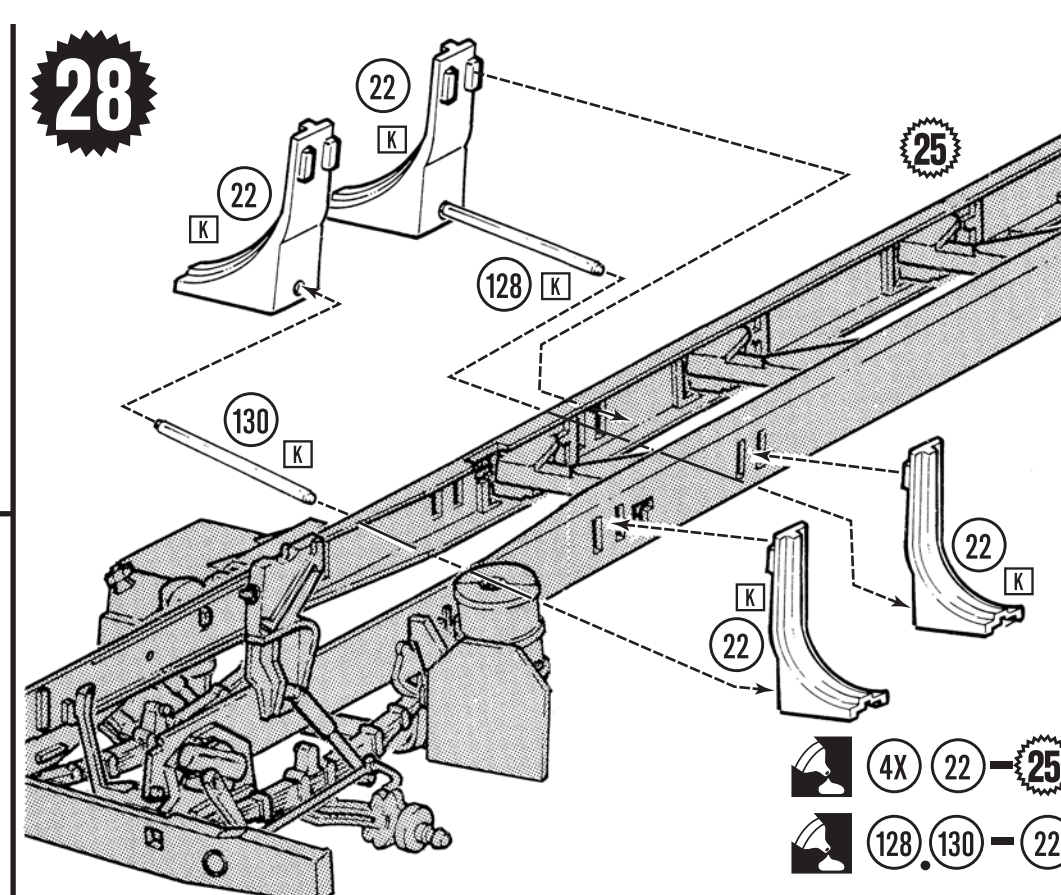
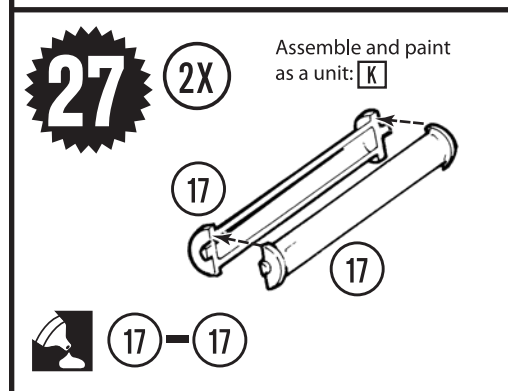
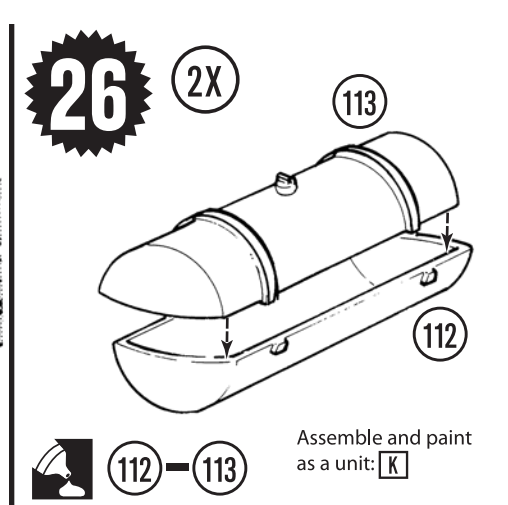
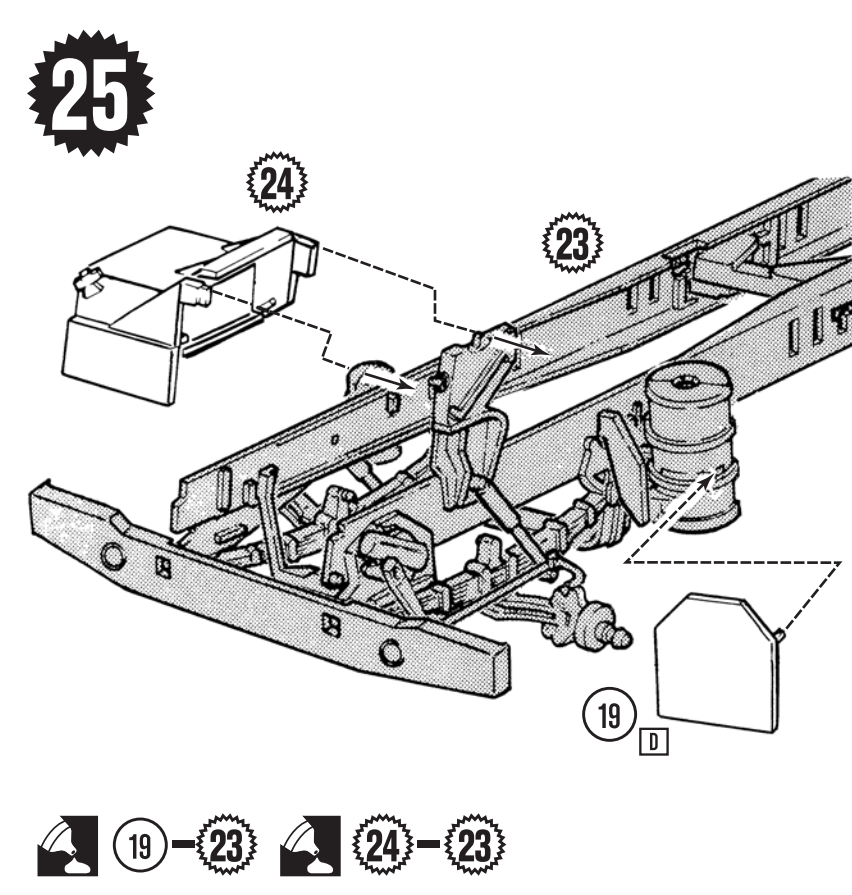
- 10-9



- 522 - (X) 12 - 86 - (X) 12 - 85



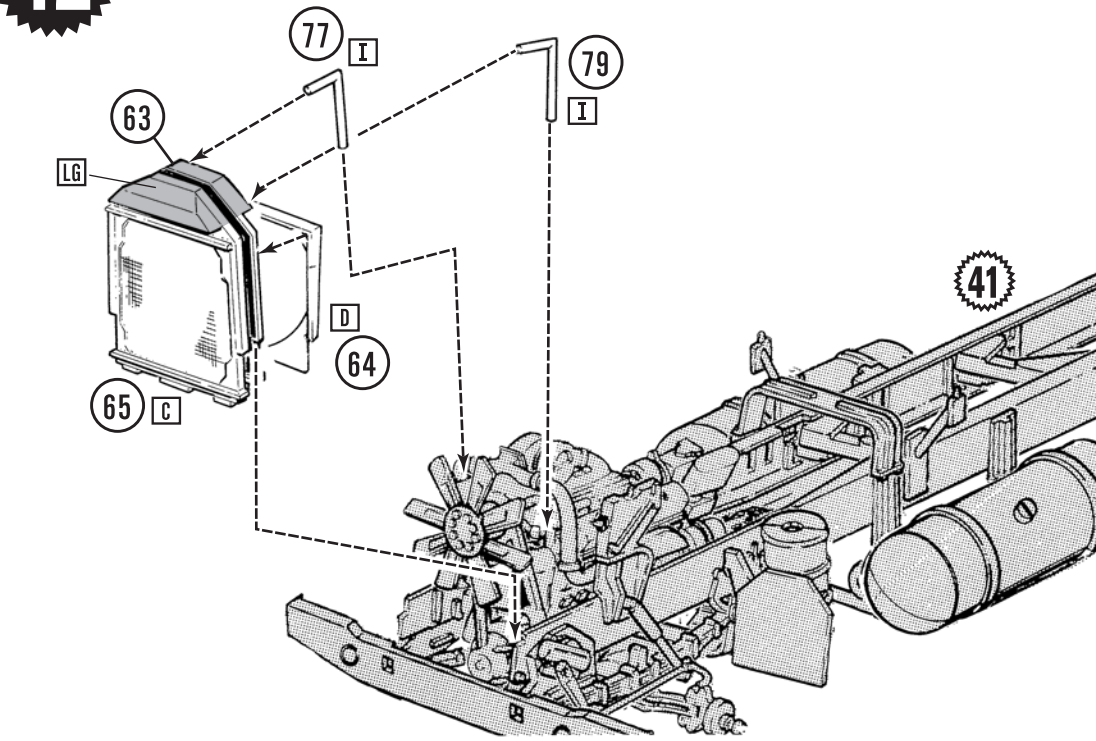
- 103-138, 139
- 102-104, (138, 139)
- 100-99, (138, 139)
- 93-94, (138, 139)
- 96, (138, 139)
- 125-99, 138
- 124-99, 139



'PAPA TRUCK' KENWORTH AERODYNE

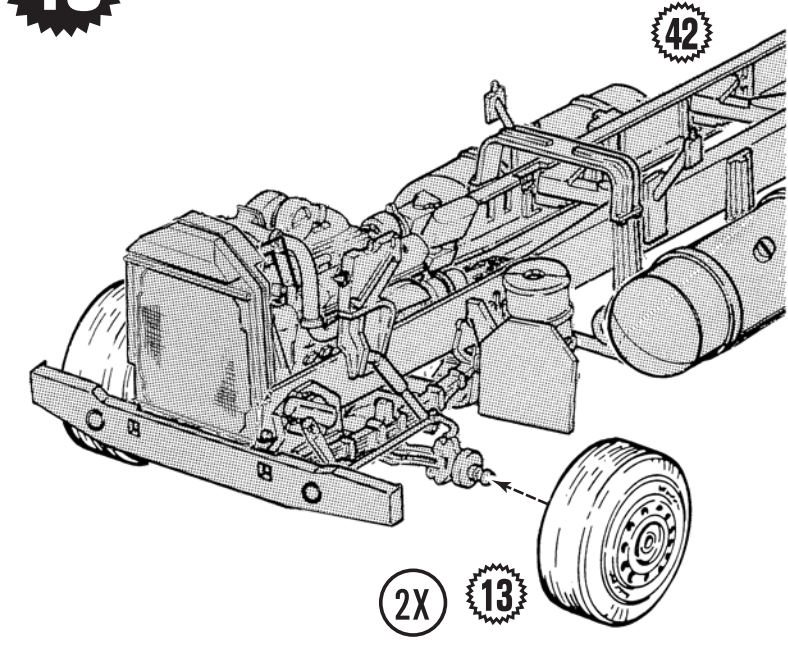
KENWORTH and KW & DESIGN TRADEMARKS LICENSED BY PACCAR INC, BELLEVUE, WASHINGTON, U.S.A. AMT and design is a registered trademark of Round 2, LLC. ©2016 Round 2, LLC, South Bend, IN 46628 USA. Product and packaging designed in the USA. Made in China. All rights reserved.

42



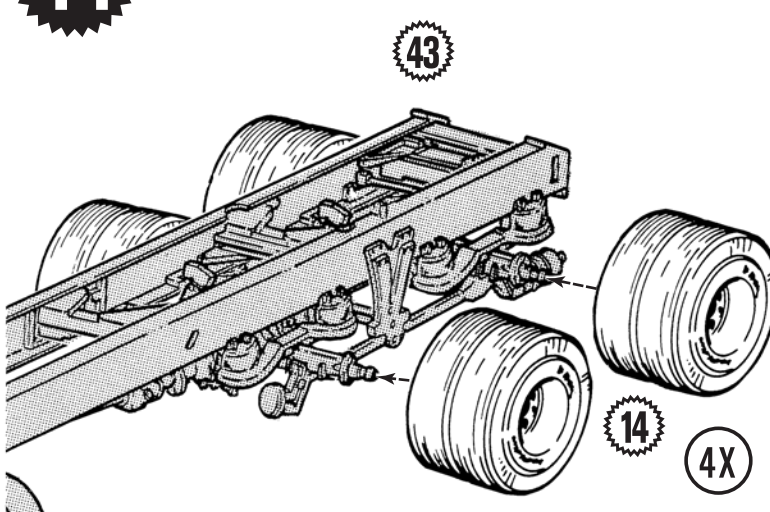
64-63 63-65-41 77-79-63-41

43



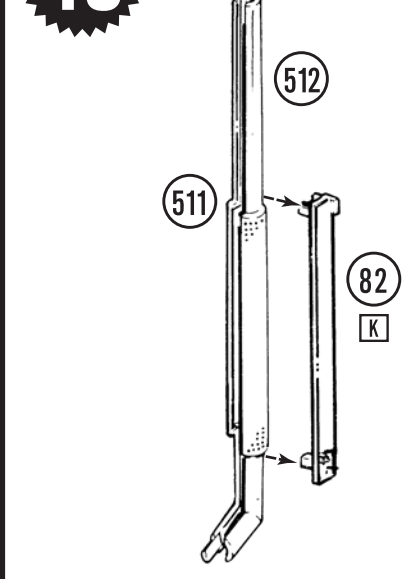
13-42

44



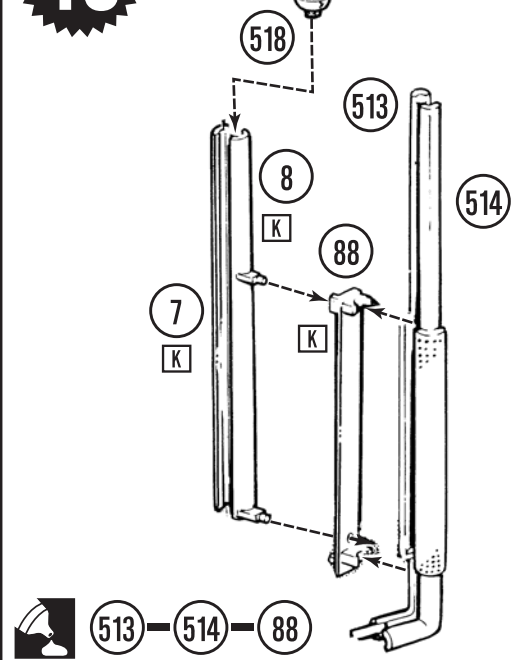
14-43

45



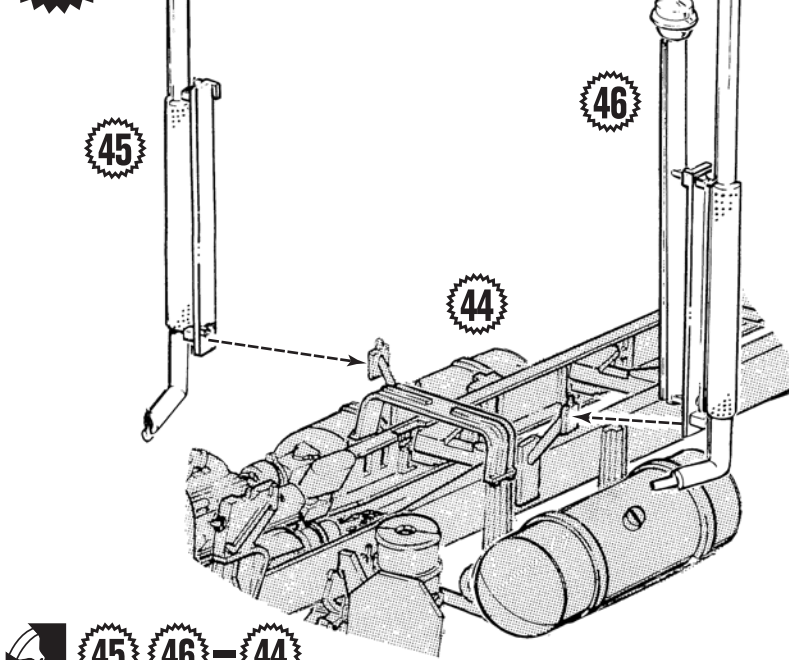
511-512 82-512

46



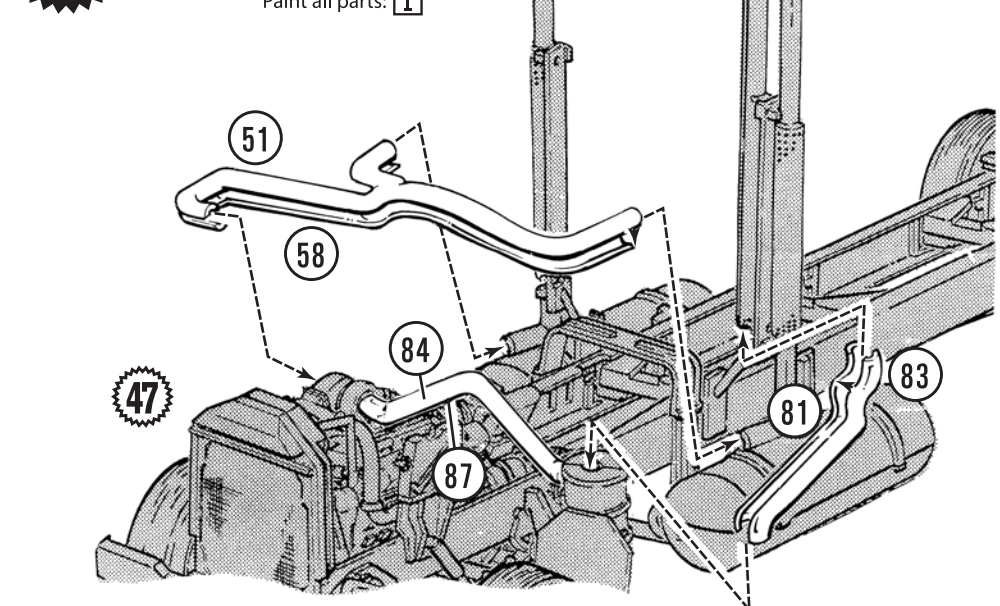
513-514-88 7-8-88 517-518-(7,8)

47



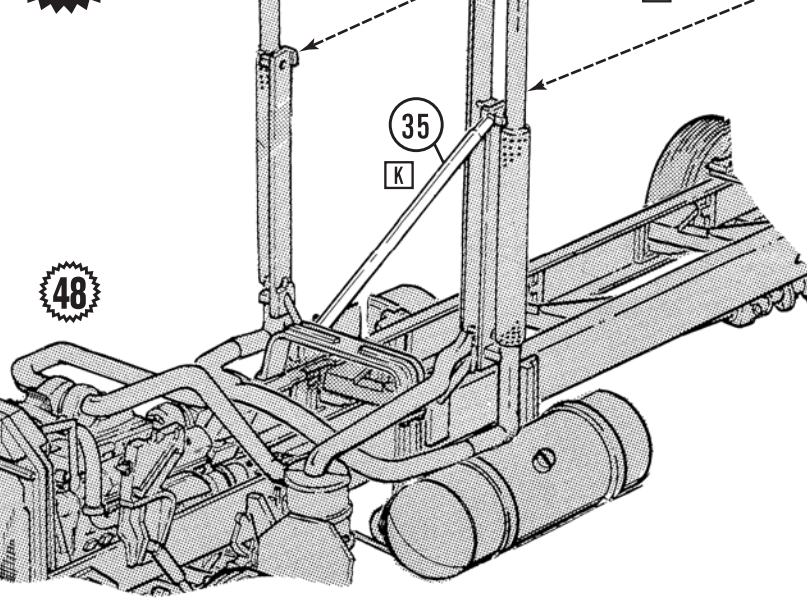
45-46-44

48



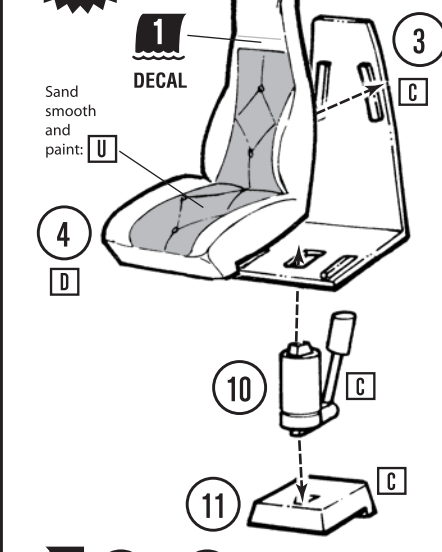
84-87-47 51-58-47 81-83-47

49



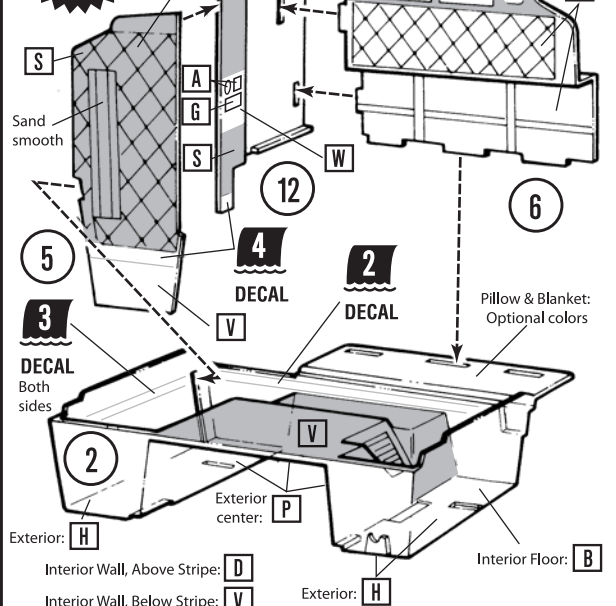
35-36-48

50



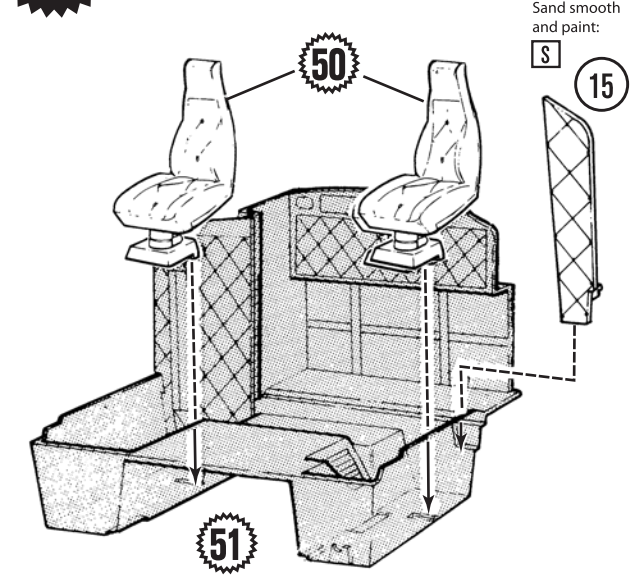
4-3 10-11 10-3

51



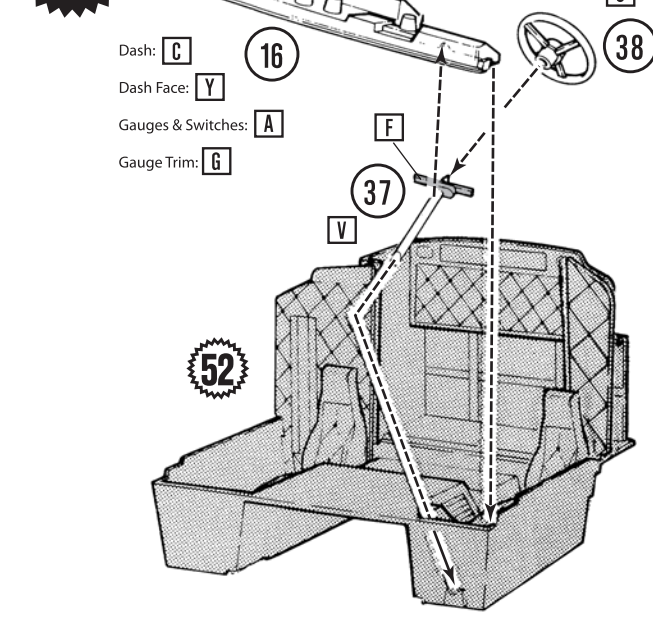
6-12-2 5-(12,2)

52



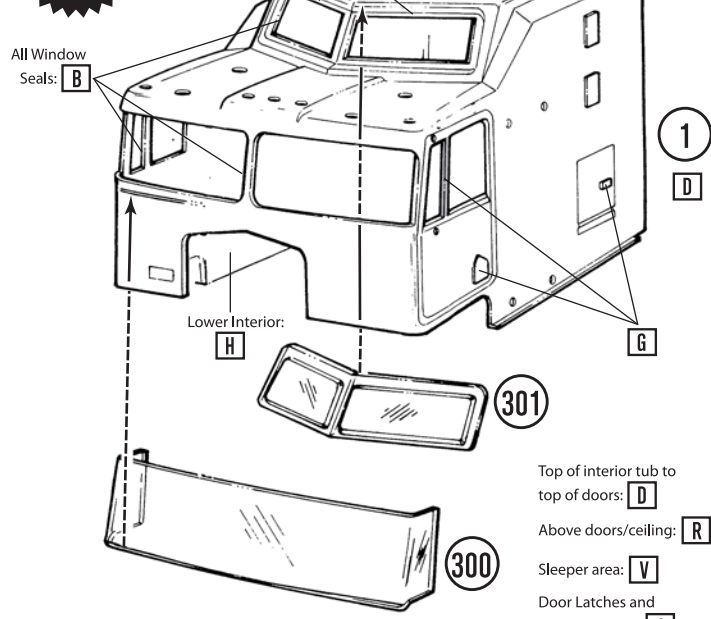
15-51 50-51

53



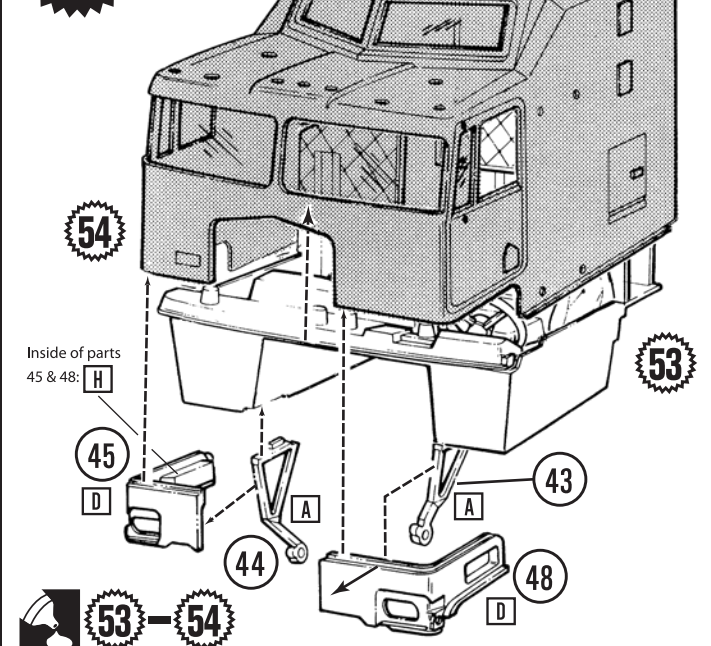
16-52 38-37 37-(16,52)

54



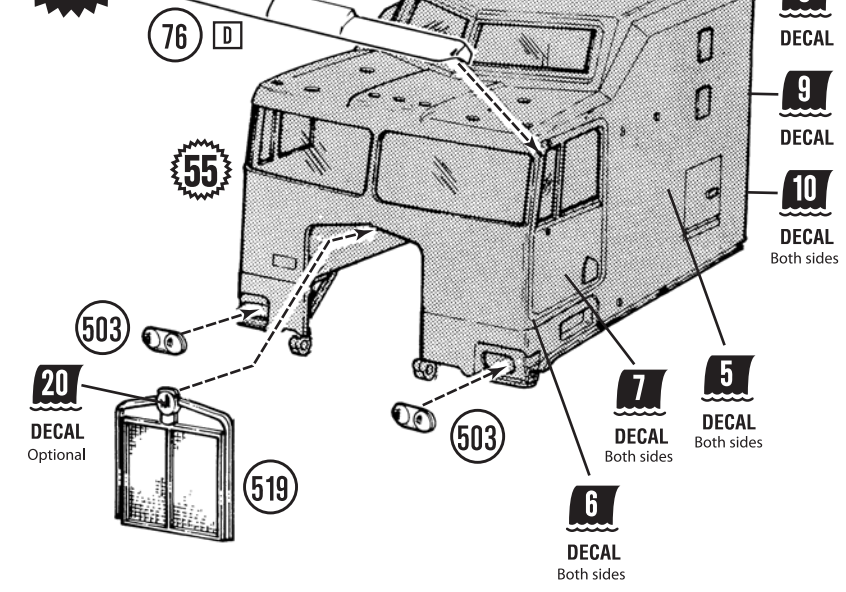
300-301-1

55



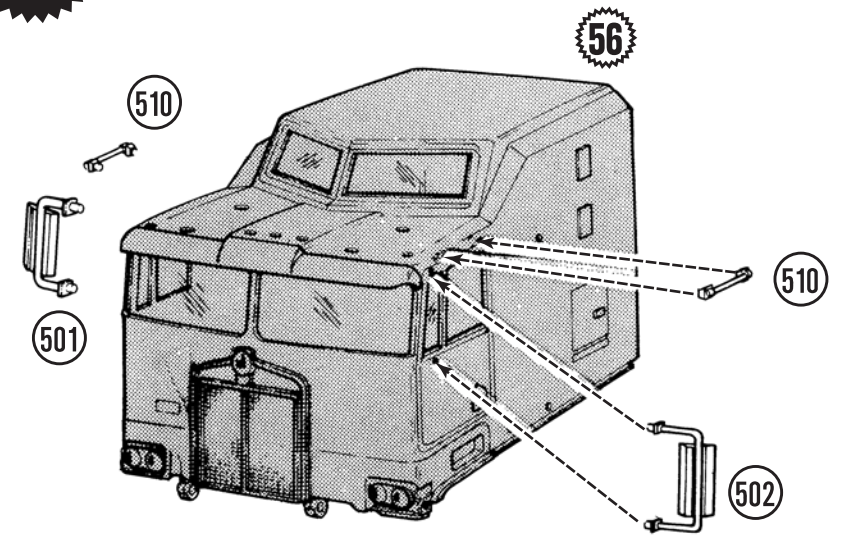
45-48-54 44-43-53-45-48

56



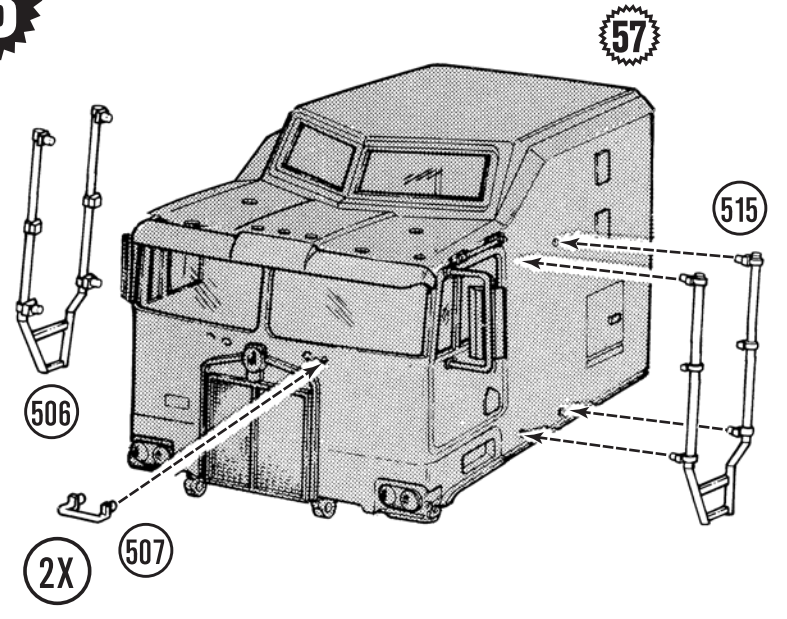
503-503-55 76-519-55

57



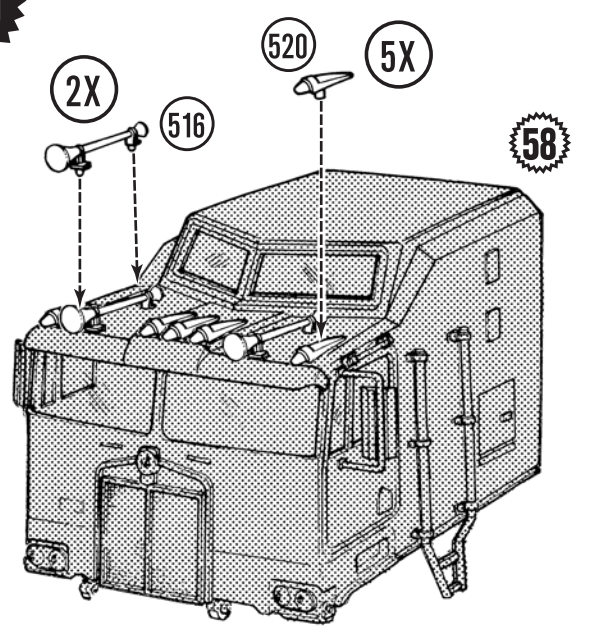
510, 510 - 56 501, 502 - 56

58



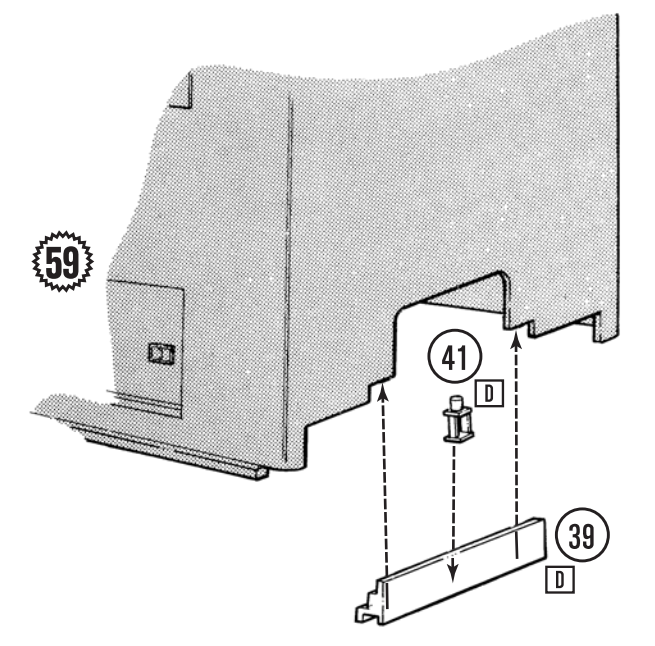
506, 515 - 57 507 - 57

59



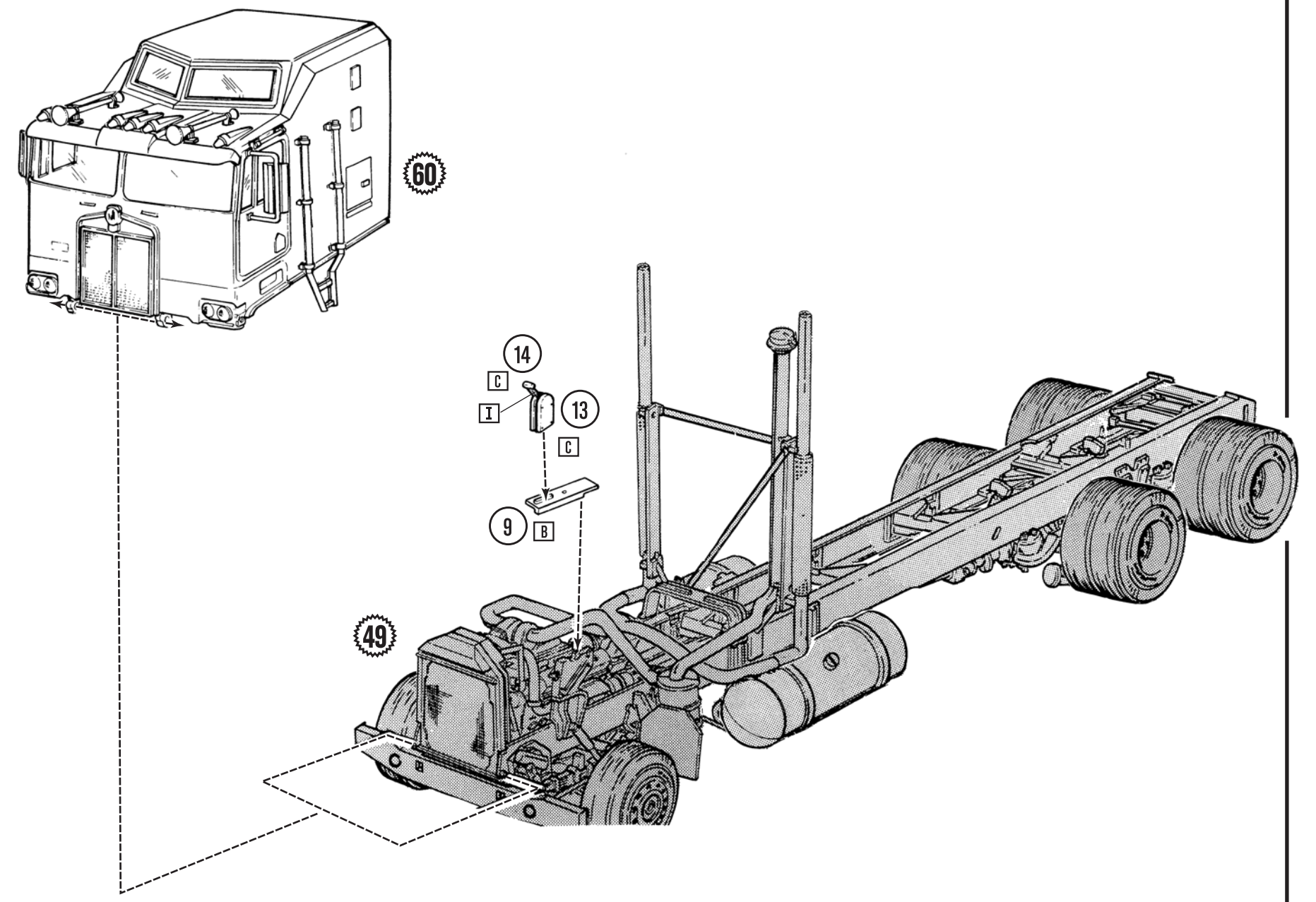
516, 520 - 58

60



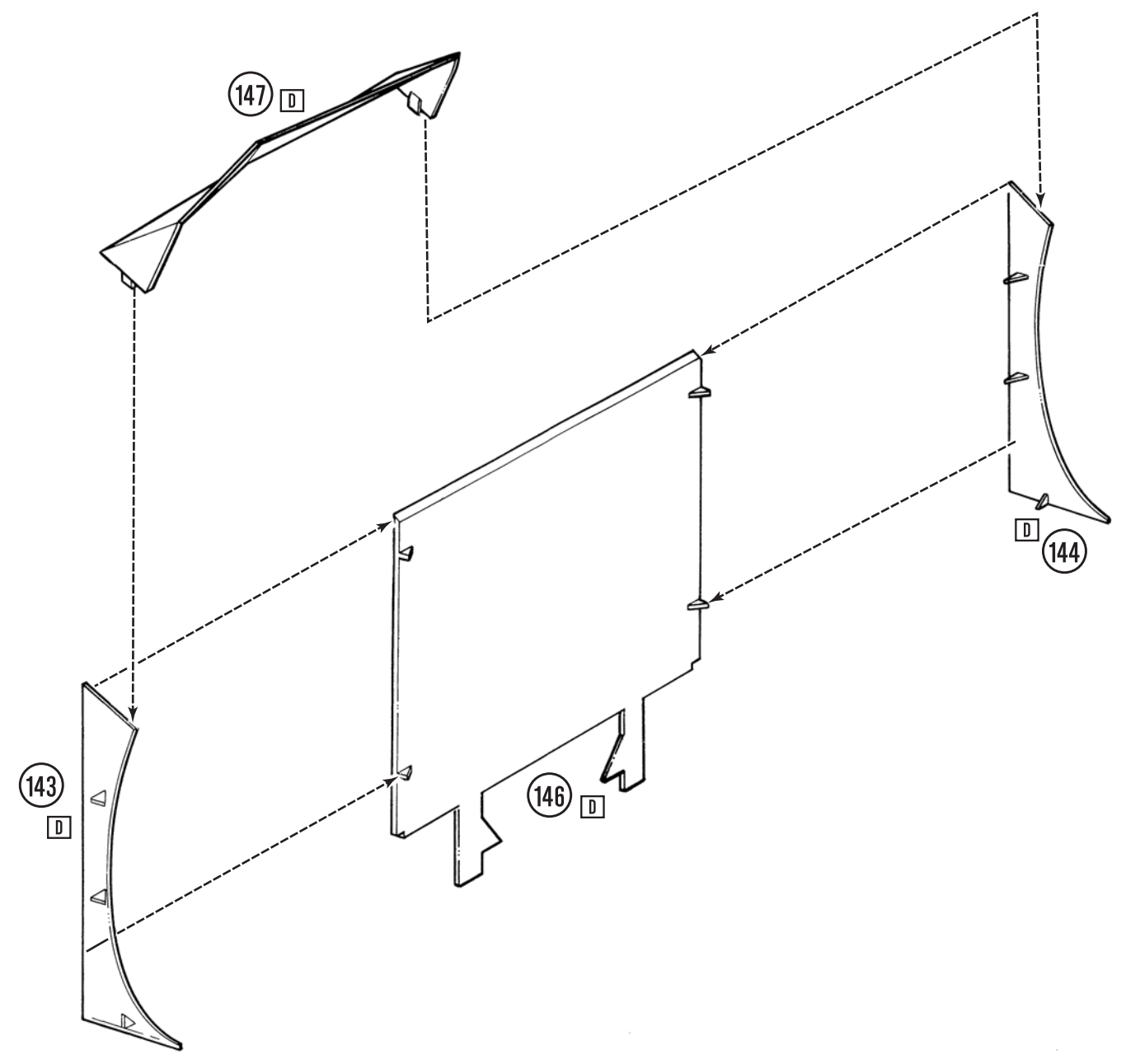
41 - 39 39 - 59

61



13 - 14 - 9 9 - 49 60 - 49

62



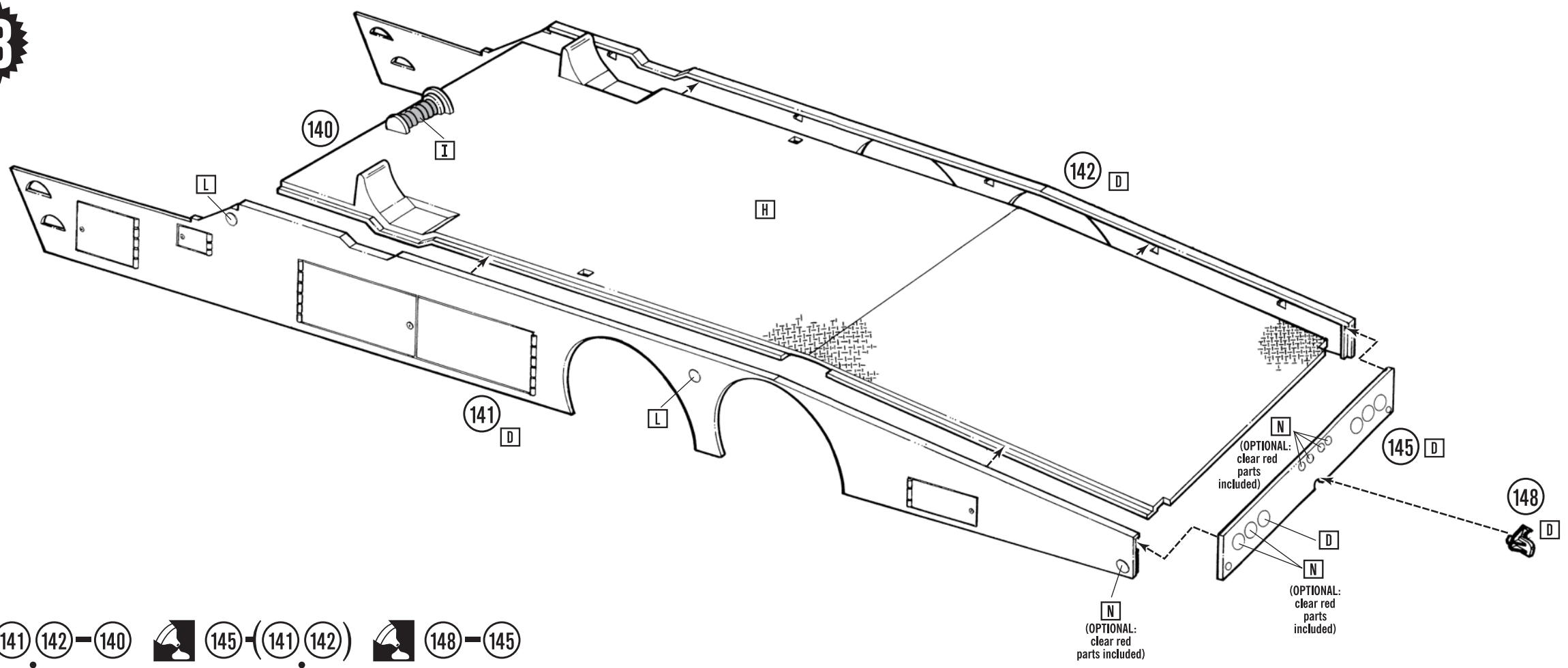
143, 144 - 146 147 - (143, 144)



'PAPA TRUCK' KENWORTH AERODYNE

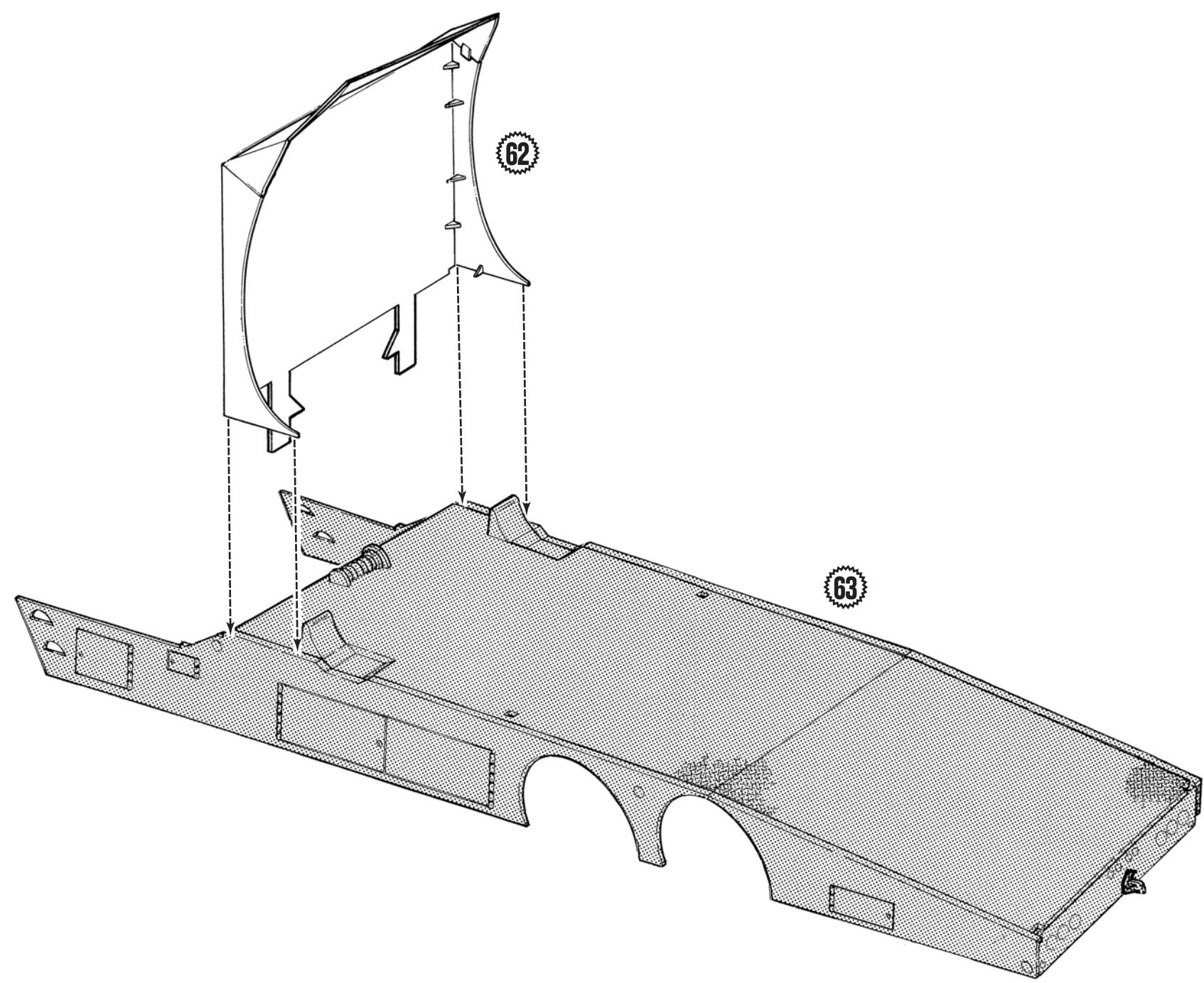
KENWORTH and KW & DESIGN TRADEMARKS LICENSED BY PACCAR INC, BELLEVUE, WASHINGTON, U.S.A. AMT and design is a registered trademark of Round 2, LLC. ©2016 Round 2, LLC, South Bend, IN 46628 USA. Product and packaging designed in the USA. Made in China. All rights reserved.

63



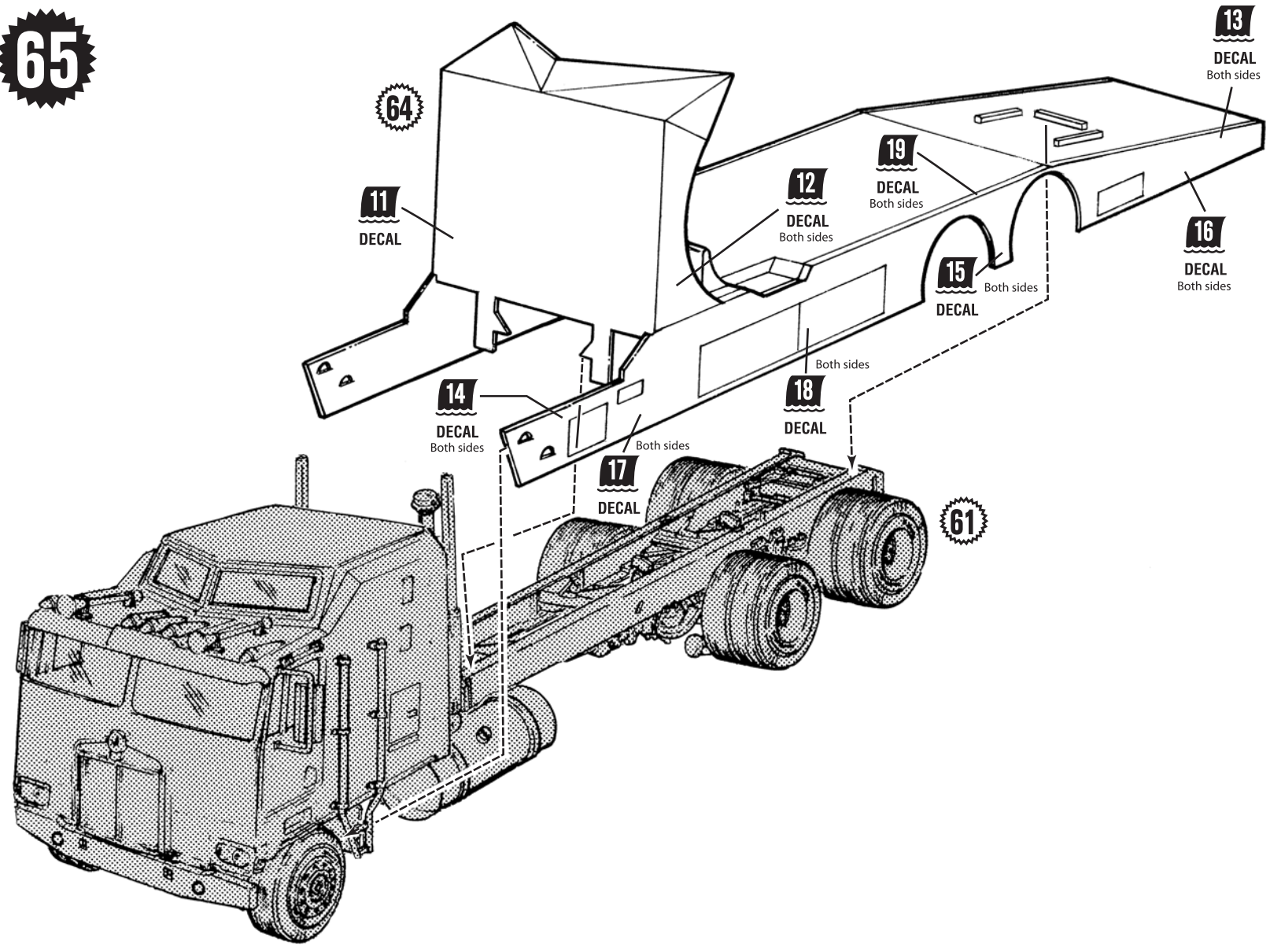
- 141 142 - 140
- 145 (141) (142)
- 148 - 145

64



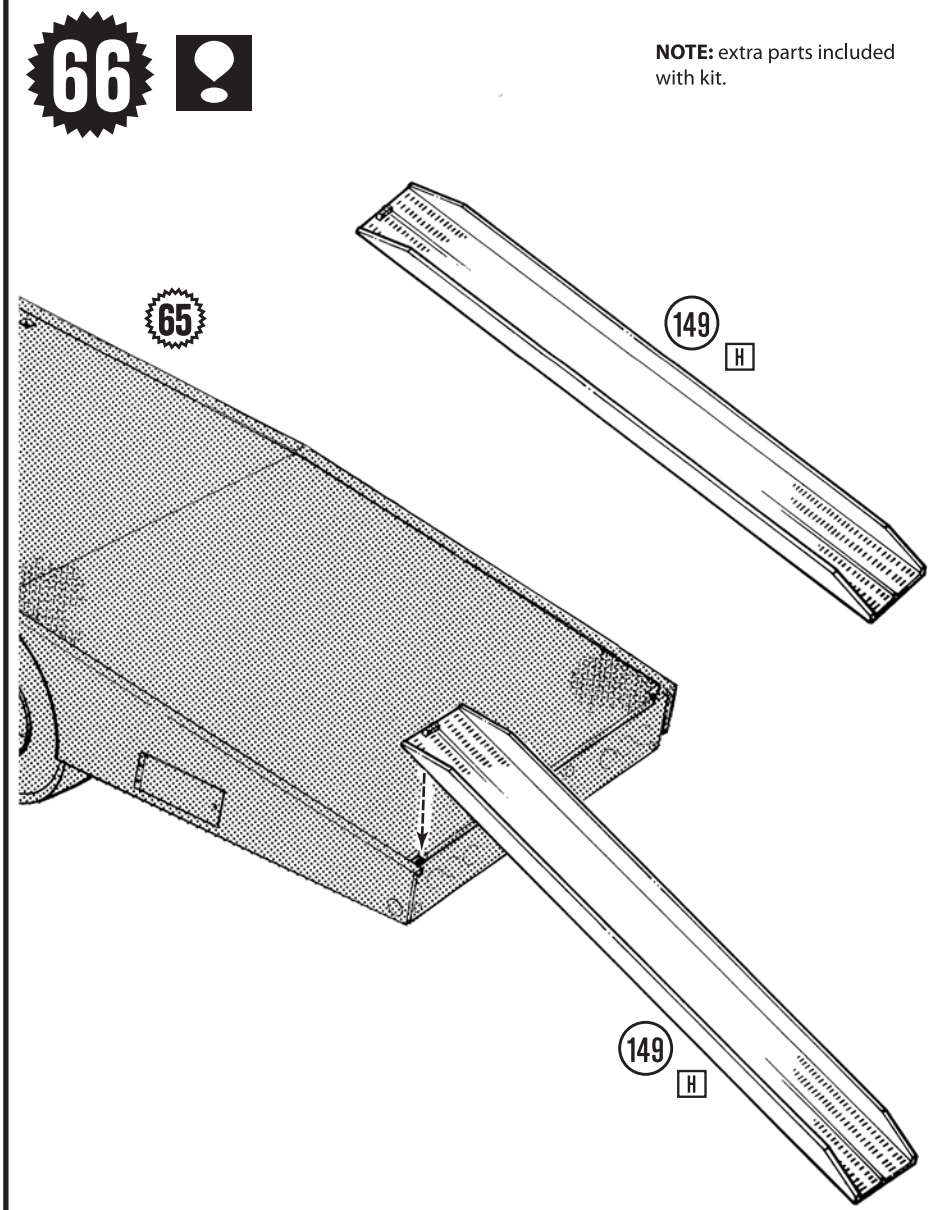
- 62 - 63

65



- 64 - 61

66



NOTE: extra parts included with kit.

- 149 - 65