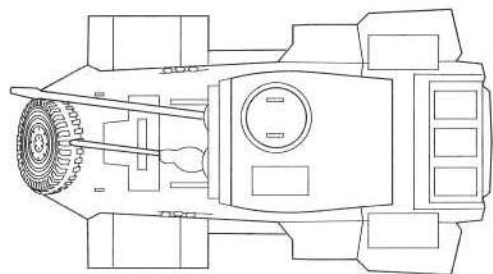
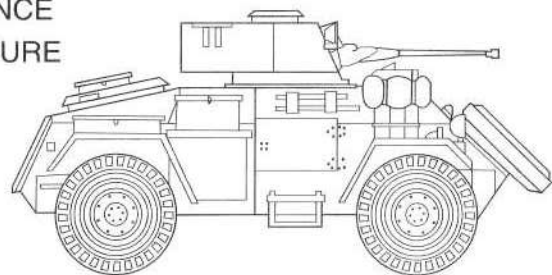


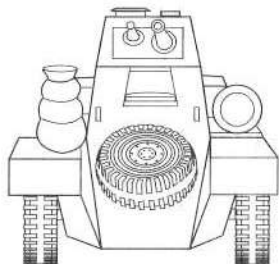
俯視圖  
LOOK DOWN PICTURE



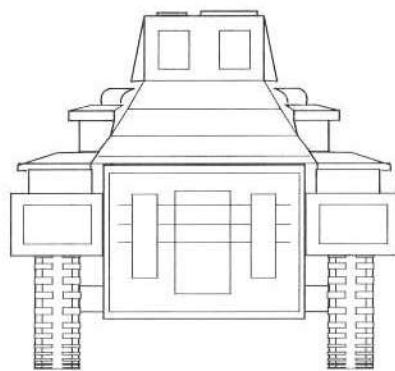
側視圖  
SIDE  
GLANCE  
PICTURE



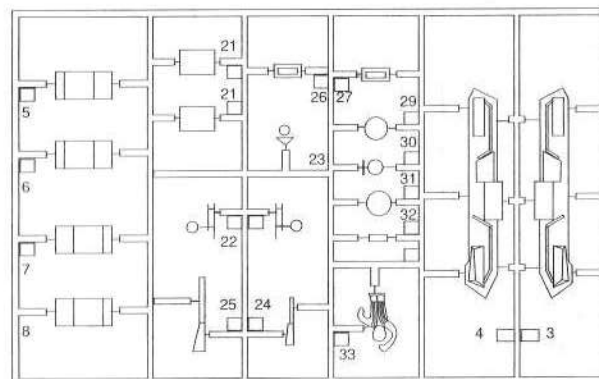
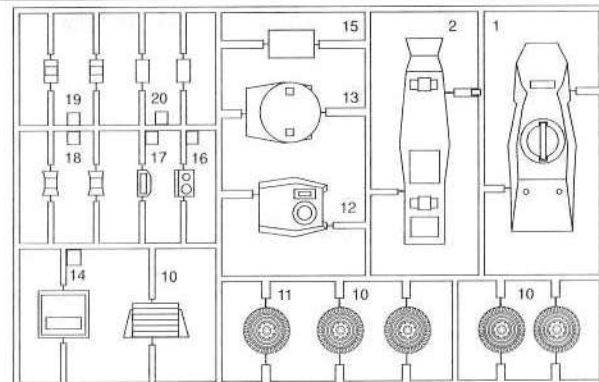
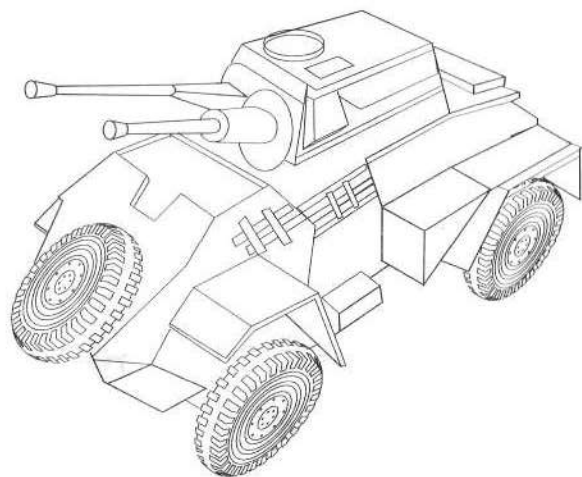
正視圖  
ENVISAGE  
PICTURE



後部圖  
BACKSIGHT PICTURE



完成圖  
COMPLETE



所有零配件  
ALLPARTS

- 1.車蓋
- 2.車底
- 3.左車箱邊
- 4.右車箱邊
- 5.右前沙蓋
- 6.左前沙蓋
- 7.右后沙蓋
- 8.左后沙蓋
- 9.車頭蓋
- 10.前右車輪
- 11.備用車輪
- 12.炮身
- 13.炮箱底
- 14.車身工具箱
- 15.車身后工具箱
- 16.炮身前蓋

- 17.車身前蓋
- 18.車頭左右包袱
- 19.車頭左右炸藥
- 20.左右工具箱
- 21.左右輪工具箱
- 22.左拉手
- 23.右拉手
- 24.小炮
- 25.大炮
- 26.左路腳
- 27.右路腳
- 28.車身前蓋拉手
- 29.炮身上蓋
- 30.右車頭燈
- 31.霧燈
- 32.車頭門拉手
- 33.士兵

- 1.cover
- 2.chassis
- 3.right compartment
- 4.left compartment
- 5.right cover
- 6.left cover
- 7.right back cover
- 8.left back cover
- 9.head cover
- 10.tire
- 11.in rese tire
- 12.gun box
- 13.gun box chassis
- 14.box tools
- 15.back tools cover
- 16.gun body front cover

- 17.body front cover
- 18.head baggage
- 19.head trinitrotoluol
- 20.left and right tools
- 21.back tire tools
- 22..left catch
- 23.right catch
- 24.small gun
- 25.big gun
- 26.left pedal
- 27.right pedal.
- 28.body front catch
- 29.gun body cover
- 30.right car lamp
- 31.mist lamp
- 32.car door catch
- 33.soldiery

# 英國裝甲車 MK. II

## ARMOURED CAR HUMBLED MK. II

ITEM NO 11



注意

●在裝配之前務必看清楚說明 ●12歲以下兒童組裝時，大人應邊看說明邊指揮

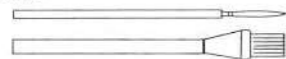
- 1.準備組裝材料，組裝前閱讀說明書
- 2.撕亂和扔掉防礙小孩運動的塑料包裝及工具箱防止小孩活動時卡在頭上。
- 3.適當地剪掉零件，把零件同類的廢物扔進垃圾箱
- 4.不要玩零件，因為有些很銳利，需要注意和開心家裏的未成年者。
- 5.不要誤吞任何零件，讓小孩避開。
- 6.不正確或粗心使用鋸子挫刀切割時，將會影響組裝。
- 7.使用膠水粘接材料時，注意以下幾點：
  - a 不要在關閉的房間裏使用避免毒。
  - b 不要在火邊進行，以免燃燒掉。

CAUTION

MAKE SURE TO READ INSTRUCTIONS LISTED BELOW BEFORE ASSEMBLING.  
ADULT SUPERVISOR SHOULD ALSO READ INSTRUCTIONS WHEN ASSEMBLED BY CHILDREN 12 OR YOUNGER.  
1. THIS BEING AN ASSEMBLY KIT. READ THE INSTRUCTIONS BEFORE ASSEMBLING.  
2. TEAR UP AND THROW AWAY THE PLASTIC BAGS CONTAINING KIT PARTS AS CHILDREN MAY SUFFOCATE BY SWALLOWING OR WEARING OVER HEAD.  
3. CUT THE PARTS OFF PROPERLY AND THROW THE WASTE PARTS INTO DUSTBOX AT ONCE.  
4. DO NOT PLAY WITH THE PARTS FOR ANY OTHER PURPOSE AS SOME PARTS MAY BE TOO SHARP. MORE CAUTION AND CARE NEEDED FOR FAMILIES WITH INFANTS.  
5. DO NOT SWALLOW ANY PARTS AND CUT-OFF CHIPS. KEEP AWAY FROM REACH OF CHILDREN.  
6. WRONG OR CARELESS USAGE OF NIPPER, CUTTER, FILE ETC. MAY HURT THE ASSEMBLER.  
7. BE CAUTIOUS AS FOLLOWS WHEN USING ADHESIVES AND/OR PAINTS:  
DO NOT USE IN CLOSED ROOM TO AVOID POISONING/TOXIC.  
DO NOT USE NEAR FIRE TO AVOID FLAMMABILITY.

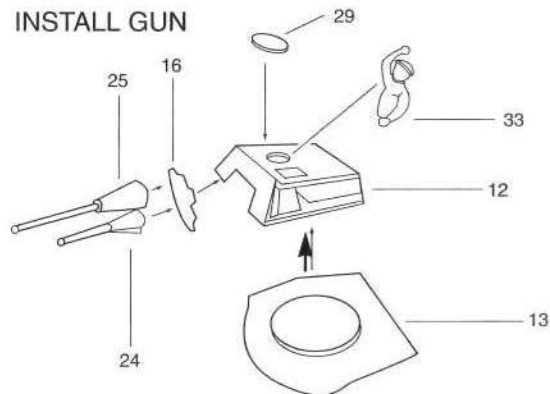
組裝前必備小刀、刷子、剪刀、膠水以便在組裝時修掉零配件多的部分。

BEFORE INSTALL, YOU MUST READY A KNIFE, SCISSORS AND ABRUSH, IN ORDER TO CONVENIENCE INSTALL.

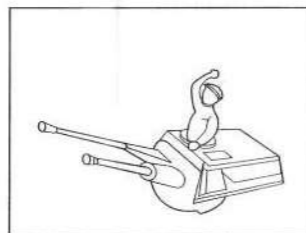


### ① 組裝大炮

#### INSTALL GUN

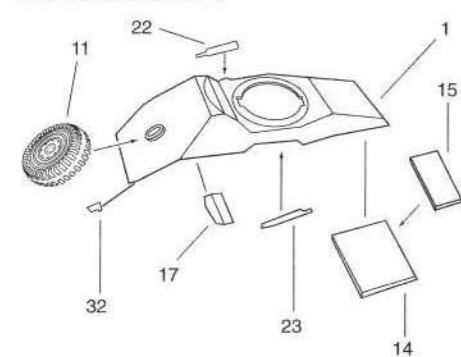


- |          |                          |
|----------|--------------------------|
| 12. 炮身   | 12. gun box              |
| 13. 炮箱底  | 13. gun box chassis      |
| 16. 炮身前蓋 | 16. gun body front cover |
| 24. 小炮   | 24. small gun            |
| 25. 大炮   | 25. big gun              |
| 29. 炮身上蓋 | 29. gun body cover       |
| 33. 士兵   | 33. soldiery             |

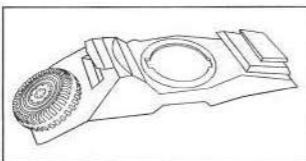


### ② 組裝蓋子

#### INSTALL COVER

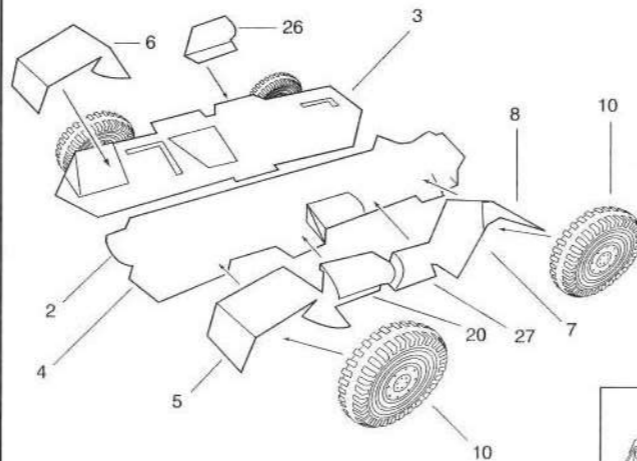


- |            |                      |
|------------|----------------------|
| 1. 車蓋      | 1. cover             |
| 11. 備用車輪   | 11. in reserve tire  |
| 14. 車身工具箱  | 14. box tools cover  |
| 15. 車身后工具箱 | 15. back tools cover |
| 17. 車身前蓋   | 17. body front cover |
| 22. 左拉手    | 22. left catch       |
| 23. 右拉手    | 23. right catch      |
| 32. 車頭門拉手  | 32. car door catch   |

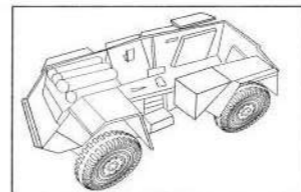


### ③ 組裝車輪和車底

#### INSTALL TIRE AND CHASSIS

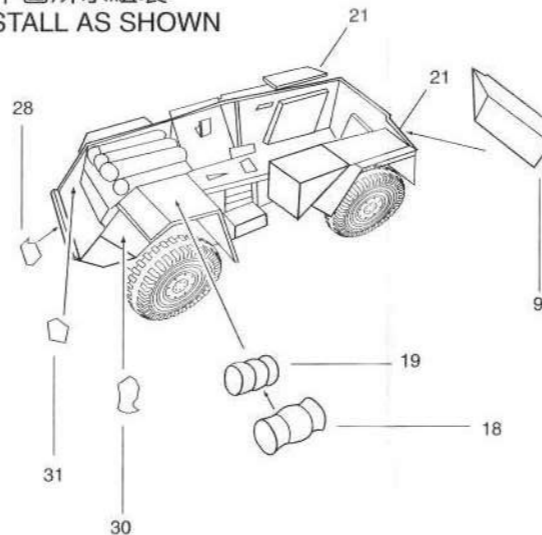


- |           |                          |
|-----------|--------------------------|
| 2. 車底     | 2. chassis               |
| 3. 左車箱邊   | 3. right compartment     |
| 4. 右車箱邊   | 4. left compartment      |
| 5. 右前沙蓋   | 5. right cover           |
| 6. 左前沙蓋   | 6. left                  |
| 7. 右后沙蓋   | 7. right back cover      |
| 8. 左后沙蓋   | 8. left back cover       |
| 10. 前后車輪  | 10. tire                 |
| 20. 左右工具箱 | 20. left and right tools |
| 26. 左踏腳   | 26. left pedal           |
| 27. 右踏腳   | 27. right pedal          |

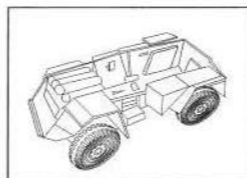


### ④ 照下圖所示組裝

#### INSTALL AS SHOWN



- |            |                         |
|------------|-------------------------|
| 9. 車頭蓋     | 9. head cover1          |
| 18. 車頭左右包狀 | 18. head trinitrotoluol |
| 19. 車頭左右炸藥 | 19. head front catch    |
| 21. 左右輪工具箱 | 21. back tire tools     |
| 28. 車身前蓋拉手 | 28. body front catch    |
| 30. 右車尖燈   | 30. right car lamp      |
| 31. 霧燈     | 31. mist lamp           |



### ⑤ 總裝圖

#### FIT TOGETHER PICTURE

