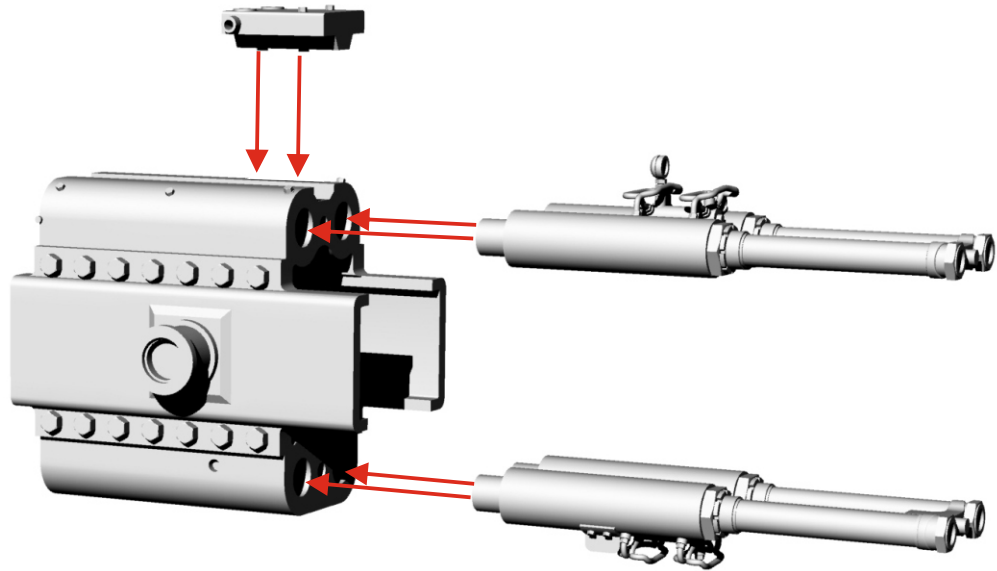




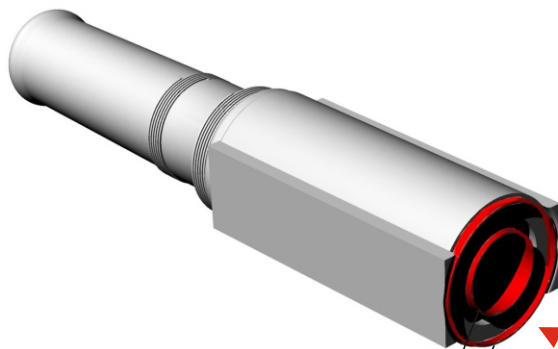
# English 15-inch B.L. howitzer, Mark I. Coventry pattern, 1916

GM122 1/35

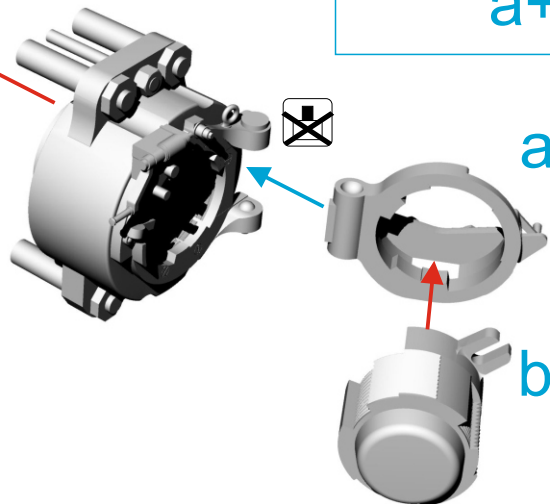
Attention! Some details in the instructions may differ in terms of equipment. These are kits of several individual parts or complex designs with combined parts.



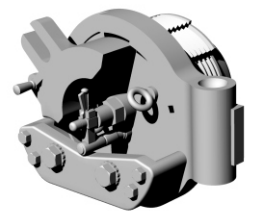
1



delete marked in red



view of assembled breech

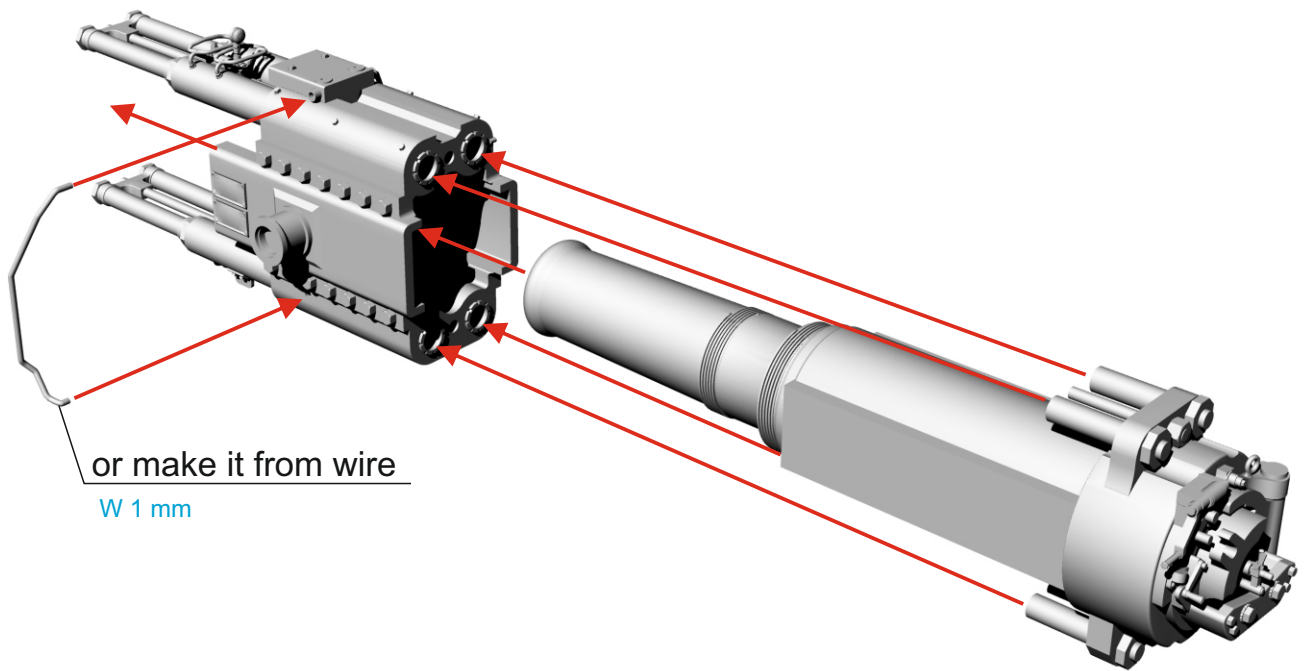


a+b

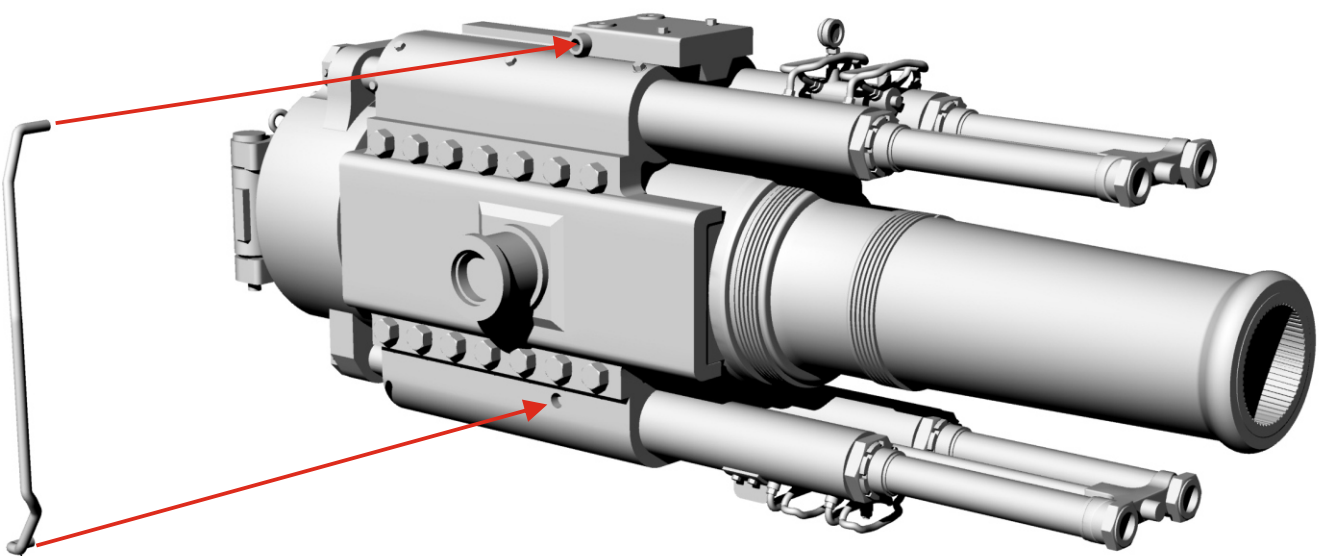
a

b

2



**3**



**4**



Optional: Part was not used on all models.

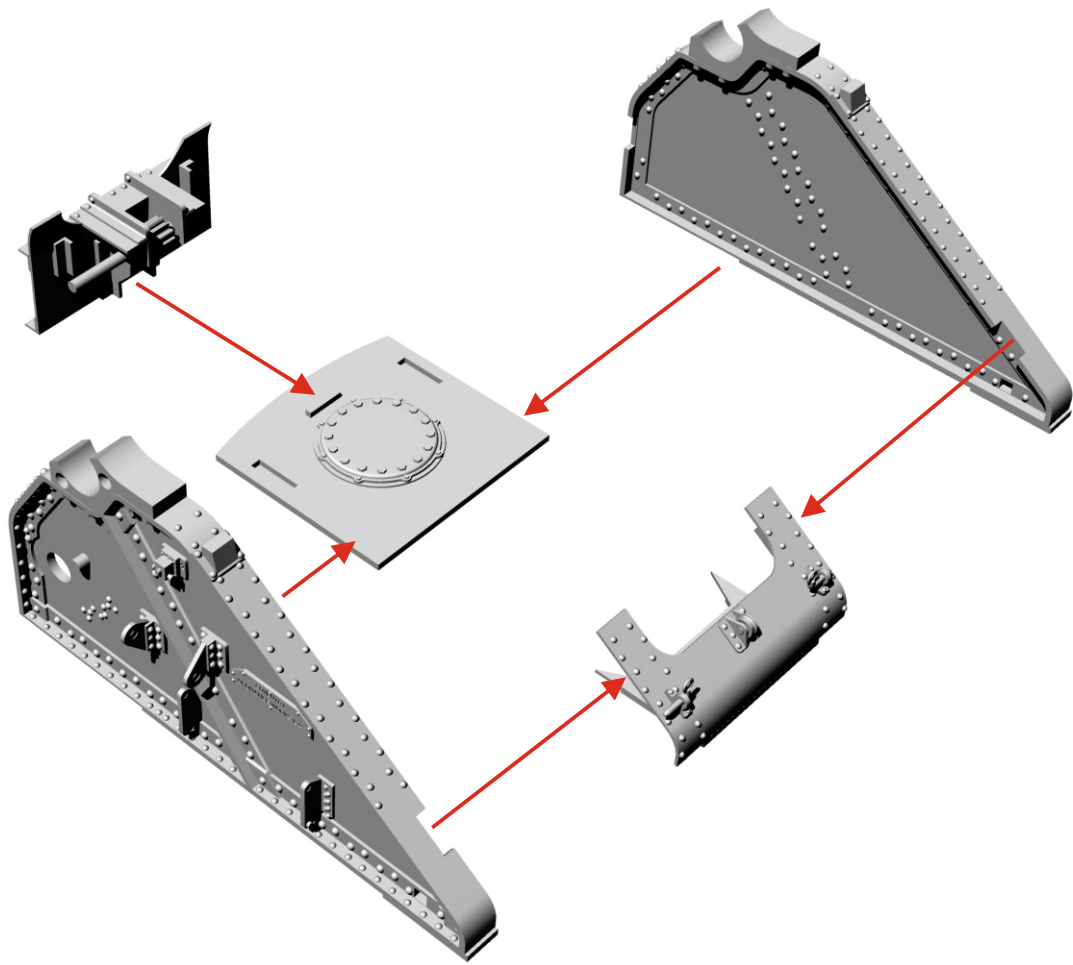


Do not glue

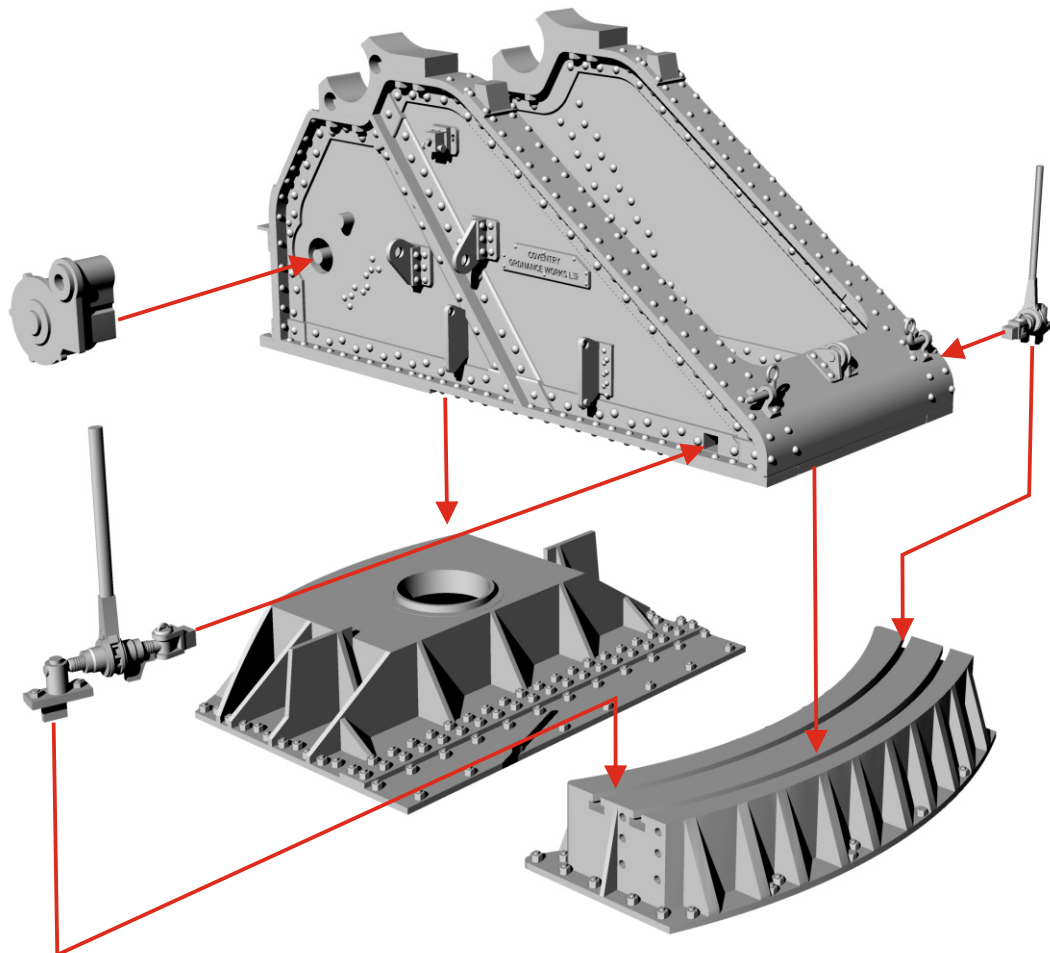


Glue

W 0,6mm - wire diameter



**5**

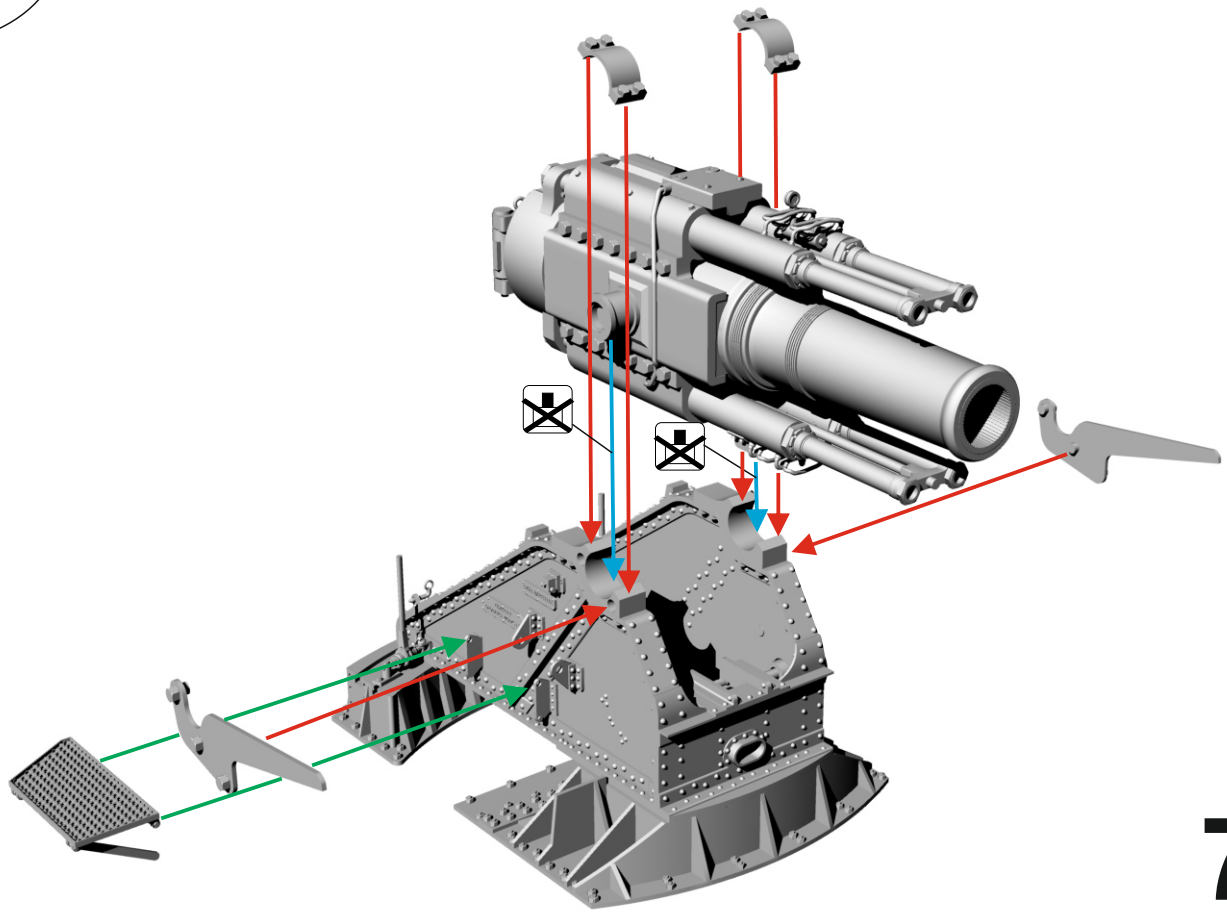


**6**

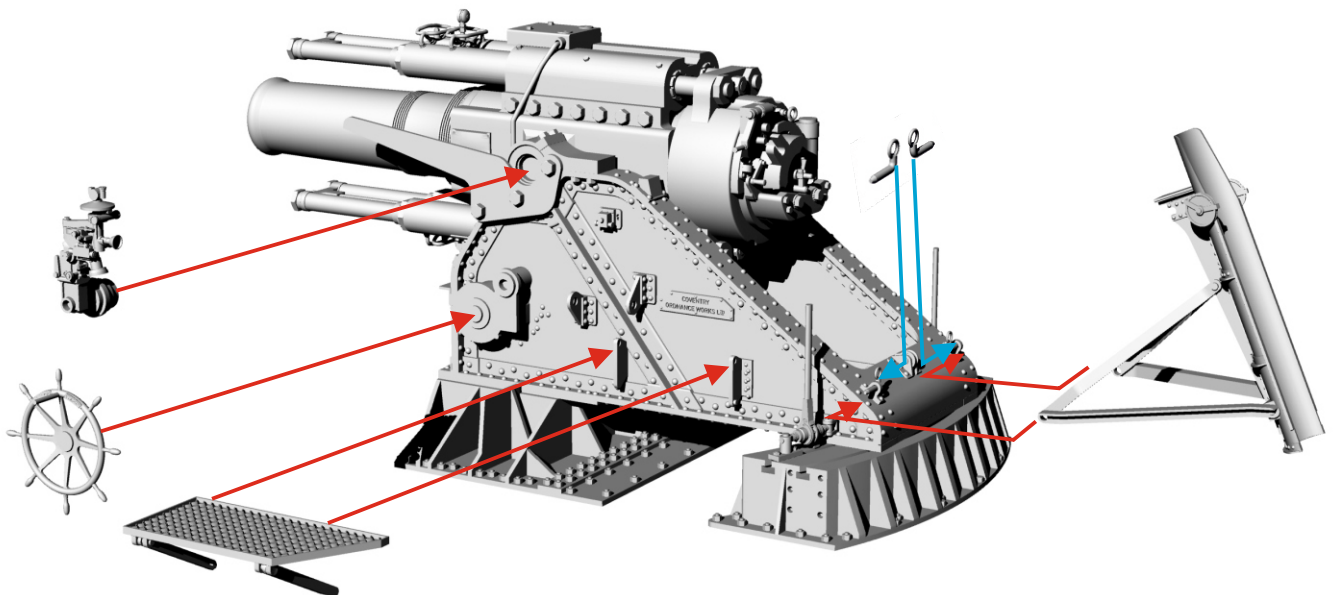


*English 15-inch B.L. howitzer,  
Mark I. Coventry pattern, 1916*

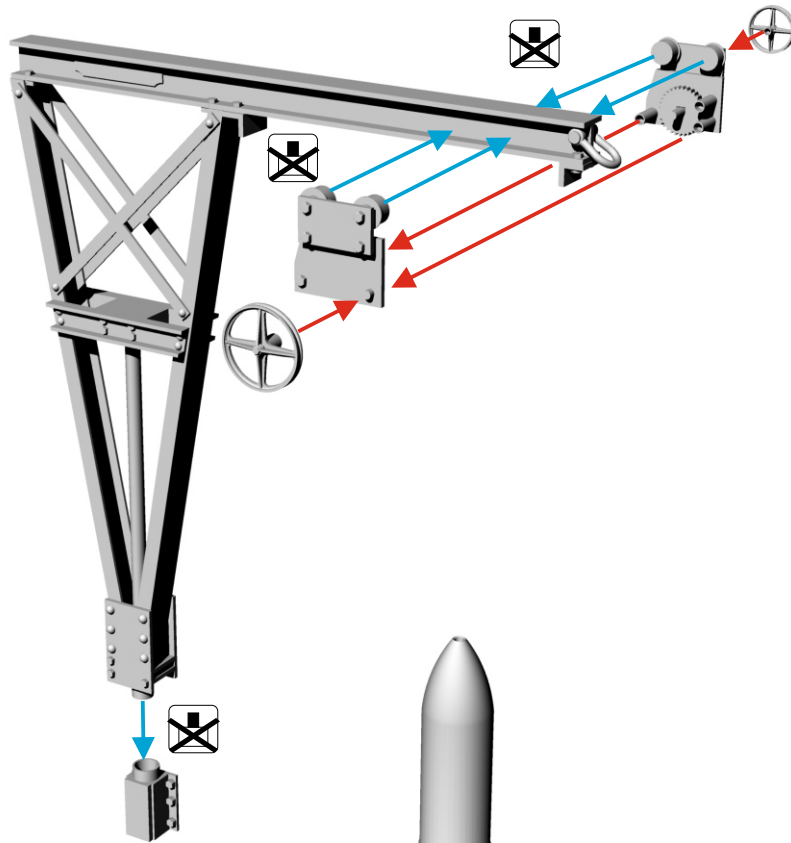
GM122 1/35



7



8

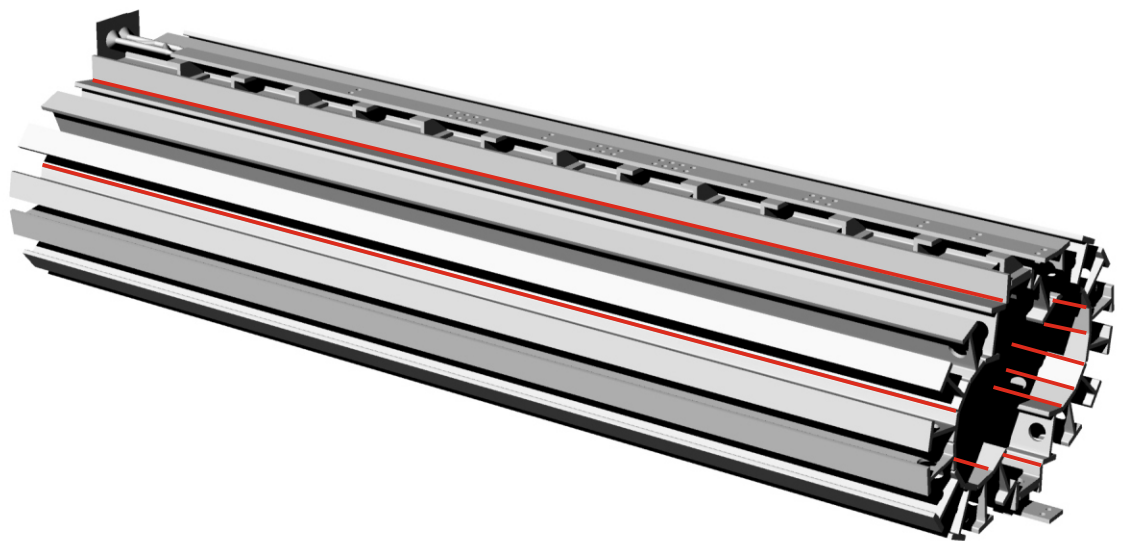
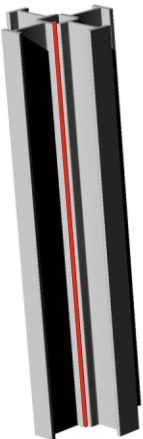


(installation see fig. 12a or 12b)



**9**

separate all beams along the red lines



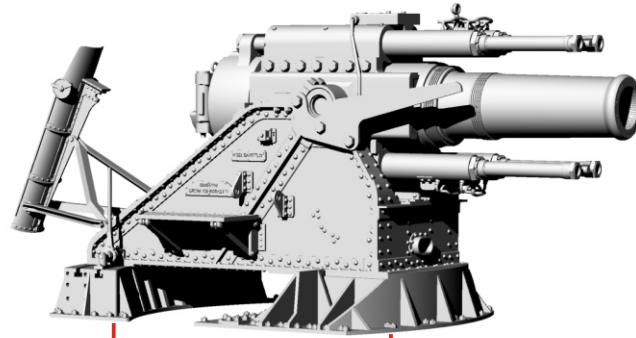
**10**



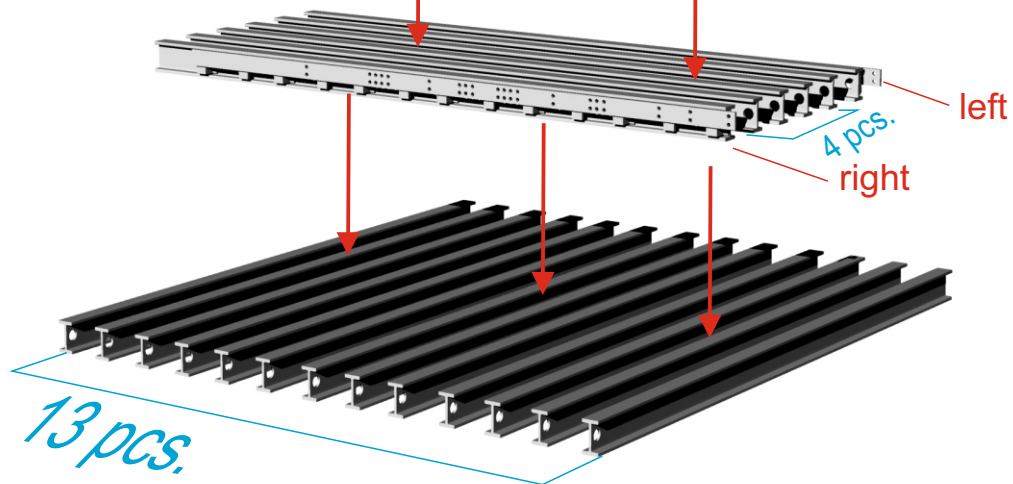


*English 15-inch B.L. howitzer,  
Mark I. Coventry pattern, 1916*

*GM122 1/35*



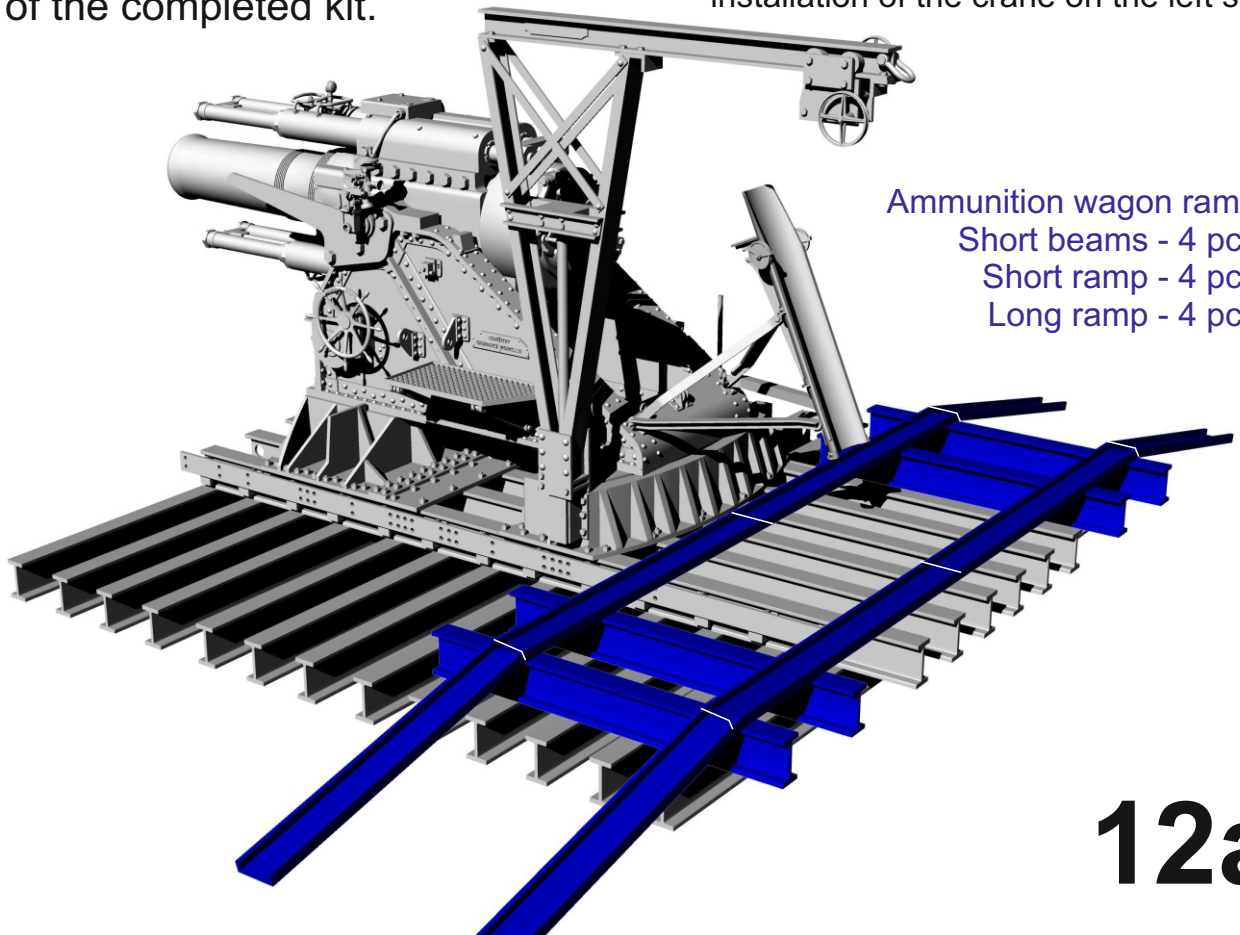
long beams - 17 pcs.  
long side beams - 2 pcs. (right, left)



**11**

View of the completed kit.

installation of the crane on the left side



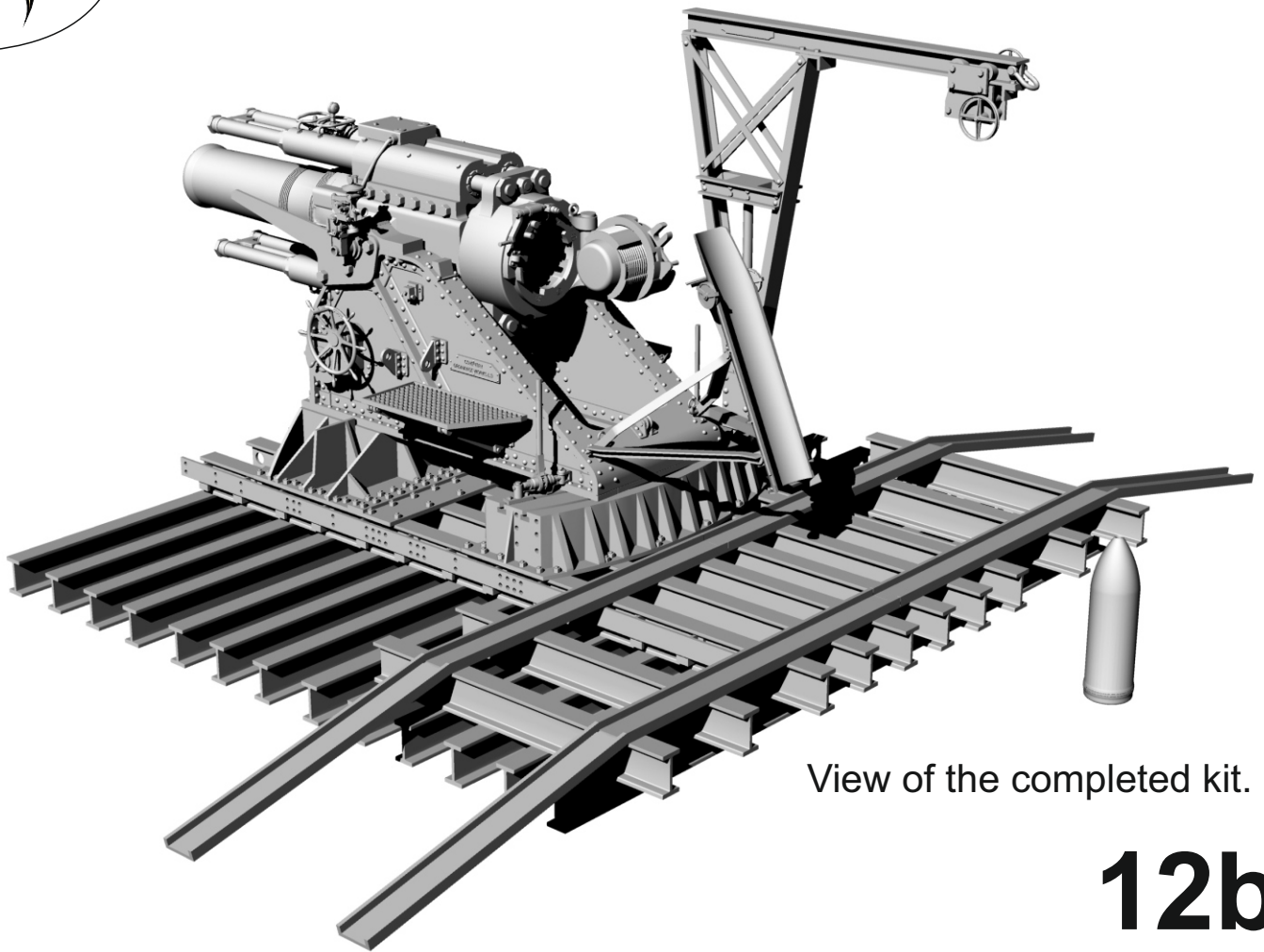
**12a**



*English 15-inch B.L. howitzer,  
Mark I. Coventry pattern, 1916*

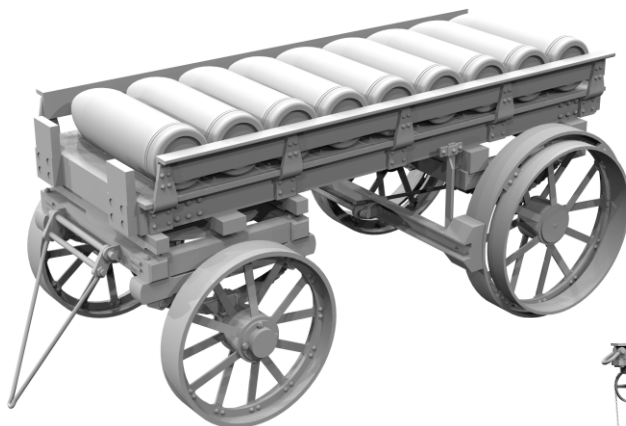
*GM122 1/35*

① installation of the crane on the right side



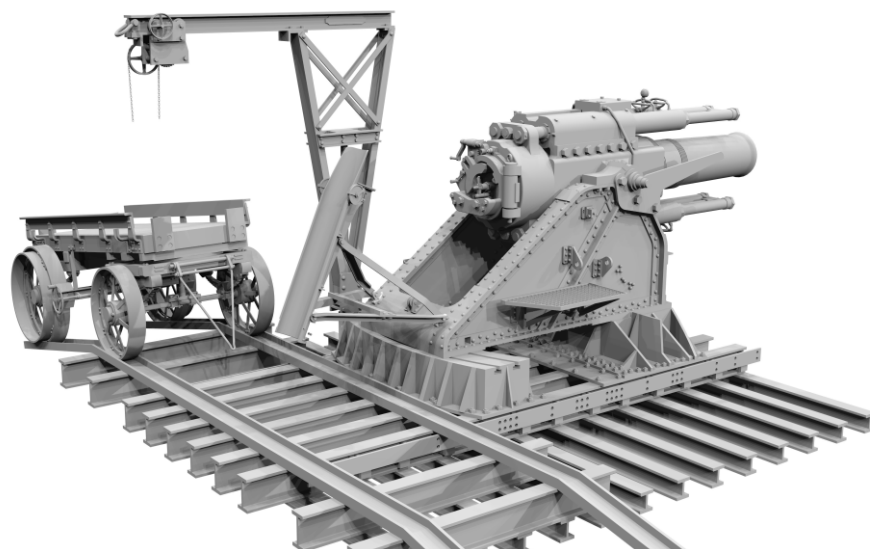
View of the completed kit.

**12b**



*Ammunition wagon  
(not included in kit GM 122)*

**GM122/1**



artmaquette@mail.ru



St.George model